




Husqvarna[®]



US

Operator's manual

Please read the operator's manual carefully and make sure you understand the instructions before using the machine.

UE

Manual de instrucciones

Lea detenidamente el manual de instrucciones y asegúrese de entender su contenido antes de utilizar la máquina.

CA

Manuel d'utilisation

Lire attentivement et bien assimiler le manuel d'utilisation avant d'utiliser la machine.



FS 513

FS 520

FS 524

CONTENTS and INTRODUCTION

Section	Contents	Page
Contents & Introduction.....		3
Symbols and Decals.....		4-8
Safety Instructions.....		9-12
Parts Identification (What Is What).....		14-16
Assembly.....		17-21
Operation		22-27
Maintenance & Lubrication		28-33
Trouble Shooting Guide.....		34
Wiring diagram.....		35-38
Technical Data.....		39-40
Accessories.....		41
Conformity Certificates.....		42
Contact Information.....		43

Introduction

Thank you for purchasing your new machine from Husqvarna Construction Products. We have provided important safety messages in this manual and on the machine. Please read these messages carefully. A safety message alerts you to potential hazards that could hurt you or others. Each safety message is preceded by a symbol or the safety alert symbol (⚠) and one of two words, **WARNING**, or **CAUTION**.

These signal words mean:

⚠ WARNING: Indicates a hazardous situation which, if not avoided COULD result in death or serious injury.

⚠ CAUTION: Indicates a hazardous situation, which, if not avoided, COULD result in minor or moderate injury. It may also be used to alert against unsafe practices.

Each message tells you what the hazard is, what can happen, and what you can do to avoid or reduce injury. Other important messages are preceded by the word **NOTICE**.

NOTICE means:

NOTICE: Indicates a hazardous situation which, if not avoided, could result in property damage. Your machine or other property can be damaged if you don't follow this instruction.

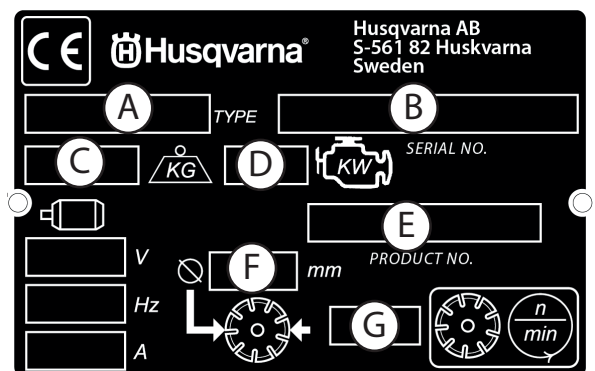
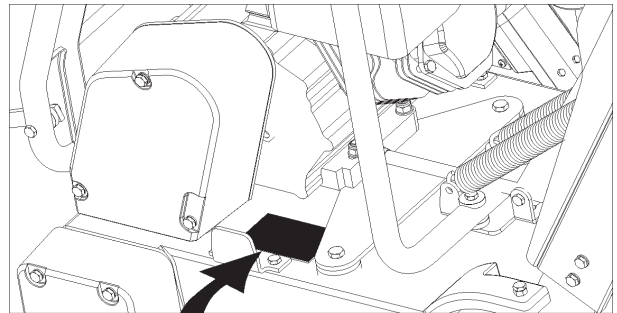
The safety labels should be periodically inspected and cleaned by the user to maintain good legibility at a safe viewing distance. If the label is worn, damaged, or is illegible, it should be replaced.

⚠ WARNING!



Before operating machine, read and understand this entire operation manual & engine operation manual supplied with engine. Be familiar with machine before operation!

Model Identification: Record machine serial number plate information below for future reference



A. Model: _____

B. Manufacturing date, year, week, serial number: _____

C. Mass of Machine (kg) _____

D. Engine Power (KW) _____

E. Product Number _____

F. Blade Diameter (mm) _____

G. Blade Speed (Revolutions / Minute) _____

Other information not shown on machine serial plate:

Engine Serial No: _____

See Engine Operation Manual for location.

Purchase Date: _____

SYMBOLS and DECALS



Please read the instructions for use prior to operating the machine for the first time.



This symbol indicates that the machine is in conformance with the applicable European directive.



Mandatory



Indication



Prohibition



Warning Triangle



Wear Eye Protection



Wear Breathing Protection



The use of hearing protection is mandatory



Wear Head Protection



Wear Safety Shoes



Wear Appropriate Clothing



Remove the blade prior to Hoisting, Loading, Unloading and Transporting the Machine.



Machine stop, Transmission Stop



Use In Well Ventilated Area



Do Not Use In Flammable Areas



Machinery Hazard, Keep hands and Feet Clear.



Muffler Hot. May Cause Burns and / or Ignition of Material. Avoid Contact.



Danger, Poison Exhaust Gas



No Non-working Personnel In Area



No Smoking



Do Not Operate Without Blade Guard in Place



Always Keep All Guards In Place



Water Supply On



Water Supply Off



Water Supply

SYMBOLS and DECALS



Blade Water Safety Switch



Engine Coolant Temperature



Keep Work Area Clean/Well Lit, Remove All Safety Hazards



Dangerously High Noise Level



Pay Extreme Attention to The Care And Protection Of The Machine Before Starting Up



Remove Tools From Area and Machine



Engine Oil Pressure



Oil Required



Dipstick, Maintain Proper Oil Level



Lubrication Point



High Speed



Low Speed



Electrical Switch-Off



Electrical Switch-On



Electrical Switch-Start



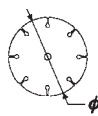
Repairs Are To Be Done By An Authorized Dealer Only



Headlight



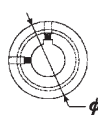
Diamond Blade



Blade Diameter



Blade Engagement



Pulley diameter



Number of Revolutions Per Minute, Rotational Speed



Blade Flange Diameter



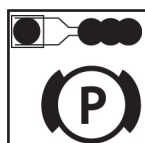
Blade Depth Stop



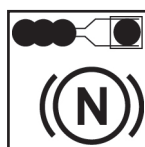
Cutting Depth Indicator – Depth of Cut



Parking Brake



Parking Brake - Engage



Parking Brake - Dis-engage

SYMBOLS and DECALS



Machine Mass (Kilograms)



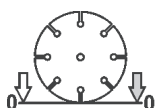
Engine Stop



Positive Battery Terminal



Engine Start



Blade Depth Indicator – Zero



Engine Run



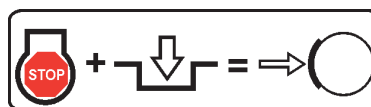
Electric Motor



Disengage to Start Engine (Neutral Start)



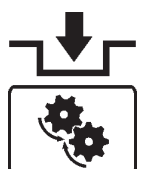
Engine



Stop Engine and Engage Transmission to Engage Parking Brake



Engine Speed Revolutions/Minute



Engage Transmission



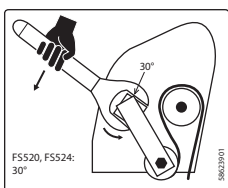
Engine Start



Disengage Transmission



Unleaded Fuel Only



30° Wrench



Arrow on tool guard indicating the direction of tool rotation.



Noise emission to the environment according to the European Community's Directive. The machine's emission is specified in the Technical data chapter and on the label.

SYMBOLS and DECALS

FS 513

P/N 542 19 07-08 (2)
Location: Left and Right Side of Cowl
(FS 513 Only)



P/N 542 19 07-33
Location: Front of Cowl

FS 520

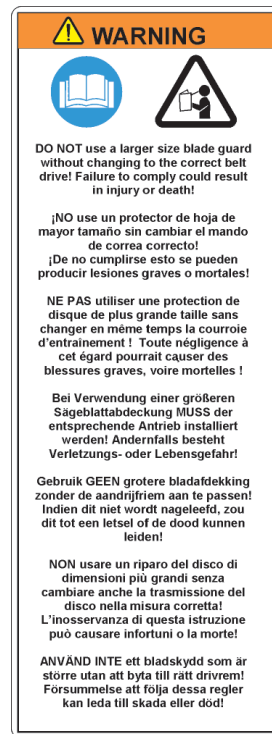
P/N 542 19 07-09 (2)
Location: Left and Right Side of Cowl
(FS 520 Only)

FS 524

P/N 542 19 07-10 (2)
Location: Left and Right Side of Cowl
(FS 524 Only)



P/N 578077501
Location: Upper RH Frame
(FS 520, FS 524 Only)

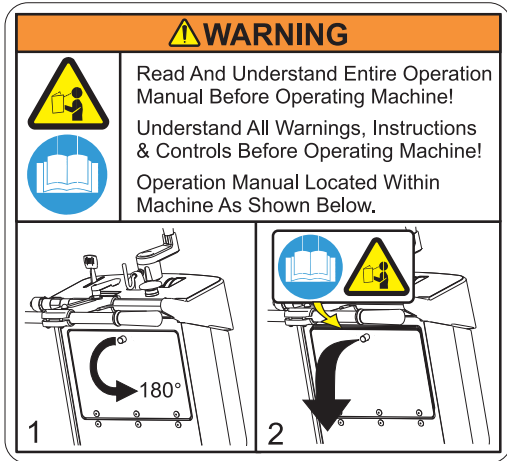


P/N 542 16 72-98 (2x)
Location: Left and Right Side
of Blade Guard (FS 513, 520 Only)



P/N 542 19 05-89
Location: Depth Gauge

SYMBOLS and DECALS



P/N 542 19 05-93
Location: Rear of Cowl



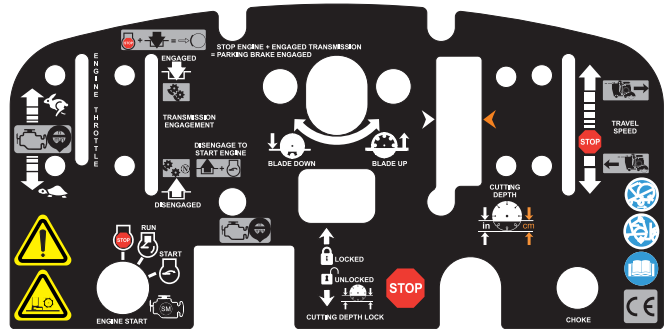
P/N 542 19 06-17
Location: Water Tank (If Equipped)



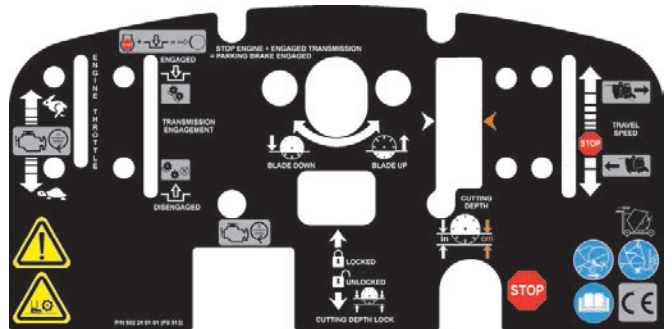
P/N 542 16 90-65
Location: Top of Belt Guard

PATENT PENDING

P/N 542 16 12-35 PATENT PENDING
Location: Upper RH Frame



P/N 502 24 01-03
Location: Top of Cowl, FS 520, FS 524



P/N 502 24 01-01
Location: Top of Cowl, FS 513






P/N 542 19 06-38
Location: Rear of Cowl










P/N 542 19 06-39
Location: Frame Near Fuel Fill
(FS 520, FS 524)


SAFETY INSTRUCTIONS


General use


 WARNING!	
	Before operating machine, read and understand this entire operation manual & engine operation manual supplied with engine.
	Be familiar with machine before operation!

  	Operator must wear personal protective equipment & clothing appropriate to the work he is doing. Personal protective equipment, such as hearing & eye protection, is mandatory.
  	


	The working area must be completely clear, well lit and all safety hazards removed.
---	--

	Any persons not involved in the work, should leave the area.
--	---


	WARNING! Do not contact the tool when machine is in operation.
---	---


	WARNING! The bladeshaft rotates when the engine is cranked or started.
---	---

Fuel Safety:

	WARNING! Take care when handling fuel. Bear in mind the risk of fire, explosion and inhaling fumes.
---	--

- Only store fuel in containers approved for the purpose.
- Only refuel machine with engine OFF. Never remove fuel cap and fill the fuel tank while the engine is running.
- Always refuel in a well ventilated area.
- Never fill a fuel tank indoors.
- Allow engine to cool before refueling.

	Never fuel machine in vicinity of sparks or flames. Do not use machine in flammable area.
---	--

	Do not smoke while fueling or using the machine.
---	---

- Move machine 10 feet (3 meters) from refueling point before starting engine.
- Never start the machine:
 - 1) If fuel has been spilled on the machine. Wipe off spillage and allow remaining fuel to evaporate.
 - 2) If you have spilled fuel on yourself or your clothes. Use soap and water to wash any part of your body that has come in contact with fuel.
 - 3) If the machine is leaking fuel. Check regularly for leaks from the fuel cap and fuel lines.
- Store and transport machine and fuel so that there is no risk of any leakage or fumes coming into contact with sparks or flames, for example, electrical machinery or electric motors, electrical relays / switches, or boilers.



DUST WARNING

Cutting, especially when DRY cutting, generates dust that comes from the material being cut, which frequently contains silica. Silica is a basic component of sand, quartz, brick clay, granite and numerous other minerals and rocks. Exposure to excessive amount of such dust can cause:

- Respiratory diseases (affecting your ability to breath), including chronic bronchitis, silicosis and pulmonary fibrosis from exposure to silica. These diseases may be fatal;
- Skin irritation and rash; and
- Cancer according to NTP* and IARC*

* National Toxicology Program, International Agency for Research on Cancer

Take precautionary steps

- Avoid inhalation of and skin contact with dust, mist and fumes;
- Wet cut when feasible, to minimize dust;
- Wear and ensure that all bystanders wear appropriate respiratory protection such as dust masks designed to filter out microscopic particles. (See OSHA 29 CFR Part 1910.1200)

California Prop 65 Warning:

Use of this product can cause exposure to materials known to the State of California to cause cancer and/or birth defects or other reproductive harm.

SAFETY INSTRUCTIONS



WARNING POISON EXHAUST GAS



THIS SAW IS SHIPPED FROM THE FACTORY *WITHOUT A CATALYTIC CONVERTER*. THE ENGINE PRODUCES CARBON MONOXIDE EXHAUST EMISSIONS AND IS ***NOT SAFE*** FOR USE IN ENCLOSED AREAS. USE OF A CATALYTIC CONVERTER REDUCES THE CARBON MONOXIDE EXHAUST EMISSIONS, BUT STILL IS ***NOT SAFE*** FOR USE IN ENCLOSED AREAS.

USE ONLY IN WELL-VENTILATED AREAS. WORK SITE AIR QUALITY MUST COMPLY WITH OSHA 29 CFR 1910.1000 PER TABLE Z-1, LIMITS FOR AIR CONTAMINANTS.

MONITOR WORKSPACE AIR QUALITY TO INSURE COMPLIANCE. FAILURE TO COMPLY WILL RESULT IN DANGER TO LIFE AND CAUSE PERMANENT INJURY OR DEATH.

General Information

Carbon monoxide (CO) has the distinction of being one of the few commonly encountered industrial gasses that is both highly toxic (poison) and odorless. When inhaled, CO acts as a chemical asphyxiant by preferentially combining with hemoglobin in the blood stream. As a result, the hemoglobin is not able to transport its normal amount of oxygen, which results in under-oxygenation of tissues. Symptoms of low-level CO exposure include headaches, dizziness, confusion, and nausea. **However, loss of consciousness, permanent injury and death may result from continued or more intense exposure.** Because of the health hazards associated with CO inhalation, the Occupational Safety and Health Administration (OSHA) have imposed personal exposure limits. The OSHA exposure limits, which are specified in the 29 CFR 1910.1000 (1998 Revision), allow for a 200 PPM Ceiling Limit and a TWA of 35 PPM per 8-hour shift/40-hr workweek. It is strongly recommended that the OSHA 29 CFR 1910.1000 (Code of Federal Regulations) be consulted for more information on exposure limits for various hazardous materials. If CO Poisoning is suspected immediately remove the victim to fresh air and obtain emergency medical attention.

Proper Ventilation:

THIS SAW IS SHIPPED FROM THE FACTORY *WITHOUT A CATALYTIC CONVERTER*. It is important to be aware that saws with catalytic converters reduce CO and hydrocarbon (HC) emissions. The exhaust still contains CO. If the workspace is too confined or under-ventilated, CO may accumulate until it eventually exceeds OSHA limits. When this happens, action must be taken to remove workers from areas of high concentration. Operators and work area supervisors should take precautions to insure adequate ventilation of the workspace at all times. Carbon monoxide detection monitors should be used to determine that adequate ventilation exists.



WARNING HEARING HAZARD

DURING NORMAL USE OF THIS MACHINE, OPERATOR MAY BE EXPOSED TO A NOISE LEVEL EQUAL TO **85 dB (A)** OR GREATER. TEMPORARY AND/OR PERMANENT DAMAGE TO HEARING MAY RESULT. HEARING PROTECTION REQUIRED.

NOTES

SAFETY INSTRUCTIONS

SAFETY FIRST!



WARNINGS

DO's AND DO NOT's



WARNING: FAILURE TO COMPLY WITH THESE WARNINGS AND OPERATING INSTRUCTIONS COULD RESULT IN DEATH OR SERIOUS BODILY INJURY.

DO

- DO Read this entire operator's manual before operating this machine. Read and understand all warnings, instructions, controls, and symbol definitions contained in this manual, and on the machine.
- DO always give a copy of this manual to the equipment user. If you need extra copies, call TOLL FREE 1-800-288-5040 in USA, or +1-913-928-1300 for International, or see "contact information" section of this manual.
- DO keep all guards in place and in good condition.
- DO wear safety approved hearing, eye, head and respiratory protection.
- DO read and understand all warnings and instructions on the machine.
- DO keep all parts of your body away from the blade and all other moving parts.
- DO know how to stop the machine quickly in case of emergency.
- DO shut off the engine and allow it to cool before refueling or doing maintenance.
- DO inspect the blade, flanges and shafts for damage before installing the blade.
- DO use the blade flange size shown for each blade size.
- DO use only steel center diamond blades manufactured for use on concrete saws.
- DO use only the blade flanges supplied with the saw. Never use damaged or worn blade flanges.
- DO use only blades marked with a maximum operating speed greater than the blade shaft speed. Verify speed by checking blade shaft rpm and pulley diameters and blade flange diameters.
- DO verify saw drive configuration by checking blade shaft RPM, pulley diameters, and blade flange diameter.
- DO read all safety materials and instructions that accompany any blade used with this machine.
- DO inspect each blade carefully before using it. If there are any signs of damage or unusual wear, **DO NOT USE THE BLADE.**
- DO mount the blade solidly and firmly, Wrench tighten the arbor nut.
- DO make sure the blade and flanges are clean and free of dirt and debris before mounting the blade on the saw.
- DO use the correct blade for the type of work being done. Check with blade manufacturer if you do not know if blade is correct.
- DO use caution and follow the instructions when loading and unloading the machine.
- DO operate this machine only in well ventilated areas. Breathing Poison Exhaust Gas could result in death.
- DO instruct bystanders on where to stand while the machine is in operation.
- DO establish a training program for all operators of this machine.
- DO clear the work area of unnecessary people. Never allow anyone to stand in front of or behind the blade while the engine is running.
- DO make sure the blade is not contacting anything before starting the engine.
- DO use caution when lifting and transporting this machine.
- DO always tie down the machine when transporting.
- DO use caution and follow instructions when setting up or transporting the machine.
- DO have all service performed by competent service personnel
- DO verify the blade arbor hole matches the machine spindle before mounting the blade.
- DO always check for buried hazards, such as electrical or gas lines before sawing. Always contact local utilities before operation in unknown areas.
- DO move the machine at least 10 feet (3 meters) from the fueling point before starting the engine and make sure the fuel cap is on the machine and properly tightened.
- DO lift machine only from specified lifting point.
- DO clean the machine after each day's use.
- DO use the proper blade flange size for each blade size. Never use damaged or worn blade flanges.
- DO use caution when handling fuel.
- DO only cut in a straight line, and only saw as deep as the job specifications require.

SAFETY INSTRUCTIONS

SAFETY FIRST!



WARNINGS DO's AND DO NOT's



WARNING: FAILURE TO COMPLY WITH THESE WARNINGS AND OPERATING INSTRUCTIONS COULD RESULT IN DEATH OR SERIOUS BODILY INJURY.

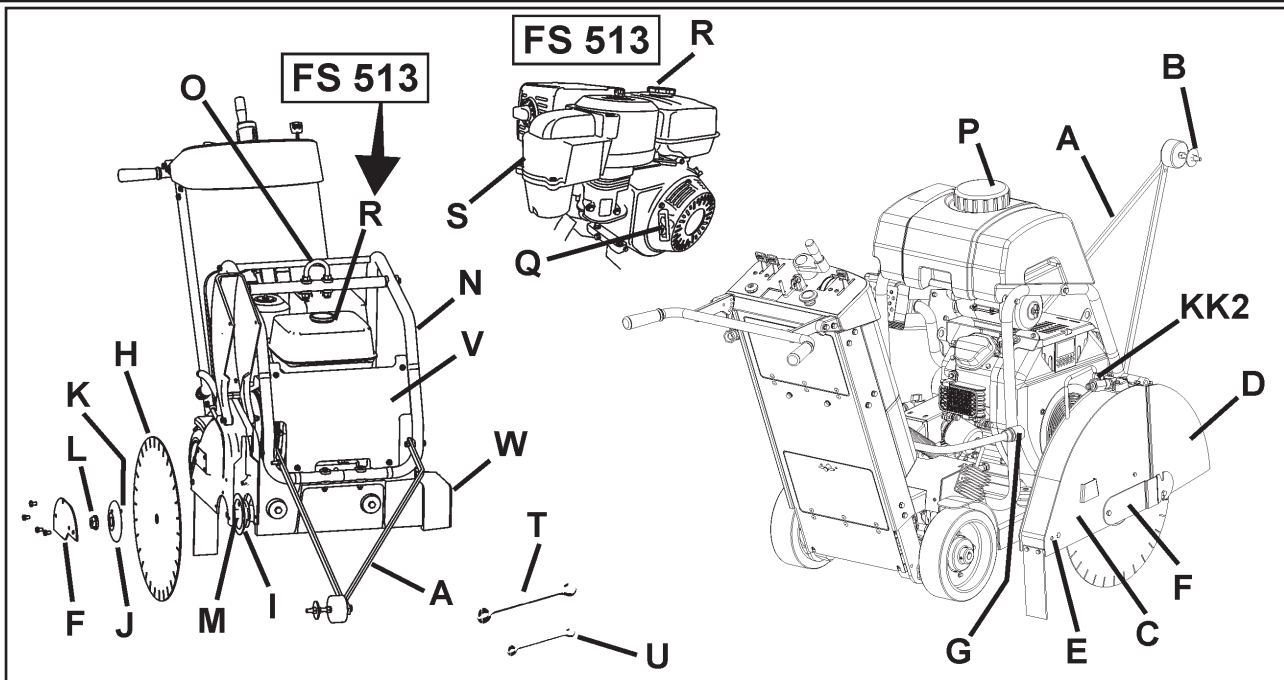
DO NOT

- DO NOT** operate this machine unless you have read and understood this operator's manual.
- DO NOT** operate this machine without the blade guard, or other protective guards in place.
- DO NOT** stand behind or in front of the blade path while the engine is running.
- DO NOT** leave this machine unattended while the engine is running.
- DO NOT** work on this machine while the engine is running.
- DO NOT** operate this machine when you are tired, fatigued or under the influence of drugs or alcohol.
- DO NOT** use a wet blade without adequate water supply to the blade.
- DO NOT** exceed maximum blade speed shown for each blade size. Excessive speed could result in blade breakage.
- DO NOT** operate the machine if you are uncertain of how to run the machine.
- DO NOT** use damaged equipment or blades.
- DO NOT** touch or try to stop a moving blade with your hand.
- DO NOT** cock, jam, wedge or twist the blade in a cut.
- DO NOT** transport a cutting machine with the blade mounted on the machine.
- DO NOT** use a blade that has been dropped or damaged.
- DO NOT** use carbide tipped blades.
- DO NOT** touch a dry cutting diamond blade immediately after use. These blades require several minutes to cool after each cut.
- DO NOT** use damaged or worn blade flanges.
- DO NOT** allow other persons to be near the machine when starting, refueling, or when the machine is in operation.
- DO NOT** operate this machine in an enclosed area. Breathing Poison Exhaust Gas could result in death.
- DO NOT** operate this machine in the vicinity of anything that is flammable. Sparks could cause a fire or an explosion.
- DO NOT** allow blade exposure from the guard to be more than 180 degrees.
- DO NOT** operate this machine with the belt guards or blade guard removed.
- DO NOT** operate this machine unless you are specifically trained for its operation.
- DO NOT** use a blade that has been over heated (Core has a bluish color).
- DO NOT** jam material into the blade.
- DO NOT** grind on the side of the blade.
- DO NOT** tow this machine behind a vehicle.
- DO NOT** operate this machine with the any guards or shields removed.
- DO NOT** cut deeper than 1" per pass with a dry blade. Step cut to achieve deeper cuts.
- DO NOT** operate this machine while under the influence of drugs or alcohol.

This saw was designed for certain applications only. DO NOT modify this saw or use for any application other than for which it was designed. If you have any questions relative to its application, DO NOT use the saw until you have written Husqvarna Construction Products and we have advised you.

**Husqvarna Construction Products North America
17400 West 119th Street, Olathe, Kansas 66061 USA**

PARTS IDENTIFICATION (WHAT IS WHAT)



A. Front Pointer: Use to Guide machine in a straight line.

B. Guide Wheel: On Front Pointer (A). Align to cutting line and Blade (H) to produce straight cuts.

C. Blade Guard: Covers Blade (H). Must always be in place when operating machine! Note tool direction as marked on guard with an arrow.

D. Blade Guard Front: Part of Blade Guard. Can be raised to install Blade (H).

E. Blade Guard Rear Bolt: Holds Blade Guard (C) in position. Must be removed and relocated if Blade Guard (C) is moved.

F. Blade Guard Latch Plate: Covers Outer Flange (J).

G. Water Hose Disconnect (G): Connects Blade Guard (C) to Water Control Valve (KK1, KK2) or Water Tank (P). Can be used when Blade Guard (C) is mounted to left or right side of machine

H. Blade: Tool that cuts asphalt or concrete material – not included with machine.

I. Inner Flange: Arbor on which the Blade (H) is mounted. Replace if Damaged or worn.

J. Outer Flange: Used to hold Blade (H) in position. Contains Locking Pin (K) that must go through Blade (H). Replace if damaged or worn.

K. Locking Pin: Holds Blade (H) in position. Replace if Damaged or worn.

L. Blade Shaft Nut (L1 / L2): Holds Outer Flange (J) to machine. Nut (L1) on right side of machine has Left Hand threads. Nut (L2) (not shown) on left side of machine has Right Hand threads.

M. Blade Arbor: Blade (H) mounts on this surface.

N. Water Tank / Lifting Point Support: Holds Water Tank (P). Supports Lifting Point (O).

O. Lifting Point: Lift machine only from this point!

P. Water Tank (If Equipped): 25 Liter (6.6 U.S. Gallon) water capacity. Fill only with water! Do not fill with gasoline or other flammable substances! Use only for dust suppression when cutting dry. Use only with laser welded (dry) Diamond Blades (H).

Q. Engine Starting Rope (FS 513 Only): Use to start engine. See engine operation manual.

R. Fuel Tank: Fuel fill point.

FS 520 / FS 524: Located at rear of machine. Fuel fill is located on Left hand side of fuel tank.

FS 513: Located on engine - See engine operation manual.

S. Engine Air Cleaner (FS 513 Shown): Check daily. Clean every four (4) hours if cutting in dusty conditions. See engine operation manual and maintenance section of this document.

T. Blade Shaft Wrench (27mm): Use for installing and removing Blade (H). Store in Tool Compartment (BB).

U. Wrench (13mm): Use for many maintenance items on machine. Store in Tool Compartment (BB).

V. Front Cover: Clips to Water Tank Support (N). Open to turn Engine Start Switch (DD) ON (1) or OFF (0) [FS 513 Only].

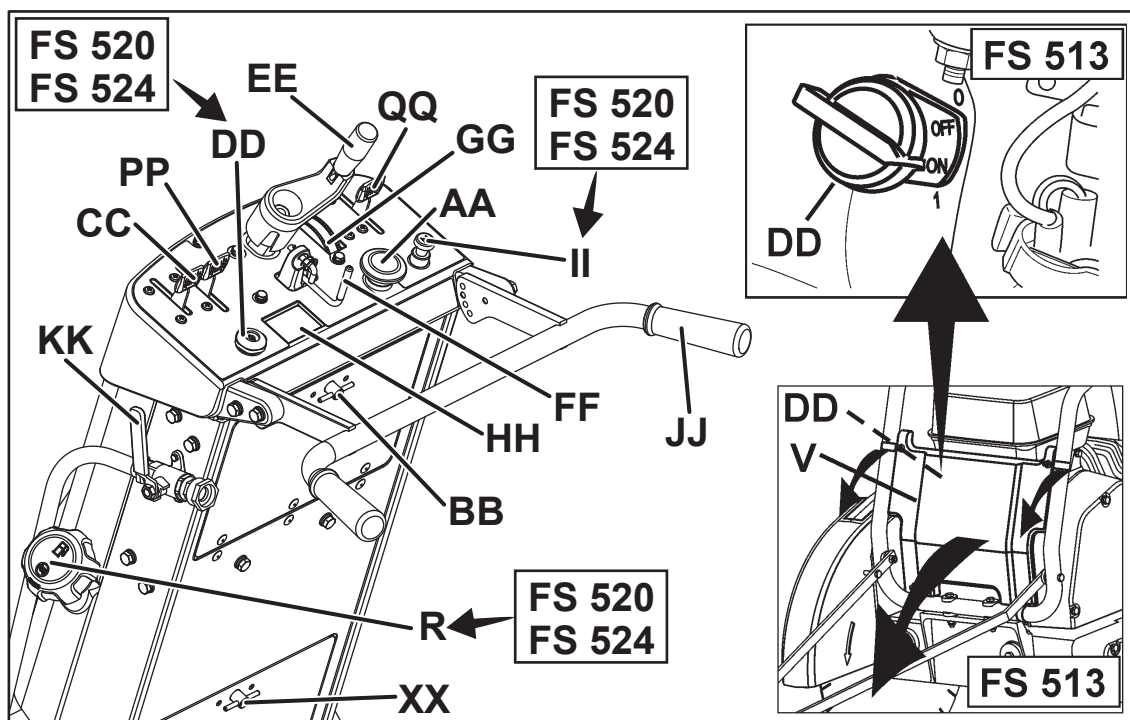
W. Shaft Guard: Protects Inner Flange (I). Always installed on opposite side of frame to Blade Guard (C).

X. Depth Control Grease Fitting: Not Shown. See Maintenance section of this document.

Y. Blade Guard Mounting Spade: Holds Blade Guard (C) in position.

Z. Engine Oil Dipstick: Use to check engine oil level (Not Shown – See Operation Section of this document).

PARTS IDENTIFICATION (WHAT IS WHAT)



AA. Machine Stop: Depress Switch to STOP engine in emergencies. Reset by pulling outward (pull up) to allow re-starting of machine.

BB. Tool Compartment: Contains Operation Manual, Parts List, & two wrenches (T & U) (13mm & 27mm). Open by turning knob 180 degrees. Always return Operation Manual to this area for future reference.

CC. Engine Throttle: Controls Engine speed (RPM). Push forward to increase engine speed. Pull backwards to decrease engine speed. All sawing is done at maximum engine speed.

DD. Engine Start Switch:

FS 513: Located on engine, behind Front Cover (V). Must be ON (1) to start engine. Use to turn engine OFF ("0") in non-emergency situations.

FS 520 & FS 524 (Electric Start): A key switch located on lower left side of console. Turn key clockwise to start engine.

EE. Blade Depth Control: Turn Counter-Clockwise to raise Diamond Blade (H) and Clockwise to lower Diamond Blade (H).

FF. Blade Depth Stop: To Lock Blade Depth Control (EE) in position. Pull Blade Depth Stop toward rear of machine and turn 90 degrees to lock in open position.

GG. Blade Depth Indicator: Shows cutting depth of Diamond Blade (H) in centimeters (orange color) and inches (white color). Operation: With engine OFF ("0"), lower Diamond Blade (H) until it contacts the cutting surface. Rotate Blade Depth Indicator to align "0" with arrows. Raise Saw. When saw is lowered into cut, current cutting depth is shown.

HH. Engine Tachometer (RPM): Shows engine speed in revolutions per minute if engine is running. Shows total operation time when engine is OFF ("0"). Total operation time shown in minutes from 0-59 minutes, and hours for 60+ minutes.

II. Engine Choke Knob: If the engine is cold, use the choke. Pull the knob up to engage the choke. Push down to disengage after engine starts. Please see the engine Operator's Manual for more information.

JJ. Rear Handle: Operator position is behind machine with both hands on Rear Handle. Handle is adjustable to several positions.

KK1. Water Control Valve: Controls water flow to blade. Located on Left side of machine, near Rear Handle (JJ). Not used with the water tank (if equipped).

KK2. Blade Guard Water Control Valve: Controls the water flow to the blade. Located on blade guard. Used with water tank (if equipped).

LL. Belt Guard (Not Shown): Covers engine drive belt.

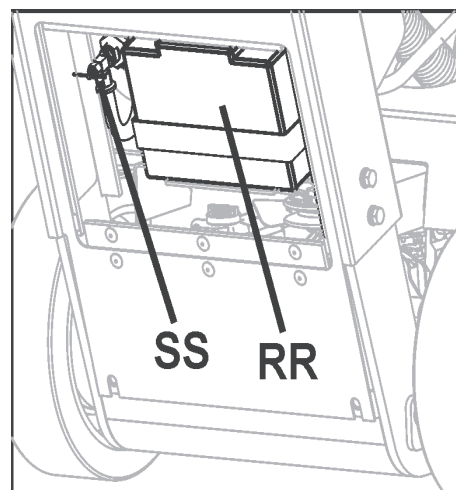
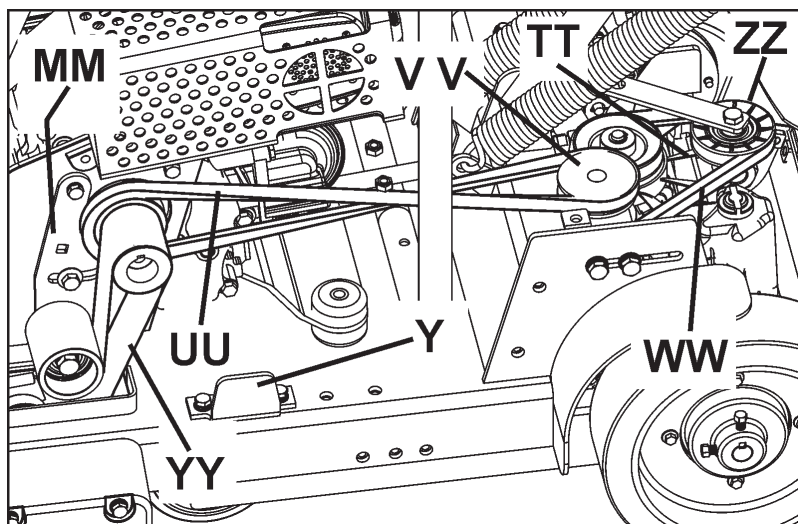
MM. Belt Drive Idler: Used to hold tension on Blade Shaft Drive Belt.

NN. Oil Drain Hose: Use to remove oil from engine.

OO. Parking Brake (EU units): Used to hold machine in parked position. With engine OFF (0), apply the brake by moving Transmission Engagement Lever (PP), to the "Engaged" position. Move lever to dis-engaged position before starting engine!

PP. Transmission Engagement Lever: MUST BE in rear (dis-engaged) position to start engine for FS 520 and FS 524 (Neutral Start function). Push forward to engage transmission. Push rearward to dis-engage transmission. With transmission dis-engaged, machine can be moved with engine turned OFF (0). See "OO. Parking Brake" for additional information.

PARTS IDENTIFICATION (WHAT IS WHAT)



QQ. Travel Speed Lever: Controls ground travel speed and direction of machine (forward or reverse). Move lever forward to travel forward. Move lever rearward to travel backward. Lever **MUST** be near "STOP" position before moving Transmission Engagement Lever (PP) into "Engaged" position.

RR. Starting Battery (FS 520, FS 524 Only): Located behind lower access panel at the rear of machine. See "Battery Maintenance" section of this document for instructions on charging and maintenance.

SS. Fuel Shut-Off Valve: Used to shut off fuel supply to engine.

FS 520 / FS 524: Located behind lower access door at rear of machine. Turn counter-clockwise to close.

FS 513: Located on engine (see engine operation manual for more information).

TT. Hydrostatic Transmission: Controls travel speed and direction of machine. Maintenance free for the life of the machine.

UU. Transmission Drive Tensioner Belt: Connects Engine to Transmission Drive Belt Tensioner (VV). Check periodically for wear on belt and sheaves.

V V. Transmission Drive Tensioner: Used to tension Transmission Drive Belt (UU). See maintenance section of this document for more information.

WW. Hydrostatic Transmission Belt: Drives Hydrostatic Transmission (TT). Connects Transmission Drive Belt Tensioner (VV) to Hydrostatic Transmission (TT). See maintenance section of this document for more information.

XX. Lower Access Panel: Open panel to expose Starting Battery (RR) and Fuel Shut-Off Valve (SS).

YY. Bladeshaft Drive Belt: Connects Engine and Bladeshaft. See maintenance section of this document for more information.

ZZ. Hydrostatic Transmission Belt Tensioner: Spring loaded idler used to tension Hydrostatic Transmission Belt (WW). See maintenance section of this document for more information.

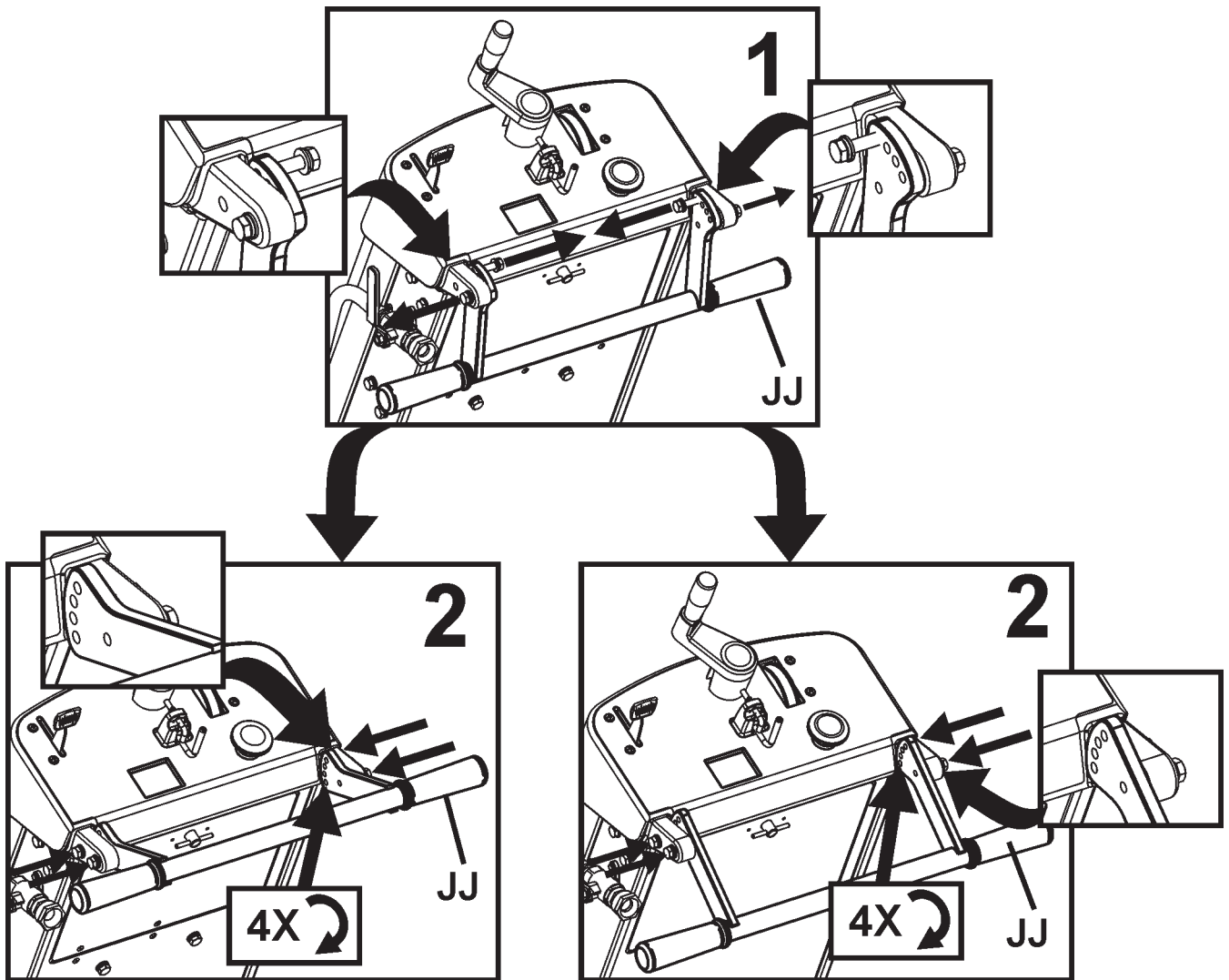
AAA. --

BBB. --

ASSEMBLY

Assemble the following items before operating machine for the first time.

Re-Position Rear Handle (JJ): Rear Handle (JJ) is shipped in storage position shown. It must be repositioned to use the machine.

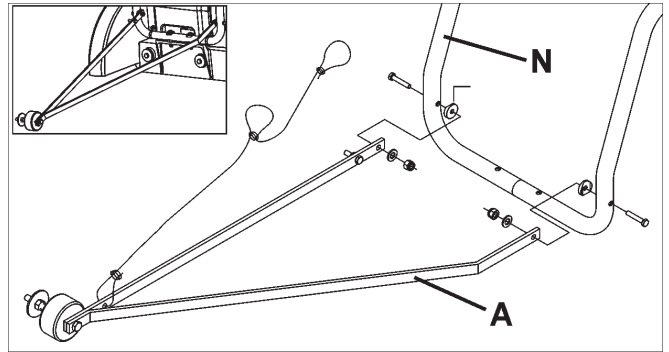


ASSEMBLY

Install Front Pointer (A):

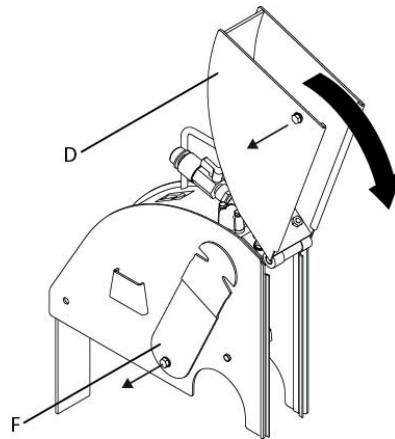
1. Using screws, washers and nuts installed in the Front Pointer (A), install onto tube frame of Water Tank Support (N). Adjust locking nuts to allow Pointer (A) to pivot freely.
2. Route pointer rope to avoid hot surfaces. Two loops in rope allow attachment to Rear Handle (JJ).

Note: “*Single Pointer*” (A) shown. Some regions have “*Dual Pointer*” as standard equipment. For all regions, Dual Pointer is available as an accessory. See “accessories” section of this document, or spare parts list for more information.



Blade Guard Front (D):

1. Using 13mm Wrench (U) provided, remove two (2) M8 screws located in front of and below Blade Guard Latch Plate (F), and the M8 screw in Blade Guard Front (D) [as indicated by arrows]. Loosen, but do not remove, remaining screw Blade Guard Latch Plate (F). Rotate Blade Guard Latch Plate (F), and Blade Guard Front (D) downward.

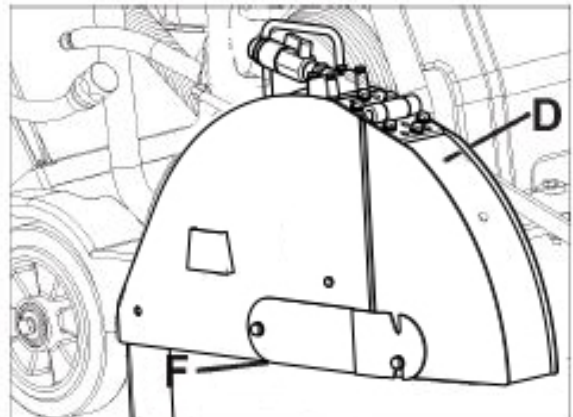


! WARNING!

Blade Guard Latch Plate (F) Must Be Installed before operation. Failure to Install before operating machine could create a Hazardous situation!

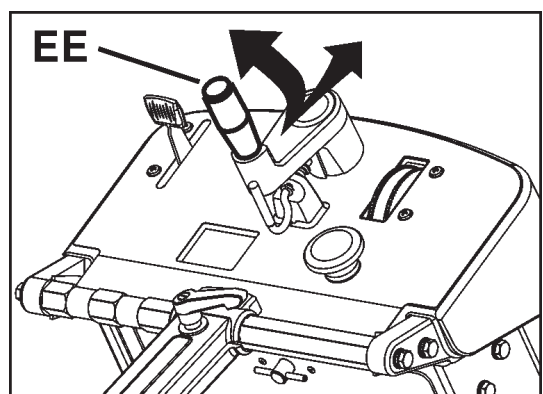
Always keep all guards in place when operating machine!

2. Reinstall three (3) M8 screws in Blade Guard Latch Plate (F) as shown in the diagram at the right. Use the 13mm Wrench (U) (supplied) to securely tighten the four (4) M8 bolts that hold the Blade Guard Latch Plate (F) in position.



Re-Position Blade Depth Control Handle (EE):

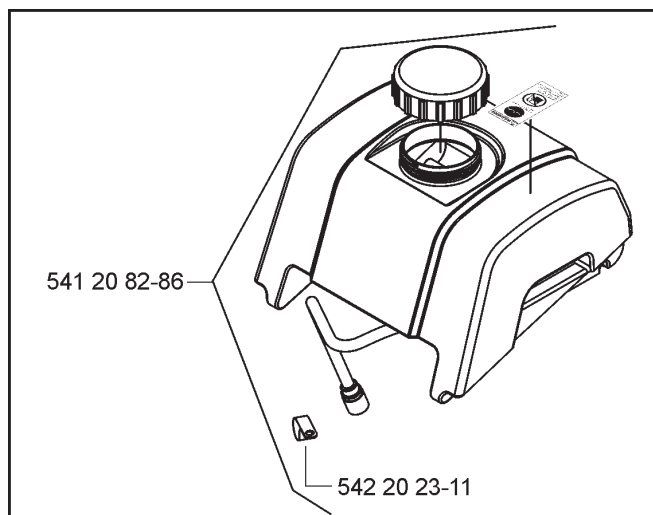
Pull outward on Blade Depth Control Handle (EE) and rotate 90 degrees until it snaps in position shown.



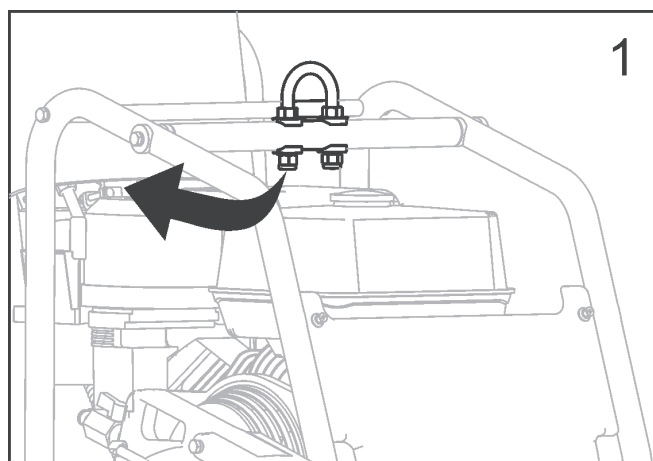
ASSEMBLY

Install Water Tank (P) (if equipped):

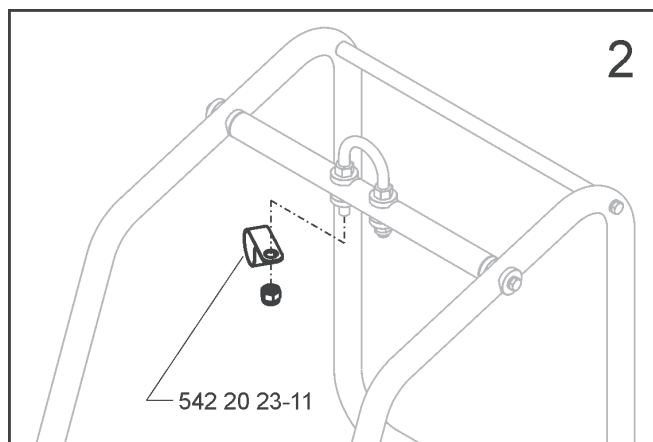
- A factory installed water tank is available in some regions. An optional water tank kit is available for all regions.
- If water tank was previously installed on machine, read these instructions to verify that installation is correct. Follow all WARNINGS for installation and use of the Water Tank.
- Verify the contents of the Water Tank Kit See Diagram at right.



1. **FS 513 Only:** Temporarily remove the right hand (same side of machine as engine starter rope) NUT from Lifting Eye (O). See diagram at right.




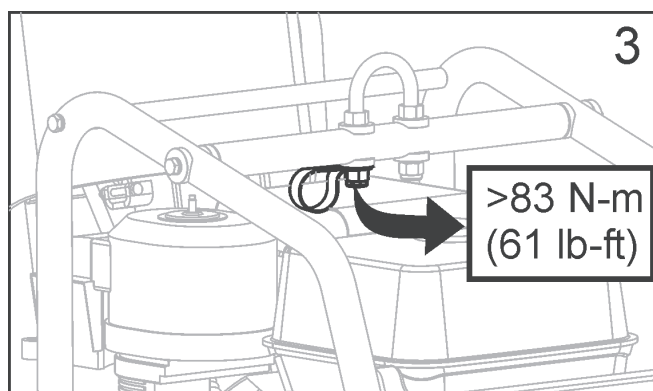
2. **FS 513 Only:** Install CLAMP supplied in Water Tank Kit (P), and then reinstall the NUT. See diagram at right.



3. **FS 513 Only:** Torque as specified below, and diagram at right.

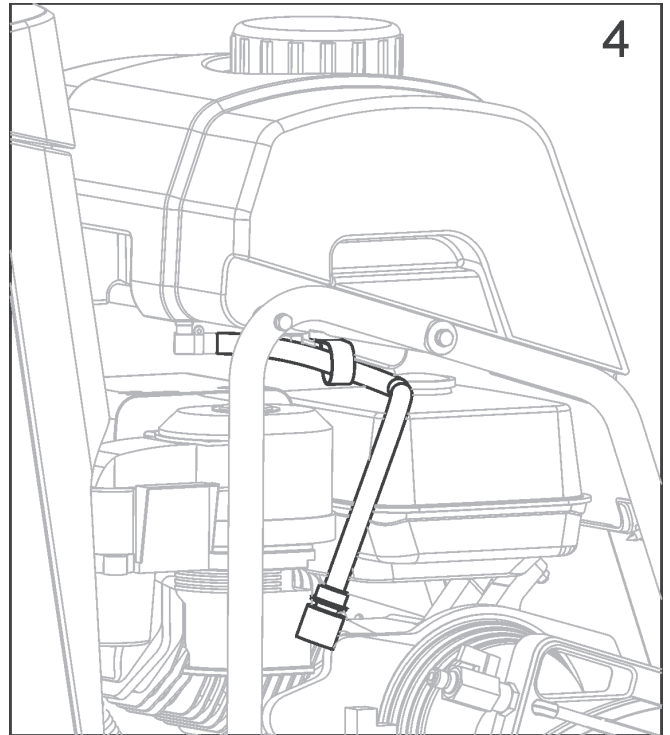
NOTICE
Torque Lifting Eye NUT to 83 N-m (61 lb-ft) minimum.

 WARNING!
Torque NUT as specified, else failure of LIFTING EYE (O) could occur. Injury or death could occur if LIFTING EYE fails while lifting machine.



ASSEMBLY

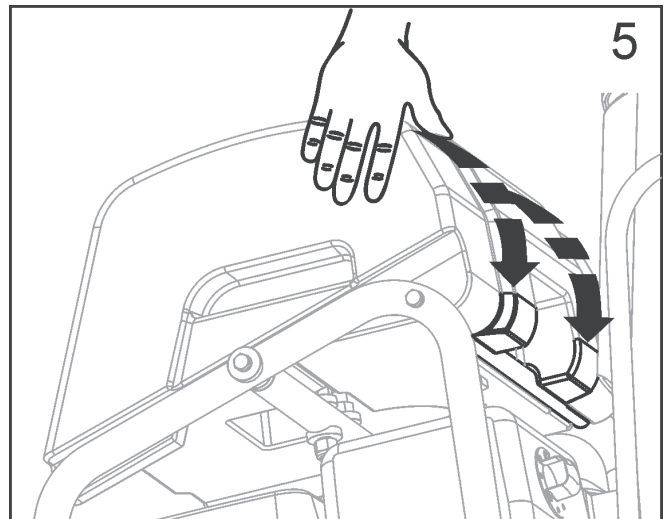
4. Position Water Tank, and route Water Tank Hose as shown in Diagram at right (**FS 513**). FS 520 / FS 524 do not use clamp shown in diagram.



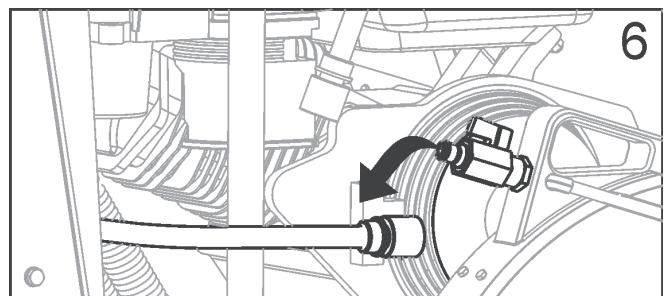
5. Align rear bar and recessed area at rear of water tank.

- Press down firmly on water tank so it snaps in position onto rear bar.

- When properly installed, water tank should pivot freely on rear bar.



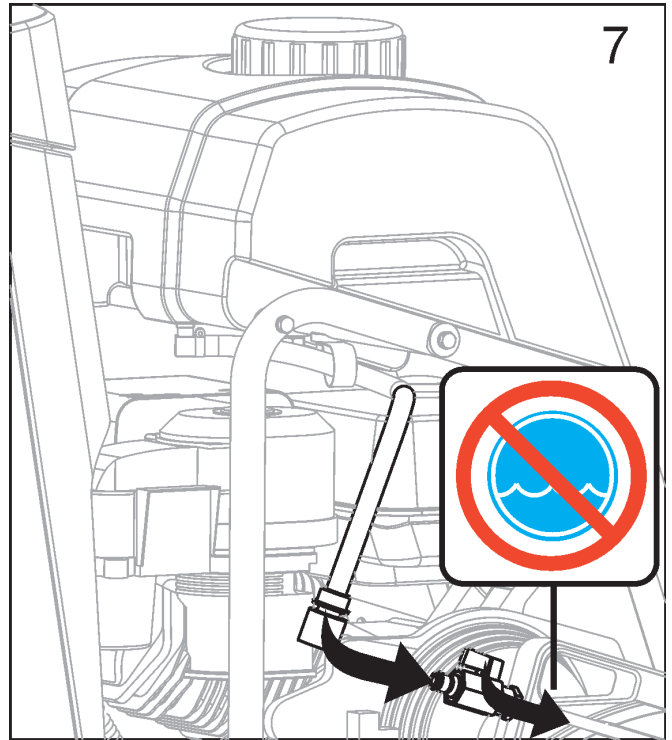
6. Disconnect existing water hose from blade guard. This is the water hose from water control valve mounted on saw.



ASSEMBLY

7. Connect Water tank hose to blade guard water valve.

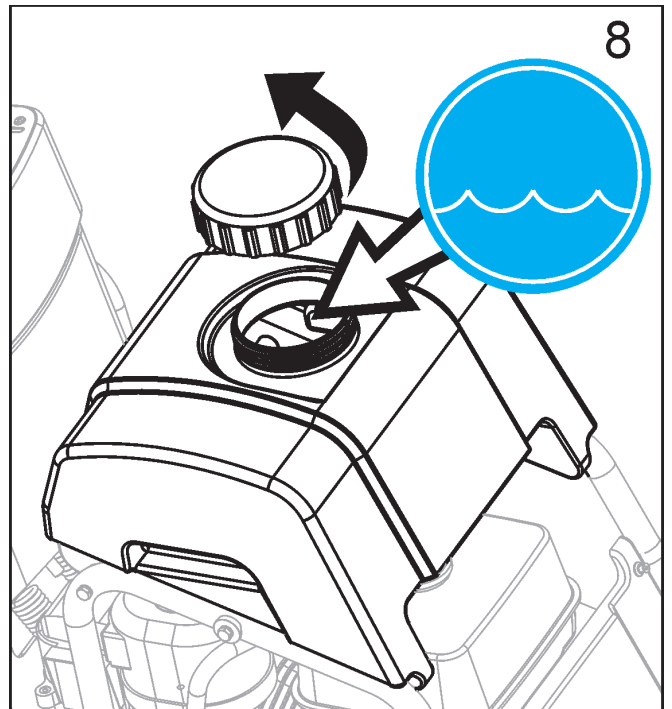
- Verify that blade guard water valve is in the OFF position.
- The water tank hose is now assembled to the saw.



Filling Water Tank:

8. Remove the cap by turning counter clockwise. See diagram at right.

- Fill water tank only with water. Read all WARNINGS before using water tank.
- Re-install the cap by turning clockwise.
- Water tank is designed only to suppress airborne concrete dust, and should only be used with “dry” cutting diamond blades.



WARNING!

DO NOT use conventional (wet) diamond blades with water tank as water source. Water flow is not sufficient to properly cool blade!

Fill Water Tank Only With Water!

Never fill Water Tank (P) with flammable liquids or gasoline, else injury or death could occur!

OPERATION

Before Operation:

Use: This machine is used only for wet or dry sawing of old and new concrete and asphalt.

WARNING!

DO NOT use for dry cutting in European Union (EU) regions. Machine is not equipped with a dust port.

Tools: Use machine only with the following tools (H): Water Cooled Diamond Blades. Reinforced Abrasive Blades or Dry Cutting Diamond blades should NOT be used within European Union (EU) regions because this machine, as supplied, does not include a dust collector port.

WARNING!

DO NOT use carbide, wood saw, or circular saw blades on this machine, else injury or death could occur.

Re-Locating the Blade Guard (C) - If Required:

Blade Guard (C) is factory installed on right hand side of machine, but can be relocated to left side. This may allow cutting closer to obstacles, if approaching them from the opposite direction is not possible.

1. Use 13mm Wrench (U) to remove Blade Guard Rear Bolt (E) from Blade Guard (C).
2. Push back collar to separate Water Hose Disconnect (G). Male half remains with Blade Guard (C). Female half remains with Water Tank (P) or Water Control Valve (KK).
3. Lift Blade Guard (C) upward, and off of Blade Guard Mounting Spade (Y).
4. Use 13mm Wrench (U) to remove four (4) screws that attach Blade Guard Latch Plate (F). Re-attach the Blade Guard Latch Plate (F) to the left hand side of Blade Guard (C).
5. Remove and relocate Shaft Guard (W) from left hand side of machine to right hand side.
6. Lower Blade Guard (C) onto Blade Guard Mounting Spade (Y) on left hand side of machine.
7. Re-Install Rear Bolt (E) in Blade Guard (C).
8. Re-Attach Water Hose Disconnect (G) from Blade Guard (C) to Water Tank (P) or Water Valve (KK). Take care that relocated hose will not contact muffler.
9. Relocate and realign Front Pointer (A) so Guide Wheel (B) is on left side of machine.

WARNING!



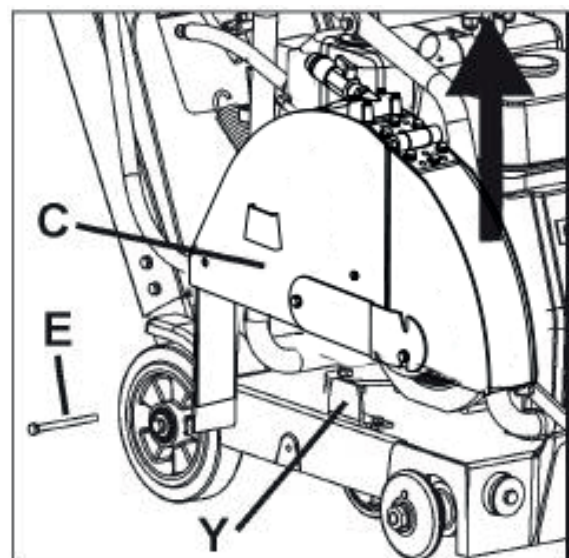
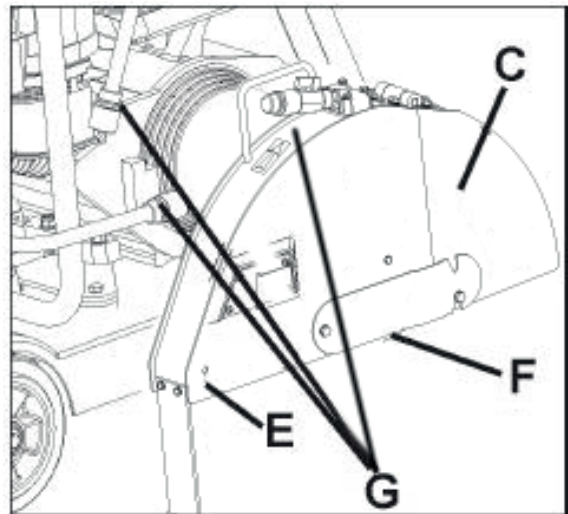
Before operating machine, read and understand this entire operation manual & engine operation manual supplied with engine.



Be familiar with machine before operation!



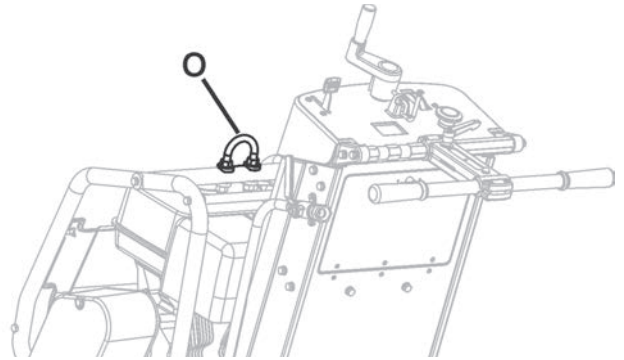
Operator must wear personal protective equipment & clothing appropriate to the work he is doing. Personal protective equipment, such as hearing & eye protection, is mandatory.



OPERATION

Transporting & Lifting Machine:

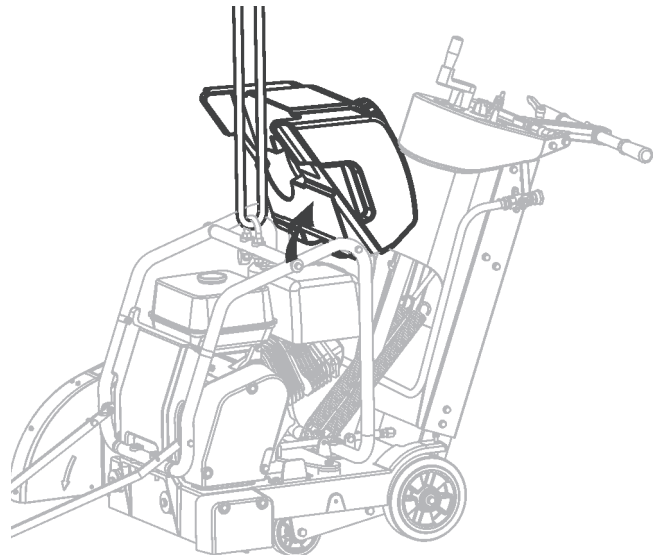
- Lift machine only from Lifting Point (O).
- Always remove Blade (H) before lifting, loading, or transporting.
- Use a proper lifting strap rated for at least the maximum mass of the machine. The nominal and maximum mass of the machine are shown in the TECHNICAL DATA section of this document.



Remove Blade (H) before lifting, loading, or transporting machine.

Lifting machine equipped with Water Tank:

- Before lifting a machine equipped with a water tank:
 1. Empty water from tank.
 2. Remove Blade.
 3. Lower machine until frame is parallel to ground.
 4. Pivot front of water tank upward until it rests against aluminum cowl top. Do not rest water tank cap against plastic cowl front - damage during lifting could occur.
 5. Attach proper lifting strap to Lifting Point (O).
 6. Test Lift machine at a low level (just a few centimeters) to verify tank remains secured to machine, and will not be damaged or cause damage.
 7. If water tank equipped machine can not be lifted without damage to the machine or tank, remove water tank before lifting.



NOTICE

Water tank or saw could be damaged if saw is not lifted properly. Closely monitor for damage while lifting machine.

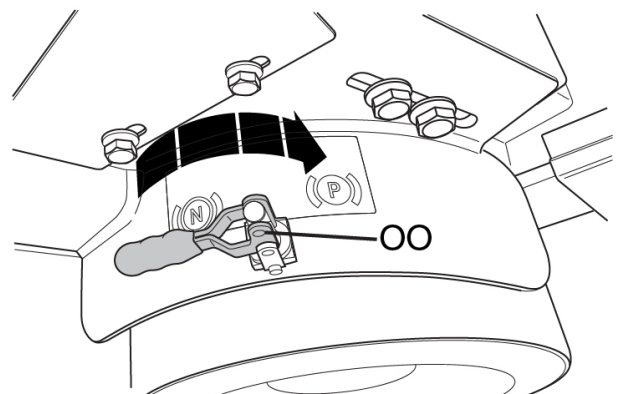
Parking Machine:

- Machines used in some regions may require a Parking Brake. Parking Brake for this machine is applied using Transmission Engagement Lever (PP).
- Parking brake is designed to hold machine in position on a slope of 10 degrees or less, with rear of machine on downhill side of slope (maximum weight on braked wheel).



Parking Brake - Engage (See Diagram):

1. Turn engine OFF (O).
2. Move Transmission Engagement Lever (PP) forward to "engaged" position.



OPERATION

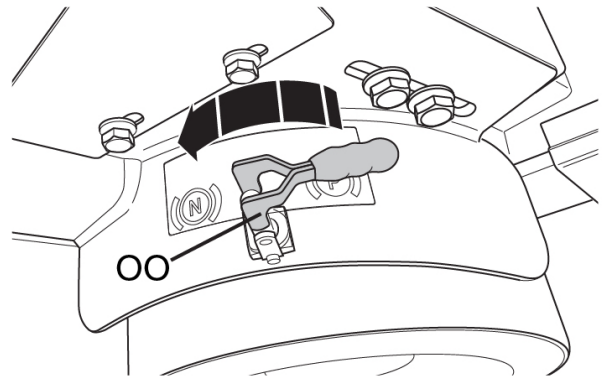


(N) Parking Brake - Dis-engage (See Diagram):

1. Move Transmission Engagement Lever (PP) rearward to "dis-engaged" position. Must be fully dis-engaged.
2. Engine may now be started.

NOTICE

Parking Brake must be dis-engaged to start engine (FS 520 & FS 524). Move Transmission Engagement Lever (PP) rearward to Dis-Engaged position.



Gasoline Engine Models:

Refer to the engine operating manual for proper engine operation.

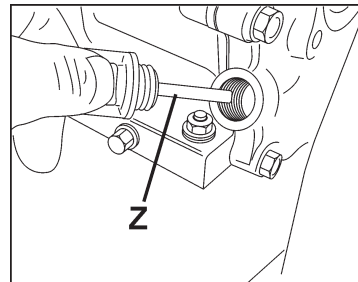
FUEL: Unleaded gasoline is recommended. See engine operation manual for more information.

OIL: Check that engine oil level is correct using the Engine Oil Dipstick (Z). See Maintenance section of this document or engine operation manual for more information.

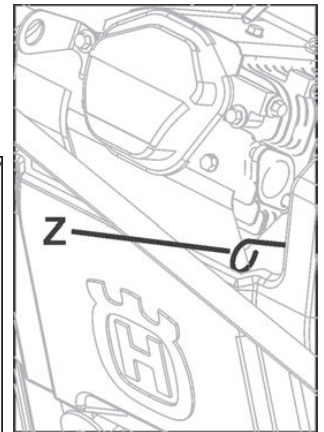
Because the engine often operates at an angle, check oil level with engine horizontal. Check frequently to ensure that oil level never falls below lower mark on dipstick. 10W30 oil is recommended. See engine operation manual for more information.

NOTICE

If engine is equipped with a low oil shutdown system, engine will not start if oil level is low. Also, engine may stop if maximum angle of operation is exceeded. See engine operation manual.



FS 513



FS 520, FS 524

All Models:

Front Pointer (A) must be checked for alignment with blade. Lay a straight edge along Inner Flange (I). Align Front Pointer (A) to straight edge. If required, adjust Front Pointer (A) by loosening nuts that hold Guide Wheel (B) in place. Align Guide Wheel (B) to straight edge and re-tighten nuts.

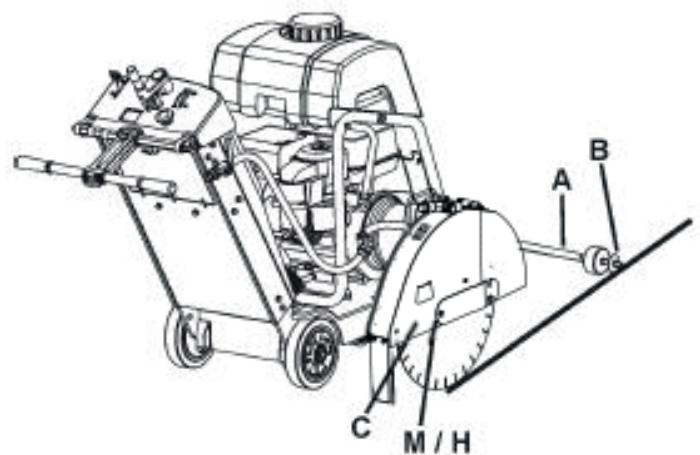
Check that water tubing in the Blade Guard (C) is open and that each side of blade has an adequate supply of water.

Test the water supply for pressure and quantity (flow) before starting the saw.

Saw only as deep as the job specifications require. Sawing deeper than required will add excessive wear the blade and machine.

Cut in increments of 50mm (2 inches) deep until cutting depth specification is reached. This is known as "step cutting".

Saw only in a straight line. Mark cutting line clearly so saw operator can follow line without difficulty. Saw should NOT be twisted from side to side to force blade back on line.



OPERATION

Fitting the Diamond Blade (H):



Do not install a blade (H) on the machine until it has been transported into the cutting area.



WARNING! Never transport the machine outside the cutting area with engine on and with a blade installed.

1. Open Front Cover (V).
2. Set Engine Start Switch (DD) to OFF ("0") position.
3. Raise Diamond Blade (H) to highest position by turning Blade Depth Control (EE) Counter-Clockwise.
4. Use 13mm Wrench (U) located in Tool Compartment (BB), to loosen and remove four (4) M8 bolts that attach Blade Guard Latch Plate (F). Temporarily remove Blade Guard Latch Plate (F).
5. Raise Blade Guard Front (D).
6. Using the 27mm Blade Shaft Wrench (T), loosen and remove the Blade Shaft Nut (L) that secures the Outer Flange (J) in position.

NOTICE

Blade Shaft Nut (L1) on right hand side of machine has left hand threads. To loosen, turn clockwise.

Blade Shaft Nut (L2)(not shown) on left hand side of machine has right hand threads. To loosen, turn counter-clockwise.

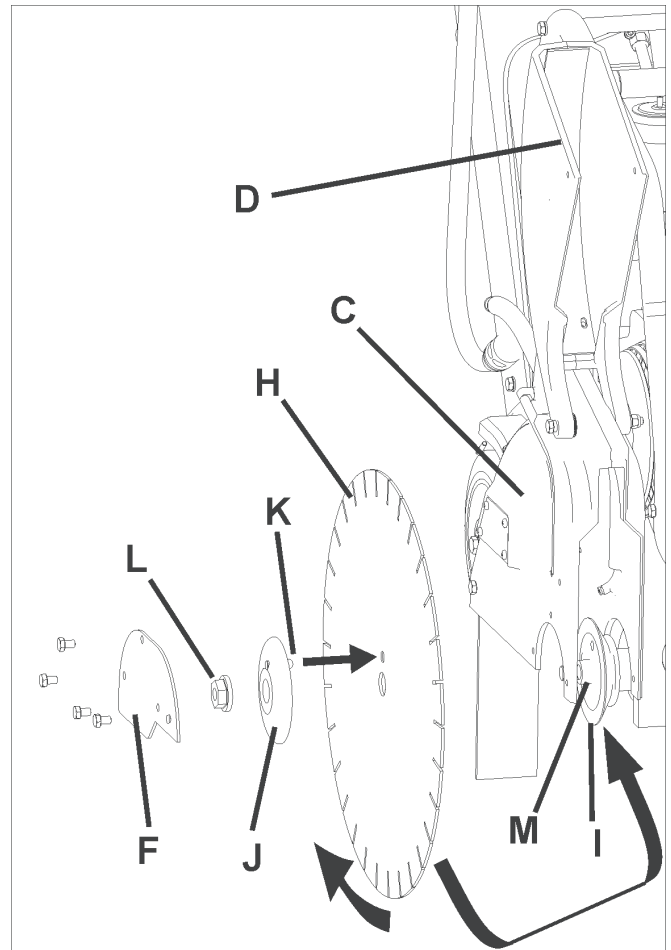
7. Remove Outer Flange (J).
8. Check that Blade Shaft Arbor (M), Inner Flange (I), and Outer Flange (J) are clean and free of foreign objects.
9. Fit Diamond Blade (H) onto Blade Shaft Arbor (M). Direction of rotation is shown by arrows on Diamond Blade (H) and Blade Guard Front (D). See diagram at right.
10. Install Outer Flange (J) onto Blade Shaft Arbor (M). Make sure that Locking Pin (K) passes through Diamond Blade (H) and into Inner Flange (I).
11. Rotate Outer Flange (J) and Diamond Blade (H) in opposite direction of blade rotation to remove backlash.
12. Install Blade Shaft Nut (L). Tighten using 27mm Blade Shaft Wrench (T).

NOTICE

Blade Shaft Nut (L1) on right hand side of machine has left hand threads. To tighten, turn counter-clockwise. Torque to 45 N•m (33 lb-ft) - minimum.

Blade Shaft Nut (L2)(not shown) on left hand side of machine has right hand threads. To tighten, turn clockwise. Torque to 45 N•m (33 lb-ft) - minimum.

13. Lower Blade Guard Front (D).
14. Re-install and tighten Blade Guard Latch Plate (F).



WARNING!

USE ONLY Blades (H) marked with a maximum operating speed greater than blade shaft speed of machine.

DO NOT change to a larger size blade without changing to proper belts and pulleys!

DO NOT operate machine without proper guard over Diamond Blade (H)!

DO NOT operate machine with Front Blade Guard (D) raised!

Blade (H) exposure MUST NOT exceed 180 degrees when operating machine!

Contact Surfaces of Blade Shaft Arbor (M), Inner Flange (I), and Outer Flange (J) MUST BE undamaged clean and free of foreign objects.

DO NOT not transport machine with Blade (H) installed.

DO NOT use conventional (wet) Diamond Blades (H) without water.

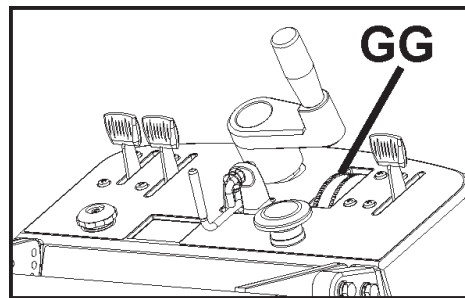
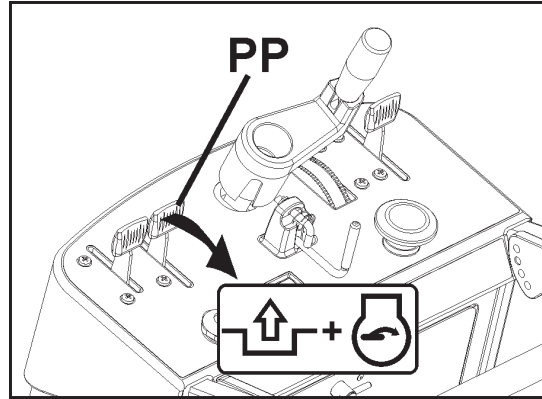
READ operation instructions supplied with Blade (H).

DO NOT install Blade (H) unless power source is in OFF (0) position, and dis-connected from power supply.

OPERATION

Starting and cutting with machine:

- Using Blade Depth Control (EE), raise Diamond Blade (H) as high as possible so it will not strike pavement when maneuvering. Pull out on Blade Depth Stop (FF) if required.
- Dis-engage Parking Brake (OO) by moving Transmission Engagement Lever (PP) rearward to Dis-Engaged position.
- With engine OFF, maneuver machine into position near line to be cut.
- Lower Front Pointer (A) onto cutting surface.
- Set Depth Indicator (GG) (use if desired):
 - 1) Lower machine until diamond blade contacts cutting surface.
 - 2) Set Depth Indicator (GG) dial to align indicator arrows with zero (0). Orange color indicates cutting depth in centimeters. White color indicates inches.
 - 3) Raise saw to maximum height. Now as Diamond Blade (H) is lowered, Depth Indicator (GG) will show cutting depth.
 - 4) Fully raise Diamond Blade (H).

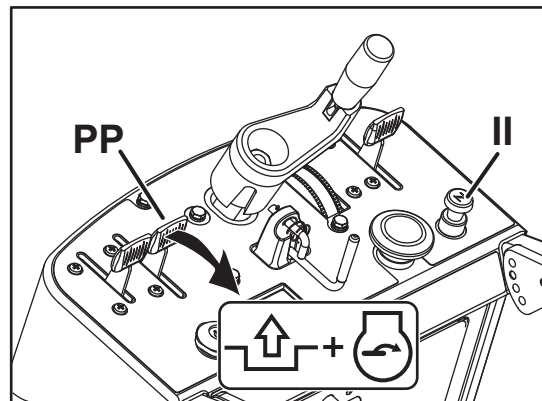


Starting FS 513:

- Verify that Machine Stop (AA) AND Engine Start Switch (DD) are in “ON” position. Machine Stop (AA) should be in outer position (pulled outward from cowl). Engine Start Switch (DD) must be turned to “1” (ON) position. Travel Speed Lever (QQ) is near the “Stop” position.
- Start Engine by engaging Engine Choke Lever, and pulling starting rope. Dis-engage Engine Choke Lever after engine starts. See engine manual for more information.

Starting FS 520 / FS 524:

- Verify that Machine Stop (AA) is in outer position (pulled outward from cowl), and Parking Brake (OO) is dis-engaged [Transmission Engagement Lever (PP) moved rearward to Dis-Engaged position]. Travel Speed Lever (QQ) is near the “Stop” position.
- Pull Engine Choke (II) Outward (See engine manual for more information).
- Turn Engine Start Switch (DD) to “Start” position.
- Start Engine. See engine manual for more information.



After Starting Engine (All Models):

- Visually verify that tool rotation matches directional arrow on blade guard.
- Open Water Control Valve (KK1) FULL open. Verify full water flow, and then adjust for proper amount of water on the blade BEFORE you lower the Blade.
- Make final adjustments to align saw with cutting line. Verify that Guide Wheel (B), and Diamond Blade (H) are both on the cutting line.

NOTICE

Parking Brake must be dis-engaged to start engine (FS 520 & FS 524). Move Transmission Engagement Lever (PP) rearward to Dis-Engaged position.

OPERATION

If water supply is interrupted, stop cutting immediately. Damage to Diamond Blade (H) could occur.

- Lower Diamond Blade (H) into the cut by slowly turning Blade Depth Control (EE) COUNTER-CLOCKWISE.
- When desired depth of cut is reached, push Blade Depth Stop (FF) down to lock it to Blade Depth Control (EE) (if desired).
- Make sure Travel Speed Lever (QQ) is near the "Stop" position, then move Transmission Engagement Lever (PP) forward to "Engaged" position.
- Push Travel Speed Lever (QQ) forward until desired travel speed is achieved. Watch Diamond Blade (H) and Guide Wheel (B) carefully to assure that machine stays on cutting line, and that Diamond Blade (H) does not rise out of cutting path.
- When cut is complete, push Travel Speed Lever (QQ) backward until travel stops.
- Dis-engage Blade Depth Stop (FF).
- Raise Diamond Blade (H) out of cut by slowly turning Blade Depth Control (EE) CLOCKWISE.
- Close Water Control Valve (KK).
- Move Transmission Engagement Lever (PP) rearward to "Dis-engaged" position.
- Turn engine to "0" (OFF) position using the Engine Start Switch (DD).

Extended Periods of Non-Operation (Two Weeks or Greater):

FS 520 / FS 524: See Battery Maintenance.

FS 520 / FS 524: Remove Fuel in Engine:

- If the machine is not expected to be operated within two weeks the fuel should be removed from the engine. The following procedure can be used:
 1. Open Batter Access Panel (Access Panel not shown in diagram for clarity).
 2. Close engine Fuel Shut-Off Valve (SS). Turn clockwise to close.
 3. Removed Blade and clear area of persons not involved in this work.
 4. Start engine and run at full speed until engine dies because of fuel starvation.

NOTICE

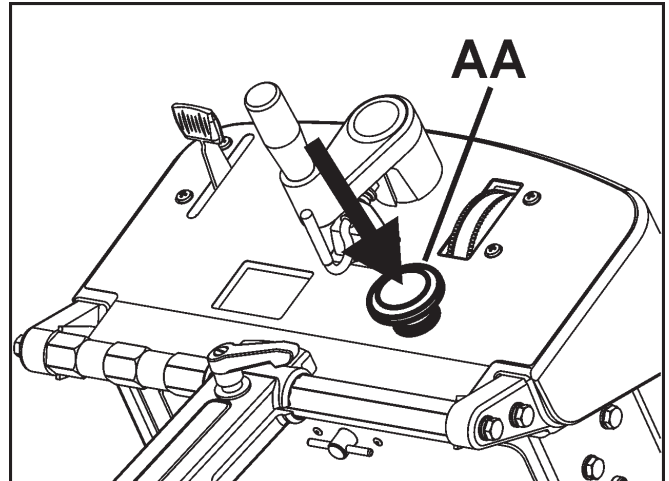
Failure to drain fuel from engine during extended non-operation periods could cause old fuel to clog carburetor. Additional engine maintenance may result.

Remove Fuel from Fuel Tank:

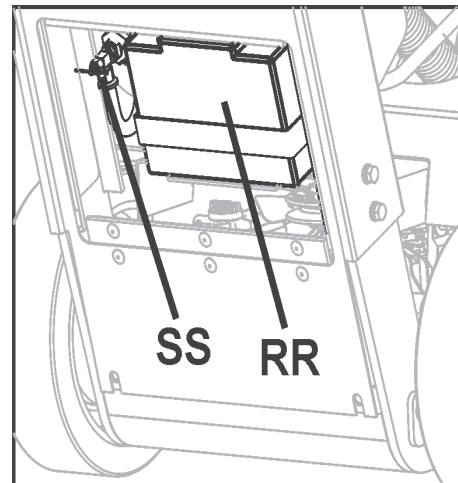
- If the machine is not expected to be operated within four or more weeks fuel should be removed from fuel tank. See engine operation manual for information and safety warnings.

NOTICE

If an urgent situation arises during cutting operations STOP machine immediately using Machine Stop (AA).



For STOP of machine, press down MACHINE STOP (AA).



! WARNING!

Gasoline is highly flammable and explosive, and you can be burned or seriously injured when handling fuel.

- Stop engine and keep heat, sparks, and flame away.
- Refuel only outdoors.
- Wipe up spills immediately.

MAINTENANCE & LUBRICATION

SCHEDULED MAINTENANCE QUICK REFERENCE:

Before performing any maintenance, ALWAYS park the machine on a level surface with the engine “OFF” and the engine switch set in the “OFF” position. Let the machine cool down! Other maintenance and repairs should only be carried out by a qualified technician.

SERVICE DAILY:

1. Check engine oil level.
2. Check blade guard for damage.
3. Check engine air filter, replace if dirty. Service sooner if used in dusty conditions.
4. Clean machine daily.

SERVICE EVERY 50 HOURS:

1. Replace engine oil and filter.
2. Clean engine/motor air fins.
3. Lubricate Depth Control Grease Fitting (X).
4. Check wheels for wear or damage.
5. Check blade drive belt tension.

Replacing Engine Air Filter (S):

If the engine seems weak, produces black smoke or runs unevenly, the air filter may be clogged. For this reason, it is important to clean and replace the air filter regularly. Check engine manual for detailed instructions.

**CAUTION!**

The filter must not be cleaned with compressed air, this will damage the filter. Filters can be vacuumed out for cleaning but avoid hitting or dragging items across the surface as this will damage the filter.

Paper filters are to be disposed of correctly and replaced.

A polyester filter can be cleaned via vacuuming or low pressure washing.

Do not use high pressure washing, this will damage the filter.

A damaged filter must always be replaced.

A washed filter must be 100% dry before being placed back onto the equipment.

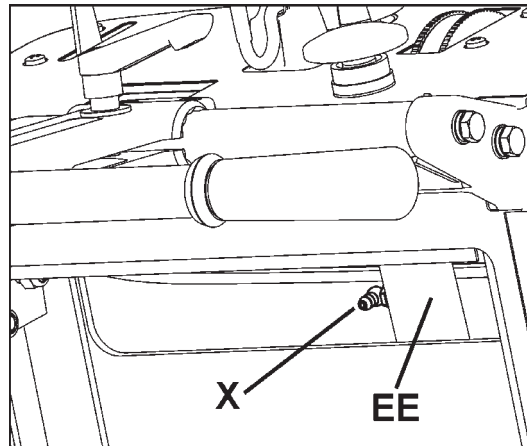
MAINTENANCE & LUBRICATION

LUBRICATION:



Depth Control Grease Fitting (X): A grease fitting allows lubrication of Blade Depth Control (EE) screw. To access this grease fitting:

- Raise the Diamond Blade (H) to maximum height. Open Tool Compartment (BB), temporarily remove operation manual bag.
- Grease fitting (X) is located near top of Blade Depth Control (EE) Tube.
- Add Grease to the fitting. Raise and lower the machine a few times to circulate the grease through the tube.
- Replace Operation Manual Bag, close Tool Compartment (BB) door.



Engine Oil:

Checking Engine Oil:



Check that engine oil level is correct. FS 524 ONLY: Start the engine and let it idle for 1 or 2 minutes. Stop the engine and wait for 2 or 3 minutes. See engine operation manual for more information.



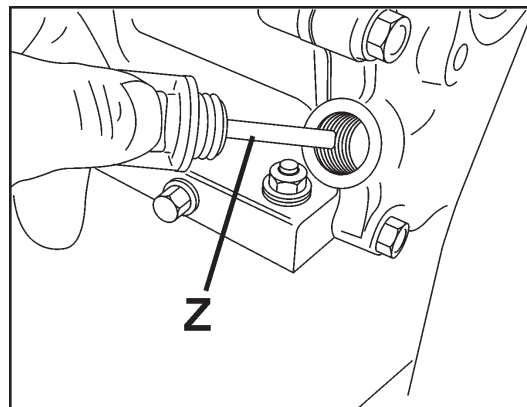
FS 513:

Engine Oil Dipstick (Z) is located on front of engine. Refill engine oil in dipstick hole. When checking oil level, Engine Oil Dipstick (Z) should not be screwed in. See engine operation manual for more information.

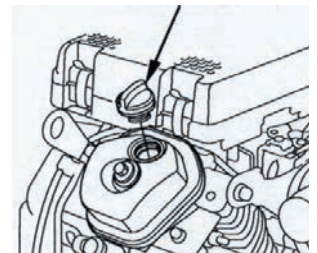
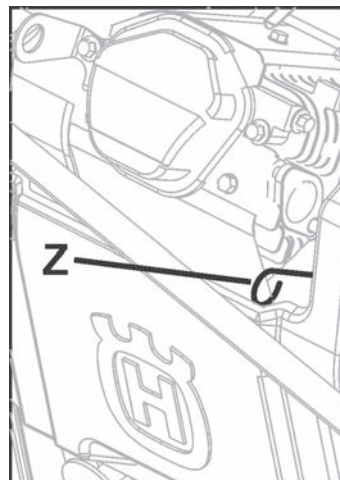
FS 520 / FS 524:

Engine Oil Dipstick (Z) is located on front of engine. Refill engine oil in oil filler hole (see engine operation manual). Fully insert Engine Oil Dipstick (Z), then remove it to check oil level. If the oil level is low, remove the oil filler cap, and fill to the upper limit mark on Engine Oil Dipstick (Z) with recommended oil type. See engine operation manual for more information.

Because engine often operates at an angle, check oil level with engine horizontal. Check frequently to ensure that oil level never falls below lower mark on dipstick. 10W30 oil is recommended. See engine operation manual for more information.



FS 513

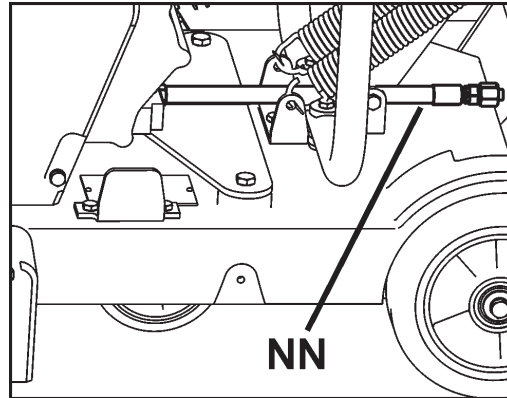


FS 520, FS 524

MAINTENANCE & LUBRICATION

Changing Engine Oil:

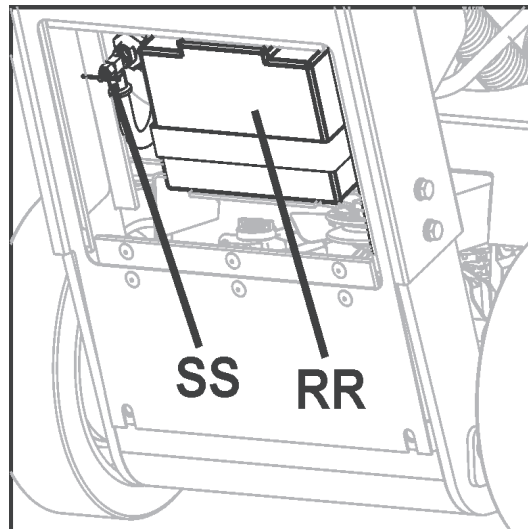
- Turn machine Start Switch (DD) to OFF (0) position. Let engine cool. Use Depth Control (EE) to tilt machine slightly backwards.
- Reposition Oil Drain Hose (NN) to side of machine. Set a suitable container, large enough to hold engine oil capacity, beside machine to catch oil.
- Open end of Oil Drain Hose (NN), and let oil drain into container. After oil is drained, replace Oil Drain Hose (NN) end, tighten securely, return hose to original position.
- Fill engine with recommended quantity of oil - see engine manual for details.
- Dispose of used oil in an environmentally safe manner.



Battery Maintenance (FS 520 / FS 524):

This engine starting battery (RR) is a sealed unit and will never require the addition of water. Keep the top of the battery and the cable connections clean and free of corrosion. Coat the connections with a high temperature grease or petroleum jelly. Periodically check the battery by measuring its voltage with a DC voltmeter. A fully charged battery will be 12.8 volts. It is recommended that voltage checking and charging be done at the battery cable on the starter motor at the front of the saw.

Charge battery at least once a month. Charging can be done by running engine for at least 30 minutes or connect battery to a trickle charger (2 amps or less) for 8 hours. If battery will not start engine, it is recommended that battery be replaced or charged with a trickle charger (2 amp rating or less).



NOTICE

A fully charged battery will be 12.8 volts.

Jump starting this equipment from a larger battery or boost charger is not recommended. Doing so could cause permanent damage to the internal battery.

MAINTENANCE & LUBRICATION

FS 513:

Blade Shaft Drive Belt Tension: Drive Belt should be re-tensioned after first few hours of operation. Belt Drive Idler (MM) holds tension on Drive Belt.

Tools Required:

- 13mm Wrench (Included with machine).
- 3/8" (9.53mm) Drive Torque Wrench (Not Included)
- 14mm Wrench (Not included with machine).

1. Use 13mm Wrench (U), to remove three (3) M8 bolts that attach Belt Guard (LL). Remove Guard (LL).

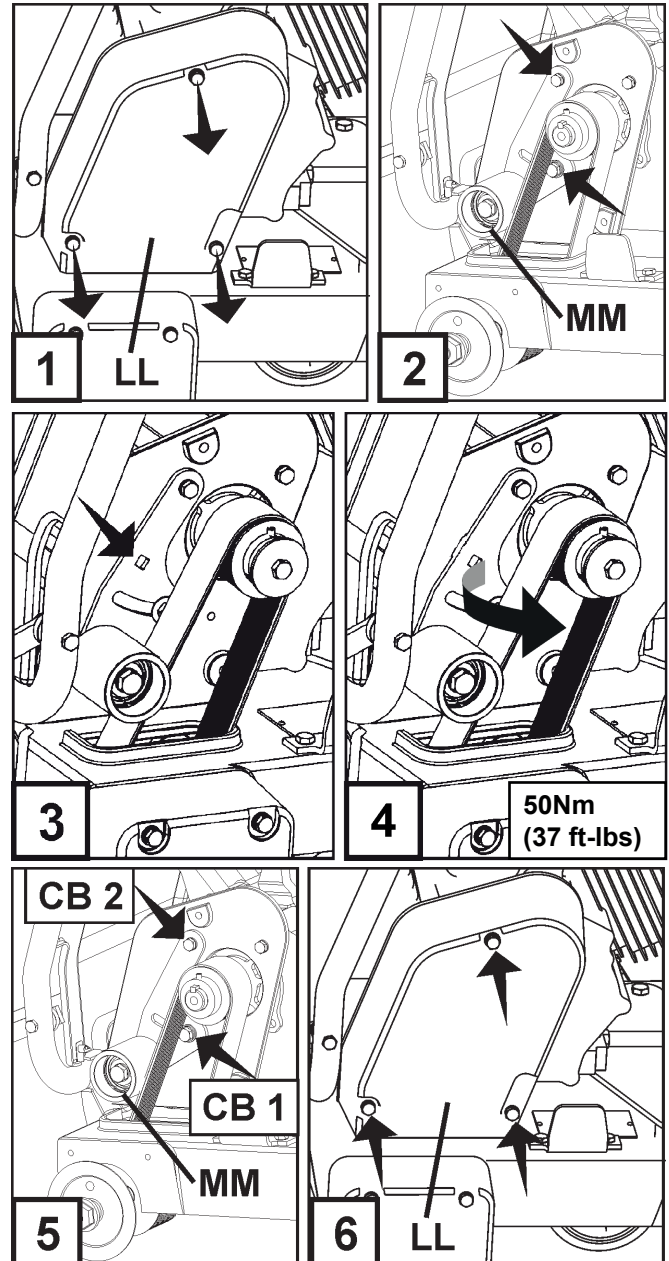
2. Use the 13mm & 14mm wrenches to slightly loosen the two (2) bolts that secure the Belt Drive Idler (MM) [bolts indicated by (2) arrows].

3. Attach Torque Wrench to square hole in Belt Drive Idler (MM).

4. Apply a torque to Drive Idler (MM) so that Drive Idler (MM) is forced against the Drive-Belt. Torque to the value shown in diagram 4.

5. Tighten center bolt (CB1) to hold Drive Idler (MM) in position, then tighten remaining bolt (CB2).

6. Reinstall Belt Guard (LL). Use 13mm Wrench (U), to tighten three (3) M8 bolts that attach Belt Guard (LL).



Governor Speed

It is critical that Governor and throttle on all internal combustion engines be adjusted properly. Engine speed is preset at factory for proper sawing speed. It is NOT normally necessary to change this setting. It should be periodically verified after machine is placed into service. To change the Governor setting, refer to the engine manual.

WARNING!

Overspeeding Diamond Blade (H) can result in blade breakage and/or personal injury to operator and bystanders! To assure proper Governor adjustment, determine correct blade shaft speed (RPM) from the adjacent chart. Follow engine manufacturer's instruction procedure for Governor and throttle setting.

MAINTENANCE & LUBRICATION

FS 520, FS524:

Blade Shaft Drive Belt Tension: This machine is equipped with a dynamic belt tension device that does not require any adjustment or maintenance. Correct tension is preset during production assembly. However, if replacement of belt or other components are needed please follow below 6 steps for correct procedure.

Tools Required:

- 13mm Wrench (Included with machine).
- Allen key 6mm (not included with machine).
- 19mm Wrench (Not included with machine).
- Adjustable Wrench (not included with machine).

To release belt tension:

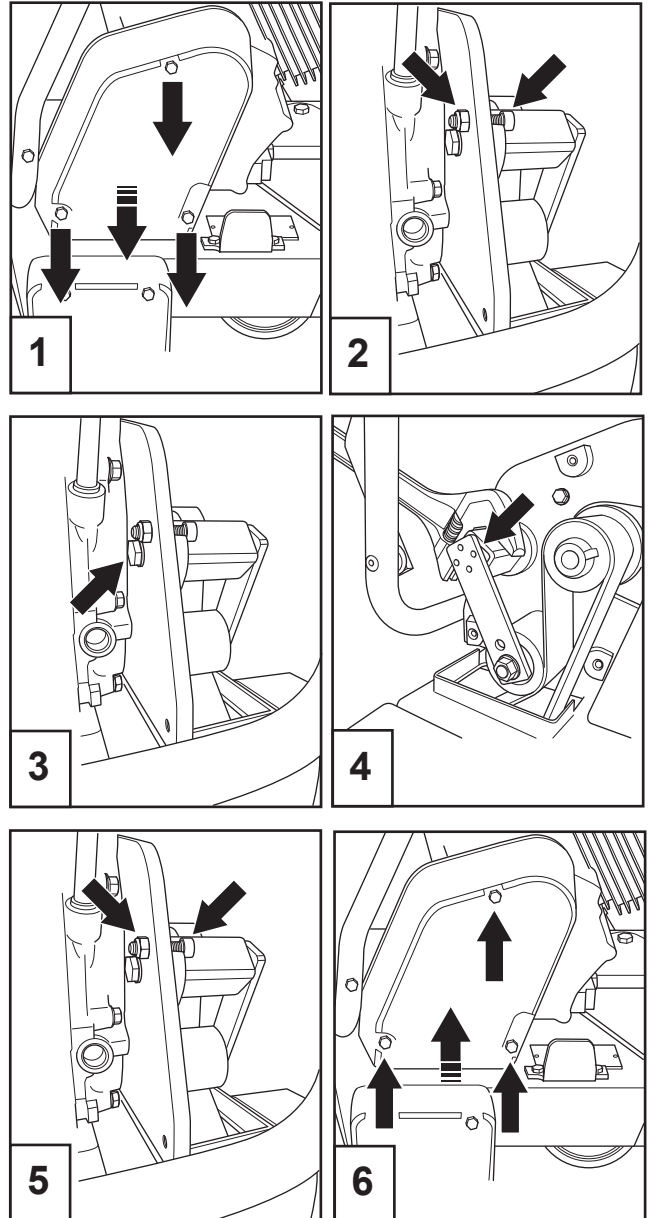
1. Use 13mm wrench (U), to remove three (3) M8 bolts that attach Belt Guard. Remove Belt Guard.
2. Use the 13mm wrench and allen key to remove nut and allen screw (securing screw).
3. Use 19mm wrench to slightly loosen the screw that fix the tension device to the plate.

To set correct tension:

4. Use an Adjustable wrench to turn the base of the tension device in counter clock wise direction to set required pre tension. When angle on tension device shows 30° and the slot on base of the tension device is aligned with hole in plate: tighten the fixing screw using a 19mm wrench.

5. Reinstall the allen screw and locking nut by using an allen key and a 13mm wrench.

6. Reinstall Belt Guard. Use 13mm wrench to tighten three (3) M8 bolts that fix Belt Guard.



MAINTENANCE & LUBRICATION

Hydrostatic Transmission:

Service of Hydrostatic Transmission (TT): Maintenance free for life of machine.

Transmission Drive Belts: Remove guards shown in diagram as right to access transmission drive belts.

• Transmission Drive Tensioner Belt (UU):

Belt Tension:

1. Check tension when machine is new.
2. Re-check tension after 1-2 hours of operation and re-tighten to original tension if required - see steps 3-5 below.
3. Loosen Bolts that hold Transmission Drive Tensioner (V V) in place.
4. Move tensioner (V V) toward rear of machine to increase tension.
5. Re-tighten bolts.

Belt and Sheave Wear:

Check every 50 hours for wear on belt and sheaves. Replace if worn.

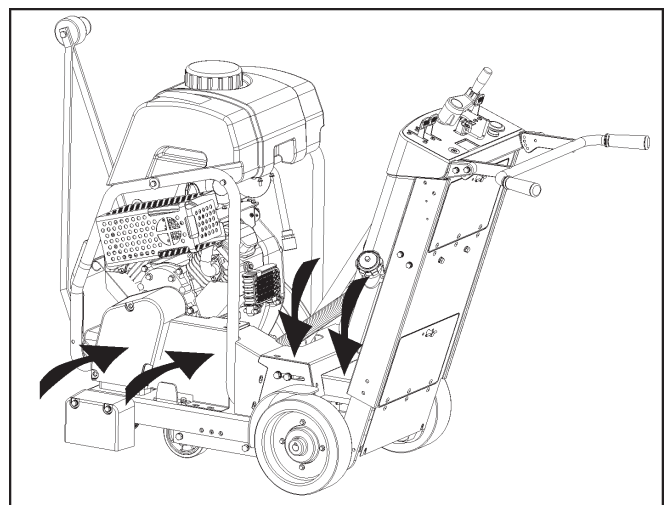
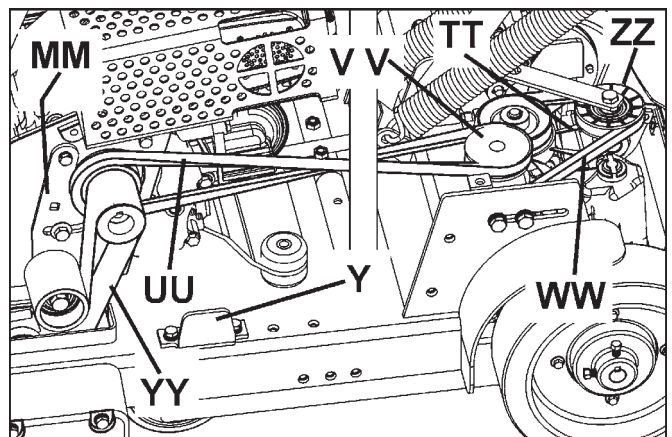
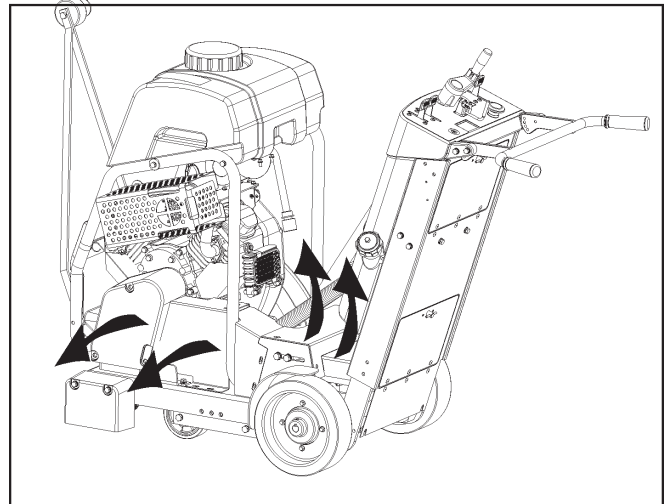
• Hydrostatic Transmission Belt (WW):

Belt Tension:

Checking tension is not required. Hydrostatic Transmission Belt Tensioner (ZZ) is a spring loaded self tensioning idler. Check for wear or damage to idler spring - replace if required.

Belt and Sheave Wear:

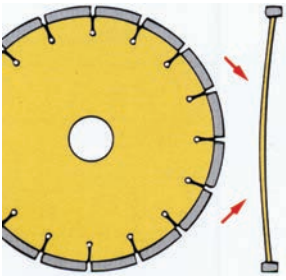
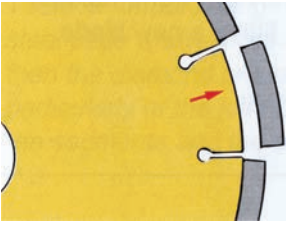
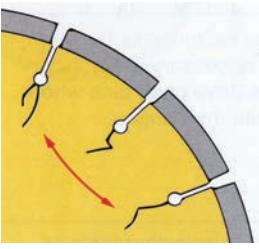


Check every 50 hours for wear on belt and sheaves. Replace if worn.



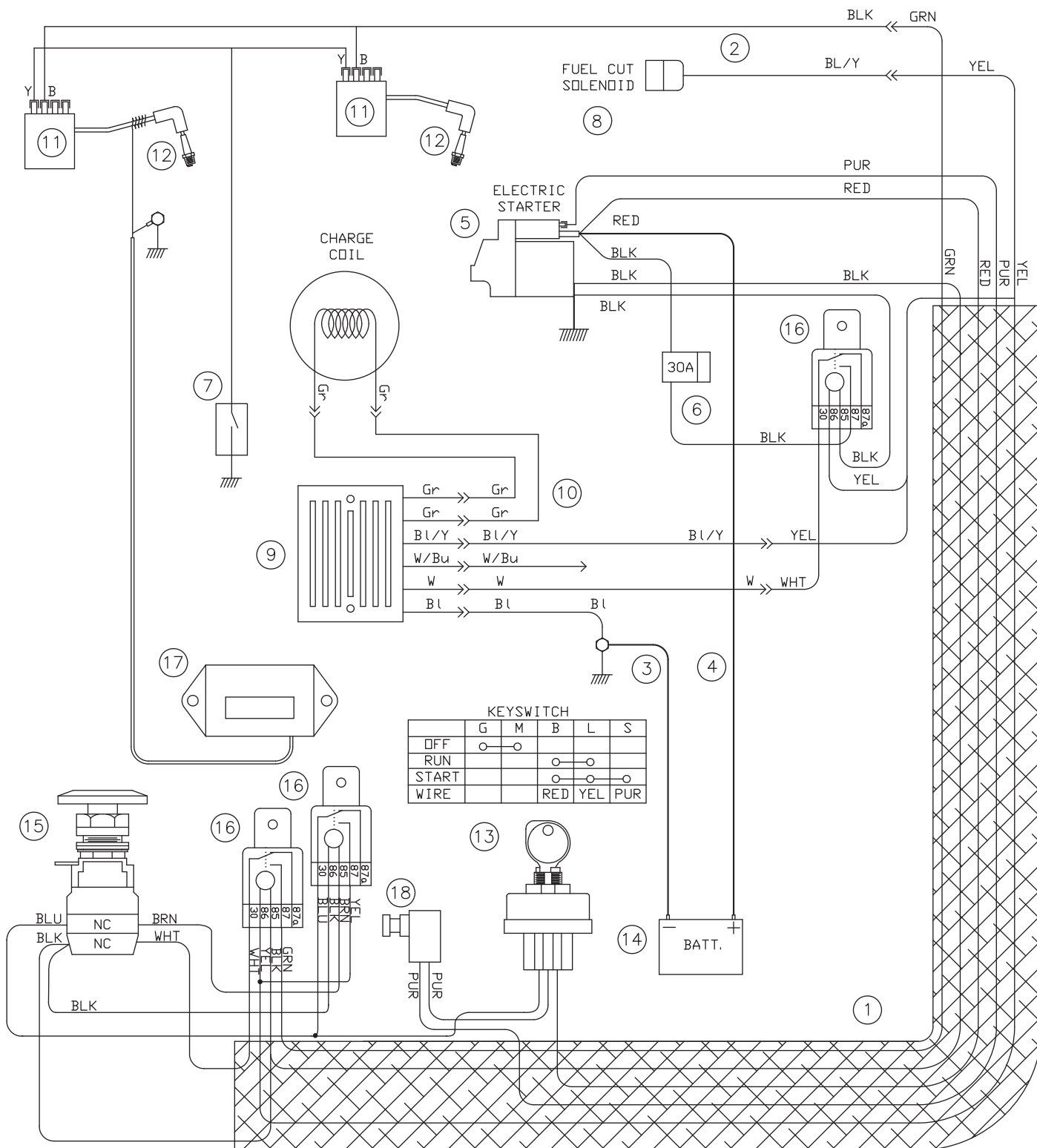
Replace guards shown in diagram at right before starting engine.

TROUBLE SHOOTING GUIDE

Engine Will Not Start:	
Cause	Action
Electrical switches not in correct position.	Check that BOTH Machine Stop (AA) and Engine Start Switch (DD) (FS 513) are in "ON" position. Machine Stop (AA) should be pulled outward from cowl, and Engine Start Switch (DD) turned to "1" (ON) position.
Fuel valve closed.	Open the fuel valve.
Choke valve open.	Close the choke with cold engine.
Fuel tank empty.	Fill with fuel.
Contamination, or water ice in fuel system.	Clean tank, fuel lines and carburetor. Fill tank with fresh fuel.
Buildup on spark plug electrodes.	Check electrode gap and clean.
Engine has no power or runs unevenly. Air filter Clogged.	Clean or replace the air filter.

Diamond Blade Trouble Shooting:	
Problem	Cause & Action
<p>Loss of Tension in Diamond Blade</p> 	<p>Blade being used on misaligned saw. Check for proper saw alignment.</p> <p>Blade is excessively "hard" for material being cut, creating stress on steel blade center. Check that blade is correct for material being cut.</p> <p>Different diameter or undersize blade flanges creates uneven pressure on blade center. Use proper size flange on each side of blade. Never use worn or damaged flanges.</p> <p>Blade operated at improper speed (R.P.M.). Make certain blade shaft is turning at the proper speed (R.P.M.) for blade size. Check R.P.M. using a tachometer.</p> <p>Blade improperly mounted on arbor. Could become bent when flanges are tightened.</p>
<p>Segment Loss</p> 	<p>Blade is too "hard" for material being cut. Use "softer" blade specification.</p> <p>Overheated blade, detected as "blue" color on steel center. Check that water supply is adequate and not blocked.</p> <p>Saw is twisted while cutting. Saw only in a straight line.</p> <p>Blade Bore is worn to an eccentric shape (ovalized). Replace worn blade and worn spindle.</p> <p>Segment knocked off during mounting or transport. Avoid rough handling of diamond blade. Never transport the machine with the diamond blade mounted.</p>
<p>Cracked Blade Core</p> 	<p>Blade is too "hard" for material being cut. Use "softer" blade specification.</p> <p>Overheated blade, detected as "blue" color on steel center. Check that water supply is adequate and not blocked.</p> <p>Saw is twisted while cutting. Saw only in a straight line.</p> <div style="border: 1px solid black; padding: 5px; margin-top: 10px;"> <p style="text-align: center;">! WARNING!</p> <p> DO NOT use damaged diamond blades! Death or injury could occur if machine is operated using damaged diamond blades!</p> </div>
<p>Cracked Blade Segments</p> 	<p>Blade is too "hard" for material being cut. Use "softer" blade specification.</p> <p>Blade operated at improper speed (R.P.M.). Make certain blade shaft is turning at the proper speed (R.P.M.) for blade size. Check R.P.M. using a tachometer.</p>

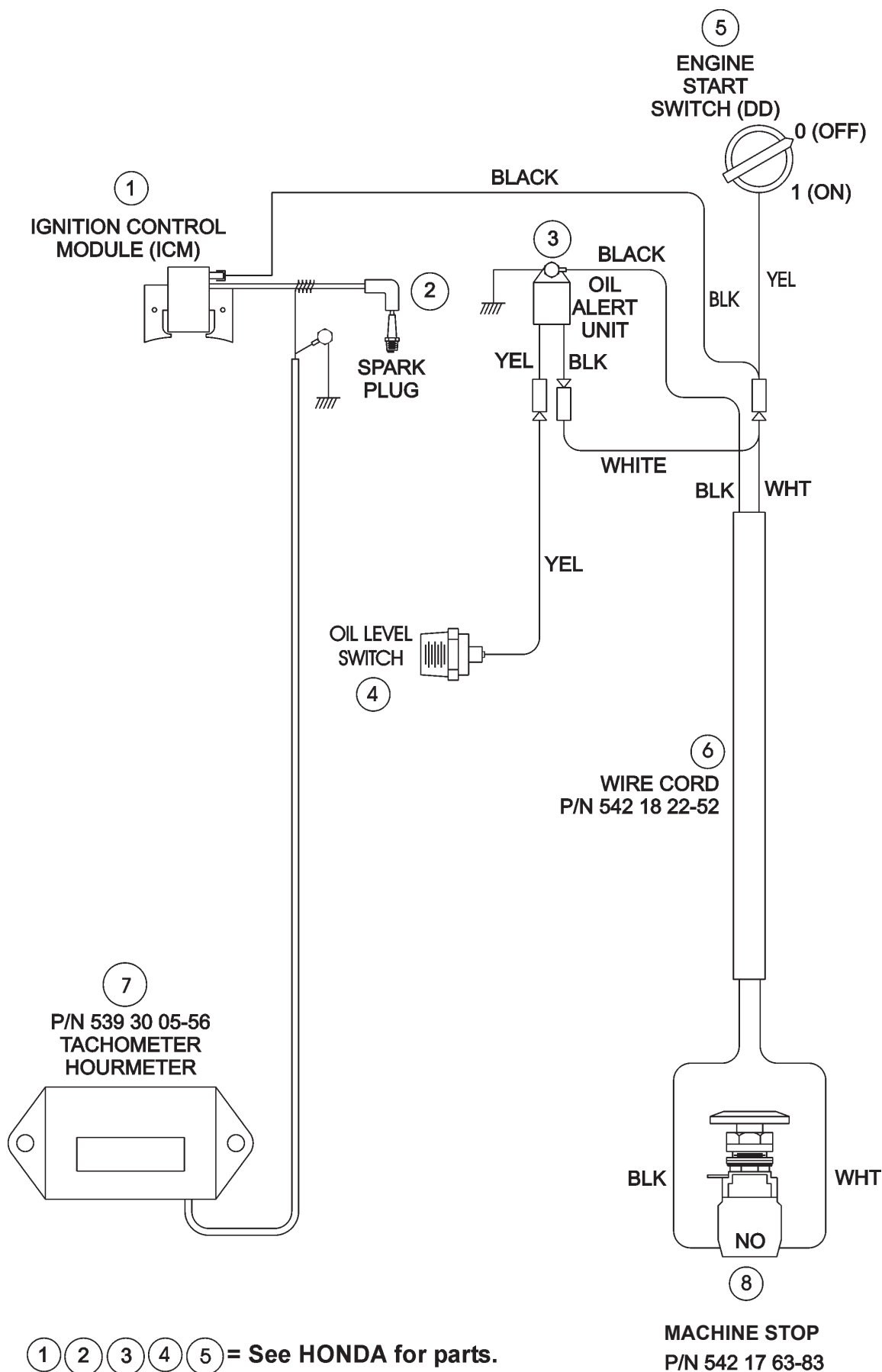
WIRING DIAGRAM (FS 520, FS 524)



WIRING DIAGRAM (FS 520, FS 524)

ITEM	PART NO	QTY	DESCRIPTION
1	502304815	1	WIRE HARNESS
2		1	WIRE HARNESS, ENGINE, HONDA
3	542182253	1	CABLE, BATTERY NEGATIVE
4	542182254	1	CABLE, BATTERY POSITIVE
5		1	STARTER, HONDA
6	542198815	1	FUSE, 30A
7		1	SWITCH, ENG. OIL LEVEL, HONDA
8		1	FUEL CUT SOLENIOD, HONDA
9		1	REGULATOR, HONDA
10		1	WIRE HARNESS, REGULATOR, HONDA
11		2	COIL, IGNITION HONDA
12		2	SPARK PLUG
13	542177920	1	SWITCH, IGNITION
14	541208318	1	BATTERY, 12 VOLT
15	505417701	1	MACHINE STOP
16	542166708	2	RELAY, NO/NC
17	539300556	1	TACH/HOURMETER
18	542204052	1	NEUTRAL START SWITCH

WIRING DIAGRAM (FS 513)



TECHNICAL DATA

FS 513

Noise emissions (see note 1)	
Sound power level, measured dB(A)	107
Sound power level, guaranteed dB(A)	110
Sound levels (see note 2)	
Sound pressure level at the operators ear, dB(A)	90
Vibration levels, a_{hv} (see note 3)	
Handle right, m/s^2	3.2
Handle left, m/s^2	3.3

Note 1: Noise emissions in the environment measured as sound power (L_{WA}) in conformity with EC directive 2000/14/EC.

Note 2: Noise pressure level according to EN 13862. Reported data for noise pressure level has a typical statistical dispersion (standard deviation) of 4.0 dB(A).

Note 3: Vibration level according to EN 13862. Reported data for vibration level has a typical statistical dispersion (standard deviation) of 1.5 m/s^2

FS 520

Noise emissions (see note 1)	
Sound power level, measured dB(A)	107
Sound power level, guaranteed dB(A)	110
Sound levels (see note 2)	
Sound pressure level at the operators ear, dB(A)	89
Vibration levels, a_{hv} (see note 3)	
Handle right, m/s^2	2.2
Handle left, m/s^2	2.2

Note 1: Noise emissions in the environment measured as sound power (L_{WA}) in conformity with EC directive 2000/14/EC.

Note 2: Noise pressure level according to EN 13862. Reported data for noise pressure level has a typical statistical dispersion (standard deviation) of 1.5 dB(A).

Note 3: Vibration level according to EN 13862. Reported data for vibration level has a typical statistical dispersion (standard deviation) of 1 m/s^2 .

FS 524

Noise emissions (see note 1)	
Sound power level, measured dB(A)	109
Sound power level, guaranteed dB(A)	112
Sound levels (see note 2)	
Sound pressure level at the operators ear, dB(A)	88
Vibration levels, a_{hv} (see note 3)	
Handle right, m/s^2	2.4
Handle left, m/s^2	1.8

Note 1: Noise emissions in the environment measured as sound power (L_{WA}) in conformity with EC directive 2000/14/EC.

Note 2: Noise pressure level according to EN 13862. Reported data for noise pressure level has a typical statistical dispersion (standard deviation) of 4.0 dB(A).

Note 3: Vibration level according to EN 13862. Reported data for vibration level has a typical statistical dispersion (standard deviation) of 1.5 m/s^2

TECHNICAL DATA



Machine Mass

Model	Nominal Mass-kg (lbs)	Maximum Mass-kg (lbs)
FS 513	186 (410)	221 (487)
FS 520	231 (509)	245 (540)
FS 524	233 (514)	248 (546)

Blade Shaft & Engine Speed

Model	Blade Shaft RPM	Engine RPM
FS 513	2700	3600
FS 520	2100	3600
FS 524	2100	3600

WARNING!

USE ONLY Blades (H) marked with a maximum operating speed greater than blade shaft speed of machine.

DO NOT change to a larger size blade without changing to proper belts and pulleys!

Cutting depth

Model	Blade Size mm (")	Max cutting depth mm (")
FS513	500 (20)	179 (7,2)
FS520	500 (20)	191 (7,7)
FS524	600 (24)	241 (9,7)

Arbor and Blade Flange Size

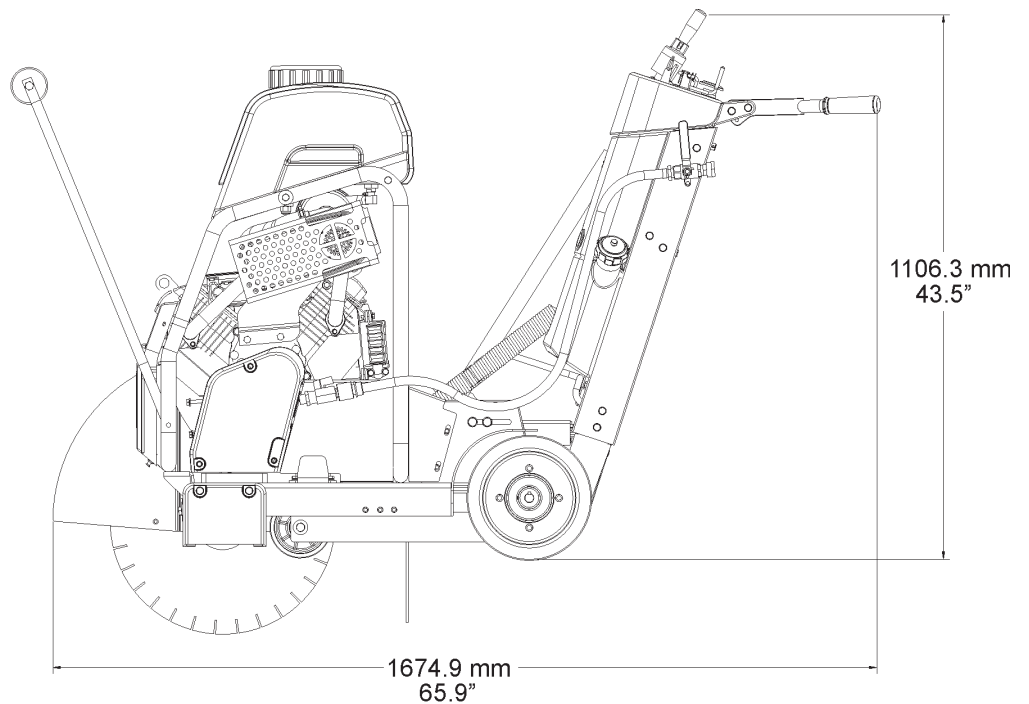
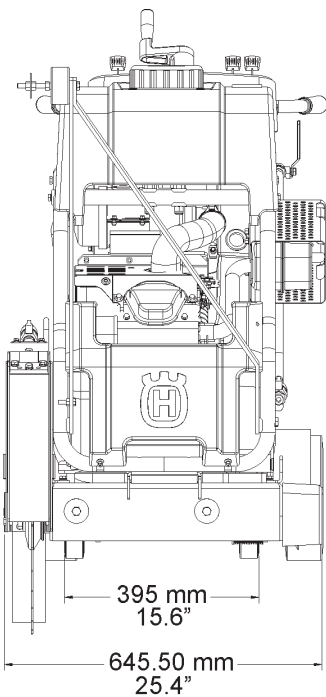
Arbor size, mm (inch)	25,4 (1)
Blade flange diameter, mm (inch)	114 (4,5)

Fuel Tank Capacity

Model	Capacity
FS 513	6,5 Liters (1.72 U.S. Gallons) (1,43 U.K. Gallons)
FS 520	7,9 Liters (2.1 U.S. Gallons) (1,7 U.K. Gallons)
FS 524	7,9 Liters (2.1 U.S. Gallons) (1,7 U.K. Gallons)

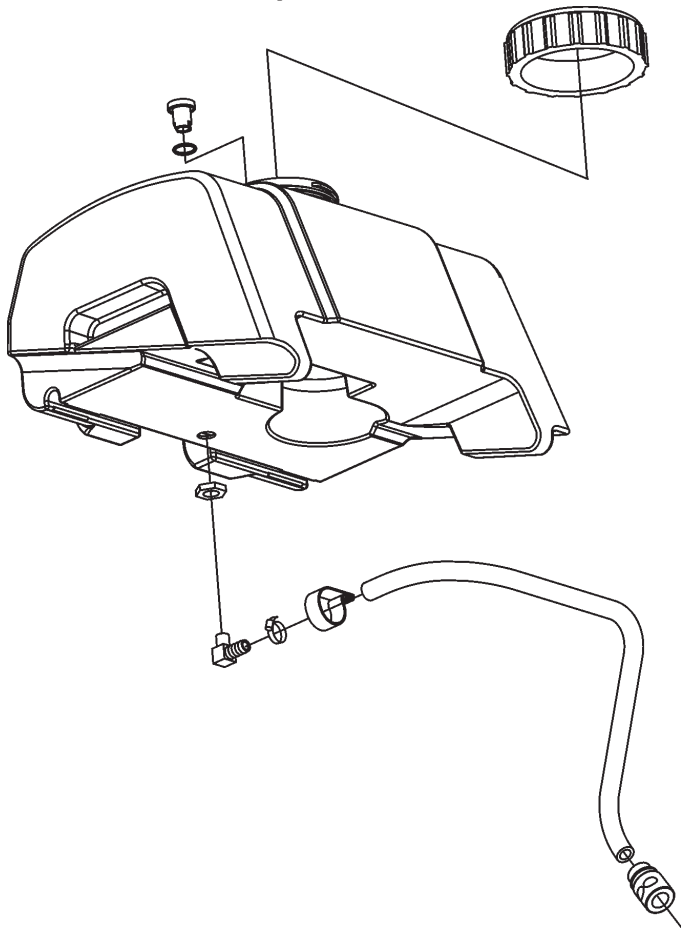
Water Tank Capacity

25 Liters (6.6 U.S. Gallons) (5.5 U.K. Gallons)



ACCESSORIES

Water Tank Assembly 541 20 82-86 Complete Kit



CONFORMITY CERTIFICATES

American National Standards Institute : For units used in the United States, this machine has been designed to comply with American National Standards Institute ANSI B7.1-2000, "Safety Requirements for the Use, Care and Protection of Abrasive Wheels". This standard can be purchased by contacting the American National Standards Institute at the address shown below:

American National Standards Institute
25 West 43rd Street, 4th floor
New York, NY 10036

Telephone: 212.642.4900
Fax: 212.398.0023
www.ansi.org

CALIFORNIA AIR RESOURCES BOARD (CARB): This machine is considered a preempt Off-Road Application as relating to CARB standards. Under construction equipment, and in particular, as a concrete saw (Saws: concrete, masonry, cutoff), with engine power less than 19KW (25 hp), CARB standards do not apply to this machine.

For more information see the website

<http://www.arb.ca.gov/msprog/offroad/preempt.htm>

EC Declaration of Conformity

(Applies to Europe only)

Husqvarna AB, SE-561 82 Huskvarna, Sweden, tel +46-36-146500, declares under sole responsibility that the flat saws **Husqvarna FS 513, FS 520, FS 524** from 2016's serial numbers and onwards (the year is clearly stated in plain text on the rating plate with subsequent serial number), complies with the requirements of the COUNCIL'S DIRECTIVES:

- of May 17, 2006 "relating to machinery" **2006/42/EC**.
- of February 26, 2014 "relating to electromagnetic compatibility" **2014/30/EU**.
- of May 8, 2000 "relating to the noise emissions in the environment" **2000/14/EC**.

The following standards have been applied: **EN ISO 12100:2010, CISPR12:2007+Amd1:2009, EN55012:2007+A1:2009, EN13862+A1:2009, EN ISO 14982:2009**.

SMP Svensk Maskinprovning AB, Box 7035, SE-750 07 Uppsala, Sweden, has performed voluntary type examination in accordance with the machinery directive (2006/42/EC) on behalf of Husqvarna AB. The certificate has the number: **SEC/17/2478**

Gothenburg 26 February 2016



Joakim Ed

Global R&D Director

Construction Equipment Husqvarna AB

(Authorized representative for Husqvarna AB and responsible for technical documentation.)

FEDERAL EMISSION CONTROL WARRANTY STATEMENT

YOUR WARRANTY RIGHTS AND OBLIGATIONS

The Environmental Protection Agency and Husqvarna Construction Products are pleased to explain the evaporative emission control system (EECS) warranty on your 2011 and later small off-road engine (SORE) or equipment. New SOREs or equipment must be designed, built, and equipped to meet the new stringent anti-smog standards. Husqvarna Construction Products must warrant the EECS on your SOREs or equipment for the period of time listed below provided there has been no abuse, neglect, or improper maintenance of your SOREs or equipment.

Your EECS may include parts such as the carburetor or fuel tanks, fuel lines, fuel caps, valves, canisters, filters, vapor hoses, clamps, connectors, and other associated components. The covered parts for 2011 and later are given below. When a warrantable condition exists, Husqvarna Construction Products will repair your SORE engine or equipment at no cost to you, including diagnosis, parts, and labor.

MANUFACTURER'S WARRANTY COVERAGE

This EECS is warranted for two (2) years. If any evaporative emission-related part included in the list of warranted EECS parts for your equipment is defective, the part will be repaired or replaced by Husqvarna Construction Products.

OWNER'S WARRANTY RESPONSIBILITIES

As the SORE owner, you are responsible for performance of the required maintenance listed in your owner's manual. Husqvarna Construction Products recommends that you retain all receipts covering maintenance on your SORE, but Husqvarna Construction Products cannot deny warranty solely for the lack of receipts. As the SORE owner you should be aware that Husqvarna Construction Products may deny you warranty coverage if your SORE or a warranted EECS part has failed due to abuse, neglect, or improper maintenance or unapproved modifications. You are responsible for presenting your SORE to a Husqvarna Construction Products service center as soon as the problem exists. The warranty repairs should be completed in a reasonable amount of time, not to exceed 30 days. If you have a question regarding your warranty coverage, you should contact the Husqvarna Construction Products service center at 1-800-288-5040 or www.USA.husqvarnacp.com.

GENERAL EMISSION WARRANTY COVERAGE

Husqvarna Construction Products warrants to the ultimate purchaser and each subsequent purchaser that your SORE or equipment is: Designed, built, and equipped to conform to all applicable regulations; and Free from defects in materials or workmanship that cause the failure of a warranted part to be identical in all material respects to that part as described in the original Husqvarna Construction Products Application for Certification. The warranty period begins on the date the equipment is delivered to the ultimate purchaser or first placed into service. The warranty period is two (2) years. Subject to certain conditions and exclusions as stated below, the warranty on covered emission-related parts is as follows:

- 1 Any warranted part that is not scheduled for replacement as required maintenance in the written instructions supplied is warranted for the warranty period stated above. If the part fails during the warranty period the part will be repaired or replaced by Husqvarna Construction Products according to subsection (4) below. Any such part repaired or replaced under warranty will be warranted for the remainder of the period.
- 2 Any warranted part that is scheduled for regular inspection in the written instructions supplied is warranted for the full warranty period. Any such part repaired or replaced under warranty will be warranted for the remaining warranty period.
- 3 Any warranted part that is scheduled for replacement as required maintenance in the written instructions supplied is warranted for the full warranty period before the first scheduled replacement date for that part. If the part fails before the first scheduled replacement, the part will be repaired or replaced by Husqvarna Construction Products according to subsection (4) below. Any such part repaired or replaced under warranty will be warranted for the remainder of the period prior to the first scheduled replacement point for the part.
- 4 Repair or replacement of any warranted part under the warranty provisions herein must be performed at a Service Center at no cost to the owner.
- 5 Notwithstanding the provisions herein, warranty services or repairs will be provided at all of our service centers that are franchised to service the subject engines or equipment.
- 6 The engine or equipment owner will not be charged for diagnostic labor that is directly associated with diagnosis of a defective emission-related warranted part, provided that such diagnostic work is performed at an authorized Service Center.
- 7 Husqvarna Construction Products may be liable for damages to other engine or equipment components proximately caused by a failure under warranty of any warranted part.
- 8 Throughout the warranty period stated above, Husqvarna Construction Products will maintain a supply of warranted parts sufficient to meet the expected demand for such parts.
- 9 Any replacement part may be used in the performance of any warranty maintenance or repairs must be provided without charge to the owner.
- 10 Add-on or modified parts that are not exempted by the Air Resources Board may not be used. The use of any non-exempt add-on or modified parts by the ultimate purchaser or subsequent purchaser will be grounds for disallowing a warranty claim. Husqvarna Construction Products will not be liable to warrant failures of warranted parts caused by the use of a non-exempted add-on or modified part.

FEDERAL EMISSION CONTROL WARRANTY STATEMENT

WARRANTED PARTS

The repair or replacement of any warranted part otherwise eligible for warranty coverage may be excluded from such warranty coverage if Husqvarna Construction Products demonstrates that the engine or equipment has been abused, neglected, or improperly maintained, and that such abuse, neglect, or improper maintenance was the direct cause of the need for repair or replacement of the part. That notwithstanding, any adjustment of a component that has a factory installed and properly operating adjustment limiting device is still eligible for warranty coverage. The following emission warranty parts are covered:

- 1 Liquid Fuel Lines
- 2 Fuel Line Clamps and Fittings
- 3 Fuel tank
- 4 Fuel System Vapor Vent Lines
- 5 Fuel cap
- 6 Fuel System Valves (rollover valves and anti-slosh valves where applicable)
- 7 Carbon Canister (where applicable)

CONTACT INFORMATION



Construction Products, North America

Corporate Office

17400 West 119th Street, Olathe, Kansas 66061 USA

Corporate Office: 913-928-1000

Corp. Office Fax: 913-438-7951

www.husqvarna.com

For local service, please contact your local Husqvarna Construction Products representative.

Para efectuar un servicio local, póngase en contacto con su representante local de Husqvarna Construction Products.

Pour toute réparation, contacter le représentant local de Husqvarna Construction Products.

Für Service vor Ort wenden Sie sich bitte an Ihren örtlichen Vertreter von Husqvarna Construction Products.

Neem voor plaatselijke service contact op met uw plaatselijke vertegenwoordiger van de constructieproducten van Husqvarna.

Per assistenza, rivolgersi al rappresentante di zona della Husqvarna Construction Products.

För service på platsen, kontakta din lokala representant för Husqvarna Construction Products.

Para obter serviço técnico local, contactar o representante da Husqvarna Construction Products

Europa / Europe:

Husqvarna Construction Products

SE-433 81 Partille, Sweden

Tel: +46 31 94 90 00

Fax: +46 31 94 90 50

Asia Pacific:

Husqvarna Construction Products, Australia Pty Ltd

25-31 Kinkaid Avenue,

North Plympton, Adelaide,

South Australia 5037

Tel:+61 (0)8 8375 1000

Fax:+61 (0)8 8371 0990

The Americas:

Husqvarna Construction Products, North America

17400 West 119th Street, Olathe, Kansas 66061 USA

Toll-Free Telephone: 800-288-5040, Telephone: 913-928-1300

Fax: 913-438-7938

CONTENIDO e INTRODUCCIÓN

Sección	Contenido	Página
Contenido e introducción.....		43
Símbolos y calcomanías.....		44-48
Instrucciones de seguridad.....		49-53
Identificación de piezas (qué es qué).....		54-56
Ensamblado.....		57-61
Funcionamiento.....		62-68
Mantenimiento y lubricación.....		69-74
Guía para la determinación y resolución de problemas.....		75
Diagrama de cableado.....		76-78
Datos técnicos.....		79-80
Accesorios.....		81
Certificados de cumplimiento.....		82
Información de contacto.....		83

Introducción

Gracias por adquirir su nueva máquina de Husqvarna Construction Products. Este manual, al igual que la máquina, incluyen importantes mensajes de seguridad. Por favor léalos detenidamente. Un mensaje de seguridad le alerta sobre peligros potenciales que podrían resultar en lesiones para usted u otras personas. Cada mensaje está precedido por un símbolo o por el símbolo de alerta de seguridad (▲) además de una de estas dos palabras: **ADVERTENCIA** o **PRECAUCIÓN**.

Estas palabras de aviso significan:

▲ ADVERTENCIA: indica una situación peligrosa que, de no evitarse, PODRÍA resultar en muerte o lesiones graves.

▲ PRECAUCIÓN: indica una situación peligrosa que, de no evitarse, PODRÍA resultar en lesiones leves o moderadas. También se puede utilizar como alerta contra prácticas inseguras.

Cada mensaje indica cuál es el peligro, qué puede ocurrir y qué puede hacer usted para evitar o reducir las lesiones. Otros mensajes importantes están precedidos por la palabra **AVISO**.

AVISO significa:

AVISO: indica una situación peligrosa que, de no evitarse, podría resultar en daños a la propiedad. La no observancia de estas instrucciones puede resultar en daños a la máquina u otra propiedad.

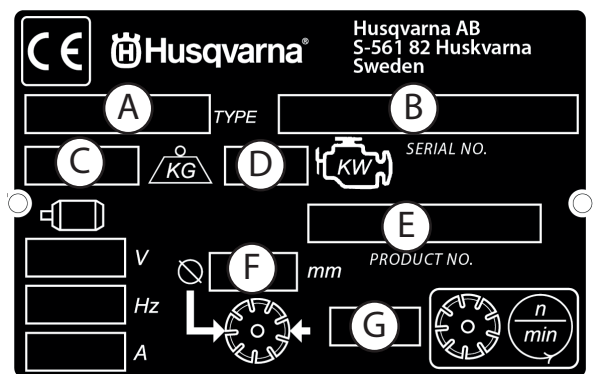
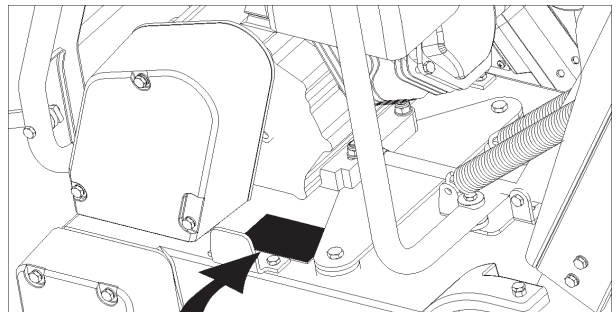
El usuario debe inspeccionar y limpiar periódicamente las etiquetas de seguridad para mantener la legibilidad a una distancia segura. Si la etiqueta está gastada, dañada o es ilegible, deberá cambiarse.

▲ ¡ADVERTENCIA!

Antes de operar la máquina, lea íntegramente y comprenda las instrucciones de este manual de operación y el manual de operación del motor provisto con el mismo.

¡Familiarícese con la máquina antes de utilizarla!

Identificación del modelo: anote la información de la placa con el número de serie, que se ilustra a continuación, para referencia futura.



- A. Modelo: _____
- B. Fecha de fabricación, año semana, número de serie: _____
- C. Masa de la máquina (kg) _____
- D. Potencia del motor (KW) _____
- E. Número de producto _____
- F. Diámetro de la hoja (mm) _____
- G. Velocidad de la hoja (revoluciones/minuto) _____

Información adicional que no se incluye en la placa de serie de la máquina:

N.º de serie del motor: _____

Consultar el Manual de operación del motor para determinar su ubicación.

Fecha de compra: _____

SÍMBOLOS y CALCOMANÍAS



Lea las instrucciones de uso antes de operar la máquina por primera vez.



Este símbolo indica que la máquina cumple con las directivas pertinentes de la Unión Europea.



Obligatorio



Indicación



Prohibición



Triángulo de advertencia



Usar gafas protectoras



Usar protección respiratoria



Es obligatorio utilizar protección auditiva



Usar casco de protección



Usar calzado protector



Usar indumentaria apropiada



Quite la cuchilla antes de levantar, cargar, descargar y transportar la máquina



Parada de la máquina, detener la transmisión



Usar en un área bien ventilada



No usar en áreas inflamables



Maquinaria peligrosa, mantenga las manos y los pies alejados



Silenciador caliente. Puede causar quemaduras y / o incendiar materiales. Evítese el contacto



Advertencia, gas de escape tóxico



Área limitada para el personal de trabajo



No fumar



No operar sin el protector de cuchilla instalado



Siempre mantenga todos los protectores instalados



Suministro de agua Encendido (ON)



Suministro de agua Apagado



Suministro de agua

SÍMBOLOS y CALCOMANÍAS



Conmutador de seguridad de agua de la cuchilla



Temperatura del refrigerante del motor



Mantenga el área de trabajo limpia / bien iluminada, quite todo elemento que ponga en riesgo la seguridad



Nivel de ruido peligrosamente elevado



Preste mucha atención al cuidado y protección de la máquina antes de ponerla en marcha



Quite toda herramienta del área o de la máquina



Presión de aceite del motor



Añada aceite



Varilla de medición, mantenga el nivel de aceite correcto



Punto de lubricación



Alta velocidad



Baja velocidad



Interruptor eléctrico – Apagado (OFF)



Interruptor eléctrico – Encendido (ON)



Interruptor eléctrico – Arranque (Start).



Las reparaciones se deben realizar exclusivamente por un distribuidor autorizado



Luz alta



Cuchilla adiamantada



Diámetro de la cuchilla



Enganche de la cuchilla



Diámetro de la polea



Revoluciones por minuto, velocidad de rotación



Diámetro de la brida de la cuchilla



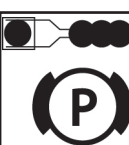
Tope de profundidad de la cuchilla



Indicador de profundidad de corte - Profundidad de corte



Freno de estacionamiento



Freno de estacionamiento - Activado



Freno de estacionamiento - Desactivado

SÍMBOLOS y CALCOMANÍAS



Peso de la máquina (kilogramos)



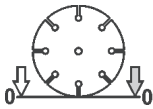
Detención del motor



Terminal positivo de la batería



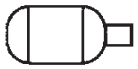
Puesta en marcha del motor



Indicador de profundidad de la cuchilla – Cero



Motor en funcionamiento



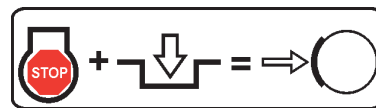
Motor eléctrico



Desembragar para poner en marcha el motor (Arranque en punto muerto)



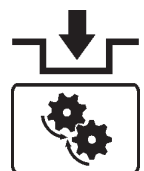
Motor



Detener el motor y embragar la transmisión para activar el freno de estacionamiento



Velocidad del motor, revoluciones / minuto



Embragar la transmisión



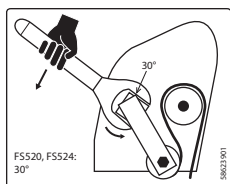
Puesta en marcha del motor



Desembragar la transmisión



Usar combustible sin plomo solamente



Llave de 30°



La flecha en el protector de la herramienta indica la dirección de la rotación.



Las emisiones sonoras en el entorno según la directiva de la Comunidad Europea. Las emisiones de la máquina se indican en el capítulo "Datos técnicos" y en la etiqueta.

SÍMBOLOS y CALCOMANÍAS

FS 513

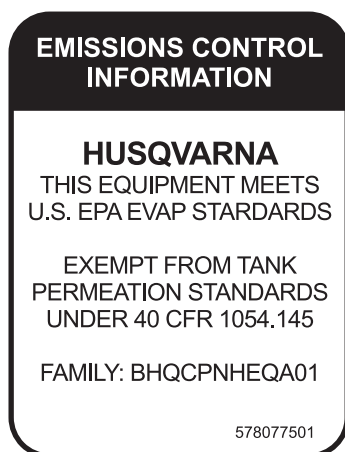
P/N 542 19 07-08 (2)
Ubicación: Lado derecho e izquierdo de la cubierta (solo FS 513)

FS 520

P/N 542 19 07-09 (2)
Ubicación: Lado derecho e izquierdo de la cubierta (solo FS 520)

FS 524

P/N 542 19 07-10 (2)
Ubicación: Lado derecho e izquierdo de la cubierta (solo FS 524)



P/N 578077501
Ubicación: Bastidor superior derecho (solo FS 520, FS 524)



P/N 542 19 07-33
Ubicación: Parte delantera de la cubierta

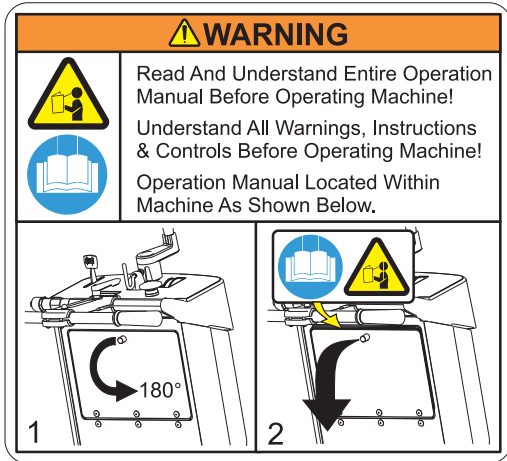


P/N 542 16 72-98 (2x)
Ubicación: Lado izquierdo y derecho de la protección de la hoja (solo FS 513, 520)



P/N 542 19 05-89
Ubicación: Calibrador de profundidad

SÍMBOLOS y CALCOMANÍAS



P/N 542 19 05-93

Ubicación: Parte trasera de la cubierta



P/N 542 19 06-17

Ubicación: Depósito de agua (si está instalado)



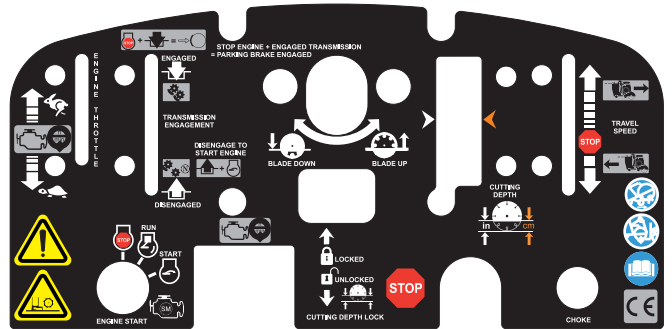
P/N 542 16 90-65

Ubicación: Parte superior de la protección de la correa

PATENT PENDING

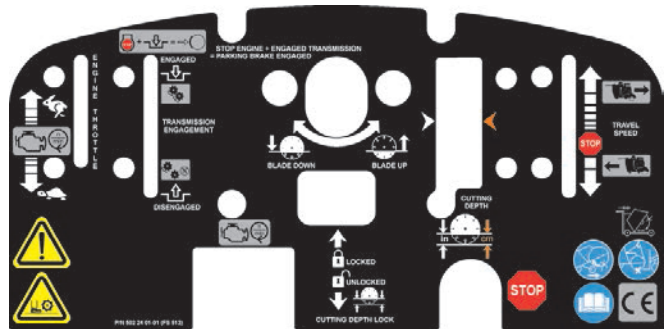
P/N 542 16 12-35 PATENTE EN TRÁMITE

Ubicación: Bastidor superior derecho



P/N 502 24 01-03

Ubicación: Parte superior de la cubierta, FS 520, FS 524



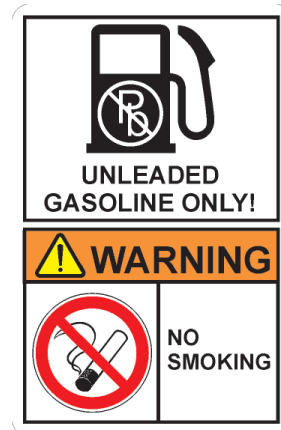
P/N 502 24 01-01

Ubicación: Parte superior de la cubierta, FS 513



P/N 542 19 06-38

Ubicación: Parte trasera de la cubierta






P/N 542 19 06-39


Ubicación: Bastidor cerca del relleno de combustible (FS 520, FS 524)


INSTRUCCIONES DE SEGURIDAD


Uso general

 ¡ADVERTENCIA!	
	Antes de operar la máquina, lea íntegramente y comprenda este manual de operación y el manual de operación del motor provisto con el mismo.
	¡Familiarícese con la máquina antes de utilizarla!

	El operador debe utilizar equipo protector personal e indumentaria acorde al tipo de trabajo a realizar. Es obligatorio el uso de equipo protector personal, como protección auditiva y ocular.
---	--


	El área de trabajo debe estar completamente despejada, bien iluminada y sin elementos que presenten un riesgo para la seguridad.
---	---

	Toda persona no involucrada con el trabajo debe abandonar el área.
--	---


	¡ADVERTENCIA! No toque la herramienta cuando la máquina está en funcionamiento.
---	--

	¡ADVERTENCIA! El eje de disco gira cuando se arranca el motor.
---	---

Seguridad sobre el combustible:

	¡ADVERTENCIA! Preste atención al manipular combustible. Recuerde que existen riesgos de incendio, explosión e inhalación de vapores.
---	---

- Almacene combustible sólo en contenedores aprobados para dicho fin.
- Cargue combustible en la máquina sólo cuando el motor está APAGADO. Nunca quite la tapa de combustible y cargue el tanque cuando el motor está en funcionamiento.
- Cargue siempre combustible en un área bien ventilada.
- Nunca cargue el tanque de combustible en un espacio cerrado.
- Antes de cargar combustible permita que el motor se enfríe.

	Nunca cargue combustible cerca de chispas o llamas. No use la máquina en un área inflamable.
---	---

	No fume al cargar combustible o usar la máquina.
---	---

- Antes de arrancar el motor, desplace la máquina a 3 metros (10 pies) del área de carga de combustible.
- Nunca arranque la máquina bajo las condiciones siguientes:
 - 1) Si derramó combustible sobre la misma. Quítelo con un trapo y permita que se evapore el resto.
 - 2) Si derramó combustible sobre usted o sobre sus ropas. Lave con agua y jabón toda parte del cuerpo que haya estado en contacto con el combustible.
 - 3) Si la máquina pierde combustible. Controle periódicamente para determinar si existen pérdidas a través de la tapa o de las líneas de combustible.
- Almacene y transporte la máquina y el combustible de manera tal que no existan riesgos de pérdidas o vapores que puedan entrar en contacto con chispas o llamas; por ejemplo, máquinas o motores eléctricos, relés / interruptores eléctricos o calderas.



ADVERTENCIA SOBRE EL POLVO

El proceso de cortado, especialmente al cortar EN SECO, produce polvo que se desprende del material que se corta, que normalmente contiene sílice. El sílice es un componente básico de la arena, cuarzo, arcilla de ladrillo, granito y muchos otros minerales y rocas. La exposición a cantidades excesivas de este polvo puede causar:

- Enfermedades respiratorias (que afectan su capacidad respiratoria), entre otras bronquitis crónica, silicosis y fibrosis pulmonar por exposición al sílice. Estas enfermedades pueden ser mortales;
- Irritación de la piel y urticaria;
- Cáncer, según el NTP* y el IARC*

* Programa de Toxicología Nacional, Agencia Internacional para la Investigación sobre el Cáncer

Tome medidas preventivas

- Evite el contacto con la piel o la inhalación de polvo, pulverizaciones y vapores;
- Cuando sea posible haga cortes húmedos para minimizar el polvo;
- Use protección respiratoria adecuada como máscaras diseñadas para filtrar partículas microscópicas, y asegúrese de que todas las personas en el área utilicen la misma protección (Véase OSHA [Secretaría de Seguridad y Sanidad Ocupacional] 29 CFR Parte 1910.1200).

Advertencia Prop 65 de California:

El uso de este producto puede causar la exposición a materiales que, según el estado de California, pueden causar cáncer y/o defectos de nacimiento y otros daños reproductivos.

INSTRUCCIONES DE SEGURIDAD



ADVERTENCIA GAS DE ESCAPE TÓXICO



ESTA SIERRA SE ENVÍA DE FÁBRICA SIN CONVERTOR CATALÍTICO.

EL MOTOR PRODUCE EMISIONES DE ESCAPE DE MONÓXIDO DE CARBONO Y NO ES SEGURO UTILIZARLO EN ÁREAS CERRADAS. AUNQUE EL USO DE UN CONVERTOR CATALÍTICO DISMINUYE LAS EMISIONES DE ESCAPE DE MONÓXIDO DE CARBONO, NO ES SEGURO UTILIZAR LA MÁQUINA EN ÁREAS CERRADAS.

UTILÍCESE SOLAMENTE EN ÁREAS BIEN VENTILADAS. LA CALIDAD DEL AIRE EN EL ÁREA DE TRABAJO DEBE CUMPLIR CON LAS INDICACIONES DE OSHA 29 CFR 1910.1000 SEGÚN LA TABLA Z-1, LÍMITES DE CONTAMINANTES DEL AIRE.

SUPERVISE LA CALIDAD DEL AIRE DEL ÁREA DE TRABAJO PARA ASEGURARSE DE QUE CUMPLA CON LAS REGLAMENTACIONES. DE LO CONTRARIO SE PUEDEN PRODUCIR RIESGOS MORTALES Y CAUSAR LESIONES PERMANENTES O MUERTE.

Información general

El monóxido de carbono (CO) tiene la particularidad de ser uno de los pocos gases que se usan comúnmente en la industria y que es a la vez elevadamente tóxico (venenoso) e inodoro. Cuando se inhala, el CO actúa como un químico asfixiante al combinarse particularmente con la hemoglobina en el torrente sanguíneo. Como resultado, la hemoglobina no puede transportar la cantidad normal de oxígeno, lo cual resulta en la oxigenación insuficiente de los tejidos. Entre los síntomas de exposición a niveles bajos de CO se incluye dolores de cabeza, mareos, confusión y náusea. **No obstante, la exposición continua o a niveles más elevados puede resultar en pérdida de conocimiento, lesiones permanentes y muerte.** Dados los riesgos a la salud relativos a la inhalación de CO, la Secretaría de Seguridad y Sanidad Ocupacional (OSHA) ha impuesto límites de exposición personal. Los límites de exposición de la OSHA, que se especifican en 29 CFR 1910.1000 (Revisión 1998), permiten un límite superior de 200 PPM y un peso ponderado promedio (TWA, por sus siglas en inglés) de 35 PPM por turno de 8 horas/semana laboral de 40 horas. Se recomienda especialmente consultar el OSHA 29 CFR 1910.1000 (Código de reglamentaciones federales) para obtener más información sobre los límites de exposición a diversos materiales peligrosos. Ante sospecha de intoxicación por CO, traslade a la víctima inmediatamente al aire fresco y busque atención médica de emergencia.

Ventilación adecuada:

ESTA SIERRA SE ENVÍA DE FÁBRICA SIN UN CONVERTOR CATALÍTICO. Es importante saber que las sierras con convertidores catalíticos reducen las emisiones de CO e hidrocarburos (HC). El escape contiene aún CO. Si el espacio de trabajo es muy reducido o no cuenta con la ventilación adecuada, el CO se puede acumular hasta finalmente sobrepasar los límites estipulados por la OSHA. En dichos casos se deben tomar las medidas necesarias para quitar a los trabajadores de las áreas con concentraciones elevadas. Los operadores y los supervisores del área de trabajo deben tomar las precauciones necesarias para asegurar la adecuada ventilación del área en todo momento. Se deben utilizar monitores para la detección de monóxido de carbono a fin de determinar si se cuenta con la ventilación adecuada.



ADVERTENCIA RIESGOS AUDITIVOS

DURANTE EL USO NORMAL DE ESTA MÁQUINA EL OPERADOR PODRÁ ESTAR EXPUESTO A NIVELES DE RUIDO DE **85 dB (Acústicos)** O SUPERIORES. SE PUEDEN PRODUCIR DAÑOS AUDITIVOS TEMPORALES Y/O PERMANENTES. SE REQUIERE EL USO DE PROTECCIÓN AUDITIVA.

NOTAS

INSTRUCCIONES DE SEGURIDAD

¡LA SEGURIDAD ES LO PRIMERO!



ADVERTENCIAS LOS SÍ Y LOS NO



ADVERTENCIA: EL INCUMPLIMIENTO DE ESTAS ADVERTENCIAS E INSTRUCCIONES DE OPERACIÓN PUEDE RESULTAR EN MUERTE O ACCIDENTES PERSONALES GRAVES.

SÍ

- SÍ Lea íntegramente este manual del operador antes de utilizar la máquina. Lea y asegúrese de comprender todas las advertencias, instrucciones, controles y definiciones de símbolos que se incluyen en este manual y en la máquina.
- SÍ Siempre provea una copia de este manual al usuario del equipo. Si necesita copias adicionales, llame GRATIS al 1-800-288-288-5040 (en los Estados Unidos) o al + 1-913-928-1300 (desde el extranjero), o consulte la sección "Información de contacto" en este manual.
- SÍ Mantenga todo los protectores en su sitio y en buen estado.
- SÍ Utilice protección aprobada para los oídos, ojos, cabeza y sistema respiratorio.
- SÍ Lea y comprenda todas las advertencias e instrucciones de la máquina.
- SÍ Mantenga toda parte de su cuerpo alejada de la máquina y de toda otra pieza móvil.
- SÍ Sepa cómo detener la máquina rápidamente en caso de una emergencia.
- SÍ Apague el motor y deje que se enfríe antes de volver a cargar combustible o de realizar tareas de mantenimiento.
- SÍ Antes de instalar la cuchilla, inspecciónela, al igual que las bridas y ejes, para determinar si hay daños.
- SÍ Utilice el tamaño de brida para cuchilla ilustrado para cada medida de cuchilla.
- SÍ Utilice solamente cuchillas adiamantadas con centro de acero para usar con sierras para hormigón.
- SÍ Utilice solamente las bridas para cuchilla provistas con la sierra. Nunca utilice bridas para cuchillas que estén dañadas o gastadas.
- SÍ Utilice solamente cuchillas indicadas para una velocidad máxima de operación superior a la velocidad del eje de la cuchilla. Para verificar la velocidad, controle las revoluciones por minuto del eje de la cuchilla y los diámetros de la polea y de la brida de la cuchilla.
- SÍ Para verificar la configuración del accionador, controle las revoluciones por minuto del eje de la cuchilla, el diámetro de las poleas y el diámetro de la brida de la cuchilla.
- SÍ Lea los materiales e instrucciones de seguridad que acompañan cada cuchilla que se utilice con esta máquina.
- SÍ Inspeccione cada cuchilla cuidadosamente antes de utilizarla. Ante signos de daños o desgaste inusual, **NO USE LA CUCHILLA.**
- SÍ Monte la cuchilla fuerte y firmemente, apriete la tuerca del eje con una llave.
- SÍ Antes de montar la cuchilla en la sierra, asegúrese de que tanto la cuchilla como las bridas estén limpias y sin restos de polvo y suciedad.
- SÍ Use la cuchilla correcta para el tipo de trabajo a realizar. Consulte con el fabricante de la cuchilla para saber si ésta es correcta o no.
- SÍ Tenga cuidado y siga las instrucciones al cargar y descargar la máquina.
- SÍ Opere esta máquina solamente en áreas bien ventiladas. La inhalación de gases de escape tóxicos puede causar la muerte.
- SÍ Indique a las personas en el área en dónde se deben ubicar cuando la máquina está en funcionamiento.
- SÍ Establezca un programa de capacitación para todos los operadores de esta máquina.
- SÍ Solicite a toda persona no involucrada en el trabajo que se retire del área. Nunca permita que una persona se sitúe delante o detrás de la cuchilla cuando el motor está en funcionamiento.
- SÍ Antes de arrancar el motor, asegúrese de que la cuchilla no esté en contacto con ningún elemento.
- SÍ Tenga cuidado al levantar y transportar la máquina.
- SÍ Siempre ate la máquina al transportarla.
- SÍ Tenga cuidado y siga las instrucciones al preparar o transportar la máquina.
- SÍ Asegúrese de que el servicio y mantenimiento sea realizado por personal competente.
- SÍ Antes de montar la cuchilla, verifique que el agujero para el árbol coincida con el husillo de la máquina.
- SÍ Antes de comenzar a cortar, verifique siempre que no haya riesgos ocultos, como conductos eléctricos o de gas. Póngase siempre en contacto con las empresas de servicios públicos locales antes de operar la máquina en áreas desconocidas.
- SÍ Desplace la máquina a 3 metros (10 pies) como mínimo del punto de abastecimiento de combustible antes de poner en marcha el motor, y asegúrese de que la tapa de combustible está en la máquina y debidamente apretada.
- SÍ Sólo levante la máquina desde el punto de izado indicado.
- SÍ Limpie la máquina todos los días después de usarla.
- SÍ Utilice el tamaño de brida adecuado para cada medida de cuchilla. No utilice nunca bridas para cuchillas que estén dañadas o gastadas.
- SÍ Tenga cuidado al manipular combustible.
- SÍ Sólo corte en línea recta y a la profundidad que requieran las especificaciones del trabajo.

INSTRUCCIONES DE SEGURIDAD

¡LA SEGURIDAD ES LO PRIMERO!



ADVERTENCIAS LOS SÍ Y LOS NO



ADVERTENCIA: EL INCUMPLIMIENTO DE ESTAS ADVERTENCIAS E INSTRUCCIONES DE OPERACIÓN PUEDE RESULTAR EN MUERTE O ACCIDENTES PERSONALES GRAVES.

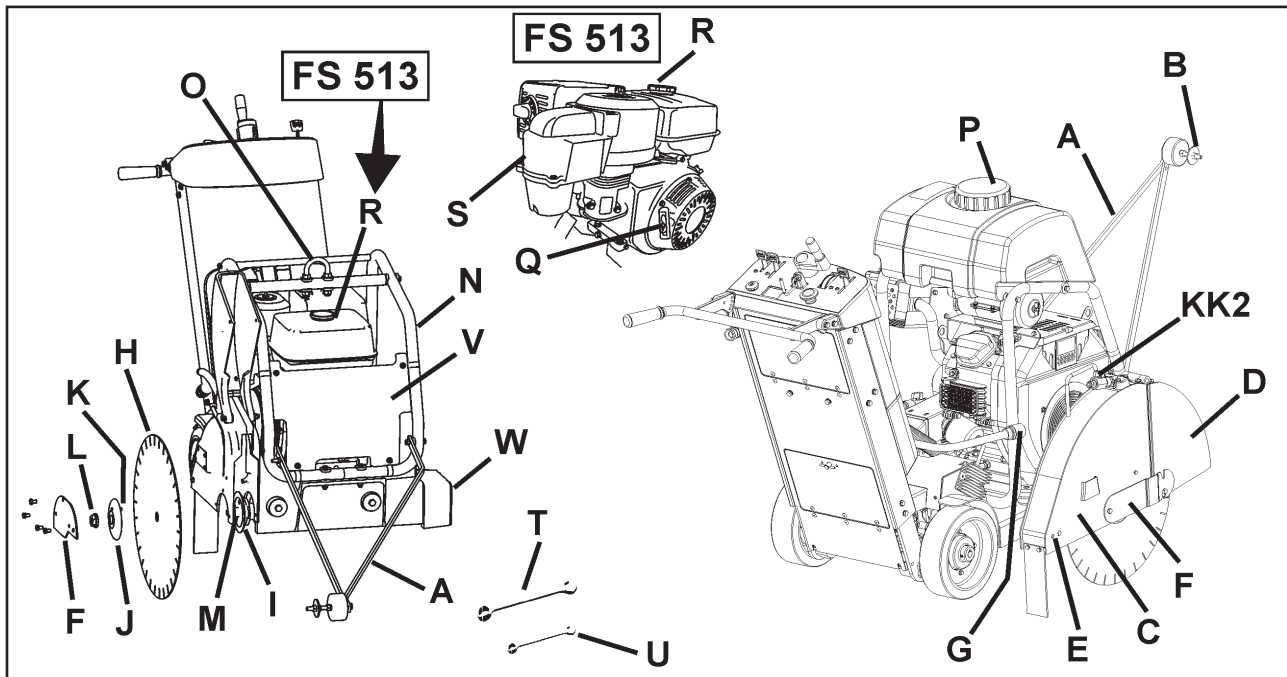
NO

- NO Opere la máquina si no ha leído y comprendido el manual del operador.
- NO Opere la máquina si el protector de la cuchilla u otros elementos protectores no están en su sitio.
- NO Permanezca detrás o delante del recorrido de la cuchilla cuando el motor está en funcionamiento.
- NO Deje la máquina sin supervisar cuando el motor está en funcionamiento.
- NO Realice tareas de mantenimiento en la máquina cuando el motor está en funcionamiento.
- NO Opere la máquina si está cansado, fatigado o bajo la influencia de drogas o alcohol.
- NO Use una cuchilla para cortes húmedos sin contar con el suministro de agua correspondiente para la misma.
- NO Sobrepase la velocidad que se indica para cada tamaño de cuchilla. La velocidad excesiva puede resultar en la rotura de la cuchilla.
- NO Opere la máquina si no está seguro cómo manejarla.
- NO Use equipo o cuchillas dañadas.
- NO Toque o trate de detener una cuchilla en movimiento con la mano.
- NO Incline, presione, bloquee o tuerza la cuchilla en un corte.
- NO Transporte la máquina cortadora sin antes quitarle la cuchilla.
- NO Use una cuchilla si se ha caído o está dañada.
- NO Use cuchillas con puntas de carburo metálico.
- NO Toque una cuchilla adiamantada de corte en seco inmediatamente después usarla. Estas cuchillas necesitan varios minutos para enfriarse después de cada corte.
- NO Utilice bridas para cuchillas que estén dañadas o gastadas.
- NO Permita que otras personas estén cerca de la máquina durante el arranque, recarga de combustible o cuando la máquina está en funcionamiento.
- NO Opere la máquina en un área cerrada. La inhalación de gases de escape tóxicos puede causar la muerte.
- NO Opere la máquina cerca de elementos inflamables. Las chispas pueden causar un incendio o una explosión.
- NO Permita que la cuchilla sobresalga más de 180° de la protección.
- NO Opere la máquina sin la protección de la correa o de la cuchilla.
- NO Opere la máquina si no está capacitado específicamente para operarla.
- NO Use una cuchilla que ha sido recalentada (el núcleo tiene un color azulado).
- NO Acumule material en la cuchilla.
- NO Haga cortes con el lateral de la cuchilla.
- NO Remolque la máquina detrás de un vehículo
- NO Opere la máquina si se quitado alguna protección.
- NO Haga cortes de más de 2,5 cm. de profundidad por pase con una cuchilla para cortes en seco Para cortes profundos hágalo en varios pasos.
- NO Opere la máquina si está bajo la influencia de drogas o alcohol.

Esta sierra ha sido diseñada para ciertas aplicaciones solamente. NO modifique la sierra ni la utilice para aplicaciones diferentes de las que fuera diseñada. Ante toda pregunta sobre su aplicación, NO use la sierra sin antes consultar por escrito con Husqvarna Construction Products y guarde nuestra respuesta.

Husqvarna Construction Products North America
17400 West 119th Street, Olathe, Kansas 66061 Estados Unidos

IDENTIFICACIÓN DE LAS PIEZAS (QUÉ ES CADA PIEZA)



A. Puntero delantero: úselo para guiar la máquina en línea recta.

B. Rueda de guía: ubicada en el puntero delantero (A). Alinéela con la línea de corte y la cuchilla (H) para obtener cortes rectos.

C. Protección de la cuchilla: cubre la cuchilla (H). ¡Debe estar siempre en su sitio al operar la máquina! Observe la dirección de la herramienta según se marca en la protección con una flecha.

D. Protección delantera de la cuchilla: forma parte de la protección de la cuchilla. Se puede levantar para instalar la cuchilla (H).

E. Tornillo trasero de la protección de la cuchilla: mantiene la protección de la cuchilla (C) en su sitio. Se debe quitar y volver a reubicar si se mueve la protección de la cuchilla. (C).

F. Placa de cierre de la protección de la cuchilla: cubre la brida exterior (J).

G. Desconexión de la manguera de agua (G): conecta la protección de la cuchilla (C) a la válvula de control de agua (KK1, KK2) o al tanque de agua (P). Se puede utilizar cuando la protección de la cuchilla (C) se monta en el lado izquierdo o derecho de la máquina.

H. Cuchilla: herramienta para cortar asfalto u hormigón (no se incluye con la máquina).

I. Brida interior: árbol al que se monta la cuchilla (H). Se debe cambiar si está dañada o gastada.

J. Brida exterior: se utiliza para sujetar la cuchilla (H) en su sitio. Contiene un pasador de seguridad (K) que debe pasar por la cuchilla (H). Se debe cambiar si está dañado o gastado.

K. Pasador de seguridad: mantiene la cuchilla (H) en su sitio. Se debe cambiar si está dañado o gastado.

L. Tuerca del eje de la cuchilla (L1 / L2): sujeta la brida exterior (J) a la máquina. La tuerca (L1) en el lado derecho de la máquina lleva roscas en sentido antihorario. La tuerca (L2) (no se ilustra) en el lado izquierdo de la máquina lleva roscas en sentido horario.

M. Árbol de la cuchilla: la cuchilla (H) se monta en esta superficie.

N. Tanque de agua / Soporte del punto de izado: sujeta el tanque de agua (P). Soporta el punto de izado (O).

O. Punto de izado: levante la máquina solamente desde este punto.

P. Tanque de agua (si se incluye): 25 litros (6,6 galones EE.UU.) de capacidad de agua. ¡Llene con agua solamente! ¡No lo llene con gasolina u otras sustancias inflamables! Use solamente para suprimir el polvo durante los cortes en seco. Use solamente con cuchillas adiamantadas (H) soldadas con láser (en seco).

Q. Cuerda de arranque del motor (FS 513 solamente): use para poner en marcha el motor. Consulte el manual de funcionamiento del motor.

R. Tanque de combustible: boca de llenado de combustible.

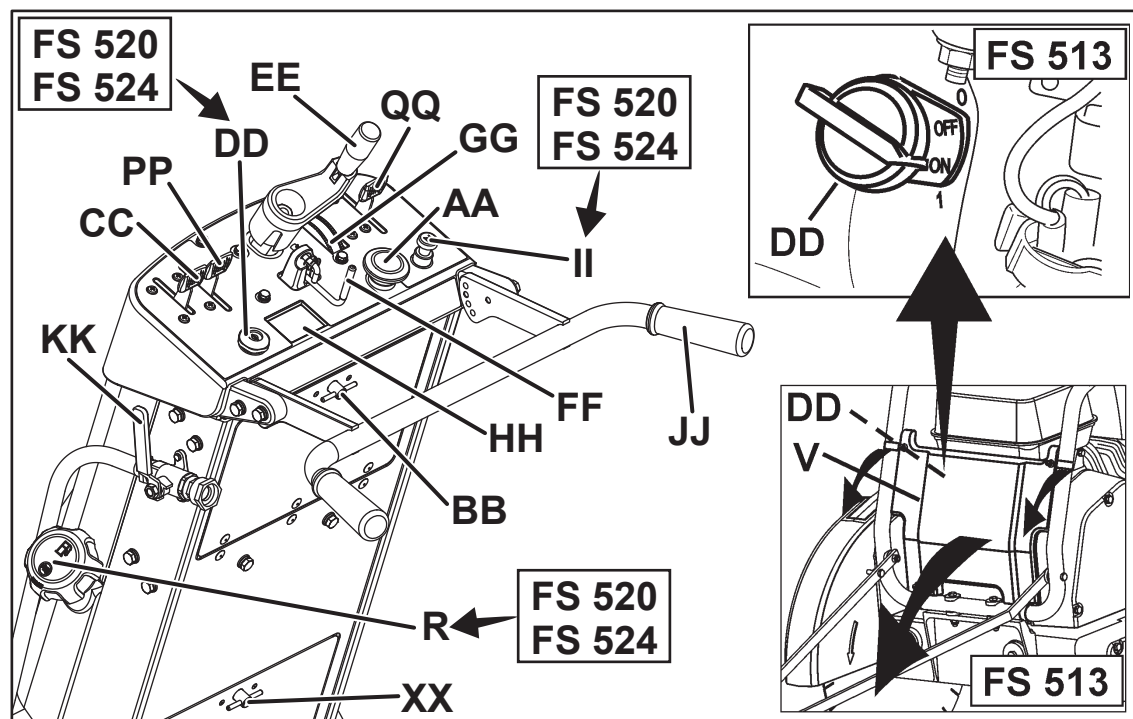
FS 520, FS 524: situado en la parte trasera de la máquina. La boca de llenado de combustible se encuentra a la izquierda del tanque de combustible.

FS 513: situado en el motor; véase el manual de funcionamiento del motor.

S. Filtro de aire del motor (se ilustra el FS 513): contrólole diariamente. Límpielo cada cuatro (4) horas cuando corte en condiciones de mucho polvo. Consulte el manual de funcionamiento y la sección de mantenimiento de este documento.

T. Llave del eje de la cuchilla (27 mm): úsela para instalar y quitar la cuchilla (H). Guárdela en el compartimiento de herramientas (BB).

IDENTIFICACIÓN DE LAS PIEZAS (QUÉ ES CADA PIEZA)



U. Llave (13 mm): úsela para realizar el mantenimiento de varios elementos de la máquina. Guárdela en el compartimiento de herramientas (BB).

V. Cubierta delantera: se engancha al soporte del tanque de agua (N). Ábrala para girar el interruptor de arranque del motor (DD) de ENCENDIDO (ON) (1) o APAGADO (OFF) (0).

W. Protección del eje: protege la brida interior (I). Siempre se instala en el lado opuesto al cuadro de la protección de la cuchilla (C).

X. Accesorio de engrase para el control de profundidad: no se ilustra. Véase la sección Mantenimiento de este documento.

Y. Espada de montaje de la protección de la cuchilla: mantiene la protección de la cuchilla (C) en su sitio.

Z. Varilla de medición de aceite del motor: úsela para controlar el nivel de aceite del motor (no se ilustra, consulte la sección Operación de este documento).

AA. Parada de la máquina: oprima el interruptor para DETENER el motor en caso de emergencias. Para restaurar, tire hacia afuera (levántelo) para volver a arrancar la máquina.

BB. Compartimiento de herramientas: contiene el manual de operación, la lista de piezas y dos llaves (T y U) (13 mm y 27 mm). Para abrir, gire la perilla 180 grados. Siempre vuelva a colocar en manual de operación en este sitio para consultas futuras.

CC. Acelerador del motor: controla la velocidad del motor (RPM). Para aumentar la velocidad del motor, oprima hacia adelante. Para disminuir la velocidad del motor, tire hacia atrás. Todas las operaciones de corte se realizan con el motor a velocidad máxima.

DD. Interruptor de arranque del motor:

FS 513 se encuentra en el motor, detrás de la cubierta delantera (V). Debe estar en posición ENCENDIDO (ON) para arrancar el motor. Úselo para APAGADO (OFF) del motor ("0") en situaciones que no sean de emergencia.

FS 520, FS 524 (arranque eléctrico) una llave interruptora ubicada en la parte inferior izquierda de la consola. Gírela en sentido horario para poner en marcha el motor.

EE. Control de profundidad de la cuchilla: gírelo en sentido antihorario para levantar la cuchilla adiamantada (H), y en sentido horario para bajarla.

FF. Tope de profundidad de la cuchilla: utilícelo para trabar el control de profundidad de la cuchilla (EE) en su sitio. Tire del tope de profundidad de la cuchilla hacia la parte posterior de la máquina y gírelo 90 grados para trabarlo en posición abierta.

GG. Indicador de profundidad de la cuchilla: muestra la profundidad de corte de la cuchilla adiamantada (H) en centímetros (anaranjado) y en pulgadas (blanco). Funcionamiento: con el motor en posición APAGADO/OFF ("0"), baje la cuchilla adiamantada (H) hasta que toque la superficie de corte. Gire el indicador de profundidad de la cuchilla para que el "0" quede alineado con las flechas. Levante la sierra. Cuando la sierra baja hasta el corte, el indicador muestra la profundidad de corte actual.

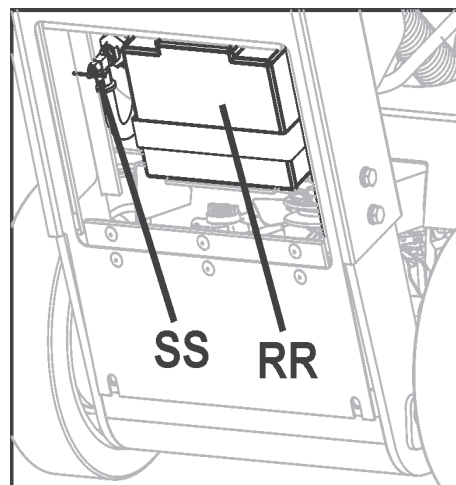
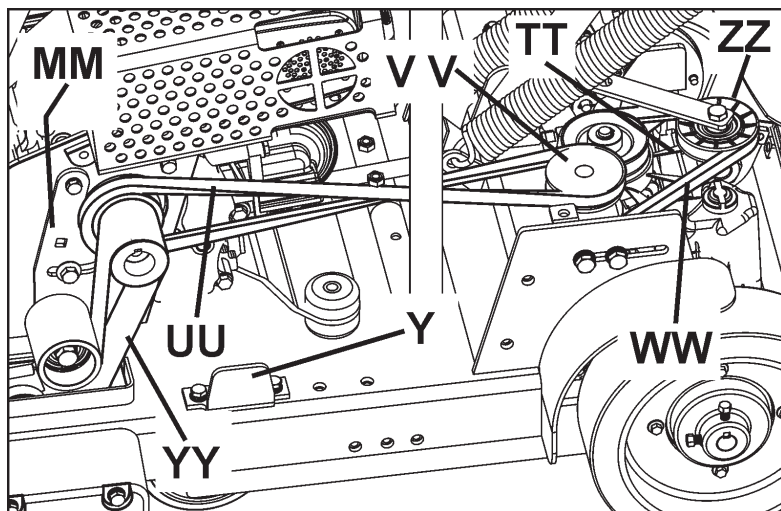
HH. Tacómetro de motor (RPM): muestra la velocidad del motor en revoluciones por minuto cuando está en funcionamiento. Muestra el tiempo total de funcionamiento cuando el motor está APAGADO/OFF ("0"). El tiempo total de funcionamiento se muestra en una escala de 0 a 59 minutos y en horas para períodos de más de 60 minutos.

II. Estrangulador de motor: Si el motor está frío, utilice el estrangulador. Extraiga el mando para accionar el estrangulador. Empújelo para desconectarlo una vez que se ha encendido el motor. Consulte el manual de instrucciones del motor para obtener más información.

JJ. Manubrio trasero: el operador se ubica detrás de la máquina con ambas manos sobre el manubrio trasero. El manubrio se puede ajustar en varias posiciones.

KK1. Válvula de control de agua: controla el caudal de agua a la cuchilla. Se encuentra en el lado izquierdo de la máquina, cerca de manubrio trasero (JJ). No se utiliza con el tanque de agua (de incluirse).

IDENTIFICACIÓN DE LAS PIEZAS (QUÉ ES CADA PIEZA)



KK2. Válvula de control de agua de la protección de la cuchilla: controla el caudal de agua a la cuchilla. Se encuentra en la protección de la cuchilla. Se utiliza con el tanque de agua (de incluirse).

LL. Protección de la correa (no se ilustra): cubre la correa de transmisión del motor.

MM. Polea tensora de la correa de transmisión: se usa para mantener la tensión de la correa del eje motor de la cuchilla.

NN. Manguera de drenaje de aceite: se usa para quitar el aceite del motor.

OO. Freno de estacionamiento (unidades de la Unión Europea): se usa para mantener la máquina en posición de estacionamiento. Con el motor APAGADO/OFF (0), desplace la palanca de embrague de la transmisión (PP) a la posición "Activado"(Engaged). Antes de poner en marcha el motor, ponga la palanca en la posición desactivada.

PP Palanca de embrague de la transmisión: en los modelos FS 520 y FS 524, la palanca DEBE estar colocada hacia atrás (desactivada) para arrancar el motor (arranque en punto muerto). Empuje hacia adelante para embragar la transmisión. Empuje hacia atrás para desembragar la transmisión. Con la transmisión desembragada, la máquina se puede mover con el motor APAGADO/OFF (0). Para mayor información, véase "OO. Freno de estacionamiento".

QQ. Palanca de velocidad de desplazamiento: controla la velocidad y dirección de desplazamiento de la máquina (avance o marcha atrás). Para avanzar, desplace la palanca hacia adelante. Para retroceder, desplace la palanca hacia atrás. Antes de mover la palanca de embrague de la transmisión (PP) a la posición "Activada" (Engaged), la palanca DEBE estar cerca de la posición DETENER / STOP.

RR. Batería de arranque (FS 520, FS 524 solamente): ubicada detrás del panel de acceso inferior, en la parte trasera de la máquina. Para instrucciones sobre la carga y mantenimiento, véase la sección "Mantenimiento de la batería" de este documento.

SS. Válvula de cierre de combustible: se usa para interrumpir el suministro de combustible al motor.

FS 520, FS 524: ubicada detrás de la puerta de acceso inferior, en la parte trasera de la máquina. Gírela en sentido antihorario para cerrarla.

FS 513 Situada en el motor: véase el manual de funcionamiento del motor.

TT. Transmisión hidrostática: controla la velocidad y dirección de desplazamiento de la máquina. Esta pieza no requiere ningún tipo de mantenimiento durante toda la vida útil de la máquina.

UU. Correa tensora de la transmisión: conecta el motor al tensor de la correa de la transmisión (VV). Contrólole periódicamente para determinar si hay desgaste en la correa o en las poleas.

VV. Tensor de la transmisión: se usa para tesar la correa de la transmisión (UU). Para mayor información, véase la sección mantenimiento de este documento.

WW. Correa de transmisión hidrostática: controla la transmisión hidrostática (TT) Conecta el tensor de la correa de la transmisión (VV) a la transmisión hidrostática (TT) Para mayor información, véase la sección mantenimiento de este documento.

XX. Panel de acceso inferior: abra el panel para dejar a la vista la batería de arranque (RR) y la válvula de cierre de combustible (SS).

YY. Correa de transmisión del eje de la cuchilla: conecta el motor y el eje de la cuchilla Para mayor información, véase la sección Mantenimiento de este documento.

ZZ. Tensor de la correa de transmisión hidrostática: polea tensora accionada por resorte que se utiliza para tesar la correa de transmisión hidrostática (WW). Para mayor información, véase la sección mantenimiento de este documento.

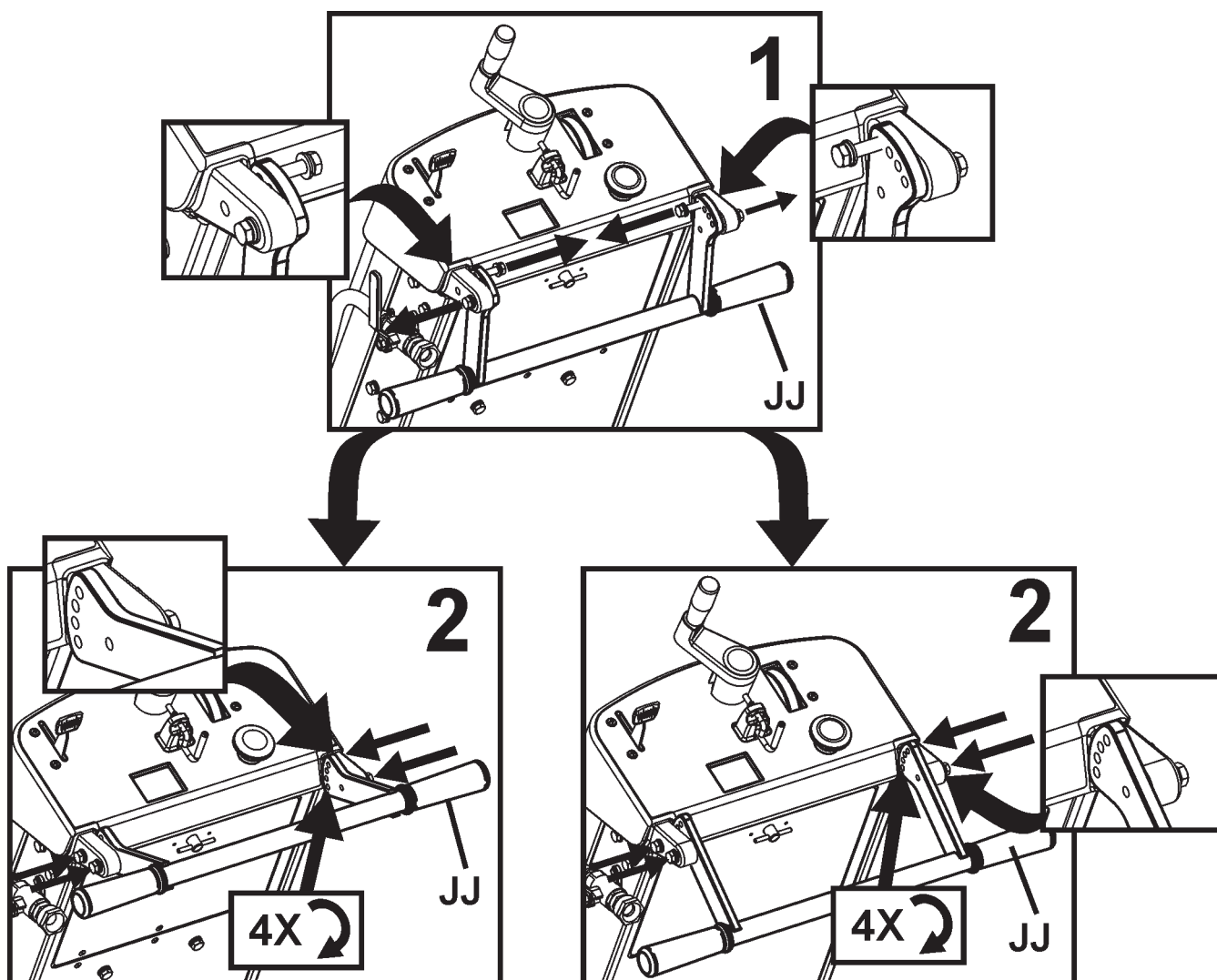
AAA. --

BBB. --

ENSAMBLADO

Antes de operar la máquina por primera vez ensamble los elementos siguientes.

Vuelva a posicionar el manubrio trasero (JJ):
la máquina se envía con el manubrio trasero (JJ) en posición de guardado, tal como se ilustra. Para usar la máquina, el manubrio se debe volver a posicionar.



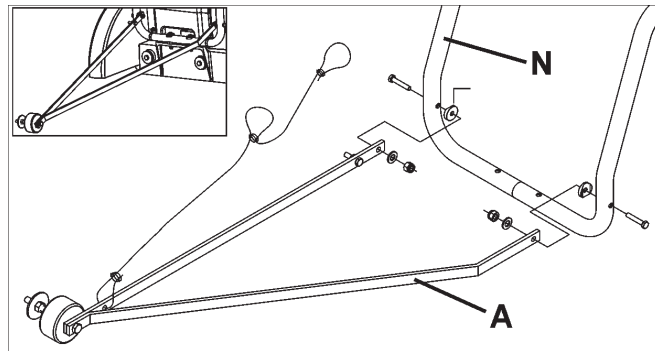
ENSAMBLADO

Instale el puntero delantero (A):

1. Use los tornillos, arandelas y tuercas del puntero delantero (A) e instálelos en el cuadro tubular del soporte del tanque de agua (N). Ajuste las contratuerzas de manera tal que el puntero (A) pivote libremente.

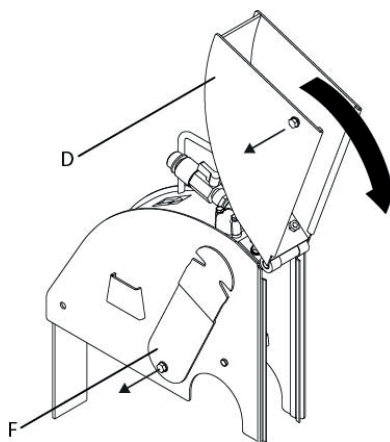
2. Disponga la cuerda del puntero de manera tal que no pase por superficies calientes. Los dos bucles de la cuerda permiten engancharla al manubrio trasero (JJ).

Nota: se ilustra el “*puntero simple*” (A). En algunas regiones el “*puntero doble*” se ofrece como equipo estándar. El puntero doble se ofrece en todas partes como accesorio adicional. Para más información, consulte la sección “*accesorios*” de este documento o la lista de piezas de repuesto.



Protección delantera de la cuchilla (D):

1. Con la llave de 13 mm (U) provista, quite los dos (2) tornillos M8 situados delante y debajo de la placa de cierre de la protección de la cuchilla (F), y quite también el tornillo M8 frente a la protección de la cuchilla (D) [tal como indican las flechas]. Afloje los tornillos restantes (pero no los quite) de la placa de cierre (F) de la protección de la cuchilla. Gire hacia abajo la placa de cierre (F) y la parte delantera de la protección de la cuchilla (D).

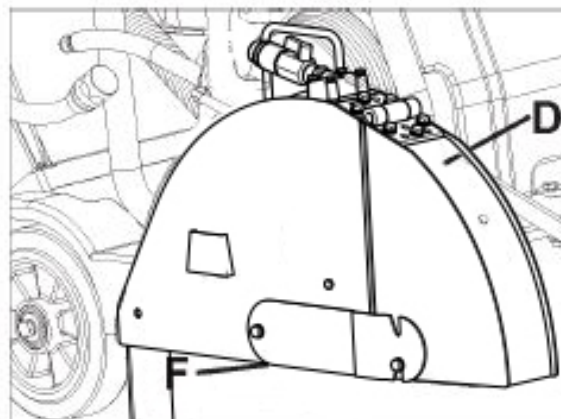


¡ADVERTENCIA!

La placa de cierre (F) de la protección de la cuchilla se debe instalar antes de operar la máquina. ¡De lo contrario se puede producir una situación de riesgo!

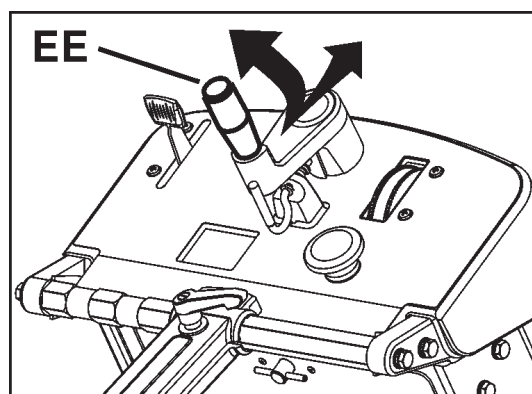
¡Siempre que opere la máquina mantenga las protecciones en su sitio!

2. Vuelva a colocar los tres (3) tornillos M8 en la placa de cierre (F) de la protección de la cuchilla, tal como se ilustra en el diagrama de la derecha. Con la llave de 13 mm provista (U), apriete los cuatro (4) tornillos M8 que sujetan la placa de cierre de la protección de la cuchilla (F) en su sitio.



Ajuste la posición del manubrio de control de profundidad de la cuchilla (EE).

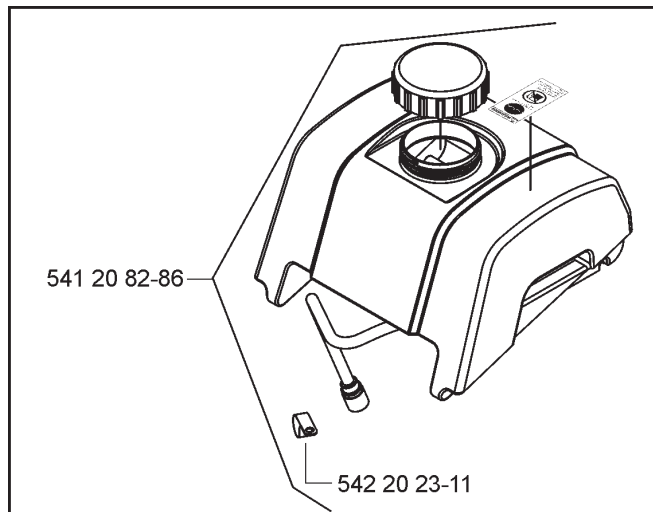
Tire de la manija de control de profundidad de la cuchilla (EE) hacia fuera y gire 90 grados hasta que calce en la posición ilustrada.



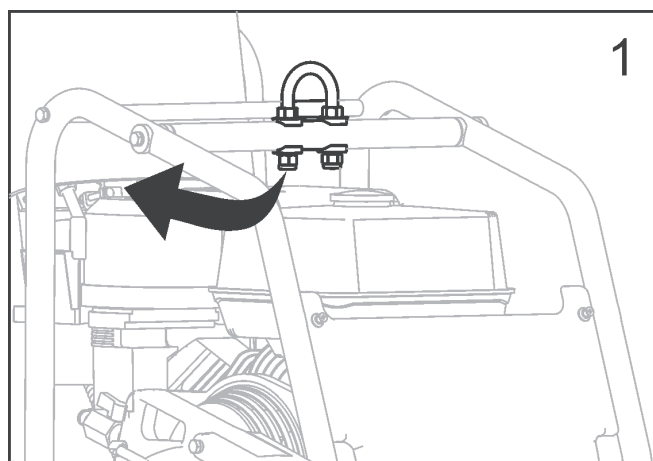
ENSAMBLADO

Instale el tanque de agua (P) (de incluirse):

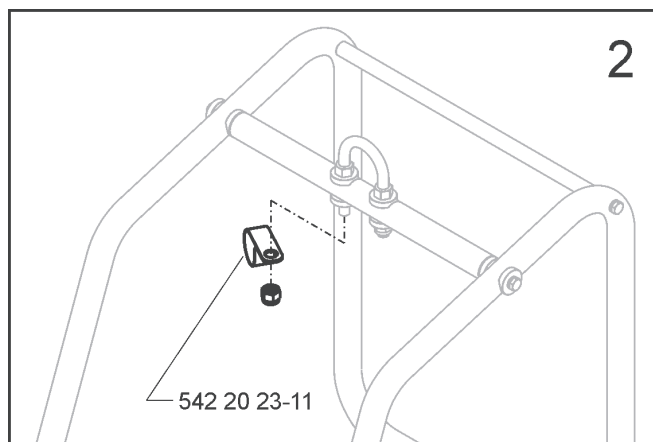
- En algunas regiones se ofrece un tanque de agua instalado de fábrica. En todos los lugares se ofrece un equipo de tanque de agua opcional.
- Si el tanque de agua se instaló previamente en la máquina, lea estas instrucciones para verificar que se haya instalado correctamente. Obedezca todas las ADVERTENCIAS de instalación y uso del tanque de agua.
- Verifique el contenido del equipo del tanque de agua. Consulte el diagrama de la derecha.



1. **FS 513 solamente:** quite provisoriamente la TUERCA de la derecha (del mismo lado de la cuerda de arranque de la máquina) del ojo de izado (O). Consulte el diagrama de la derecha.



2. **FS 513 solamente:** instale la ABRAZADERA suministrada con el equipo del tanque (P) y luego vuelva a instalar la TUERCA. Consulte el diagrama de la derecha.



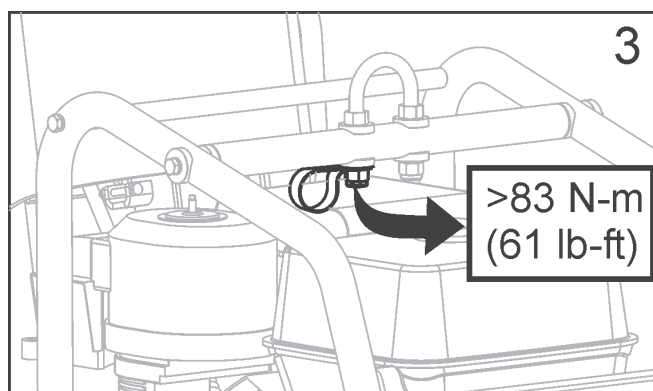
3. **FS 513 solamente:** apriete según se indica a continuación y en el diagrama de la derecha.

AVISO

Apriete la TUERCA del ojo de izado a 83 N-M (61 libras/pie), como mínimo.

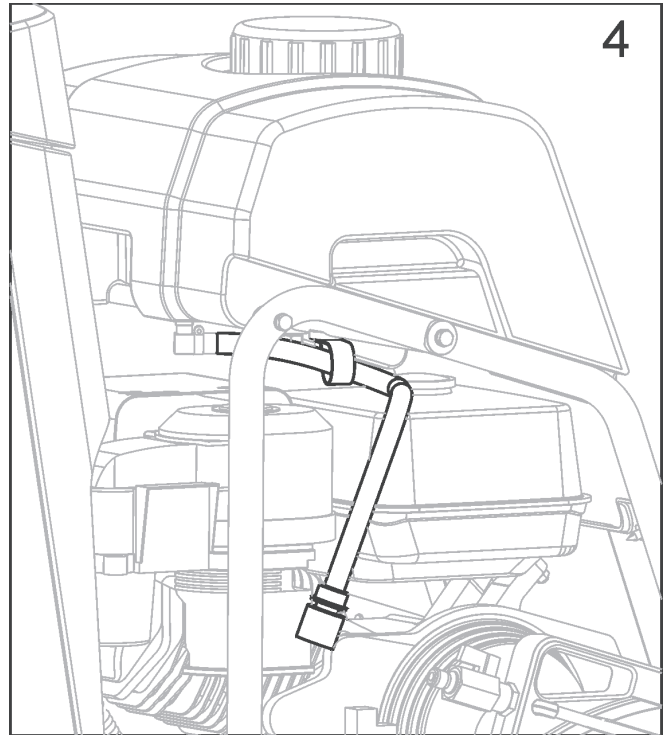
⚠ ¡ADVERTENCIA!

Apriete la TUERCA de acuerdo con las especificaciones, de lo contrario puede fallar el OJO DE IZADO (O). Toda falla en el OJO DE IZADO puede ser causa de accidentes o muerte al levantar la máquina.



ENSAMBLADO

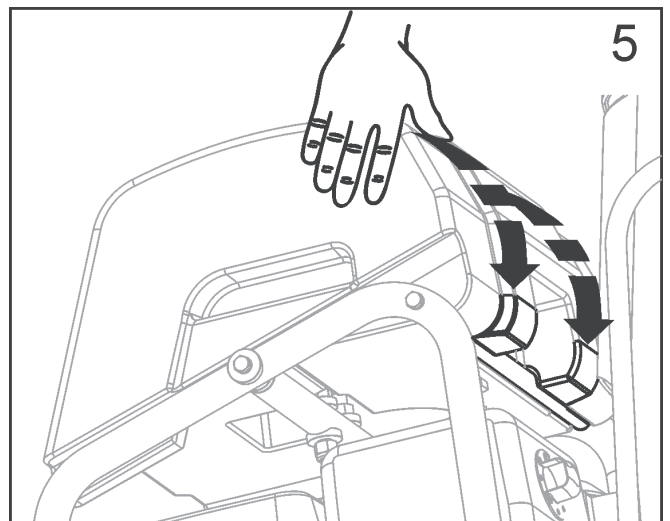
4. Presente el tanque de agua y pase la manguera correspondiente tal como se ilustra en el diagrama de la derecha (**FS 513**). FS 520 / FS 524: no utilice la abrazadera que se ilustra en el diagrama.



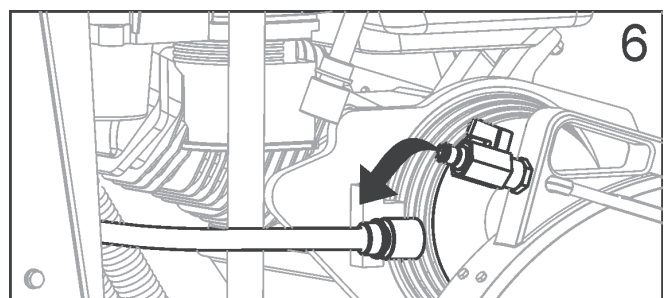
5. Alinee la barra trasera y el área ahuecada en la parte posterior del tanque de agua.

- Apriete firmemente el tanque de agua para calzarlo en su sitio en la barra trasera.

- Cuando se instala correctamente, el tanque de agua debe pivotar libremente en la barra trasera.



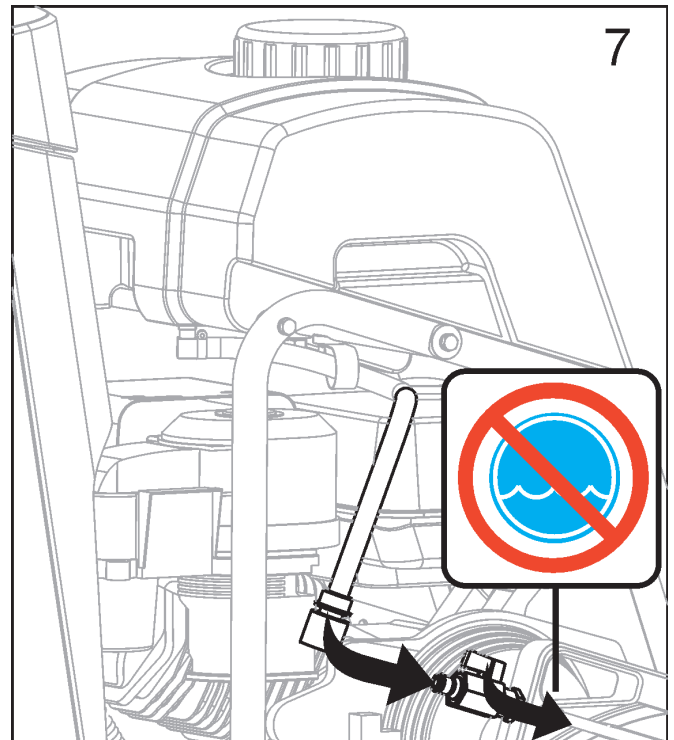
6. Desconecte la manguera de agua de la protección de lacuchilla. Ésta es la manguera de la válvula de control de agua montada en la sierra.



ENSAMBLADO

7. Conecte la manguera del tanque de agua a la válvula de agua de la protección de la cuchilla.

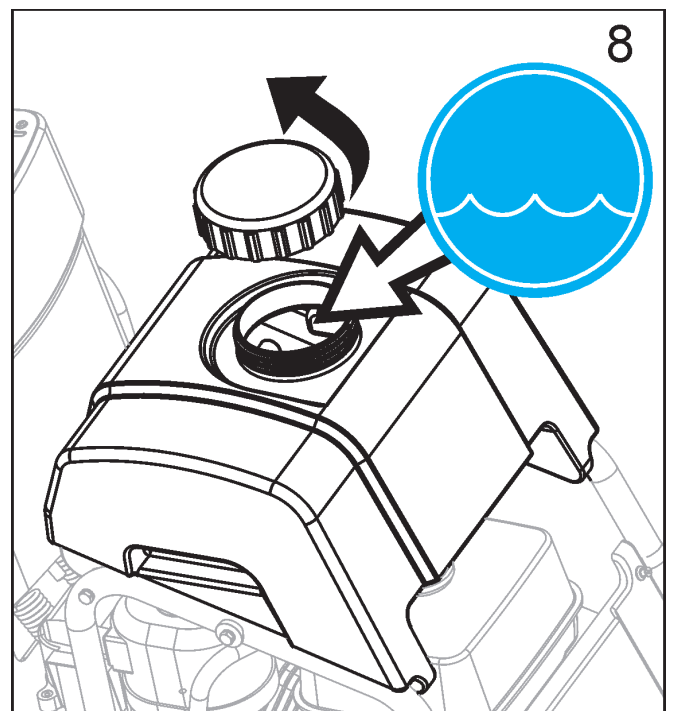
- Verifique que la válvula de agua de la protección de la cuchilla esté en posición CERRADA (OFF).
- El tanque de agua queda ya montado en la sierra.



Llenado del tanque de agua:

8. Gire la tapa en sentido antihorario para quitarla. Consulte el diagrama de la derecha.

- Llene el tanque solamente con agua. Lea todas las ADVERTENCIAS antes de usar el tanque de agua.
- Gire la tapa en sentido horario para cerrarla.
- El tanque de agua se usa exclusivamente para eliminar las partículas de polvo de hormigón, y se debe usar solamente con cuchillas adiamantadas "secas".



⚠ ¡ADVERTENCIA!

NO utilice cuchillas estándar (húmedas) cuando use el tanque como suministro de agua. ¡El caudal de agua no es suficiente para enfriar la cuchilla debidamente!

Llene el tanque solamente con agua.

Nunca llene el tanque de agua (P) con líquidos inflamables o gasolina, de lo contrario se pueden producir accidentes o incluso la muerte.

FUNCIONAMIENTO

Antes de poner en funcionamiento:

Uso: esta máquina se debe usar solamente para cortes en seco o húmedos de asfalto u hormigón, tanto viejo como nuevo.

¡ADVERTENCIA!

NO utilizar para cortes en seco en regiones de la Unión Europea (EU) La máquina no incluye un puerto para polvo.

Herramientas: use la máquina solamente con las herramientas siguientes (H): cuchillas adiamantadas enfriadas con agua. En la Unión Europea (UE) NO se deben usar cuchillas abrasivas reforzadas o cuchillas adiamantadas para corte en seco, puesto que esta máquina se provee sin un puerto de recolección de polvos. Diámetro: 300 mm (12 pulgadas) – 500 mm (20 pulgadas). Perforación: 25,4 mm (1,00 pulgadas)

¡ADVERTENCIA!

NO use cuchillas de carburo metálico, cuchillas para madera o circulares en esta máquina, de lo contrario se pueden producir accidentes e incluso la muerte.

Reubicación de la protección de la cuchilla (C), si fuera necesario:

La protección de la cuchilla (C) se instala en fábrica en el lado derecho de la máquina, pero se puede colocar en el lado izquierdo. De esta manera podrá cortar más cerca de los obstáculos cuando no sea posible acercarse a ellos desde el lado opuesto.

1. Con la llave de 13 mm (U) quite el tornillo trasero (E) de la protección de la cuchilla (C).
2. Empuje el collarín trasero para separar la desconexión de la manguera de agua (G). La mitad macho permanece en la protección de la cuchilla (C). La mitad hembra permanece en el tanque de agua (P) o en la válvula de control de agua (KK).
3. Levante la protección de la cuchilla (C) y quítela de la espada de montaje de la protección de la cuchilla (Y).
4. Con la llave de 13 mm (U) quite los cuatro (4) tornillos que sujetan la placa de cierre (F) de la protección de la cuchilla. Vuelva a colocar la placa de cierre (F) en el lado izquierdo de la protección de la cuchilla (C).
5. Quite la protección del eje (W) del lado izquierdo y colóquela en el lado derecho.
6. Baje la protección de la cuchilla (C) hasta la espada de montaje (Y), en el lado izquierdo de la máquina.
7. Vuelva a instalar el tornillo trasero (E) en la protección de la cuchilla (C).
8. Vuelva a conectar la desconexión de la manguera de agua (G) de la protección de la cuchilla (C) al tanque de agua (P) o a la válvula de agua (KK). Al volver a colocar la manguera observe que ésta no toque el silenciador.
9. Vuelva a colocar el puntero delantero (A) y realínéelo, de manera que la rueda de guía (B) quede en el lado izquierdo de la máquina.

¡ADVERTENCIA!



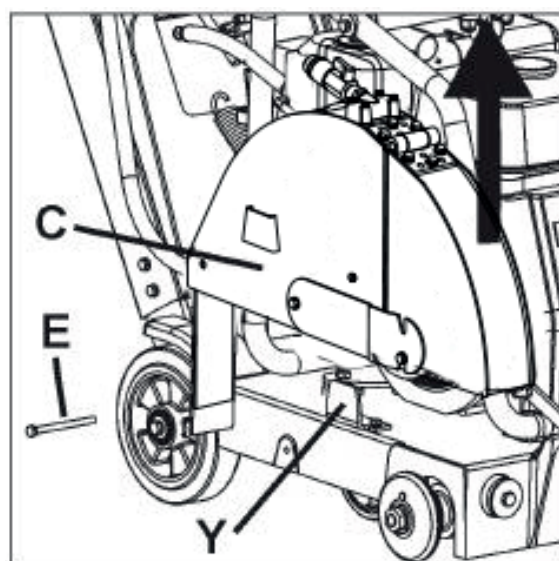
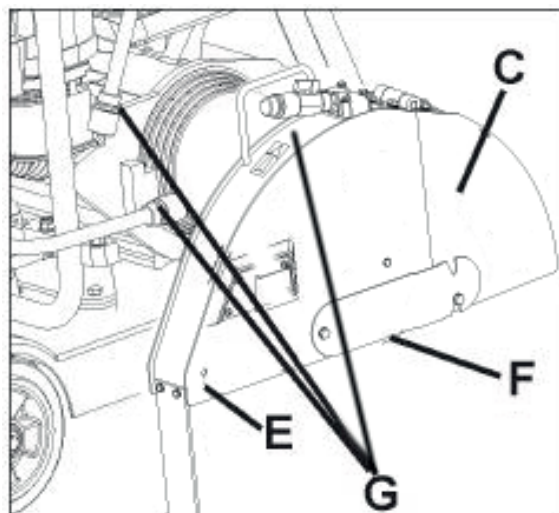
Antes de operar la máquina, lea íntegramente y comprenda este manual de operación y el manual de operación del motor provisto con el mismo.



¡Familiarícese con la máquina antes de utilizarla!



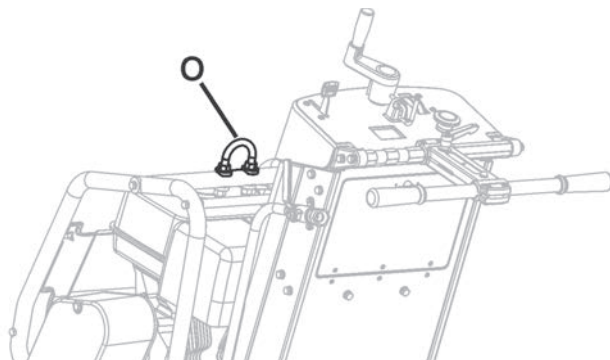
El operador debe utilizar equipo protector personal e indumentaria acorde al tipo de trabajo a realizar. Es obligatorio el uso de equipo protector personal, como protección auditiva y ocular.



FUNCIONAMIENTO

Transporte e izado de la máquina:

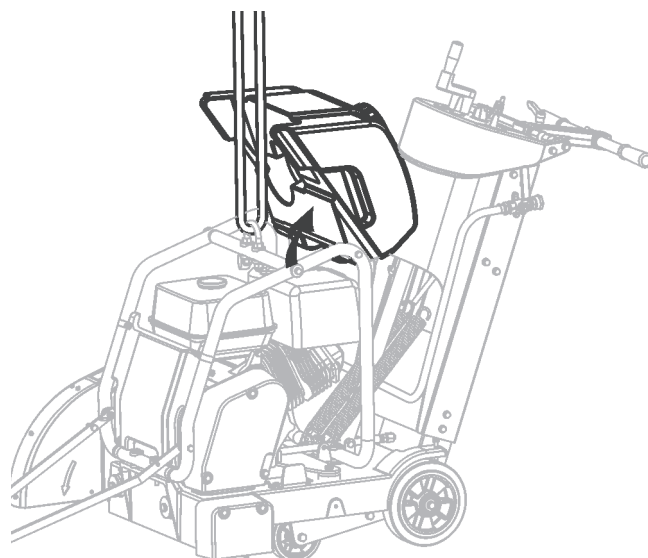
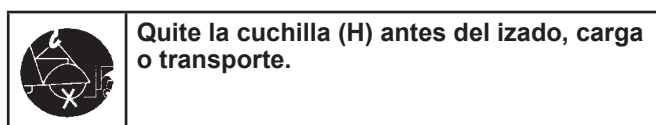
- Sólo levante la máquina desde el punto de izado (O).
- Siempre quite la cuchilla (H) antes de levantar, cargar o transportar la máquina.
- Use una banda de izado debidamente clasificada para levantar como mínimo el peso máximo de la máquina. El peso nominal y máximo de la máquina se indican en la sección DATOS TÉCNICOS de este documento.



Izado de la máquina equipada con el tanque de agua:

- Antes de levantar una máquina equipada con un tanque de agua:

1. Desagote el tanque.
2. Quite la cuchilla.
3. Baje la máquina hasta que el cuadro esté paralelo al suelo.
4. Pivote la parte delantera del tanque de agua hacia arriba hasta que se apoye contra el tope de aluminio de la cubierta del motor. No apoye la tapa del tanque de agua sobre la parte delantera plástica de la cubierta del motor, de lo contrario se pueden producir daños durante el izado.
5. Conecte la banda de izado adecuada al punto de izado (O).
6. Haga una prueba de izado a poca altura (sólo unos centímetros) para verificar que el tanque permanece debidamente conectado a la máquina y que no se dañará ni causará accidentes.
7. Si no es posible levantar la máquina sin que se produzcan daños a ésta o al tanque, quite este último antes del izado.



AVISO

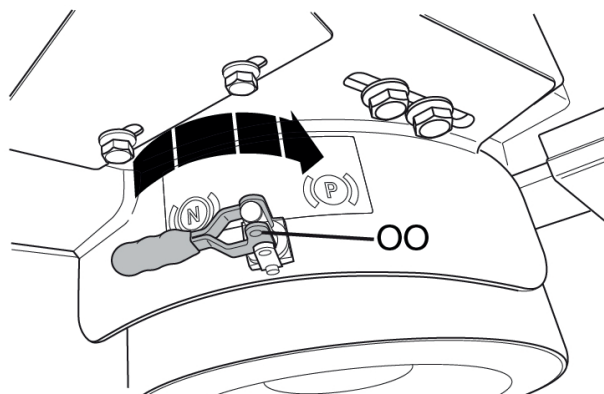
Si la sierra no se iza debidamente, se puede dañar el tanque o la sierra. Supervise atentamente el izado para que no se produzcan daños.

Estacionamiento de la máquina:

- Las máquinas utilizadas en algunas regiones pueden requerir un freno de estacionamiento. Para aplicar el freno de estacionamiento en esta máquina, utilice la palanca de embrague de la transmisión (PP).
- Este freno cumple la función de mantener la máquina en su sitio en una pendiente de 10 grados o inferior. La parte trasera de la máquina se debe orientar cuesta abajo (con el peso máximo en la rueda frenada).

 **Freno de estacionamiento - acoplamiento (consulte el diagrama)**

1. Pare el motor (0)
2. Desplace la palanca de engrane de la transmisión (PP) hacia adelante, a la posición "embragada".



FUNCIONAMIENTO

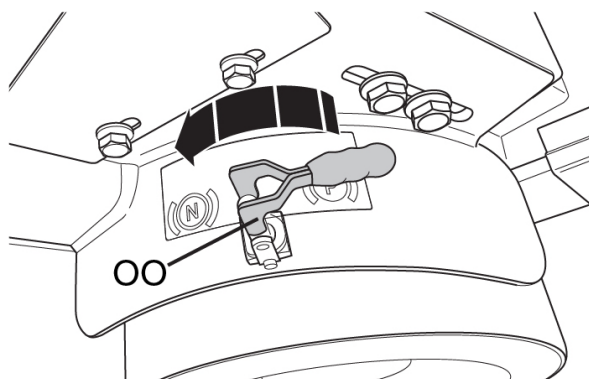


(N) Freno de estacionamiento - desacoplamiento (consulte el diagrama)

1. Desplace la palanca de embrague de la transmisión (PP) hacia atrás, a la posición "desembragada". Se debe desembragar totalmente.
2. El motor se puede arrancar ahora.

AVISO

Antes de poner en marcha el motor se debe desengranar el freno de mano (FS 520 y FS 524), Desplace la palanca de embrague de la transmisión (PP) hacia atrás, a la posición "desembragada".



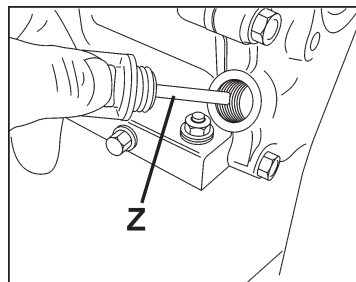
Modelos con motor a gasolina:

Para el correcto funcionamiento, consulte el manual de operación del motor.

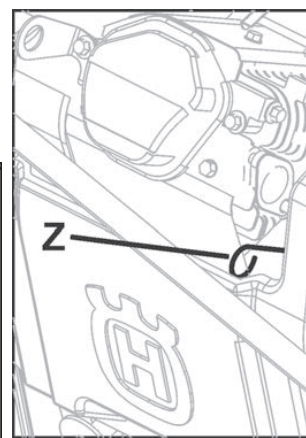
COMBUSTIBLE: se recomienda el uso de gasolina sin plomo. Para más información, consulte el manual de operación del motor.

ACEITE: con la varilla de medición de aceite (Z) controle que el nivel de aceite del motor sea correcto. Para mayor información, véase la sección Mantenimiento en este documento o el manual de funcionamiento del motor.

Puesto que el motor opera frecuentemente en ángulo, se recomienda verificar el nivel de aceite con el motor en posición horizontal. Controle con frecuencia para asegurarse de que el nivel de aceite nunca esté por debajo de la marca inferior de la varilla de medición. Se recomienda usar aceite 10W30. Para más información, consulte el manual de funcionamiento del motor.



FS 513



FS 520, FS 524

AVISO

Si el motor está equipado con un sistema de apagado por bajo nivel de aceite, éste no arrancará si el nivel de aceite es bajo. Asimismo, el motor podría detenerse si se sobrepasa el ángulo máximo de operación. Consulte el manual de operación del motor.

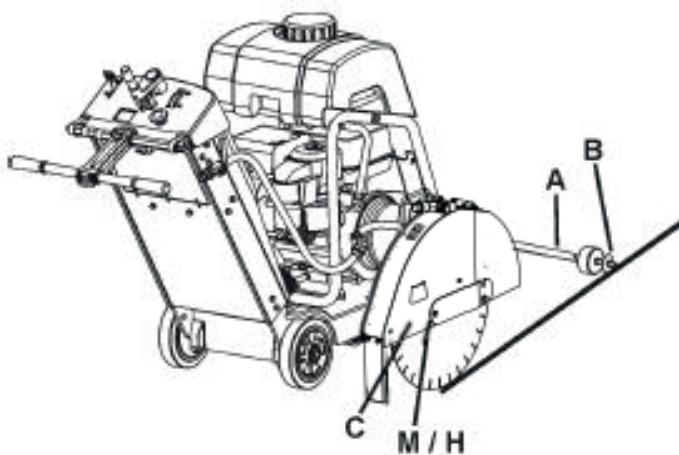
Todos los modelos:

Se debe controlar el puntero delantero (A) para verificar que esté alineado con la cuchilla. Coloque una regla junto a la brida interior (I). Alinee el puntero delantero (A) con la regla. Si fuera necesario ajustar el puntero delantero (A), afloje las tuercas que sujetan la rueda de guía (B) en su sitio. Alinee la rueda de guía (B) a la regla y vuelva a apretar las tuercas.

Controle que la tubería de agua de la protección de la cuchilla (C) esté abierta y que cada lado de la cuchilla cuente con el suministro adecuado de agua.

Antes de arrancar la sierra, compruebe que el suministro de agua tiene la presión y cantidad (caudal) debidos.

Corte solamente a la profundidad que requieren las especificaciones del trabajo. Los cortes a mayor profundidad que la requerida producirán el desgaste excesivo de la cuchilla y de la máquina.



FUNCIONAMIENTO

Corte en incrementos de 50 mm (2 pulgadas) de profundidad hasta alcanzar las especificaciones de corte. Este proceso se conoce como "corte por pasos".

Corte solamente en línea recta. Marque claramente la línea de corte para que el operador de la sierra pueda seguirla sin dificultad. NO se debe inclinar la sierra de lado a lado para forzar la cuchilla en la línea.

Colocación de la cuchilla adiamantada (H):



Instale la cuchilla adiamantada (H) en la obra. No transporte la máquina con la cuchilla adiamantada (H) instalada.



¡ADVERTENCIA! Nunca transporte la máquina fuera de la zona de corte con el motor en marcha y con la cuchilla instalada.

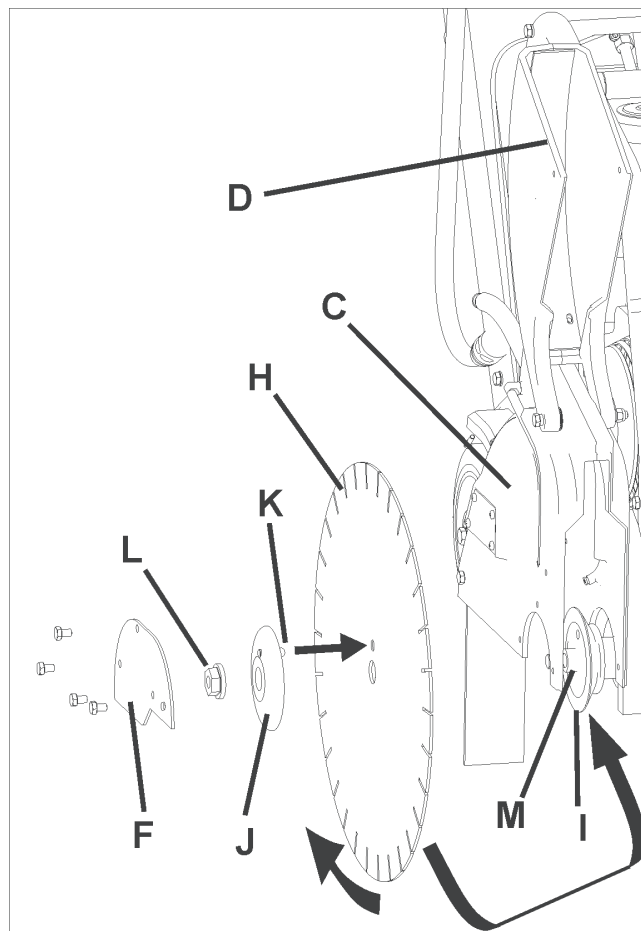
1. Abra la cubierta delantera (V).
2. Coloque el interruptor de arranque del motor (DD) en la posición APAGADO / OFF ("0").
3. Gire el control de profundidad de la cuchilla (EE) en sentido antihorario para levantar la cuchilla adiamantada (H) hasta la posición más alta.
4. Con la llave de 13 mm (U), ubicada en el compartimento de herramientas (BB), quite los cuatro (4) tornillos M8 que sujetan la placa de cierre (F) de la protección de la cuchilla. Quite provisoriamente la placa de cierre (F) de la protección de la cuchilla.
5. Levante la protección delantera de la cuchilla (D):
6. Use la llave de 27 mm para el eje de la cuchilla (T) para aflojar y quitar la tuerca del eje de la cuchilla (L) que asegura la brida exterior (J) en su sitio.

AVISO

La tuerca del eje de la cuchilla (L1), en el lado derecho de la máquina, lleva roscas de sentido antihorario. Gírela en sentido horario para aflojarla.

La tuerca del eje de la cuchilla (L2) (no se ilustra) en el lado izquierdo de la máquina lleva roscas de sentido horario. Gírela en sentido antihorario para aflojarla.

7. Quite la brida exterior (J).
8. Controle que el árbol del eje de la cuchilla (M), la brida interior (I) y la brida exterior (J) estén limpias y libres de objetos extraños.
9. Coloque la cuchilla adiamantada (H) en el árbol del eje de la cuchilla (M). Las flechas en la cuchilla adiamantada (H) y en el frente de la protección de la cuchilla (D) ilustran la dirección de rotación. Consulte el diagrama de la derecha.
10. Coloque la brida exterior (J) en el árbol del eje de la cuchilla (M). Asegúrese de que el pasador de seguridad pase por la cuchilla adiamantada (H) hasta penetrar en la brida interior (I).
11. Rote la brida exterior (J) y la cuchilla adiamantada (H) en dirección opuesta a la rotación de la cuchilla para eliminar el huelgo.
12. Instale la tuerca del eje de la cuchilla (L). Para apretar, use la llave de 27 mm (T) del eje de la cuchilla.



¡ADVERTENCIA!

UTILICE SOLAMENTE cuchillas (H) clasificadas para una velocidad máxima de operación superior a la velocidad del eje de la cuchilla de la máquina.

¡NO utilice una cuchilla más grande sin antes colocar las correas y poleas adecuadas!

¡NO opere la máquina sin la debida protección sobre la cuchilla adiamantada (H)!

¡NO opere la máquina con la protección delantera de la cuchilla (D) en posición levantada!

¡Durante la operación de la máquina, la cuchilla (H) NO DEBE sobrepasar los 180 grados de exposición!

Las superficies de contacto del árbol del eje de la hoja (M), la brida interna (I) y la brida exterior (J) DEBEN ESTAR sin daños y sin objetos extraños.

NO transporte la máquina con la cuchilla (H) instalada.

NO use cuchilladas adiamantadas (H) convencionales (para cortes húmedos) sin agua.

LEA las instrucciones provistas con la cuchilla (H).

NO instale la cuchilla (H) si la fuente de energía no está en la posición APAGADO/OFF (0) y desconectada del suministro de energía.

FUNCIONAMIENTO

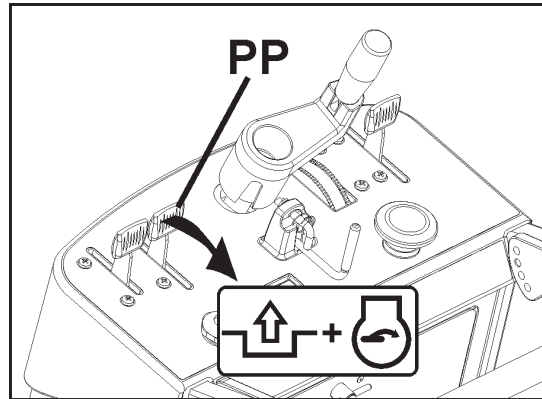
AVISO

La tuerca del eje de la cuchilla (L1), en el lado derecho de la máquina, lleva roscas de sentido horario. Gírela en sentido antihorario para apretarla. Apriete a 45 N•m (33 libras/pie) como mínimo.

La tuerca del eje de la cuchilla (L2) (no se ilustra), en el lado izquierdo de la máquina, lleva roscas de sentido horario. Gírela en sentido antihorario para apretarla. Apriete a 45 N•m (33 libras/pie) como mínimo.

13. Baje la protección delantera de la cuchilla (D):

14. Vuelva a instalar la placa de cierre (F) de la protección de la cuchilla y apriétela.



Arranque de la máquina y proceso de corte:

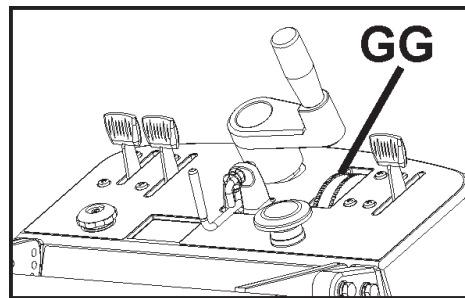
- Con el control de profundidad (EE), levante la cuchilla adiamantada (H) a la mayor altura posible para evitar que al maniobrar choque con el pavimento. Si fuera necesario, tire del tope de profundidad de la cuchilla (FF).
- Desplace la palanca de embrague de la transmisión hacia atrás para desengranar el freno de estacionamiento (OO).
- Con el motor APAGADO/OFF, coloque la máquina en posición, cerca de la línea a cortar.
- Baje el puntero delantero (A) hasta la superficie de corte.
- Ajuste el indicador de profundidad (GG) (úselo si lo desea):

1) Baje la máquina hasta que la cuchilla adiamantada toque la superficie de corte.

2) Ajuste el dial del indicador de profundidad (GG) hasta que la flecha de éste quede alineada con el cero (0). El color naranja indica la profundidad de corte en centímetros. El color blanco indica la profundidad en pulgadas.

3) Levante la sierra hasta la altura máxima. Ahora, con la cuchilla adiamantada (H) en la posición baja, el indicador de profundidad (GG) mostrará la profundidad de corte.

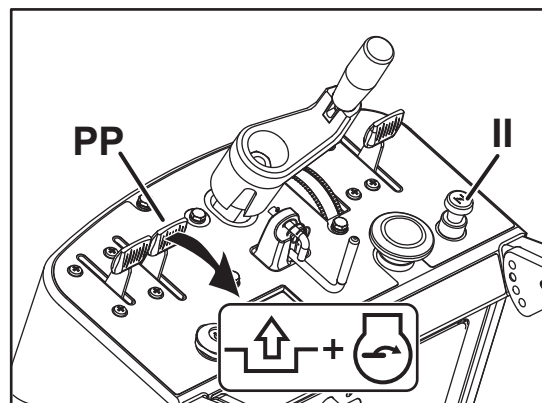
4) Levante completamente la cuchilla adiamantada (H).



Puesta en marcha - FS 513:

• Verifique que tanto el interruptor de parada de la máquina (AA) COMO el interruptor de arranque del motor (DD) estén en la posición de ENCENDIDO / ON. El interruptor de parada de la máquina (AA) debe estar en la posición externa (hacia afuera de la cubierta del motor). El interruptor de arranque del motor (DD) debe estar de la posición "1" (ENCENDIDO/ON). La palanca de velocidad de desplazamiento (QQ) está cerca de la posición de PARADA / STOP.

• Para arrancar el motor, enganche la palanca del cebador del motor y jale de la cuerda de arranque. Una vez que el motor haya arrancado, desenganche la palanca del cebador del motor. Para más información, consulte el manual de operación del motor.



AVISO

Antes de poner en marcha el motor se debe desembragar el freno de mano (FS 520 y FS 524), Desplace la palanca de embrague de la transmisión (PP) hacia atrás, a la posición "desembragada".

FUNCIONAMIENTO

Puesta en marcha - FS 520, FS 524

- Verifique que el interruptor de parada de la máquina (AA) esté en la posición externa (alejado de la cubierta del motor), y que el freno de estacionamiento (OO) esté desembragado [palanca de embrague de la transmisión (PP) hacia atrás, en la posición desembragada]. La palanca de velocidad de desplazamiento (QQ) está cerca de la posición de PARADA / STOP.
- Jale el cebador del motor (II) hacia afuera (para mayor información, véase el manual del motor).
- Gire el interruptor de arranque del motor (DD) a la posición ARRANQUE / START.
- Arranque el motor. Para más información, consulte el manual de operación del motor.

Después de arrancar el motor (todos los modelos):

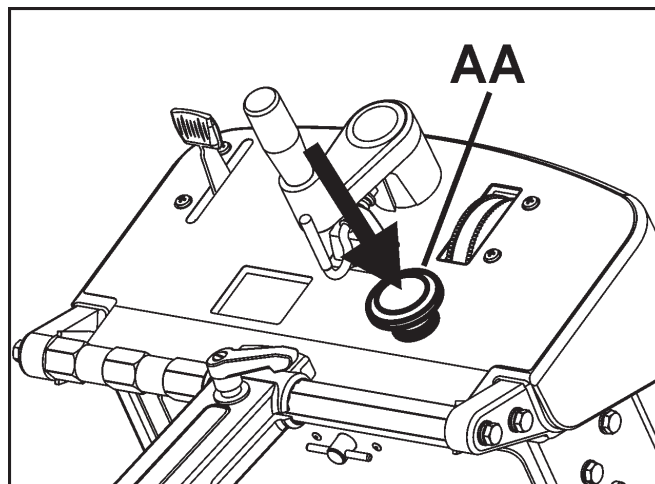
- Verifique visualmente que la rotación de la herramienta concuerde con la fecha de dirección de la protección de la cuchilla.
- Abra COMPLETAMENTE la válvula de control de agua (KK1). Verifique el caudal de agua máximo y luego ajústelo para obtener la cantidad de agua necesaria en la cuchilla ANTES de bajarla.
- Haga los ajustes finales para alinear la sierra con la línea de corte. Verifique que tanto la rueda de guía (B) como la cuchilla adiamantada (H) estén en la línea de corte.

Si se interrumpe el suministro de agua, detenga el cortado de inmediato. Se pueden producir daños en la cuchilla adiamantada (H).

- Para bajar la cuchilla adiamantada (H) hasta el corte, gire lentamente el control de profundidad de corte (EE) de la cuchilla en SENTIDO ANTIHORARIO.
- Una vez que obtenga la profundidad de corte deseada, oprima el tope de profundidad de la cuchilla (FF) para trabarlo con el control de profundidad (EE) (si lo desea).
- Asegúrese de que la palanca de velocidad de desplazamiento (QQ) esté cerca de la posición DETENER/STOP, luego mueva la palanca de embrague de la transmisión (PP) hacia adelante, a la posición "embragada".
- Empuje la palanca de velocidad de desplazamiento (QQ) hacia delante hasta obtener la velocidad de desplazamiento deseada. Controle atentamente la cuchilla adiamantada (H) y la rueda de guía (B) para asegurar que la máquina se mantenga en la línea de corte y que la cuchilla adiamantada (H) se mantenga en el recorrido de corte.
- Desplace la palanca de velocidad de desplazamiento (QQ) hacia atrás hasta que la máquina se detenga.
- Desenganche el tope de profundidad de la cuchilla (FF).
- Para quitar la cuchilla adiamantada (H) del corte, gire el control de profundidad de corte de la cuchilla (EE) en SENTIDO HORARIO.

AVISO

Ante una situación de emergencia durante las operaciones de corte **DETENGA** la máquina inmediatamente con el interruptor de parada de la máquina (AA).



Para parar la máquina, presione el botón "PARADA DE LA MÁQUINA (AA)"

FUNCIONAMIENTO

- Cierre la válvula de control de agua (KK).
- Desplace la palanca de embrague de la transmisión (PP) hacia atrás, a la posición “desembragada”.
- Use el interruptor de arranque del motor (DD) para poner el motor en la posición “0” (APAGADO/OFF).

Períodos prolongados sin utilizar (dos o más semanas):

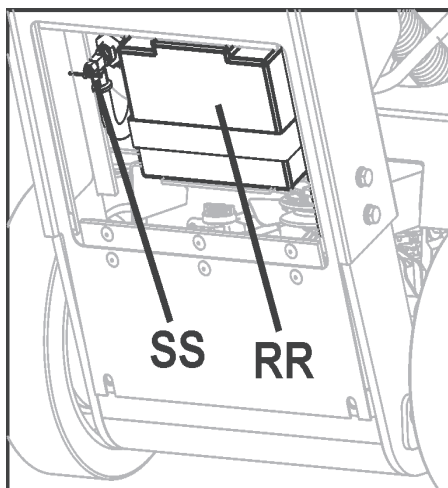
FS 520, FS 524 Véase, mantenimiento de la batería.

FS 520, FS 524 Quite el combustible del motor.

- Si la máquina no se utilizará por un período de dos semanas se debe quitar el combustible del motor.

Proceda de la manera siguiente:

1. Abra el panel de acceso a la batería (para mayor claridad, el panel no se ilustra en el diagrama).
2. Cierre la válvula de combustible (SS) del motor. Gire en sentido horario para apretar.
3. Quite la cuchilla y despeje el área de toda persona no involucrada con el trabajo.
4. Arranque el motor y hágalo funcionar a la velocidad máxima hasta que el motor se apague por falta de combustible.



AVISO

Si no se drena el combustible del motor al no usar la máquina durante períodos prolongados, el combustible puede obturar el carburador. Puede necesitarse realizar mayor mantenimiento del motor.

Quite el combustible del tanque.

- Si la máquina no se utilizará por un período de dos semanas se debe quitar el combustible del motor. Para información y advertencias de seguridad, véase el manual de funcionamiento del motor.

⚠ ¡ADVERTENCIA!

La gasolina es muy inflamable y explosiva y Ud. se puede quemar o accidentar gravemente al manipular combustible.

- Detenga el motor y mantenga alejada toda fuente de calor, chispas y llamas.
- Recargue combustible solamente en exteriores.
- Limpie de inmediato todo combustible que se derrame.

MANTENIMIENTO Y LUBRICACIÓN

REFERENCIA RÁPIDA DE MANTENIMIENTO PROGRAMADO:

Antes de realizar tareas de mantenimiento, SIEMPRE recuerde estacionar la máquina en una superficie nivelada, con el motor “y el interruptor de motor en la posición “APAGADO / OFF”. ¡Deje que la máquina se enfríe! Las tareas de mantenimiento y reparaciones adicionales deben ser realizadas solamente por un técnico cualificado.

SERVICIO DIARIO:

1. Controle el nivel de aceite del motor.
2. Controle la protección de la cuchilla para determinar si hay daños.
3. Controle el filtro de aire del motor, cámbielo si está sucio. Si usa la máquina bajo condiciones de mucho polvo, realice el mantenimiento con más frecuencia.
4. Limpie la máquina periódicamente.

SERVICIO CADA 50 HORAS:

1. Cambie el aceite y el filtro de aceite del motor.
2. Limpie el motor / aletas de aire del motor.
3. Lubrique el accesorio de engrase del control de profundidad (X).
4. Controle las ruedas para determinar si están gastadas o dañadas.
5. Controle la tensión de la correa de transmisión de las ruedas.

Cambio del filtro de aire del motor (S):

Si el motor parece débil, produce humo negro o funciona intermitentemente, puede ser que el filtro de aire esté atascado. Por este motivo, es importante limpiar y sustituir el filtro de aire periódicamente. Consulte el manual del motor para obtener instrucciones detalladas.

ATENCIÓN!

El filtro no debe limpiarse con aire comprimido, ya que puede resultar dañado. Los filtros pueden limpiarse con un aspirador, pero evite golpear su superficie o arrastrar elementos por ella, ya que puede dañar el filtro.

Los filtros de papel deben desecharse correctamente y sustituirse.

Un filtro de poliéster pueden limpiarse con una aspiradora o mediante un lavado a baja presión.

No utilice lavados a alta presión, ya que puede dañar el filtro.

Cambie siempre los filtros que estén dañados.

Un filtro lavado debe estar totalmente seco antes de volver a colocarlo de nuevo en el equipo.

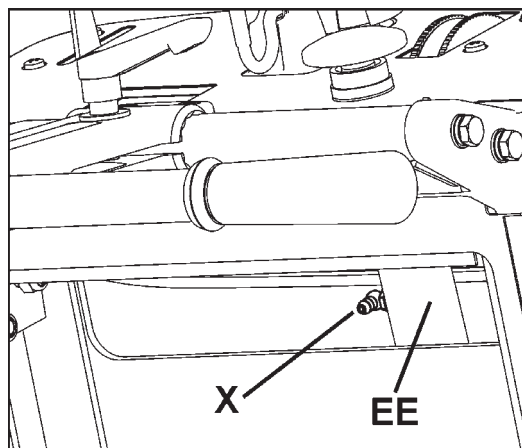
MANTENIMIENTO Y LUBRICACIÓN

LUBRICACIÓN:



Accesorio de engrase para el control de profundidad (X): un accesorio de engrase que permite la lubricación del tornillo de control de profundidad (EE) de la cuchilla. Para acceder a este accesorio de profundidad:

- Levante la cuchilla adiamantada (H) hasta la altura máxima. Abra el compartimiento de herramientas (BB), quite provisoriamente la bolsa que contiene el manual.
- El accesorio de engrase (X) se encuentra cerca de la parte superior del tubo de control de profundidad (EE) de la cuchilla.
- Añada grasa al accesorio. Levante y baje la máquina unas cuantas veces para hacer circular la grasa por el tubo.
- Vuelva a colocar la bolsa del manual de operación, cierre la puerta del compartimiento de herramientas (BB).



Aceite del motor:

Controle el aceite del motor:

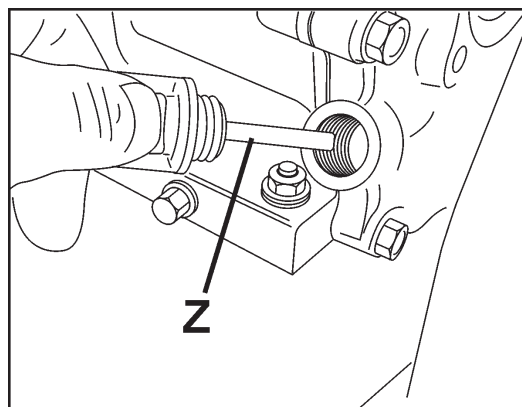


Controle que el aceite del motor esté al nivel correcto. FS 524 solamente: arranque el motor y déjelo en marcha mínima durante 1 ó 2 minutos. Detenga el motor y aguarde 2 ó 3 minutos. Para más información, consulte el manual de funcionamiento del motor.



FS 513

La varilla de medición de aceite (Z) se encuentra en la parte delantera del motor. Cargue aceite en el agujero de la varilla de medición de aceite. Al controlar el nivel de aceite, se debe atornillar la varilla de medición (Z). Para más información, consulte el manual de funcionamiento del motor.

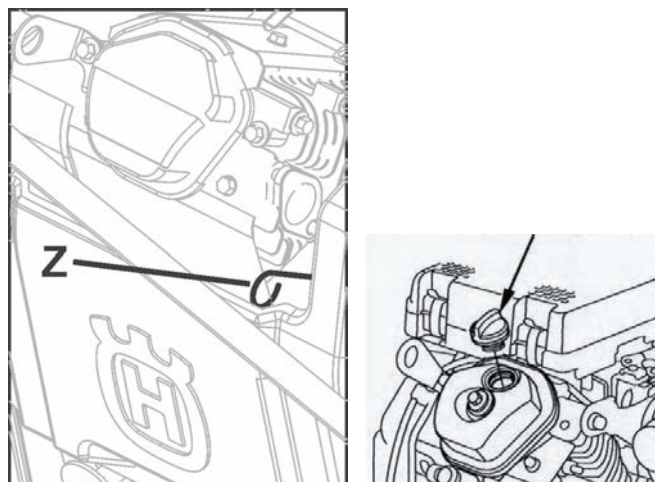


FS 513

FS 520, FS 524

La varilla de medición de aceite (Z) se encuentra en la parte delantera del motor. Vuelva a cargar aceite en el motor a través de la boca de carga de aceite (véase el manual de funcionamiento del motor). Para controlar el nivel de aceite, inserte a fondo la varilla de medición de aceite del motor (Z) y quítela. Si el nivel de aceite es bajo, quite la tapa del receptáculo y llénelo con el aceite recomendado hasta alcanzar la marca superior de la varilla de medición de aceite del motor (Z). Para más información, consulte el manual de funcionamiento del motor.

Puesto que el motor opera frecuentemente en ángulo, verifique el nivel de aceite con el motor en posición horizontal. Controle con frecuencia para asegurarse de que el nivel de aceite nunca está por debajo de la marca inferior de la varilla de medición. Se recomienda el uso de aceite 10W30. Para más información, consulte el manual de funcionamiento del motor.

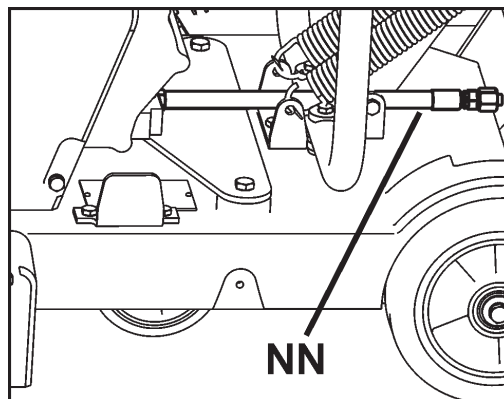


FS 520, FS 524

MANTENIMIENTO Y LUBRICACIÓN

Recambio de aceite del motor:

- Gire el interruptor de arranque del motor (DD) a la posición APAGADO / OFF (0). Deje que el motor se enfríe. Use el control de profundidad (EE) para inclinar ligeramente la máquina hacia atrás.
- Vuelva a colocar la manguera de drenaje de aceite (NN) en el costado de la máquina. Coloque detrás de la máquina un recipiente adecuado y lo suficientemente amplio para recibir el contenido de aceite del motor.
- Abra el extremo de la manguera de drenaje de aceite (NN) y descargue el aceite en el recipiente. Después de drenar el aceite, vuelva a colocar el extremo de la manguera de drenaje de aceite (NN), apriétela firmemente y vuelva a colocar la manguera en su posición original.
- Llene el motor con la cantidad de aceite recomendada; para más detalles, consulte el manual del motor.
- Disponga el aceite usado de acuerdo con las normas de seguridad ambientales.

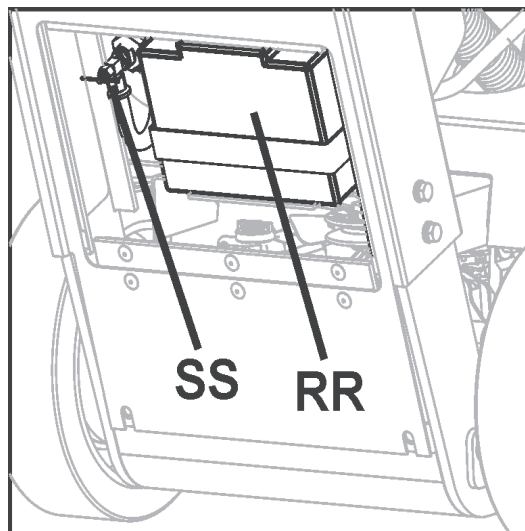


Mantenimiento de la batería (FS 520, FS 524):

La batería de arranque del motor (RR) es una unidad sellada y jamás será necesario agregarle agua. Mantenga la parte superior de la batería y las conexiones de los cables limpias y libres de corrosión. Cubra las conexiones con grasa para alta temperatura o con vaselina. Para controlar la batería periódicamente, mida el voltaje con un voltímetro de corriente continua. En una batería totalmente cargada la lectura será de 12,8 voltios. Se recomienda que el control del voltaje y la carga se realicen en el cable de la batería, en el motor de arranque situado en la parte delantera de la sierra.

Cargue la batería por lo menos una vez al mes.

Para cargar la batería puede hacer funcionar el motor durante 30 minutos como mínimo o utilizar un cargador de mantenimiento. Si la batería no arranca el motor se recomienda cambiarla o cargarla con un cargador de mantenimiento (de 2 amperios o más).



AVISO

En una batería totalmente cargada la lectura será de 12,8 voltios.

No se recomienda hacer puente con una batería más grande ni usar un cargador de refuerzo para arrancar este equipo. De lo contrario la batería interna se podrá dañar permanentemente.

MANTENIMIENTO Y LUBRICACIÓN

FS 513:

Tensión de la correa de transmisión del eje de la cuchilla: después de unas pocas horas de uso se debe volver a ajustar la tensión de la correa de transmisión. El piñón de la correa de transmisión (MM) mantiene la tensión de la misma.

Herramientas necesarias:

- Llave de 13 mm (se incluye con la máquina)
- Llave aprieta tuercas de 9,53 mm (3/8 pulgada) (no se incluye)
- Llave de 14 mm (no se incluye con la máquina)

1. Con la llave de 13 mm (U), quite los 3 (tres) tornillos M8 que sujetan la protección de la cuchilla (LL). Quite la protección de la cuchilla (LL).

2. Use las llaves de 13 y 14 mm para aflojar ligeramente los dos (2) tornillos que sujetan el piñón de la correa de transmisión (MM) [los tornillos indicados con (2) flechas].

3. Coloque la llave de ajuste en el agujero cuadrado del piñón de la correa de transmisión (MM).

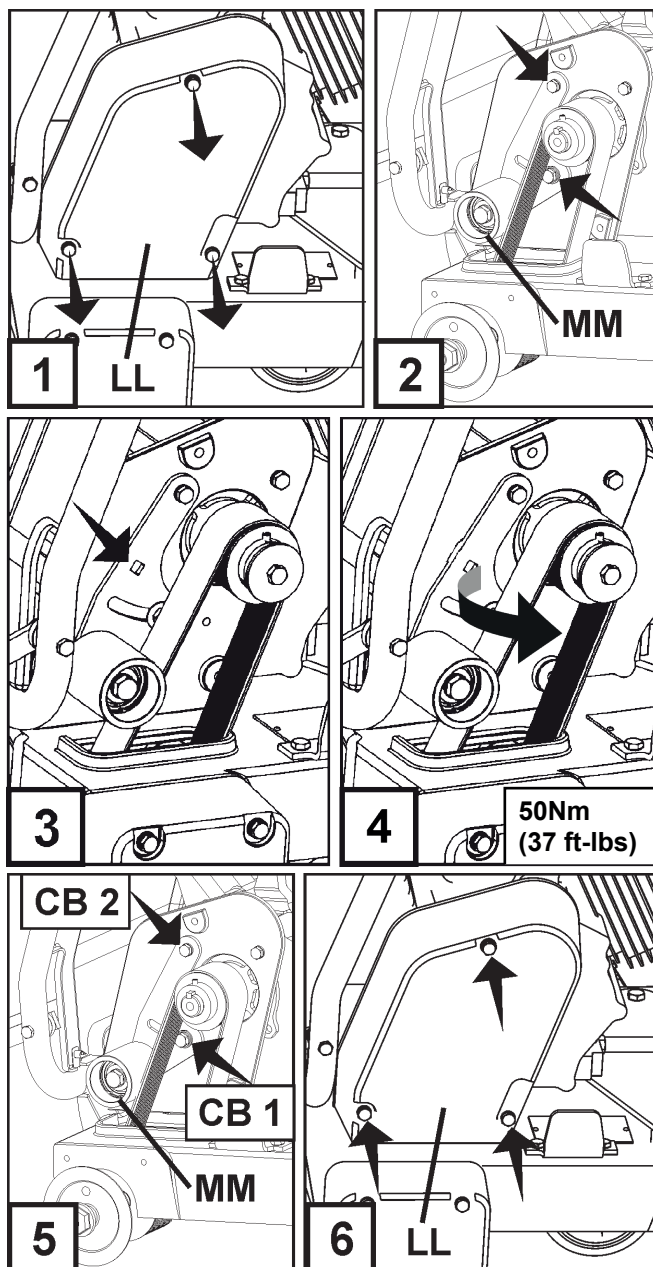
4. Apriete el piñón (MM) para que quede contra la correa en V. Apriete al valor de torsión que se indica en el diagrama 4.

5. Apriete el tornillo central (CB1) para sujetar el piñón de transmisión (MM) en su sitio, luego apriete el tornillo restante (CB2).

6. Vuelva a instalar la protección de la cuchilla (LL). Con la llave de 13 mm (U), apriete los 3 (tres) tornillos M8 que sujetan la protección de la cuchilla (LL).

Velocidad del regulador

Es sumamente importante que el Regulador y el acelerador de todos los motores de combustión interna se ajusten debidamente. La velocidad del motor se preconfigura en fábrica para proveer la velocidad de corte correcta. Normalmente NO es necesario hacer modificaciones. Se debe verificar periódicamente después de realizar mantenimiento en la máquina. Para cambiar la configuración del regulador consulte el manual del motor.



⚠ ¡ADVERTENCIA!

El exceso de velocidad en la cuchilla adiamantada (H) puede resultar en la rotura de la misma y/o accidentes personales, tanto para el operador como para otras personas en el área. Para asegurarse de que el control esté debidamente ajustado, consulte la planilla adjunta para determinar la velocidad correcta del eje de la cuchilla (RPM). Prosiga de acuerdo a las instrucciones del fabricante para configurar el regulador y el acelerador.

MANTENIMIENTO Y LUBRICACIÓN

FS 520, FS524:

Tensión de la correa de transmisión del eje de la hoja:

Esta máquina está equipada con un dispositivo dinámico de tensión de la correa que no requiere ajustes ni mantenimiento.

La tensión correcta se ajusta durante el montaje en producción. Sin embargo, si se debe sustituir la correa u otros componentes, siga los 6 pasos del procedimiento correcto especificado a continuación.

Herramientas necesarias:

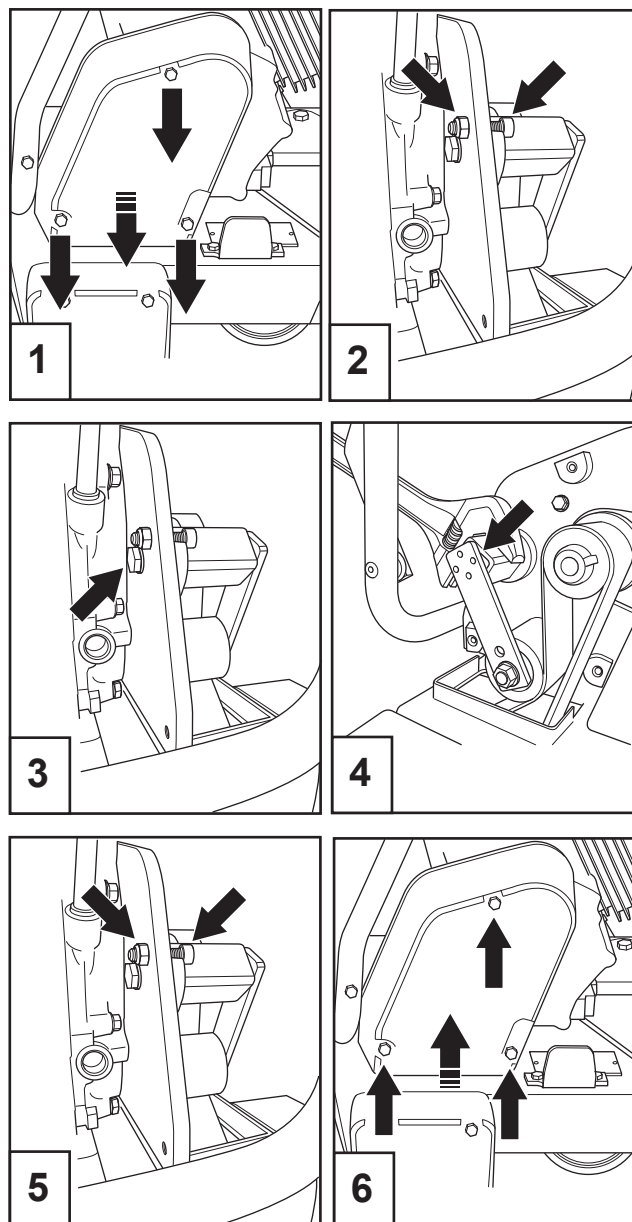
- Llave de 13 mm (incluida con la máquina).
- Llave Allen de 6 mm (no incluida con la máquina).
- Llave de 19 mm (no incluida con la máquina).
- Llave ajustable (no incluida con la máquina).

Para aflojar la tensión de la correa:

1. Con la llave de 13 mm, quite los tres (3) pernos M8 que fijan la protección de la correa. Desmonte la protección de la correa.
2. Con la llave de 13 mm y la llave Allen, quite la tuerca y el tornillo Allen (tornillo de fijación).
3. Con la llave de 19 mm, afloje ligeramente el tornillo que fija el dispositivo de tensión al disco.

Para ajustar la tensión correcta:

4. Con una llave ajustable, gire la base del dispositivo de tensión hacia la izquierda para ajustar la tensión previa necesaria.
Si el ángulo del dispositivo de tensión es de 30° y la ranura de la base del dispositivo está alineada con el orificio de la placa: apriete el tornillo de fijación con la llave de 19 mm.
5. Vuelva a colocar el tornillo Allen y la tuerca de bloqueo con la llave Allen y la llave de 13 mm.
6. Vuelva a instalar la protección de la correa. Con la llave de 13 mm, apriete los tres (3) pernos M8 que fijan la protección de la correa.



MAINTENANCE & LUBRICATION

Transmisión hidrostática:

Mantenimiento de la transmisión hidrostática (TT): no requiere ningún tipo de mantenimiento durante toda la vida útil de la máquina.

Correas de transmisión: para acceder las correas de transmisión, quite las protecciones que se ilustran en el diagrama de la derecha.

• Correa tensora de la transmisión (UU):

Tensión de la correa:

1. Controle la tensión cuando la máquina es nueva.
2. Vuelva a controlar la tensión después de 1 ó 2 horas de funcionamiento y, si fuera necesario, vuelva a ajustar a la tensión original; véanse los pasos 3 a 5 a continuación.
3. Afloje los tornillos que sujetan el tensor de la transmisión (V V) en su sitio.
4. Desplace el tensor (V V) hacia la parte trasera de la máquina para aumentar la tensión.
5. Vuelva a apretar los tornillos.

Desgaste de correas y poleas:

Controle cada 50 horas para determinar si hay desgaste en la correa o en las poleas. Cámbielas si se observa desgaste..

• Correa de transmisión hidrostática (WW):

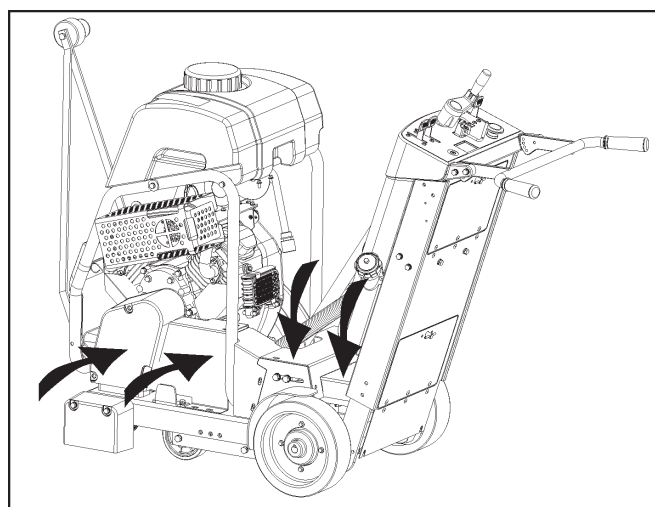
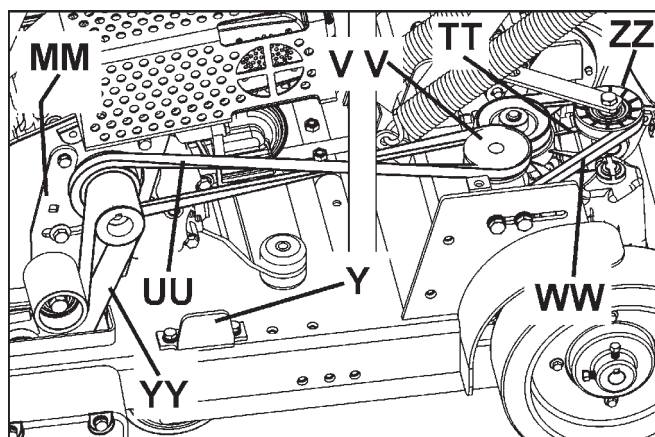
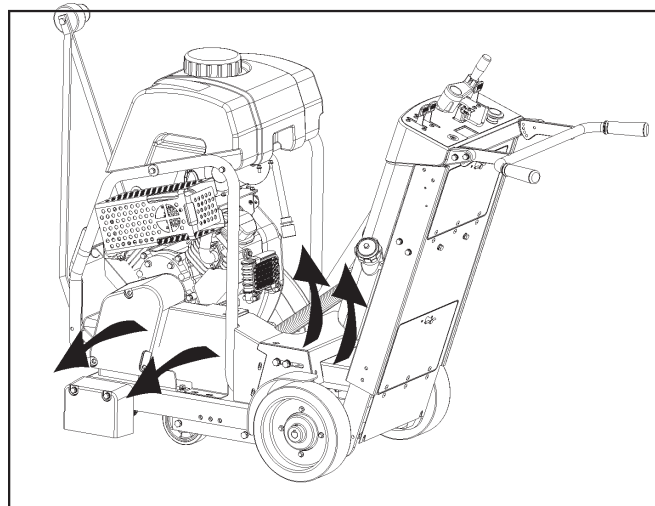
Tensión de la correa:

No es necesario controlar la tensión de la correa. El tensor de la correa de transmisión hidrostática (ZZ) es una polea autotensora accionada a resorte. Controle el resorte de la polea para determinar si está desgastado o dañado, cámbielo si fuera necesario.

Desgaste de correas y poleas:

Controle cada 50 horas para determinar si hay desgaste en la correa o en las poleas. Cámbielas si se observa desgaste.

Antes de arrancar el motor, vuelva a colocar las protecciones tal como se ilustra en el diagrama de la derecha.



GUÍA PARA LA DETERMINACIÓN Y RESOLUCIÓN DE PROBLEMAS

El motor no arranca:	
Causa	Acción
Los interruptores eléctricos no están en la posición correcta.	Verifique que TANTO el interruptor de parada de la máquina (AA) COMO el interruptor de arranque del motor (DD) estén en la posición de ENCENDIDO / ON. El interruptor de parada de la máquina (AA) se debe tirar hacia afuera desde la cubierta, y el interruptor de arranque del motor (DD) se debe girar a la posición "1" (ENCENDIDO/ON).
La válvula de combustible está cerrada.	Abra la válvula de combustible.
La válvula de inducción está abierta.	Cierre la válvula de inducción cuando el motor esté frío.
El tanque de combustible está vacío.	Llene el tanque con combustible.
Contaminación o agua en el sistema de combustible.	Limpie el tanque, las líneas de combustible y el carburador. Llene el tanque con combustible nuevo.
Acumulación en los electrodos de la bujía de encendido.	Controle el huelgo del electrodo y límpielo.
El motor no arranca o funciona inestablemente. El filtro de aire está bloqueado.	Limpie o cambie el filtro de aire.

Determinación y resolución de problemas para la cuchilla adiamantada:	
Problema	Causa y acción
<p>Pérdida de tensión en la cuchilla adiamantada</p> 	<p>La cuchilla se usa en una sierra no alineada debidamente. Controle la alineación correcta de la sierra.</p> <p>La cuchilla es demasiado "dura" para el material a cortar, lo cual crea tensión en el núcleo de la cuchilla de acero. Verifique que utiliza la cuchilla correcta para el material a cortar.</p> <p>Un diámetro incorrecto o el uso de bridas para cuchillas de dimensión menor al debido producen presión despareja en el centro de la cuchilla. Use bridas de la dimensión correcta en cada lado de la cuchilla. Nunca utilice bridas para cuchillas dañadas o gastadas.</p> <p>La cuchilla se usa a una velocidad incorrecta (RMP). Asegúrese de que el eje de la cuchilla gire a la velocidad correcta (RMP) para el tamaño de cuchilla correspondiente. Controle las RPM con el tacómetro.</p> <p>La cuchilla no está montada correctamente en el árbol. Se puede pandear al apretar las bridas.</p>
<p>Pérdida de segmento</p> 	<p>La cuchilla es muy "dura" para el material a cortar. Use una cuchilla más "blanda". Cuchilla sobrecalentada, se observa un color "azulado" en el centro de la cuchilla. Controle que el suministro de agua sea correcto y que no esté bloqueado.</p> <p>La sierra está torcida durante el corte. Corte solamente en línea recta.</p> <p>El agujero de la cuchilla está desgastado y con forma excéntrica (ovalado). Cambie la cuchilla y el vástago desgastados.</p> <p>Segmento dañado durante el montaje o transporte. Evite manipular bruscamente la cuchilla adiamantada. Nunca transporte la máquina sin antes quitar la cuchilla adiamantada.</p>
<p>Núcleo de la cuchilla rajado</p> 	<p>La cuchilla es muy "dura" para el material a cortar. Use una cuchilla más "blanda". Cuchilla sobrecalentada, se observa un color "azulado" en el centro de la cuchilla. Controle que el suministro de agua sea correcto y que no esté bloqueado.</p> <p>La sierra está torcida durante el corte. Corte solamente en línea recta.</p> <div style="border: 1px solid black; padding: 5px; text-align: center;"> <p>⚠ ¡ADVERTENCIA!</p> <p>  ¡NO use cuchillas adiamantadas dañadas! ¡El uso de la máquina con una cuchilla adiamantada dañada puede resultar en accidentes personales o muerte! </p> </div>
<p>Segmentos de cuchilla rajados</p> 	<p>La cuchilla es muy "dura" para el material a cortar. Use una cuchilla más "blanda".</p> <p>La cuchilla se usa a una velocidad incorrecta (RMP). Asegúrese de que el eje de la cuchilla gire a la velocidad correcta (RMP) para el tamaño de cuchilla correspondiente. Controle las RPM con el tacómetro.</p>

DIAGRAMA DE CABLEADO (FS 520, FS 524)

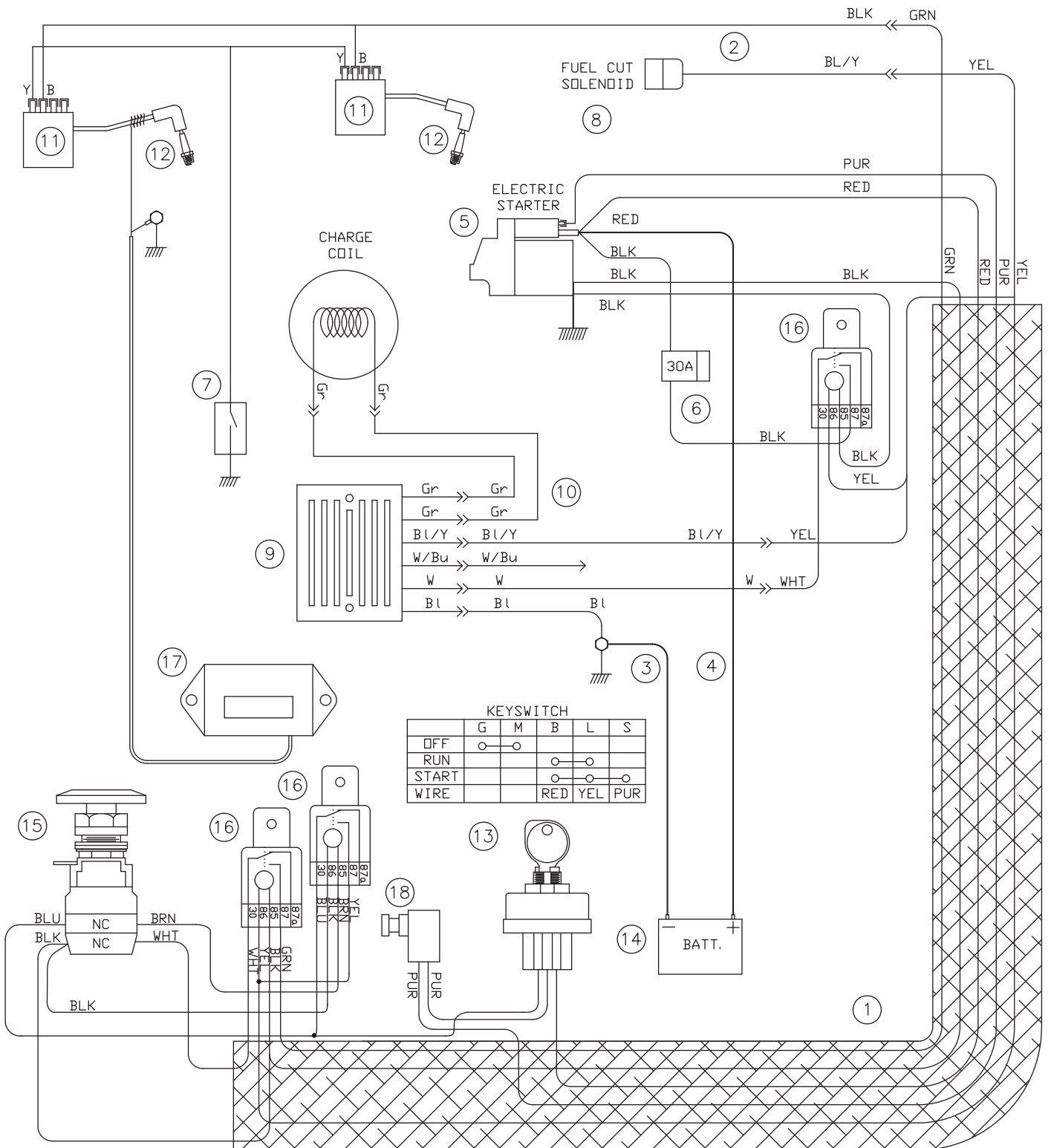
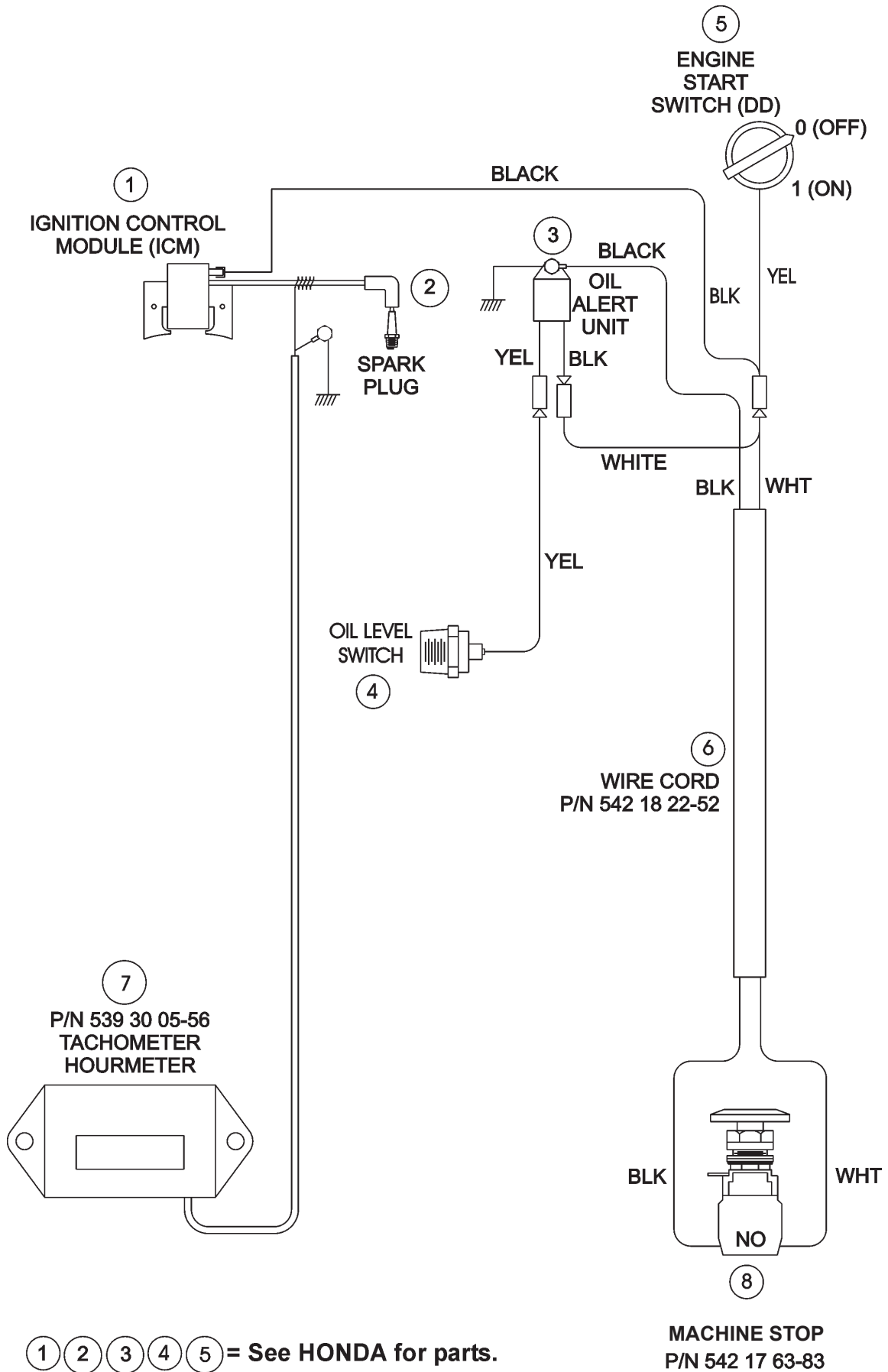


DIAGRAMA DE CABLEADO (FS 520, FS 524)

ELEM ENTO	Nº DE PIEZA	CANT IDA	DESCRIPCIÓN
1	502304815	1	MAZO DE CABLES
2		1	MAZO DE CABLES, MOTOR, HONDA
3	542182253	1	CABLE, NEGATIVO DE LA BATERÍA
4	542182254	1	CABLE, POSITIVO DE LA BATERÍA
5		1	MECANISMO DE ARRANQUE, HONDA
6	542198815	1	FUSIBLE, 30 A
7		1	INTERRUPTOR, NIVEL DE ACEITE DEL MOTOR, HONDA
8		1	SOLENOIDE DE CORTE DE COMBUSTIBLE, HONDA
9		1	REGULADOR, HONDA
10		1	MAZO DE CABLES, REGULADOR, HONDA
11		2	BOBINA, IGNICIÓN HONDA
12		2	BUJÍA
13	542177920	1	INTERRUPTOR, IGNICIÓN
14	541208318	1	BATERÍA, 12 VOLTIOS
15	505417701	1	PARADA DE LA MÁQUINA
16	542166708	2	RELÉ, NO/NC
17	539300556	1	TACÓMETRO/HORÓMETRO
18	542204052	1	INTERRUPTOR DE ENCENDIDO NEUTRO

DIAGRAMA DE CABLEADO (FS 513)



DATOS TÉCNICOS

FS 513

Emisiones de ruido (vea la nota 1)	
Nivel de potencia acústica medido dB(A)	107
Nivel de potencia acústica garantizado dB(A)	110
Niveles acústicos (vea la nota 2)	
Nivel de presión acústica en el oído del usuario, dB(A)	90
Niveles de vibraciones, a_{hv} (vea la nota 3)	
Empuñadura derecha, m/s^2	3,2
Empuñadura izquierda, m/s^2	3,3

Nota 1: Emisiones sonoras en el entorno medidas como potencia acústica (L_{WA}) según la directiva CE 2000/14/CE.

Nota 2: Nivel de presión sonora conforme a EN 13862. Los datos referidos del nivel de presión sonora tienen una dispersión estadística habitual (desviación típica) de 4,0 dB(A).

Nota 3: Nivel de vibración conforme a EN 13862. Los datos referidos del nivel de vibración poseen una dispersión estadística habitual (desviación típica) de 1,5 m/s^2 .

FS 520

Emisiones de ruido (vea la nota 1)	
Nivel de potencia acústica medido dB(A)	107
Nivel de potencia acústica garantizado dB(A)	110
Niveles acústicos (vea la nota 2)	
Nivel de presión acústica en el oído del usuario, dB(A)	89
Niveles de vibraciones, a_{hv} (vea la nota 3)	
Empuñadura derecha, m/s^2	2.2
Empuñadura izquierda, m/s^2	2.2

Nota 1: Emisiones sonoras en el entorno medidas como potencia acústica (L_{WA}) según la directiva CE 2000/14/CE.

Nota 2: Nivel de presión sonora conforme a EN 13862. Los datos referidos del nivel de presión sonora tienen una dispersión estadística habitual (desviación típica) de 4,0 dB(A).

Nota 3: Nivel de vibración conforme a EN 13862. Los datos referidos del nivel de vibración poseen una dispersión estadística habitual (desviación típica) de 1,5 m/s^2 .

FS 524

Emisiones de ruido (vea la nota 1)	
Nivel de potencia acústica medido dB(A)	109
Nivel de potencia acústica garantizado dB(A)	112
Niveles acústicos (vea la nota 2)	
Nivel de presión acústica en el oído del usuario, dB(A)	88
Niveles de vibraciones, a_{hv} (vea la nota 3)	
Empuñadura derecha, m/s^2	2.4
Empuñadura izquierda, m/s^2	1.8

Nota 1: Emisiones sonoras en el entorno medidas como potencia acústica (L_{WA}) según la directiva CE 2000/14/CE.

Nota 2: Nivel de presión sonora conforme a EN 13862. Los datos referidos del nivel de presión sonora tienen una dispersión estadística habitual (desviación típica) de 4,0 dB(A).

Nota 3: Nivel de vibración conforme a EN 13862. Los datos referidos del nivel de vibración poseen una dispersión estadística habitual (desviación típica) de 1,5 m/s^2 .

DATOS TÉCNICOS



Peso de la máquina

Modelo	Peso nominal (kg)	Peso máximo (kg)
FS 513	186 (410)	221 (487)
FS 520	231 (509)	245 (540)
FS 524	233 (514)	248 (546)

Velocidad del eje de la cuchilla y del motor

Modelo	RPM del eje de la cuchilla	RPM del motor
FS 513	2700	3600
FS 520	2100	3600
FS 524	2100	3600

⚠ ¡ADVERTENCIA!

Utilice solamente cuchillas indicadas para una velocidad máxima de operación superior a la velocidad del eje de la cuchilla.

¡NO utilice una cuchilla más grande sin antes colocar las correas y poleas adecuadas!

Profundidad de corte

Modelo	Tamaño de la cuchilla, mm (")	Profundidad máx. de corte de la cuchilla, mm (")
FS513	500 (20)	179 (7,2)
FS520	500 (20)	191 (7,7)
FS524	600 (24)	241 (9,7)

Tamaño del árbol y de la brida de la hoja

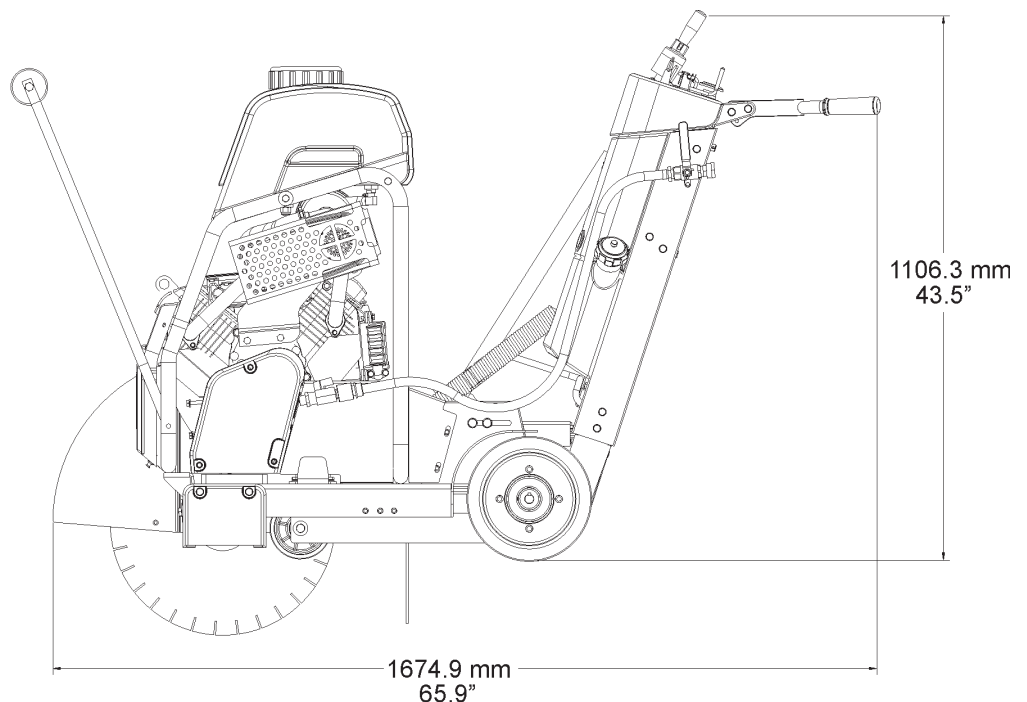
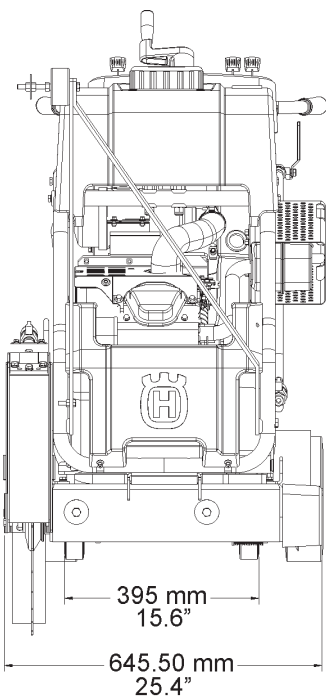
Tamaño del árbol, mm (pulg.)	25,4 (1)
Diámetro de la brida de la hoja, mm (pulg.)	114 (4,5)

Capacidad del tanque de combustible

Modelo	Capacidad
FS 513	6,5 litros (1,72 galones EE.UU.) (1,43 galones Reino Unido)
FS 520	7,9 litros (2,1 galones EE.UU.) (1,7 galones Reino Unido)
FS 524	7,9 litros (2,1 galones EE.UU.) (1,7 galones Reino Unido)

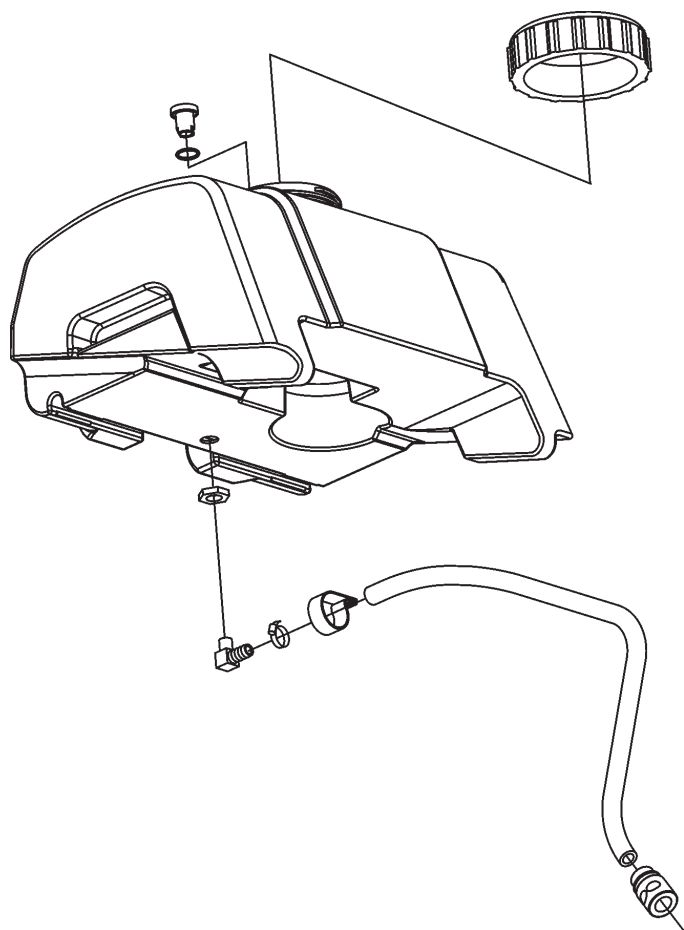
Capacidad del tanque de agua

25 litros (6,6 galones EE.UU. / 5,5 galones Reino Unido)



ACCESORIOS

Ensamblado del tanque de agua
Conjunto completo 541 20 82-86



CERTIFICADOS DE CUMPLIMIENTO

Instituto Estadounidense de Normas Nacionales (American National Standards Institute): para unidades utilizadas en los Estados Unidos, esta máquina ha sido diseñada en cumplimiento de la norma ANSI B7.1-2000, "Requisitos de seguridad para el uso, cuidado y protección de ruedas abrasivas" del Instituto Estadounidense de Normas Nacionales (ANSI). Para adquirir esta norma comuníquese con el Instituto Estadounidense de Normas Nacionales en la siguiente dirección:

American National Standards Institute
25 West 43rd Street, 4th floor
Nueva York, NY 10036

Teléfono: 212.642.4900
Fax: 212.398.0023

COMISIÓN DE RECURSOS DE AIRE DE CALIFORNIA (CARB/CALIFORNIA AIR RESOURCES

BOARD) De acuerdo con las normas CARB, esta máquina se considera como aplicación para uso fuera de la vía pública. Bajo equipos de construcción y en particular como sierra para hormigón (Sierras: hormigón, mampostería, recortes), con motor de potencia inferior a 19 KW (25 CV), las normas CARB no corresponden a esta máquina.

Para mayor información, consulte el sitio web <http://www.arb.ca.gov/msprog/offroad/preempt.htm>

DECLARACIÓN CE DE CONFORMIDAD

(Aplicable solo para Europa)

Husqvarna AB, SE-561 82 Huskvarna (Suecia), tel +46-36-146500, declara bajo su única responsabilidad que las cortadoras de suelo **Husqvarna FS 513, FS 520, FS 524** a partir de los números de serie del año 2016 en adelante (el año se indica claramente en la placa de características, a continuación del número de serie) cumplen los requisitos de las DIRECTIVAS DEL CONSEJO:

- de 17 de mayo de 2006 "relativa a máquinas", 2006/42/CE.
- de 26 de febrero de 2014 "relativa a compatibilidad electromagnética", 2014/30/UE.
- de martes, 08 de mayo de 2000 "relativa a emisiones sonoras en el entorno", 2000/14/CE.

Se han aplicado las normas siguientes: EN ISO 12100:2010, CISPR12:2007+Amd1:2009, EN55012:2007+A1:2009, EN13862+A1:2009, EN ISO 14982:2009.

SMP Svensk Maskinprovning AB, Box 7035, SE-750 07 Uppsala, Suecia, ha efectuado el examen de tipo voluntario de conformidad con la Directiva sobre máquinas (2006/42/CE), para Husqvarna AB. El certificado tiene el número: SEC/17/2478

Gotemburgo, 26 de febrero de 2016



Joakim Ed
Director mundial de I+D
Equipos de construcción Husqvarna AB
(Representante autorizado de Husqvarna AB y responsable de la documentación técnica)

FEDERAL EMISSION CONTROL WARRANTY STATEMENT

YOUR WARRANTY RIGHTS AND OBLIGATIONS

The Environmental Protection Agency and Husqvarna Construction Products are pleased to explain the evaporative emission control system (EECS) warranty on your 2011 and later small off-road engine (SORE) or equipment. New SOREs or equipment must be designed, built, and equipped to meet the new stringent anti-smog standards. Husqvarna Construction Products must warrant the EECS on your SOREs or equipment for the period of time listed below provided there has been no abuse, neglect, or improper maintenance of your SOREs or equipment.

Your EECS may include parts such as the carburetor or fuel tanks, fuel lines, fuel caps, valves, canisters, filters, vapor hoses, clamps, connectors, and other associated components. The covered parts for 2011 and later are given below. When a warrantable condition exists, Husqvarna Construction Products will repair your SORE engine or equipment at no cost to you, including diagnosis, parts, and labor.

MANUFACTURER'S WARRANTY COVERAGE

This EECS is warranted for two (2) years. If any evaporative emission-related part included in the list of warranted EECS parts for your equipment is defective, the part will be repaired or replaced by Husqvarna Construction Products.

OWNER'S WARRANTY RESPONSIBILITIES

As the SORE owner, you are responsible for performance of the required maintenance listed in your owner's manual. Husqvarna Construction Products recommends that you retain all receipts covering maintenance on your SORE, but Husqvarna Construction Products cannot deny warranty solely for the lack of receipts. As the SORE owner you should be aware that Husqvarna Construction Products may deny you warranty coverage if your SORE or a warranted EECS part has failed due to abuse, neglect, or improper maintenance or unapproved modifications. You are responsible for presenting your SORE to a Husqvarna Construction Products service center as soon as the problem exists. The warranty repairs should be completed in a reasonable amount of time, not to exceed 30 days. If you have a question regarding your warranty coverage, you should contact the Husqvarna Construction Products service center at 1-800-288-5040 or www.USA.husqvarnacp.com.

GENERAL EMISSION WARRANTY COVERAGE

Husqvarna Construction Products warrants to the ultimate purchaser and each subsequent purchaser that your SORE or equipment is: Designed, built, and equipped to conform to all applicable regulations; and Free from defects in materials or workmanship that cause the failure of a warranted part to be identical in all material respects to that part as described in the original Husqvarna Construction Products Application for Certification. The warranty period begins on the date the equipment is delivered to the ultimate purchaser or first placed into service. The warranty period is two (2) years. Subject to certain conditions and exclusions as stated below, the warranty on covered emission-related parts is as follows:

- 1 Any warranted part that is not scheduled for replacement as required maintenance in the written instructions supplied is warranted for the warranty period stated above. If the part fails during the warranty period the part will be repaired or replaced by Husqvarna Construction Products according to subsection (4) below. Any such part repaired or replaced under warranty will be warranted for the remainder of the period.
- 2 Any warranted part that is scheduled for regular inspection in the written instructions supplied is warranted for the full warranty period. Any such part repaired or replaced under warranty will be warranted for the remaining warranty period.
- 3 Any warranted part that is scheduled for replacement as required maintenance in the written instructions supplied is warranted for the full warranty period before the first scheduled replacement date for that part. If the part fails before the first scheduled replacement, the part will be repaired or replaced by Husqvarna Construction Products according to subsection (4) below. Any such part repaired or replaced under warranty will be warranted for the remainder of the period prior to the first scheduled replacement point for the part.
- 4 Repair or replacement of any warranted part under the warranty provisions herein must be performed at a Service Center at no cost to the owner.
- 5 Notwithstanding the provisions herein, warranty services or repairs will be provided at all of our service centers that are franchised to service the subject engines or equipment.
- 6 The engine or equipment owner will not be charged for diagnostic labor that is directly associated with diagnosis of a defective emission-related warranted part, provided that such diagnostic work is performed at an authorized Service Center.
- 7 Husqvarna Construction Products may be liable for damages to other engine or equipment components proximately caused by a failure under warranty of any warranted part.
- 8 Throughout the warranty period stated above, Husqvarna Construction Products will maintain a supply of warranted parts sufficient to meet the expected demand for such parts.
- 9 Any replacement part may be used in the performance of any warranty maintenance or repairs must be provided without charge to the owner.
- 10 Add-on or modified parts that are not exempted by the Air Resources Board may not be used. The use of any non-exempt add-on or modified parts by the ultimate purchaser or subsequent purchaser will be grounds for disallowing a warranty claim. Husqvarna Construction Products will not be liable to warrant failures of warranted parts caused by the use of a non-exempted add-on or modified part.

FEDERAL EMISSION CONTROL WARRANTY STATEMENT

WARRANTED PARTS

The repair or replacement of any warranted part otherwise eligible for warranty coverage may be excluded from such warranty coverage if Husqvarna Construction Products demonstrates that the engine or equipment has been abused, neglected, or improperly maintained, and that such abuse, neglect, or improper maintenance was the direct cause of the need for repair or replacement of the part. That notwithstanding, any adjustment of a component that has a factory installed and properly operating adjustment limiting device is still eligible for warranty coverage. The following emission warranty parts are covered:

- 1 Liquid Fuel Lines
- 2 Fuel Line Clamps and Fittings
- 3 Fuel tank
- 4 Fuel System Vapor Vent Lines
- 5 Fuel cap
- 6 Fuel System Valves (rollover valves and anti-slosh valves where applicable)
- 7 Carbon Canister (where applicable)

INFORMACIÓN DE CONTACTO



Husqvarna Construction Products, North America

Sede Social

17400 West 119th Street, Olathe, Kansas 66061 Estados Unidos

Sede Social: 913-928-1000

Fax de la sede social: 913-438-7951

www.husqvarna.com

Para efectuar un servicio local, póngase en contacto con su representante local de Husqvarna Construction Products.

Europa / Europe:

Husqvarna Construction Products

SE-433 81 Partille, Sweden

Tel: +46 31 94 90 00

Fax: +46 31 94 90 50

Asia (Pacífico):

Husqvarna Construction Products, Australia Pty Ltd

25-31 Kinkaid Avenue,
North Plympton, Adelaide,

Australia del sur 5037

Tel:+61 (0)8 8375 1000

Fax:+61 (0)8 8371 0990

América:

Husqvarna Construction Products, North America

17400 West 119th Street, Olathe, Kansas 66061 Estados Unidos

Teléfono gratuito: 800-288-5040, Teléfono: 913-928-1300

Fax: 913-438-7938

NOTAS

SOMMAIRE et INTRODUCTION

Sommaire

Section	Page
Sommaire et introduction	85
Symboles et autocollants	86-90
Instructions de sécurité	91-95
Identification des pièces	96-98
Assemblage	99-103
Utilisation	104-110
Entretien et lubrification	111-116
Guide de dépannage	117
Schéma de câblage	118-120
Données techniques	121-122
Accessoires	123
Certificats de conformité	124
Informations de contact	125

Introduction

Merci d'avoir acheté cette nouvelle machine Husqvarna Construction Products. Nous avons placé des messages de sécurité importants dans ce manuel et sur la machine. Ces messages doivent être lus avec attention. Un message de sécurité met en garde contre des dangers potentiels susceptibles de blesser l'utilisateur ou d'autres personnes. Chaque message de sécurité est précédé d'un symbole ou du symbole de mise en garde (⚠) et du terme **AVERTISSEMENT** ou **ATTENTION**.

Ces termes de mise en garde signifient :

⚠ AVERTISSEMENT : Signale une situation dangereuse qui, si elle n'est pas évitée, POURRAIT entraîner la mort ou des blessures graves.

⚠ ATTENTION : Signale une situation dangereuse qui, si elle n'est pas évitée, POURRAIT entraîner des blessures légères à modérées. Il sert également à mettre en garde contre certaines pratiques peu sûres.

Chaque message indique quel est le danger, ce qui peut se produire et ce qui peut être fait pour éviter ou réduire les dommages. D'autres messages importants sont précédés du terme **AVIS**.

AVIS signifie :

AVIS : Signale une situation dangereuse qui, si elle n'est pas évitée, pourrait entraîner des dégâts matériels. La machine ou d'autres biens matériels peuvent être endommagés si ces instructions ne sont pas respectées.

Les étiquettes de sécurité doivent être contrôlées et nettoyées par l'utilisateur à intervalles réguliers pour maintenir une bonne lisibilité à une distance sûre. Changer l'étiquette si elle est usée, endommagée ou illisible.

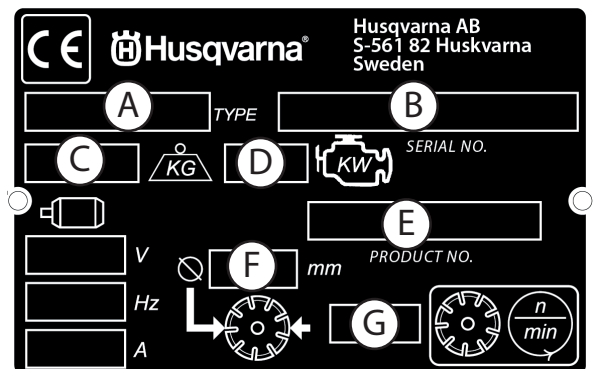
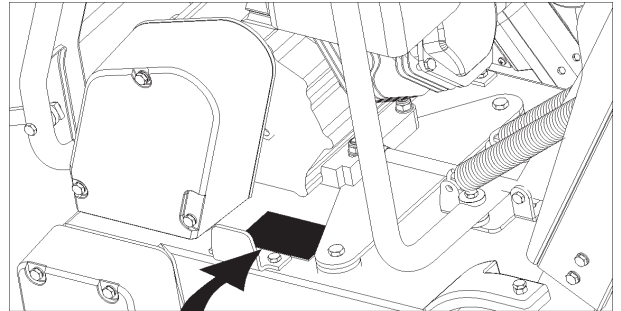
⚠ AVERTISSEMENT !



Avant d'utiliser la machine, lire et comprendre ce manuel d'utilisation en entier et le manuel d'utilisation du moteur fourni avec le moteur.

Veiller à se familiariser avec la machine avant utilisation !

Identification du modèle : Consigner ci-dessous les renseignements de la plaque signalétique de la machine pour référence ultérieure.



A. Modèle : _____

B. Date de fabrication, année, semaine, numéro de série _____

C. Masse de la machine (kg) _____

D. Puissance du moteur (KW) _____

E. Référence de produit _____

F. Diamètre du disque (mm) _____

G. Vitesse du disque (tours/minute) _____

Autres renseignements ne figurant pas sur la plaque signalétique :

N° de série moteur : _____

Voir l'emplacement dans le manuel d'utilisation du moteur.

Date d'achat : _____

SYMBOLES et AUTOCOLLANTS



Veiller à lire les instructions d'utilisation avant d'utiliser la machine pour la première fois.



Ce symbole indique que la machine est conforme à la directive européenne applicable.



Obligatoire



Indication



Interdiction



Triangle d'avertissement



Porter une protection des yeux



Porter une protection respiratoire



L'utilisation d'une protection des oreilles est obligatoire



Porter une protection de la tête



Porter des chaussures de sécurité



Porter des vêtements appropriés



Déposer le disque avant de soulever, charger, décharger et transporter la machine.



Arrêt de la machine, débrayage de la transmission



Utiliser dans un endroit bien aéré



Ne pas utiliser dans des lieux où se trouvent des matières inflammables



Risques présentés par la machine ; garder les mains et les pieds éloignés.



Silencieux très chaud. Risque de brûlures et/ou d'inflammation de matières. Éviter le contact.



Avertissement, gaz d'échappement toxiques



Pas de spectateurs à proximité



Ne pas fumer



Ne pas utiliser si la protection de disque n'est pas en place



Toujours laisser toutes les protections en place



Alimentation en eau ouverte







Alimentation en eau fermée



Alimentation en eau

SYMBOLES et AUTOCOLLANTS

	Interrupteur de sécurité de l'eau du disque		Commutateur électrique - Démarrage
	Température du liquide de refroidissement du moteur		Les réparations ne doivent être effectuées que par un concessionnaire agréé
	Maintenir la zone de travail propre et bien éclairée ; enlever tout ce qui constitue un danger		Phare
	Niveau de bruit élevé, dangereux		Disque diamanté
	Accorder une très grande attention à l'entretien et aux protections de la machine avant de la mettre en marche		Diamètre du disque
	Enlever les outils de la zone de travail et de la machine		Embrayage du disque
	Pression d'huile moteur		Diamètre de poulie
	Huile nécessaire		Nombre de tours par minute, vitesse de rotation
	Jauge de niveau ; maintenir le niveau d'huile correct		Diamètre du flasque de disque
	Point de lubrification		Butée de profondeur du disque
	Haut régime		Indicateur de profondeur de sciage – profondeur d'entaille
	Bas régime		Frein de stationnement
	Commutateur électrique - Arrêt		Frein de stationnement - engagé
	Commutateur électrique - Marche		Frein de stationnement - désengagé

SYMBOLES et AUTOCOLLANTS



Masse de la machine (kg)



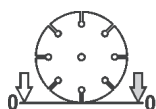
Arrêt du moteur



Borne positive de batterie



Démarrage du moteur



Indicateur de profondeur de disque – zéro



Marche du moteur



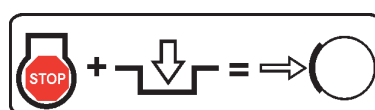
Moteur électrique



Débrayer pour démarrer le moteur (démarrage au point mort)



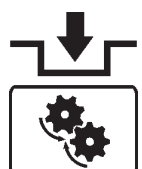
Moteur



Arrêter le moteur et engager la transmission pour engager le frein de stationnement



Régime moteur, tours/minute



Engager la transmission



Démarrage du moteur



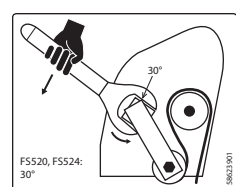
Débrayer la transmission



Carburant sans plomb uniquement



Clé 30°



Flèche sur la protection de l'outil indiquant le sens de rotation de l'outil.



Émissions sonores dans l'environnement selon la directive de la Communauté européenne. Les émissions de la machine sont indiquées au chapitre Caractéristiques techniques et sur les autocollants.

SYMBOLES et AUTOCOLLANTS

FS 513

P/N 542 19 07-08 (2)
Lieu : Côté gauche et droit du tableau
de bord (FS 513 uniquement)

FS 520

P/N 542 19 07-09 (2)
Lieu : Côté gauche et droit du tableau
de bord (FS 520 uniquement)

FS 524

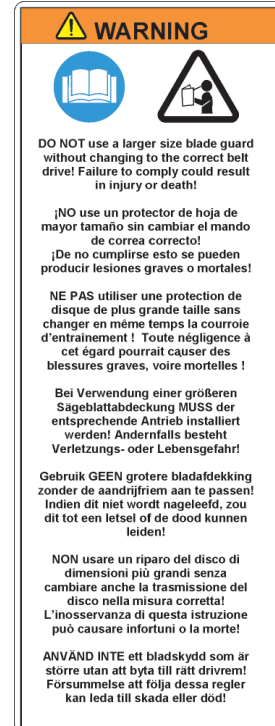
P/N 542 19 07-10 (2)
Lieu : Côté gauche et droit du tableau
de bord (FS 524 uniquement)



P/N 578077501
Lieu : Haut du châssis, côté droit
(FS 520, FS 524 uniquement)



P/N 542 19 07-33
Lieu : Avant du capot

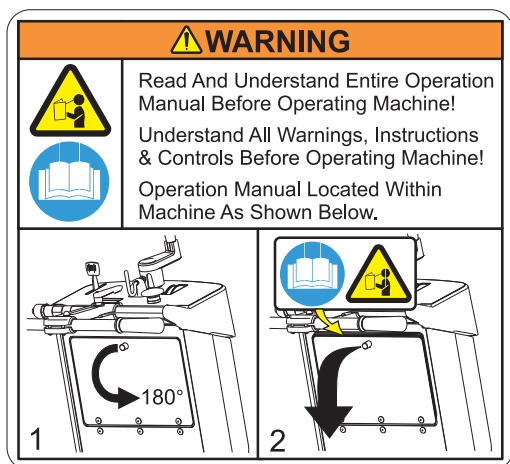


P/N 542 16 72-98 (2x)
Lieu : Côté gauche et côté droit
du protège-disque (FS 513, 520
uniquement)



P/N 542 19 05-89
Lieu : Jauge de profondeur

SYMBOLES et AUTOCOLLANTS



P/N 542 19 05-93
Lieu : Arrière du capot



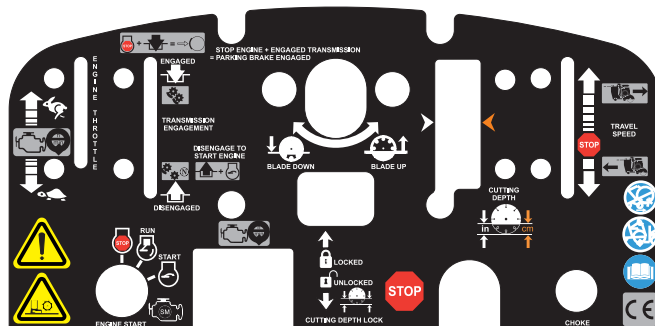
P/N 542 19 06-17
Lieu : Réservoir d'eau (selon équipement)



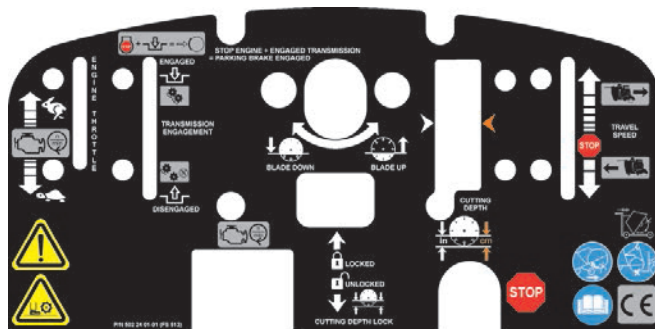
P/N 542 16 90-65
Lieu : Partie supérieure du carter de courroie

PATENT PENDING

P/N 542 16 12-35 EN ATTENTE DE BREVET
Lieu : Haut du châssis, côté droit



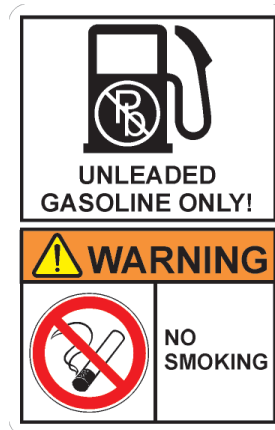
P/N 502 24 01-03
Lieu : Partie supérieure du tableau de bord, FS 520, FS 524



P/N 502 24 01-01
Lieu : Partie supérieure du tableau de bord, FS 520, FS 524



P/N 542 19 06-38
Lieu : Arrière du capot



P/N 542 19 06-39
Lieu : Châssis, près du remplissage de carburant (FS 520, FS 524)

INSTRUCTIONS DE SÉCURITÉ

Généralités

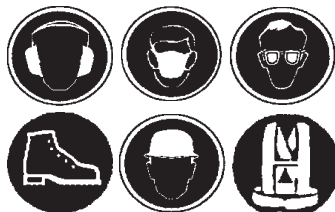
AVERTISSEMENT !



Avant d'utiliser la machine, lire et comprendre ce manuel d'utilisation en entier et le manuel d'utilisation du moteur fourni avec le moteur.



Veiller à se familiariser avec la machine avant utilisation !



L'utilisateur doit porter un équipement de protection individuelle et des vêtements adaptés au travail à effectuer. L'équipement de protection individuelle, notamment protection des yeux et des oreilles, est obligatoire.



La zone de travail doit être complètement dégagée, bien éclairée et tous les obstacles à la sécurité doivent avoir été retirés.



Toute personne qui n'est pas directement concernée par le travail doit s'éloigner.



AVERTISSEMENT ! Ne faites pas entrer l'outil en contact avec la machine lorsqu'elle est en marche.



AVERTISSEMENT ! La lame tourne lorsque le moteur démarre ou a démarré.

Carburant :



AVERTISSEMENT ! Manipuler le carburant avec précaution. Être conscient des risques d'incendie, d'explosion et d'inhalation de vapeurs.

- Conserver le carburant exclusivement dans des récipients prévus à cet effet.
- Effectuer le plein de carburant uniquement avec le moteur à l'ARRÊT. Ne jamais enlever le bouchon du réservoir et remplir le réservoir de carburant avec le moteur en marche.
- Toujours effectuer le plein dans un endroit bien ventilé.
- Ne jamais remplir le réservoir à l'intérieur d'un bâtiment.
- Laisser le moteur refroidir avant d'effectuer le plein.



Ne jamais effectuer le plein à proximité de flammes ou d'étincelles. Ne pas utiliser la machine à proximité de matières inflammables.



Ne pas fumer durant le plein de carburant ou l'utilisation de la machine.

- Déplacer la machine de 3 mètres depuis l'endroit où est effectué le plein avant de démarrer le moteur.
- Ne jamais démarrer la machine :
 - 1) Si du carburant a été déversé sur la machine. Essuyer tout déversement et laisser le carburant s'évaporer.
 - 2) Si du carburant a été déversé sur les vêtements ou sur soi-même. Laver à l'eau et au savon toute partie du corps qui est venue au contact du carburant.
 - 3) Si la machine présente une fuite de carburant. Contrôler régulièrement l'étanchéité du bouchon de réservoir et des conduites de carburant.
- Entreposer et transporter la machine et le carburant de manière à empêcher toute fuite ou vapeur de carburant de venir au contact d'étincelles ou de flammes, notamment de machines ou moteurs électriques, relais/commutateurs électriques ou chaudières.



AVERTISSEMENT CONCERNANT LA POUSSIÈRE

Le sciage et surtout le sciage À SEC produisent de la poussière dégagée par le matériau taillé, qui contient fréquemment de la silice. La silice est un élément de base du sable, du quartz, de la terre argileuse, du granit et de nombreux autres minéraux et roches. L'exposition à une quantité excessive d'une telle poussière peut causer :

- Maladies respiratoires (affectant la capacité de respirer), notamment bronchite chronique, silicose et fibrose pulmonaire résultant de l'exposition à la silice. Ces maladies peuvent être mortelles.
- Irritation de la peau et rougeurs
- Cancer, selon NTP* et CIRC*

* National Toxicology Program, Centre international de recherche sur le cancer

Prendre des mesures de précaution

- Éviter l'inhalation de poussière, vapeurs et émanations ainsi que leur contact avec la peau ;
- Pour minimiser la poussière, scier à l'eau autant que possible ;
- Porter et s'assurer que toutes les personnes présentes portent une protection respiratoire appropriée telle que masque antipoussière conçu pour filtrer les particules microscopiques (voir la réglementation 29 CFR Part 1910.1200 de l'OSHA).

Proposition 65 de Californie – Avertissement :

L'utilisation de ce produit peut provoquer une exposition à des substances reconnues, par l'état de Californie, comme pouvant causer le cancer et/ou des malformations congénitales ou d'autres effets néfastes sur l'appareil reproducteur.

INSTRUCTIONS DE SÉCURITÉ



AVERTISSEMENT GAZ D'ÉCHAPPEMENT TOXIQUES



CETTE SCIE EST EXPÉDIÉE DE L'USINE SANS CONVERTISSEUR CATALYTIQUE.

CE MOTEUR DÉGAGE DES GAZ D'ÉCHAPPEMENT CONTENANT DE L'OXYDE DE CARBONE ET IL EST **DANGEREUX** DE L'UTILISER DANS DES ENDROITS CLOS. L'EMPLOI D'UN CONVERTISSEUR CATALYTIQUE RÉDUIT LES ÉMISSIONS D'OXYDE DE CARBONE DANS LES GAZ D'ÉCHAPPEMENT, MAIS IL EST TOUJOURS **DANGEREUX** DE L'UTILISER DANS DES ENDROITS CLOS.

NE L'UTILISER QUE DANS DES ENDROITS BIEN VENTILÉS. LA QUALITÉ DE L'AIR DU CHANTIER DOIT ÊTRE CONFORME À LA RÉGLEMENTATION 29 CFR 1910.1000 DE L'OSHA, TABLEAU Z-1, LIMITES DE CONTAMINANTS DE L'AIR.

SURVEILLER LA QUALITÉ DE L'AIR DU CHANTIER POUR VÉRIFIER LA CONFORMITÉ. LE NON-RESPECT DES LIMITES ADMISES CONSTITUERA UNE MENACE POUR LA VIE ET PROVOQUERA DES LÉSIONS IRRÉVERSIBLES GRAVES OU MORTELLES.

Information générale

Le monoxyde de carbone (CO) est l'un des quelques gaz industriels fréquemment rencontrés à être à la fois fortement toxique (poison) et inodore. Lorsqu'il est inhalé, le CO devient un asphyxiant chimique car il se combine de manière préférentielle à l'hémoglobine du sang. L'hémoglobine ne peut alors plus transporter la quantité normale d'oxygène et les tissus sont ainsi privés d'oxygène. Parmi les symptômes d'une exposition à une faible dose d'oxyde de carbone, on note des maux de tête, des vertiges, une confusion et des nausées. **Toutefois, une exposition continue ou plus intense peut provoquer une perte de conscience, des lésions irréversibles et la mort.** En raison des dangers pour la santé associés à l'inhalation de CO, l'Occupational Safety and Health Administration (OSHA) (É.-U.) (direction de la sécurité et de l'hygiène du travail) a imposé des limites d'exposition personnelles. Ces limites d'exposition de l'OSHA spécifiées dans 29 CFR 1910.1000 (révision 1998) autorisent une valeur maximale de 200 ppm et une valeur limite d'exposition pondérée dans le temps (TWA) de 35 ppm par quart de 8 heures pour une semaine de travail de 40 heures. Il est fortement recommandé de consulter le règlement 29 CFR 1910.1000 de l'OSHA (Code de réglementations fédérales), ou l'organisme local approprié, pour plus d'informations sur les limites d'exposition aux diverses substances dangereuses. En cas de suspicion d'intoxication au CO, amener immédiatement la victime à l'air frais et obtenir une assistance médicale d'urgence.

Ventilation correcte :

CETTE SCIE EST EXPÉDIÉE DE L'USINE SANS CONVERTISSEUR CATALYTIQUE. Il est important de savoir que les scies équipées de convertisseurs catalytiques ont des émissions de monoxyde de carbone et d'hydrocarbure réduites. Mais les gaz d'échappement contiennent toujours de l'oxyde de carbone. Si l'espace de travail est trop confiné ou mal ventilé, le monoxyde de carbone risque de s'accumuler et de dépasser les limites admissibles. Dans ce cas, le personnel doit s'éloigner des zones de forte concentration. Les opérateurs et le personnel d'encadrement doivent prendre des précautions nécessaires pour garantir en permanence une ventilation suffisante de l'espace de travail. Des détecteurs de monoxyde de carbone doivent être utilisés pour s'assurer que la ventilation est suffisante.



AVERTISSEMENT DANGER POUR L'OUÏE

DURANT L'UTILISATION NORMALE DE CETTE MACHINE, L'OPÉRATEUR PEUT ÊTRE EXPOSÉ À UN NIVEAU DE BRUIT ÉGAL OU SUPÉRIEUR À **85 dB (a)**. IL PEUT EN RÉSULTER DES DOMMAGES TEMPORAIRES ET/OU IRRÉVERSIBLES. DISPOSITIF DE PROTECTION ANTIBRUIT REQUIS.

NOTES

INSTRUCTIONS DE SÉCURITÉ

SÉCURITÉ D'ABORD !



CONSIGNES DE SÉCURITÉ A FAIRE ET À NE PAS FAIRE



AVERTISSEMENT : LE NON-RESPECT DE CES CONSIGNES DE SÉCURITÉ ET DES INSTRUCTIONS D'UTILISATION RISQUE D'ENTRAÎNER DES BLESSURES GRAVES OU MORTELLES.

A FAIRE

- A FAIRE** Lire ce manuel d'utilisation en entier avant d'utiliser cette machine. Lire et comprendre tous les avertissements, instructions, commandes et définitions de symboles figurant dans ce manuel et sur la machine.
- A FAIRE** Toujours donner un exemplaire de ce manuel à l'utilisateur du matériel. Pour obtenir des exemplaires supplémentaires, téléphoner au 1-800-288-5040 aux États Unis ou au +1-913-928-1300 en dehors ou consulter la section « Informations de contact » de ce manuel.
- A FAIRE** Garder toutes les protections à leur place et en bon état.
- A FAIRE** Porter des dispositifs de protection des oreilles, des yeux, de la tête et des voies respiratoires homologués.
- A FAIRE** Lire et comprendre tous les avertissements et instructions figurant sur la machine.
- A FAIRE** Tenir toutes les parties du corps à l'écart du disque et autres pièces en mouvement.
- A FAIRE** Savoir comment arrêter rapidement la machine en cas d'urgence.
- A FAIRE** Arrêter le moteur et le laisser refroidir avant d'effectuer le plein de carburant ou une opération d'entretien.
- A FAIRE** Inspecter le disque, les flasques et les axes pour vérifier qu'ils ne sont pas endommagés avant d'installer le disque.
- A FAIRE** Utiliser la taille de flasque de disque spécifiée pour chaque taille de disque.
- A FAIRE** Utiliser uniquement des disques diamantés à âme acier fabriqués pour une utilisation sur les scies à béton.
- A FAIRE** Utiliser uniquement les flasques de disque fournis avec la scie. Ne jamais utiliser de flasques de disque endommagés ou usés.
- A FAIRE** Utiliser uniquement des disques marqués avec une vitesse maximale de fonctionnement supérieure à la vitesse de l'axe du disque. Vérifier la vitesse en vérifiant la vitesse de rotation de l'axe du disque, le diamètre des poulies et le diamètre des flasques de disque.
- A FAIRE** Vérifier la configuration de l'entraînement de scie en vérifiant la vitesse de l'axe de disque, le diamètre des poulies et le diamètre des flasques de disque.
- A FAIRE** Lire toutes les consignes de sécurité et instructions accompagnant tout disque utilisé avec cette machine.
- A FAIRE** Inspecter soigneusement chaque disque avant de l'utiliser. S'il paraît endommagé ou présente une usure inhabituelle, **NE PAS UTILISER LE DISQUE.**
- A FAIRE** Monter le disque solidement et fermement ; serrer l'écrou du mandrin avec une clé.
- A FAIRE** S'assurer que le disque et les flasques sont propres et exempts de saleté et de débris avant de monter le disque sur la scie.
- A FAIRE** Utiliser le disque approprié au type de travail à effectuer. En cas de doute sur le disque à utiliser, demander conseil au fabricant de disques.
- A FAIRE** Faire preuve de prudence et suivre les instructions pour charger et décharger la machine.
- A FAIRE** N'utiliser cette machine que dans des endroits bien ventilés. L'inhalation de gaz d'échappement toxiques peut provoquer la mort.
- A FAIRE** Indiquer aux personnes présentes l'endroit où elles doivent se tenir lorsque la machine est en marche.
- A FAIRE** Établir un programme de formation pour tous les opérateurs de cette machine.
- A FAIRE** Demander aux personnes qui ne sont pas indispensables de s'éloigner du chantier. Ne jamais autoriser qui que ce soit à se tenir devant ou derrière le disque lors du fonctionnement du moteur.
- A FAIRE** Vérifier que le disque ne touche rien avant de faire démarrer le moteur.
- A FAIRE** Rester prudent lors du levage et du transport de cette machine.
- A FAIRE** Toujours bien arrimer le bouchon du réservoir avant de la transporter.
- A FAIRE** Faire preuve de prudence et suivre les instructions pour mettre en place et transporter la machine.
- A FAIRE** Toutes les opérations d'entretien/réparation doivent être effectuées par un personnel compétent.
- A FAIRE** Vérifier que le trou de mandrin du disque correspond à la broche de la machine avant de monter le disque.
- A FAIRE** Toujours vérifier l'absence de dangers enterrés, tels que conduites de gaz ou d'électricité, avant le sciage. Toujours consulter les compagnies de service public locales avant de travailler dans une zone non connue.
- A FAIRE** Éloigner la machine d'au moins 3 mètres du lieu où est effectué le plein de carburant avant **de faire démarrer** le moteur et vérifier que le bouchon du réservoir est bien refermé et serré.
- A FAIRE** Soulever la machine uniquement par les points de levage indiqués.
- A FAIRE** Nettoyer la machine après chaque journée d'utilisation.
- A FAIRE** Utiliser la taille de flasque de disque spécifiée pour chaque taille de disque. Ne jamais utiliser de flasques de disque endommagés ou usés.
- A FAIRE** Manipuler le carburant avec précaution.
- A FAIRE** Scier uniquement en ligne droite et pas plus profondément qu'il n'est nécessaire pour le travail.

INSTRUCTIONS DE SÉCURITÉ

SÉCURITÉ D'ABORD !



CONSIGNES DE SÉCURITÉ A FAIRE ET À NE PAS FAIRE



AVERTISSEMENT : LE NON-RESPECT DE CES CONSIGNES DE SÉCURITÉ ET DES INSTRUCTIONS D'UTILISATION RISQUE D'ENTRAÎNER DES BLESSURES GRAVES OU MORTELLES.

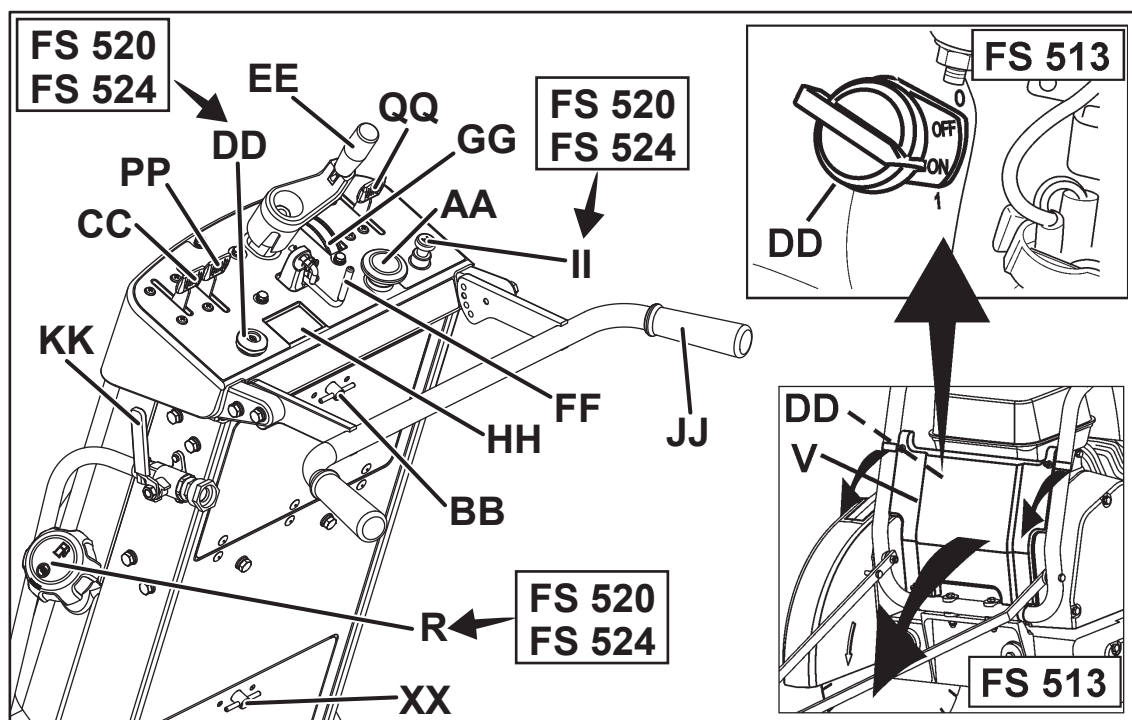
A NE PAS FAIRE

- NE PAS** utiliser cette machine avant d'avoir lu le manuel d'utilisation et compris ses instructions.
- NE PAS** utiliser cette machine si la protection de disque et les autres dispositifs de protection ne sont pas en place.
- NE PAS** se tenir derrière ni devant le disque durant la marche du moteur.
- NE PAS** laisser cette machine sans surveillance avec le moteur en marche.
- NE PAS** travailler sur cette machine avec le moteur en marche.
- NE PAS** utiliser cette machine alors qu'on est fatigué ou sous l'influence de drogues ou d'alcool.
- NE PAS** utiliser de disque de sciage à l'eau sans une alimentation en eau adéquate au disque.
- NE PAS** faire tourner le disque à une vitesse supérieure à la vitesse maximum spécifiée pour chaque taille de disque. Une vitesse excessive pourrait faire casser le disque.
- NE PAS** utiliser la machine en cas de doutes sur la manière de l'utiliser.
- NE PAS** utiliser de matériel ni de disques endommagés.
- NE PAS** toucher ni essayer d'arrêter un disque en mouvement avec la main.
- NE PAS** enrayer, coincer, bloquer ni tordre le disque dans une entaille.
- NE PAS** transporter une scie lorsque le disque y est monté.
- NE PAS** utiliser un disque qui est tombé ou a été endommagé.
- NE PAS** utiliser de disques à pointes en carbure.
- NE PAS** toucher un disque diamanté de sciage à sec immédiatement après son utilisation. Ces disques mettent plusieurs minutes à refroidir après chaque sciage.
- NE PAS** utiliser de flasques de disque endommagés ou usés.
- NE PAS** autoriser d'autres personnes à se tenir près de la machine lors du démarrage, du plein de carburant ni de son fonctionnement.
- NE PAS** utiliser cette machine dans un endroit clos. L'inhalation de gaz d'échappement toxiques pourrait provoquer la mort.
- NE PAS** utiliser cette machine à proximité de matières inflammables. Des étincelles pourraient provoquer un feu ou une explosion.
- NE PAS** laisser le disque exposé hors de la protection sur plus de 180 degrés.
- NE PAS** utiliser cette machine lorsque les protège-courroies ou le protège-disque sont enlevés.
- NE PAS** utiliser cette machine si l'on n'a pas été spécialement formé pour son utilisation.
- NE PAS** utiliser un disque qui a surchauffé (âme de couleur bleuâtre).
- NE PAS** coincer de matériaux dans le disque.
- NE PAS** meuler sur le côté du disque.
- NE PAS** remorquer cette machine derrière un véhicule.
- NE PAS** utiliser cette machine lorsque des protections ou carters sont enlevés.
- NE PAS** effectuer d'entaille de plus de 2,5 cm de profondeur par passe avec un disque de sciage à sec. Procéder par étapes pour effectuer des entailles plus profondes.
- NE PAS** utiliser cette machine alors qu'on est sous l'influence de drogues ou d'alcool.

Cette scie a été conçue uniquement pour certaines applications. **NE PAS** la modifier ni l'utiliser dans une application pour laquelle elle n'a pas été conçue. Pour toute question relative aux applications, **NE PAS** utiliser la scie avant d'avoir écrit à Husqvarna Construction Products et obtenu notre avis.

Husqvarna Construction Products North America
17400 West 119th Street, Olathe, Kansas 66061 ÉTATS-UNIS

IDENTIFICATION DES PIÈCES



W. Protège-axe : Protège le flasque intérieur (I). Se pose toujours du côté du châssis opposé au protège-disque (C).

X. Graisseur de commande de profondeur : Non représenté. Voir la section Entretien de ce document.

Y. Bride de fixation du protège-disque : Tient le protège-disque (C) en place.

Z. Jauge d'huile du moteur : Sert à contrôler le niveau d'huile du moteur (non représentée - voir la section Utilisation de ce document).

AA. Arrêt de la machine : Enfoncer l'interrupteur pour ARRÊTER le moteur en cas d'urgence. Se réarme en tirant le bouton vers l'extérieur (vers le haut) pour permettre le redémarrage de la machine.

BB. Compartiment à outils : Contient le manuel d'utilisation, la liste des pièces détachées et deux clés (T et U) (13 mm et 27 mm). S'ouvre en tournant le bouton de 180 degrés. Toujours remettre le manuel d'utilisation à cet endroit pour consultation ultérieure.

CC. Accélérateur du moteur : Commande le régime moteur (tr/min). Pousser la manette vers l'avant pour augmenter le régime du moteur. La tirer vers soi pour le réduire. Le sciage se fait toujours au régime moteur maximum.

DD. Contacteur de démarrage du moteur :

FS 513 : Situé sur le moteur, derrière le cache avant (V). Doit être en position de MARCHE (1) pour démarrer le moteur. S'utilise pour mettre le moteur à l'ARRÊT (0) dans les situations normales.

FS 520 et FS 524 (démarrage électrique) : Commutateur à clé sur le côté inférieur gauche du pupitre. Tourner la clé dans le sens des aiguilles d'une montre pour démarrer le moteur.

EE. Commande de profondeur de disque : Tourner dans le sens des aiguilles d'une montre pour abaisser le disque diamanté (H) et dans le sens inverse pour le relever.

FF. Butée de profondeur du disque : Permet de verrouiller la commande de profondeur de disque (EE) dans sa position. Tirer la butée de profondeur de disque vers l'arrière de la machine et la tourner de 90 degrés pour la verrouiller en position ouverte.

GG. Indicateur de profondeur du disque : Indique la profondeur de coupe du disque diamanté (H) en centimètres (couleur orange) et en pouces (couleur blanche). Utilisation : Le moteur étant à l'ARRÊT (0), abaisser le disque diamanté (H) jusqu'à toucher la surface à couper. Tourner l'indicateur de profondeur de disque de manière à aligner le « 0 » avec les flèches. Relever le disque. Lorsque le disque est abaissé durant le sciage, la profondeur de coupe en cours est indiquée.

HH. Tachymètre du moteur (tr/min) : Affiche le régime du moteur en tours par minute lorsque le moteur est en marche. Affiche la durée d'utilisation totale lorsque le moteur est à l'arrêt (0). La durée d'utilisation totale est indiquée en minutes de 0 à 59 minutes, puis en heures au-delà de 60 minutes.

II. Le volet de départ : Si le moteur est froid, utilisez le starter. Tirez le bouton vers le haut pour enclencher le starter. Poussez-le vers le bas pour désenclencher le starter après le démarrage du moteur. Veuillez vous référer au manuel d'utilisation du moteur pour de plus amples informations.

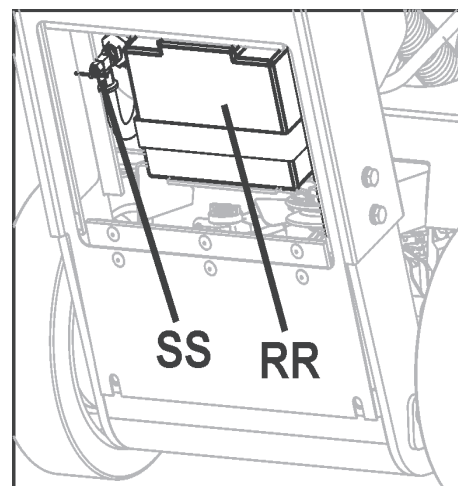
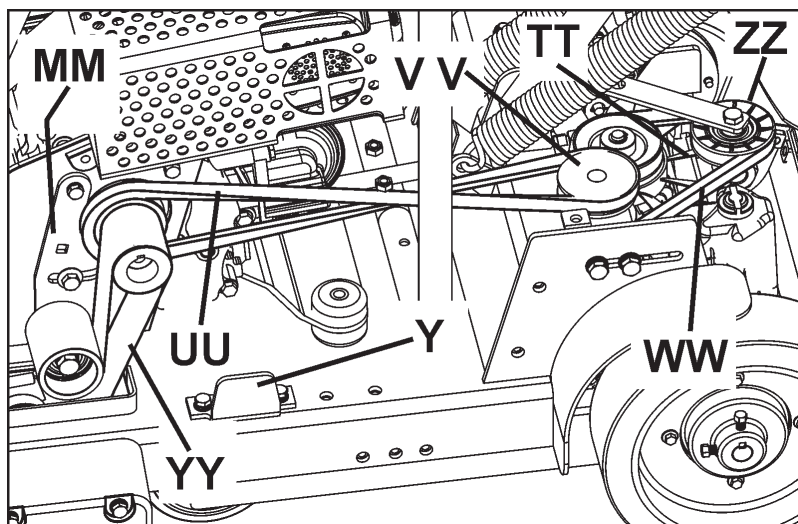
JJ. Guidon : L'opérateur se place derrière la machine avec les deux mains sur le guidon. Le guidon peut être réglé dans diverses positions.

KK1. Robinet d'eau : Commande le débit d'eau vers le disque. Placé sur le côté gauche de la machine, près du guidon arrière (JJ). Ne s'utilise pas avec le réservoir d'eau (le cas échéant).

KK2. Robinet d'eau du protège-disque : Commande le débit d'eau vers le disque. Placé sur le protège-disque. S'utilise avec le réservoir d'eau (le cas échéant).

LL. Protège-courroie (non représenté) : Couvre la courroie d'entraînement du moteur.

IDENTIFICATION DES PIÈCES



MM. Tendeur de courroie : Sert à maintenir la tension de la courroie d'entraînement de l'axe de disque.

NN. Flexible de vidange d'huile : S'utilise pour vider l'huile du moteur.

OO. Frein de stationnement (modèles UE) : Sert à immobiliser la machine en position de stationnement. Le moteur étant à l'ARRÊT (0), appliquer le frein en plaçant le levier d'engagement de transmission (PP) en position « Engagé ». Ramener le levier en position débrayée avant de démarrer le moteur !

PP. Levier d'engagement de transmission : DOIT ÊTRE en position arrière (débrayé) pour démarrer le moteur sur FS 520 et FS 524 (démarrage au point mort). Pousser vers l'avant pour engager la transmission. Tirer vers l'arrière pour débrayer la transmission. Lorsque la transmission est débrayée, la machine peut être déplacée avec le moteur à l'ARRÊT (0). Voir également « OO. Frein de stationnement ».

QQ. Levier de vitesse de déplacement : Commande la vitesse et le sens (avant ou arrière) d'avance de la machine. Pousser le levier vers l'avant pour avancer en marche avant. Tirer le levier vers l'arrière pour la marche arrière. Ce levier DOIT être près de la position « STOP » avant de placer le levier d'engagement de transmission (PP) en position « Engagé ».

RR. Batterie de démarrage (FS 520, FS 524 uniquement) : Placée derrière le panneau d'accès inférieur à l'arrière de la machine. Voir les instructions de charge et d'entretien dans la section « Entretien de la batterie » de ce document.

SS. Vanne d'arrêt de carburant : Sert à couper l'arrivée de carburant vers le moteur.

FS 520 / FS 524 : Placée derrière le capot d'accès inférieur à l'arrière de la machine. Tourner dans le sens contraire des aiguilles d'une montre pour fermer.

FS 513 : Placée sur le moteur (voir le manuel d'utilisation du moteur).

TT. Transmission hydrostatique : Commande la vitesse et le sens de déplacement de la machine. Sans entretien sur toute la durée de vie de la machine.

UU. Courroie de tendeur d'entraînement de la transmission : Raccorde le moteur au tendeur de courroie de transmission (VV). Contrôler régulièrement l'état d'usure de la courroie et des poulies.

VV. Tendeur de courroie de transmission : Sert à tendre la courroie d'entraînement de la transmission (UU). Voir la section Entretien de ce manuel.

WW. Courroie de transmission hydrostatique : Entraîne la transmission hydrostatique (TT). Placée entre le tendeur de courroie de transmission (VV) à la transmission hydrostatique (TT). Voir la section Entretien de ce manuel.

XX. Panneau d'accès inférieur : Ouvrir ce panneau pour accéder à la batterie de démarrage (RR) et à la vanne d'arrêt de carburant (SS).

YY. Courroie d'entraînement d'axe de disque : Placée entre le moteur et l'axe de disque. Voir la section Entretien de ce manuel.

ZZ. Tendeur de courroie de transmission hydrostatique : Poulie folle à ressort utilisée pour tendre la courroie de transmission hydrostatique (WW). Voir la section Entretien de ce manuel.

AAA. --

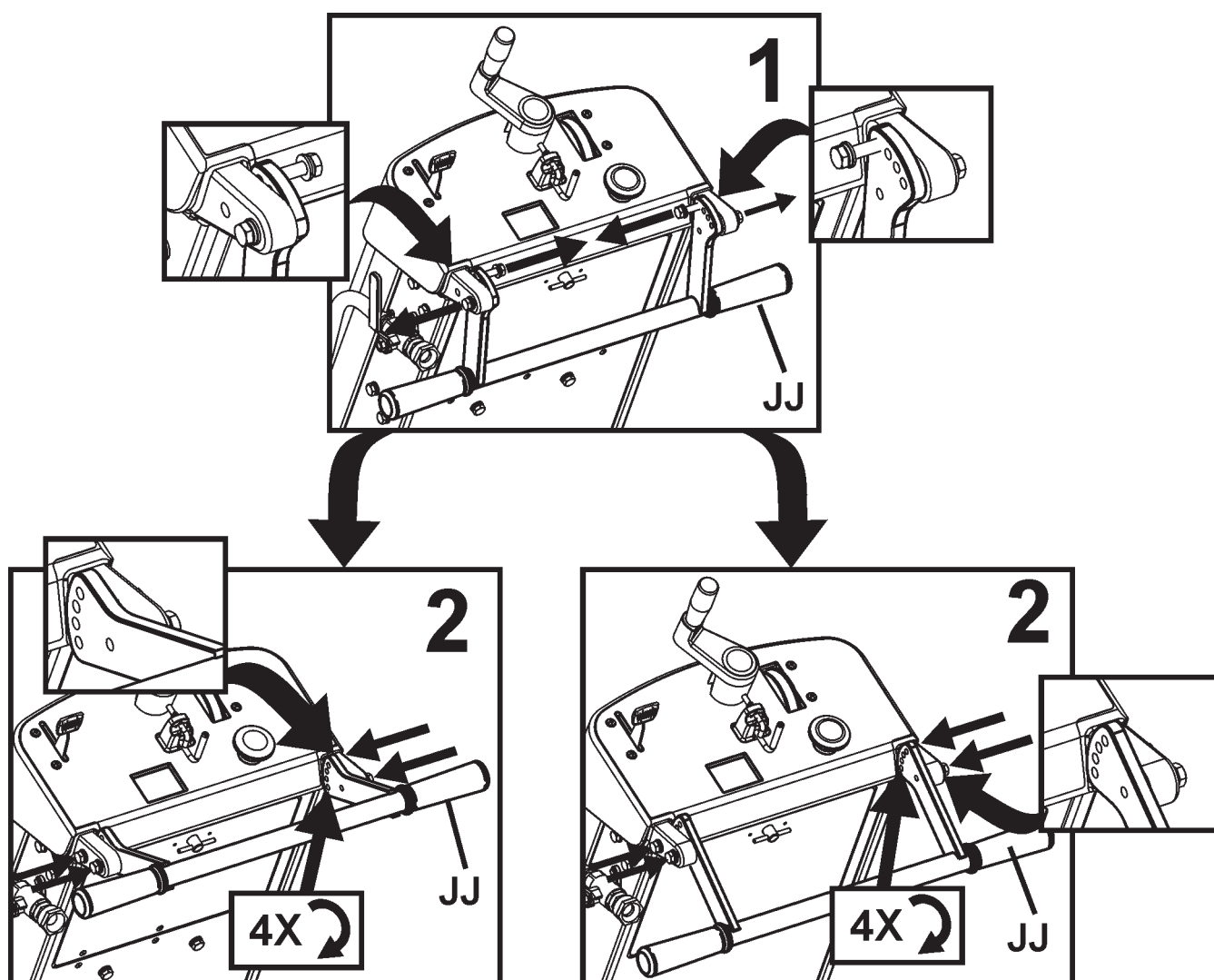
BBB. --

ASSEMBLAGE

Assembler les éléments suivants avant d'utiliser la machine pour la première fois.

Mettre le guidon (JJ) en position correcte :

Le guidon (JJ) est livré dans la position de rangement montrée sur l'illustration. Il doit être relevé pour pouvoir utiliser la machine.

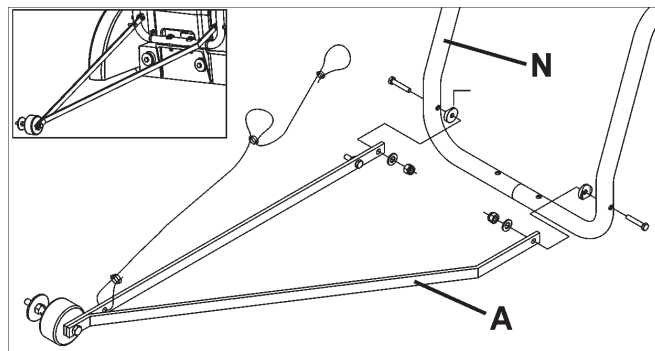


ASSEMBLAGE

Poser la flèche avant (A) :

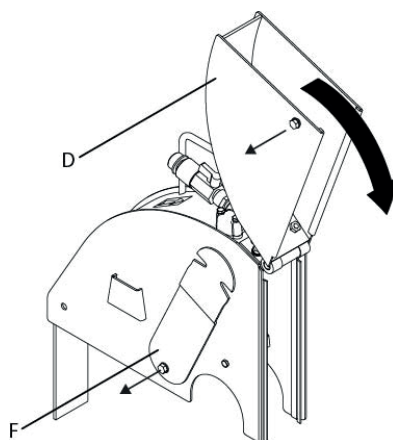
1. À l'aide des vis, rondelles et écrous fournis, poser la flèche avant (A) sur le cadre tubulaire du support de réservoir d'eau (N). Ajuster les écrous-freins de manière à permettre à la flèche (A) de pivoter librement.
2. Faire passer la corde de la flèche à l'écart des surfaces chaudes. Les deux boucles dans la corde permettent de l'attacher au guidon (JJ).

Remarque : « *Flèche simple* » (A) montrée sur l'illustration. Dans certaines régions, une « *flèche double* » est montée de série. La flèche double est disponible dans toutes les régions en tant qu'accessoire. Pour plus de renseignements, voir la section Accessoires de ce document ou la liste des pièces détachées.



Avant du protège-disque (D) :

1. À l'aide de la clé de 13 mm (U) fournie, déposer les deux (2) vis M8 situées à l'avant et sous la plaquette d'accrochage de protège-disque (F) et la vis M8 dans l'avant de protège-disque (D) [indiquées par des flèches]. Desserrer sans la déposer la vis restante sur la plaquette d'accrochage de protège-disque (F). Faire tourner la plaquette d'accrochage (F) et l'avant de protège-disque (D) vers le bas.

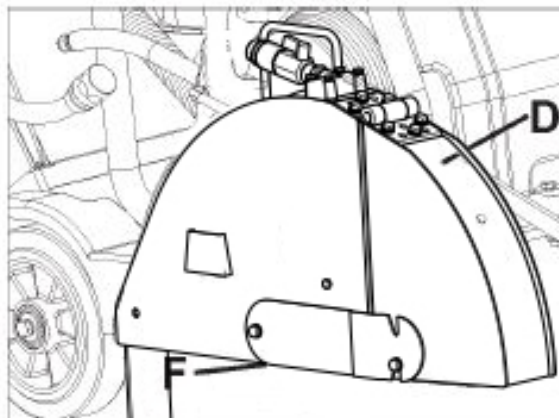


AVERTISSEMENT !

La plaquette d'accrochage de protège-disque (F) doit être en place avant utilisation. L'utilisation de la machine sans cette pièce peut produire une situation dangereuse !

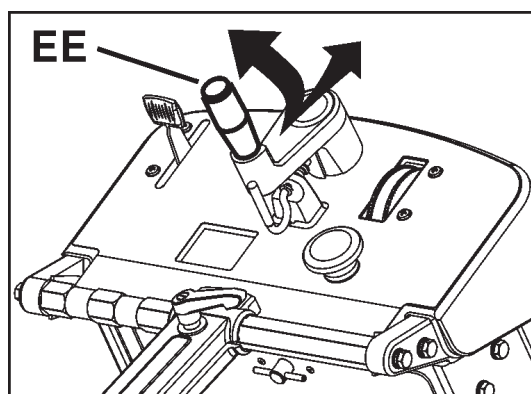
Toujours garder les protections en place durant l'utilisation de la machine !

2. Remettre les trois (3) vis M8 en place dans la plaquette d'accrochage (F) comme indiqué sur l'illustration à droite. À l'aide de la clé de 13 mm (U) (fournie), bien serrer les quatre (4) vis M8 de fixation de la plaquette d'accrochage de protège-disque (F).



Placement de la manette de commande de profondeur de disque (EE) en position correcte :

Tirer la manette de commande de profondeur de disque (EE) et la tourner de 90 degrés jusqu'à ce qu'elle s'enclenche dans la position représentée.



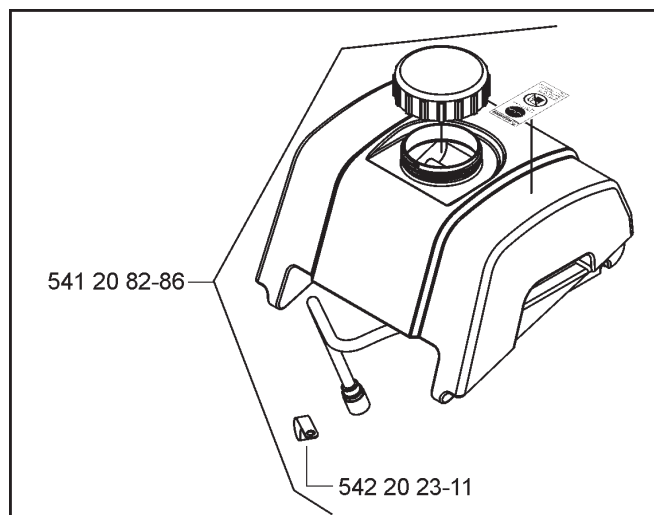
ASSEMBLAGE

Poser le réservoir d'eau (P) (le cas échéant) :

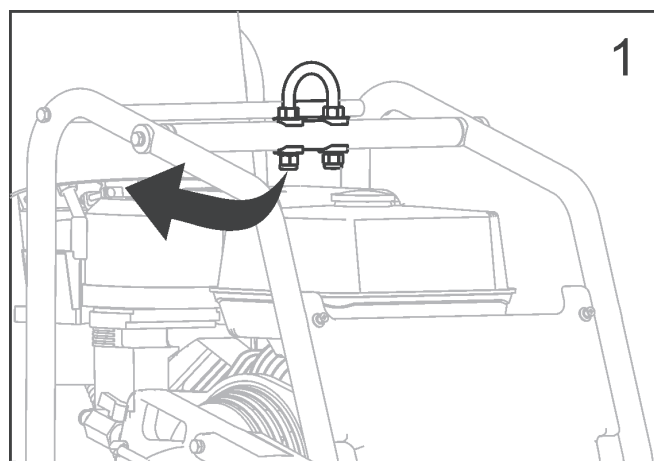
- Dans certaines régions, la machine peut être livrée avec un réservoir d'eau installé. Le réservoir d'eau est proposé sous forme de nécessaire en option dans toutes les régions.

- Si un réservoir d'eau est déjà posé sur la machine, lire ces instructions pour vérifier que la pose est correcte. Respecter tous les AVERTISSEMENTS concernant la pose et l'utilisation du réservoir d'eau.

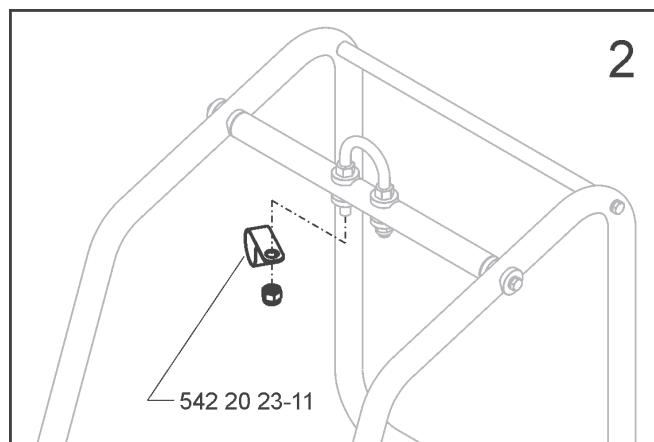
- Vérifier le contenu du nécessaire de réservoir d'eau. Voir l'illustration à droite.



1. **FS 513 uniquement** : Déposer provisoirement l'ÉCROU du côté droit de l'étrier de levage (O) (même côté de la machine que la corde de démarrage). Voir l'illustration à droite.



2. **FS 513 uniquement** : Poser le COLLIER fourni avec le réservoir d'eau (P) puis remettre l'ÉCROU en place. Voir l'illustration à droite.



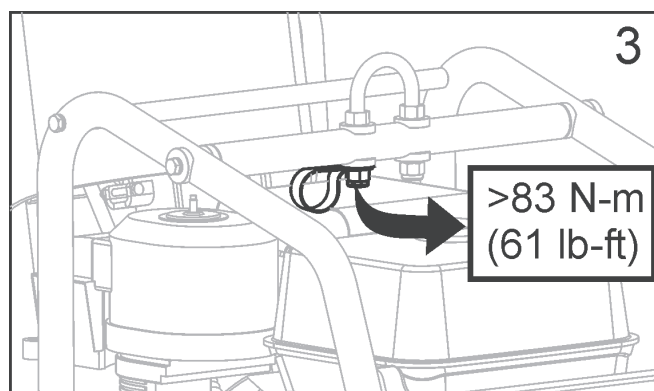
3. **FS 513 uniquement** : Serrer au couple indiqué ci-dessous et sur l'illustration à droite.

AVIS

Serrer l'ÉCROU de l'étrier de levage à 83 Nm (61 lb-ft) minimum.

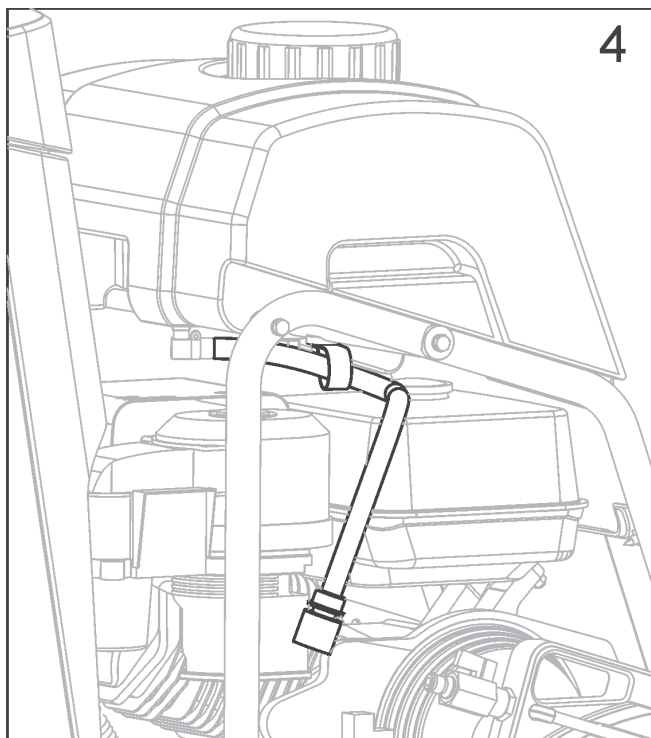
⚠ AVERTISSEMENT !

Pour écarter les risques de défaillance de l'ÉTRIER DE LEVAGE (O), serrer l'ÉCROU comme indiqué. Une défaillance de l'ÉTRIER DE LEVAGE durant le levage de la machine peut provoquer des blessures ou la mort.



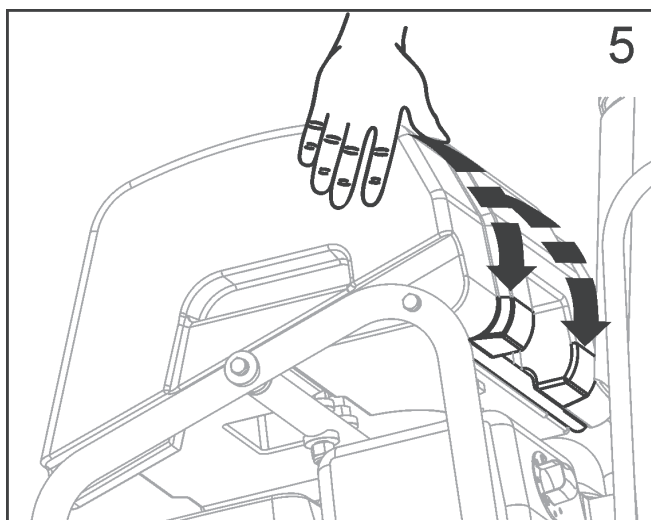
ASSEMBLAGE

4. Mettre le réservoir d'eau en place et acheminer le flexible d'eau comme sur l'illustration à droite (**FS 513**).
FS 520 / FS 524 : ne pas utiliser le collier représenté sur l'illustration.

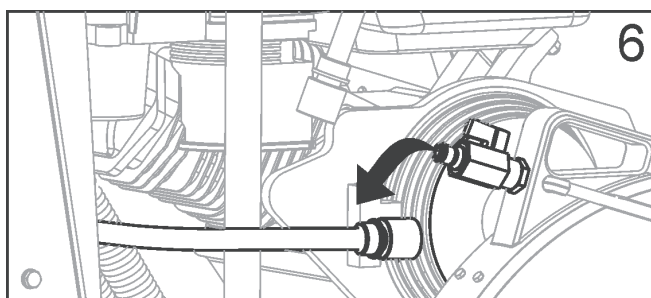


5. Aligner la barre arrière et le renforcement à l'arrière du réservoir d'eau.

- Pousser fermement le réservoir vers le bas pour l'enclencher sur la barre arrière.
- Lorsqu'il est correctement en place, le réservoir d'eau doit pivot librement sur la barre arrière.



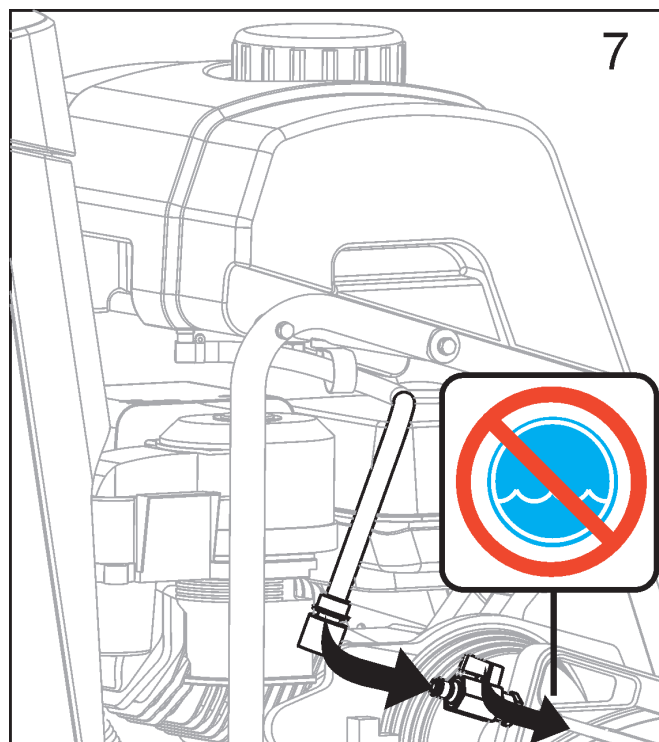
6. Débrancher le flexible d'eau existant du protège-disque. Il s'agit du flexible d'eau provenant du robinet d'eau monté sur la machine.



ASSEMBLAGE

7. Raccorder le flexible du réservoir d'eau au robinet d'eau du protège-disque.

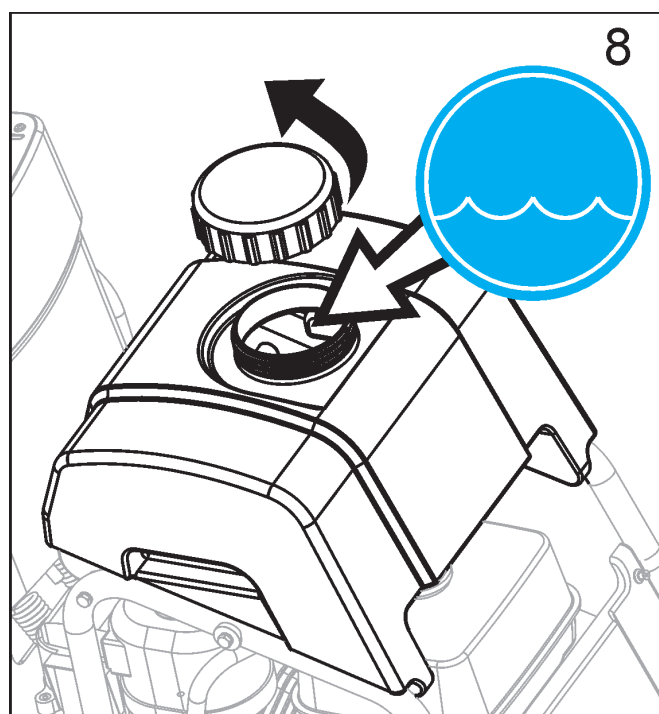
- Vérifier que le robinet d'eau du protège-disque est FERMÉ.
- Le réservoir d'eau est à présent installé sur la machine.



Remplir le réservoir d'eau :

8. Enlever le bouchon en le tournant dans le sens inverse des aiguilles d'une montre. Voir l'illustration à droite.

- Remplir le réservoir d'eau uniquement avec de l'eau. Lire tous les AVERTISSEMENTS avant d'utiliser le réservoir d'eau.
- Remettre le bouchon en place en tournant dans le sens des aiguilles d'une montre.
- Le réservoir d'eau est conçu pour supprimer la poussière de béton en suspension dans l'air et doit être utilisé uniquement avec des disques diamantés de sciage « à sec ».



AVERTISSEMENT !

NE PAS utiliser de disques diamantés classiques (humides) avec le réservoir d'eau en guise de source d'eau. Le débit d'eau n'est pas suffisant pour refroidir correctement le disque !

Remplir le réservoir d'eau uniquement avec de l'eau !!

Ne jamais remplir le réservoir d'eau (P) d'essence ou autres liquides inflammables, sous peine de risquer des blessures ou la mort !

UTILISATION

Avant utilisation

Emploi : Cette machine est uniquement destinée au sciage humide ou sec de béton et d'asphalte neufs et anciens.

! AVERTISSEMENT !

NE PAS l'utiliser pour le découpage à sec dans les pays de l'Union européenne (UE). La machine n'est pas équipée d'une prise à poussière.

Outils : Utiliser la machine exclusivement avec les outils suivants (H) : Disques diamantés refroidis à l'eau. Ne PAS utiliser de disques abrasifs renforcés ni de disques diamantés de sciage à sec dans les pays de l'Union européenne (UE) par ce que cette machine, telle qu'elle est livrée, ne comporte pas de prise pour collecteur de poussière.

Diamètre : 300 mm (12") – 500 mm (20").

Alésage : 25,4mm (1,00").

! AVERTISSEMENT !

NE PAS utiliser de lames en carbure, pour scies à bois ou scies circulaires sur cette machine, sous peine de risquer des blessures ou la mort.

Déplacement du protège-disque (C) - Si nécessaire :

Le protège-disque (C) est monté d'usine sur le côté droit de la machine, mais peut être placé sur le côté gauche. Ceci peut permettre de découper plus près de certains obstacles lorsqu'il n'est pas possible de les approcher depuis la direction opposée.

1. À l'aide de la clé de 13 mm (U), déposer le boulon arrière (E) du protège-disque (C).
2. Pousser le collier vers l'arrière pour détacher le raccord de flexible d'eau (G). La partie mâle reste sur le protège-disque (C). La partie femelle reste sur le réservoir d'eau (P) ou sur le robinet d'eau (KK).
3. Soulever le protège-disque (C) vers le haut pour le séparer de sa bride de fixation (Y).
4. À l'aide de la clé de 13 mm (U) déposer les quatre (4) vis de fixation de la plaquette d'accrochage de protège-disque (F). Rattacher la plaquette d'accrochage (F) sur le côté gauche du protège-disque (C).
5. Déposer et déplacer le protège-axe (W) du côté gauche au côté droit de la machine.
6. Abaisser le protège-disque (C) sur la bride de fixation de protège-disque (Y) du côté gauche de la machine.
7. Remettre le bouton arrière (E) en place dans le protège-disque (C).
8. Rattacher le raccord de flexible d'eau (G) du protège-disque (C) au réservoir d'eau (P) ou au robinet d'eau (K). Prendre garde à ce que le flexible ne touche pas le silencieux.
9. Déplacer et réaligner la flèche avant (A) de manière à avoir le galet guide (B) sur le côté gauche de la machine.

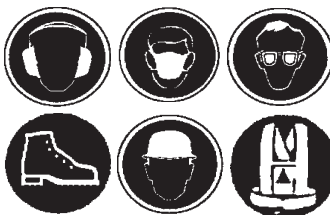
! AVERTISSEMENT !



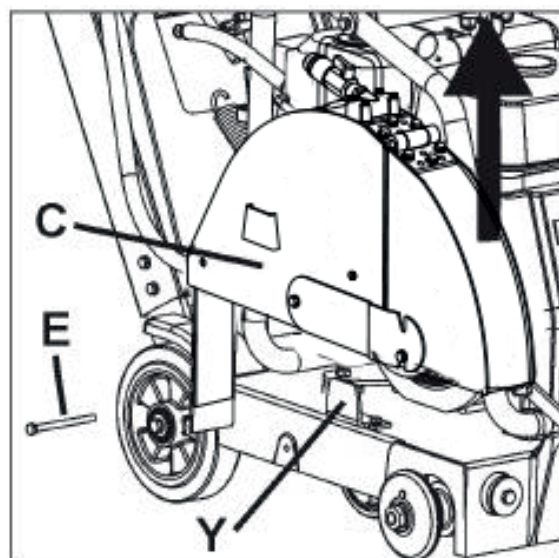
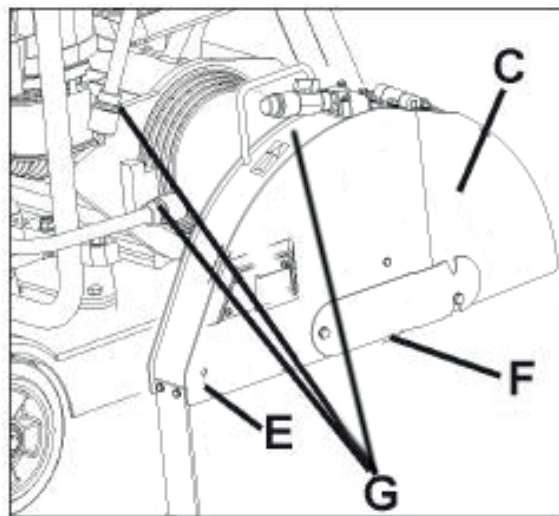
Avant d'utiliser la machine, lire et comprendre ce manuel d'utilisation en entier et le manuel d'utilisation du moteur fourni avec le moteur.



Veiller à se familiariser avec la machine avant utilisation !



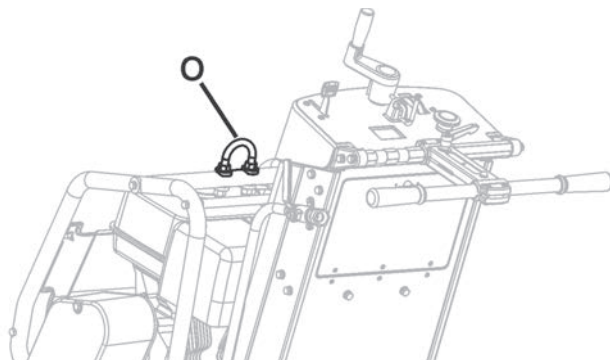
L'utilisateur doit porter un équipement de protection individuelle et des vêtements adaptés au travail à effectuer. L'équipement de protection individuelle, notamment protection des yeux et des oreilles, est obligatoire.



UTILISATION

Transport et levage de la machine :

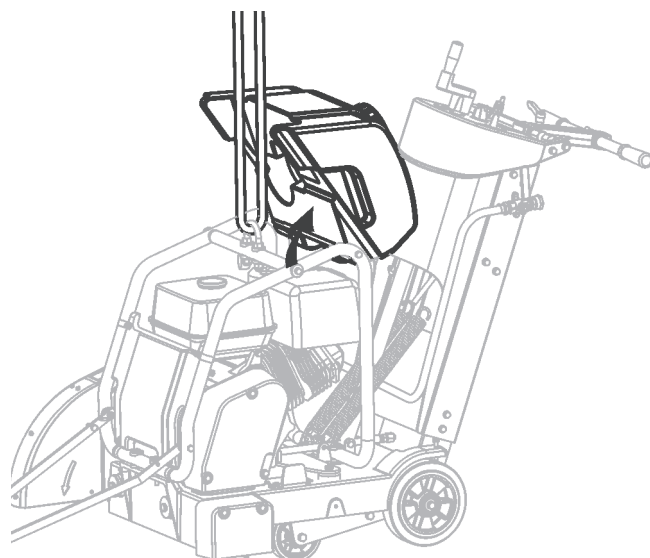
- Soulever la machine uniquement par le point de levage (O).
- Toujours déposer le disque (H) avant de lever, charger ou transporter la machine.
- Utiliser une sangle de levage d'une capacité nominale au moins égale à la masse maximale de la machine. Les masses nominale et maximale de la machine figurent dans la section DONNÉES TECHNIQUES de ce document.



Levage d'une machine équipée d'un réservoir d'eau :

- Avant de lever une machine équipée d'un réservoir d'eau :

1. Vider l'eau du réservoir.
2. Déposer le disque.
3. Abaisser la machine jusqu'à ce que le châssis soit parallèle au sol.
4. Pivoter l'avant du réservoir d'eau vers le haut jusqu'à l'appuyer contre le dessus du capot en aluminium. Ne pas appuyer le bouchon du réservoir d'eau contre l'avant du capot en plastique - ceci pourrait causer des dommages durant le levage.
5. Attacher une sangle adaptée au point de levage (O).
6. Faire un essai de levage de la machine à faible hauteur (quelques centimètres seulement) pour vérifier que le réservoir reste attaché à la machine et ne sera pas endommagé ni ne causera de dommages.
7. Si une machine équipée d'un réservoir d'eau ne peut pas être levée sans endommager le réservoir ou la machine, déposer le réservoir d'eau avant le levage.



AVIS

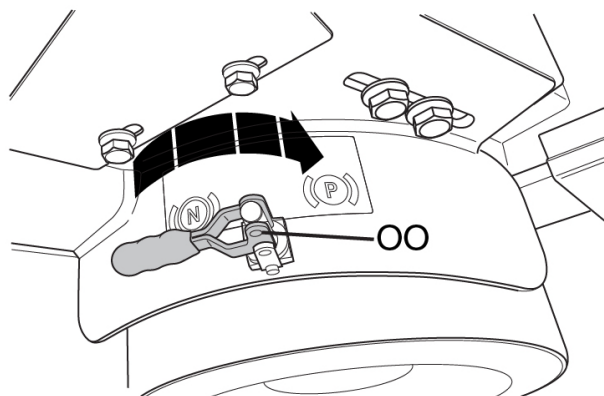
Le réservoir d'eau ou la machine peuvent être endommagés si la machine n'est pas levée comme il se doit. Observer le levage avec attention pour éviter tout dommage.

Stationner la machine :

- Dans certaines régions du monde, les machines peuvent nécessiter un frein de stationnement. Sur cette machine, le frein de stationnement s'applique au moyen du levier d'engagement de transmission (PP).
- Le frein de stationnement est conçu pour maintenir la machine immobile sur une pente de 10 degrés ou moins, l'arrière de la machine étant vers l'aval (poids maximum sur la roue freinée).

 **Frein de stationnement - engager (voir schéma)**

1. Mettre le moteur à l'ARRÊT (0)
2. Pousser le levier d'engagement de transmission (PP) vers l'avant jusqu'en position « engagé ».



UTILISATION

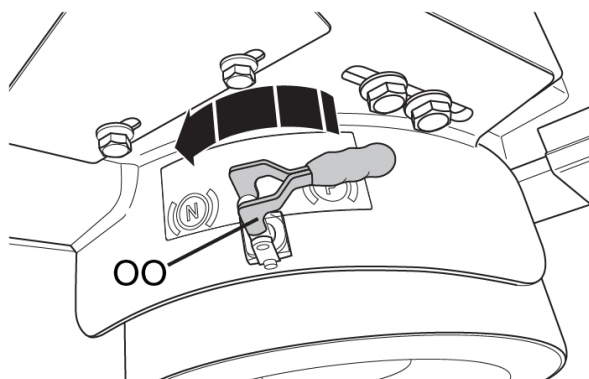


(N) Frein de stationnement - désengagé (voir schéma)

1. Tirer le levier d'engagement de transmission (PP) vers l'arrière jusqu'en position « débrayé ». Doit être complètement débrayé.
2. Le moteur peut à présent être démarré.

AVIS

Le frein de stationnement doit être libéré pour démarrer le moteur (FS 520 et FS 524). Tirer le levier d'engagement de transmission (PP) vers l'arrière jusqu'en position « débrayé ».



Modèles à moteur essence :

Voir le fonctionnement du moteur dans le manuel d'utilisation du moteur.

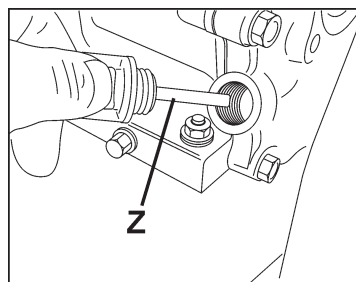
CARBURANT : L'essence sans plomb est conseillée. Pour plus de renseignements, consulter le manuel du moteur.

HUILE : À l'aide de la jauge d'huile (Z), vérifier que le niveau d'huile moteur est correct. Voir également la section Entretien de ce document ou le manuel d'utilisation du moteur.

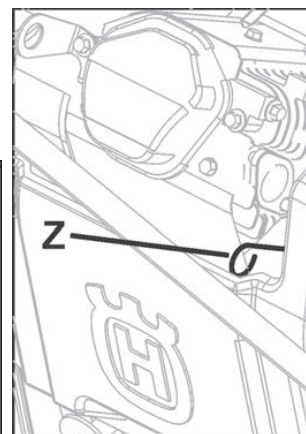
Bien que le moteur fonctionne souvent en position inclinée, vérifier le niveau d'huile avec le moteur horizontal. Contrôler souvent pour s'assurer que le niveau d'huile ne passe jamais en dessous du repère inférieur sur la jauge d'huile. L'huile 10W30 est conseillée. Pour plus de renseignements, consulter le manuel du moteur.

AVIS

Si le moteur est équipé d'un système d'arrêt du moteur pour bas niveau d'huile, le moteur ne démarre pas lorsque le niveau d'huile est insuffisant. Le moteur peut également s'arrêter si l'inclinaison d'utilisation maximum est dépassée. Voir le manuel d'utilisation du moteur.



FS 513



FS 520, FS 524

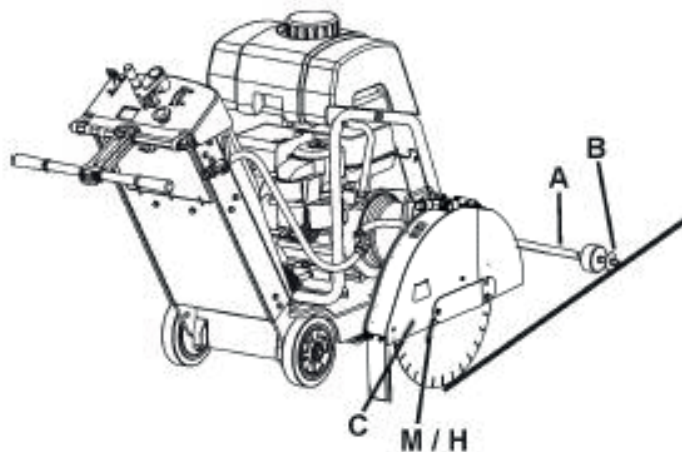
Tous modèles :

Vérifier l'alignement de la flèche avant (A) avec le disque. Placer une règle contre le flasque intérieur (I). Aligner la flèche avant (A) sur la règle. Le cas échéant, ajuster la flèche avant (A) en desserrant les écrous de fixation du galet guide (B). Aligner le galet guide (B) sur la règle et resserrer les écrous.

Vérifier que la tubulure d'eau dans le protège-disque (C) est ouverte et que chaque côté du disque reçoit suffisamment d'eau.

Contrôler la pression et le volume (débit) de l'alimentation en eau avant de démarrer la machine.

Ne pas scier plus profondément qu'il n'est nécessaire pour le travail. Un sciage plus profond que nécessaire ajoute à l'usure du disque et de la machine.



UTILISATION

Scier par passes successives de 50 mm de profond jusqu'à atteindre la profondeur de sciage spécifiée. Ceci est le « sciage par degrés ».

Scier uniquement en ligne droite. Tracer clairement la ligne de coupe afin que l'opérateur de la machine puisse la suivre sans difficulté. NE PAS dévier la machine d'un côté à l'autre pour forcer le réalignement du disque.

Pose du disque diamanté (H) :



Le disque diamanté (H) se met en place sur le chantier. Ne pas transporter la machine avec le disque diamanté (H) en place.



AVERTISSEMENT! Ne transportez jamais la machine hors de la zone de coupe avec le moteur en marche et une lame installée.

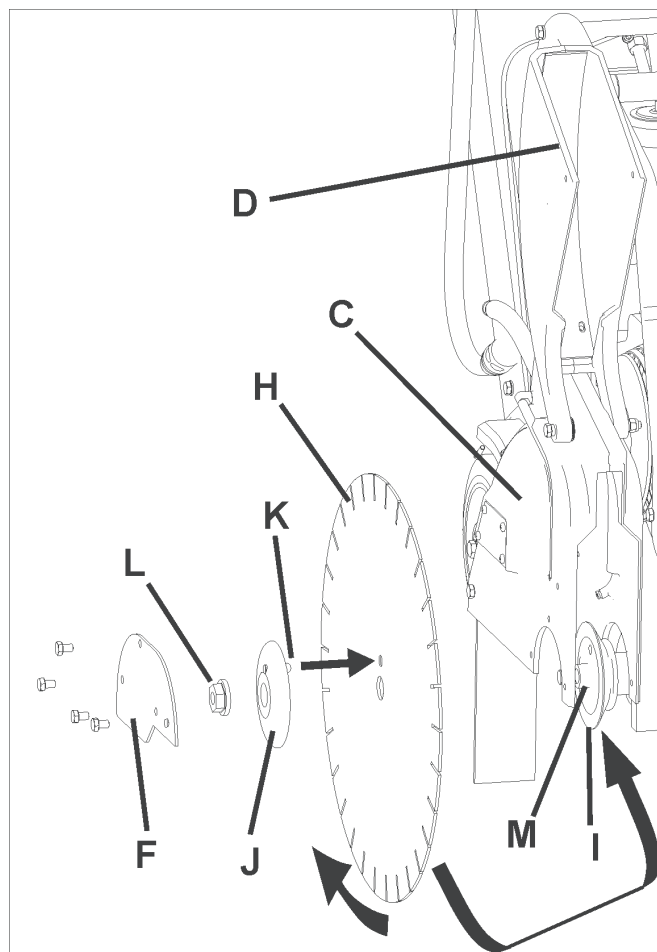
1. Ouvrir le cache avant (V).
2. Mettre le contacteur de démarrage du moteur (DD) en position d'ARRÊT (0).
3. Relever le disque diamanté (H) jusqu'à sa position la plus haute en tournant la commande de profondeur de disque (EE) dans le sens des aiguilles d'une montre.
4. À l'aide de la clé de 13 mm (U) rangée dans le compartiment à outils (BB), desserrer et déposer les quatre (4) boulons de fixation de la plaquette d'accrochage de protège-disque (F). Déposer provisoirement la plaquette d'accrochage de protège-disque (F).
5. Relever l'avant du protège-disque (D).
6. À l'aide de la clé d'axe de disque de 27 mm (T), desserrer et déposer l'écrou d'axe de disque (L) qui maintient le flasque extérieur (J) en place.

AVIS

L'écrou d'axe de disque (L1) sur le côté droit de la machine a un filetage à gauche. Pour desserrer, tourner dans le sens des aiguilles d'une montre.

L'écrou d'axe de disque (L2) (non représenté) sur le côté gauche de la machine a un filetage à droite. Pour desserrer, tourner dans le sens inverse des aiguilles d'une montre.

7. Déposer le flasque extérieur (J).
8. Vérifier que le mandrin d'axe de disque (M), le flasque intérieur (I) et le flasque extérieur (J) sont propres et exempts de corps étrangers.
9. Enfiler le disque diamanté (H) sur le mandrin d'axe (M). Le sens de rotation est indiqué par des flèches sur le disque diamanté (H) et l'avant de protège-disque (D). Voir l'illustration à droite.
10. Poser le flasque extérieur (J) sur le mandrin d'axe de disque (M). Vérifier que la goupille de verrouillage (K) traverse le disque diamanté (H) et s'engage dans le flasque intérieur (I).
11. Tourner le flasque extérieur (J) et le disque diamanté (H) dans le sens opposé à celui de la rotation du disque pour éliminer le jeu.
12. Poser l'écrou d'axe de disque (L). Serrer à l'aide de la clé d'axe de disque de 27 mm (T).



AVERTISSEMENT !

UTILISER UNIQUEMENT des disques (H) marqués d'une vitesse maximale d'exploitation supérieure à la vitesse de l'axe de disque.

NE PAS remplacer le disque par un modèle plus grand sans utiliser les courroies et poulies adaptées !

NE PAS utiliser la machine sans protection adaptée sur le disque diamanté (H).

NE PAS utiliser la machine avec l'avant de protège-disque (D) relevé.

La portion de disque (H) exposée NE DOIT PAS dépasser 180 degrés durant la marche de la machine.

Les surfaces de contact de l'axe de l'arbre de disque (M), de la bride intérieure (I) et de la bride extérieure (J) DOIVENT être en parfait état, propres et exemptes de tout corps étranger.

NE PAS transporter la machine avec le disque (H) en place.

NE PAS utiliser de disques diamantés (H) classiques (humides) sans eau.

LIRE les instructions d'utilisation fournies avec le disque (H).

NE PAS installer le disque (H) sauf si l'interrupteur d'alimentation est en position ARRÊT (0) et débranché de l'alimentation électrique.

UTILISATION

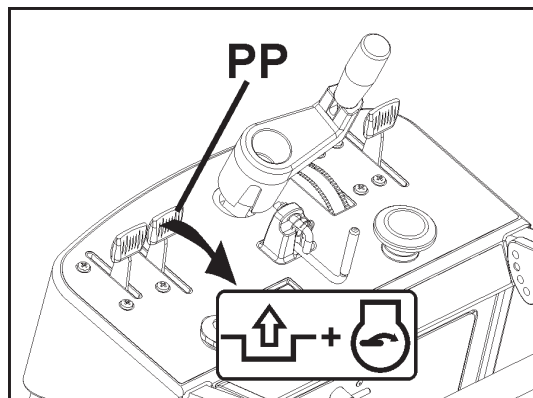
AVIS

L'écrou d'axe de disque (L1) sur le côté droit de la machine a un filetage à gauche. Pour serrer, tourner dans le sens inverse des aiguilles d'une montre. Serrer à un couple de 45 Nm (33 lb-ft) au minimum.

L'écrou d'axe de disque (L2) (non représenté) sur le côté gauche de la machine a un filetage à droite. Pour serrer, tourner dans le sens des aiguilles d'une montre. Serrer à un couple de 45 Nm (33 lb-ft) au minimum.

13. Abaisser l'avant du protège-disque (D).

14. Remonter et serrer la plaquette d'accrochage de protège-disque (F).



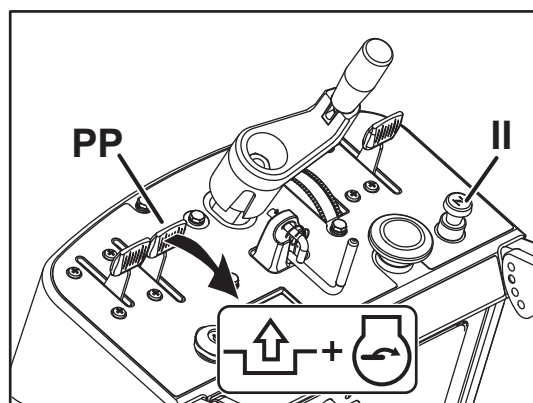
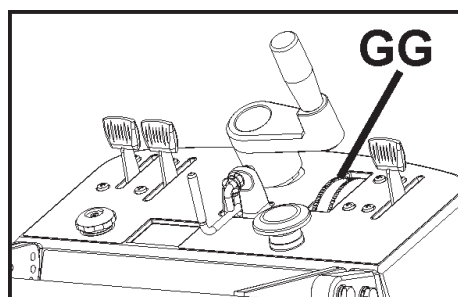
Démarrer et scier avec la machine :

- À l'aide de la commande de profondeur de disque (EE), relever le disque diamanté (H) aussi haut que possible afin de ne pas heurter le sol en manœuvrant. Tirer la butée de profondeur (FF) au besoin.
- Libérer le frein de stationnement (OO) en tirant le levier d'engagement de transmission (PP) vers l'arrière jusqu'en position « débrayé ».
- Le moteur étant à l'ARRÊT, mettre la machine en position près de la ligne de coupe.
- Abaisser la flèche avant (A) jusqu'à la surface de coupe.
- Régler l'indicateur de profondeur (GG) (emploi facultatif)

- 1) Abaisser la machine jusqu'à ce que le disque diamanté touche la surface à couper.
- 2) Régler le cadran de l'indicateur de profondeur (GG) de manière à aligner les flèches sur le zéro (0). La couleur orange correspond à la profondeur de coupe en centimètres. La couleur blanche indique la profondeur en pouces.
- 3) Relever la scie jusqu'à sa hauteur maximale. À présent, lorsque le disque diamanté (H) est abaissé, l'indicateur de profondeur (GG) affiche la profondeur de coupe.
- 4) Relever complètement le disque diamanté (H).

Démarrer la FS 513 :

- Vérifier que l'arrêt de la machine (AA) ET le contacteur de démarrage du moteur (DD) sont en position de MARCHE. L'arrêt de la machine (AA) doit être en position sortie (tiré vers l'extérieur du capot). Le contacteur de démarrage du moteur (DD) doit être en position « 1 » (MARCHE). Le levier de vitesse de déplacement (QQ) est près de la position « Stop ».
- Engager le levier de volet de départ du moteur et tirer sur le cordon de démarrage pour démarrer le moteur. Désengager le levier de volet de départ une fois que le moteur a démarré. Pour plus de renseignements, consulter le manuel du moteur.



AVIS

Le frein de stationnement doit être libéré pour démarrer le moteur (FS 520 et FS 524). Tirer le levier d'engagement de transmission (PP) vers l'arrière jusqu'en position « débrayé ».

UTILISATION

Démarrer la FS 520 / FS 524 :

- Vérifier que l'interrupteur d'arrêt de la machine (AA) est en position sortie (tiré vers l'extérieur du capot) et que le frein de stationnement (OO) est libéré [levier d'engagement de transmission (PP) tiré vers l'arrière en position « débrayé »]. Le levier de vitesse de déplacement (QQ) est près de la position « Stop ».
- Tirer le volet de départ (II) vers l'extérieur (voir le manuel d'utilisation du moteur).
- Mettre le contacteur de démarrage du moteur (DD) en position « START ».
- Démarrer le moteur. Pour plus de renseignements, consulter le manuel du moteur.

Après avoir démarré le moteur (tous modèles) :

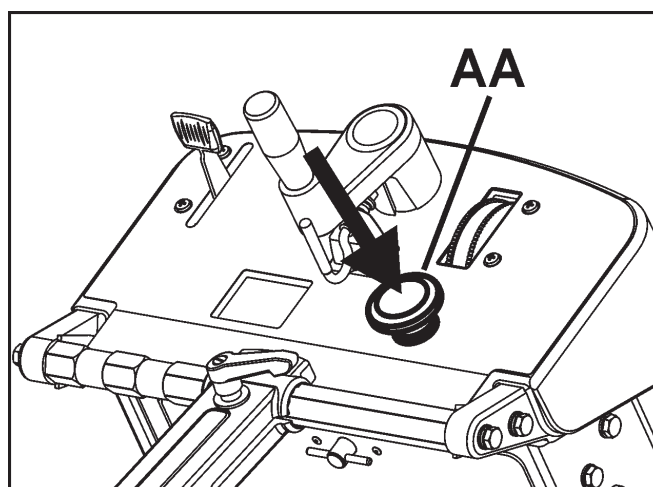
- Vérifier visuellement que la rotation de l'outil correspond au sens de la flèche figurant sur le protège-disque.
- Ouvrir le robinet d'eau (KK1) au MAXIMUM. Vérifier le débit d'eau maximum puis ajuster la quantité d'eau sur disque AVANT d'abaisser le disque.
- Effectuer l'alignement final de la scie par rapport à la ligne de coupe. Vérifier que le galet guide (B) et le disque diamanté (H) sont tous deux sur la ligne de coupe.

Si l'arrivée d'eau est interrompue, arrêter immédiatement le sciage. Le sciage sans eau peut endommager le disque diamanté (H).

- Abaisser le disque diamanté (H) dans la surface à couper en tournant lentement la commande de profondeur de disque (EE) dans le SENS INVERSE DES AIGUILLES D'UNE MONTRE.
- Lorsque la profondeur de coupe souhaitée est atteinte, enfoncer la Butée de profondeur du disque (FF) pour l'engager dans la commande de profondeur de disque (EE) (facultatif).
- Vérifier que le levier de vitesse de déplacement (QQ) est près de la position « Stop », puis pousser le levier d'engagement de transmission (PP) vers l'avant jusqu'en position « engagé ».
- Pousser le levier de vitesse (QQ) vers l'avant jusqu'à obtenir la vitesse de déplacement souhaitée. Observer le disque diamanté (H) et le galet guide (B) avec attention pour maintenir la machine sur la ligne de coupe et s'assurer que le disque (H) ne s'élève pas hors de la trajectoire de coupe. Ramener le levier de vitesse de déplacement (QQ) vers l'arrière jusqu'à l'arrêt du déplacement.
- Dégager la butée de profondeur du disque (FF).
- Relever le disque diamanté (H) hors du trait de sciage en tournant lentement la commande de profondeur de disque (EE) dans le SENS DES AIGUILLES D'UNE MONTRE.
- Fermer le robinet d'eau (KK).

AVIS

Si une situation d'urgence se produit durant le sciage, ARRÊTER immédiatement la machine à l'aide de l'interrupteur d'arrêt de la machine (AA).



STOP

Pour arrêter la machine, appuyez sur le bouton D'ARRÊT DE LA MACHINE (AA).

UTILISATION

• Tirer le levier d'engagement de transmission (PP) vers l'arrière jusqu'en position « débrayé ».

• Couper le moteur en mettant le contacteur de démarrage du moteur (DD) en position « 0 » (ARRÊT).

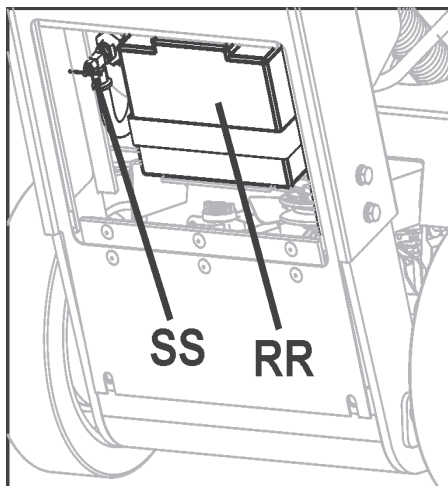
Périodes d'inactivité prolongées (deux semaines ou plus) :

FS 520 / FS 524 : Voir Entretien de la batterie.

FS 520 / FS 524 : Vidanger le carburant du moteur :

• S'il n'est pas prévu de faire fonctionner la machine dans les deux semaines, il est préconisé de vidanger le carburant du moteur. Opérer comme suit :

1. Ouvrir le panneau d'accès de la batterie (non représenté sur l'illustration pour des raisons de clarté).
2. Fermer la vanne d'arrêt de carburant (SS). Tourner dans le sens des aiguilles d'une montre pour fermer.
3. Déposer le disque et faire éloigner toute personne non associée à cette opération.
4. Démarrer le moteur et le faire tourner à plein régime jusqu'à ce qu'il s'arrête par manque de carburant.



AVIS

La présence de carburant dans le moteur pendant des périodes d'inutilisation prolongées peut causer le calmatage du carburateur. Ceci peut alors nécessiter un entretien supplémentaire du moteur.

Vidanger le réservoir de carburant :

• S'il n'est pas prévu de faire fonctionner la machine dans les quatre semaines ou plus, il est préconisé de vidanger le carburant du réservoir. Voir les informations et les mises en garde dans le manuel d'utilisation du moteur.

AVERTISSEMENT !

L'essence est hautement inflammable et explosive et sa manipulation présente un risque de brûlure ou de blessure grave.

- Arrêter le moteur et tenir les sources de chaleur, les étincelles et les flammes à l'écart.
- Effectuer le plein à l'extérieur uniquement.
- Essuyer immédiatement les déversements accidentels.

ENTRETIEN ET LUBRIFICATION

GUIDE RAPIDE D'ENTRETIEN COURANT :

Avant toute opération d'entretien, **TOUJOURS** stationner la machine sur une surface horizontale, avec le moteur à l'ARRÊT et le contacteur du moteur en position d'ARRÊT. Laisser la machine refroidir ! Les autres opérations d'entretien et de réparations doivent être confiées à un technicien qualifié.

À FAIRE CHAQUE JOUR :

1. Vérifier le niveau d'huile moteur.
2. Vérifier que le protège-disque n'est pas endommagé.
3. Contrôler le filtre à air du moteur, le changer s'il est sale. Le faire plus souvent dans des conditions très poussiéreuses.
4. Nettoyer la machine chaque jour.

À FAIRE TOUTES LES 50 HEURES :

1. Changer l'huile moteur et le filtre à huile.
2. Nettoyer les ailettes du moteur.
3. Graisser la commande de profondeur.
4. Vérifier l'état général et l'usure des roues.
5. Vérifier la tension de la courroie d'entraînement du disque.

Changement du filtre à air du moteur (S) :

Si le moteur semble faible, dégage de la fumée noire ou tourne de façon irrégulière, il se peut que le filtre à air soit bouché. C'est pourquoi il est important de nettoyer et de remplacer le filtre à air régulièrement. Reportez-vous au manuel du moteur pour obtenir des instructions détaillées.



MISE EN GARDE !

Le filtre ne doit pas être nettoyé avec de l'air comprimé, cela risquerait d'endommager le filtre. Les filtres peuvent être aspirés à condition qu'aucun élément n'entre en contact avec leur surface pour éviter tout endommagement.

Les filtres en papier doivent être correctement mis au rebut et remplacés.

Un filtre en polyester peut être aspiré ou nettoyé à basse pression.

N'effectuez pas de nettoyage à haute pression pour éviter tout endommagement du filtre.

Un filtre endommagé doit toujours être remplacé.

Le filtre nettoyé doit être parfaitement sec avant d'être reposé dans l'équipement.

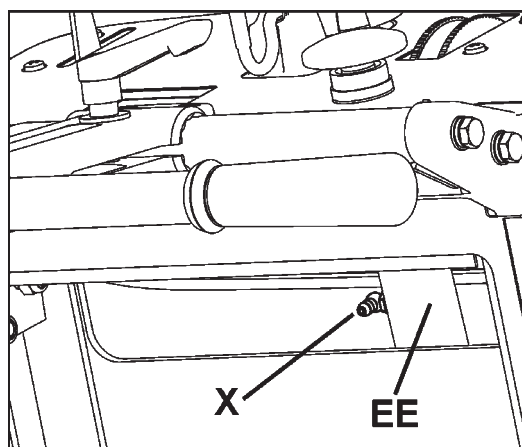
ENTRETIEN ET LUBRIFICATION

LUBRIFICATION :



Graisseur de la commande de profondeur (X) : Un graisseur est prévu pour le graissage de la vis de commande de profondeur du disque (EE). Pour accéder au graisseur :

- Relever le disque diamanté (H) jusqu'à sa hauteur maximale. Ouvrir le compartiment à outils (BB) et sortir provisoirement la pochette du manuel d'utilisation.
- Le graisseur (X) se trouve près du sommet du tube de la commande de profondeur de disque (EE).
- Pomper de la graisse dans le graisseur. Relever et abaisser le disque plusieurs fois pour faire circuler la graisse dans le tube.
- Remettre la pochette du manuel d'utilisation en place et refermer le compartiment à outils (BB).



Huile moteur :

Contrôle de l'huile moteur :

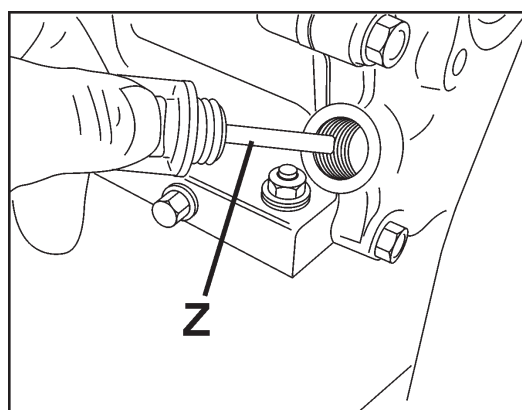


Vérifier que le niveau d'huile moteur est correct. FS 524 UNIQUEMENT : Démarrer le moteur et le laisser tourner au ralenti pendant 1 ou 2 minutes. Arrêter le moteur et attendre 2 à 3 minutes. Pour plus de renseignements, consulter le manuel du moteur.



FS 513:

La jauge d'huile moteur (Z) se trouve sur l'avant du moteur. Compléter le niveau par l'orifice de la jauge d'huile. Lors du contrôle du niveau d'huile, ne pas visser la jauge d'huile (Z). Pour plus de renseignements, consulter le manuel du moteur

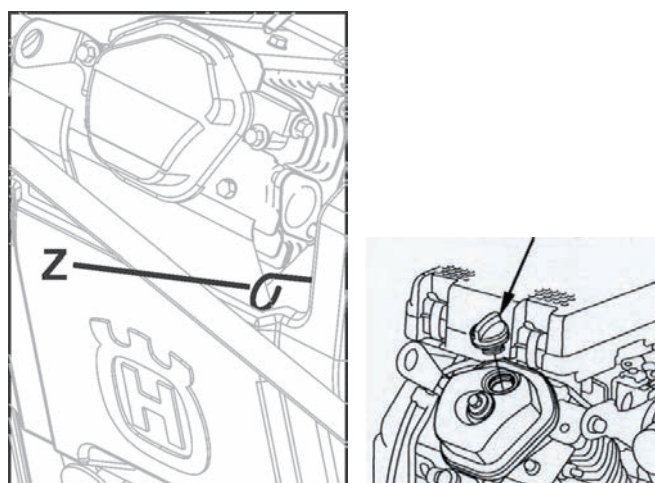


FS 513

FS 520 / FS 524:

La jauge d'huile moteur (Z) se trouve sur l'avant du moteur. Compléter le niveau par l'orifice de la jauge d'huile (voir le manuel du moteur). Introduire la jauge d'huile (Z) à fond puis l'extraire pour contrôler le niveau d'huile. Si le niveau d'huile est bas, ouvrir le capuchon de remplissage d'huile et remplir avec une huile de type recommandé jusqu'au repère de limite supérieure sur la jauge (Z). Pour plus de renseignements, consulter le manuel du moteur.

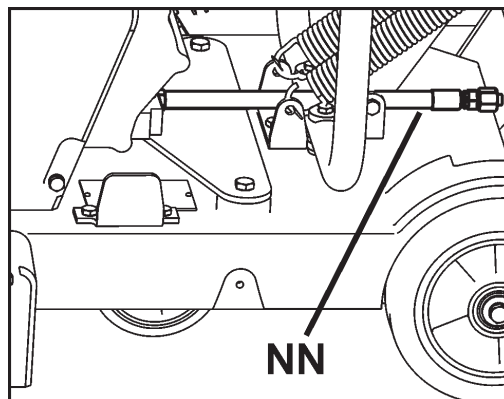
Bien que le moteur fonctionne souvent en position inclinée, vérifier le niveau d'huile avec le moteur horizontal. Contrôler souvent pour s'assurer que le niveau d'huile ne passe jamais en dessous du repère inférieur sur la jauge d'huile. L'huile 10W30 est conseillée. Pour plus de renseignements, consulter le manuel du moteur.



FS 520, FS 524

Changer l'huile moteur :

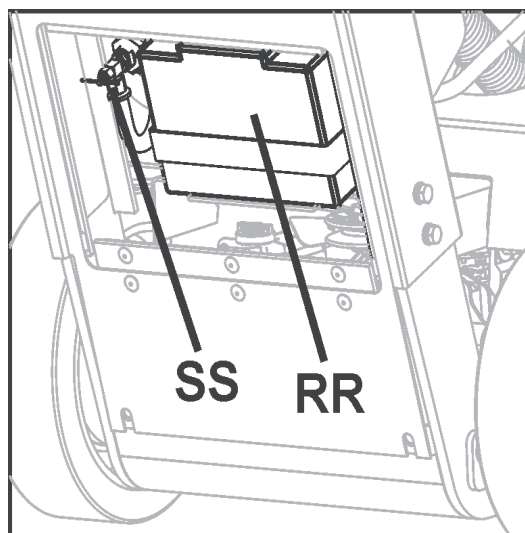
- Mettre le contacteur de démarrage du moteur (DD) en position d'ARRÊT (0). Laisser le moteur refroidir. Utiliser la commande de profondeur (EE) pour incliner la machine légèrement vers l'arrière.
- Déplacer le flexible de vidange d'huile (NN) vers le côté de la machine. Placer un récipient adapté, d'une capacité suffisante pour contenir toute l'huile du moteur, à côté de la machine pour recueillir l'huile.
- Ouvrir l'embout du flexible de vidange d'huile (NN) et laisser l'huile s'écouler dans le récipient. Une fois l'huile vidangée, reboucher le flexible de vidange, bien serrer et remettre le flexible dans sa position d'origine.
- Remplir le moteur avec la quantité d'huile préconisée - voir les détails dans le manuel du moteur.
- Éliminer l'huile usagée de façon écologiquement acceptable.



Entretien de la batterie (FS 520 / FS 524) :

La batterie de démarrage du moteur (RR) est de type étanche et ne nécessite jamais d'ajout d'eau. Garder le dessus de la batterie et les branchements des câbles propres et sans corrosion. Enduire les branchements d'une graisse haute température ou de vaseline. Contrôler régulièrement la tension de batterie avec un voltmètre continu. La tension d'une batterie complètement chargée est 12,8 V. Il est conseillé d'effectuer la mesure de tension et la charge de la batterie au niveau des câbles de batterie sur le démarreur de moteur à l'avant de la machine.

Charger la batterie au minimum une fois par mois. Pour charger la batterie, faire tourner le moteur pendant 30 minutes au moins ou raccorder un chargeur d'entretien (2 A ou moins) pendant 8 heures. Si la batterie ne parvient pas à démarrer le moteur, il est conseillé de la changer ou de la charger à l'aide d'un chargeur d'entretien (2 A ou moins).



AVIS

La tension d'une batterie complètement chargée est 12,8 V.

Il est déconseillé de démarrer le moteur par raccordement provisoire d'une batterie plus grosse ou d'un chargeur d'appoint. Ceci peut causer des dommages permanents de la batterie interne.

ENTRETIEN ET LUBRIFICATION

FS 513:

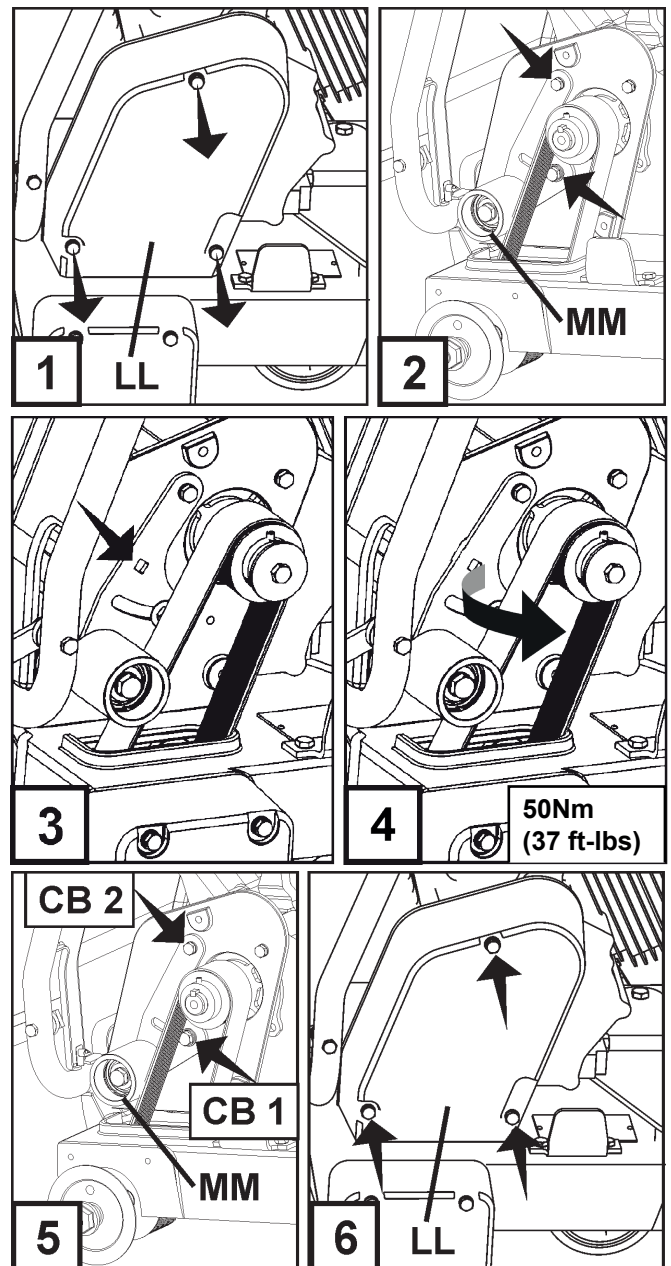
Tension de la courroie d'entraînement de l'axe de disque : La courroie d'entraînement doit être retendue au bout des quelques premières heures de marche. Le tendeur de courroie (MM) maintient la tension de la courroie d'entraînement.

Outillage nécessaire :

1. À l'aide de la clé de 13 mm (U), déposer les trois (3) boulons M8 de fixation du protège-courroie (LL). Déposer le protège-courroie (LL).
2. À l'aide des clés de 13 mm et de 14 mm, desserrer légèrement les deux (2) boulons de fixation du tendeur de courroie (MM) [boulons indiqués par les (2) flèches].
3. Poser la clé dynamométrique sur l'orifice carré du tendeur de courroie (MM).
4. Appliquer un couple au tendeur (MM) de manière à pousser le tendeur (MM) contre la courroie trapézoïdale. Serrer au couple indiqué à la figure 4.
5. Serrer le boulon central (CB1) pour immobiliser le tendeur de courroie (MM), puis serrer l'autre boulon (CB2).
6. Remettre le protège-courroie (LL) en place. À l'aide de la clé de 13 mm (U), serrer les trois (3) boulons M8 de fixation du protège-courroie (LL).

Vitesse du régulateur

Il est essentiel que le régulateur et la commande des gaz soient correctement réglés sur les moteurs à combustion interne. Le régime du moteur est préréglé à l'usine pour produire une vitesse de sciage correcte. Il n'est normalement PAS nécessaire de modifier ce réglage. Le vérifier à intervalles réguliers après la mise en service de la machine. Pour modifier le réglage du régulateur, se reporter au manuel du moteur.



⚠ AVERTISSEMENT !

Une vitesse excessive du disque diamanté (H) peut entraîner une rupture du disque et des blessures de l'opérateur et autres personnes présentes ! Pour assurer un réglage correct du régulateur, déterminer la bonne vitesse de l'axe de disque (en tr/min) à l'aide de la table ci-contre. Suivre les instructions de réglage du régulateur et de la commande des gaz fournies par le fabricant du moteur.

ENTRETIEN ET LUBRIFICATION

FS 520, FS524:

Tension de la courroie d'entraînement de l'axe de lame : cette machine est équipée d'un dispositif dynamique de tension de la courroie qui ne nécessite ni réglage ni maintenance.

La tension correcte est préréglée au cours du processus de montage. Toutefois, si le remplacement de la courroie ou d'autres composants est nécessaire, veuillez suivre les 6 étapes ci-dessous relatives à la procédure adéquate.

Outils nécessaires :

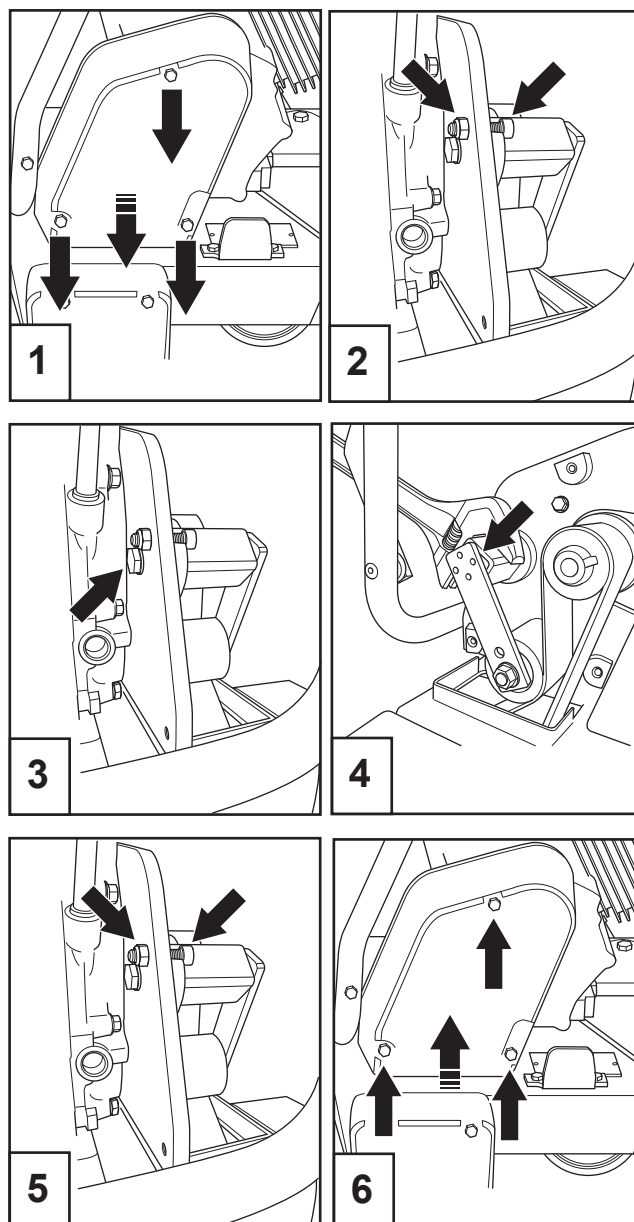
- Clé mixte de 13 mm (fournie avec la machine).
- Clé à six pans de 6 mm (non fournie avec la machine).
- Clé mixte de 19 mm (non fournie avec la machine).
- Clé à ouverture variable (non fournie avec la machine).

Pour détendre la courroie :

1. À l'aide de la clé mixte de 13 mm, déposez les trois (3) boulons M8 qui maintiennent le carter de la courroie. Retirez le carter de la courroie.
2. À l'aide de la clé mixte de 13 mm et de la clé à six pans, déposez l'écrou et la vis à tête creuse (vis de fixation).
3. À l'aide de la clé mixte de 19 mm, desserrez légèrement la vis qui maintient le dispositif de tension à la plaque.

Pour régler la tension appropriée :

4. À l'aide de la clé à ouverture variable, faites pivoter la base du dispositif de tension dans le sens inverse des aiguilles d'une montre afin de régler la tension prérequis.
Lorsque le dispositif de tension indique un angle de 30° et que la fente située sur la base du dispositif de tension est alignée avec l'orifice de la plaque : serrez la vis de fixation à l'aide de la clé mixte de 19 mm.
5. Réinstallez la vis à tête creuse et le contre-écrou en utilisant la clé à six pans et la clé mixte de 13 mm.
6. Réinstallez le carter de la courroie. À l'aide de la clé mixte de 13 mm, serrez les trois (3) boulons M8 qui maintiennent le carter de la courroie.



ENTRETIEN ET LUBRIFICATION

Transmission hydrostatique :

Entretien de la transmission hydrostatique (TT) :

Sans entretien sur toute la durée de vie de la machine.

Courroies d'entraînement de la transmission :

Déposer les capots comme sur l'illustration à droite pour accéder aux courroies de transmission.

• Courroie de tendeur d'entraînement de la transmission (UU) :

Tension de courroie :

1. Contrôler la tension lorsque la machine est neuve.
2. Recontrôler la tension au bout de 1 à 2 heures de marche et retendre à la tension d'origine - voir les étapes 3 à 5 ci-dessous.
3. Desserrer les boulons de fixation du tendeur de courroie de transmission (VV).
4. Déplacer le tendeur (VV) vers l'arrière de la machine pour augmenter la tension.
5. Resserrer les boulons.

Usure de la courroie et des poulies :

Contrôler l'état d'usure de la courroie et des poulies toutes les 50 heures. Les changer si elles sont usées.

• Courroie de transmission hydrostatatique (WW) :

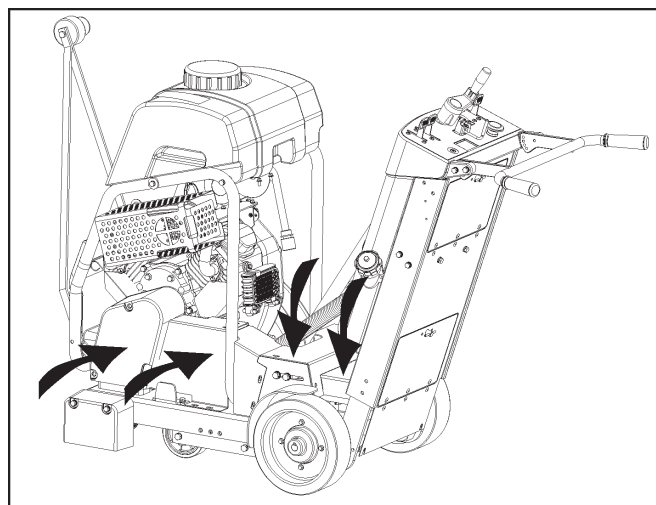
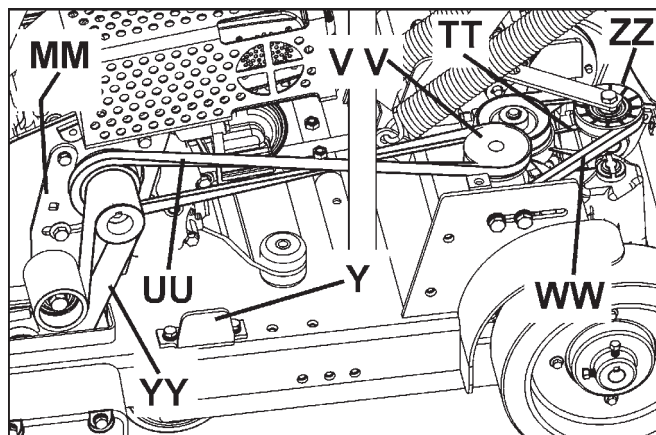
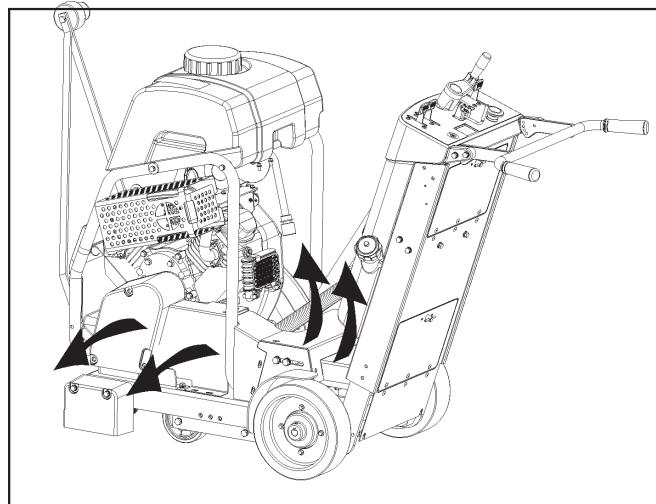
Tension de courroie :

Il n'est pas nécessaire de contrôler la tension. Le tendeur de courroie de transmission hydrostatatique (ZZ) est une poulie folle à ressort de tension. Contrôler l'état ou l'usure du ressort tendeur et le changer si nécessaire.

Usure de la courroie et des poulies :

Contrôler l'état d'usure de la courroie et des poulies toutes les 50 heures. Les changer si elles sont usées.

Remettre les capots en place comme sur l'illustration à droite avant de démarrer le moteur.



GUIDE DE DÉPANNAGE

Le moteur ne démarre pas :	
Cause	Action
Commutateurs électriques pas dans la bonne position.	Vérifier que l'interrupteur d'arrêt la machine (AA) ET le contacteur de démarrage (DD) sont TOUS DEUX en position de MARCHE. L'interrupteur d'arrêt la machine (AA) doit être tiré vers l'extérieur du capot et le contacteur de démarrage (DD) en position « 1 » (MARCHE).
Le robinet de carburant est fermé.	Ouvrir le robinet de carburant.
Volet de départ ouvert.	Fermer le volet départ (starter) si le moteur est froid.
Réservoir de carburant vide.	Faire le plein de carburant.
Contamination ou glace dans le circuit d'essence.	Nettoyer le réservoir, les conduites de carburant et le carburateur. Remplir de carburant propre.
Électrodes de bougies encrassées.	Nettoyer et contrôler l'écartement des électrodes.
Le moteur manque de puissance ou ne tourne pas régulièrement. Filtre à air encrassé.	Nettoyer ou changer le filtre à air.

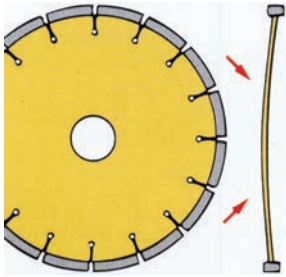
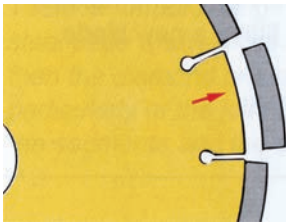
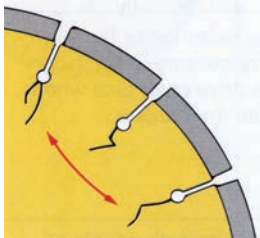


Dépannage du disque diamanté :	
Problème	Cause et action
<p>Perte de tension du disque diamanté</p> 	<p>Le disque est utilisé sur une scie mal alignée. Contrôler l'alignement de la scie.</p> <p>Le disque est trop « dur » pour le matériau scié, ce qui produit des contraintes sur l'âme de disque en acier. Vérifier que le disque convient pour le matériau scié.</p> <p>Des flasques de disque de différents diamètres ou trop petits produisent une pression inégale sur l'âme du disque. Utiliser des flasques de format correct de part et d'autre du disque. Ne jamais utiliser de flasques usés ou endommagés.</p> <p>Disque utilisé à une vitesse incorrecte (tr/min). S'assurer que l'axe de disque tourne à la vitesse correcte pour la taille du disque. Contrôler la vitesse de rotation à l'aide d'un tachymètre.</p> <p>Disque mal posé sur le mandrin. Il peut se voiler lorsque les flasques sont serrés.</p>
<p>Perte de segments</p> 	<p>Disque trop « dur » pour le matériau scié. Utiliser un disque plus « tendre ».</p> <p>Surchauffe du disque, indiquée par un « bleuissement » de l'âme. Vérifier que l'arrivée d'eau est suffisante et qu'elle n'est pas obstruée.</p> <p>La scie est déviée durant le sciage. Scier uniquement en ligne droite.</p> <p>L'alésage du disque est usé de façon excentrique (oval). Changer le disque et la broche usée.</p> <p>Segment heurté durant la pose ou le transport. Manipuler le disque diamanté avec précaution. Ne jamais transporter la machine avec le disque diamanté en place.</p>
<p>Âme de disque fissurée</p> 	<p>Disque trop « dur » pour le matériau scié. Utiliser un disque plus « tendre ».</p> <p>Surchauffe du disque, indiquée par un « bleuissement » de l'âme. Vérifier que l'arrivée d'eau est suffisante et qu'elle n'est pas obstruée.</p> <p>La scie est déviée durant le sciage. Scier uniquement en ligne droite.</p> <div style="border: 1px solid black; padding: 5px; margin-top: 10px;"> <p style="text-align: center;">⚠ AVERTISSEMENT !</p> <div style="display: flex; align-items: center;">  <p>NE PAS utiliser de disque diamanté endommagé ! L'utilisation de la machine avec un disque diamanté endommagé présente un danger de blessure, voire de mort !</p> </div> </div>
<p>Segments de disque fissurés</p> 	<p>Disque trop « dur » pour le matériau scié. Utiliser un disque plus « tendre ».</p> <p>Disque utilisé à une vitesse incorrecte (tr/min). S'assurer que l'axe de disque tourne à la vitesse correcte pour la taille du disque. Contrôler la vitesse de rotation à l'aide d'un tachymètre.</p>

SCHÉMA DE CÂBLAGE (FS 520, FS 524)

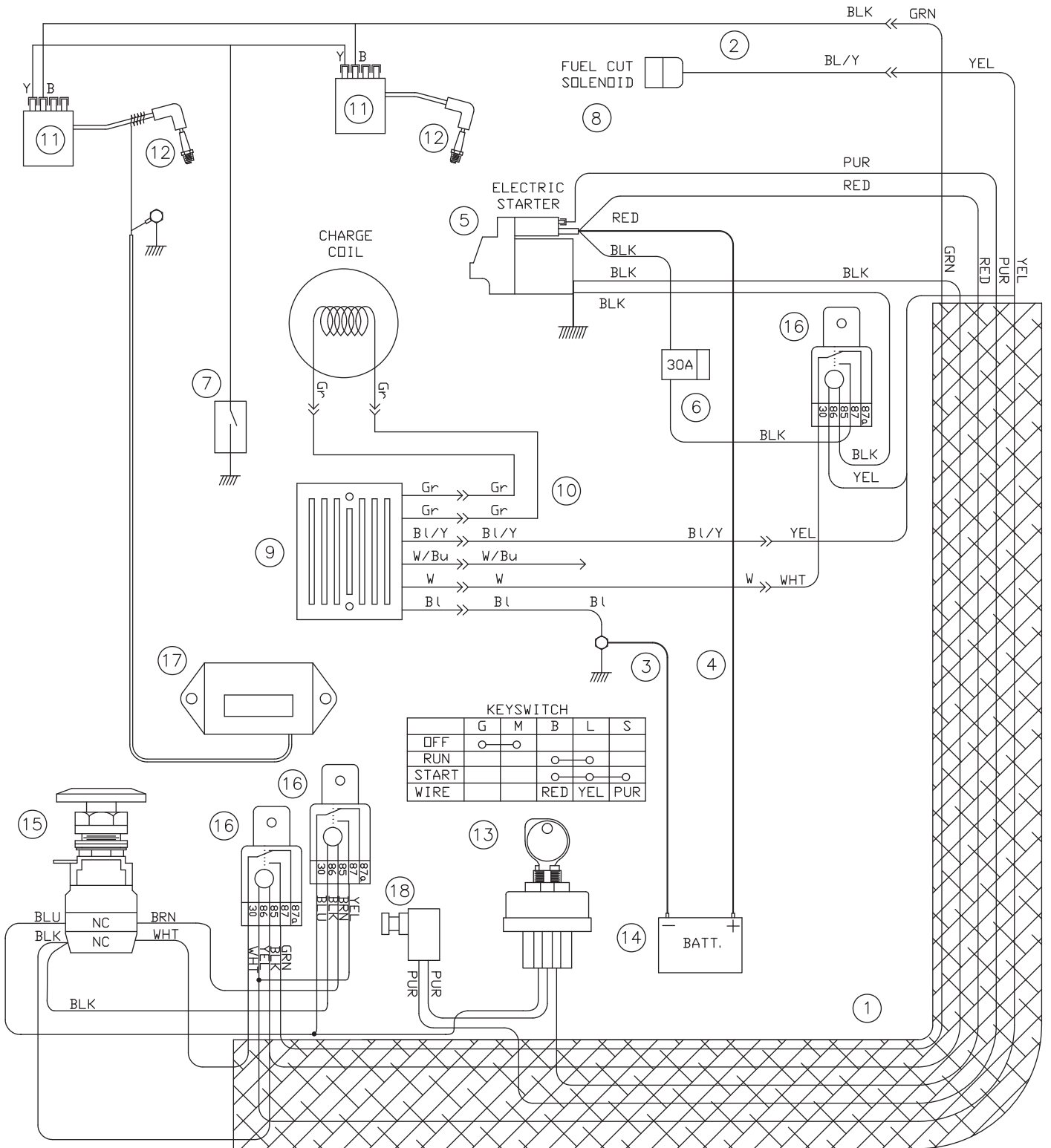
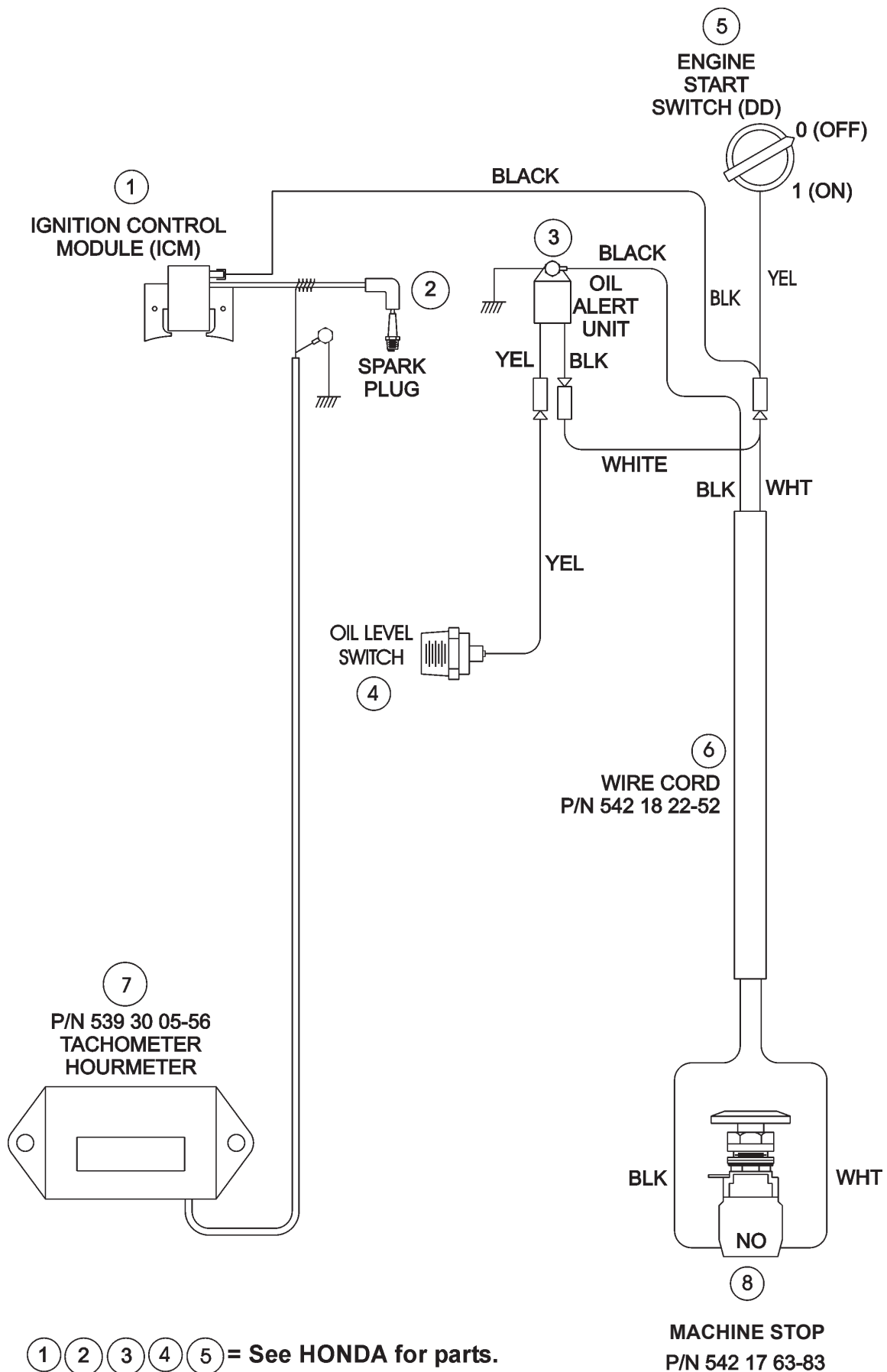


SCHÉMA DE CÂBLAGE (FS 520, FS 524)

ARTICLE	N° RÉF.	QTÉ	DESCRIPTION
1	502304815	1	FAISCEAU DE CÂBLES
2		1	FAISCEAU DE CÂBLES, MOTEUR, HONDA
3	542182253	1	CÂBLE NÉGATIF DE LA BATTERIE
4	542182254	1	CÂBLE POSITIF DE LA BATTERIE
5		1	DÉMARREUR, HONDA
6	542198815	1	FUSIBLE, 30 A
7		1	COMMUTATEUR, NIVEAU D'HUILE DU MOTEUR, HONDA
8		1	SOLÉNOÏDE DE COUPURE DE CARBURANT, HONDA
9		1	RÉGULATEUR, HONDA
10		1	FAISCEAU DE CÂBLES, RÉGULATEUR, HONDA
11		2	BOBINE D'ALLUMAGE, HONDA
12		2	BOUGIE
13	542177920	1	CONTACTEUR D'ALLUMAGE
14	541208318	1	BATTERIE, 12 VOLTS
15	505417701	1	ARRÊT DE LA MACHINE
16	542166708	2	RELAIS, NO/NC
17	539300556	1	COMPTE-TOURS/COMPTEUR HORAIRE
18	542204052	1	COMMUTATEUR DE DÉMARRAGE AU POINT MORT

SCHÉMA DE CÂBLAGE (FS 513)



DONNÉES TECHNIQUES

FS 513

Émissions sonores (voir remarque 1)	
Niveau de puissance sonore mesuré dB(A)	107
Niveau de puissance sonore garanti dB(A)	110
Niveaux sonores (voir remarque 2)	
Niveau de pression acoustique au niveau des oreilles de l'utilisateur, dB(A)	90
Niveaux de vibrations, a_{hv} (voir remarque 3)	
Poignée droite, m/s^2	3,2
Poignée gauche, m/s^2	3,3

Remarque 1: Émission sonore dans l'environnement mesurée comme puissance acoustique (L_{WA}) selon la directive UE 2000/14/CE.

Remarque 2: Niveau de pression sonore conformément à EN 13862. Les données reportées pour le niveau de pression sonore montrent une dispersion statistique typique (déviat ion standard) de 4,0 dB (A).

Remarque 3: Niveau de vibrations conformément à EN 13862. Les données reportées pour le niveau de vibrations montrent une dispersion statistique typique (déviat ion standard) de 1,5 m/s^2 .

FS 520

Émissions sonores (voir remarque 1)	
Niveau de puissance sonore mesuré dB(A)	107
Niveau de puissance sonore garanti dB(A)	110
Niveaux sonores (voir remarque 2)	
Niveau de pression acoustique au niveau des oreilles de l'utilisateur, dB(A)	89
Niveaux de vibrations, a_{hv} (voir remarque 3)	
Poignée droite, m/s^2	2,2
Poignée gauche, m/s^2	2,2

Remarque 1: Émission sonore dans l'environnement mesurée comme puissance acoustique (L_{WA}) selon la directive UE 2000/14/CE.

Remarque 2: Niveau de pression sonore conformément à EN 13862. Les données reportées pour le niveau de pression sonore montrent une dispersion statistique typique (déviat ion standard) de 4,0 dB (A).

Remarque 3: Niveau de vibrations conformément à EN 13862. Les données reportées pour le niveau de vibrations montrent une dispersion statistique typique (déviat ion standard) de 1,5 m/s^2 .

FS 524

Émissions sonores (voir remarque 1)	
Niveau de puissance sonore mesuré dB(A)	109
Niveau de puissance sonore garanti dB(A)	112
Niveaux sonores (voir remarque 2)	
Niveau de pression acoustique au niveau des oreilles de l'utilisateur, dB(A)	88
Niveaux de vibrations, a_{hv} (voir remarque 3)	
Poignée droite, m/s^2	2,4
Poignée gauche, m/s^2	1,8

Remarque 1: Émission sonore dans l'environnement mesurée comme puissance acoustique (L_{WA}) selon la directive UE 2000/14/CE.

Remarque 2: Niveau de pression sonore conformément à EN 13862. Les données reportées pour le niveau de pression sonore montrent une dispersion statistique typique (déviat ion standard) de 4,0 dB (A).

Remarque 3: Niveau de vibrations conformément à EN 13862. Les données reportées pour le niveau de vibrations montrent une dispersion statistique typique (déviat ion standard) de 1,5 m/s^2 .

DONNÉES TECHNIQUES



Masse de la machine

Modèle	Masse nominale (kg)	Masse maximale (kg)
FS 513	186 (410)	221 (487)
FS 520	231 (509)	245 (540)
FS 524	233 (514)	248 (546)

Vitesse d'axe et régime moteur

Modèle	Vitesse d'axe (tr/min)	Régime moteur (tr/min)
FS 513	2700	3600
FS 520	2100	3600
FS 524	2100	3600

AVERTISSEMENT !

UTILISER UNIQUEMENT des disques (H) marqués d'une vitesse maximale d'exploitation supérieure à la vitesse de l'axe de disque.

NE PAS remplacer le disque par un modèle plus grand sans utiliser les courroies et poulies adaptées !

Profondeur de coupe

Model	Taille du disque mm (")	Profondeur de coupe maximale, mm (")
FS513	500 (20)	179 (7,2)
FS520	500 (20)	191 (7,7)
FS524	600 (24)	241 (9,7)

Dimensions du mandrin et de la bride de disque

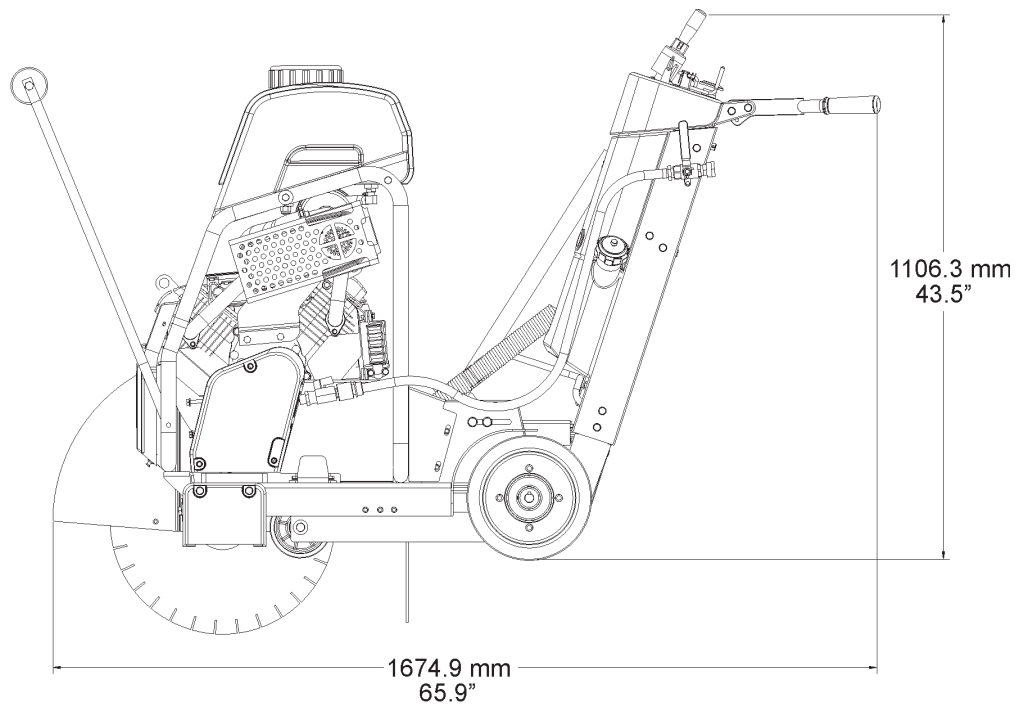
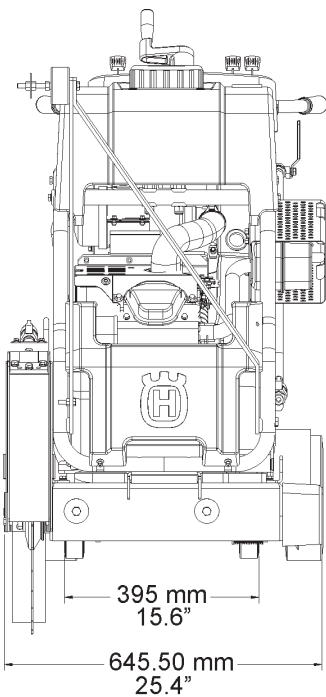
Dimensions du mandrin, mm (pouces)	25,4 (1)
Diamètre de bride de disque, mm (pouces)	114 (4,5)

Capacité du réservoir de carburant

Modèle	Capacité
FS 513	6,5 litres (1,72 gallons É.U.) (1,43 gallons R.U.)
FS 520	7,9 litres (2.1 gallons É.U.) (1,7 gallons R.U.)
FS 524	7,9 litres (2.1 gallons É.U.) (1,7 gallons R.U.)

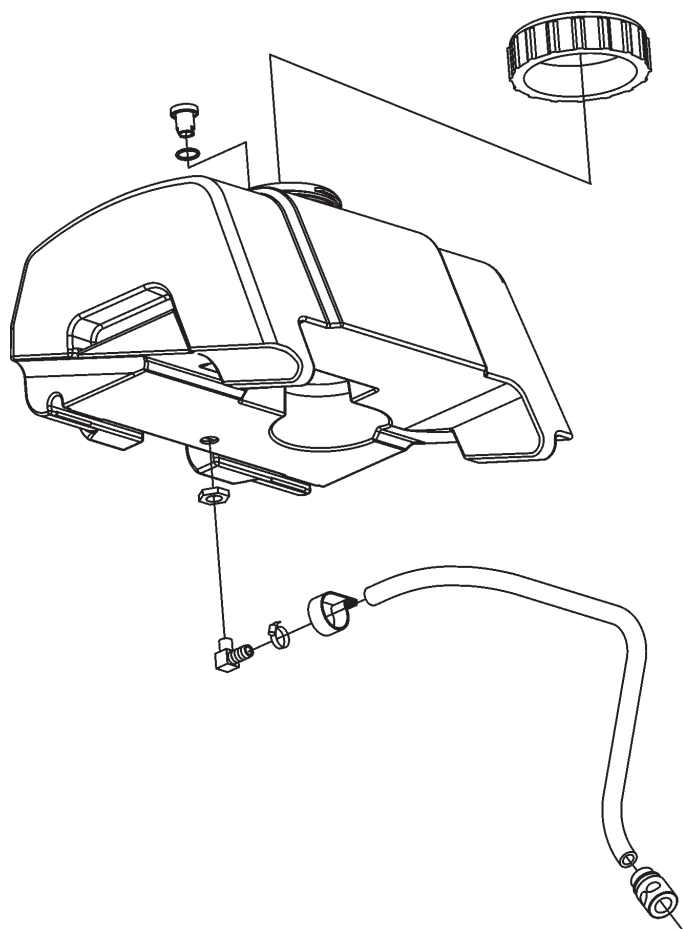
Capacité du réservoir d'eau

25 litres (6,6 gallons É.U.) (5,5 gallons R.U.)



ACCESSOIRES

Réservoir d'eau 541 20 82-86 Kit complet



CERTIFICATS DE CONFORMITÉ

American National Standards Institute : Pour les appareils utilisés aux États-Unis, cette machine a été conçue en conformité avec la norme ANSI B7.1-2000, « Safety Requirements for the Use, Care and Protection of Abrasive Wheels » de l’American National Standards Institute. Pour acheter un exemplaire de cette norme, contacter l’American National Standards Institute à l’adresse ci-dessous :

American National Standards Institute
25 West 43rd Street, 4th floor
New York, NY 10036

Téléphone : 212.642.4900
Fax: 212.398.0023
www.ansi.org

CALIFORNIA AIR RESOURCES BOARD (CARB): Cette machine est considérée une application hors route en vertu des normes CARB. En tant que matériel de chantier et, en particulier, que scie à béton (Scies : béton, maçonnerie, coupe) de puissance moteur inférieure à 19 kW (25 hp), les normes CARB ne s’appliquent pas à cette machine.

Pour plus de renseignements, consulter le site Web <http://www.arb.ca.gov/msprog/offroad/preempt.htm>

Déclaration de conformité CE

(Concerne seulement l'Europe)

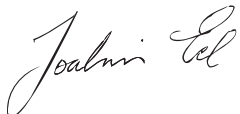
Husqvarna AB, SE-561 82 Huskvarna, Suède, tél. +46-36-146500, déclarons, sous notre seule responsabilité, que la scie de sol **Husqvarna FS 513, FS 520, FS 524** à partir des numéros de série de l'année de fabrication 2016 et ultérieurement (l'année est clairement indiquée sur la plaque signalétique et suivie d'un numéro de série), est conforme aux dispositions des DIRECTIVES EUROPÉENNES:

- du 17 mai 2006 “relative aux machines” 2006/42/CE.
- du 26 février 2014 “relative à la compatibilité électromagnétique” 2014/30/UE.
- du 8 mai 2000 “émissions sonores dans l'environnement” 2000/14/CE.

Les normes harmonisées suivantes ont été appliquées : EN ISO 12 100:2010, CISPR12:2007+Amd1:2009, EN55012:2007+A1:2009, EN13862+A1:2009, EN ISO 14982:2009.

SMP Svensk Maskinprovning AB, Box 7035, SE-750 07 Uppsala, Suède, a effectué l'examen de type volontaire au nom de Husqvarna AB, conformément à la directive relative aux machines (2006/42/CE). Le certificat porte le numéro: SEC/17/2478

Göteborg, le 26 février 2016



Joakim Ed
Directeur général R&D
Équipements de Construction Husqvarna AB
(Représentant autorisé d'Husqvarna AB et responsable de la documentation technique.)

FEDERAL EMISSION CONTROL WARRANTY STATEMENT

YOUR WARRANTY RIGHTS AND OBLIGATIONS

The Environmental Protection Agency and Husqvarna Construction Products are pleased to explain the evaporative emission control system (EECS) warranty on your 2011 and later small off-road engine (SORE) or equipment. New SOREs or equipment must be designed, built, and equipped to meet the new stringent anti-smog standards. Husqvarna Construction Products must warrant the EECS on your SOREs or equipment for the period of time listed below provided there has been no abuse, neglect, or improper maintenance of your SOREs or equipment.

Your EECS may include parts such as the carburetor or fuel tanks, fuel lines, fuel caps, valves, canisters, filters, vapor hoses, clamps, connectors, and other associated components. The covered parts for 2011 and later are given below. When a warrantable condition exists, Husqvarna Construction Products will repair your SORE engine or equipment at no cost to you, including diagnosis, parts, and labor.

MANUFACTURER'S WARRANTY COVERAGE

This EECS is warranted for two (2) years. If any evaporative emission-related part included in the list of warranted EECS parts for your equipment is defective, the part will be repaired or replaced by Husqvarna Construction Products.

OWNER'S WARRANTY RESPONSIBILITIES

As the SORE owner, you are responsible for performance of the required maintenance listed in your owner's manual. Husqvarna Construction Products recommends that you retain all receipts covering maintenance on your SORE, but Husqvarna Construction Products cannot deny warranty solely for the lack of receipts. As the SORE owner you should be aware that Husqvarna Construction Products may deny you warranty coverage if your SORE or a warranted EECS part has failed due to abuse, neglect, or improper maintenance or unapproved modifications. You are responsible for presenting your SORE to a Husqvarna Construction Products service center as soon as the problem exists. The warranty repairs should be completed in a reasonable amount of time, not to exceed 30 days. If you have a question regarding your warranty coverage, you should contact the Husqvarna Construction Products service center at 1-800-288-5040 or www.USA.husqvarnacp.com.

GENERAL EMISSION WARRANTY COVERAGE

Husqvarna Construction Products warrants to the ultimate purchaser and each subsequent purchaser that your SORE or equipment is: Designed, built, and equipped to conform to all applicable regulations; and Free from defects in materials or workmanship that cause the failure of a warranted part to be identical in all material respects to that part as described in the original Husqvarna Construction Products Application for Certification. The warranty period begins on the date the equipment is delivered to the ultimate purchaser or first placed into service. The warranty period is two (2) years. Subject to certain conditions and exclusions as stated below, the warranty on covered emission-related parts is as follows:

- 1 Any warranted part that is not scheduled for replacement as required maintenance in the written instructions supplied is warranted for the warranty period stated above. If the part fails during the warranty period the part will be repaired or replaced by Husqvarna Construction Products according to subsection (4) below. Any such part repaired or replaced under warranty will be warranted for the remainder of the period.
- 2 Any warranted part that is scheduled for regular inspection in the written instructions supplied is warranted for the full warranty period. Any such part repaired or replaced under warranty will be warranted for the remaining warranty period.
- 3 Any warranted part that is scheduled for replacement as required maintenance in the written instructions supplied is warranted for the full warranty period before the first scheduled replacement date for that part. If the part fails before the first scheduled replacement, the part will be repaired or replaced by Husqvarna Construction Products according to subsection (4) below. Any such part repaired or replaced under warranty will be warranted for the remainder of the period prior to the first scheduled replacement point for the part.
- 4 Repair or replacement of any warranted part under the warranty provisions herein must be performed at a Service Center at no cost to the owner.
- 5 Notwithstanding the provisions herein, warranty services or repairs will be provided at all of our service centers that are franchised to service the subject engines or equipment.
- 6 The engine or equipment owner will not be charged for diagnostic labor that is directly associated with diagnosis of a defective emission-related warranted part, provided that such diagnostic work is performed at an authorized Service Center.
- 7 Husqvarna Construction Products may be liable for damages to other engine or equipment components proximately caused by a failure under warranty of any warranted part.
- 8 Throughout the warranty period stated above, Husqvarna Construction Products will maintain a supply of warranted parts sufficient to meet the expected demand for such parts.
- 9 Any replacement part may be used in the performance of any warranty maintenance or repairs must be provided without charge to the owner.
- 10 Add-on or modified parts that are not exempted by the Air Resources Board may not be used. The use of any non-exempt add-on or modified parts by the ultimate purchaser or subsequent purchaser will be grounds for disallowing a warranty claim. Husqvarna Construction Products will not be liable to warrant failures of warranted parts caused by the use of a non-exempted add-on or modified part.

FEDERAL EMISSION CONTROL WARRANTY STATEMENT

WARRANTED PARTS

The repair or replacement of any warranted part otherwise eligible for warranty coverage may be excluded from such warranty coverage if Husqvarna Construction Products demonstrates that the engine or equipment has been abused, neglected, or improperly maintained, and that such abuse, neglect, or improper maintenance was the direct cause of the need for repair or replacement of the part. That notwithstanding, any adjustment of a component that has a factory installed and properly operating adjustment limiting device is still eligible for warranty coverage. The following emission warranty parts are covered:

- 1 Liquid Fuel Lines
- 2 Fuel Line Clamps and Fittings
- 3 Fuel tank
- 4 Fuel System Vapor Vent Lines
- 5 Fuel cap
- 6 Fuel System Valves (rollover valves and anti-slosh valves where applicable)
- 7 Carbon Canister (where applicable)

INFORMATIONS DE CONTACT



Construction Products, North America

Corporate Office

17400 West 119th Street, Olathe, Kansas 66061 USA

Corporate Office: 913-928-1000

Corp. Office Fax: 913-438-7951

www.husqvarna.com

Pour toute réparation, contacter le représentant local de Husqvarna Construction Products.

Europe :

Husqvarna Construction Products

SE-433 81 Partille, Suède

Tél.: +46 31 94 90 00

Fax : +46 31 94 90 50

Asie Pacifique :

Husqvarna Construction Products, Australia Pty Ltd

25-31 Kinkaid Avenue,
North Plympton, Adelaide,
South Australia 5037

Tél.: +61 (0)8 8375 1000

Fax :+61 (0)8 8371 0990

Amérique :

Husqvarna Construction Products, North America

17400 West 119th Street, Olathe, Kansas 66061 USA

Téléphone sans frais : 800-288-5040, Téléphone : 913-928-1300

Fax : 913-438-7938



www.husqvarnacp.com

US - Original instructions, **UE**- Instrucciones originales, **CA** - Instructions d'origine.

1157516-49



2017-10-02 Rev2