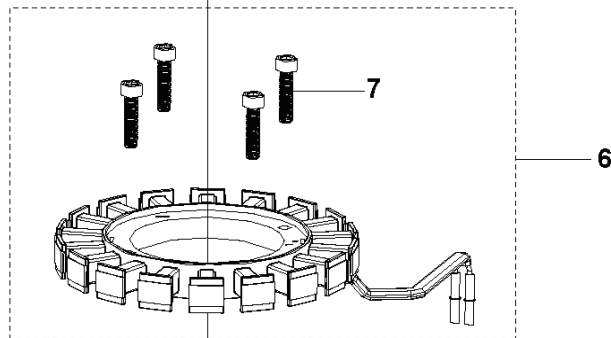
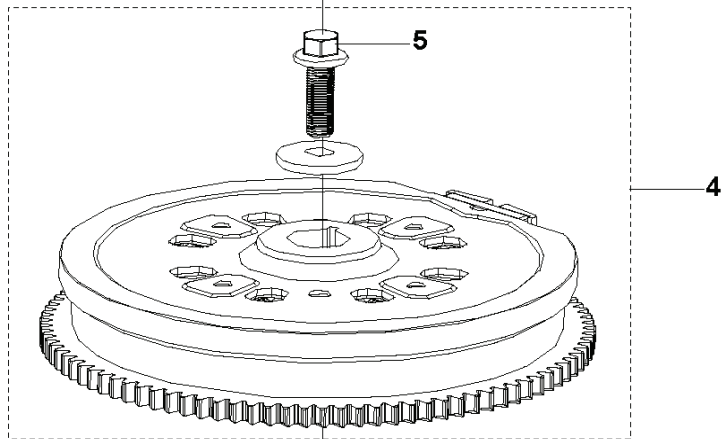
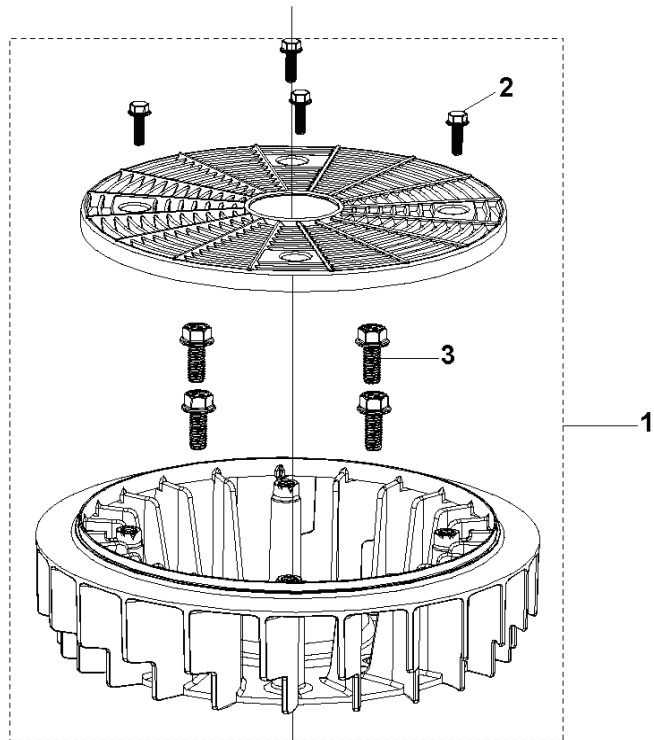


SPARE PARTS CATALOGUE
: HUSQVARNA

Spare Parts List

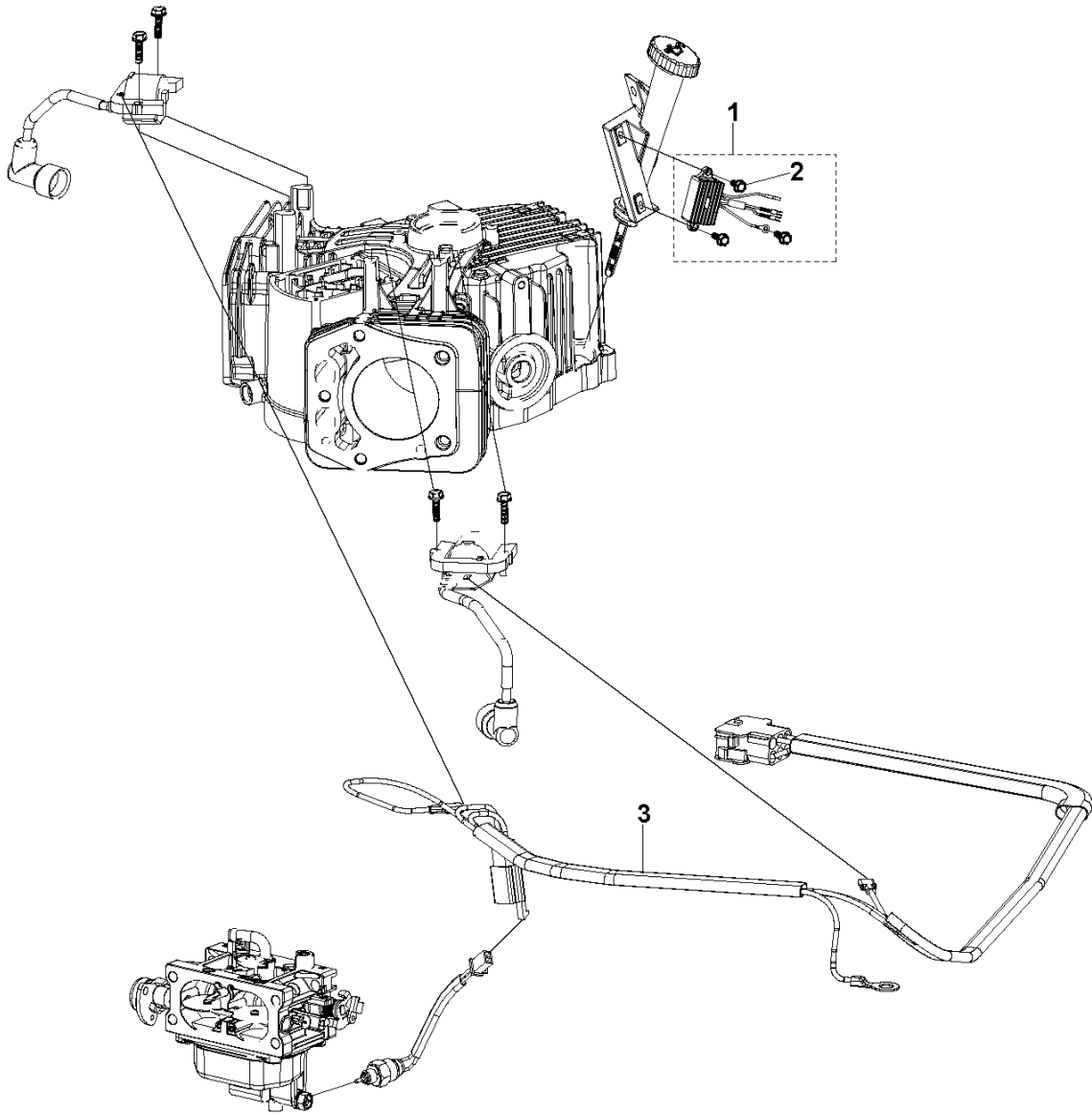
SPARE PARTS LIST

D HV 764
FLYWHEEL



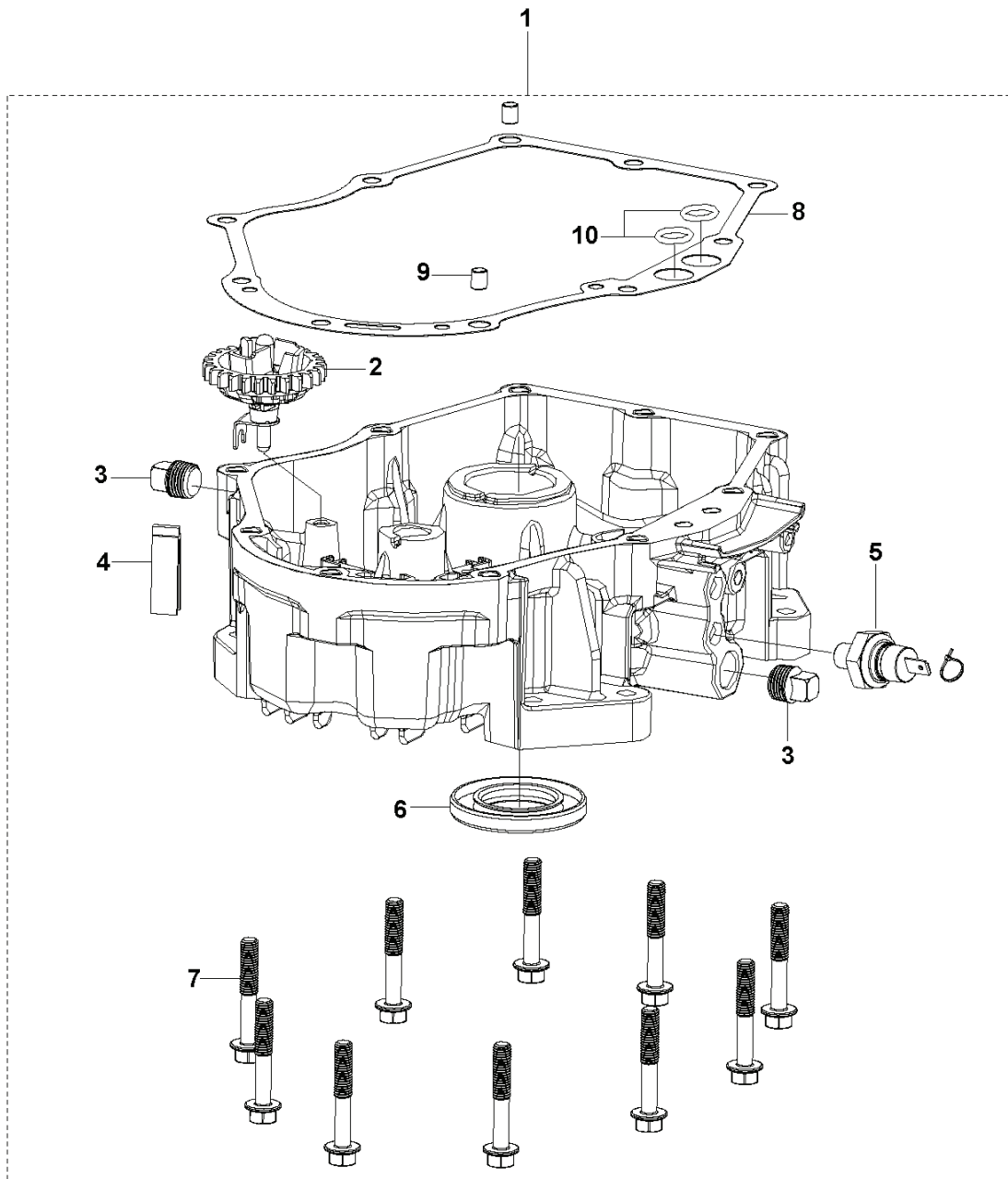
REF.	PART NO.	DESCRIPTION	REMARK	QTY.	KIT
1	598599701	IMPELLER		1	
2	900000002	DUMMY PART	GB/T 5789: M5 L=16	1	
3	900000002	DUMMY PART	GB/T 5789: M5 L=16	1	
4	598605601	FLYWHEEL		1	
5	900000002	DUMMY PART	GB/T 5789: M5 L=16	1	
6	598600501	ARMATURE	ARMATURE	1	
7	900000002	DUMMY PART	GB/T 5789: M5 L=16	1	

D HV 764
ELECTRICAL



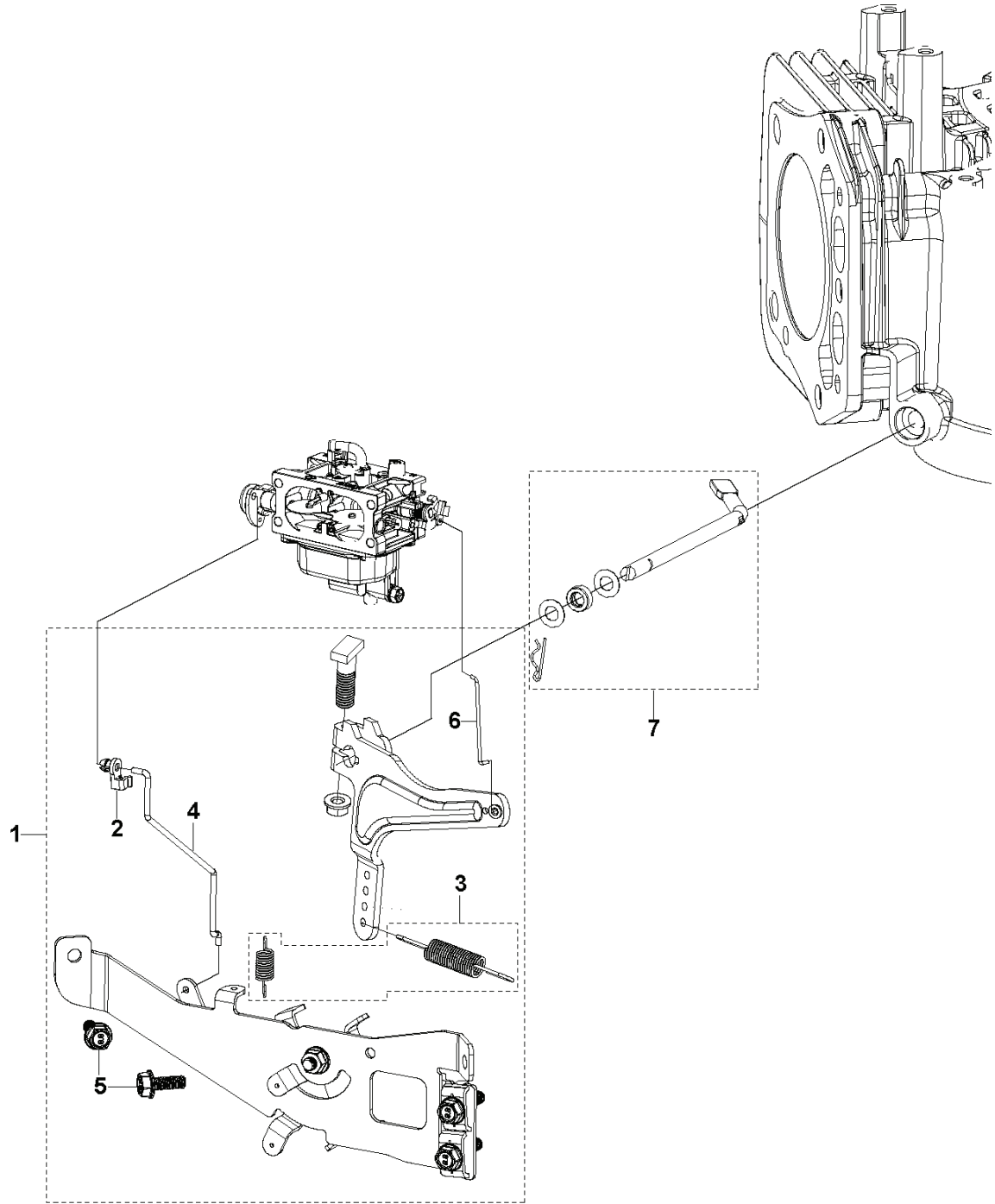
REF.	PART NO.	DESCRIPTION	REMARK	QTY.	KIT
1	598600301	REGULATOR		1	
2	900000002	DUMMY PART	GB/T 5789: M6 L=16	1	
3	598601001	HARNESS		1	

E HV 764
CRANKCASE COVER



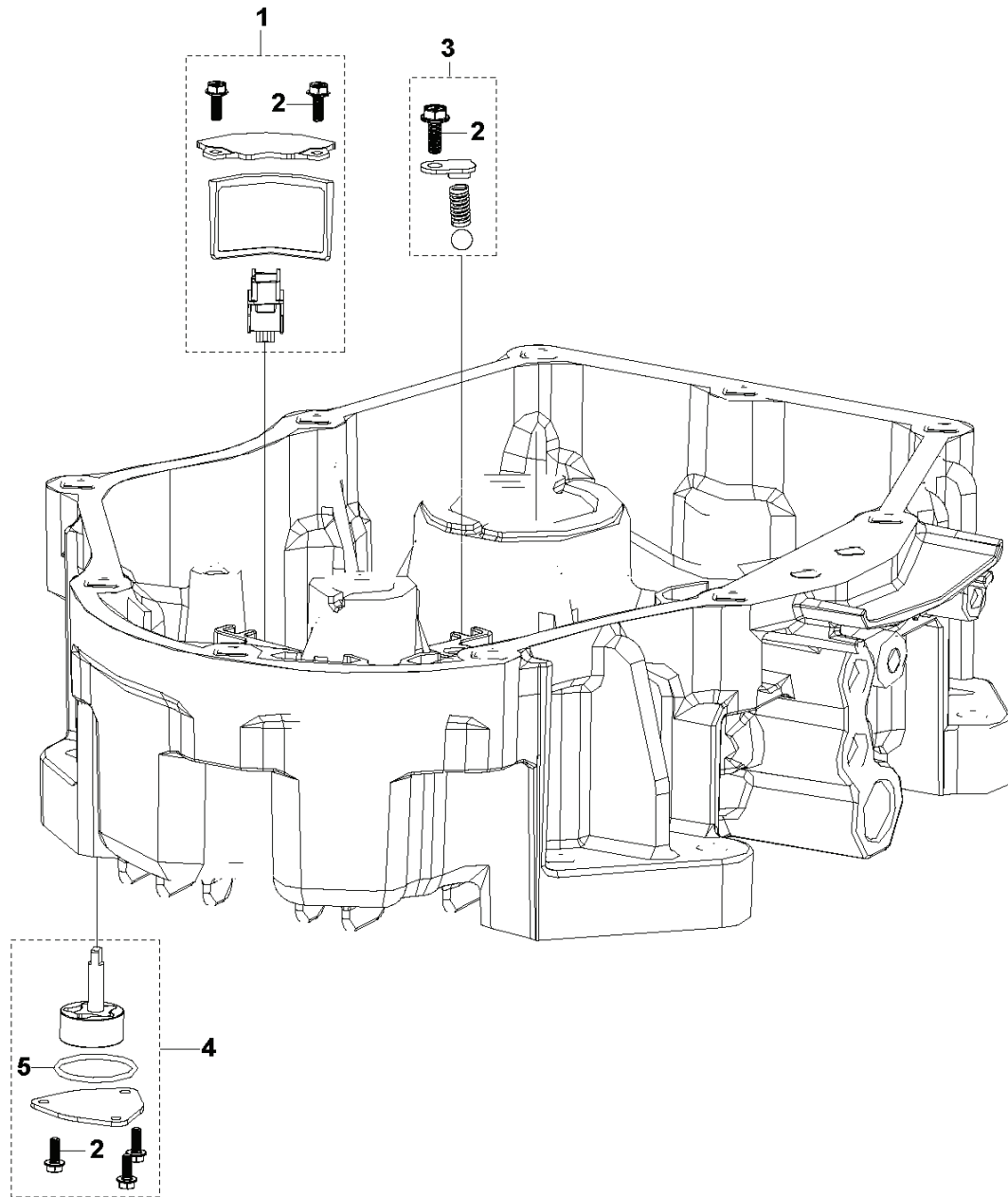
REF.	PART NO.	DESCRIPTION	REMARK	QTY.	KIT
1	599595901	CRANKCASE KIT	CRANKCASE COVER KIT	1	
2	598606601	GEAR	GOVERNOR GEAR	1	
3	598600101	OIL PLUG		1	
4	599595801	BLOCK	OIL RETURN BLOCK - MULTIPACK: 5	1	
5	599595701	SENSOR	OIL LEVEL SENSOR	1	
6	598607801	SEAL	OIL SEAL	1	
7	598607301	BOLT	T030: M8 L=55	1	
8	598606901	GASKET	CRANKCASE COVER GASKET	1	
9	598607701	PIN	LOCATION PIN - MULTIPACK: 20	1	
10	599595601	SEALING RING	SEAL RING - MULTIPACK: 10	1	

E HV 764
GOVERNOR



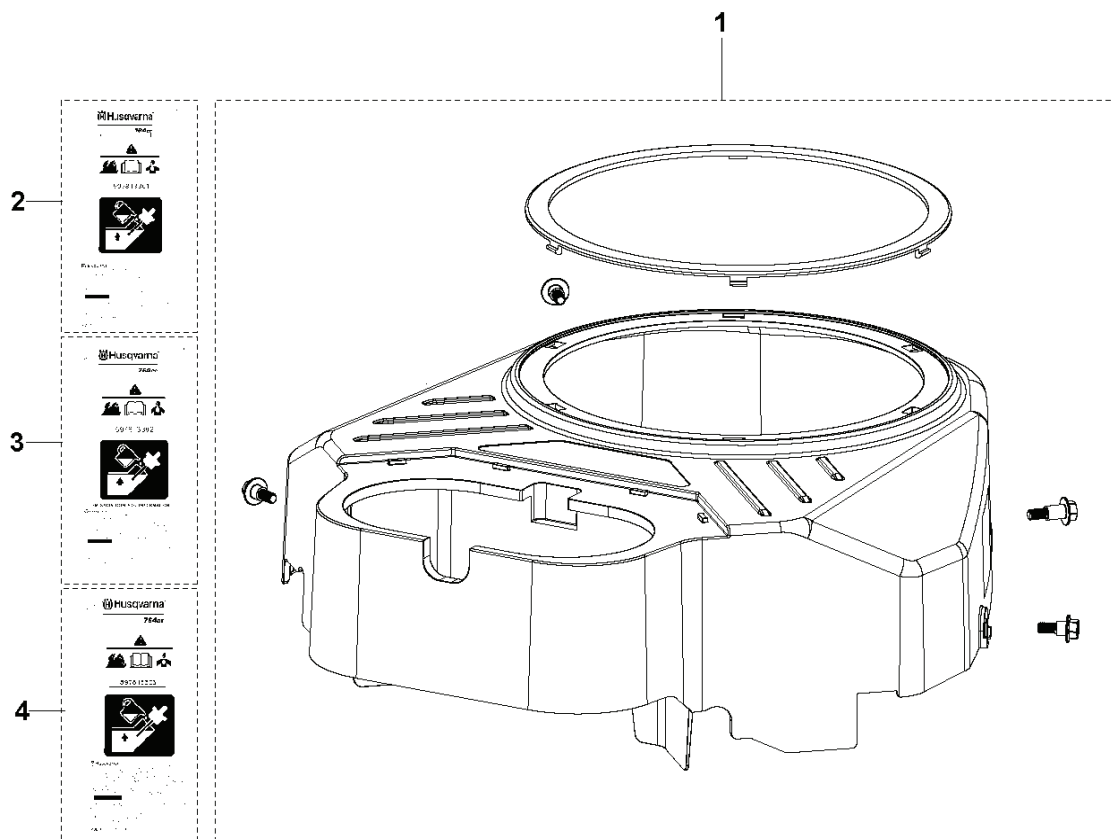
REF.	PART NO.	DESCRIPTION	REMARK	QTY.	KIT
1	598599801	THROTTLE ASSY		1	
2	599596701	LOCK	CHOKE LOCK - MULTIPACK: 10	1	
3	598606301	SPRING	GOVERNOR SPRING	1	
4	599595301	CHOKE ROD		1	
5	900000002	DUMMY PART	GB/T 5789: M6 L=16	1	
6	599593901	ROD	THROTTLE ROD	1	
7	598605301	ARM	SPEED REGULATING ARM KIT	1	

E HV 764
OIL PUMP



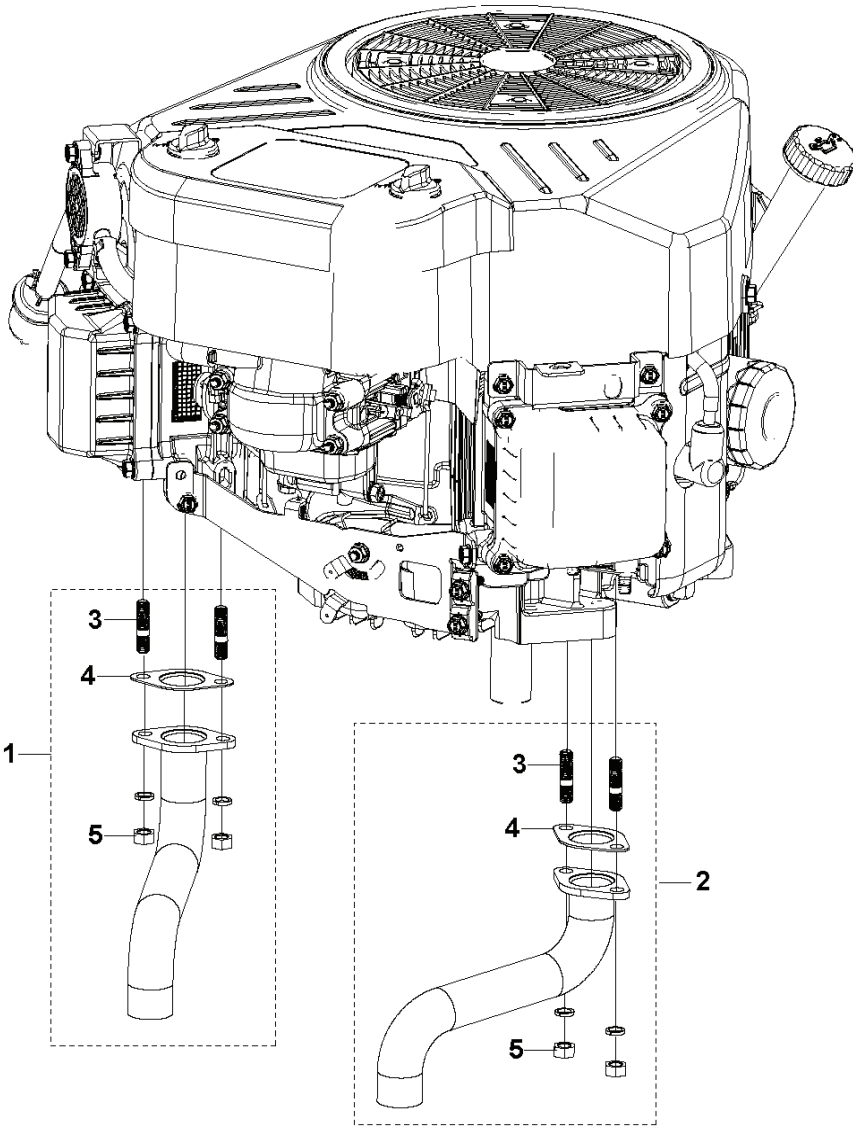
REF.	PART NO.	DESCRIPTION	REMARK	QTY.	KIT
1	598604901	STRAINER	OIL STRAINER	1	
2	900000002	DUMMY PART	GB/T 5789: M6 L=16	1	
3	598604801	PLATE KIT	OIL GROOVE PRESSING PLATE	1	
4	598605001	OIL PUMP ASSY		1	
5	599596101	SEALING RING	SEAL RING - MULTIPACK: 10	1	

F HV 764 ENGINE COVER



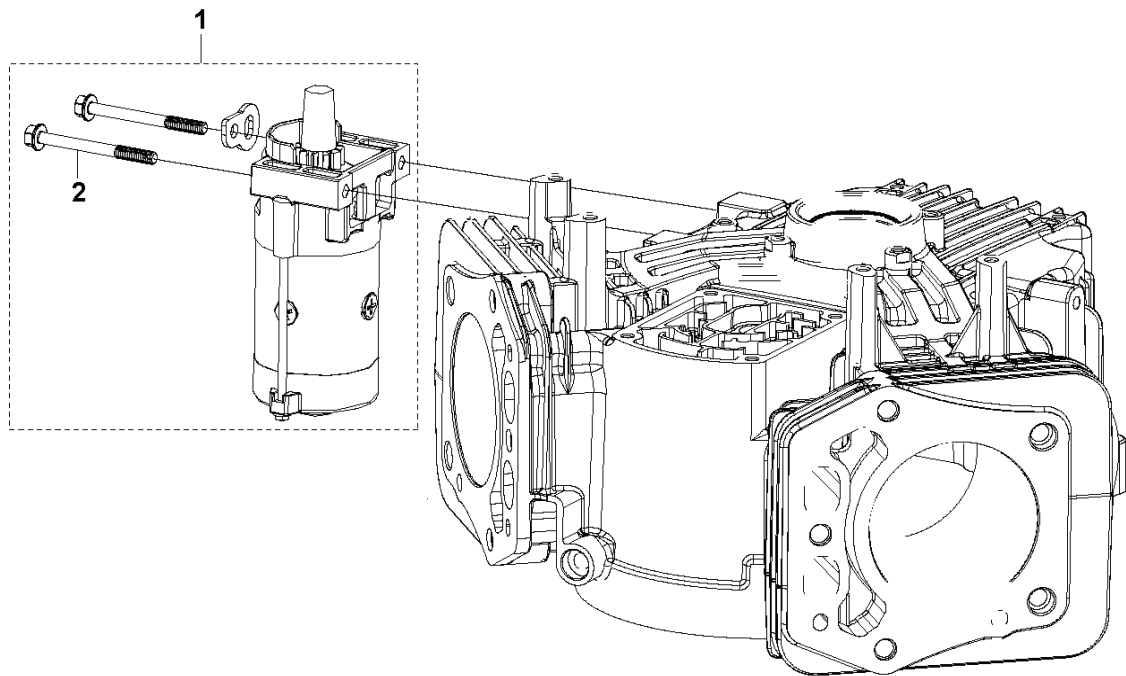
REF.	PART NO.	DESCRIPTION	REMARK	QTY.	KIT
1	598599601	COVER	FAN COVER	1	
2	599594301	LABEL	FOR ENGINE: 598632101	1	
3	599594302	LABEL	Label Kit for engine 597813302	1	
4	599594303	LABEL	FOR ENGINE: 598632103	1	

H HV 764
EXHAUST



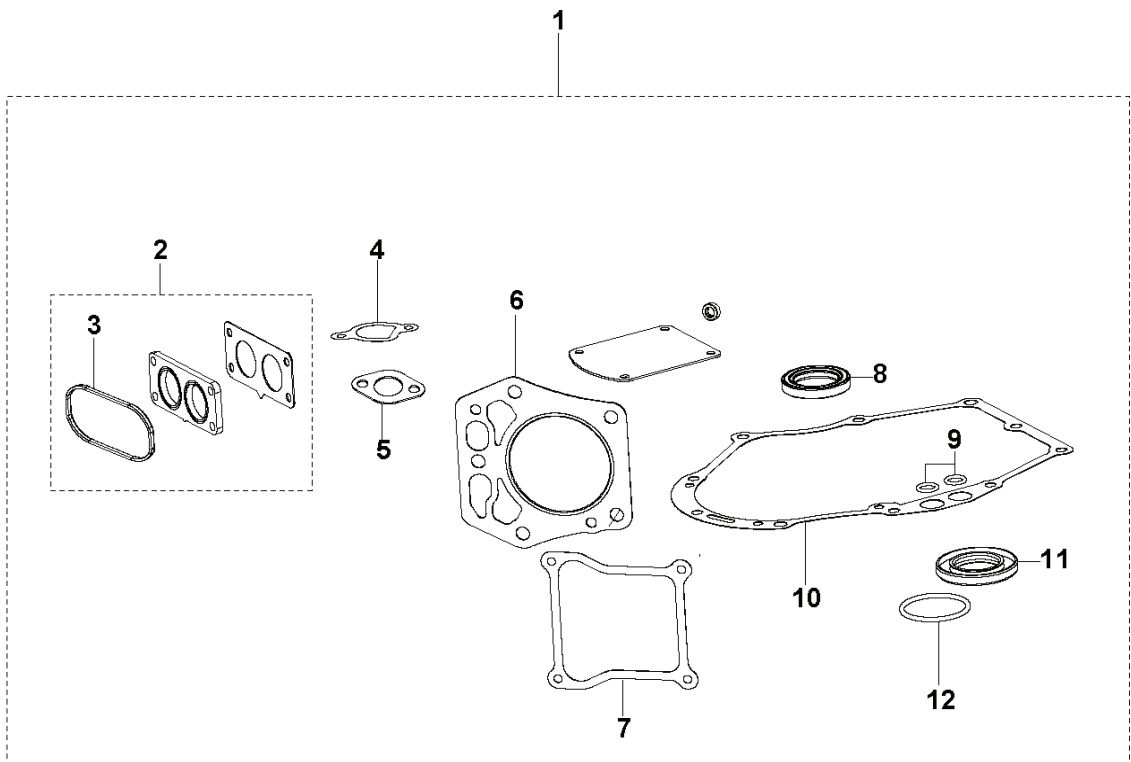
REF.	PART NO.	DESCRIPTION	REMARK	QTY.	KIT
1	598600801	MANIFOLD	EXHAUST MANIFOLD RIGHT	1	
2	598600701	MANIFOLD	EXHAUST MANIFOLD LEFT	1	
3	599349231	STUD	T040: M8 L=34 - MULTIPACK: 2	1	
4	599349045	GASKET	MUFFLER GASKET - MULTIPACK: 10	1	
5	599349195	NUT	GB/T 6170: M8	1	

**HV 764
STARTING MOTOR**



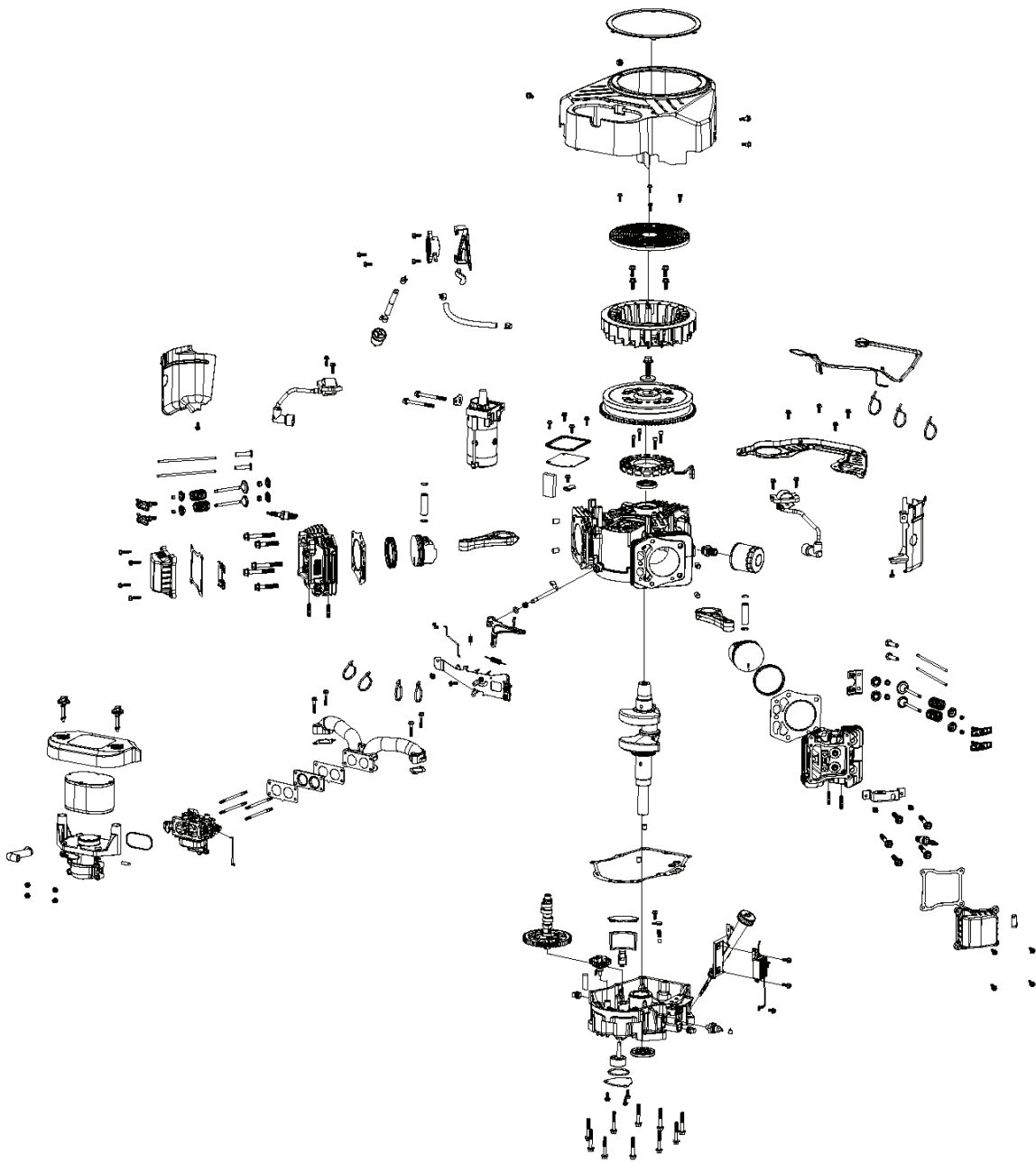
REF.	PART NO.	DESCRIPTION	REMARK	QTY.	KIT
1	598600601	STARTER MOTOR		1	
2	598607401	BOLT	GB/T 5789: M8 L=80 S=12	1	

J HV 764
GASKET KIT



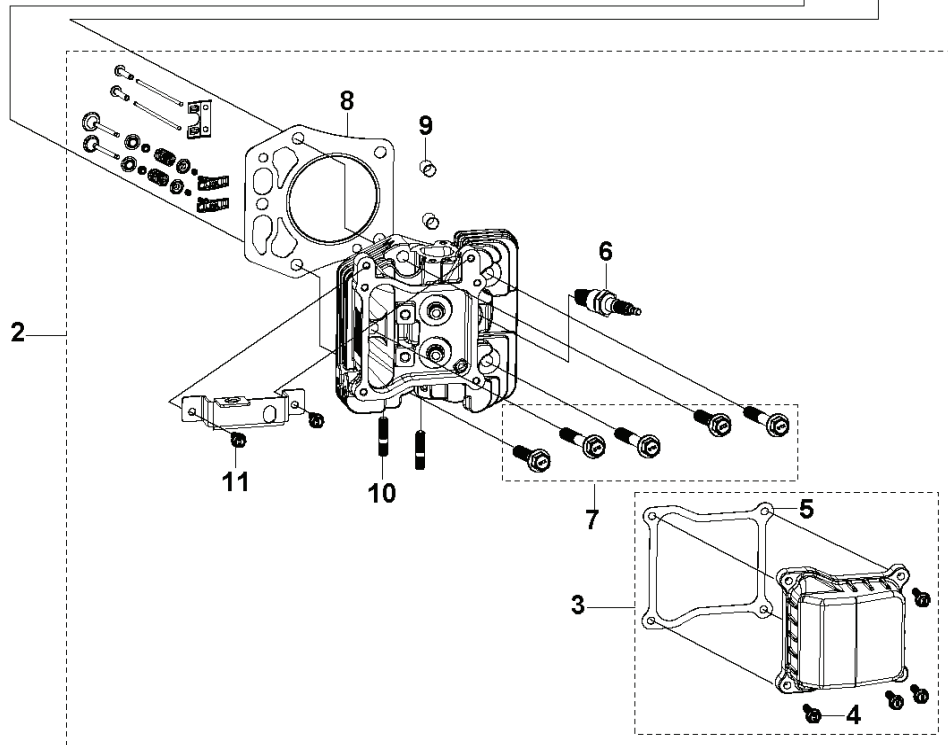
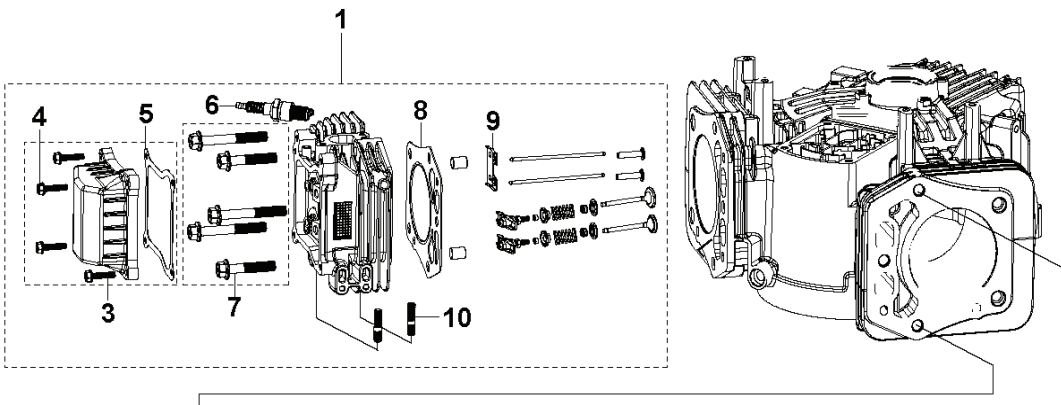
REF.	PART NO.	DESCRIPTION	REMARK	QTY.	KIT
1	598599401	GASKET KIT		1	
2	599594901	GASKET KIT	CARBURETTOR GASKET KIT	1	
3	599594601	SEALING RING	SEAL RING	1	
4	599595101	GASKET	CARBURETTOR GASKET - MULTIPACK: 10	1	
5	599349045	GASKET	MUFFLER GASKET - MULTIPACK: 10	1	
6	900000002	DUMMY PART	CYLINDER HEAD COVER GASKET	1	
7	900000002	DUMMY PART	CYLINDER HEAD COVER GASKET	1	
8	599596801	SEAL	OIL SEAL	1	
9	599595601	SEALING RING	SEAL RING - MULTIPACK: 10	1	
10	598606901	GASKET	CRANKCASE COVER GASKET	1	
11	598607801	SEAL	OIL SEAL	1	
12	599596101	SEALING RING	SEAL RING - MULTIPACK: 10	1	

HV 764
PRODUCT COMPLETE



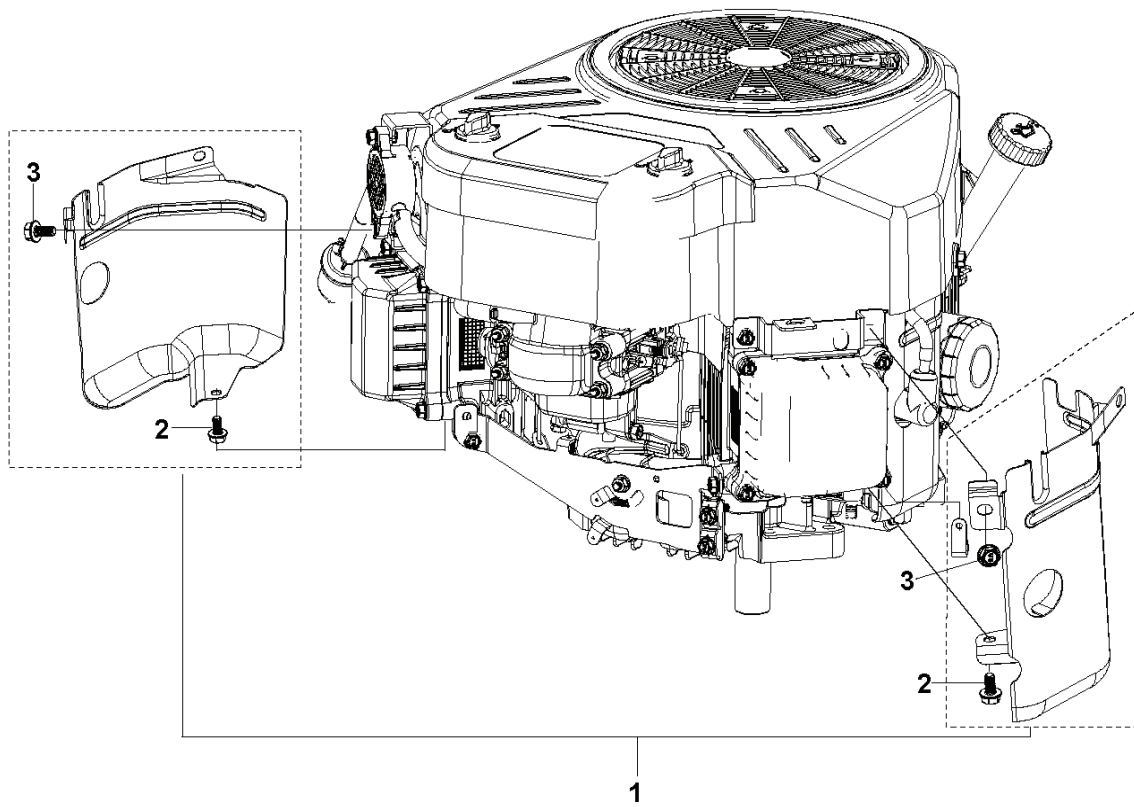
REF.	PART NO.	DESCRIPTION	REMARK	QTY.	KIT
1	598632101	ENGINE	FOR: AU/NZ/KR/SA/JP/EMM	1	
2	598632103	ENGINE	FOR: LATAM/KR	1	

A HV 764
CYLINDER HEAD ASSY



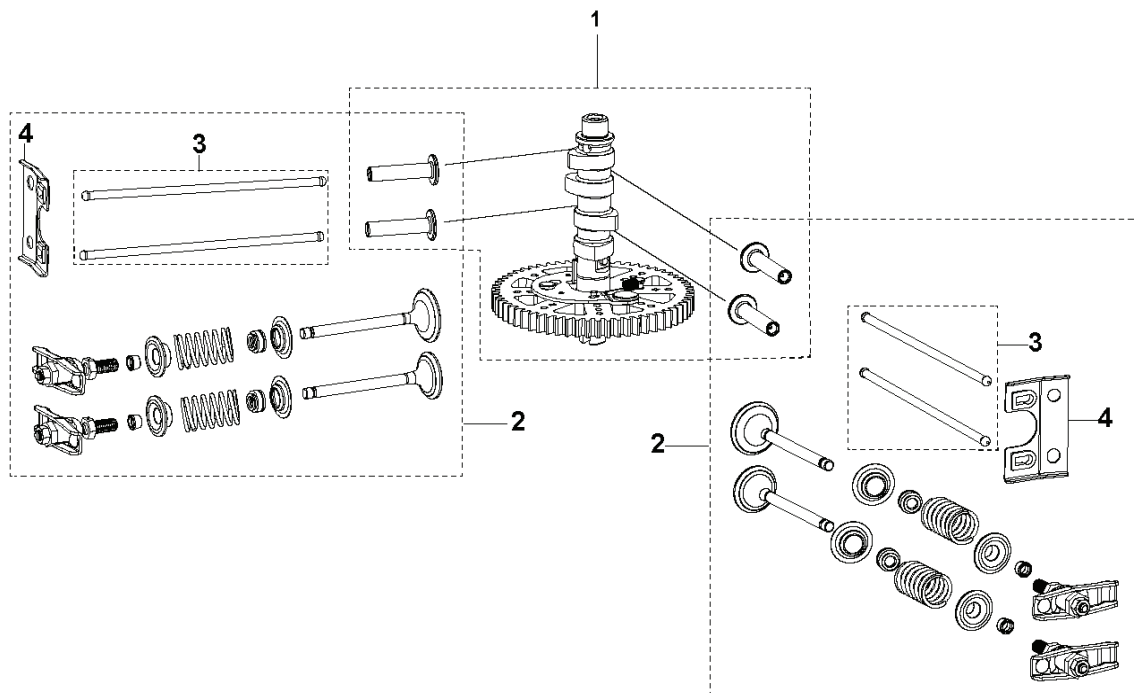
REF.	PART NO.	DESCRIPTION	REMARK	QTY.	KIT
1	598598501	CYLINDER HEAD KIT	CYLINDER HEAD KIT (RIGHT)	1	
2	598599001	CYLINDER HEAD KIT	CYLINDER HEAD KIT (LEFT)	1	
3	598598901	CYLINDER COVER	CYLINDER HEAD COVER KIT	1	
4	598684559	BOLT	GB/T 5789: M6 L=25	1	
5	900000002	DUMMY PART	CYLINDER HEAD COVER GASKET	1	
6	590844201	SPARK PLUG	HQT-7	1	
7	598598701	BOLT	T390: M10×1.25 L=70 & L=50	1	
8	900000002	DUMMY PART	CYLINDER HEAD COVER GASKET	1	
9	900000002	DUMMY PART	CYLINDER HEAD COVER GASKET	1	
10	599349231	STUD	T040: M8 L=34 - MULTIPACK: 2	1	
11	900000002	DUMMY PART	CYLINDER HEAD COVER GASKET	1	

A HV 764
AIR SHROUD



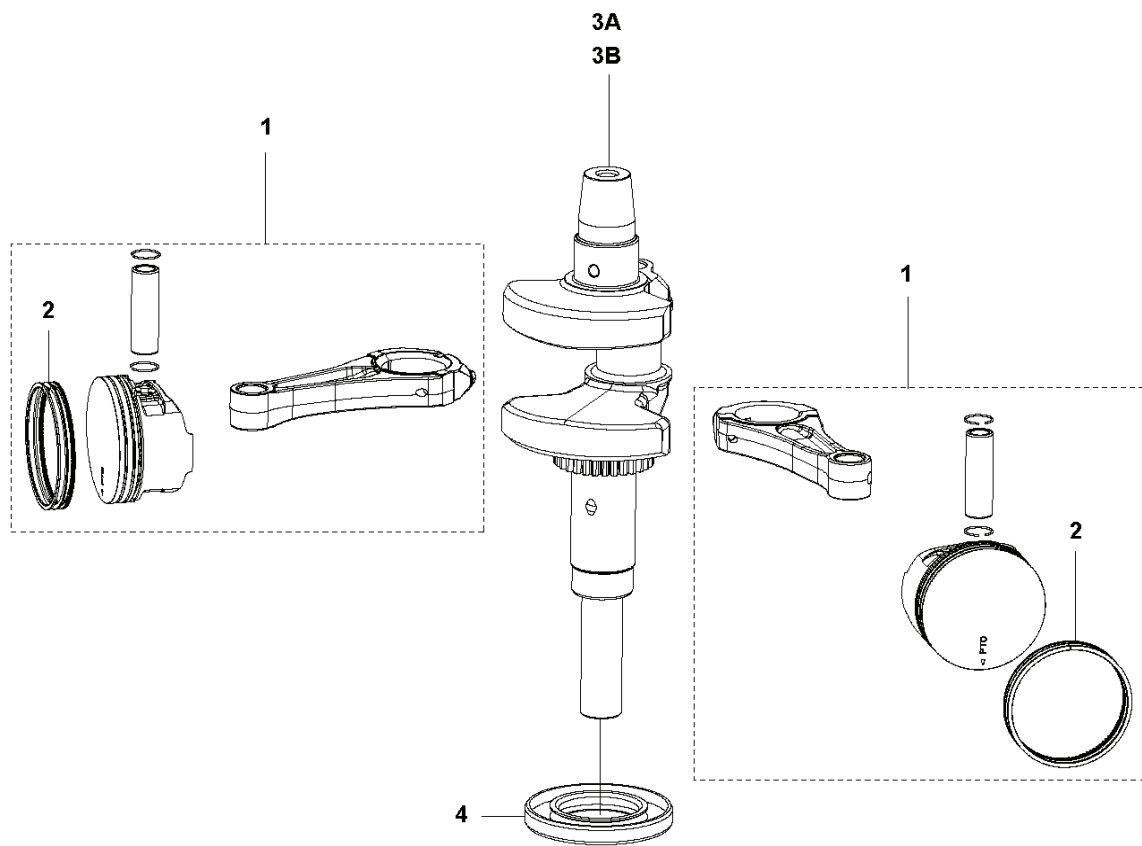
REF.	PART NO.	DESCRIPTION	REMARK	QTY.	KIT
1	598605401	DEFLECTOR	AIR DEFLECTOR KIT	1	
2	599349093	BOLT	GB/T 5789: M6 L=12	1	
3	900000002	DUMMY PART	GB/T 5789: M6 L=16	1	

A HV 764
CAMSHAFT & VALVE CRANKSHAFT



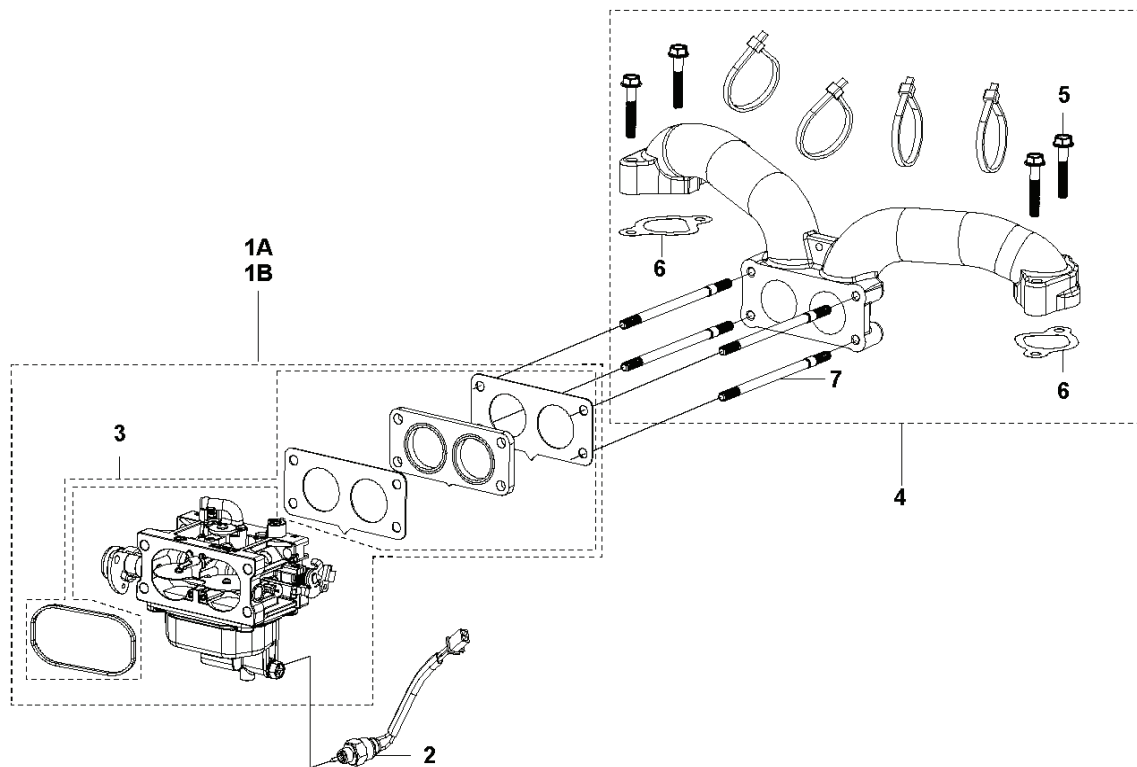
REF.	PART NO.	DESCRIPTION	REMARK	QTY.	KIT
1	598606401	CAMSHAFT	KIT	1	
2	598598801	VALVE KIT		1	
3	598598601	PUSH ROD	PUSH ROD SET	1	
4	529458901	PLATE	PUSH ROD GUIDE PLATE	1	

B HV 764
PISTON



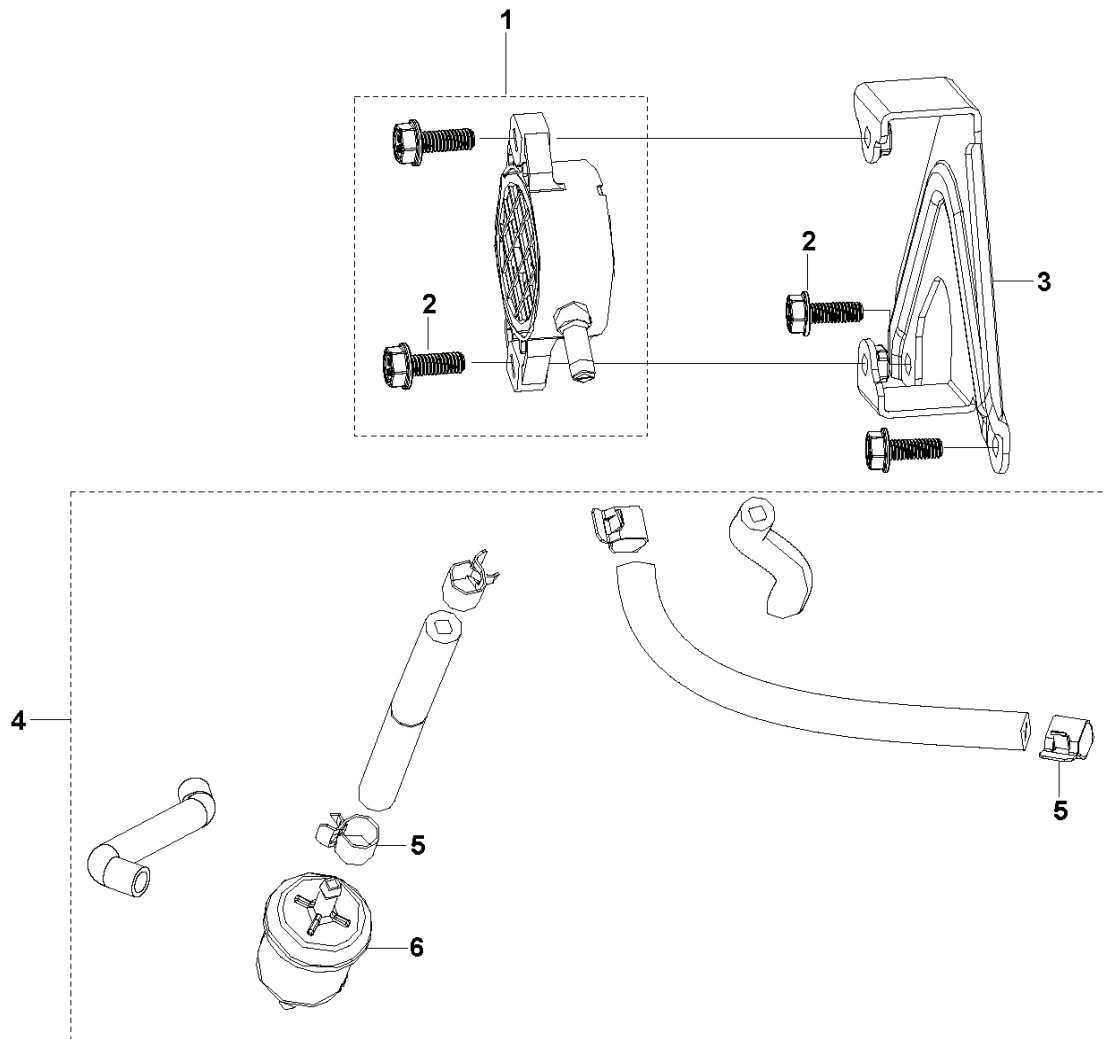
REF.	PART NO.	DESCRIPTION	REMARK	QTY.	KIT
1	598599501	PISTON ASSY		1	
2	900000002	DUMMY PART	SET	1	
3	598607001	CRANKSHAFT	1" - FOR ENGINE: 598632103	1	
3	598607101	CRANKSHAFT	1/3" - FOR ENGINE: 598632101	1	
4	598607801	SEAL	OIL SEAL	1	

C HV 764
CARBURETTOR



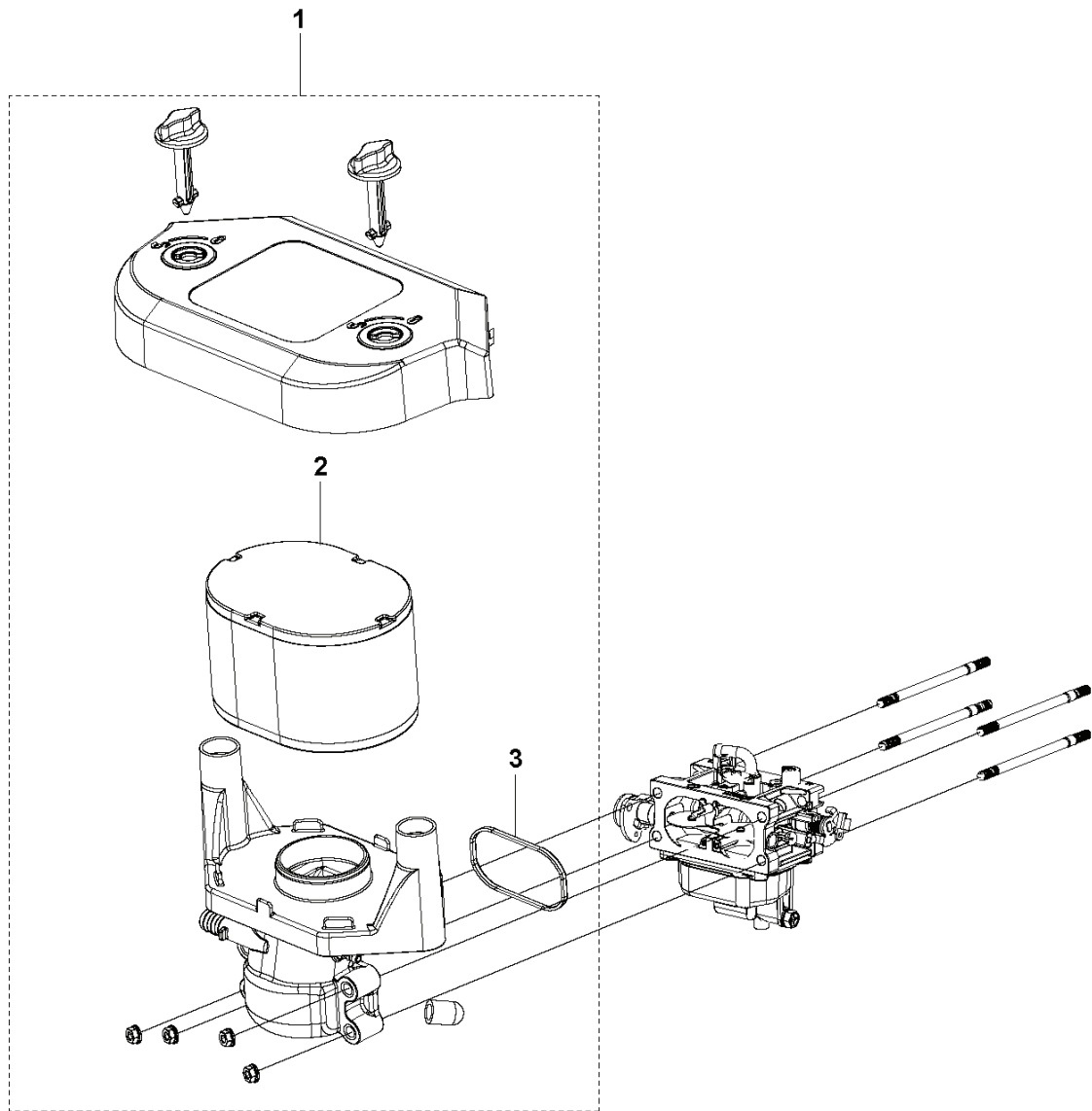
REF.	PART NO.	DESCRIPTION	REMARK	QTY.	KIT
1	598599101	CARBURETTOR KIT	FOR ENGINE: 598632102	1	
1	598599102	CARBURETTOR KIT	FOR ENGINE: 598632101, 598632103	1	
2	598599201	SOLENOID	SOLENOID VALVE	1	
3	599594901	GASKET KIT	CARBURETTOR GASKET KIT	1	
4	598605501	PIPE	INTAKE PIPE	1	
5	598607501	BOLT	GB/T 5789: M6 L=35	1	
6	599595101	GASKET	CARBURETTOR GASKET - MULTIPACK: 10	1	
7	598607901	STUD	T52K: M6 L=106 - MULTIPACK: 2	1	

C HV 764
FUEL PUMP



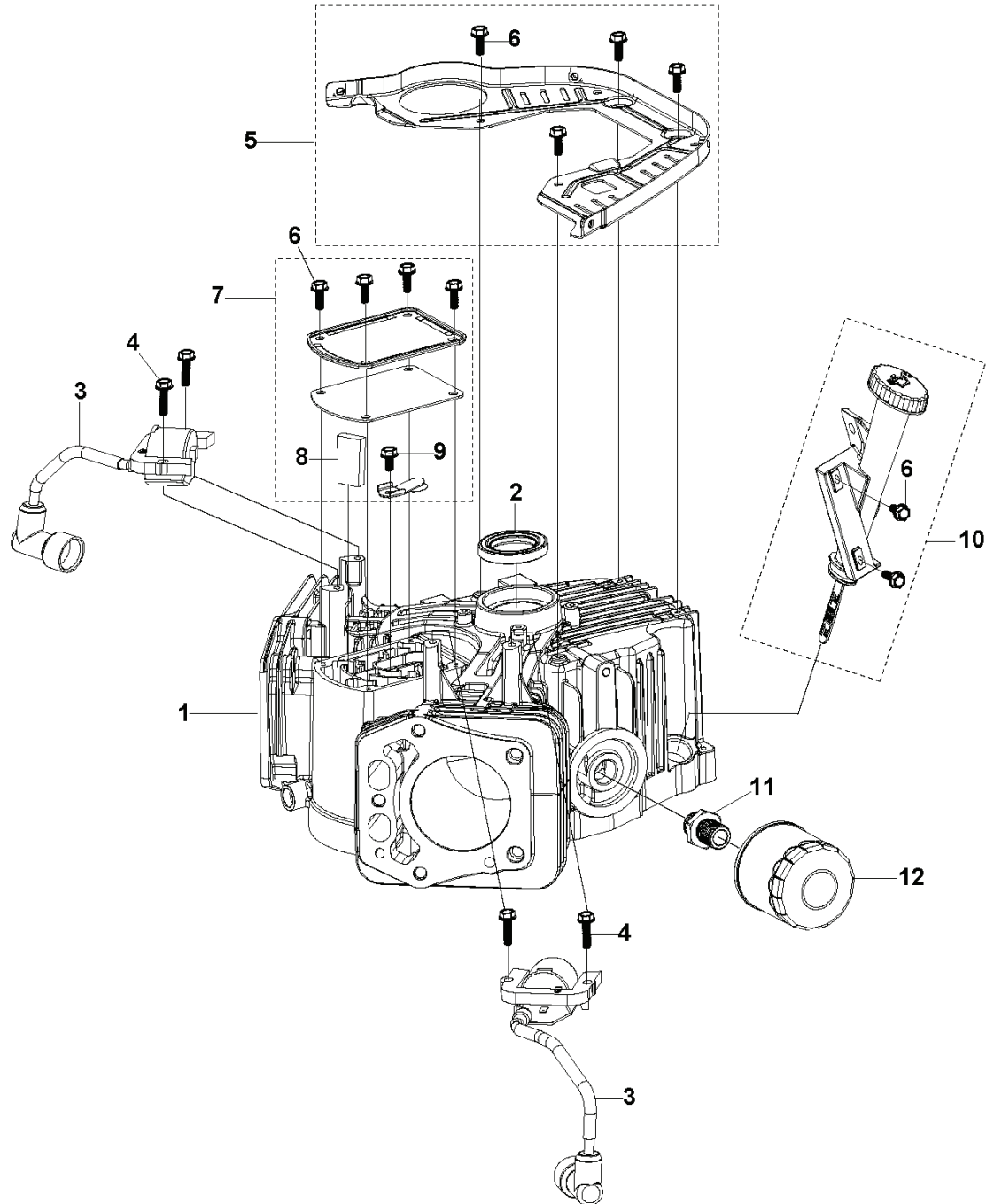
REF.	PART NO.	DESCRIPTION	REMARK	QTY.	KIT
1	598599901	FUEL PUMP		1	
2	900000002	DUMMY PART	GB/T 5789: M6 L=16	1	
3	598607201	BRACKET	FUEL PUMP BRACKET	1	
4	598600001	HOSE KIT		1	
5	599595401	CLIP	HOSE CLIP - MULTIPACK: 20	1	
6	598581801	FUEL FILTER		1	

C HV 764
AIR FILTER



REF.	PART NO.	DESCRIPTION	REMARK	QTY.	KIT
1	598599301	AIR FILTER ASSY		1	
2	598581901	AIR FILTER	ELEMENT	1	
3	599594601	SEALING RING	SEAL RING	1	

D HV 764
CRANKCASE



REF.	PART NO.	DESCRIPTION	REMARK	QTY.	KIT
1	598606701	CRANKCASE		1	
2	599596801	SEAL	OIL SEAL	1	
3	598600401	IGNITION COIL		1	
4	598684567	BOLT	GB/T 5789: M6 L=20	1	
5	598605101	COVER KIT	SIDE PLATE COVER	1	
6	900000002	DUMMY PART	GB/T 5789: M6 L=16	1	
7	598605201	BREATHER	BREATHER CHAMBER KIT	1	
8	599596901	BLOCK	OIL RETURN BLOCK - MULTIPACK: 5	1	
9	599349093	BOLT	GB/T 5789: M6 L=12	1	
10	598600201	DIPSTICK		1	
11	598607601	OIL PLUG	OIL FILTER MOUNTING PLUG	1	
12	591165901	OIL FILTER		1	