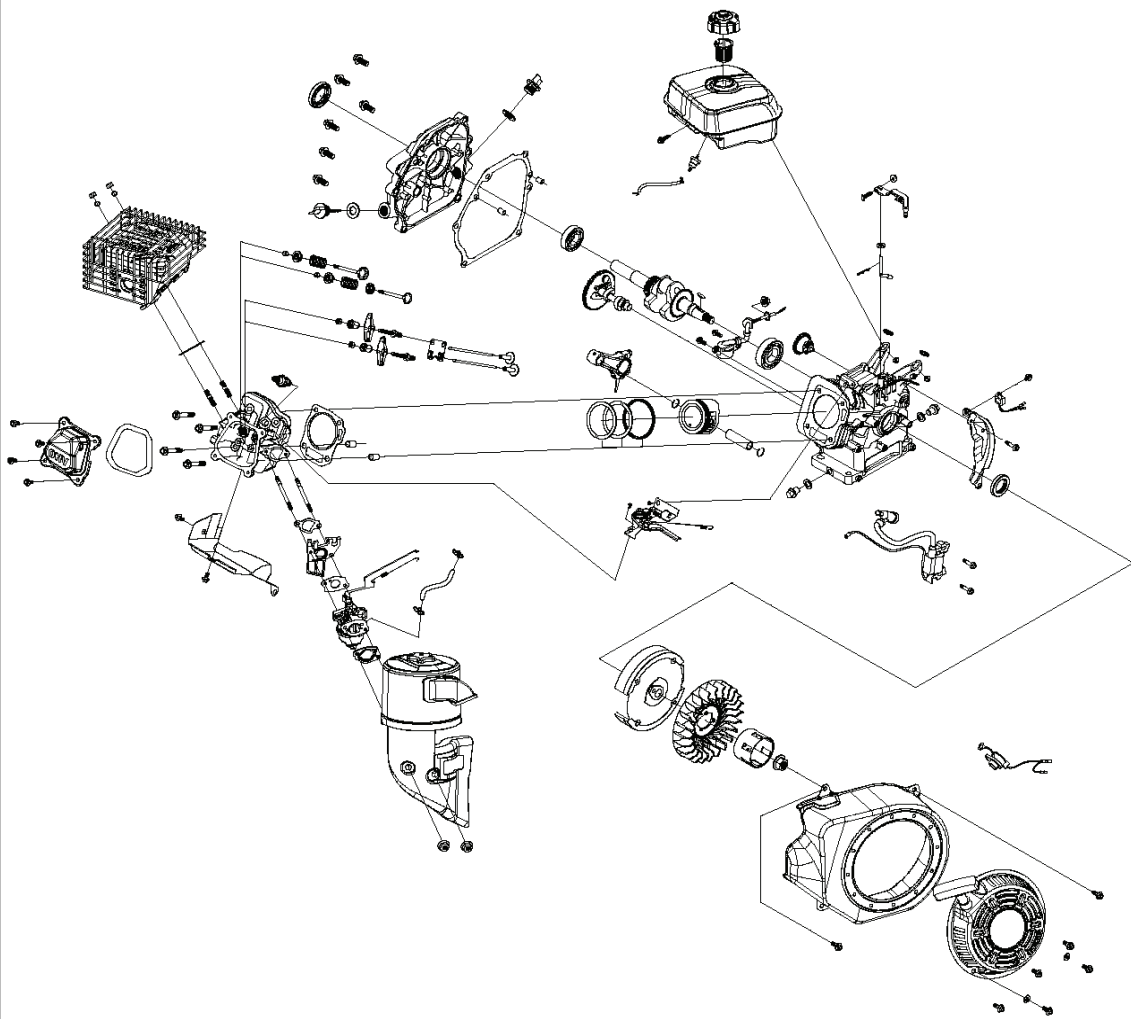


SPARE PARTS CATALOGUE
: HUSQVARNA

Spare Parts List

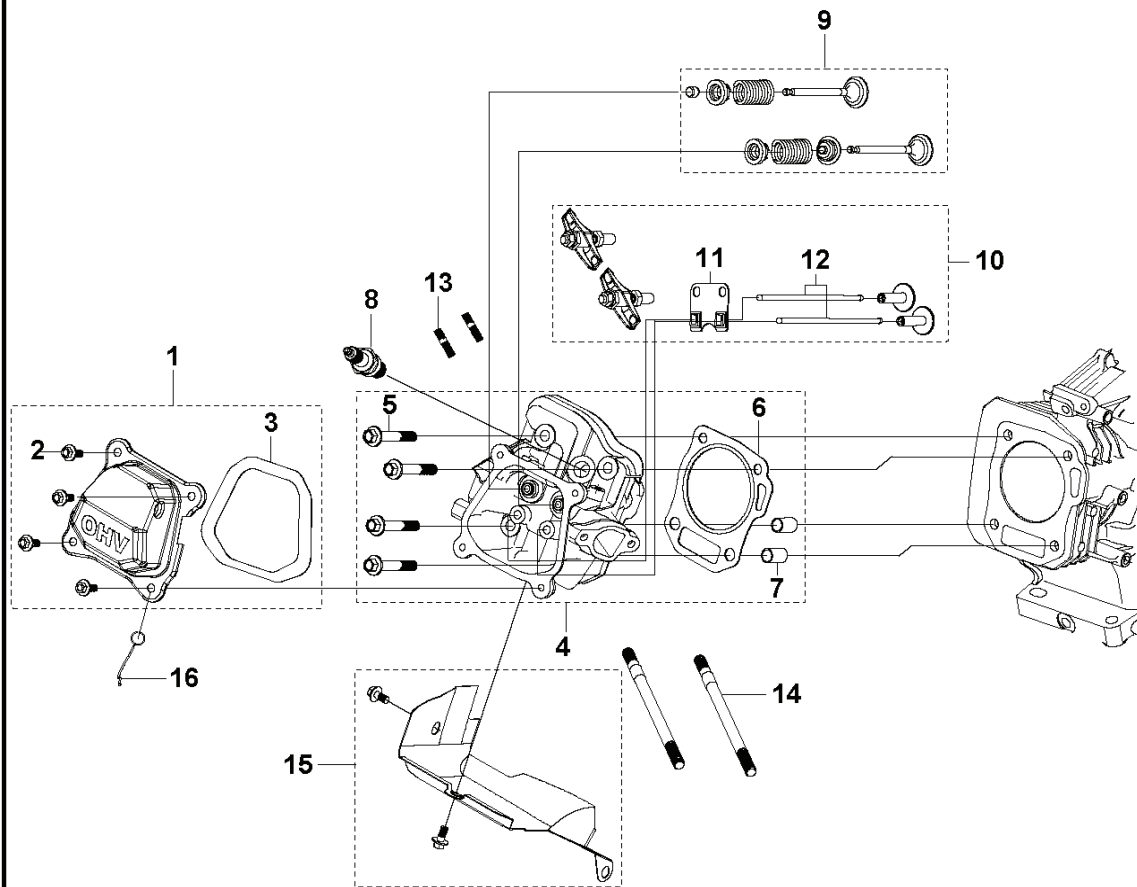
SPARE PARTS LIST

HH 196
PRODUCT COMPLETE



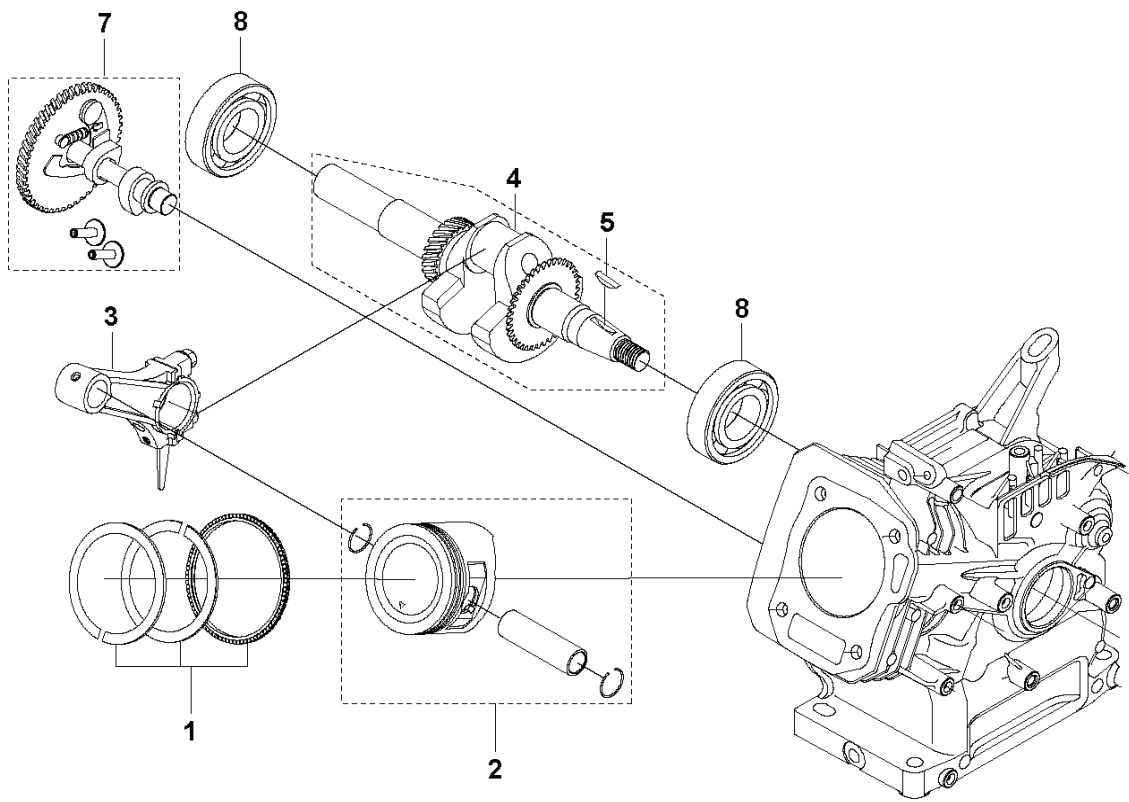
| REF. | PART NO. | DESCRIPTION | REMARK | QTY. | KIT |
|------|-----------|-------------|----------------|------|-----|
| 1 | 587981301 | ENGINE | FOR: EU/EMM/CN | 1 | |
| 1 | 587981303 | ENGINE | FOR: EU/EMM/CN | 1 | |
| 1 | 587981304 | ENGINE | FOR: EU | 1 | |
| 1 | 587981302 | ENGINE | FOR: EU | 1 | |

A HH 196
CYLINDER HEAD ASSY



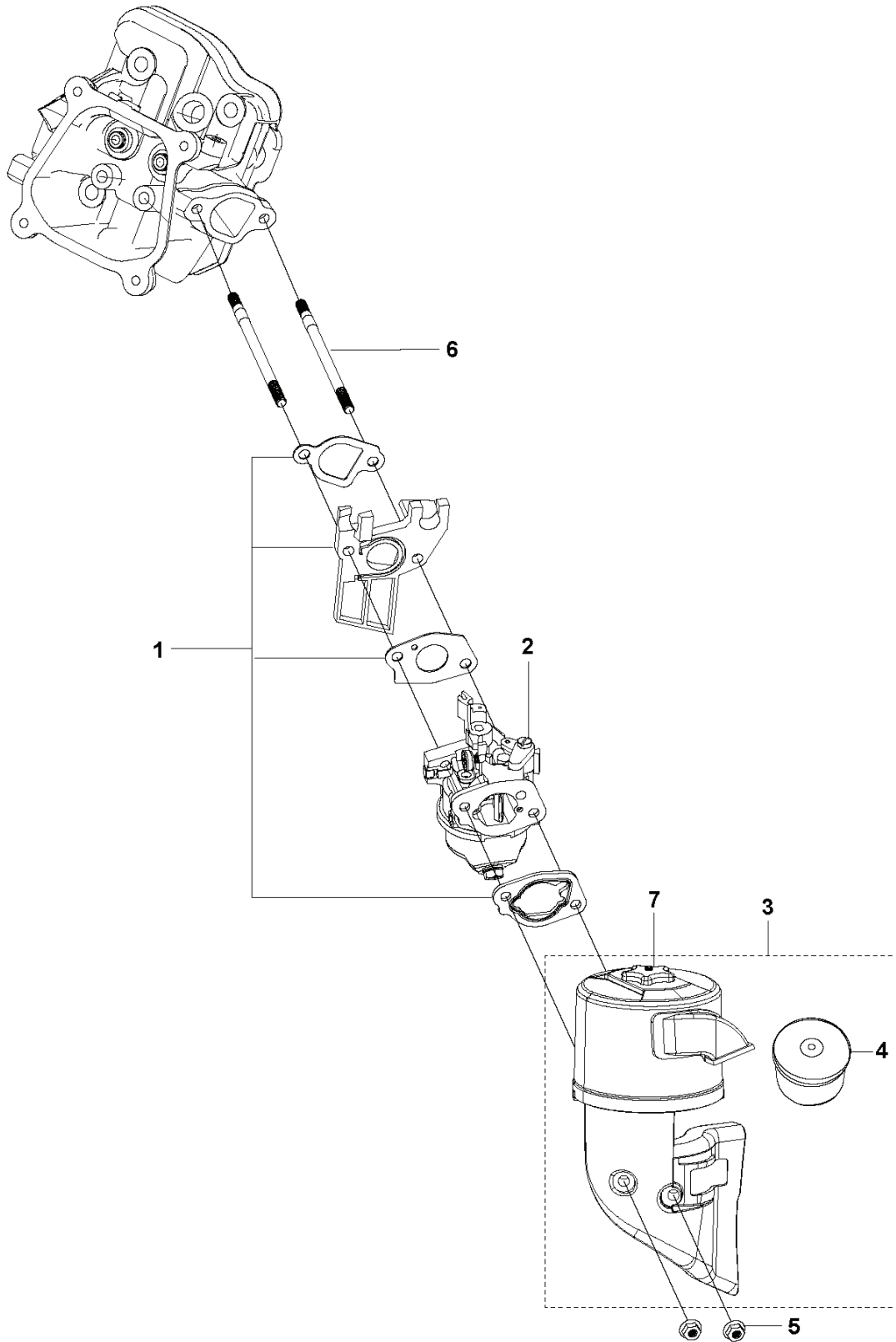
| REF. | PART NO. | DESCRIPTION | REMARK | QTY. | KIT |
|------|-----------|---------------------|--|------|-----|
| 1 | 599348571 | CYLINDER COVER ASSY | CYLINDER HEAD COVER KIT | 1 | |
| 2 | 599349093 | BOLT | GB/T 5789: M6 L=12 | 1 | |
| 3 | 587999501 | GASKET | CYLINDER HEAD COVER GASKET | 1 | |
| 4 | 531147322 | CYLINDER HEAD KIT | FOR ENGINE: 587981302, 587981304 | 1 | |
| 4 | 531147323 | CYLINDER HEAD KIT | FOR ENGINE: 587981301, 587981303 | 1 | |
| 5 | 587999601 | BOLT | T040: M8 L=60 | 1 | |
| 6 | 588000601 | GASKET | CYLINDER HEAD GASKET | 1 | |
| 7 | 588000701 | PIN | LOCATION PIN | 1 | |
| 8 | 590844201 | SPARK PLUG | HQT-7 | 1 | |
| 9 | 599348592 | VALVE KIT | FOR ENGINE: 587981301, 587981303 | 1 | |
| 9 | 531147343 | VALVE KIT | FOR ENGINE: 587981302, 587981304 | 1 | |
| 10 | 599349464 | VALVE KIT | ROCKER ARM KIT | 1 | |
| 11 | 588004401 | PLATE | PUSH ROD GUIDE PLATE | 1 | |
| 12 | 588004301 | ROD | PUSH ROD SET | 1 | |
| 13 | 587999801 | BOLT | M8 L=35 - MULTIPACK: 2 | 1 | |
| 14 | 587999901 | BOLT | M6 L=113 - MULTIPACK: 2 | 1 | |
| 15 | 599348611 | DEFLECTOR | AIR DEFLECTOR KIT | 1 | |
| 16 | 531147313 | CABLE | STOP SWITCH CABLE - FOR ENGINE: 587981301, 587981302 | 1 | |

B HH 196
PISTON & CRANKSHAFT



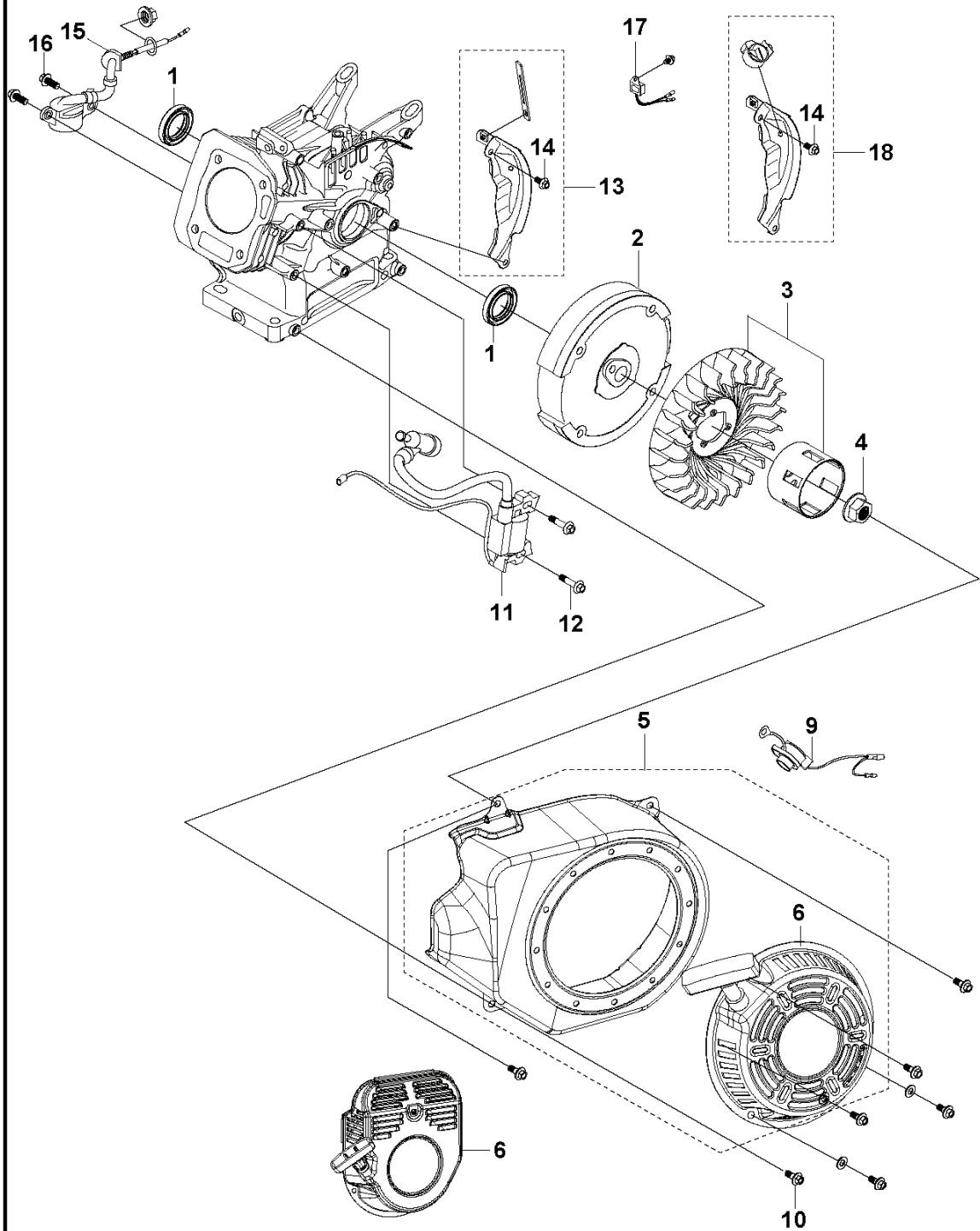
| REF. | PART NO. | DESCRIPTION | REMARK | QTY. | KIT |
|------|-----------|---------------------|---|------|-----|
| 1 | 588003601 | PISTON RING | SET - FOR ENGINE: 587981301, 587981303 | 1 | |
| 1 | 531147334 | PISTON RING | SET - FOR ENGINE: 587981302, 587981304 | 1 | |
| 2 | 531147331 | PISTON ASSY | FOR ENGINE: 587981302, 587981304 | 1 | |
| 2 | 531147332 | PISTON ASSY | FOR ENGINE: 587981301, 587981303 | 1 | |
| 3 | 599348588 | CONNECTING ROD ASSY | | 1 | |
| 4 | 588002901 | CRANKSHAFT ASSY | FOR ENGINE: 587981301, 587981302 | 1 | |
| 4 | 588014901 | CRANKSHAFT | FOR ENGINE: 587981303, 587981304 | 1 | |
| 5 | 588003001 | WOODRUFF KEY | WOODRUFF KEY 4*5.5*12.5 | 1 | |
| 7 | 599348591 | CAMSHAFT | Kit | 1 | |
| 8 | 599348578 | BALL BEARING | | 1 | |

B HH 196
CARBURETTOR & AIR FILTER



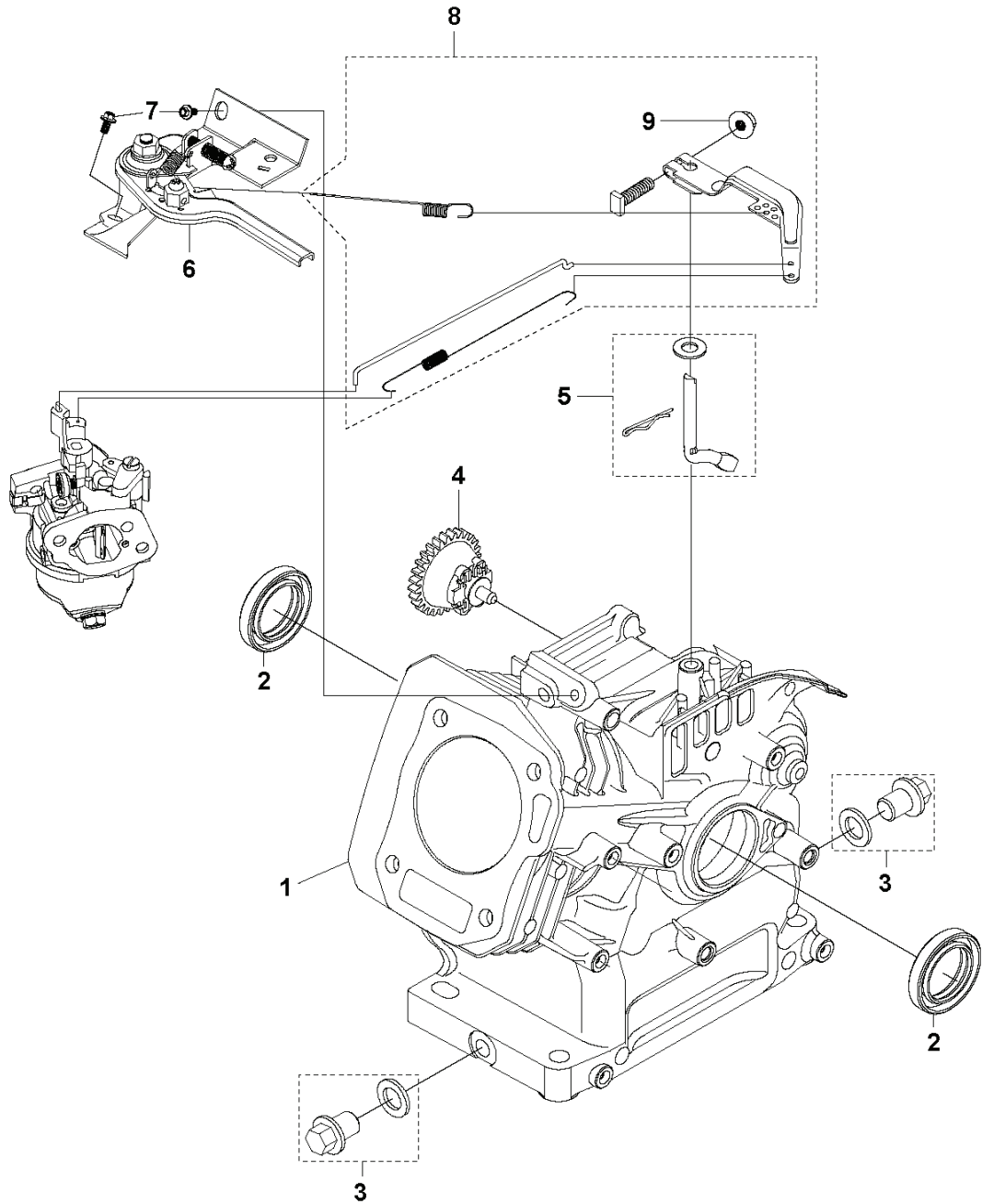
| REF. | PART NO. | DESCRIPTION | REMARK | QTY. | KIT |
|------|-----------|-----------------|-------------------------------------|------|-----|
| 1 | 599348596 | GASKET KIT | CARBURETTOR GASKET KIT | 1 | |
| 2 | 599348597 | CARBURETTOR | FOR ENGINE: 587981301, 587981302 | 1 | |
| 2 | 599349434 | CARBURETTOR | FOR ENGINE: 587981303, 587981304 | 1 | |
| 3 | 588006701 | AIR CLEANER | FOR ENGINE: 587981301, 587981302 | 1 | |
| 3 | 536626101 | AIR FILTER ASSY | FOR ENGINE: 587981303, 587981304 | 1 | |
| 4 | 590638701 | FILTER | FOR ENGINE: 587981303, 587981304 | 1 | |
| 4 | 536626001 | AIR FILTER | FOR ENGINE: 587981301, 587981302 | 1 | |
| 5 | 588007001 | NUT | GB/T 6177.1: M6 | 1 | |
| 6 | 587999901 | BOLT | M6 L=113 - MULTIPACK: 2 | 1 | |
| 7 | 599348613 | KNOB | | 1 | |

D HH 196
FLYWHEEL & IGNITION MODULE



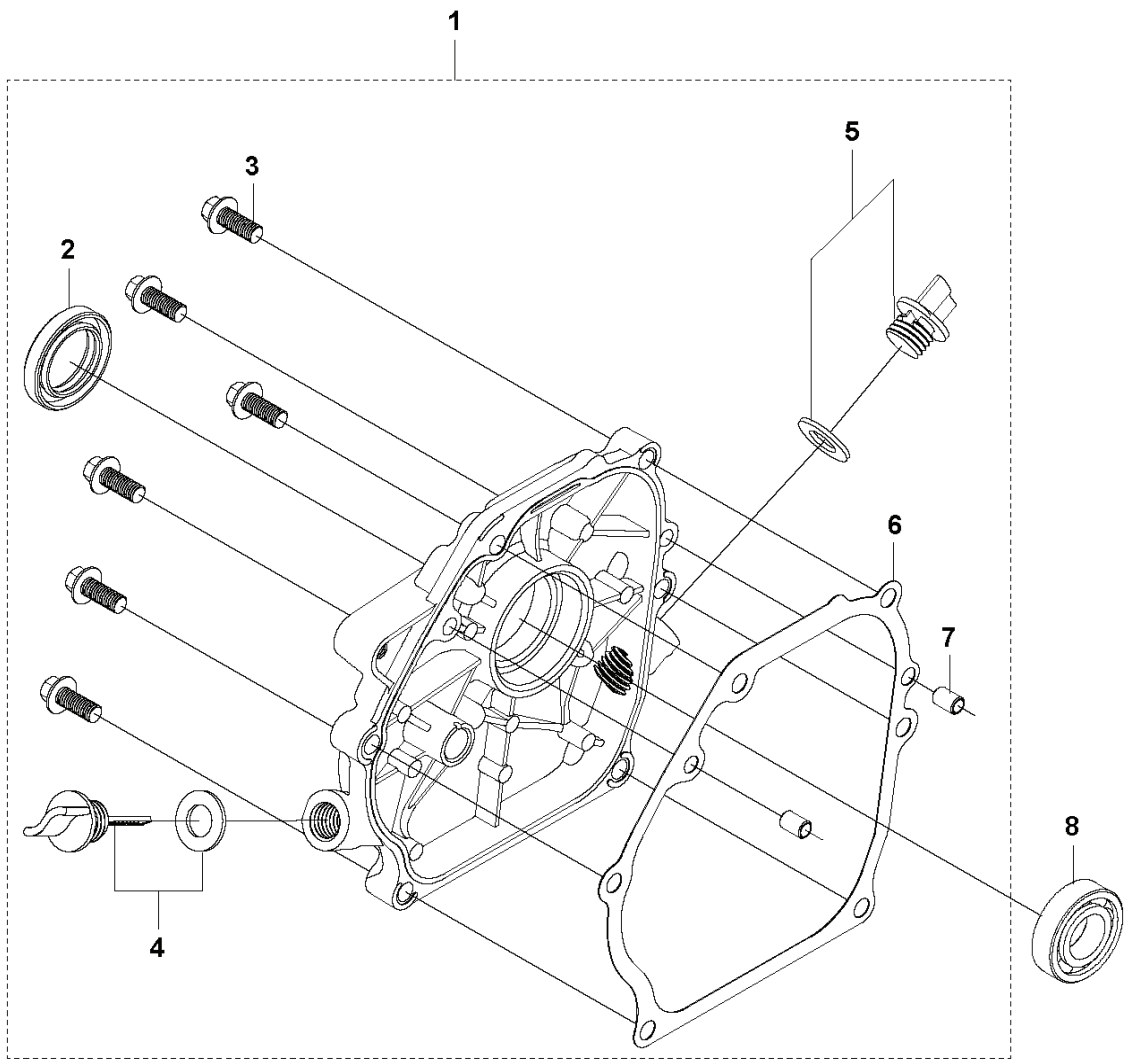
| REF. | PART NO. | DESCRIPTION | REMARK | QTY. | KIT |
|------|-----------|----------------|--|------|-----|
| 1 | 598684558 | SEAL | OIL SEAL | 1 | |
| 2 | 599348604 | FLYWHEEL | | 1 | |
| 3 | 599348602 | PULLEY ASSY | FOR ENGINE: 587981301, 587981302 | 1 | |
| 3 | 599349446 | IMPELLER | FOR ENGINE: 587981303, 587981304 | 1 | |
| 4 | 599349194 | NUT | T040: M14x1.5 | 1 | |
| 5 | 590638301 | STARTER ASSY | FOR ENGINE: 587981303, 587981304 | 1 | |
| 5 | 599348594 | STARTER ASSY | FOR ENGINE: 587981301, 587981302 | 1 | |
| 6 | 590638401 | STARTER | RECOIL STARTER - FOR ENGINE: 587981303, 587981304 | 1 | |
| 6 | 599348595 | STARTER | RECOIL STARTER - FOR ENGINE: 587981301, 587981302 | 1 | |
| 9 | 590638501 | STOP SWITCH | FOR ENGINE: 587981303, 587981304 | 1 | |
| 10 | 590831901 | BOLT | GB/T 16674.1: M6 L=12 | 1 | |
| 11 | 531147326 | IGNITION COIL | FOR ENGINE: 587981301, 587981302 | 1 | |
| 11 | 531147327 | IGNITION COIL | FOR ENGINE: 587981303, 587981304 | 1 | |
| 12 | 588008201 | BOLT | GB/T 5789: M6 L=22 | 1 | |
| 13 | 599348612 | CRANKCASE ASSY | SIDE PLATE - FOR ENGINE: 587981301, 587981302 | 1 | |
| 14 | 599349093 | BOLT | GB/T 5789: M6 L=12 | 1 | |
| 15 | 590637701 | SENSOR | OIL LEVEL SENSOR - FOR ENGINE: 587981303, 587981304 | 1 | |
| 16 | 590637801 | BOLT | GB/T 16674.1: M6 L=14 - FOR ENGINE: 587981303, 587981304 | 1 | |
| 17 | 590638901 | CONDUCTOR | FOR ENGINE: 587981303, 587981304 | 1 | |
| 18 | 599349453 | PLATE | SIDE PLATE - FOR ENGINE: 587981303, 587981304 | 1 | |

E HH 196
GOVERNOR



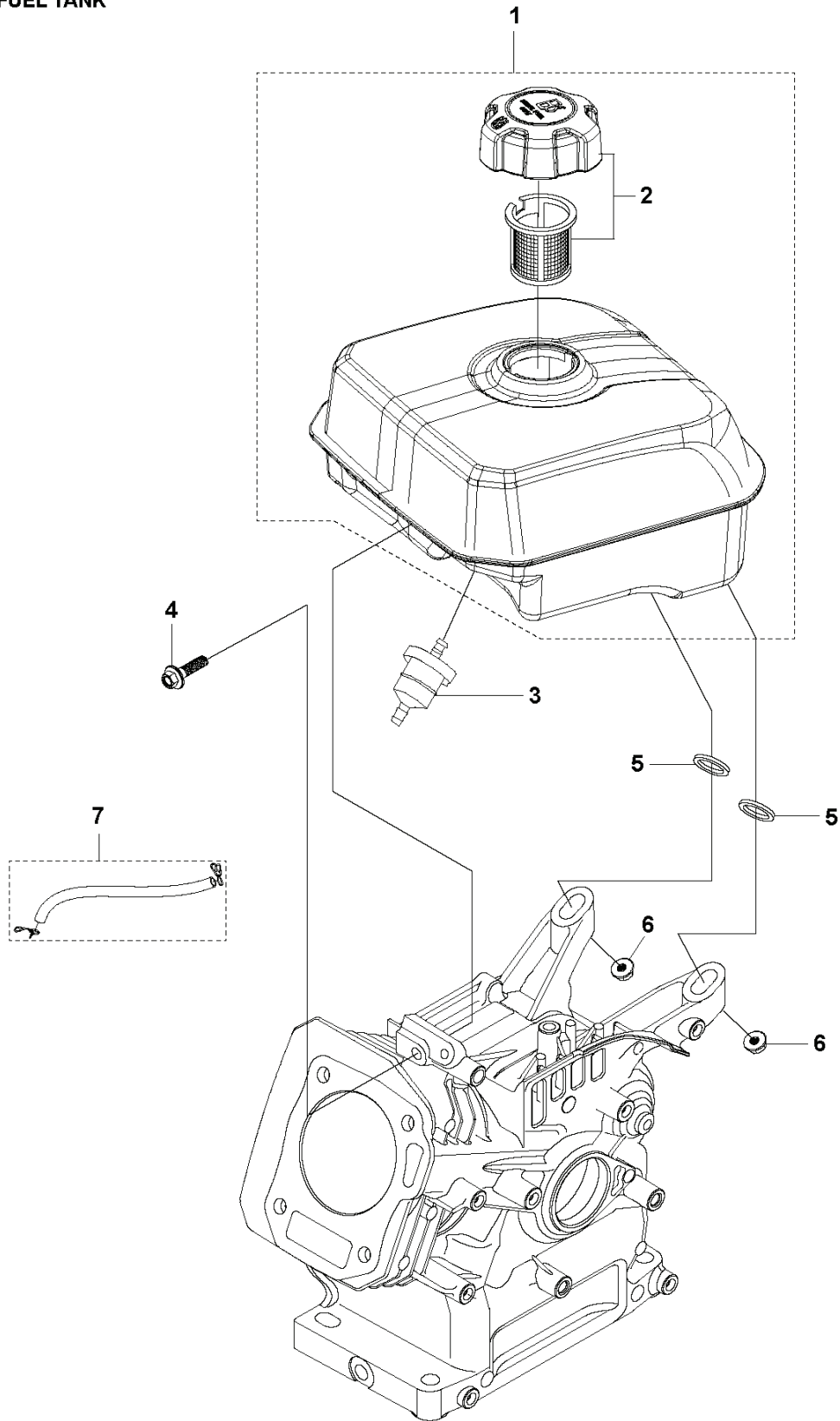
| REF. | PART NO. | DESCRIPTION | REMARK | QTY. | KIT |
|------|-----------|----------------|-------------------------------------|------|-----|
| 1 | 588000801 | CRANKCASE | FOR ENGINE: 587981303, 587981304 | 1 | |
| 1 | 589909501 | CRANKCASE ASSY | FOR ENGINE: 587981301, 587981302 | 1 | |
| 2 | 598684558 | SEAL | OIL SEAL | 1 | |
| 3 | 599348576 | SCREW KIT | | 1 | |
| 4 | 588001301 | GOVERNOR | GOVERNOR GEAR | 1 | |
| 5 | 599349426 | ARM | SPEED REGULATING ARM KIT | 1 | |
| 6 | 588007601 | CONTROL | | 1 | |
| 7 | 599349093 | BOLT | GB/T 5789: M6 L=12 | 1 | |
| 8 | 599348599 | GOVERNOR KIT | | 1 | |
| 9 | 588007001 | NUT | GB/T 6177.1: M6 | 1 | |

F HH 196
CRANKCASE COVER



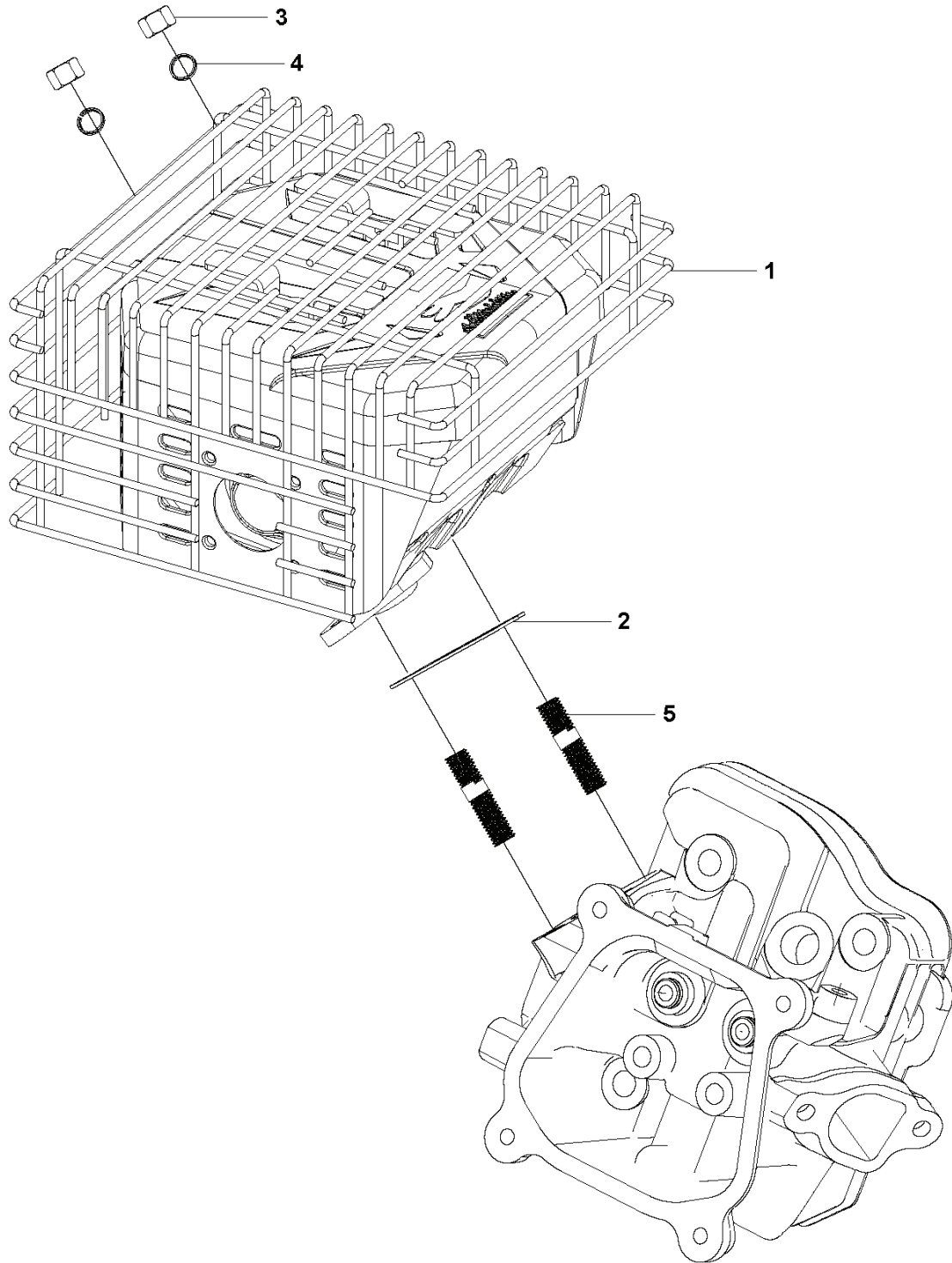
| REF. | PART NO. | DESCRIPTION | REMARK | QTY. | KIT |
|------|-----------|----------------|------------------------|------|-----|
| 1 | 599348581 | CRANKCASE ASSY | CRANKCASE COVER | 1 | |
| 2 | 598684558 | SEAL | OIL SEAL | 1 | |
| 3 | 589911601 | BOLT | GB/T 16674.1: M8 L=32 | 1 | |
| 4 | 588002401 | DIPSTICK | | 1 | |
| 5 | 588002101 | PLUG | | 1 | |
| 6 | 588002701 | GASKET | CRANKCASE COVER GASKET | 1 | |
| 7 | 588002801 | PIN | LOCATION PIN | 1 | |
| 8 | 599348578 | BALL BEARING | | 1 | |

G HH 196
FUEL TANK



| REF. | PART NO. | DESCRIPTION | REMARK | QTY. | KIT |
|------|-----------|----------------|-------------------------------------|------|-----|
| 1 | 599349442 | FUEL TANK ASSY | FOR ENGINE: 587981303, 587981304 | 1 | |
| 1 | 531147324 | FUEL TANK ASSY | FOR ENGINE: 587981301, 587981302 | 1 | |
| 2 | 599348607 | FUEL CAP | | 1 | |
| 3 | 599348609 | FUEL FILTER | | 1 | |
| 4 | 589932201 | BOLT | GB/T 16674.1:M6 L=30 | 1 | |
| 5 | 588014001 | WASHER | | 1 | |
| 6 | 588007001 | NUT | GB/T 6177.1:M6 | 1 | |
| 7 | 599348608 | FUEL HOSE | FOR ENGINE: 587981303, 587981304 | 1 | |
| 7 | 531147341 | TUBE | FOR ENGINE: 587981301, 587981302 | 1 | |

H HH 196
EXHAUST



| REF. | PART NO. | DESCRIPTION | REMARK | QTY. | KIT |
|------|-----------|--------------|-------------------------------------|------|-----|
| 1 | 588008701 | MUFFLER | FOR ENGINE: 587981301, 587981302 | 1 | |
| 1 | 590820501 | MUFFLER ASSY | FOR ENGINE: 587981303, 587981304 | 1 | |
| 2 | 599348606 | GASKET | Muffler Gasket | 1 | |
| 3 | 599349195 | NUT | GB/T 6170: M8 | 1 | |
| 4 | 588009201 | WASHER | | 1 | |
| 5 | 587999801 | BOLT | M8 L=35 - MULTIPACK: 2 | 1 | |