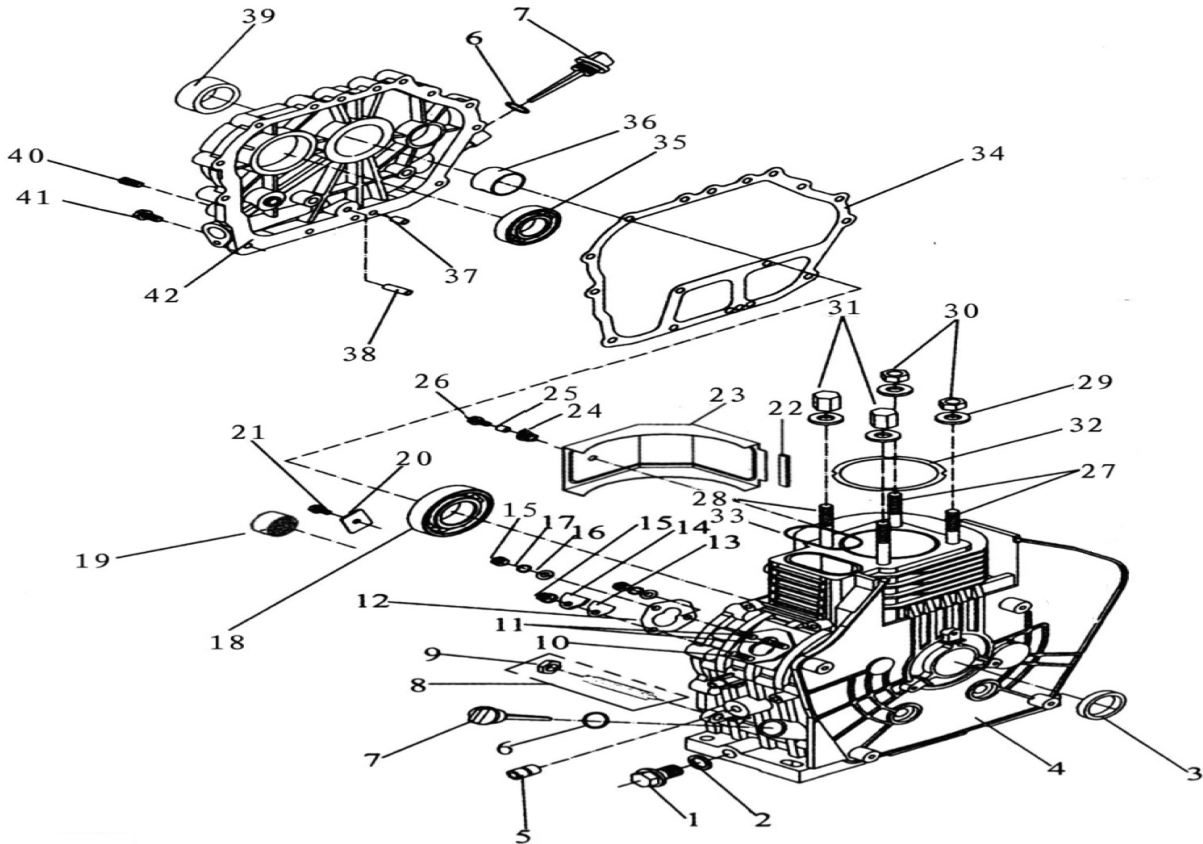




SPARE PARTS LIST

CULTIVATORS/TILLERS

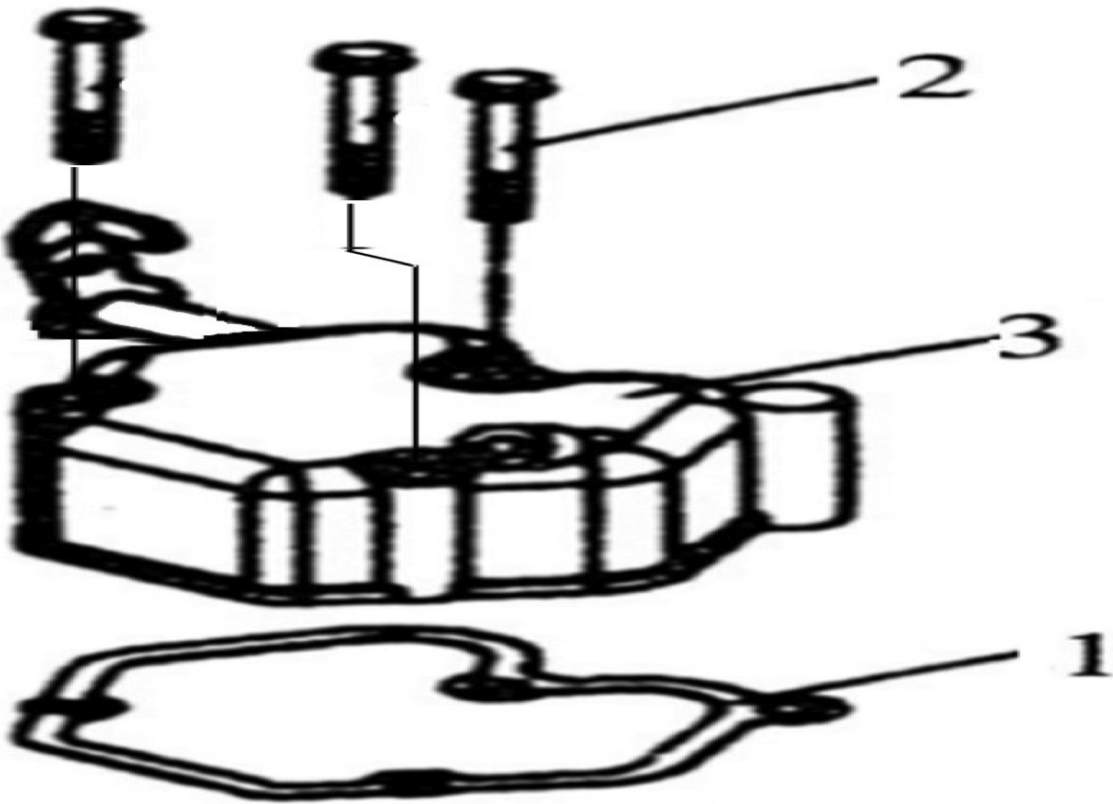
TF 545DE, 967967701, 2019-03



CYLINDER

TF 545DE, 967967701, 2019-03

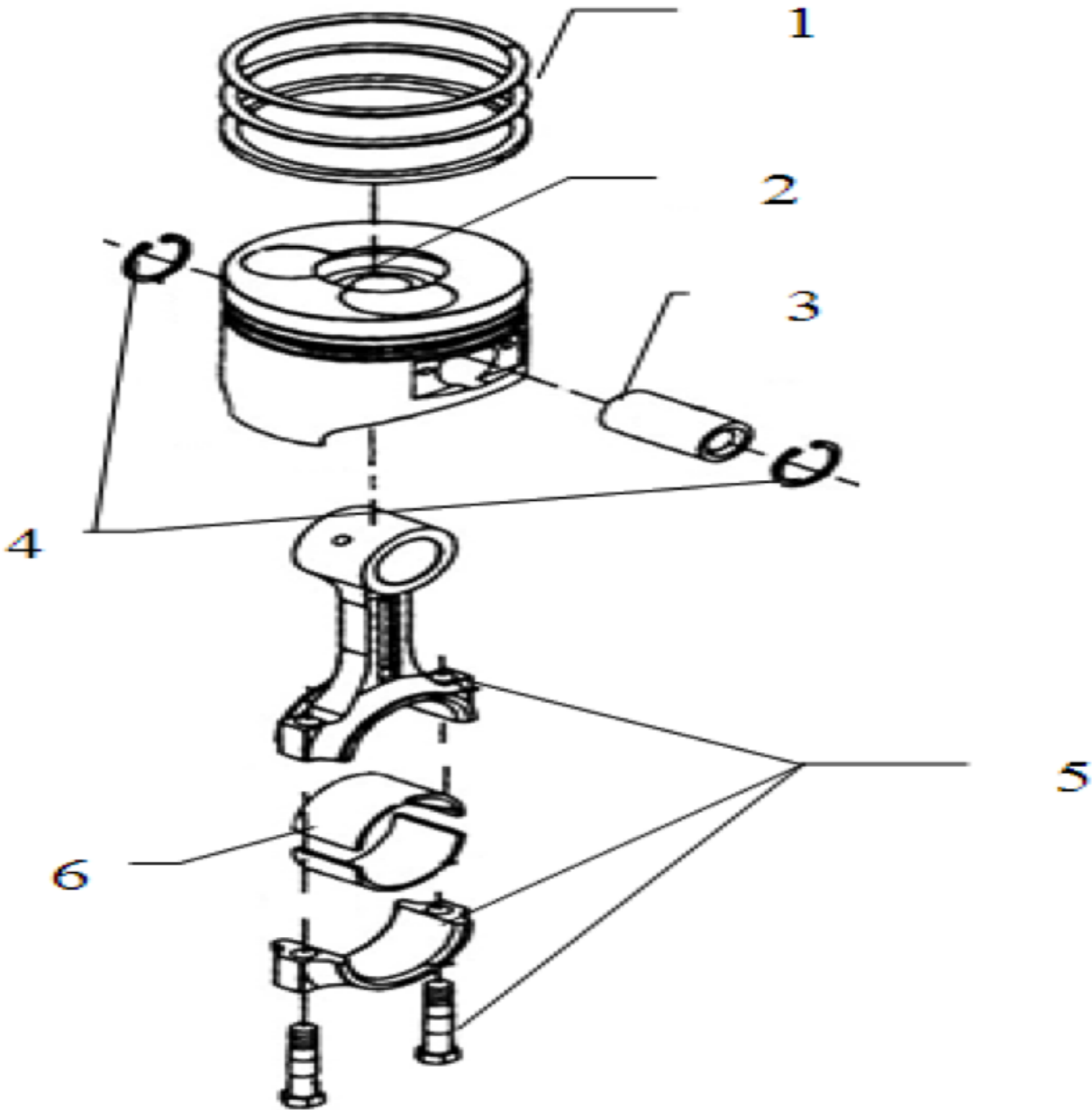
| Ref | Part No | Description | Remark | QTY KIT |
|-----|--------------|----------------|---------|---------|
| 1 | 588 46 73-01 | PLUG | | 1 |
| 2 | 588 46 75-01 | SEAL | | 1 |
| 3 | 588 46 76-01 | SEAL | | 1 |
| 4 | 588 46 77-01 | BLOCK | | 1 |
| 5 | 588 46 78-01 | NEEDLE BEARING | | 2 |
| 6 | 588 46 79-01 | O-RING | | 2 |
| 7 | 588 46 80-01 | PIN | | 2 |
| 8/9 | 588 46 83-01 | FUEL GAUGE | | 1 |
| 10 | 588 46 84-01 | STUD | AM6_30 | 1 |
| 11 | 588 46 85-01 | STUD | AM6_40 | 2 |
| 12 | 588 46 86-01 | GASKET | | 1 |
| 13 | 588 46 87-01 | SEAL | | 1 |
| 14 | 588 46 88-01 | SEAL | | 1 |
| 15 | 588 46 89-01 | NUT | M6 | 3 |
| 16 | 588 46 90-01 | WASHER | | 2 |
| 17 | 588 46 91-01 | SPRING WASHER | | 2 |
| 18 | 588 46 93-01 | BALL BEARING | | 1 |
| 19 | 588 46 94-01 | NEEDLE BEARING | | 1 |
| 20 | 588 46 96-01 | RETAINER | | 1 |
| 21 | 588 46 98-01 | BOLT | M8x16 | 1 |
| 22 | 588 47 00-01 | PAD | | 1 |
| 23 | 588 47 01-01 | COVER | | 1 |
| 24 | 588 47 15-01 | ISOLATOR | | 1 |
| 25 | 588 47 16-01 | PAD | | 1 |
| 26 | 588 47 17-01 | BOLT | M6_20 | 1 |
| 27 | 588 47 19-01 | STUD | M10x105 | 2 |
| 28 | 588 47 20-01 | STUD | M10x118 | 2 |
| 29 | 588 47 21-01 | WASHER | | 4 |
| 30 | 588 47 22-01 | NUT | | 2 |
| 31 | 588 47 23-01 | NUT | | 2 |
| 32 | 588 47 24-01 | SHIM | | 1 |
| 33 | 588 47 25-01 | RING | | 1 |
| 34 | 588 47 26-01 | GASKET | | 1 |
| 35 | 588 47 27-01 | BALL BEARING | | 1 |
| 36 | 588 47 28-01 | BEARING | | 1 |
| 37 | 588 47 29-01 | PIN | 8_12 | 2 |
| 38 | 588 47 30-01 | INDICATOR | Oil | 1 |
| 39 | 588 47 31-01 | SEAL | | 1 |
| 40 | 588 47 32-01 | PLUG | | 1 |
| 41 | 588 47 33-01 | BOLT | M8_33.5 | 16 |
| 42 | 588 47 34-01 | COVER | | 1 |



BONNET

TF 545DE, 967967701, 2019-03

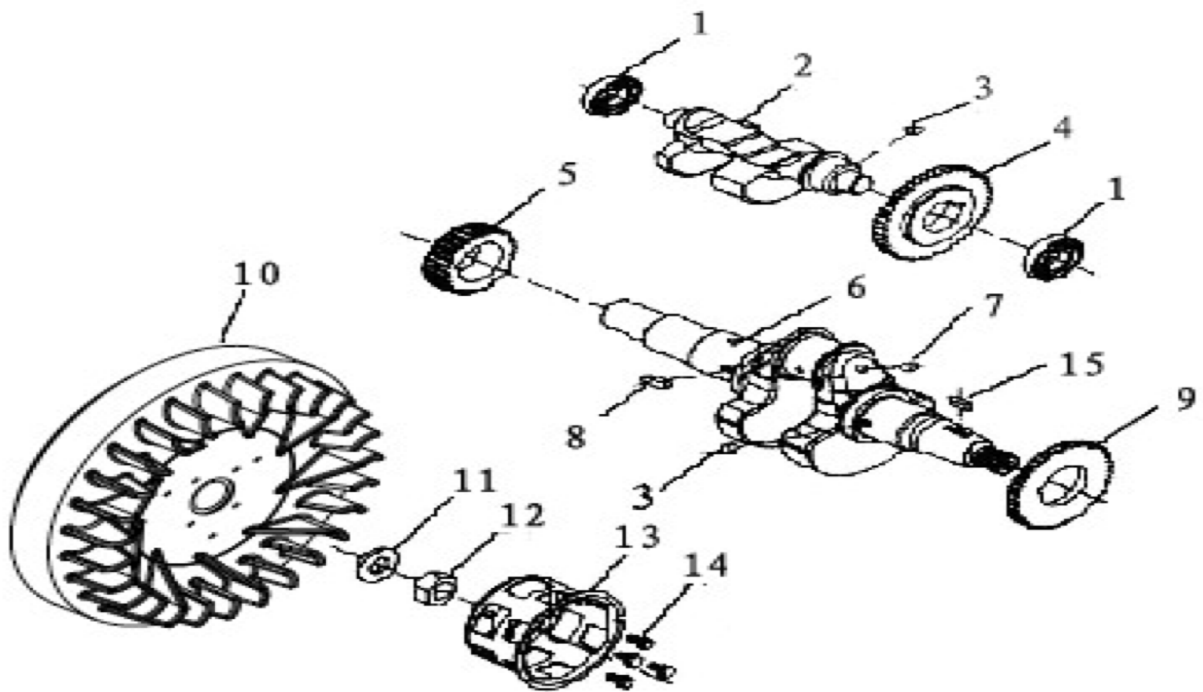
| Ref | Part No | Description | Remark | QTY KIT |
|-----|--------------|-------------|--------|---------|
| 1 | 588 48 28-01 | GASKET | | 1 |
| 2 | 588 48 29-01 | BOLT | M6x70 | 3 |
| 3 | 588 48 30-01 | CAP | | 3 |



PISTON & CRANKSHAFT

TF 545DE, 967967701, 2019-03

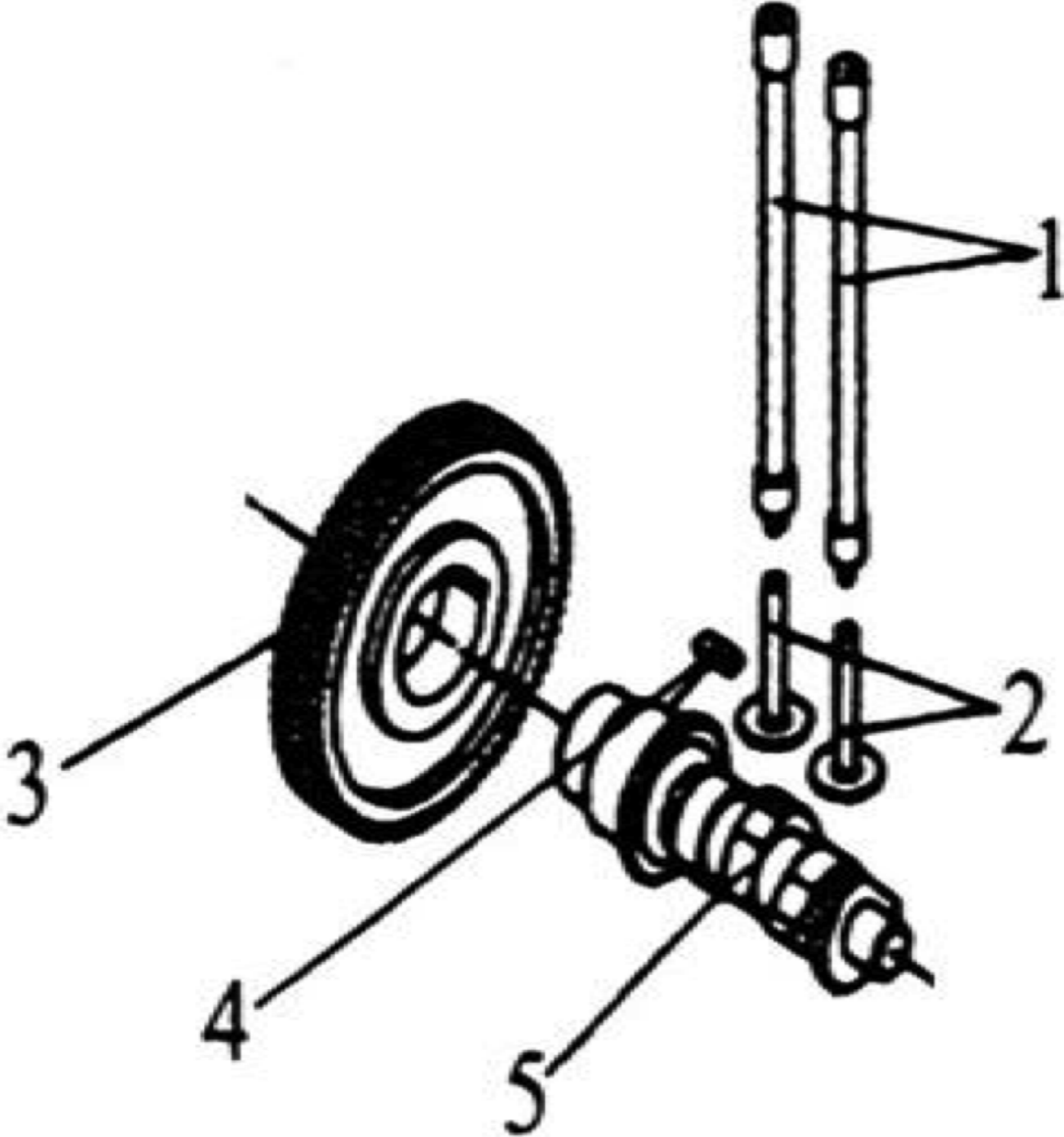
| Ref | Part No | Description | Remark | QTY KIT |
|-----|--------------|----------------|--------|---------|
| 1 | 588 48 31-01 | PISTON RING | | 1 |
| 2 | 588 48 32-01 | PISTON | | 1 |
| 3 | 588 48 33-01 | PISTON PIN | | 1 |
| 4 | 588 48 34-01 | WASHER | | 2 |
| 5 | 588 48 35-01 | CONNECTING ROD | | 1 |
| 6 | 588 48 36-01 | BEARING | | 2 |



IGNITION SYSTEM

TF 545DE, 967967701, 2019-03

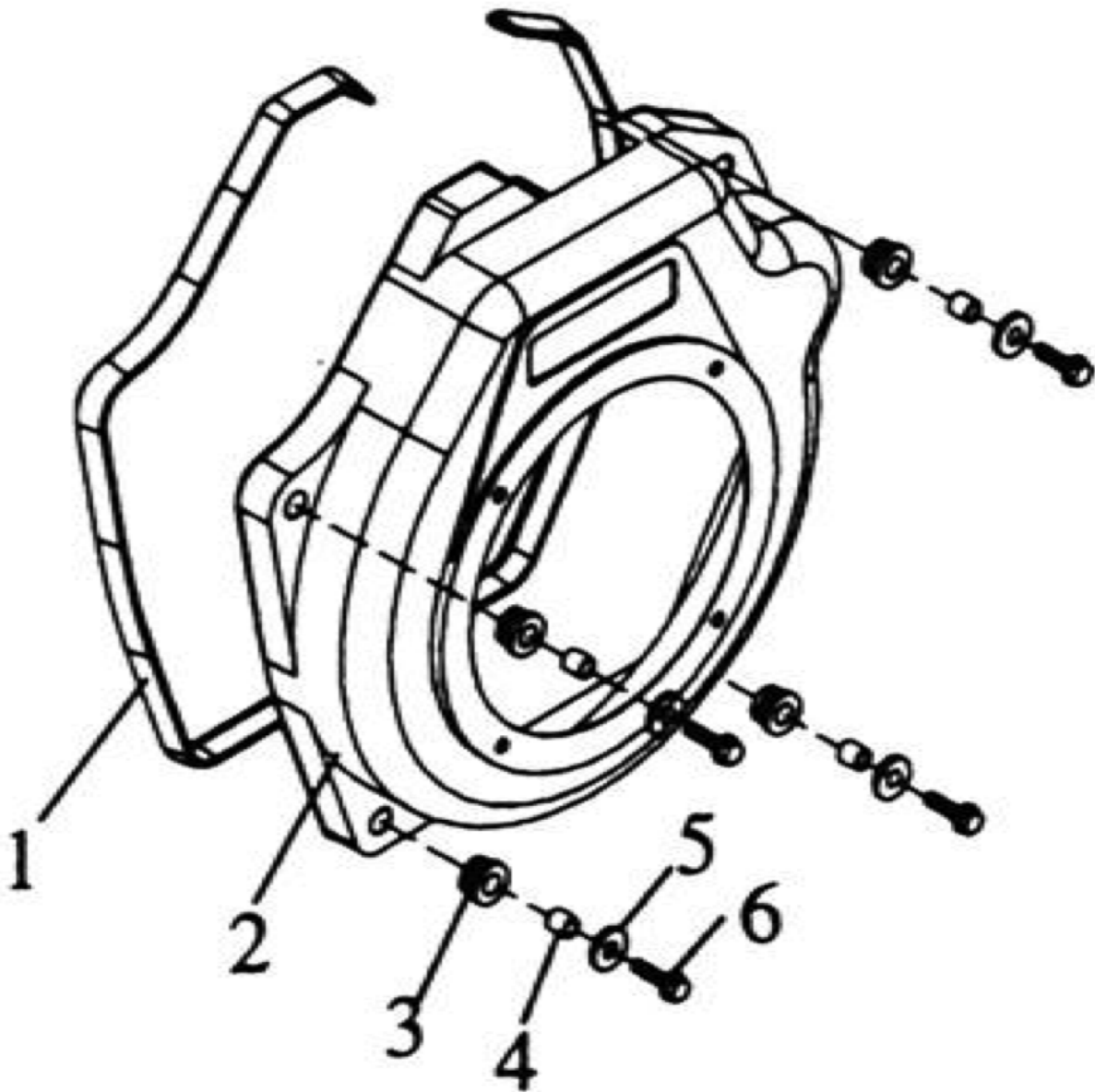
| Ref | Part No | Description | Remark | QTY KIT |
|-----|--------------|----------------|--------|---------|
| 1 | 588 48 37-01 | BALL BEARING | | 2 |
| 2 | 588 48 38-01 | SHAFT | | 1 |
| 3 | 588 48 39-01 | KEY | 5_7 | 2 |
| 4 | 588 48 40-01 | GEAR WHEEL | | 1 |
| 5 | 588 48 41-01 | GEAR WHEEL | | 1 |
| 6 | 588 48 78-01 | CRANKSHAFT | | 1 |
| 7 | 588 48 79-01 | BALL | | 1 |
| 8 | 588 48 80-01 | KEY | 5_12 | 1 |
| 9 | 588 48 81-01 | GEAR WHEEL | | 1 |
| 10 | 588 48 82-01 | FLYWHEEL | | 1 |
| 11 | 588 48 83-01 | NUT WASHER | | 1 |
| 12 | 588 48 84-01 | NUT | | 1 |
| 13 | 588 48 86-01 | STARTER PULLEY | | 1 |
| 14 | 588 48 88-01 | BOLT | M6_12 | 4 |
| 15 | 588 49 77-01 | KEY | 5_14 | 1 |



GEAR BOX

TF 545DE, 967967701, 2019-03

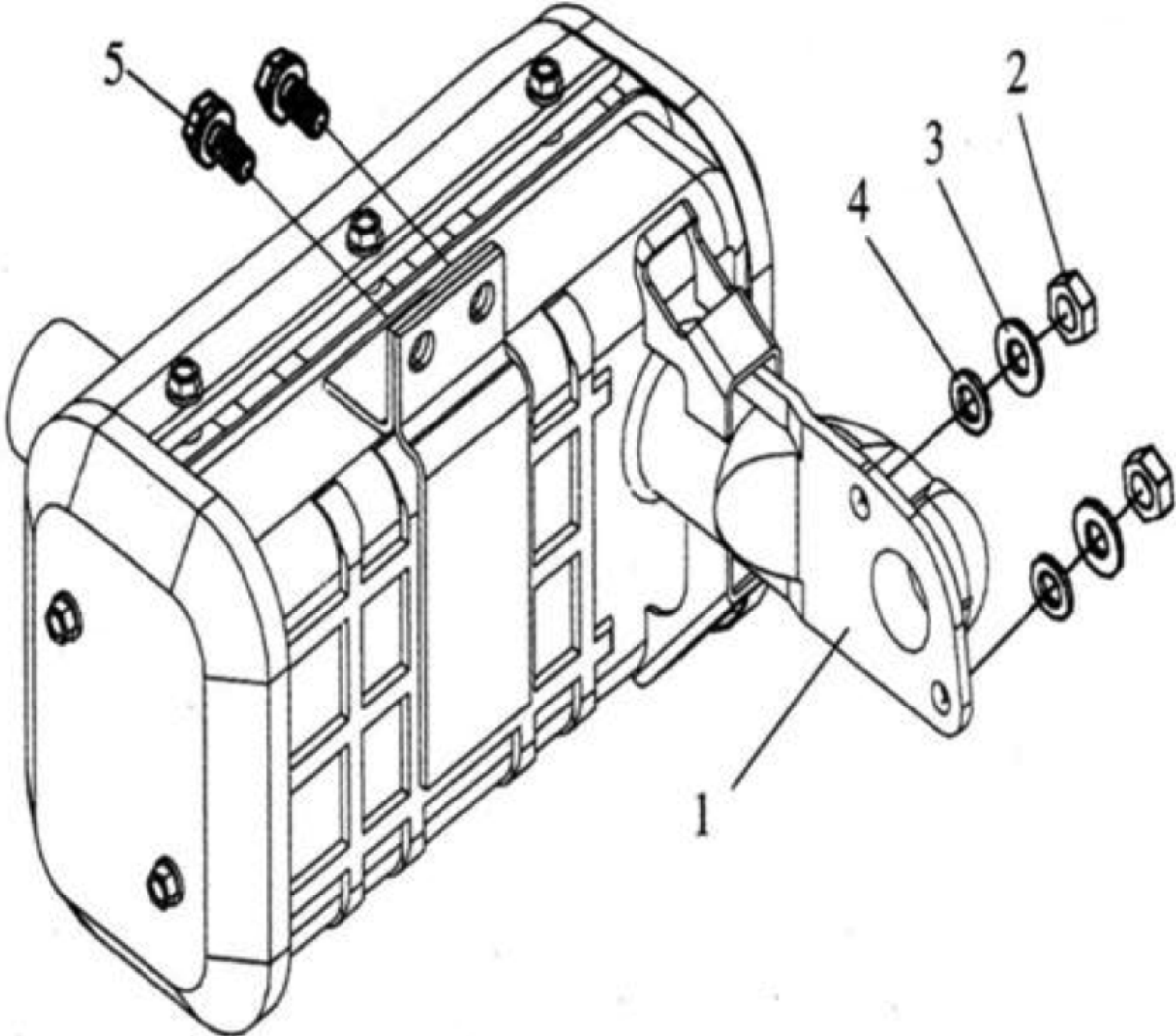
| Ref | Part No | Description | Remark | QTY KIT |
|-----|--------------|-------------|--------|---------|
| 1 | 588 48 89-01 | ROD | | 2 |
| 2 | 588 48 90-01 | VALVE | | 2 |
| 3 | 588 48 92-01 | GEAR WHEEL | | 1 |
| 4 | 588 48 80-01 | KEY | 5_12 | 1 |
| 5 | 588 48 93-01 | CAMSHAFT | | 1 |



COVER

TF 545DE, 967967701, 2019-03

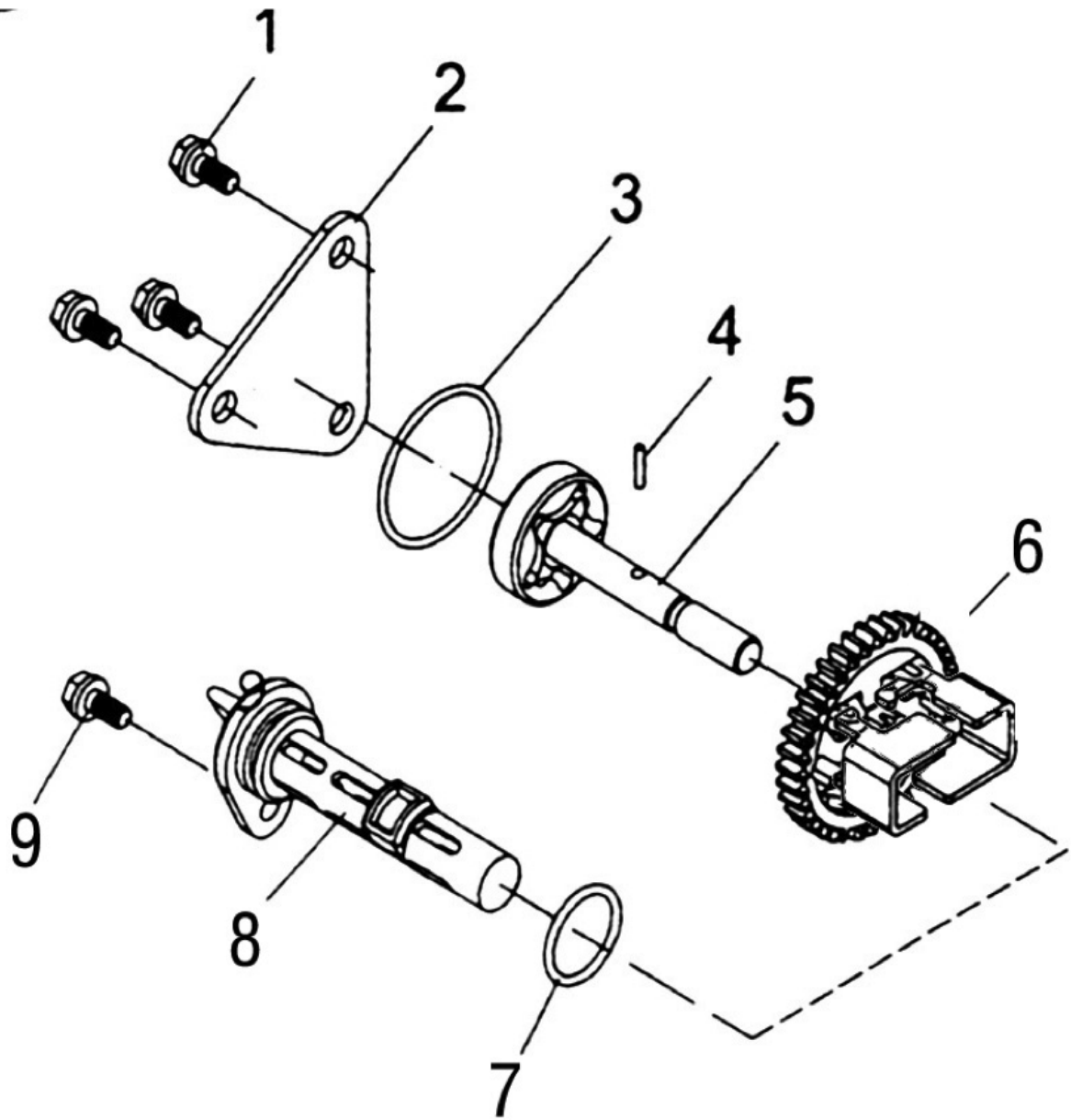
| Ref | Part No | Description | Remark | QTY KIT |
|-----|--------------|-------------|--------|---------|
| 1 | 588 49 11-01 | GASKET | | 1 |
| 2 | 588 48 95-01 | CASE | | 1 |
| 3 | 588 48 96-01 | ABSORBER | | 4 |
| 4 | 588 48 98-01 | COLLAR | | 4 |
| 5 | 588 49 00-01 | WASHER | | 4 |
| 6 | 588 48 77-01 | BOLT | M6_25 | 4 |



MUFFLER

TF 545DE, 967967701, 2019-03

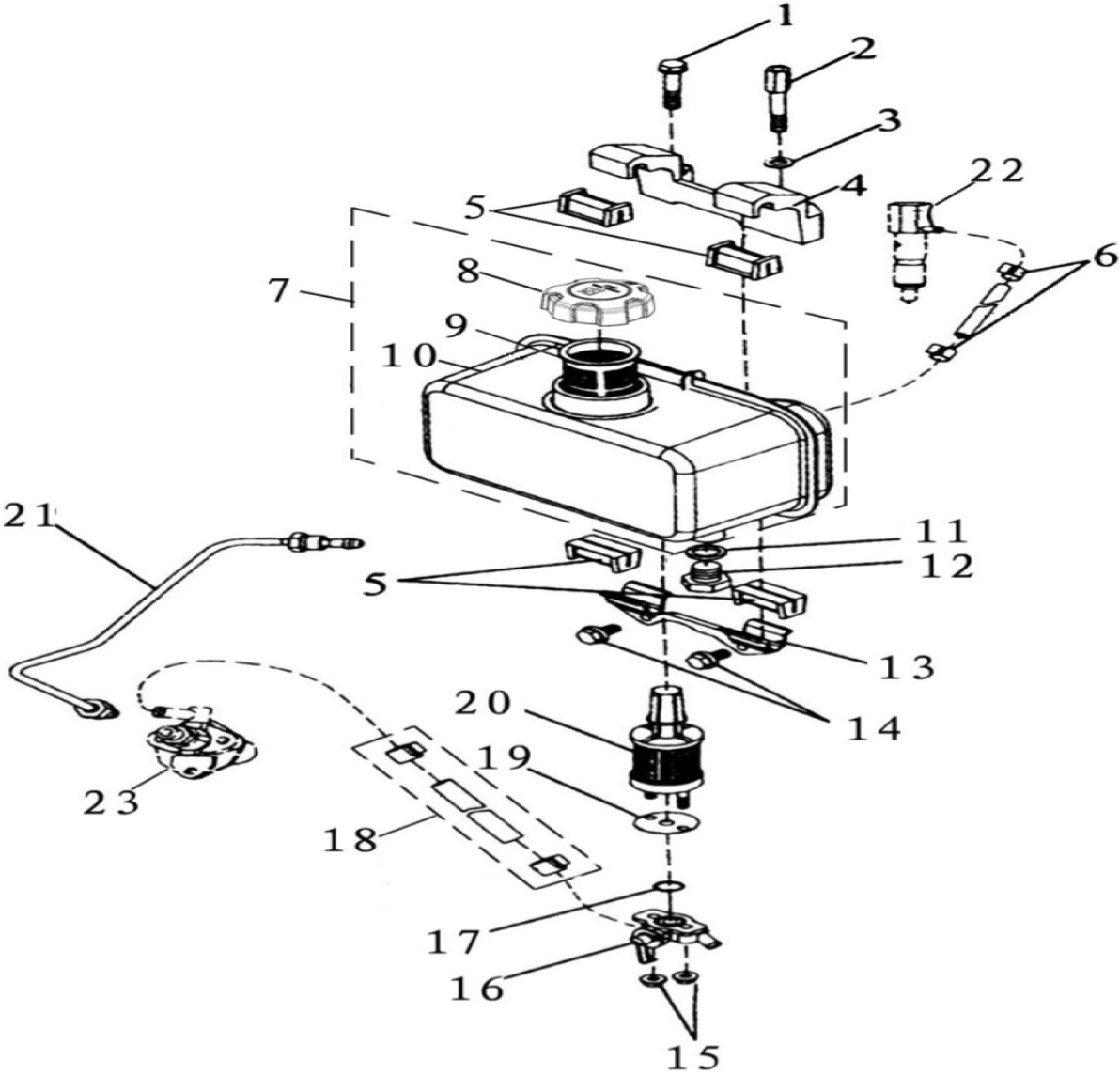
| Ref | Part No | Description | Remark | QTY KIT |
|-----|--------------|---------------|--------|---------|
| 1 | 588 49 13-01 | MUFFLER | | 1 |
| 2 | 588 49 14-01 | NUT | | 2 |
| 3 | 588 49 15-01 | SPRING WASHER | | 2 |
| 4 | 588 49 16-01 | WASHER | | 2 |
| 5 | 588 46 98-01 | BOLT | M8x16 | 2 |



OIL PUMP

TF 545DE, 967967701, 2019-03

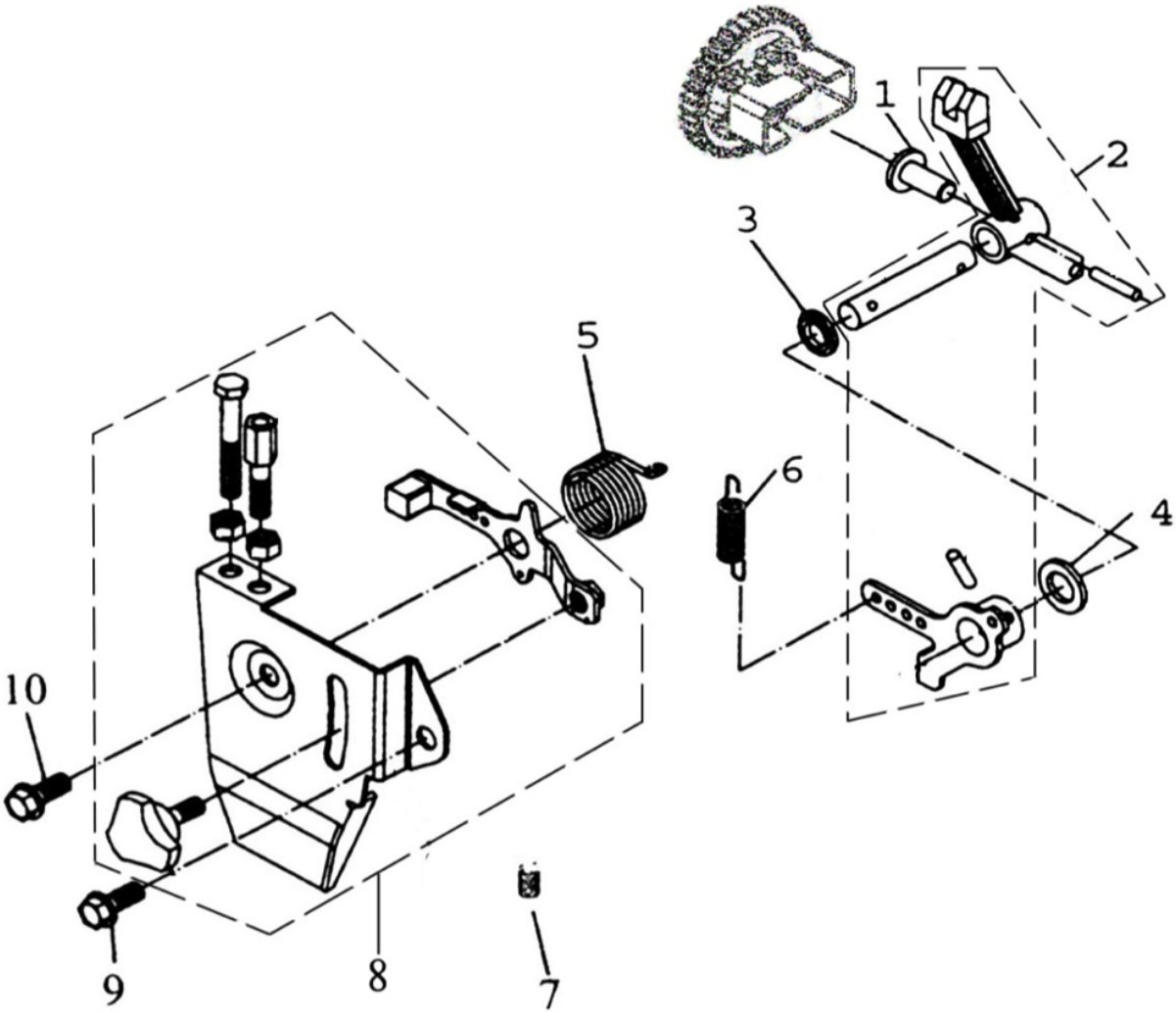
| Ref | Part No | Description | Remark | QTY KIT |
|-----|--------------|-------------|--------|---------|
| 1 | 588 48 88-01 | BOLT | M6_12 | 3 |
| 2 | 588 49 17-01 | COVER | | 1 |
| 3 | 588 49 18-01 | O-RING | | 1 |
| 4 | 588 49 19-01 | PIN | | 1 |
| 5 | 588 49 20-01 | OIL PUMP | | 1 |
| 6 | 588 49 78-01 | GEAR WHEEL | | 1 |
| 7 | 588 46 79-01 | O-RING | | 1 |
| 8 | 588 49 21-01 | OIL FILTER | | 1 |
| 9 | 588 49 22-01 | BOLT | M6_14 | 1 |



FUEL TANK

TF 545DE, 967967701, 2019-03

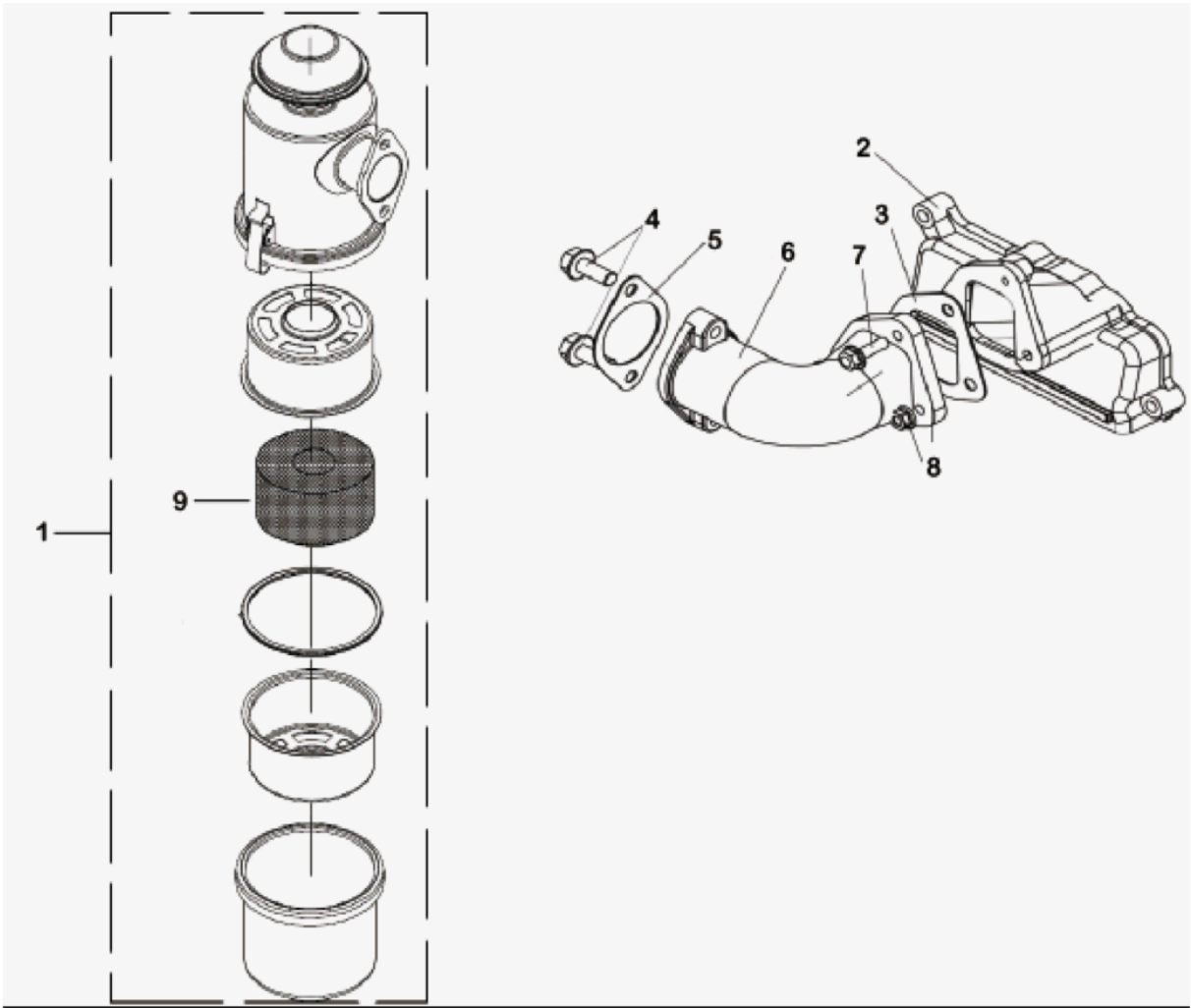
| Ref | Part No | Description | Remark | QTY KIT |
|-----|--------------|---------------|--------|---------|
| 1 | 588 48 21-01 | BOLT | M8x45 | 1 |
| 2 | 588 49 23-01 | BOLT | | 1 |
| 3 | 588 49 16-01 | WASHER | | 1 |
| 4 | 588 49 24-01 | BRACKET | | 1 |
| 5 | 588 49 29-01 | DAMPER | | 4 |
| 6 | 588 49 30-01 | PIPE | | 1 |
| 7 | 588 49 41-01 | FUEL TANK | | 1 |
| 8 | 588 49 42-01 | CAP | | 1 |
| 9 | 588 49 43-01 | FUEL FILTER | | 1 |
| 10 | 588 60 82-01 | FUEL TANK | | 1 |
| 11 | 588 49 31-01 | GASKET | | 1 |
| 12 | 588 49 32-01 | PLUG | | 1 |
| 13 | 588 49 34-01 | BRACKET | | 1 |
| 14 | 588 49 22-01 | BOLT | M6_14 | 2 |
| 15 | 588 46 89-01 | NUT | M6 | 2 |
| 16 | 588 49 35-01 | TAP | | 1 |
| 17 | 588 49 36-01 | O-RING | | 1 |
| 18 | 588 49 37-01 | PIPE | | 1 |
| 19 | 588 49 38-01 | GASKET | | 1 |
| 20 | 588 49 39-01 | FUEL FILTER | | 1 |
| 21 | 588 49 40-01 | PIPE | | 1 |
| 22 | 588 49 79-01 | INJECTOR ASSY | | 1 |
| 23 | 588 49 80-01 | FUEL PUMP | | 1 |



CONTROLS

TF 545DE, 967967701, 2019-03

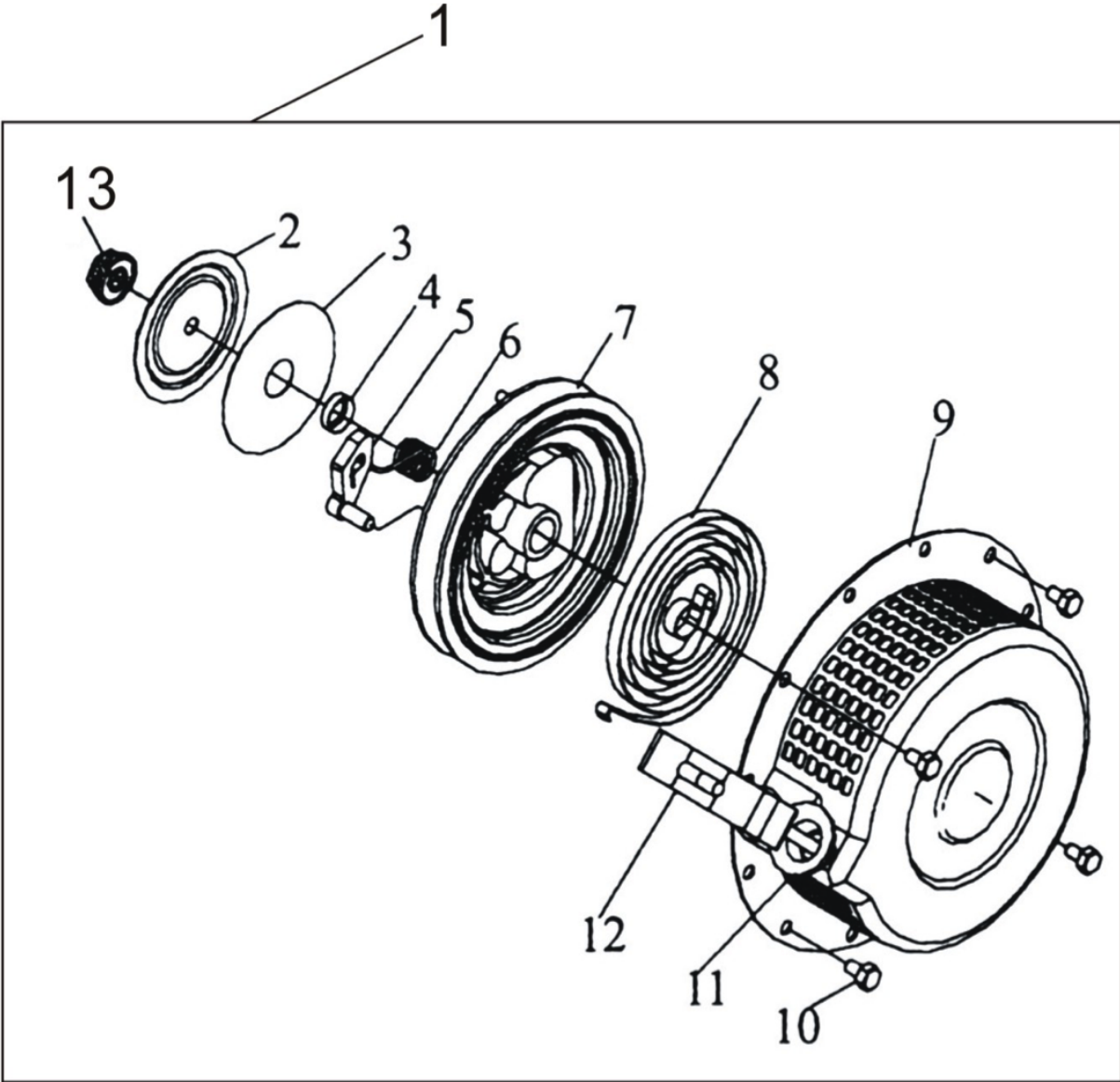
| Ref | Part No | Description | Remark | QTY KIT |
|-----|--------------|-------------|--------|---------|
| 1 | 588 49 44-01 | TAPPET | 24.5 | 1 |
| 2 | 588 49 45-01 | LEVER | | 1 |
| 3 | 588 49 46-01 | SEAL | 8_14_4 | 1 |
| 4 | 588 49 47-01 | WASHER | | 2 |
| 5 | 588 49 48-01 | SPRING | | 1 |
| 6 | 588 49 49-01 | SPRING | | 1 |
| 7 | 588 49 50-01 | SPRING | | 1 |
| 8 | 588 49 51-01 | LEVER | | 1 |
| 9 | 588 48 88-01 | BOLT | M6_12 | 1 |
| 10 | 588 48 77-01 | BOLT | M6_25 | 1 |



INTAKE SYSTEM

TF 545DE, 967967701, 2019-03

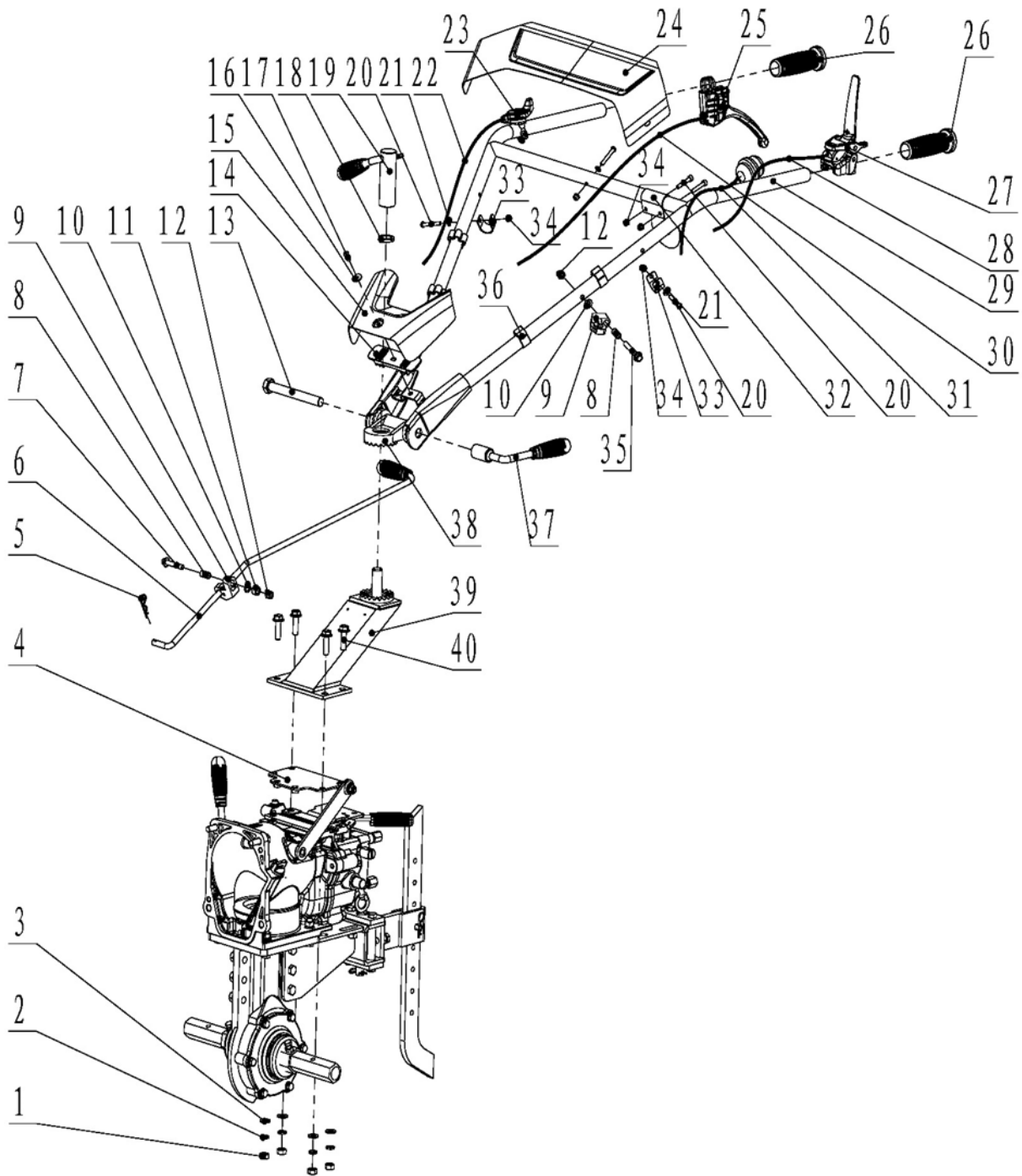
| Ref | Part No | Description | Remark | QTY KIT |
|-----|--------------|-------------|--------|---------|
| 1 | 588 49 52-01 | AIR FILTER | | 1 |
| 2 | 588 49 54-01 | PIPE | | 1 |
| 3 | 588 49 55-01 | GASKET | | 1 |
| 4 | 588 46 98-01 | BOLT | M8_16 | 2 |
| 5 | 588 49 56-01 | GASKET | | 1 |
| 6 | 588 49 57-01 | PIPE | | 1 |
| 7 | 588 48 77-01 | BOLT | M6_25 | 1 |
| 8 | 588 46 89-01 | NUT | M6 | 2 |
| 9 | 501 16 72-01 | FILTER | | 1 |



STARTER

TF 545DE, 967967701, 2019-03

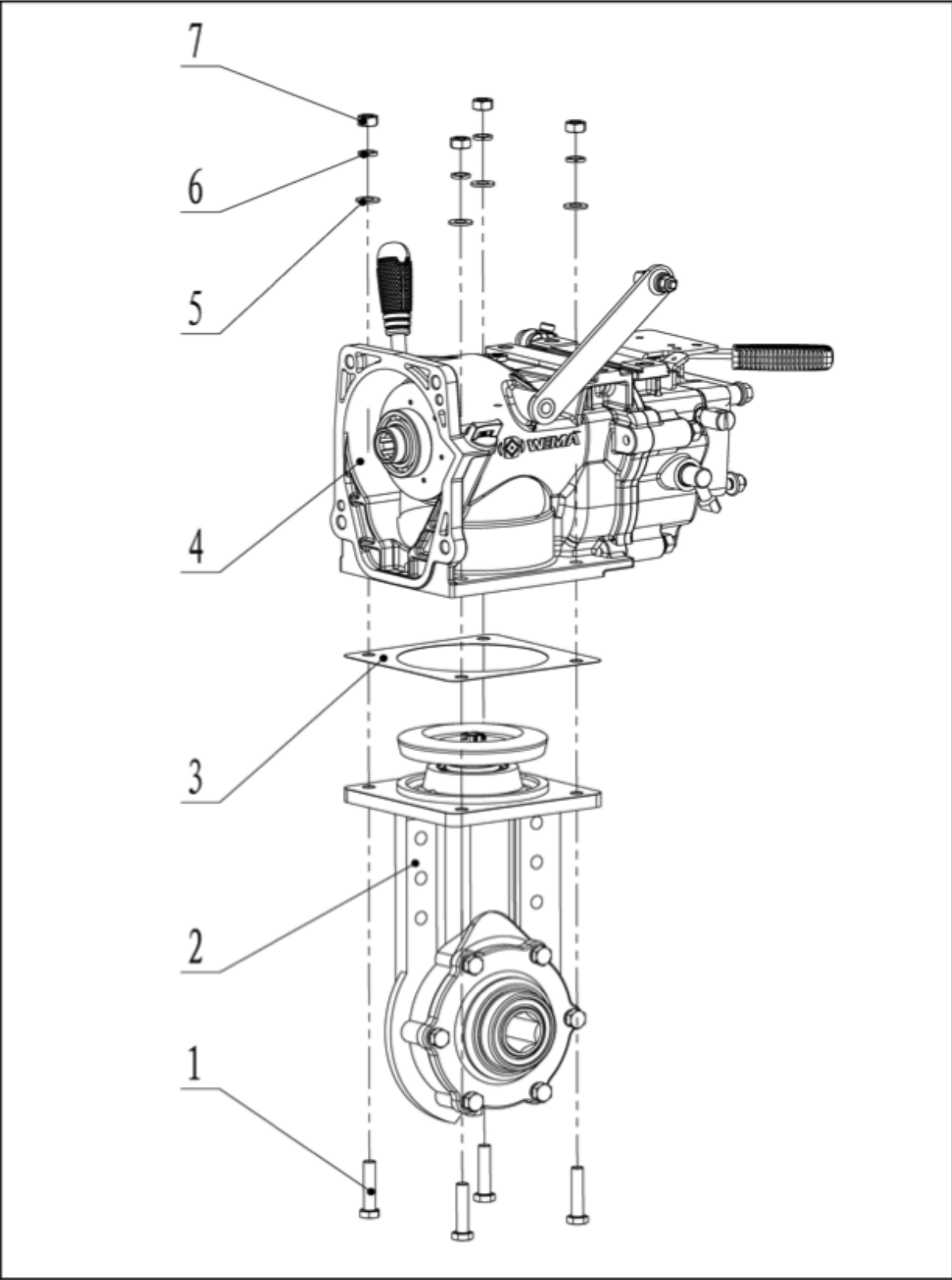
| Ref | Part No | Description | Remark | QTY KIT |
|-----|--------------|--------------|--------|---------|
| 1 | 588 49 81-01 | STARTER ASSY | | 1 |
| 2 | 588 49 82-01 | REEL | | 1 |
| 3 | 588 49 83-01 | PLATE | | 1 |
| 4 | 588 49 84-01 | COVER | | 1 |
| 5 | 588 49 86-01 | RATCHET | | 1 |
| 6 | 588 49 87-01 | SPRING | | 1 |
| 7 | 588 49 88-01 | REEL | | 1 |
| 8 | 588 49 89-01 | SPRING | | 1 |
| 9 | 588 49 90-01 | CASE | | 1 |
| 10 | 588 49 91-01 | BOLT | | 4 |
| 11 | 588 49 92-01 | STARTER ROPE | | 1 |
| 12 | 588 49 93-01 | HANDLE | | 1 |
| 13 | 588 49 94-01 | NUT | | 1 |



HANDLE

TF 545DE, 967967701, 2019-03

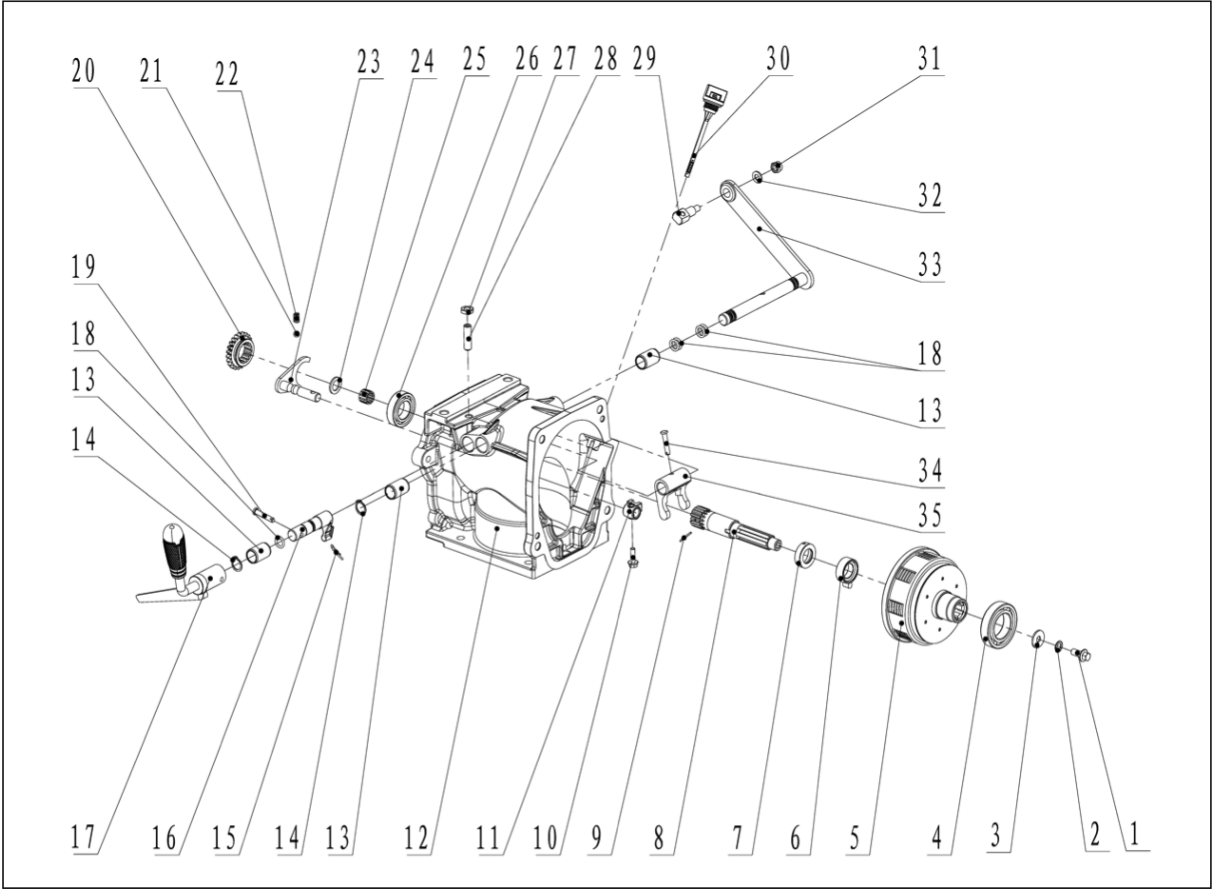
| Ref | Part No | Description | Remark | QTY KIT |
|-----|--------------|------------------|--------|---------|
| 1 | 587 95 88-01 | NUT | | 1 |
| 2 | 587 93 68-01 | SPRING WASHER | | 1 |
| 3 | 587 98 29-01 | WASHER | | 1 |
| 4 | 588 40 92-01 | PLATE | | 1 |
| 5 | 587 98 10-01 | CLIP | | 1 |
| 6 | 590 34 59-01 | LEVER | | 1 |
| 7 | 590 34 62-01 | BOLT | | 1 |
| 8 | 590 34 63-01 | SLEEVE | | 1 |
| 9 | 590 34 65-01 | BLOCK | | 1 |
| 10 | 588 41 63-01 | O-RING | | 1 |
| 11 | 590 34 67-01 | BUSH | | 1 |
| 12 | 590 34 68-01 | LOCK NUT | | 1 |
| 13 | 588 41 01-01 | BOLT | | 1 |
| 14 | 588 24 82-01 | HOLDER | | 1 |
| 15 | 588 41 02-01 | COVER | | 1 |
| 16 | 587 94 98-01 | WASHER | | 1 |
| 17 | 587 94 99-01 | BOLT | | 1 |
| 18 | 588 40 99-01 | SPRING WASHER | | 1 |
| 19 | 588 41 00-01 | KNOB | | 1 |
| 20 | 588 08 92-01 | BOLT | | 1 |
| 21 | 587 93 69-01 | WASHER | | 1 |
| 22 | 588 41 03-01 | THROTTLE CABLE | | 1 |
| 23 | 587 95 07-01 | THROTTLE CONTROL | | 1 |
| 24 | 588 41 08-01 | COVER | | 1 |
| 25 | 588 41 06-01 | CONTROL | | 1 |
| 26 | 587 95 08-01 | HANDLE GRIP | | 1 |
| 27 | 587 95 09-01 | CLUTCH | | 1 |
| 28 | 588 41 09-01 | CABLE | | 1 |
| 29 | 590 34 69-01 | HANDLEBAR | | 1 |
| 30 | 588 41 04-01 | CABLE | | 1 |
| 33 | 587 95 00-01 | SUSPENSION | | 1 |
| 34 | 587 95 01-01 | NUT | | 1 |
| 35 | 590 34 70-01 | BOLT | | 1 |
| 36 | 590 37 03-01 | CLAMP | | 1 |
| 37 | 587 94 96-01 | KNOB | | 1 |
| 38 | 588 40 98-01 | TRAY | | 1 |
| 39 | 590 34 73-01 | BRACKET | | 1 |
| 40 | 588 40 95-01 | BOLT | | 1 |



TRANSMISSION

TF 545DE, 967967701, 2019-03

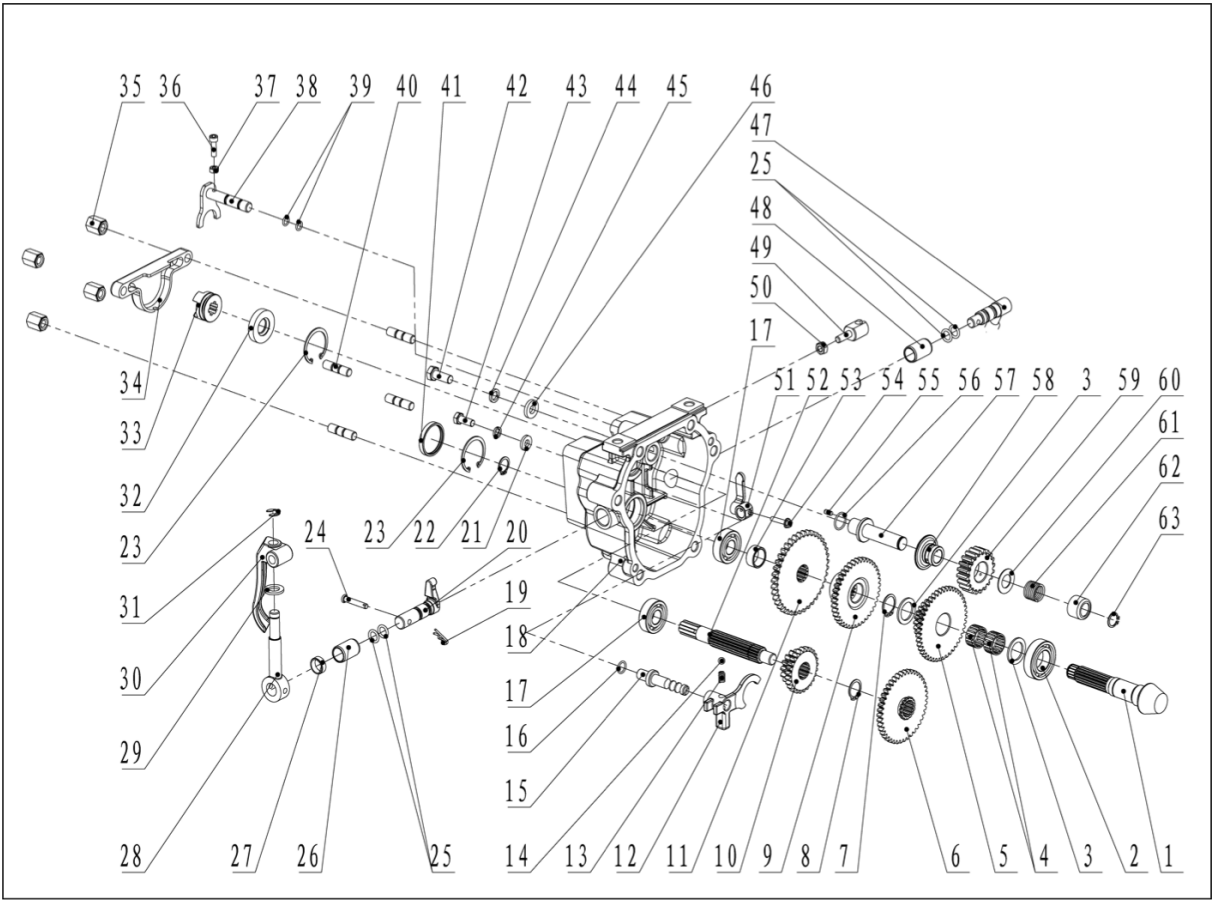
| Ref | Part No | Description | Remark | QTY KIT |
|-----|--------------|---------------|--------|---------|
| 1 | 588 40 95-01 | BOLT | M10_40 | 4 |
| 2 | 588 46 36-01 | CASE | | 1 |
| 3 | 590 34 74-01 | GASKET | | 1 |
| 4 | 590 34 75-01 | GEARBOX ASSY | | 1 |
| 5 | 587 98 29-01 | WASHER | 10 | 4 |
| 6 | 587 93 68-01 | SPRING WASHER | 10 | 4 |
| 7 | 587 95 88-01 | NUT | M10 | 4 |



TRANSMISSION

TF 545DE, 967967701, 2019-03

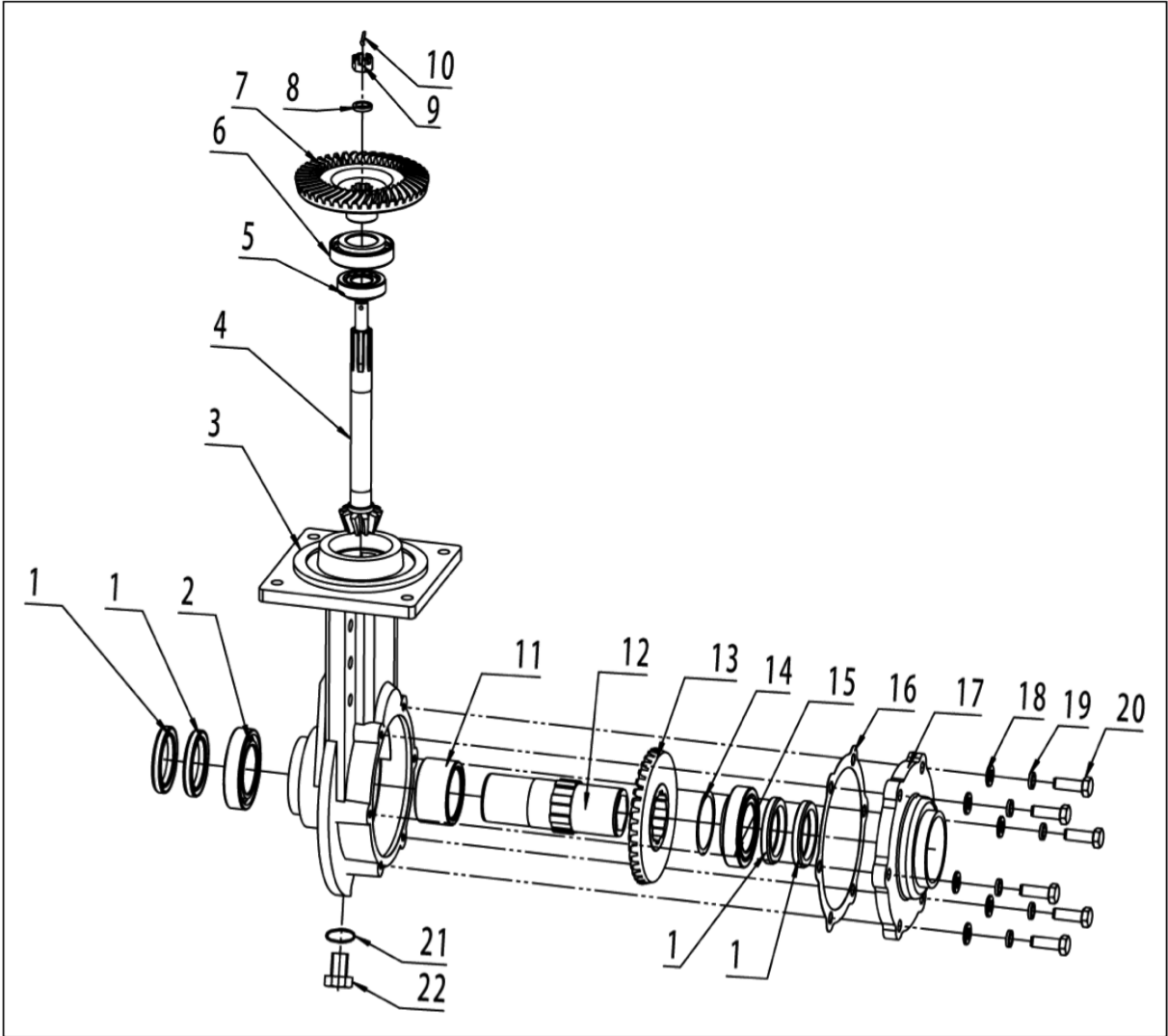
| Ref | Part No | Description | Remark | QTY KIT |
|-----|--------------|----------------|-----------|---------|
| 1 | 587 93 70-01 | BOLT | M8_20 | 1 |
| 2 | 588 41 32-01 | LOCKWASHER | 8 | 1 |
| 3 | 588 41 33-01 | WASHER | 8 | 1 |
| 4 | 588 41 30-01 | BALL BEARING | 6007 | 1 |
| 5 | 590 35 30-01 | CLUTCH | | 1 |
| 6 | 588 44 33-01 | BUSH | | 1 |
| 7 | 588 44 32-01 | DISC | | 1 |
| 8 | 590 34 77-01 | SHAFT | | 1 |
| 9 | 590 34 79-01 | PIN | 2_28 | 1 |
| 10 | 590 34 81-01 | BOLT | M6_20 | 1 |
| 11 | 590 34 91-01 | RETAINER RING | | 1 |
| 12 | 589 89 58-01 | HOUSING | | 1 |
| 13 | 590 34 95-01 | BUSH | 16_20_30 | 3 |
| 14 | 588 44 42-01 | CIRCLIP | 16 | 2 |
| 15 | 590 34 96-01 | CIRCLIP | F | 1 |
| 16 | 590 35 21-01 | ROCKER LEVER | | 1 |
| 17 | 590 35 23-01 | LEVER | | 1 |
| 18 | 588 41 63-01 | O-RING | 11.2_2.65 | 5 |
| 19 | 588 41 69-01 | PIN | B 6_30 | 1 |
| 20 | 590 35 24-01 | SHAFT | | 1 |
| 21 | 590 35 25-01 | BALL | | 1 |
| 22 | 590 35 26-01 | SPRING | | 1 |
| 23 | 590 35 27-01 | FORK | | 1 |
| 24 | 590 35 28-01 | WASHER | | 1 |
| 25 | 590 35 29-01 | NEEDLE BEARING | | 1 |
| 26 | 590 35 31-01 | BALL BEARING | | 1 |
| 27 | 590 35 32-01 | NUT | | 1 |
| 28 | 590 35 33-01 | POINTER | | 1 |
| 29 | 588 46 69-01 | WIRE HOLDER | | 1 |
| 30 | 590 35 34-01 | DIPSTICK | | 1 |
| 31 | 588 41 67-01 | SPRING WASHER | 8 | 1 |
| 32 | 587 93 74-01 | NUT | 8 | 1 |
| 33 | 588 41 66-01 | AXLE | | 1 |
| 34 | 588 41 69-01 | PIN | B 6_30 | 1 |
| 35 | 588 41 70-01 | FORK | Fork | 1 |



TRANSMISSION

TF 545DE, 967967701, 2019-03

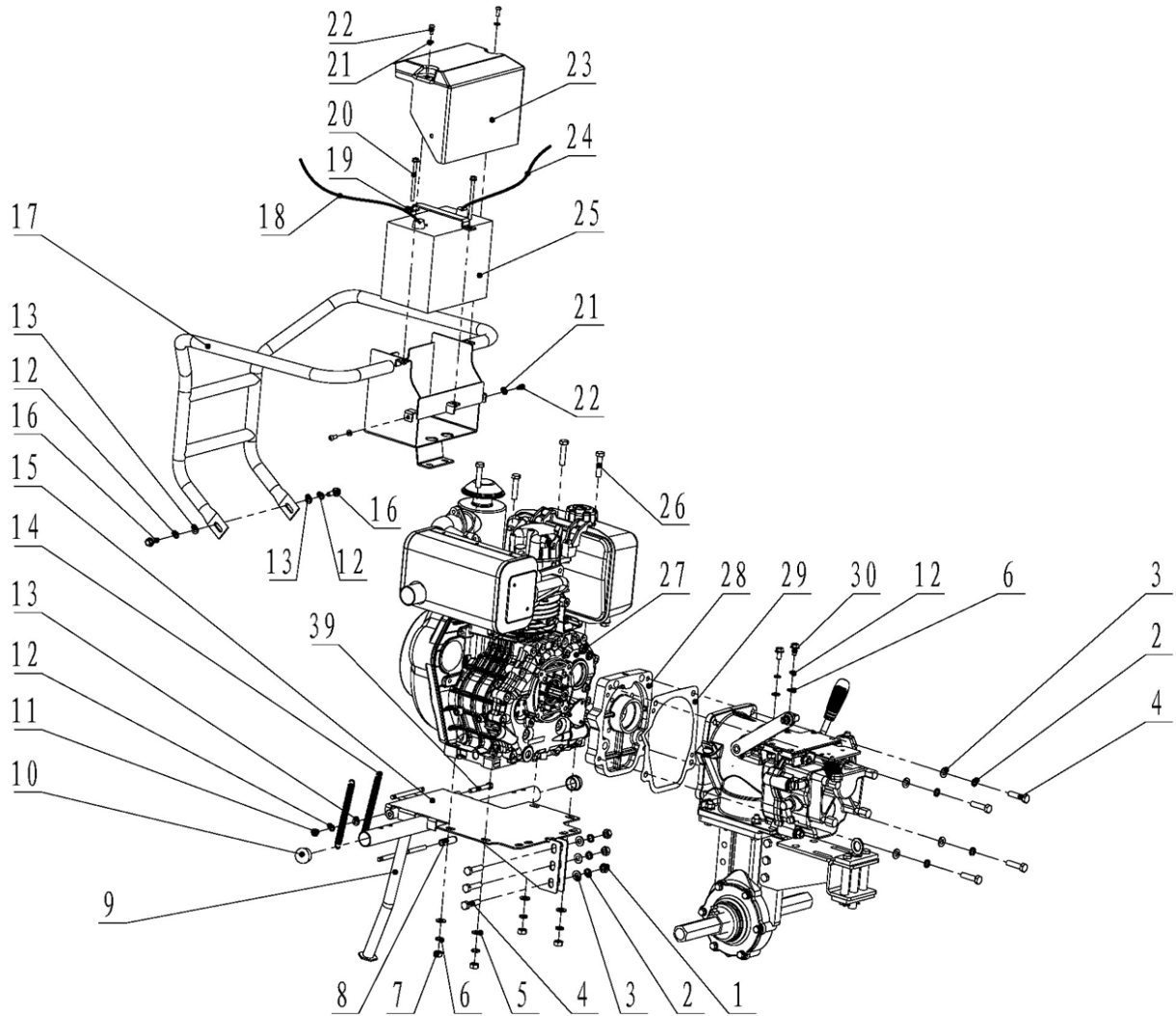
| Ref | Part No | Description | Remark | QTY KIT |
|-----|--------------|----------------|-------------|---------|
| 1 | 590 35 35-01 | SHAFT | | 1 |
| 2 | 590 35 36-01 | BALL BEARING | 6005 | 1 |
| 3 | 590 35 37-01 | WASHER | | 2 |
| 4 | 590 35 38-01 | NEEDLE BEARING | | 2 |
| 5 | 590 35 39-01 | SHAFT | | 1 |
| 6 | 590 35 41-01 | SHAFT | | 1 |
| 7 | 590 35 42-01 | SPRING WASHER | 22 | 1 |
| 8 | 590 35 43-01 | SPRING WASHER | 20 | 1 |
| 9 | 590 35 44-01 | SHAFT | | 1 |
| 10 | 590 35 45-01 | SHAFT | | 1 |
| 11 | 590 35 46-01 | SHAFT | | 1 |
| 12 | 590 35 47-01 | FORK | | 1 |
| 13 | 590 36 29-01 | SPRING | | 1 |
| 14 | 590 36 30-01 | BALL | | 1 |
| 15 | 590 36 31-01 | SHAFT | | 1 |
| 16 | 590 36 32-01 | O-RING | 11.8_1.8 | 1 |
| 17 | 590 36 33-01 | BALL BEARING | 6203 | 2 |
| 18 | 590 36 34-01 | COVER | | 1 |
| 19 | 590 36 35-01 | CIRCLIP | F | 1 |
| 20 | 590 36 36-01 | ROCKER LEVER | | 1 |
| 21 | 590 36 37-01 | GASKET | 8_18_3 | 1 |
| 22 | 590 36 38-01 | SPRING WASHER | 17 | 1 |
| 23 | 590 36 39-01 | RING | | 2 |
| 24 | 590 36 40-01 | PIN | 6_35 | 1 |
| 25 | 588 41 68-01 | O-RING | 10.2_2.65 | 4 |
| 26 | 590 36 41-01 | BUSH | 16_20_30 | 1 |
| 27 | 590 36 42-01 | SHIM | | 1 |
| 28 | 590 36 43-01 | ROD | | 1 |
| 29 | 590 36 44-01 | GASKET | 12 | 1 |
| 30 | 590 36 45-01 | STOP SLEEVE | | 1 |
| 31 | 590 36 46-01 | WASHER | 9 | 1 |
| 32 | 590 36 47-01 | SEAL | | 1 |
| 33 | 590 36 48-01 | CARRIER | | 1 |
| 34 | 590 36 49-01 | COVER | | 1 |
| 35 | 590 36 50-01 | NUT | | 4 |
| 36 | 590 36 51-01 | BOLT | M6_20 | 1 |
| 37 | 590 36 62-01 | BEAD | M6 | 1 |
| 38 | 590 36 53-01 | FORK | | 1 |
| 39 | 590 36 54-01 | O-RING | 1.8_8 | 2 |
| 40 | 590 36 55-01 | STUD | 1.5d M10_25 | 4 |
| 41 | 590 36 56-01 | OIL PLUG | 40_6 | 1 |
| 42 | 588 41 44-01 | BOLT | M10_25 | 1 |
| 43 | 590 36 57-01 | BOLT | M8_20 | 1 |
| 44 | 590 36 58-01 | SPRING WASHER | 10 | 1 |
| 45 | 590 36 63-01 | SPRING WASHER | 8 | 1 |
| 46 | 590 36 64-01 | WASHER | | 1 |
| 47 | 590 36 65-01 | SHAFT | | 1 |
| 48 | 588 41 62-01 | BUSH | Fork Axle | 1 |
| 49 | 590 36 68-01 | BRACKET | | 1 |
| 50 | 590 36 69-01 | BOLT | M8 | 1 |
| 51 | 590 36 70-01 | FORK | | 1 |
| 52 | 590 36 71-01 | SHAFT | | 1 |
| 53 | 590 36 72-01 | SHIM | | 1 |
| 54 | 590 36 73-01 | BOLT | M5_25 | 1 |
| 55 | 588 44 50-01 | PIN | | 1 |
| 56 | 588 41 81-01 | O-RING | 18_1.8 | 1 |
| 57 | 590 36 74-01 | SHAFT | | 1 |
| 58 | 590 36 75-01 | PLATE | | 1 |
| 59 | 590 36 76-01 | GEAR WHEEL | | 1 |
| 60 | 590 36 77-01 | WASHER | 16.5_30_1 | 1 |
| 61 | 590 36 79-01 | SPRING | | 1 |
| 62 | 590 36 80-01 | SHIM | | 1 |
| 63 | 590 36 81-01 | SPRING WASHER | 15 | 1 |



WALKING CASE

TF 545DE, 967967701, 2019-03

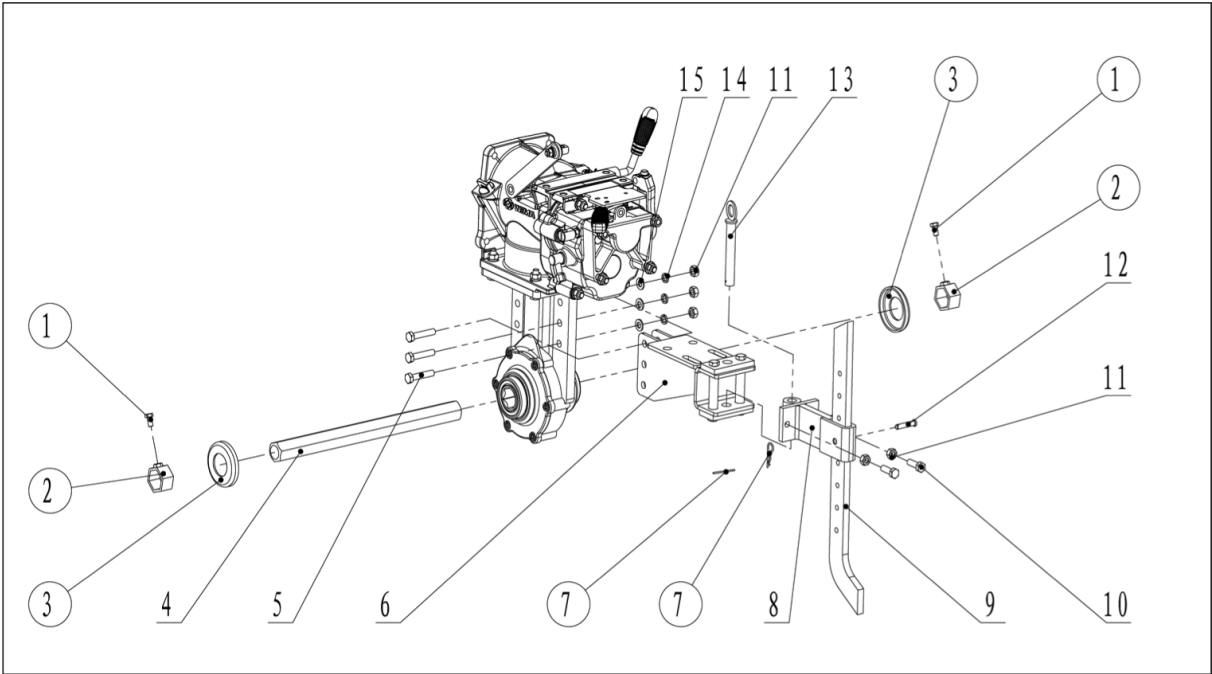
| Ref | Part No | Description | Remark | QTY KIT |
|-----|--------------|---------------|------------|---------|
| 1 | 588 44 56-01 | SEAL | B45_62_8 | 4 |
| 2 | 588 44 66-01 | BALL BEARING | | 1 |
| 3 | 588 44 67-01 | SHELL | | 1 |
| 4 | 588 44 68-01 | AXLE | | 1 |
| 5 | 588 44 69-01 | BALL BEARING | | 1 |
| 6 | 588 44 70-01 | BALL BEARING | | 1 |
| 7 | 588 44 71-01 | GEAR WHEEL | | 1 |
| 8 | 588 44 72-01 | SPRING WASHER | 12 | 1 |
| 9 | 588 44 73-01 | NUT | M12 | 1 |
| 10 | 588 44 75-01 | PIN | 2.5_20 | 1 |
| 11 | 588 46 71-01 | SLEEVE | | 1 |
| 12 | 588 46 70-01 | SHAFT | | 1 |
| 13 | 588 45 58-01 | GEAR | | 1 |
| 14 | 588 45 60-01 | WASHER | | 1 |
| 15 | 588 45 62-01 | BALL BEARING | | 1 |
| 16 | 588 45 63-01 | GASKET | | 1 |
| 17 | 588 45 66-01 | COVER | | 1 |
| 18 | 587 98 29-01 | WASHER | 10 | 6 |
| 19 | 587 93 68-01 | SPRING WASHER | 10 | 6 |
| 20 | 588 45 69-01 | BOLT | | 6 |
| 21 | 588 41 68-01 | O-RING | 10.2_2.65 | 1 |
| 22 | 587 94 51-01 | BOLT | M12_1.5_15 | 1 |



ENGINE

TF 545DE, 967967701, 2019-03

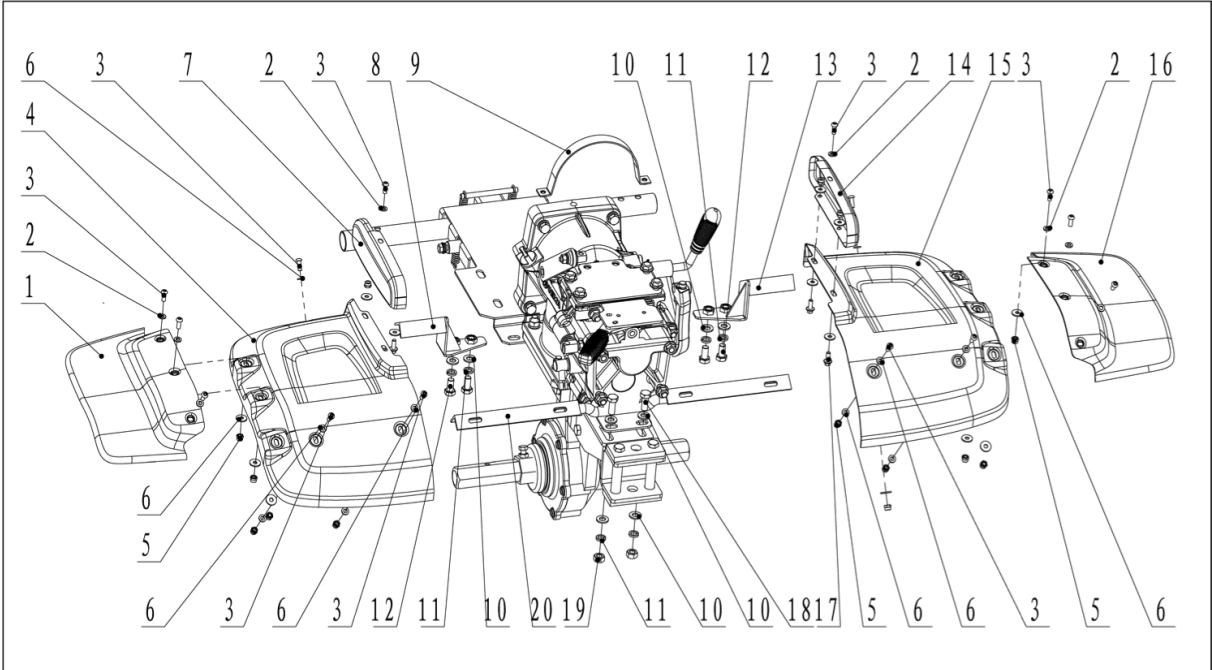
| Ref | Part No | Description | Remark | QTY KIT |
|-----|--------------|---------------|--------|---------|
| 1 | 587 95 88-01 | NUT | M10 | 7 |
| 2 | 587 93 68-01 | SPRING WASHER | 10 | 7 |
| 3 | 587 98 29-01 | WASHER | 10 | 7 |
| 4 | 588 40 95-01 | BOLT | M10_40 | 7 |
| 5 | 587 98 29-01 | WASHER | 10 | 4 |
| 6 | 587 93 68-01 | SPRING WASHER | 10 | 4 |
| 7 | 587 95 88-01 | NUT | M10 | 4 |
| 8 | 590 36 85-01 | COVER | | 1 |
| 9 | 588 45 72-01 | SUPPORT LEG | | 1 |
| 10 | 588 45 73-01 | PLUG | | 2 |
| 11 | 588 45 71-01 | NUT | M8 | 1 |
| 12 | 587 94 91-01 | WASHER | 8 | 5 |
| 13 | 587 94 90-01 | WASHER | 8 | 5 |
| 14 | 588 45 70-01 | SPRING | | 2 |
| 15 | 588 45 90-01 | ENGINE PLATE | | 1 |
| 16 | 588 45 86-01 | BOLT | M8_20 | 2 |
| 18 | 597 84 58-01 | WIRE | | 1 |
| 19 | 597 84 60-01 | BRACKET | | 1 |
| 21 | 587 93 69-01 | WASHER | | 1 |
| 22 | 587 94 99-01 | BOLT | | 1 |
| 24 | 597 84 59-01 | WIRE | | 1 |
| 25 | 597 84 61-01 | BATTERY | | 1 |
| 26 | 588 45 74-01 | BOLT | | 1 |
| 28 | 590 36 86-01 | FLANGE | | 1 |
| 29 | 590 36 87-01 | GASKET | | 1 |
| 30 | 588 40 94-01 | BOLT | | 1 |



TOW BAR

TF 545DE, 967967701, 2019-03

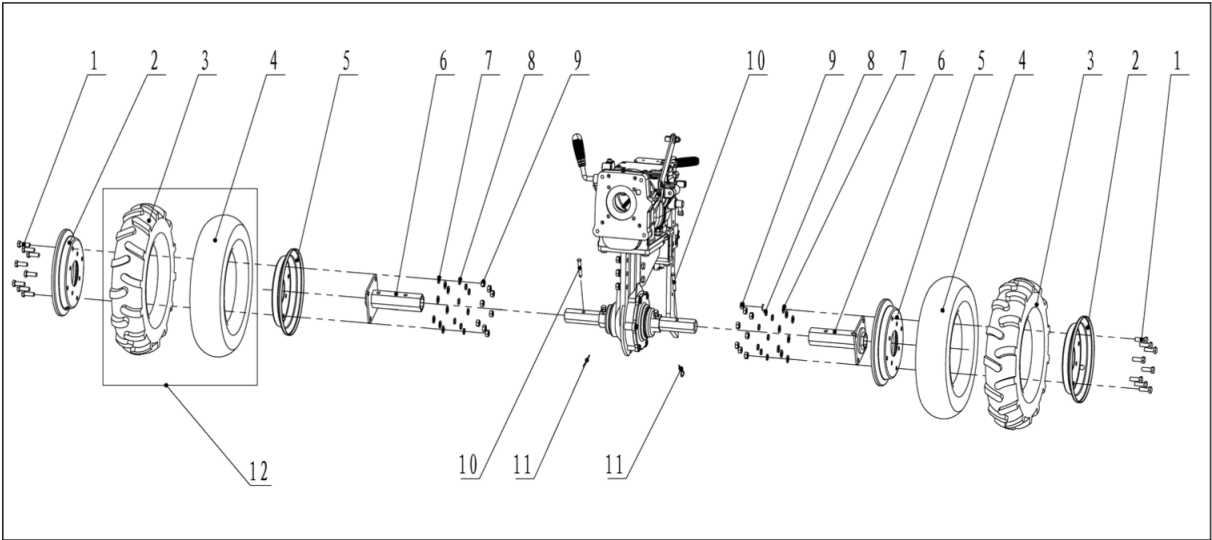
| Ref | Part No | Description | Remark | QTY KIT |
|-----|--------------|---------------|--------|---------|
| 1 | 588 40 94-01 | BOLT | M8_16 | 2 |
| 2 | 588 45 75-01 | BUSH | | 2 |
| 3 | 588 45 76-01 | COVER | | 2 |
| 4 | 588 46 23-01 | SHAFT | | 1 |
| 5 | 588 45 78-01 | BOLT | M10_50 | 3 |
| 6 | 590 36 88-01 | BAR | | 1 |
| 7 | 587 98 10-01 | CLIP | B | 2 |
| 8 | 588 45 79-01 | CONNECTOR | | 1 |
| 9 | 587 95 31-01 | BAR | | 1 |
| 10 | 588 45 69-01 | BOLT | M10_30 | 2 |
| 11 | 587 95 88-01 | NUT | M10 | 5 |
| 12 | 587 98 56-01 | PIN | 8_43 | 1 |
| 13 | 588 45 80-01 | PIN | | 1 |
| 14 | 587 93 68-01 | SPRING WASHER | 10 | 3 |
| 15 | 587 98 29-01 | WASHER | 10 | 3 |



TINE SHIELD

TF 545DE, 967967701, 2019-03

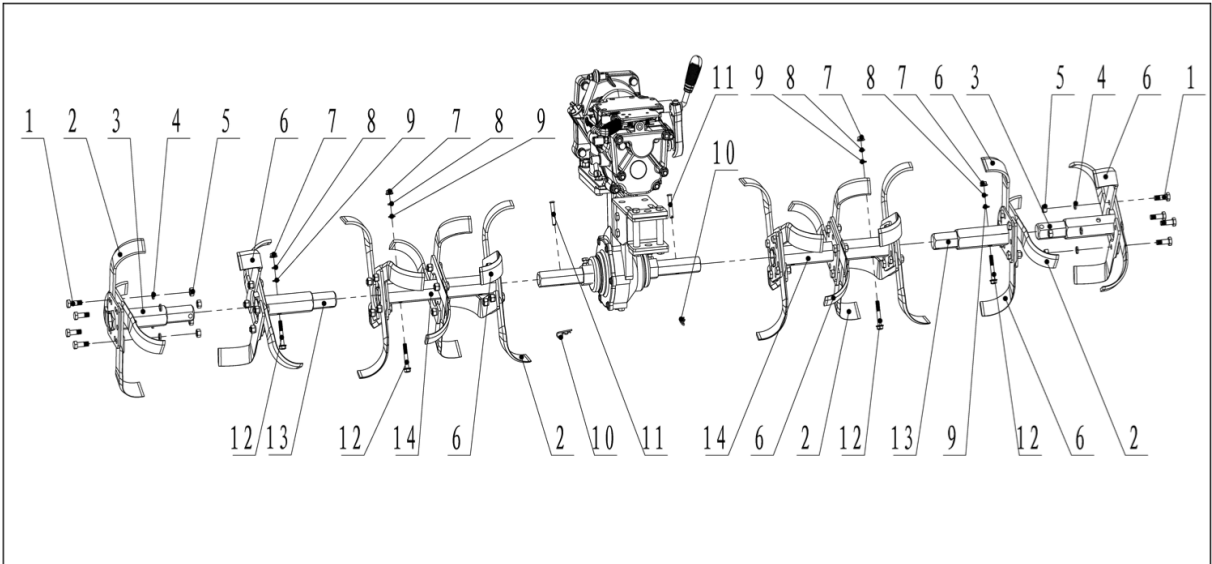
| Ref | Part No | Description | Remark | QTY KIT |
|-----|--------------|---------------|-----------|---------|
| 1 | 588 45 91-01 | COVER | | 1 |
| 2 | 587 93 69-01 | WASHER | 6 | 8 |
| 3 | 587 94 99-01 | BOLT | Hex M6_16 | 14 |
| 4 | 590 36 90-01 | COVER | LH Tine | 1 |
| 5 | 587 95 01-01 | NUT | M6 | 16 |
| 6 | 587 94 98-01 | WASHER | 6 | 26 |
| 7 | 590 36 91-01 | COVER | | 1 |
| 8 | 590 36 92-01 | BRACKET | | 1 |
| 9 | 590 36 93-01 | PLATE | | 1 |
| 10 | 587 98 29-01 | WASHER | 10 | 8 |
| 11 | 587 93 68-01 | SPRING WASHER | 10 | 6 |
| 12 | 588 45 95-01 | BOLT | M10_20 | 4 |
| 13 | 590 36 94-01 | BRACKET | | 1 |
| 14 | 590 36 97-01 | COVER | | 1 |
| 15 | 590 36 98-01 | COVER | | 1 |
| 16 | 588 46 03-01 | COVER | | 1 |
| 17 | 588 55 19-01 | BOLT | M6_16 | 4 |
| 18 | 588 45 98-01 | BOLT | M10_25 | 2 |
| 19 | 587 95 88-01 | NUT | M10 | 2 |
| 20 | 590 36 99-01 | BRACKET | | 1 |



WHEELS & TIRES

TF 545DE, 967967701, 2019-03

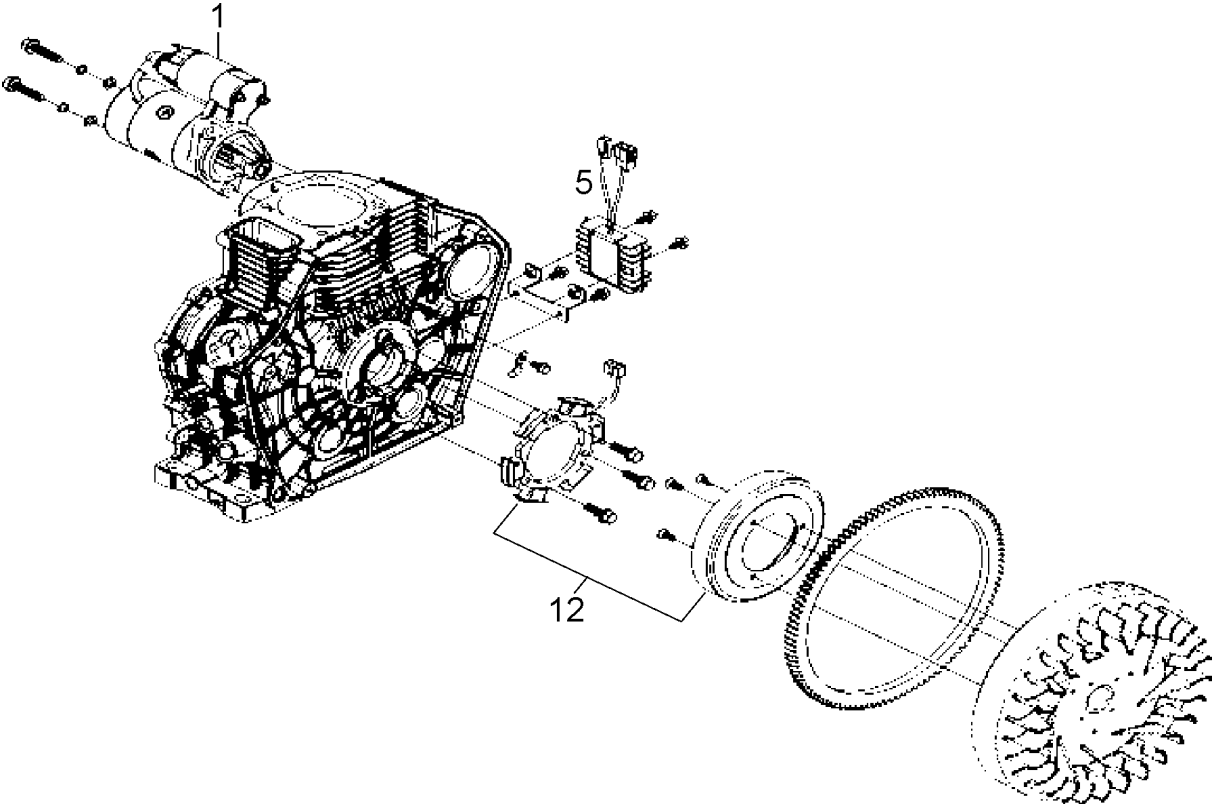
| Ref | Part No | Description | Remark | QTY KIT |
|-----|--------------|---------------|----------|---------|
| 1 | 587 95 82-01 | BOLT | M10_25 | 16 |
| 2 | 587 95 83-01 | RIM | LH Spoke | 2 |
| 3 | 582 10 31-01 | TIRE | outer | 2 |
| 4 | 582 10 43-01 | TUBE | Inner | 2 |
| 5 | 587 95 85-01 | RIM | RH Spoke | 2 |
| 6 | 588 46 11-01 | WHEEL AXLE | | 2 |
| 7 | 587 98 29-01 | WASHER | 10 | 16 |
| 8 | 587 93 68-01 | SPRING WASHER | 10 | 16 |
| 9 | 587 95 88-01 | NUT | M10 | 16 |
| 10 | 588 46 13-01 | PIN | | 2 |
| 11 | 587 95 26-01 | CLIP | B | 2 |
| 12 | 587 95 84-01 | TIRE | 4.0-8 | 2 |



TINE ASSEMBLY

TF 545DE, 967967701, 2019-03

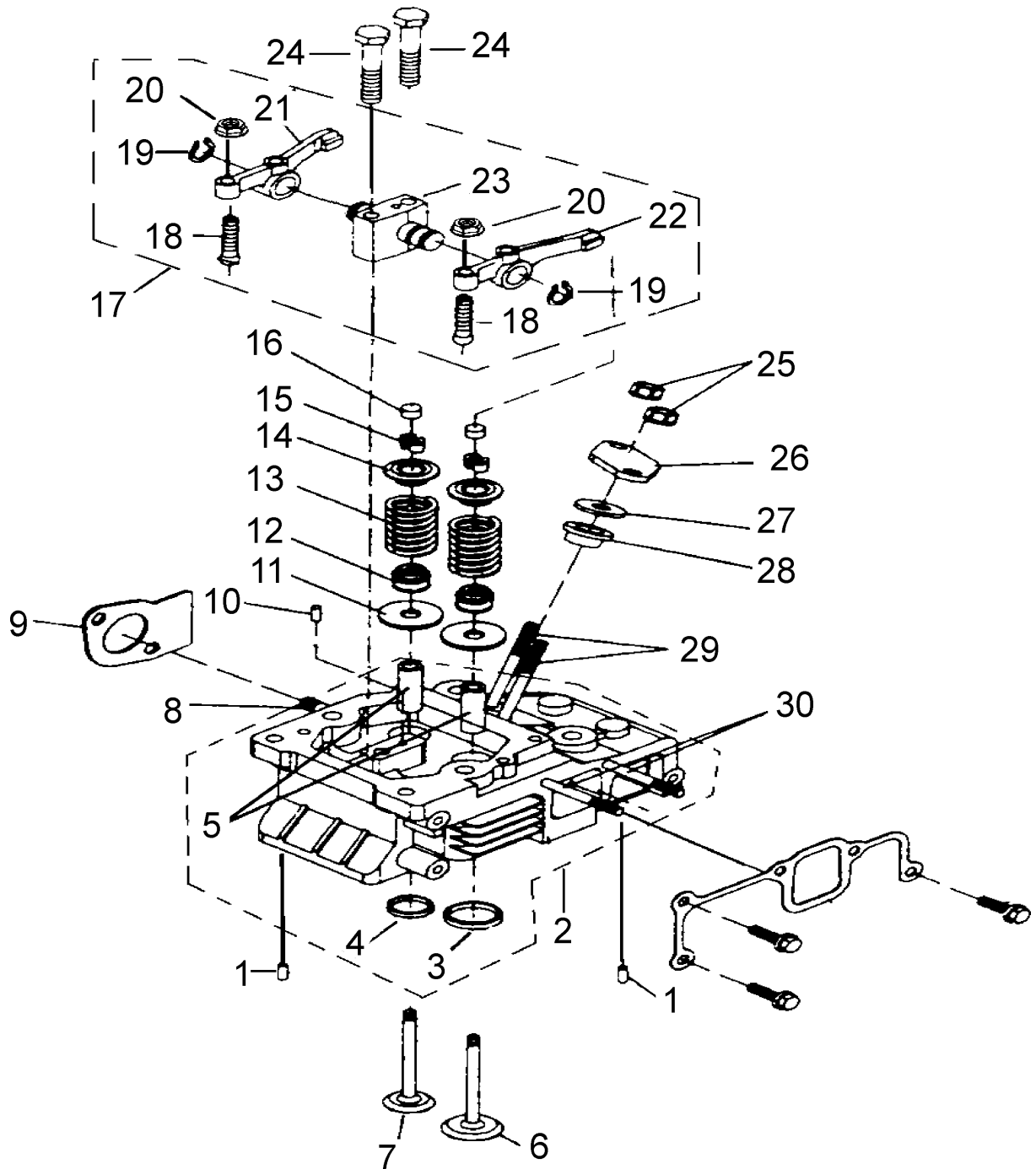
| Ref | Part No | Description | Remark | QTY KIT |
|-----|--------------|---------------|----------------|---------|
| 1 | 587 95 82-01 | BOLT | M10_35 | 40 |
| 2 | 587 95 93-01 | BLADE | Right Dry Land | 20 |
| 3 | 588 46 04-01 | HOLDER | 2 | 2 |
| 4 | 587 93 68-01 | SPRING WASHER | 10 | 40 |
| 5 | 587 95 88-01 | NUT | M10 | 40 |
| 6 | 587 95 89-01 | BLADE | Left Dry Land | 20 |
| 7 | 587 93 73-01 | NUT | M8 | 4 |
| 8 | 587 94 91-01 | WASHER | 8 | 4 |
| 9 | 587 94 90-01 | WASHER | 8 | 4 |
| 10 | 587 95 26-01 | CLIP | B | 2 |
| 11 | 588 46 13-01 | PIN | | 2 |
| 12 | 588 46 06-01 | BOLT | M8_55 | 4 |
| 13 | 588 46 05-01 | HOLDER | Sub Blade | 2 |
| 14 | 588 46 09-01 | HOLDER | Main Blade | 2 |



ELECTRIC START

TF 545DE, 967967701, 2019-03

| Ref | Part No | Description | Remark | QTY KIT |
|-----|--------------|---------------|--------|---------|
| 1 | 597 84 55-01 | STARTER MOTOR | | 1 |
| 5 | 597 84 56-01 | REGULATOR | | 1 |
| 12 | 597 84 57-01 | FLYWHEEL | | 1 |



CYLINDER HEAD

TF 545DE, 967967701, 2019-03

| Ref | Part No | Description | Remark | QTY KIT |
|-----|--------------|-----------------|--------|---------|
| 1 | 588 47 38-01 | PIN | 4×8 | 1 |
| 2 | 588 47 39-01 | CYLINDER HEAD | | 1 |
| 3 | 588 60 71-01 | GUIDE PLATE | | 1 |
| 4 | 588 60 73-01 | GUIDE PLATE | | 1 |
| 5 | 588 60 74-01 | VALVE GUIDE | | 2 |
| 6 | 588 47 40-01 | VALVE | | 1 |
| 7 | 588 47 41-01 | VALVE | | 1 |
| 8 | 588 47 42-01 | STUD | AM8×32 | 2 |
| 9 | 588 47 43-01 | GASKET | | 1 |
| 10 | 588 47 38-01 | PIN | 4×8 | 1 |
| 11 | 588 48 13-01 | SPRING WASHER | | 2 |
| 12 | 588 48 14-01 | SEAL | | 2 |
| 13 | 588 48 15-01 | SPRING RETAINER | | 2 |
| 14 | 588 48 16-01 | ARM | | 2 |
| 15 | 588 48 17-01 | COTTER | | 4 |
| 16 | 588 48 19-01 | PLATE | | 2 |
| 17 | 588 48 20-01 | ARM | | 1 |
| 18 | 588 60 75-01 | SCREW | | 1 |
| 19 | 588 60 76-01 | WASHER | φ15 | 1 |
| 20 | 588 60 77-01 | NUT | | 1 |
| 21 | 588 60 78-01 | ARM | | 1 |
| 22 | 588 60 79-01 | ARM | | 1 |
| 23 | 588 60 80-01 | HOLDER | | 1 |
| 24 | 588 60 81-01 | BOLT | M8×50 | 2 |
| 25 | 588 46 89-01 | NUT | M6 | 2 |
| 26 | 588 48 22-01 | CLAMP | | 1 |
| 27 | 588 48 23-01 | WASHER | | 1 |
| 28 | 588 48 24-01 | SLEEVE | | 1 |
| 29 | 588 48 25-01 | STUD | AM6×67 | 2 |
| 30 | 588 48 26-01 | STUD | AM6×95 | 2 |