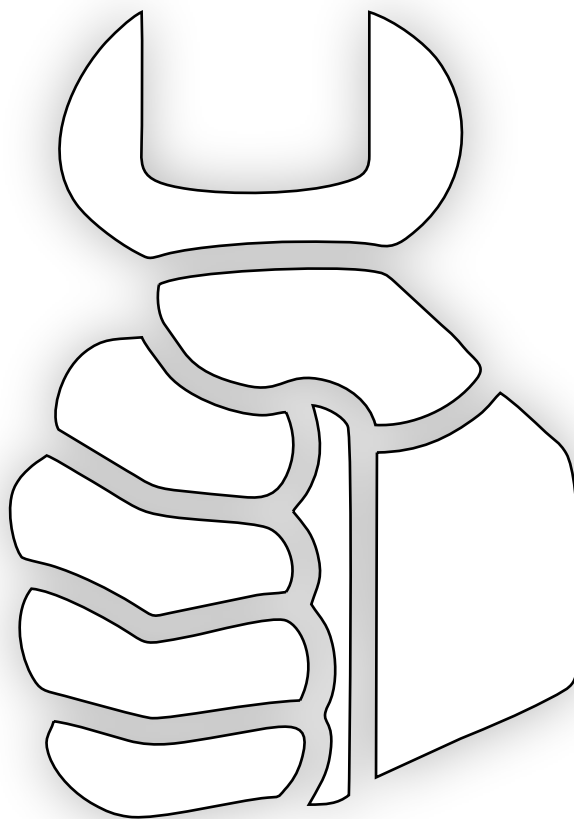


Parts online

Spare parts list

BG 375 F TP/QP



Mechanical

BG375 F TP 1
BG375 F QP 3
Blade assembly 5
Belt Clutch GX160 7
Engine 9
Handle Assembly 11
Screw regulator TP 14
Quick pitch 17
Labels TP 19
Labels QP 21

Accessories

Consumables 23

Kits

Service kit, Honda GX 160 25
Maintenance kit, Honda GX 160 and 200, short handle 27
Transport device kit 29
Gear box seal kit 31

General information

This spare parts list applies to the following:

Part number	Description
967856401	TROWELS BG 375
967856402	TROWELS BG 375

Use only authorized parts. Any damage or malfunction caused by the use of Unauthorized parts are not covered by Warranty or Product Liability. Any unauthorized use or copying of the contents or any part thereof is Prohibited. This applies in particular to trademarks, model denominations, part numbers, and drawings.

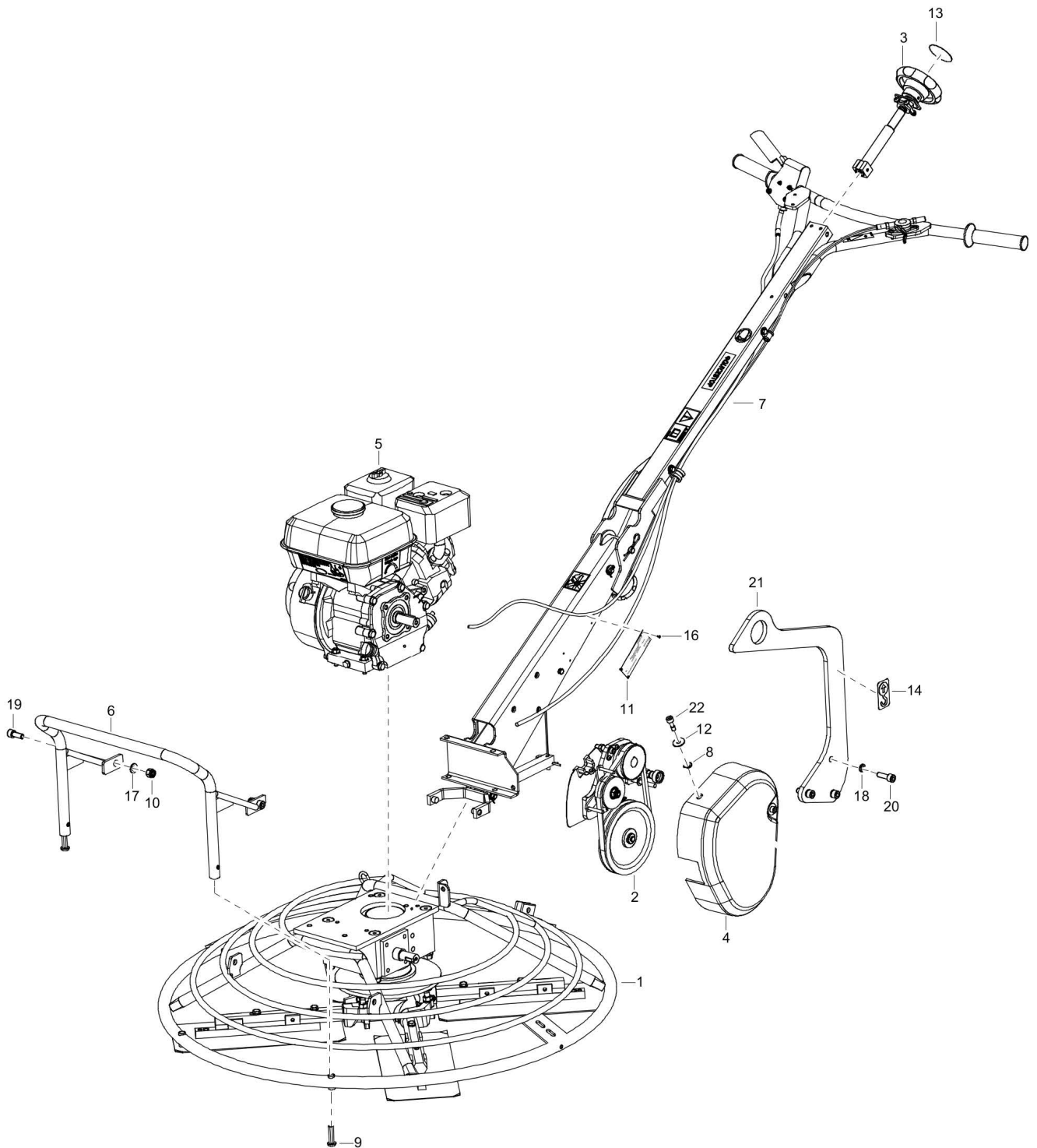
Instructions for use

This spare parts list contains no safety regulations and is merely intended to assist in the ordering of spare parts.

For information about operating, servicing, or repairing, the relevant Safety and operating instructions must be consulted at all costs.

Please observe the safety instructions listed in the relevant Safety and operating instructions!

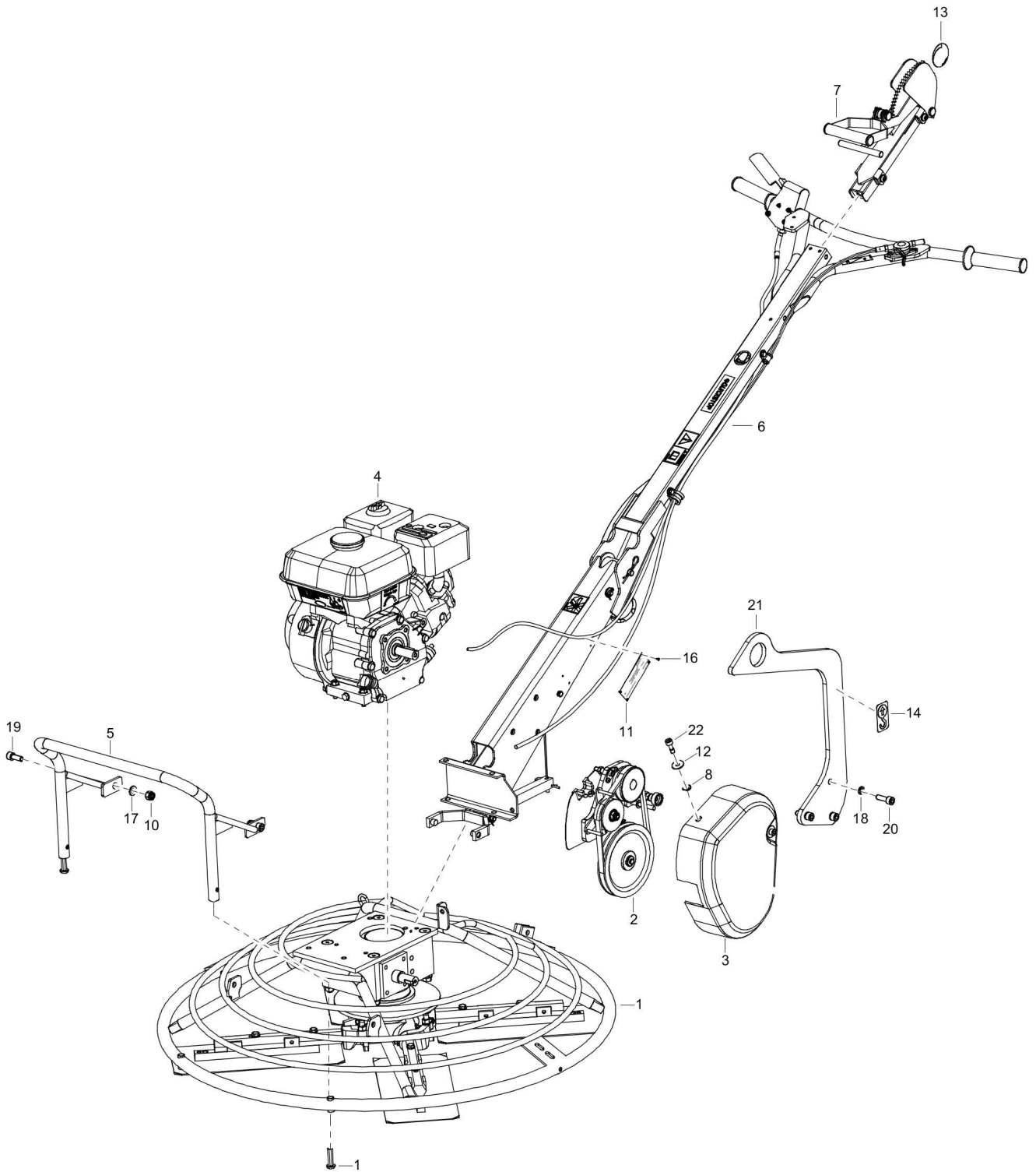
Mechanical BG375 F TP



Refer to the Parts Online web page for most up-to-date information. The printed information might be outdated.

Item	Part No.	Name	Qty	L
1	595298201	Basic assembly	1	
2	595500101	Belt clutch gx160	1	
3	594866301	Blade adjuster	1	
4	594958801	Cover	1	
5	594867701	Honda gx 160 mount	1	
6	595297801	Lifting handle	1	
7	595298301	Module handle 375	1	
8	594650201	Lock spring	2	
9	595212401	Hex Sock screw M10X40mm, (1.57")	2	
10	594123101	Locknut	2	
11	595501001	Signplate	1	
12	594123701	Plain washer	2	
13	594245801	Decal blade angle	1	
14	594332101	Decal	1	
16	595168301	Rivet	4	
17	595113301	Washer plain	2	
18	594124401	Spring washer	3	
19	595111301	Paraf.allen	2	
20	594120701	Hex sock. screw	3	
21	595297901	Lifting eye	1	
22	594642501	Captive screw M8x25, (.98".)	2	

Mechanical BG375 F QP

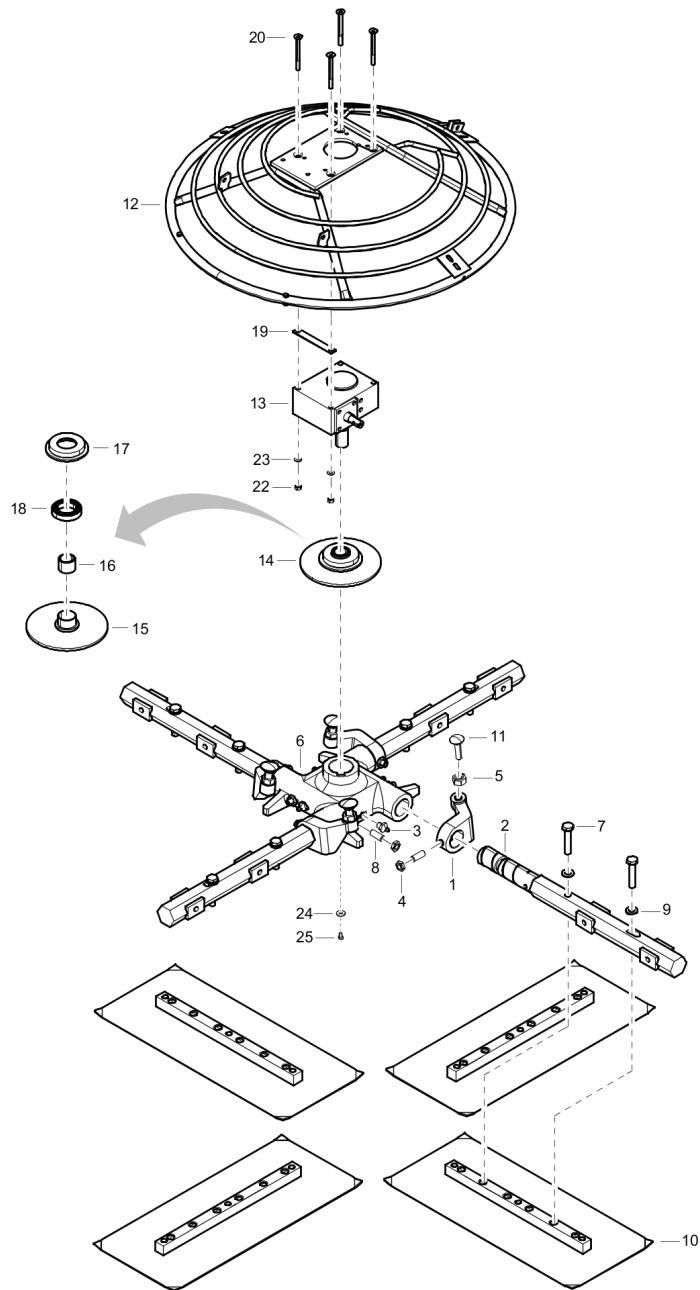


Refer to the Parts Online web page for most up-to-date information. The printed information might be outdated.

Item	Part No.	Name	Qty	L
1	595298201	Basic assembly	1	
2	595500101	Belt clutch gx160	1	
3	594958801	Cover	1	
4	594867701	Honda gx 160 mount	1	
5	595297801	Lifting handle	1	
6	595298301	Module handle 375	1	
7	595526201	Quick pitch	1	
8	594650201	Lock spring	2	
9	595212401	Hex Sock screw M10X40mm, (1.57")	2	
10	594123101	Locknut	2	
11	595501001	Signplate	1	
12	594123701	Plain washer	2	
13	594245801	Decal blade angle	1	
14	594332101	Decal	1	
16	595168301	Rivet	4	
17	595113301	Washer plain	2	
18	594124401	Spring washer	3	
19	595111301	Paraf.allen	2	
20	594120701	Hex sock. screw	3	
21	595297901	Lifting eye	1	
22	594642501	Captive screw M8x25, (.98".)	2	
23	595212301	Model and logo decal	1	

Refer to the Parts Online web page for most up-to-date information. The printed information might be outdated.

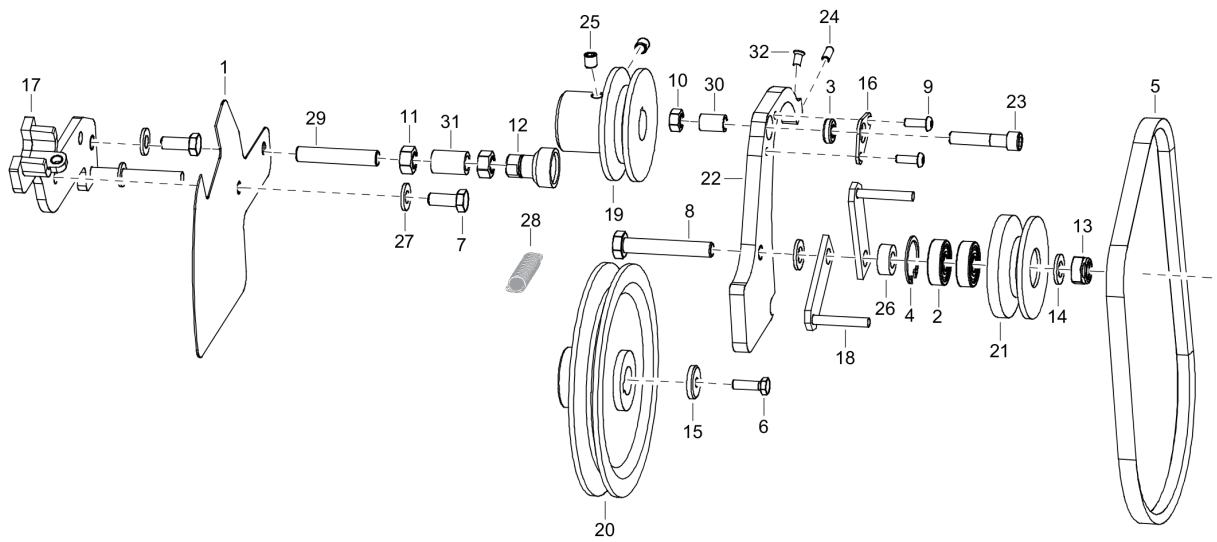
Mechanical Blade assembly



Refer to the Parts Online web page for most up-to-date information. The printed information might be outdated.

Item	Part No.	Name	Qty	L
1	-	Blade assy	1	
1	594246001	Arm	4	
2	594639701	Blade axle	4	
3	594126801	Grease nipple, M8	4	
4	595351701	Nut	8	
5	595029401	Nut hexagon	4	
6	594240301	Hub	1	
7	595033501	Hexagon bolt	8	
8	595346301	Set screw M8x20mm, (.98".)	8	
9	595036601	Washer DIN125	4	
10	594227601	Blades Finishing- Quick release set of 4 Pcs, Proline	4	A
11	595350801	Square neck bolt M10x40mm, (1.57".)	4	
12	595298101	Cage f900 bg375	1	
13	594226601	Gear box	1	
14	595136601	Pressure plate CPL	1	
15	594241701	Pressure plate	1	
16	594226801	Sleeve bearing	1	
17	594248601	Bearing plate	1	
18	595038101	Ball bearing	1	
19	595443701	Holder plate	1	
20	595349801	Hex.sock screw M10x110mm, (4.33".)	4	
21	594119001	Hex. head screw	1	
22	595029401	Nut hexagon	4	
23	595113301	Washer plain	4	
24	594124001	Washer, 13x36x6 mm, 0.51x1.42x0.24 ". 300HV	1	
25	595356801	Back-up washer, Ø 32.7 x 45 x 2.5 mm, (Ø 1.29 x 1.77 x 0.10 ".)	2	

Mechanical Belt Clutch GX160

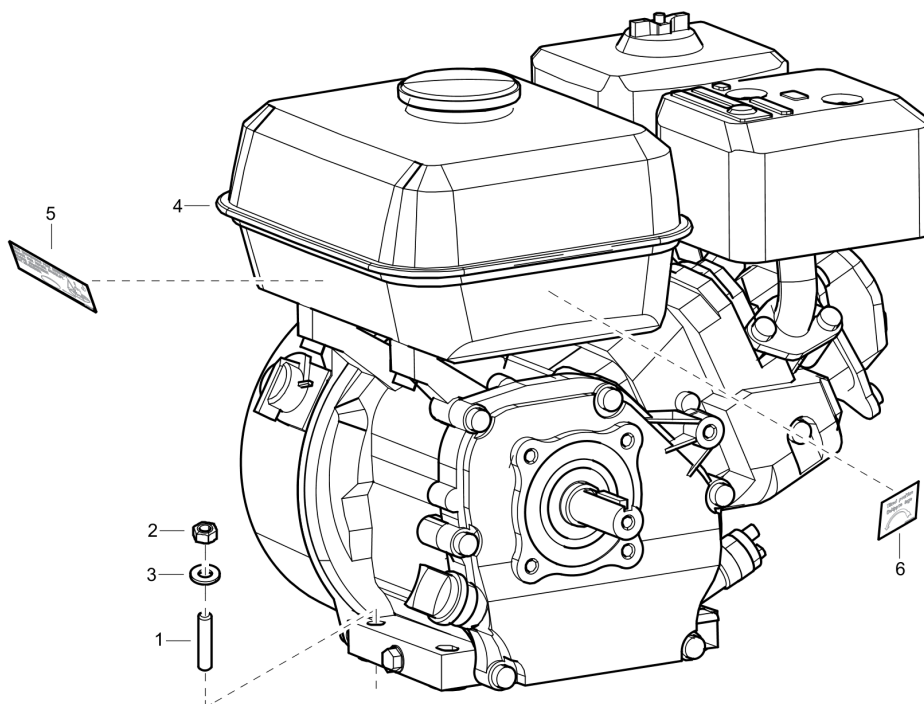


Refer to the Parts Online web page for most up-to-date information. The printed information might be outdated.

Item	Part No.	Name	Qty	L
1	594865501	Back plate	1	
2	594219701	Ball bearing	2	
3	594641101	Bearing	1	
4	595037301	Retaining ring	1	
5	595162201	V-belt	1	
6	595109801	Hex. head screw	1	
7	594117901	Hex. head screw m8 x 20	2	
8	595344901	Screw DIN933	1	
9	595211601	Hex. sock. button head screw M5x16mm, (.62".)	2	
10	595035701	Nut DIN934	1	
11	595029401	Nut hexagon	2	
12	594865601	Holder	1	
13	594122901	Locknut	1	
14	595113301	Washer plain	2	
15	595119201	Plain washer	1	
16	594864301	Plate	1	
17	594155401	Plate assembly	1	
18	594864401	Plate with pin	2	
19	594642001	Pulley	1	
20	594241601	Belt wheel	1	
21	594864501	Pulley	1	
22	594865701	Rocker 375	1	
23	594865801	Screw m8x40, (1.57".)	1	
24	595346101	Screw stopper M5x12 mm, (.47".)	1	
25	595346701	Set screw M8x8mm, (.31".)	2	
26	594159601	Spacer	1	
27	595113601	Conical washer M8 DIN 6796	2	
28	594867801	Spring	1	
29	595211501	Stud M10x55, (2.16".)	1	
30	595210901	Tube	1	
31	595211001	Tube	1	
32	595118301	Cable sleeve 1,5x7	1	

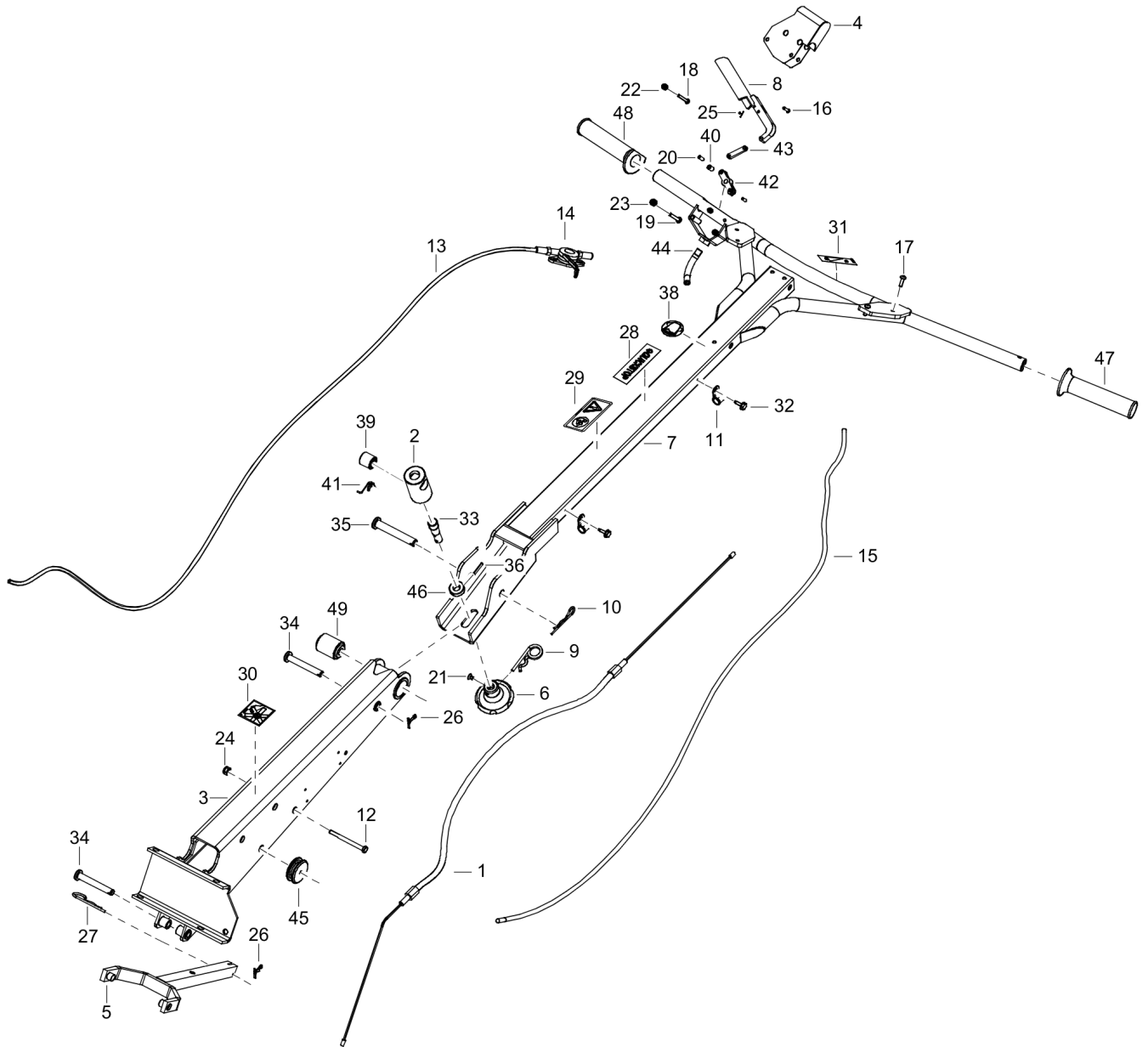
Refer to the Parts Online web page for most up-to-date information. The printed information might be outdated.

Mechanical Engine



Item	Part No.	Name	Qty	L
1	594747201	Stud, M8 x 40 mm, (1.57".)	4	A
2	595035701	Nut DIN934	4	
3	595113601	Conical washer M8 DIN 6796	4	
4	594161101	Honda GX160	1	
5	594245901	Decal remove disk	1	
6	595211201	Decal tilted position	1	

Mechanical Handle Assembly



Refer to the Parts Online web page for most up-to-date information. The printed information might be outdated.

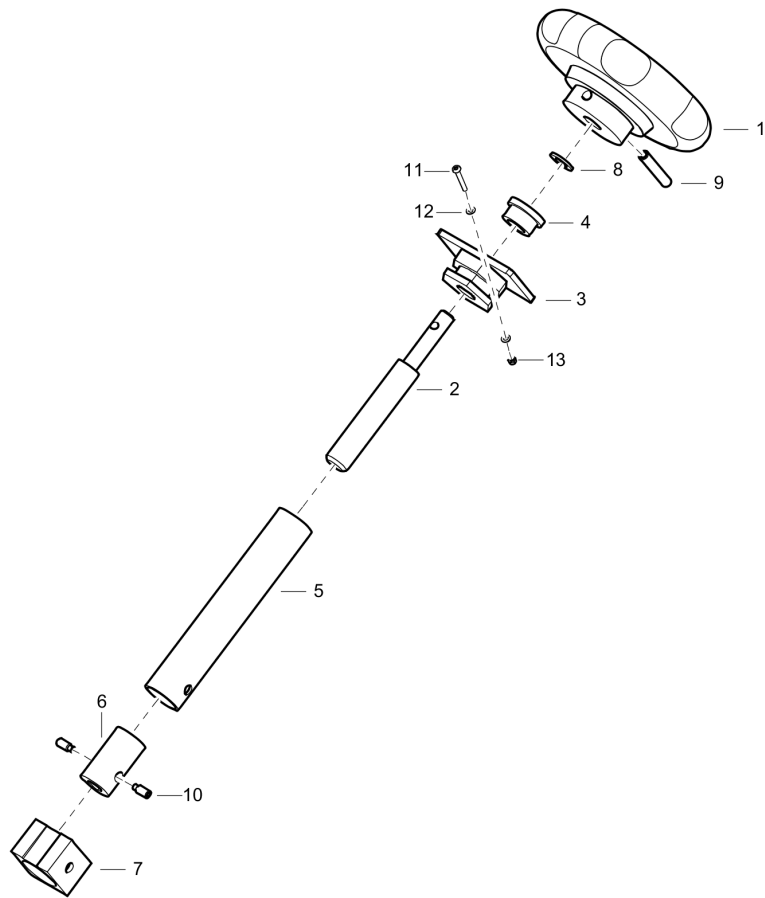
Item	Part No.	Name	Qty	L
1	594639001	Conductor tilt blade	1	
2	594865901	Bushing	1	
3	595298001	Console	1	
4	595279301	Cover	1	
5	594243801	Fork	1	
6	594641401	Handle	1	
7	595298601	Handle upper part	1	
8	595275801	Lever	1	
9	594866001	Locking clip	1	
10	595033101	Pin spring f2.5 br a2k	1	
11	595114601	Clamp	2	
12	594117801	Hexagon bolt	1	
13	594639201	Gas wire	1	
14	594224101	Trottle control	1	
15	594640501	Blade adjusting wire	1	
16	594641301	Clevis pin	1	
17	595211601	Hex. sock. button head screw M5x16mm, (.62".)	2	
18	595500501	Hex. sock. button head screw M4x30, (1.18 ".)	2	
19	595526301	Hex. sock. button head screw M5x30, (1.18".)	2	
20	-	Set screw	2	
21	594750601	Screw M5	1	
22	595351901	Locknut M4	2	
23	595112401	Nut	2	
24	595352001	Nut lock hex m6	1	
25	595033001	Split pin	1	
26	594117301	Split pin, 3.2 x 28 mm, (0.13 x 1.10 ".)	2	
27	594117501	Locking clip	1	
28	595119101	Decal quick stop	1	
29	594162701	Decal safety	1	
30	594163001	Label, cutting hazards	1	
31	595211301	Decal min max	1	
32	595355801	Drilling screw 4.8x16	2	
33	594641201	Stud	1	
34	595109601	Pin 10x70mm, (2.75".)	2	
35	595210701	Pin 12x80mm, (3.14".)	1	
36	595109401	Spring pin f4h24	1	
38	594337101	Label, use ear protectors	1	
39	594863801	Ultra sleeve	1	

Refer to the Parts Online web page for most up-to-date information. The printed information might be outdated.

Item	Part No.	Name	Qty	L
40	594640701	Bronze bushing	1	
41	594638801	Spring	1	
42	594640401	Lever	1	
43	594640801	Lever	1	
44	594865201	Pipe joint	1	
45	594863601	Pulley	1	
46	594866101	Support washer	1	
47	594223301	Rubber handle	1	
48	594866201	Rubber handle	1	
49	594863701	Damping sleeve	1	

This page intentionally left blank

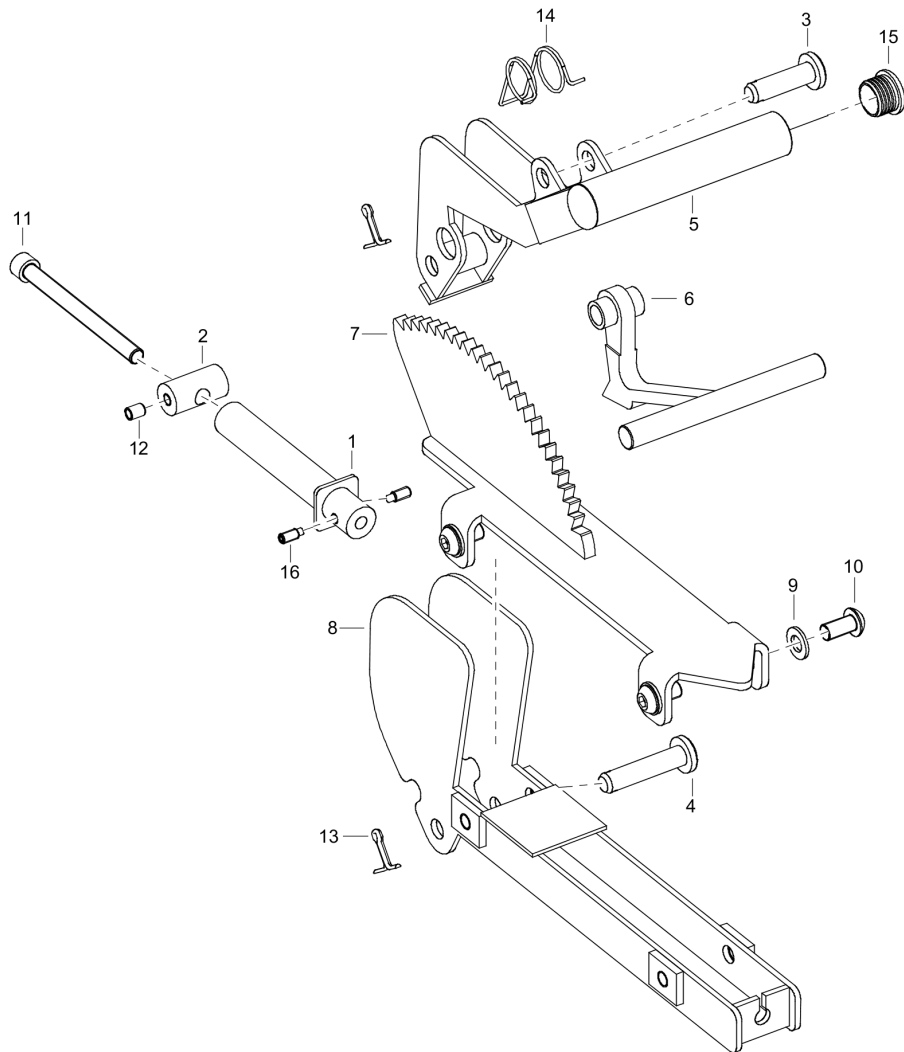
Mechanical Screw regulator TP



Item	Part No.	Name	Qty	L
1	595364401	Handle - developing	1	
2	595442801	Adjusting screw	1	A
3	594779501	Holder with sleeve	1	
4	594219801	Flange bearing	1	
5	594246401	Adjusting nut	1	
6	594246101	Shortstop cable	1	
7	595140201	Guiding	1	
8	595113301	Washer plain	1	
9	595109501	Spring pin 5x30, (1.18".)	1	
10	-	Screw stopper M5x12 mm, (.47".)	2	
11	595211701	Hex.sock.button head screw M5x40 (1.57".)	3	
12	594123801	Plain washer	6	
13	595112401	Nut	3	

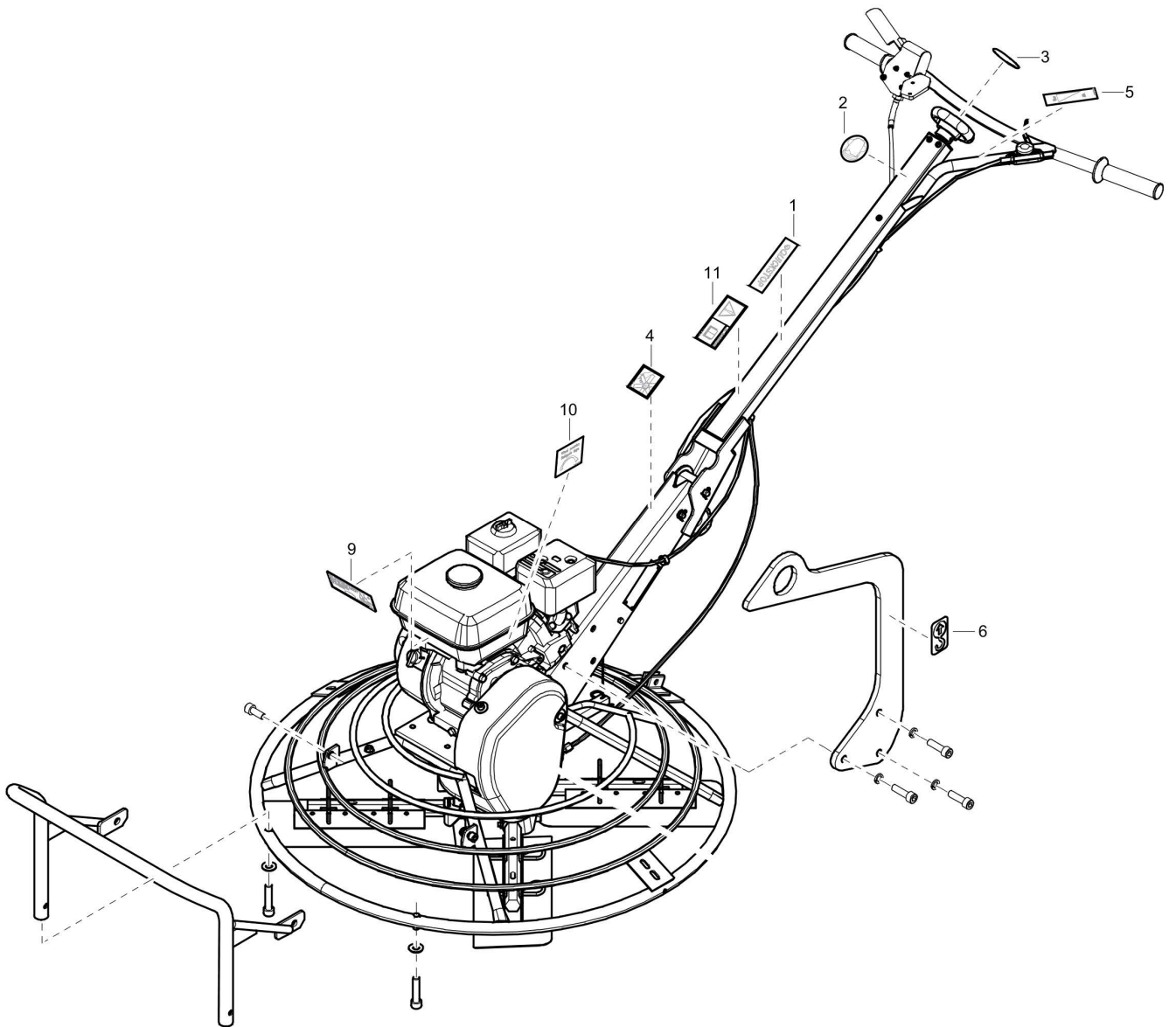
Refer to the Parts Online web page for most up-to-date information. The printed information might be outdated.

Mechanical Quick pitch



Item	Part No.	Name	Qty	L
1	-	Adjusting nut cpl.	1	
2	595140701	Bracket	1	
3	595343801	Clevis pin	1	
4	595343901	Clevis pin, Ø10 x 40 mm, (1.57".)	1	
5	595499401	Handle	1	
6	595499501	Handle	1	
7	595500001	Holder with disc	1	
8	595499301	Lever bracket	1	
9	595036601	Washer DIN125	1	
10	-	Screw iso7380	4	
11	595502101	Screw m8x90 mm, (3.54".)	1	
12	595346601	Set screw, M6 x 8 mm, (.31".)	1	
13	594117301	Split pin, 3.2 x 28 mm, (0.13 x 1.10 ".)	2	
14	595499901	Spring	1	
15	594230701	Tube plug	2	
16	-	Screw stopper M5x12 mm, (.47".)	2	

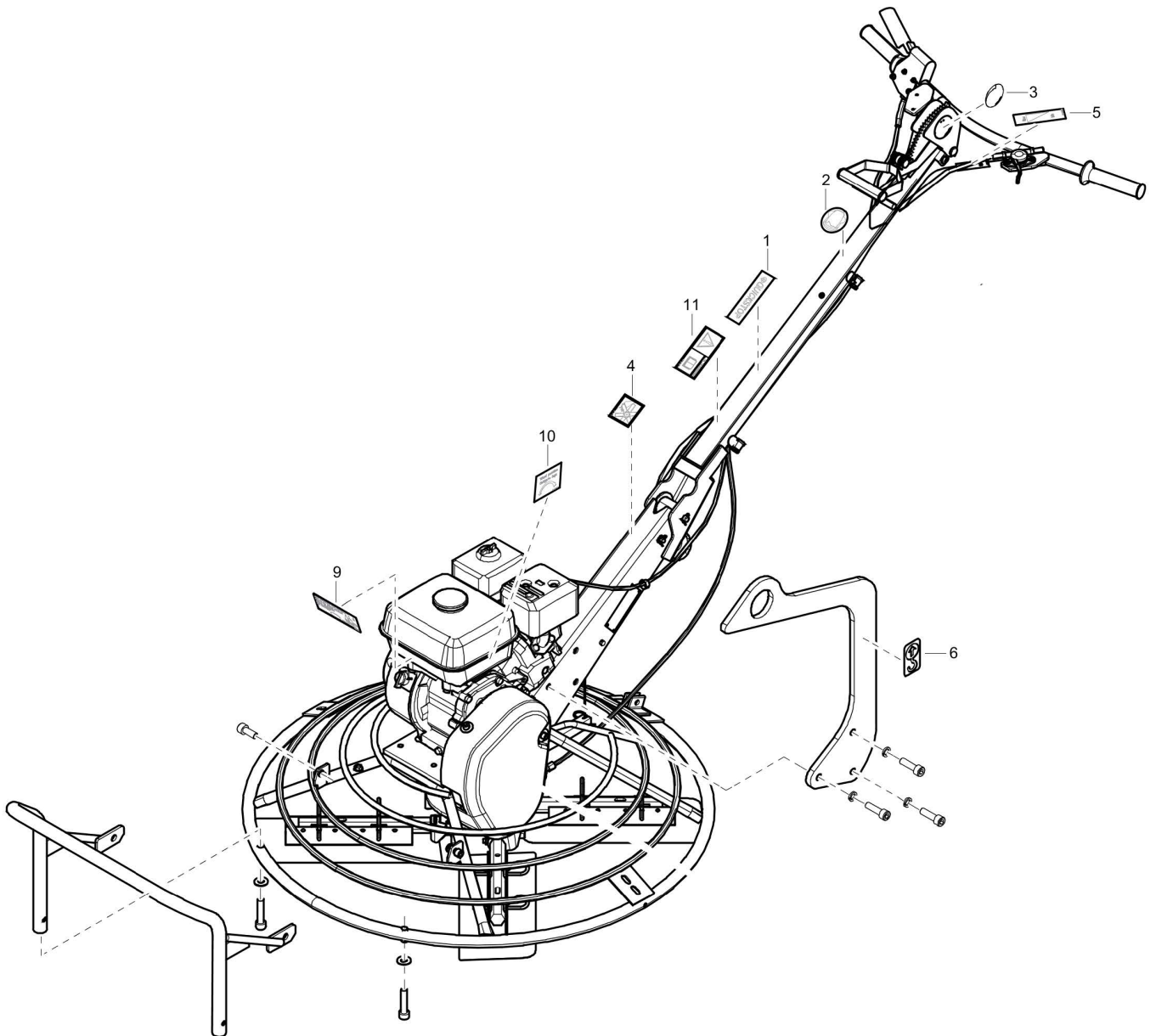
Mechanical Labels TP



Refer to the Parts Online web page for most up-to-date information. The printed information might be outdated.

Item	Part No.	Name	Qty	L
1	595119101	Decal quick stop	1	
2	594337101	Label, use ear protectors	1	
3	594245801	Decal blade angle	1	
4	594163001	Label, cutting hazards	1	
5	595211301	Decal min max	1	
6	594332101	Decal	1	
8	595212301	Model and logo decal	1	
9	594245901	Decal remove disk	1	
10	595211201	Decal tilted position	1	
11	594162701	Decal safety	1	

Mechanical Labels QP



Item	Part No.	Name	Qty	L
1	595119101	Decal quick stop	1	
2	594337101	Label, use ear protectors	1	
3	594245801	Decal blade angle	1	
4	594163001	Label, cutting hazards	1	
5	595211301	Decal min max	1	
6	594332101	Decal	1	
8	595212301	Model and logo decal	1	
9	594245901	Decal remove disk	1	
10	595211201	Decal tilted position	1	
11	594162701	Decal safety	1	

Accessories Consumables

NO EXPLODED VIEW
AVAILABLE
FOR THIS BOM

Item	Part No.	Name	Qty	L
1	594240201	Floating disc, 2.5 mm (0.10 ".), thick Classicline	1	
2	594243601	Floating disc, 3 mm (0.12 ".), thick Proline	1	
3	594198301	Floating blades- Quick release set of 4 Pcs Proline	1	A
4	594227601	Blades Finishing- Quick release set of 4 Pcs, Proline	1	B
5	594711101	Finishing blades-Bolt On- Set of 4 Pcs.	1	
7	594866901	Combination blade 1.6mm Quick release ProLine	1	
6	594867301	Plastic blade10mm Quick release ProLine	1	
8	594866801	Combination blade 1.6mm BoltOn ClassicLine	1	

Kits Service kit, Honda GX 160

NO EXPLODED VIEW
AVAILABLE
FOR THIS BOM

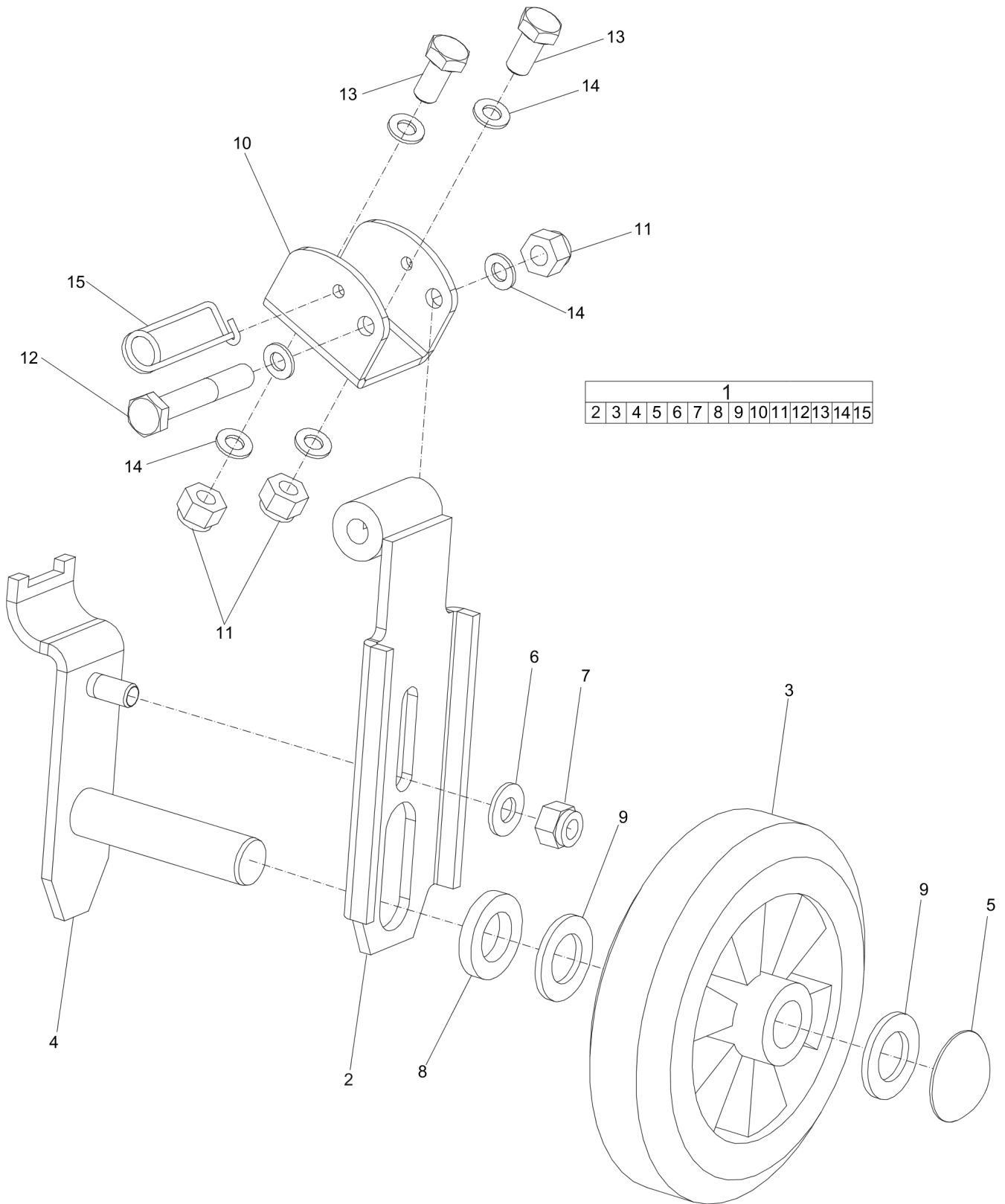
Item	Part No.	Name	Qty	L
1	594200201	One year service kit	1	
1	594302101	Air Filter, complete	1	
2	595048901	Oil plug gasket	1	
3	595049101	Starting rope	1	
4	594544301	Spark plug	1	
5	595048801	Gasket	1	

Kits Maintenance kit, Honda GX 160 and 200, short handle

NO EXPLODED VIEW
AVAILABLE
FOR THIS BOM

Item	Part No.	Name	Qty	L
1	594859301	Maintenance kit	1	
-	595162201	V-belt	1	
-	594639201	Gas wire	1	
-	594640501	Blade adjusting wire	1	
-	594639001	Conductor tilt blade	1	

Kits Transport device kit



Refer to the Parts Online web page for most up-to-date information. The printed information might be outdated.

Item	Part No.	Name	Qty	L
1	594751501	Transport device kit	1	
2	595502701	Arm	2	
3	594224201	Wheel	2	
4	595122801	Bracket	2	
5	594768901	Locking washer	2	
6	--	Washer, 10.5 x 22 x 2 mm, (0.41 x 0.87 x 0.08 ".) 300 HV	2	
7	--	Lock nut, M10	2	
8	--	Washer, 21 x 36 x 6 mm 300 HV, (0.83 x 1.42 x 0.24 ".) 300 HV	2	
9	--	Washer, 21 x 36 x 3 mm 300 HV, (0.83 x 1.42 x 0.12 in".) 300 HV	4	
10	595526501	Attachment	2	
11	--	Lock nut, M10	6	
11	--	Lock nut, M10	6	
11	--	Lock nut, M10	6	
11	--	Lock nut, M10	6	
12	--	Screw, M10 x 70 mm, (2.75".)	2	
13	--	Screw, M10 x 25 mm, (.98".)	4	
14	--	Washer, 10 x 2 mm, (0.39 x 0.08 ".)	12	
15	594161801	Hair pin	2	

Kits Gear box seal kit

NO EXPLODED VIEW
AVAILABLE
FOR THIS BOM

Item	Part No.	Name	Qty	L
1	594206901	Gear box seal kit	1	
2	-	Cover seal, 62 mm, (2.44 ".)	1	
3	-	Cover seal, 60 mm, (2.36 ".)	1	
4	-	Shaft seal, 45 mm, (1.77 ".)	1	
5	-	Shaft seal, 30 mm, (1.18 ".)	1	