

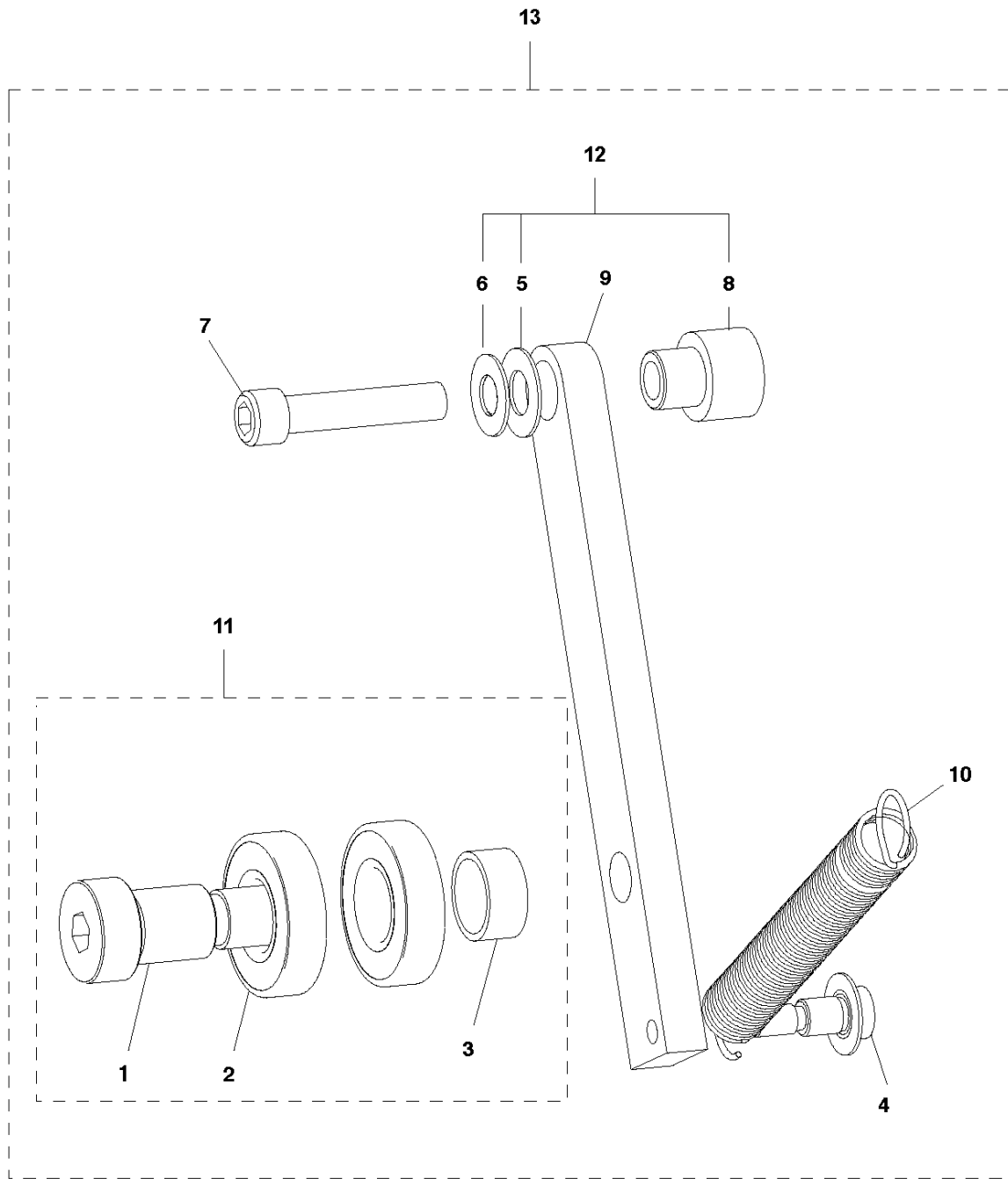


# SPARE PARTS LIST

EARLY ENTRY SAWS

Soff-Cut 150, 2015-02

**B** SOFF CUT X150  
BELT TENSIONER

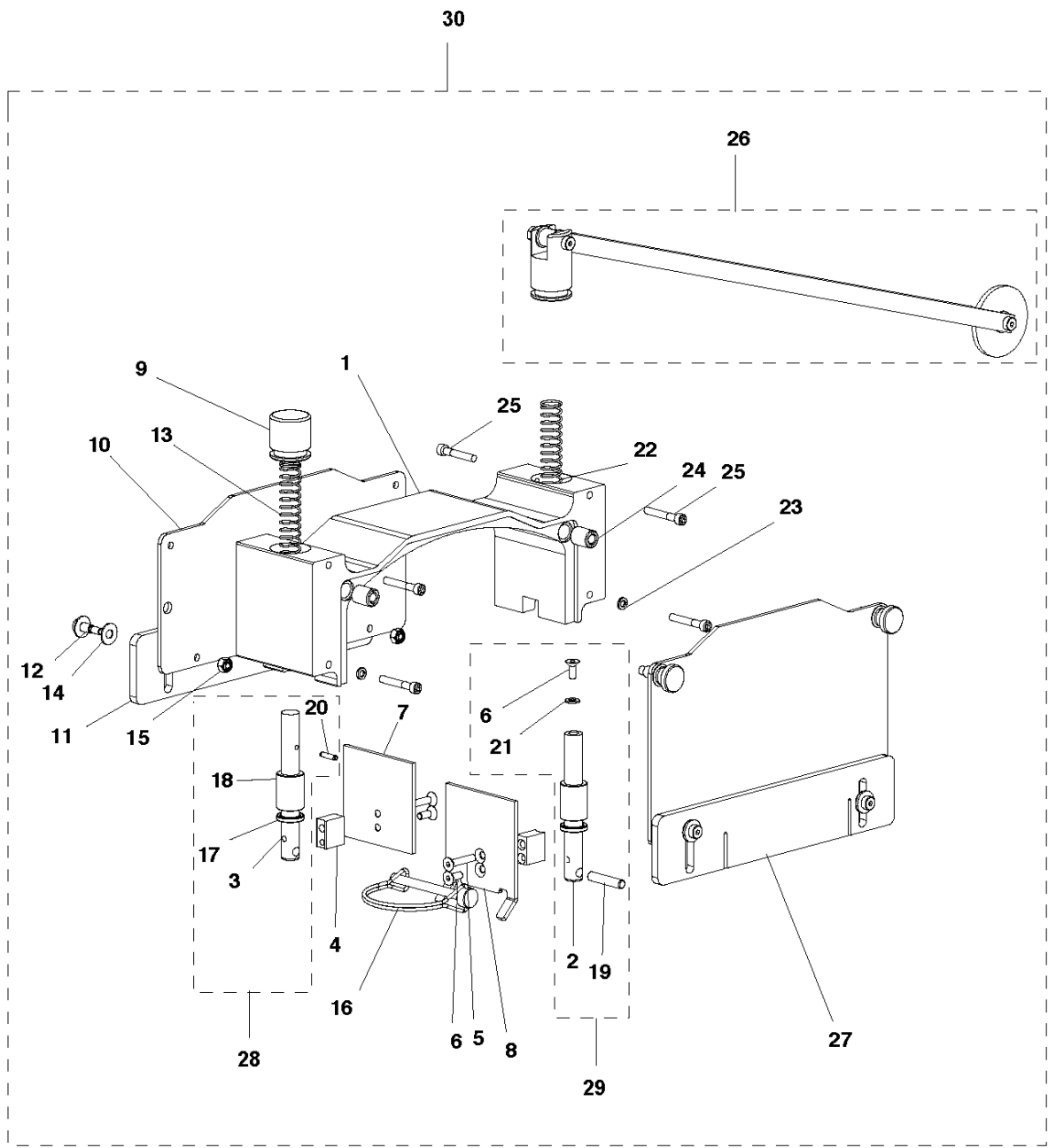


## BELT

Soff-Cut 150, 2015-02

Ref	Part No	Description	Remark	QTY	KIT
1	505 72 62-01	SHSB 5/8 X 3/4 BLK STL		1	11
2	505 73 60-01	IDLER PULLEYS BLK SEAL SGL LIP		2	11
3	505 71 46-02	SPACER		1	11
4	505 72 65-01	SHSB 5/16 X 3/8 BLK STL		1	
5	505 63 45-01	FLAT WSHR .750X.379 X.031 DEL		1	12
6	505 72 52-01	.625 X .312 X .032 SS WASHER F		2	12
7	505 59 19-01	SHC 5/16-24 X 1 1/2 S.S.		1	
8	505 58 90-01	SPACER		1	12
9	505 58 73-01	IDLER ARM		1	
10	505 73 79-01	SPRING		1	
11	505 85 66-01	X150 BELT TENSIONER PULLEY KIT		1	
12	505 85 65-01	X150 BELT TENSIONER ARM KIT		1	
13	505 87 59-01	X150 BELT TENSIONER COMPLETE	Complete		

**G** SOFF CUT X150  
BLADE BLOCK ASSEMBLY

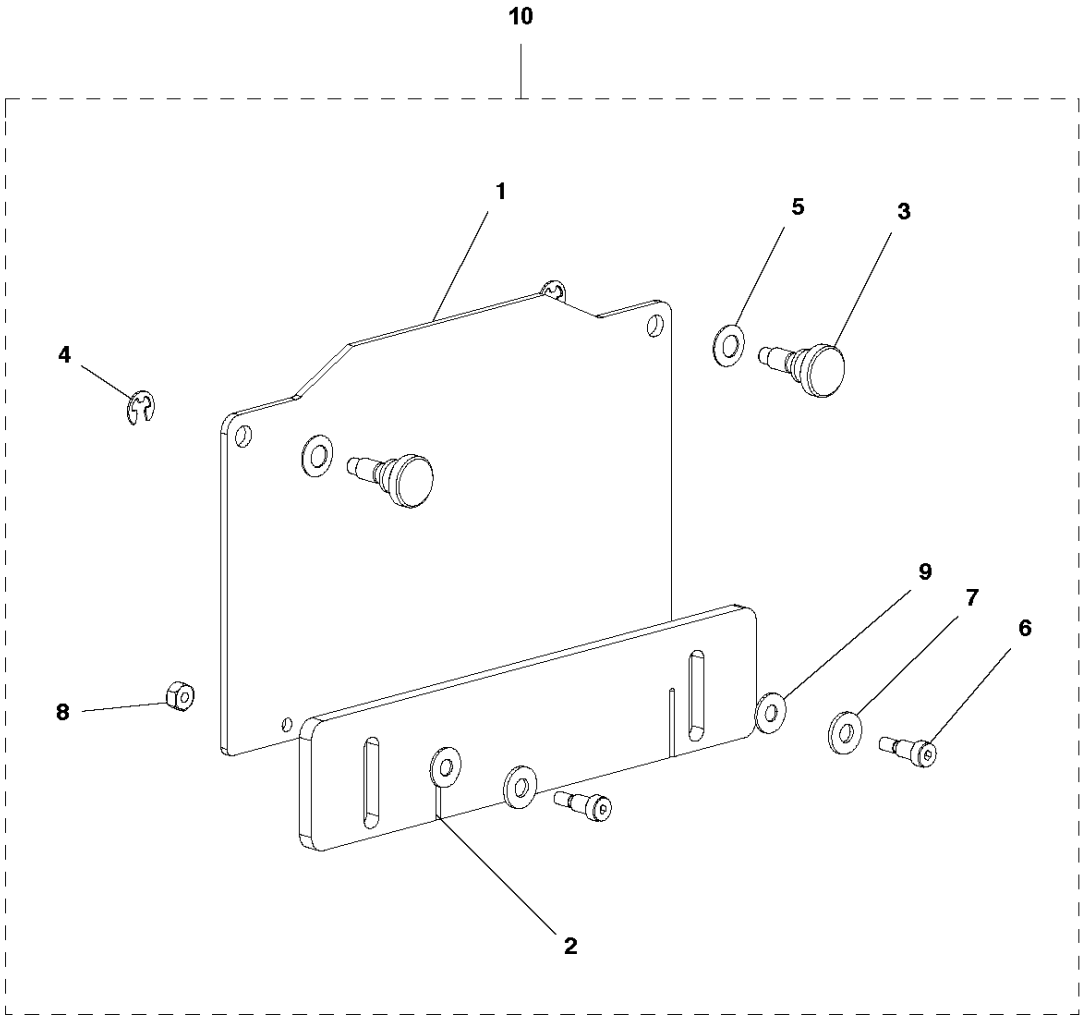


## BLADE BLOCK

Soff-Cut 150, 2015-02

Ref	Part No	Description	Remark	QTY	KIT
1	505 58 78-01	BLADE BLOCK		1	
2	505 58 82-01	FRONT SHAFT. B.B.		1	29
3	505 58 85-01	REAR SHAFT. B.B.		1	28
4	505 58 88-01	SPACER		2	
5	505 73 00-01	FHS 10-32-1 S.S.		2	
6	505 72 99-01	FHS 10-32-1/2 S.S.		3	
7	505 58 77-01	REAR DIVERTER		1	
8	510 33 77-01	PLATE		1	
9	505 58 86-01	CAP BLD. BLOCK SHAFT		1	
10	505 58 76-01	REAR COVER. B.B. NEW		1	
11	505 58 79-01	LEXAN. INNER		1	
12	505 68 64-01	SHSB 1/4 X 3/8 BLK STL		2	
13	505 59 30-01	SPRING		1	
14	505 63 44-01	FLAT WASHER .600 X .253 X .040		4	
15	505 63 04-01	NYLOC NUT #10-24 CAD.PL.		2	
16	505 77 54-01	SNAPPER PIN 1/4 X 2 1/2		1	
17	505 59 35-01	DUST SEAL X150		2	28
18	505 59 34-01	BRONZE BUSHING X150 B.B.		2	28
19	505 77 40-01	PRECISION DOW PIN 1/4 X 1 1/4		1	29
20	505 59 27-01	ROLL PIN 1/8" X 9/16"		1	
21	734 11 46-01	WASHER		1	
22	505 59 31-01	SPRING		1	
23	505 63 31-01	LK WASH #10 SPLIT SS		2	
24	505 74 83-01	THREADED INSERT S.S.		2	
25	505 59 14-01	SHC 10-32X1 1/4 S.S.		4	
26	505 87 63-01	GUIDE ARM. X150		1	
27	505 85 67-01	X150 BLADE BLOCK COVER		1	
28	505 87 62-01	B.B. REAR SHAFT. X150		1	
29	505 85 67-01	X150 BLADE BLOCK COVER		1	
30	505 85 67-01	X150 BLADE BLOCK COVER	Complete		

**H** SOFF CUT X150  
BLADE BLOCK COVER

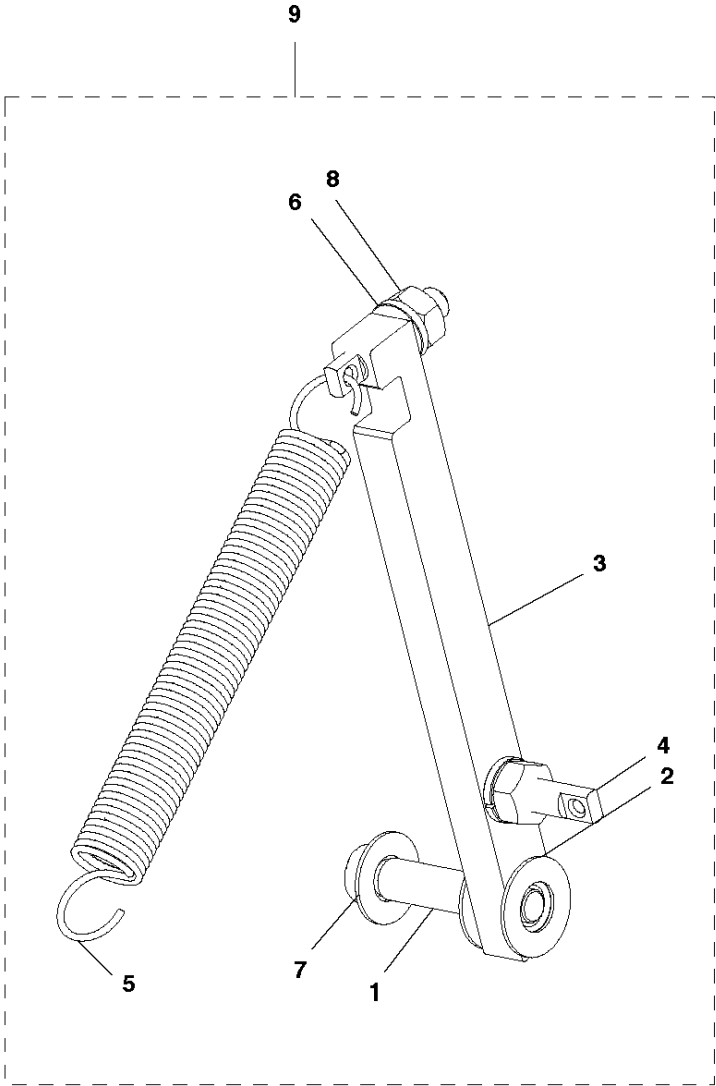


## BLADE BLOCK COVER

Soff-Cut 150, 2015-02

Ref	Part No	Description	Remark	QTY KIT
1	505 58 74-01	FRONT COVER. B.B.		1
2	505 58 80-01	LEXAN. OUTER		1
3	505 53 63-01	KNOB		2
4	505 53 65-01	E-CLIP		2
5	505 53 64-01	WASHER		2
6	505 68 64-01	SHSB 1/4 X 3/8 BLK STL		2
7	505 63 20-01	FLAT WASHER 1/4 X .062 AN960C4		2
8	505 63 04-01	NYLOC NUT #10-24 CAD.PL.		2
9	505 63 44-01	FLAT WASHER .600 X .253 X .040		2
10	505 85 67-01	X150 BLADE BLOCK COVER	Complete	

**E** SOFF CUT X150  
BLADE RELEASE ARM



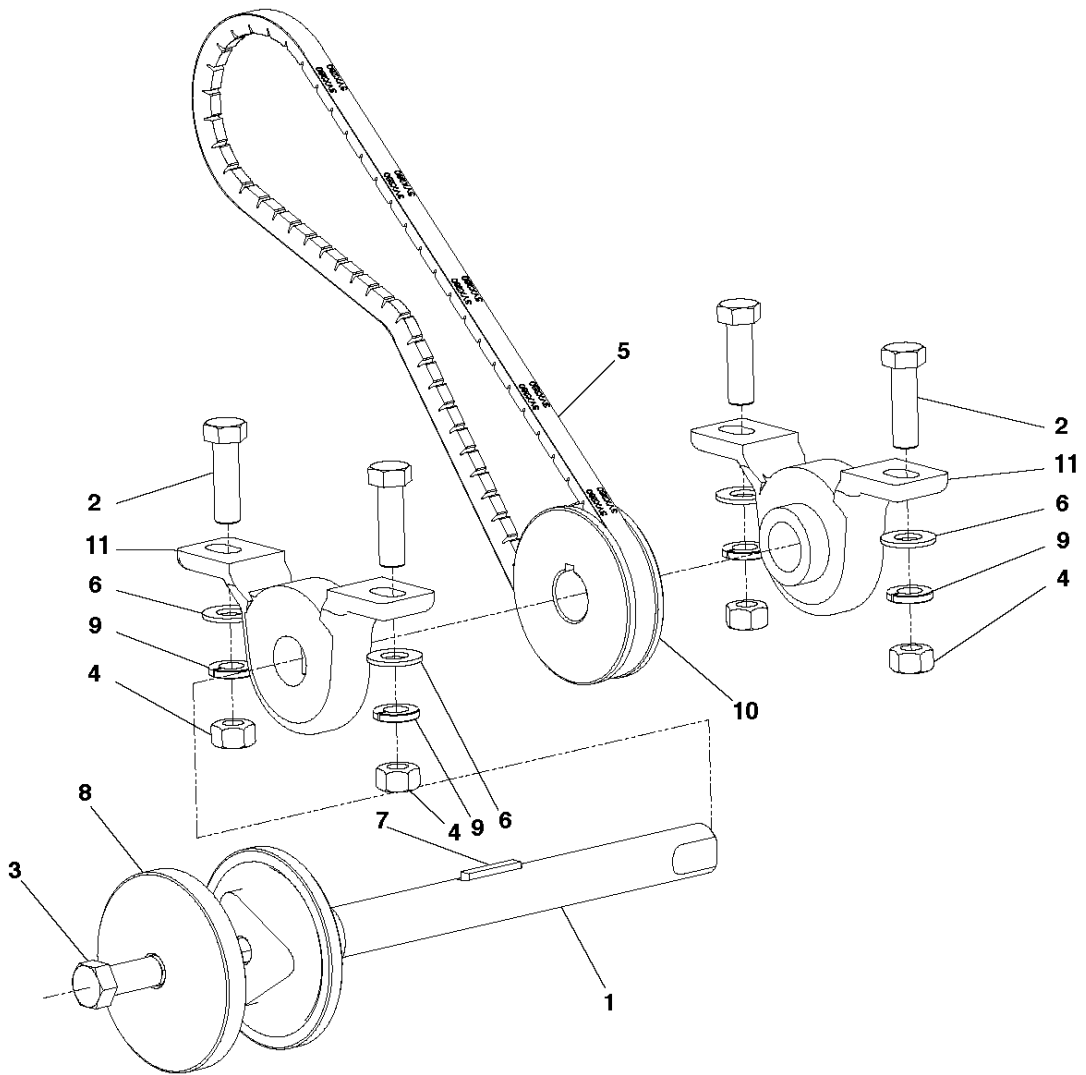


## BLADE RELEASE ARM

Soff-Cut 150, 2015-02

Ref	Part No	Description	Remark	QTY KIT
1	505 72 67-01	SHSB 5/16 X 1 BLK STL		1
2	505 63 45-01	FLAT WSHR .750X.379 X.031 DEL		2
3	505 58 70-01	BLADE RELEASE LEVER		1
4	505 77 45-01	SPRING ANCHORS		2
5	505 73 79-01	SPRING		1
6	505 63 28-01	LK WASH 1/4 SPLIT SS		2
7	505 72 52-01	.625 X .312 X .032 SS WASHER F		1
8	505 63 19-01	JAM NUT 1/4-20 STAINLESS STEEL		2
9	510 27 27-11	ASSEMBLY	Complete	

**C** SOFF CUT X150  
BLADE SHAFT ASSEMBLY

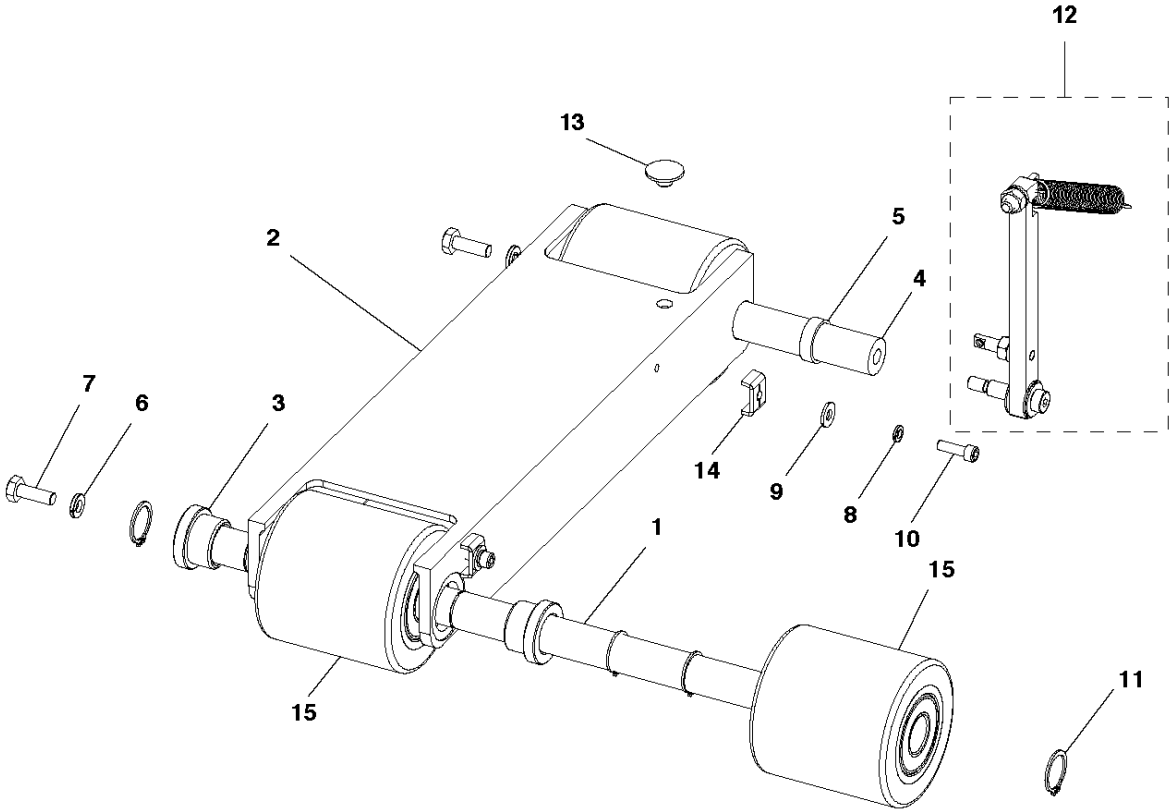


## BLADE SHAFT

Soff-Cut 150, 2015-02

Ref	Part No	Description	Remark	QTY KIT
1	505 58 84-01	BLADE SHAFT		1
2	539 97 69-41	SCREW		4
3	505 57 34-01	BOLT		1
4	539 99 01-30	NUT		4
5	541 20 15-69	V-BELT		1
6	539 99 05-17	WASHER		4
7	510 31 73-01	KEY		1
8	505 49 15-02	WASHER		1
9	505 73 10-01	LK WASH 3/8 SPLIT SS		4
10	505 59 32-01	1/3V265JA SHEAVE		1
11	505 59 20-01	BLADE SHAFT BEARINGS FOR X150		2

**D** SOFF CUT X150  
WHEEL CARRIAGE ASSEMBLY

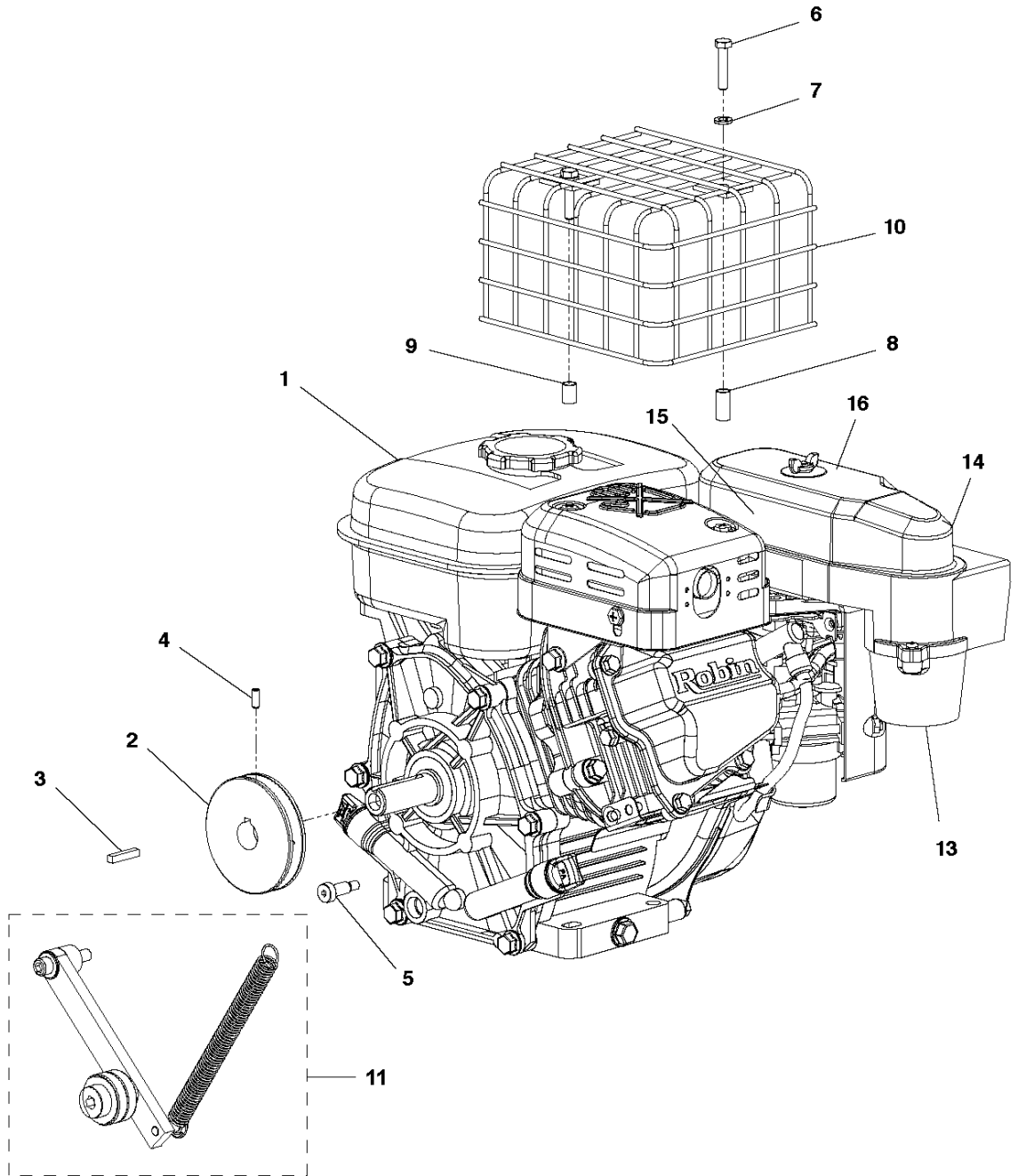


## CARRIAGE

Soff-Cut 150, 2015-02

Ref	Part No	Description	Remark	QTY KIT
1	505 58 67-01	REAR AXLE		1
2	505 58 68-01	FRAME. FRONT WHEEL CARRIAGE		1
3	505 58 69-01	BUSHING		2
4	505 58 81-01	FRONT AXLE		1
5	505 58 89-01	SPACER		2
6	505 63 28-01	LK WASH 1/4 SPLIT SS		2
7	505 62 75-01	HEX BOLT 1/4-20-3/4 S.S.		2
8	505 63 31-01	LK WASH #10 SPLIT SS		2
9	505 63 53-01	FLAT WASH #10 S.S		2
10	505 72 97-01	SHC 10-32 X 5/8 S.S.		2
11	505 73 35-01	SNAP RING		4
12	510 27 27-11	ASSEMBLY		1
13	505 62 53-01	S.S. BUTTON *****		1
14	505 64 89-01	BOLT		2
15	505 86 34-01	G1000 FRONT WHEEL		3

**A** SOFF CUT X150  
SUB ASSEMBLY

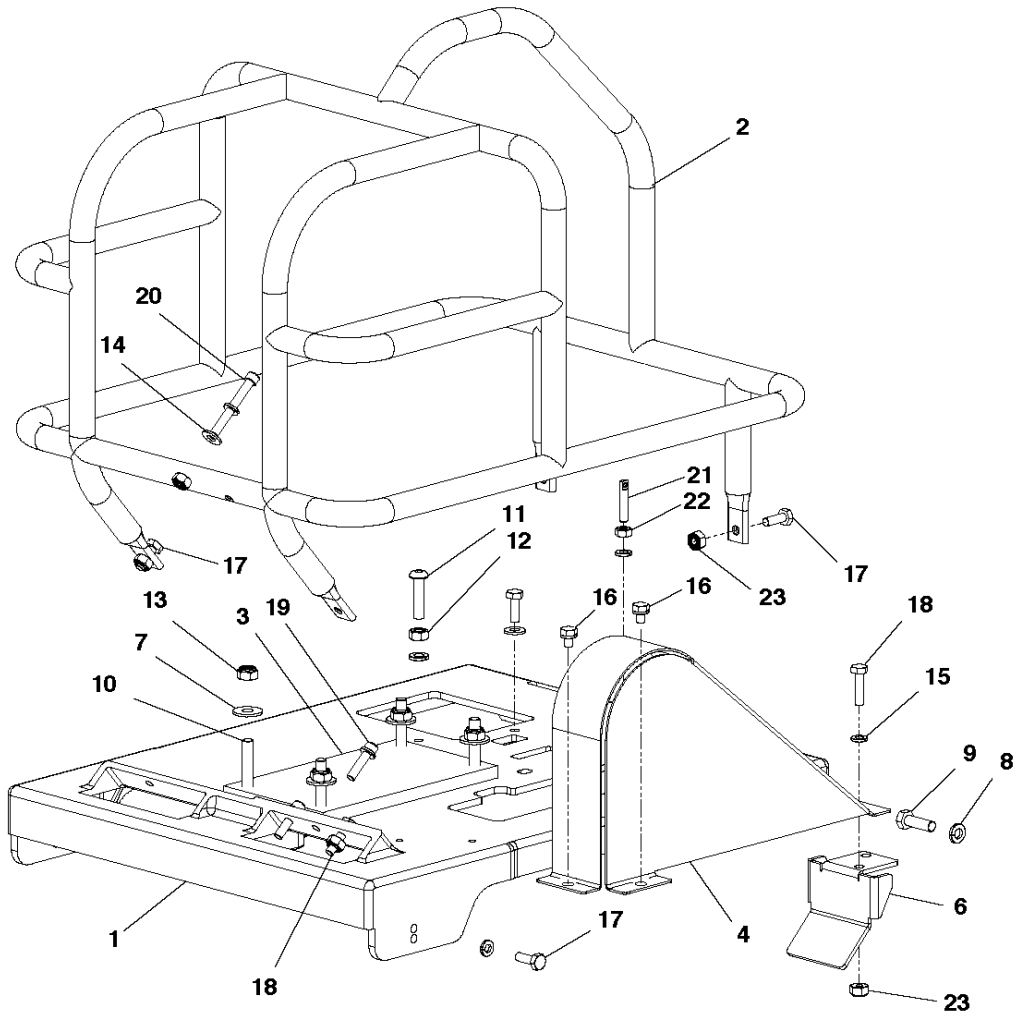


## ENGINE

Soff-Cut 150, 2015-02

Ref	Part No	Description	Remark	QTY KIT
1	505 59 39-01	X150 ENGINE		1
2	505 59 33-01	1/3V315JA SHEAVE		1
3	510 31 73-01	KEY		1
4	505 63 01-01	SET SCREW S.S. 10-32 X 1/2		2
5	505 59 15-01	SHSB M8 X 16		1
6	725 23 74-51	SCREW EHHM		2
7	505 63 28-01	LK WASH 1/4 SPLIT SS		2
8	505 68 44-01	3/8 O.D. X .770 LONG X .028 WA		1
9	510 34 61-01	SPACER. 5/16" ID X .500" L		1
10	505 84 16-01	MUFFLER GUARD		1
11	505 87 59-01	X150 BELT TENSIONER COMPLETE		1
13	505 60 06-01	ROTARY BLADE. CUP		1
14	505 89 01-01	X150 CYCLONE COVER	Complete Cover	1
15	505 59 94-01	AIR FILTER		1
16	505 59 40-01	RECOIL STARTER		1

**K** SOFF CUT X150  
MAIN FRAME ASSEMBLY



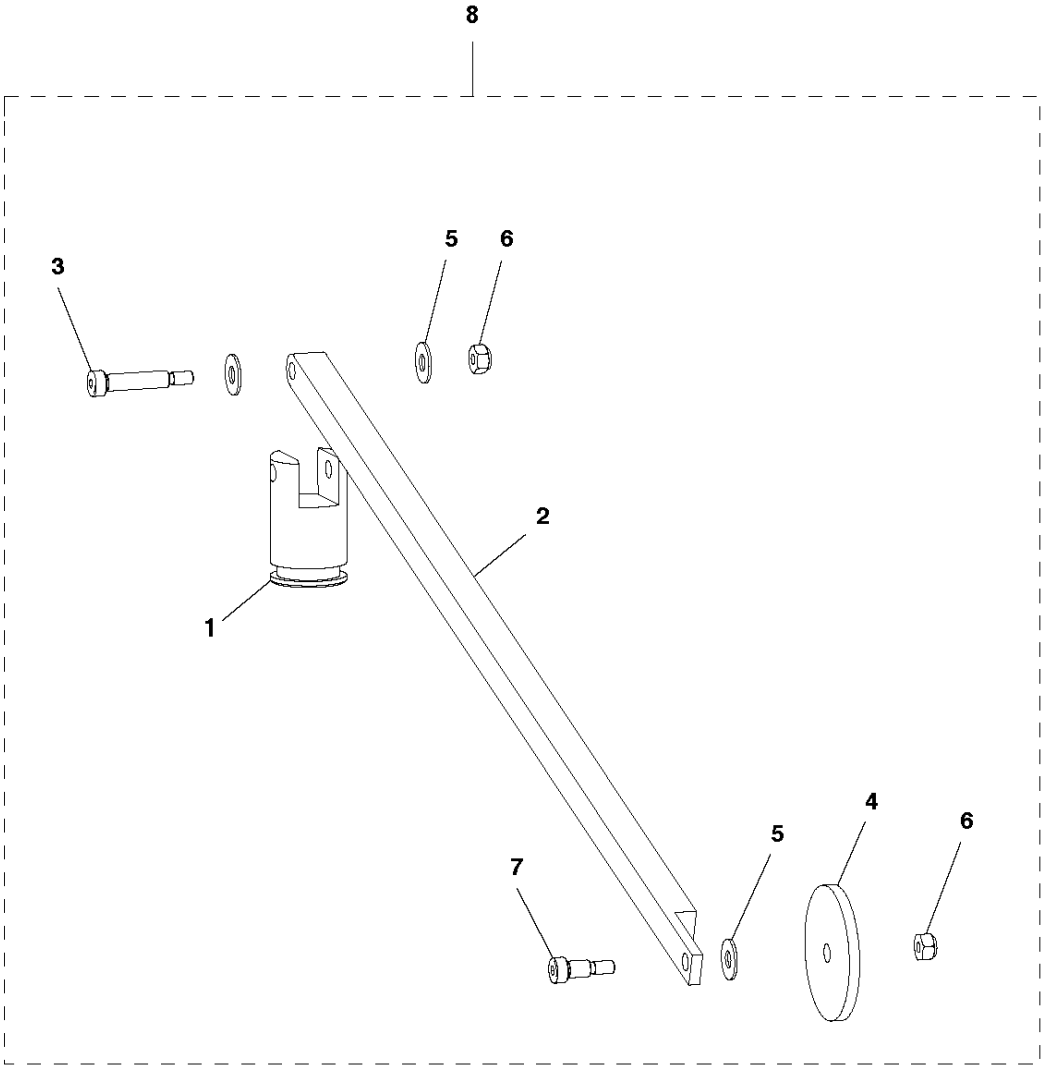


## FRAME

Soff-Cut 150, 2015-02

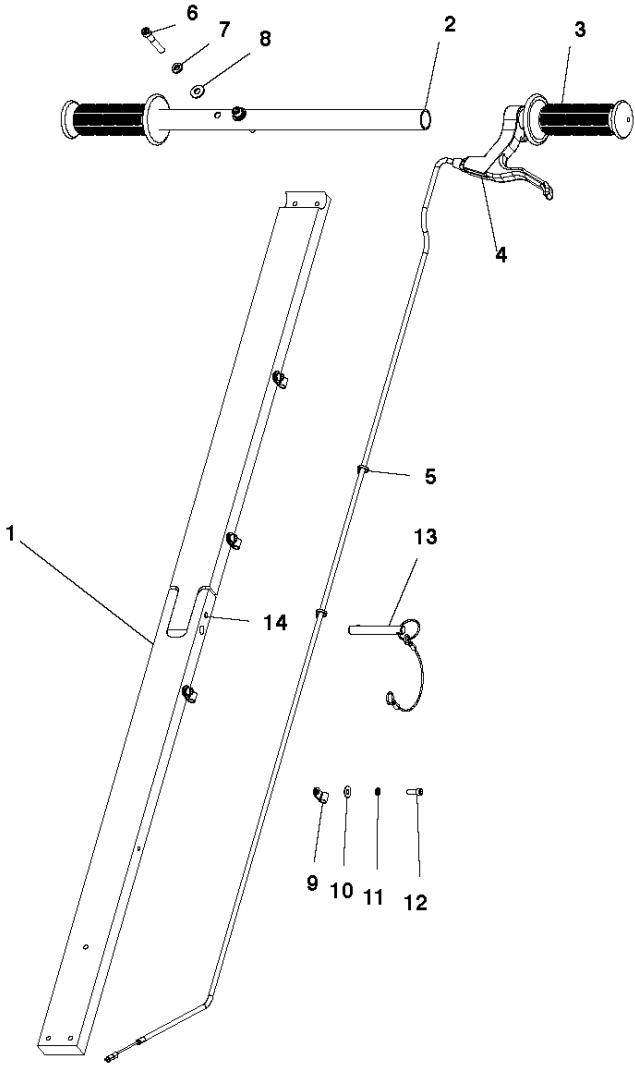
Ref	Part No	Description	Remark	QTY KIT
1	505 58 65-01	BOTTOM PLATE		1
2	581 26 27-01	GUARD		1
3	505 65 54-01	MOTOR BUSHING		1
4	505 60 13-01	BELT GUARD		1
6	505 58 95-01	PULLEY COVER		1
7	541 20 47-80	FLATWASHER. 5/16 PLTD		4
8	505 63 30-01	LK WASH 5/16 SPLIT SS		3
9	539 99 02-09	SCREW		2
10	505 68 77-01	HEX BOLT 5/16-18 X 2 GRADE 8		4
11	505 62 97-01	BHS 5/16-18-1 1/4 S.S.		1
12	539 99 01-96	NUT		1
13	539 99 07-17	NUT		4
14	505 63 20-01	FLAT WASHER 1/4 X .062 AN960C4		1
15	505 63 28-01	LK WASH 1/4 SPLIT SS		11
16	505 62 73-01	HEX BOLT 1/4-20-3/8 S.S.		2
17	505 62 75-01	HEX BOLT 1/4-20-3/4 S.S.		5
18	505 72 73-01	HEX BOLT 1/4-20-1 STAINLESS ST		3
19	505 62 79-01	SHC 1/4-20-1 S.S.		2
20	505 72 89-01	SHC 1/4-20-2 S.S.		1
21	505 77 45-01	SPRING ANCHORS		1
22	505 63 19-01	JAM NUT 1/4-20 STAINLESS STEEL		2
23	505 63 05-01	NYLOC NUT 1/4-20 CAD PL.		7

**J** SOFF CUT X150  
GUIDE ARM ASSEMBLY



Ref	Part No	Description	Remark	QTY KIT
1	505 58 87-01	FRONT CAP BLD. BLOCK SHAFT		1
2	505 57 30-01	ARM		1
3	505 72 59-01	SHSB 1/4 X 1 BLK STL		1
4	505 61 42-01	G.M.WHEEL (YEL)		1
5	505 63 44-01	FLAT WASHER .600 X .253 X .040		3
6	505 63 04-01	NYLOC NUT #10-24 CAD.PL.		2
7	505 68 64-01	SHSB 1/4 X 3/8 BLK STL		1
8	506 87 63-01	BRACKET	Complete	

**F** SOFF CUT X150  
HANDLE ASSEMBLY



## HANDLE

Soff-Cut 150, 2015-02

Ref	Part No	Description	Remark	QTY KIT
1	505 87 58-01	X150 HANDLES UPPER/LOWER		1
2	505 58 83-01	HANDLE TUBE		1
3	505 60 11-01	HANDLE GRIP		2
4	505 48 27-01	CABLE		1
5	510 33 17-01	TIE WRAP		2
6	505 72 88-01	SHC 1/4-20-1 1/2 S.S.		2
7	505 63 28-01	LK WASH 1/4 SPLIT SS		2
8	505 63 20-01	FLAT WASHER 1/4 X .062 AN960C4		2
9	505 63 97-01	CBL CLAMP/PROXIMITY 1/4		4
10	505 72 53-01	.500 OD X .190 ID X .030 THICK		4
11	505 63 31-01	LK WASH #10 SPLIT SS		4
12	505 72 96-01	SHC 10-32 X 1/2 S.S. CBL MTS		4
13	574 71 98-01	KIT		1
14	505 59 13-01	PREC DOWEL PIN 1/4 X 2		1