

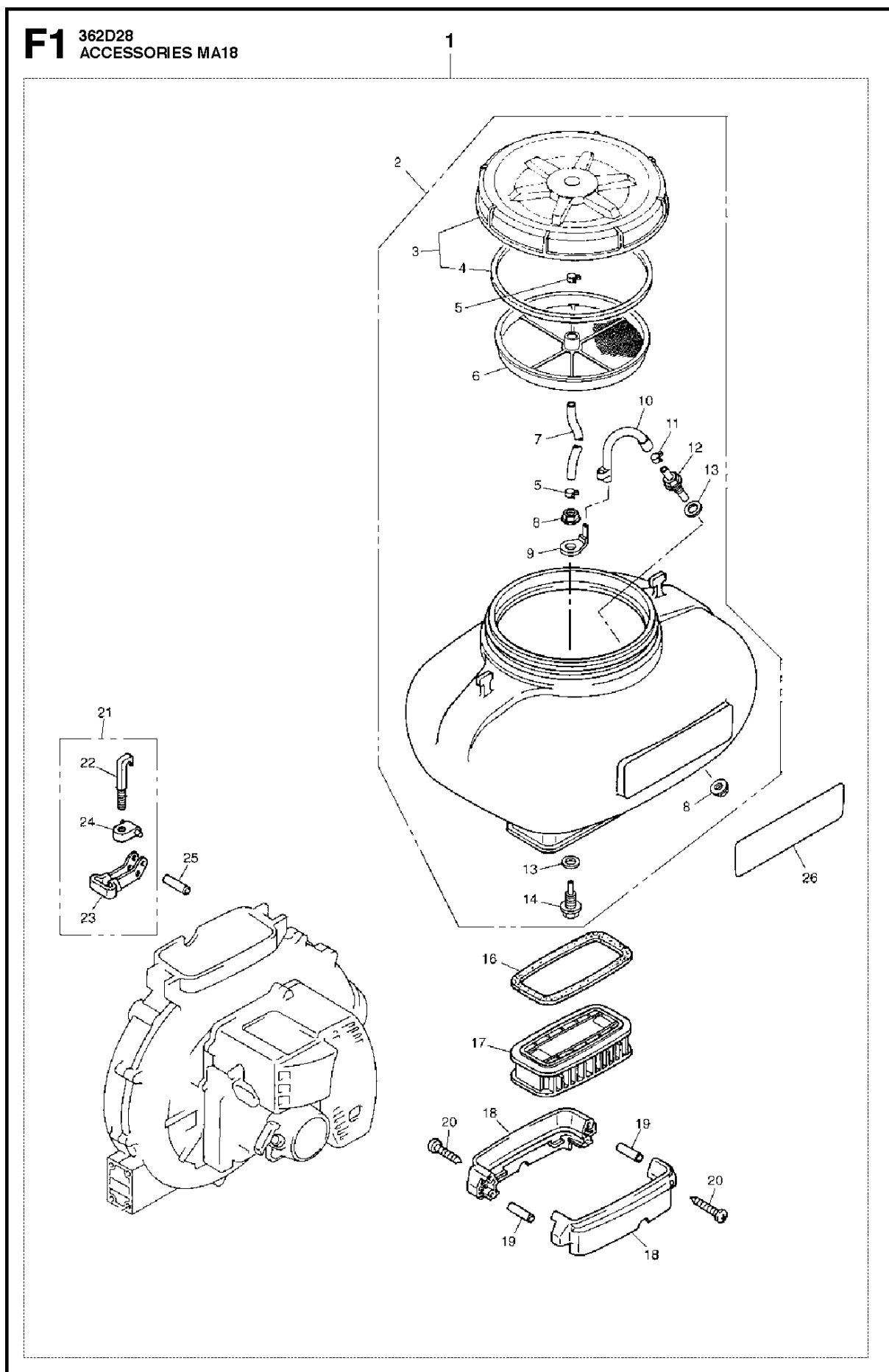


SPARE PARTS LIST

DUSTERS/MISTERS

362D28, MA18, 2010-02

F1 362D28
ACCESSORIES MA18



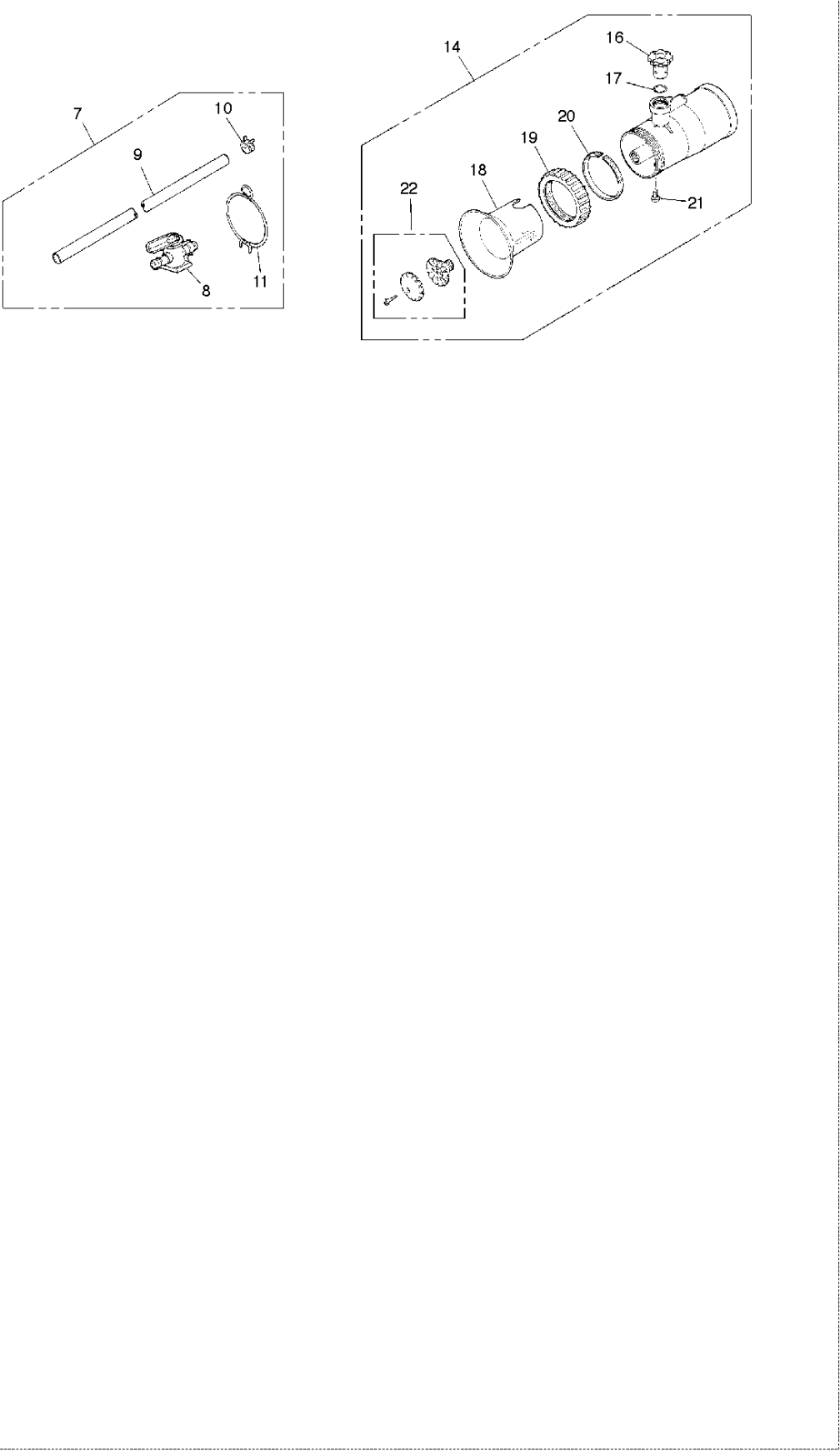
ACCESSORIES

362D28, MA18, 2010-02

Ref	Part no.	Description	Remark	Qty	Kit
1	577 37 42-01	UNIT	MISTKIT MA18 ASSY	1	
2	577 37 34-01	TANK ASSY		1	1
3	529 31 22-01	CAP		1	1,2
4	514 31 64-01	GASKET		1	1,2,3
5	514 08 85-01	CLIP		2	1,2
6	514 31 89-01	FANNEL		1	1,2
7	514 31 88-01	TUBE		1	1,2
8	512 72 06-01	NUT		2	1,2
9	512 72 08-01	PLATE		1	1,2
10	514 08 89-01	TUBE		1	1,2
11	513 23 14-01	CLIP		1	1,2
12	512 72 13-01	JOINT(B)		1	1,2
13	512 72 07-01	GASKET		2	1,2
14	512 72 05-01	JOINT(A)		1	1,2
16	513 67 62-01	GASKET		1	1
17	512 72 01-01	CASE		1	1
18	573 93 29-01	CLAMP		2	1
19	513 68 02-01	PIN		2	1
20	513 68 03-01	SCREW		4	1
21	526 33 95-01	HOOK ASSY		2	1
22	513 67 54-01	HOOK		1	1,21
23	513 67 55-01	LEVER		1	1,21
24	513 67 56-01	BRACKET		1	1,21
25	513 68 02-01	PIN		2	1
26	575 60 90-01	DECAL		1	1

F2 362D28
ACCESSORIES

1

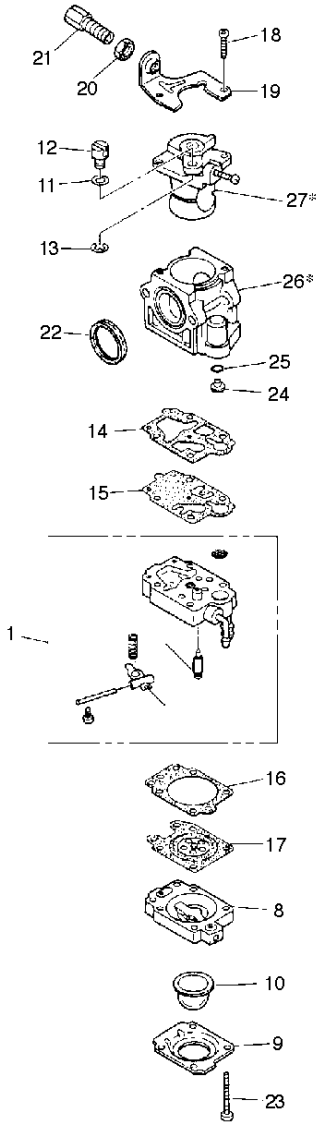


ACCESSORIES

362D28, MA18, 2010-02

Ref	Part no.	Description	Remark	Qty	Kit
1	577 37 42-01	UNIT	MISTKIT MA18 ASSY	1	
7	526 42 49-01	COCK-A		1	1
9	514 08 08-01	TUBE		2	1,7
10	513 23 14-01	CLIP		1	1,7
11	514 08 09-01	CLAMP		1	1,7
14	514 31 79-01	PIPE		1	1
16	514 31 80-01	VALVE		1	1,14
17	516 13 47-01	O-RING		1	1,14
18	514 31 81-01	PIPE		1	1,14
19	514 31 82-01	STOPPER		1	1,14
20	514 31 83-01	RING		1	1,14
21	510 47 20-01	SCREW		1	1,14
22	514 31 84-01	NOZZLE-A		1	1,14

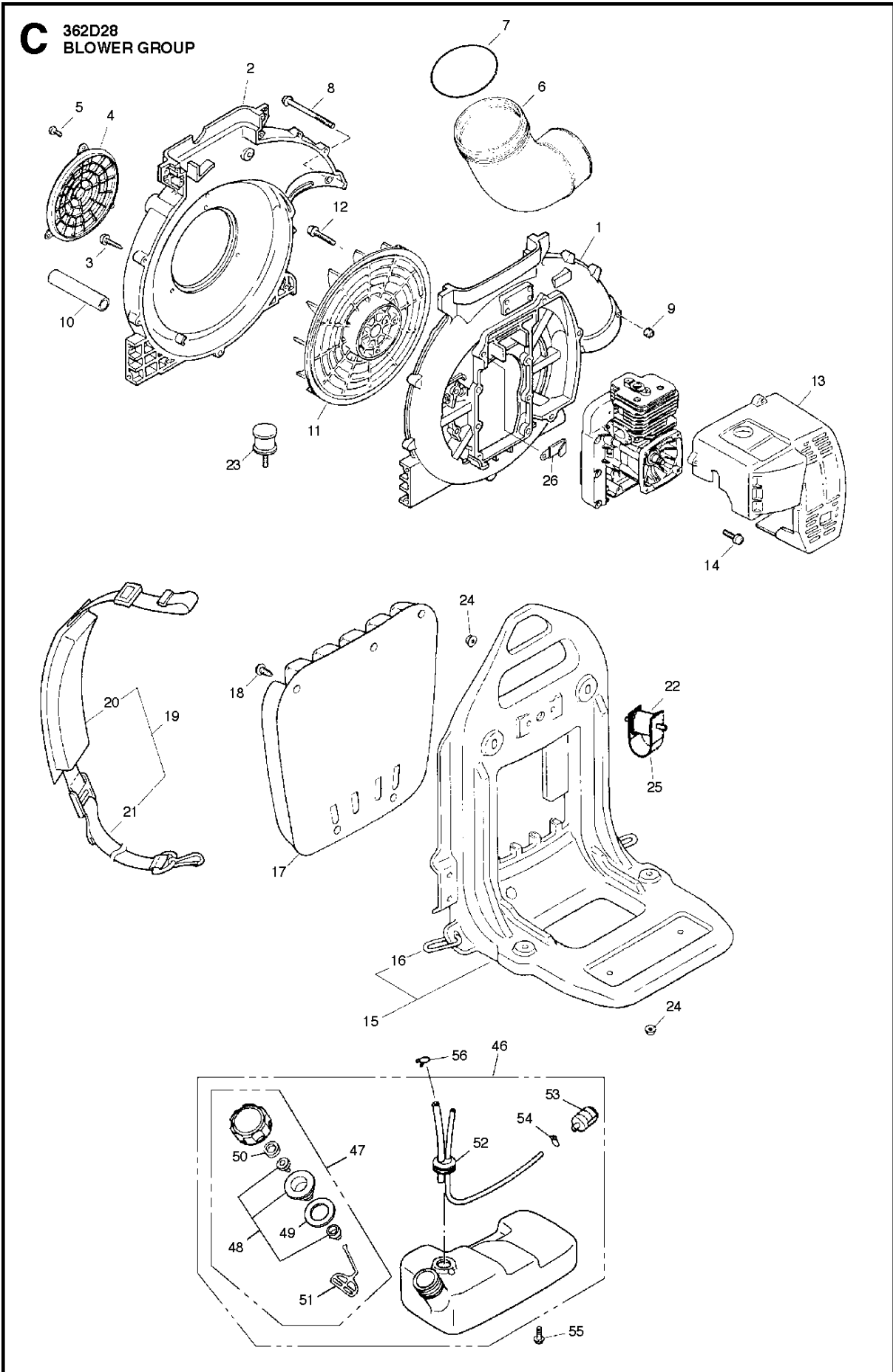
B 362D28
CARBURETOR



CARBURETOR

362D28, MA18, 2010-02

Ref	Part no.	Description	Remark	Qty	Kit
1	502 23 84-01	CARBURETTOR BODY		1	
8	506 74 09-01	BODY		1	
9	506 74 10-01	COVER		1	
10	505 30 67-01	PUMP		1	
11	506 74 61-01	WASHER		1	
12	506 74 12-01	SWIVEL		1	
13	506 73 86-01	RING		1	
14	505 30 72-01	GASKET		1	
15	506 68 98-01	DIAPHRAGM		1	
16	506 74 08-01	GASKET		1	
17	505 05 64-01	DIAPHRAGM		1	
18	505 30 79-01	SCREW		2	
19	506 74 60-01	BRACKET		1	
20	506 61 26-01	NUT		1	
21	506 74 13-01	SCREW		1	
22	505 30 84-01	RING		1	
23	506 74 11-01	SCREW		4	
24	505 18 57-01	JET		1	
25	505 30 75-01	O-RING		1	

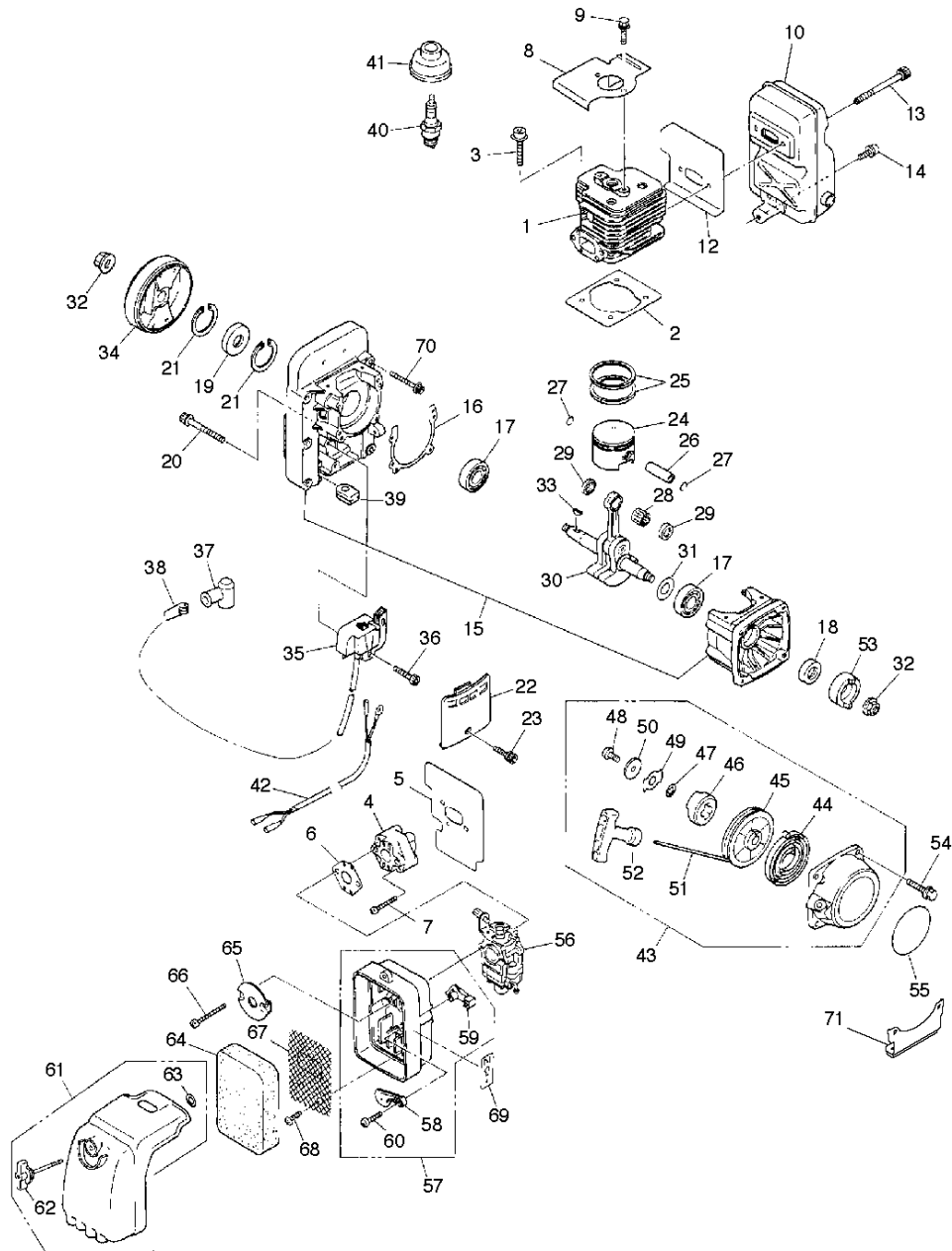


COVER

362D28, MA18, 2010-02

Ref	Part no.	Description	Remark	Qty	Kit
1	574 34 40-01	FAN HOUSING		1	
2	529 28 68-01	FAN HOUSING		1	
3	513 67 49-01	SCREW		12	
4	514 08 76-01	NET		1	
5	514 32 62-01	SCREW		3	
6	513 67 51-01	ELBOW		1	
7	516 13 54-01	O-RING		1	
8	513 67 52-01	SCREW		2	
9	514 32 46-01	NUT		2	
10	513 66 52-01	TUBE		1	
11	513 66 59-01	FAN		1	
12	514 28 47-01	BOLT		4	
13	573 93 16-01	ENGINE COVER		1	
14	513 67 49-01	SCREW		4	
15	573 93 18-01	FRAME		1	
16	514 33 16-01	RING		2	15
17	573 97 20-01	PAD		1	
18	526 47 67-01	CLIP		4	
19	513 67 57-01	BAND ASSY		2	
20	526 33 96-01	BAND (A)		1	19
21	511 74 33-01	BAND (B)		1	19
22	513 67 58-01	DAMPER		2	
23	513 67 59-01	DAMPER		2	
24	513 67 60-01	NUT		4	
25	511 96 73-01	STOPPER		2	
26	513 67 19-01	CLAMP		1	
46	526 34 35-01	TANK-A		1	
47	504 11 77-01	TANK CAP ASSY		1	46
48	515 36 94-01	HOLDER-A		1	46,47
49	506 74 43-01	PACKING		1	46,47
50	506 74 68-01	FILTER		1	46,47
51	504 11 79-01	HOLDER		1	46,47
52	526 33 90-01	PIPE COMP		1	46
53	506 74 26-01	FILTER		1	
54	506 70 70-01	CLIP		1	46
55	514 33 36-01	SCREW		2	
56	506 74 15-01	CLIP		1	

A 362D28
ENGINE GROUP



ENGINE

362D28, MA18, 2010-02

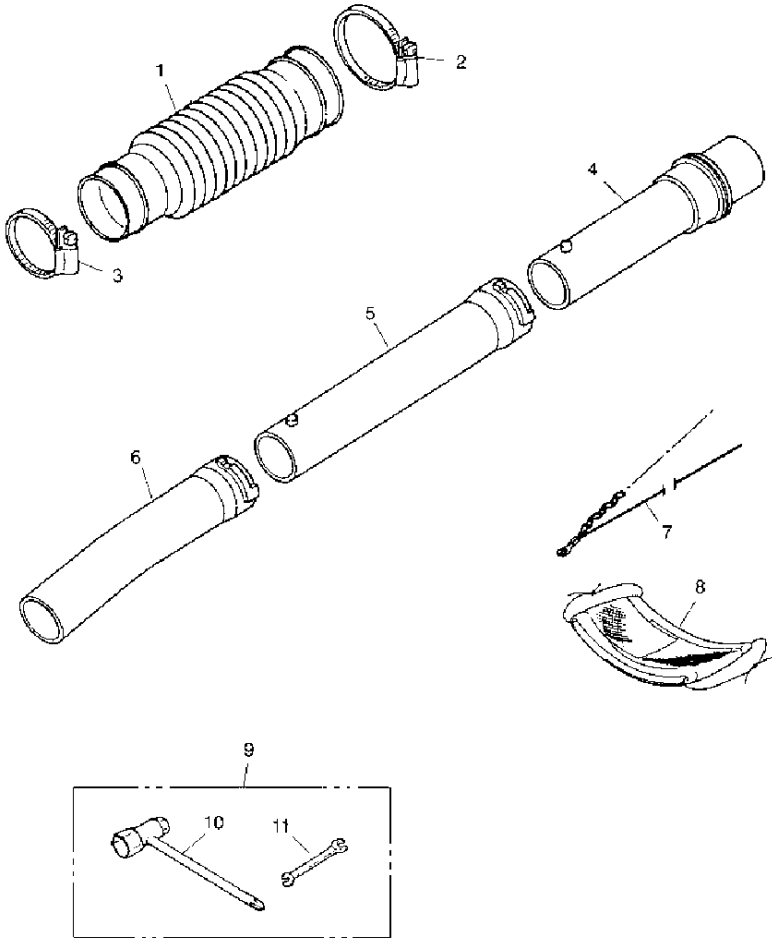
Ref	Part no.	Description	Remark	Qty	Kit
1	513 66 19-01	CYLINDER		1	
2	513 66 26-01	GASKET		1	
3	513 66 25-01	BOLT		4	
4	513 28 46-01	INSULATOR		1	
5	513 66 29-01	GASKET		1	
6	513 26 70-01	GASKET		1	
7	513 28 47-01	BOLT		2	
8	513 66 27-01	COVER		1	
9	513 66 28-01	BOLT		2	
10	511 70 95-01	MUFFLER		1	
12	513 66 33-01	GASKET		1	
13	513 66 31-01	BOLT		2	
14	513 66 32-01	BOLT		1	
15	521 63 37-01	CASE-COMP		1	
16	513 66 36-01	GASKET		1	
17	521 52 12-01	BALL BEARING		2	
18	502 84 92-01	SEALING		1	
19	521 52 18-01	SEAL		1	
20	506 60 94-01	BOLT		4	
21	516 12 62-01	SNAP-RING		2	
22	513 66 39-01	COVER		1	
23	513 32 32-01	BOLT		1	
24	513 66 77-01	PISTON		1	
25	514 25 74-01	RING.PISTON		2	
26	514 25 75-01	PIN		1	
27	502 84 98-01	SNAP RING		2	
28	502 84 99-01	BEARING		1	
29	502 85 00-01	WASHER		2	
30	521 63 39-01	CRANKSHAFT-COMP		1	
31	513 22 65-01	SHIM		1	
32	513 24 19-01	NUT		2	
33	506 68 94-01	KEY		1	
34	513 67 16-01	ROTOR		1	
35	513 67 17-01	COIL		1	
36	513 67 18-01	BOLT		2	
37	513 44 34-01	CAP		1	
38	505 29 89-01	SPRING		1	
39	515 41 53-01	GROMMET		1	
40	515 49 74-01	SPARKPLUGBPMR7A		1	
41	513 68 14-01	CAP		1	
42	513 67 20-01	CORD-C		1	
43	502 84 31-01	STARTER ASSY		1	
44	502 84 33-01	SPRING		1	43
45	502 84 34-01	STARTER PULLEY		1	43
46	504 55 48-01	STARTER PAWL		1	43
47	502 84 36-01	WASHER		1	43
48	502 84 38-01	SCREW		1	43
49	504 55 49-01	RETAINER		1	43
50	502 84 37-01	WASHER		1	43
51	502 84 35-01	CORD		1	43
52	502 84 32-01	KNOB		1	43
53	513 28 88-01	PULLEY		1	
54	514 32 09-01	BOLT		4	
55	575 52 12-01	LABEL		1	
56	513 67 22-01	CARBURETOR-A		1	
57	514 28 60-01	BODY		1	
58	514 28 62-01	PLATE		1	57
59	514 28 63-01	LEVER		1	57
60	506 61 40-01	SCREW		1	57
61	529 31 42-01	COVER		1	
62	513 29 03-01	KNOB		1	61
63	515 41 77-01	RING		1	61
64	513 30 33-01	ELEMENT		1	
65	513 28 64-01	PLATE		1	

ENGINE

362D28, MA18, 2010-02

Ref	Part no.	Description	Remark	Qty	Kit
66	510 48 31-01	SCREW		2	
67	513 30 35-01	SCREEN		1	
68	513 30 36-01	SCREW		1	
69	513 18 53-01	LABEL		1	
70	513 66 40-01	BOLT		6	
71	513 68 48-01	SUPPORT		1	

E 362D28
SPRAY EQUIPMENT, TOOLS

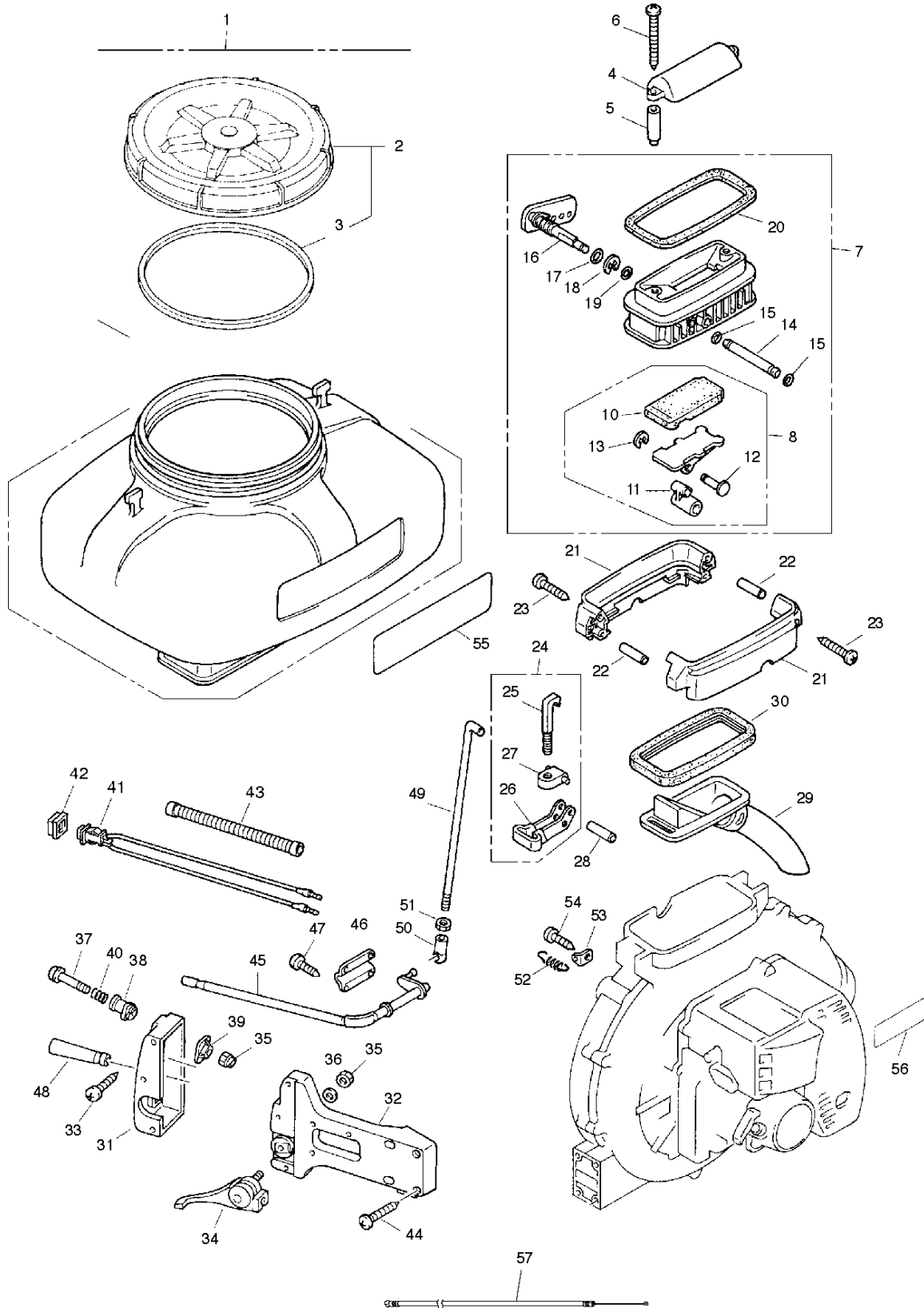


SPRAY SYSTEM

362D28, MA18, 2010-02

Ref	Part no.	Description	Remark	Qty	Kit
1	504 06 51-01	HOSE		1	
2	513 68 07-01	CLAMP		1	
3	513 68 08-01	CLAMP		1	
4	514 33 76-01	JOINT		1	
5	514 33 78-01	PIPE		2	
6	514 33 80-01	PIPE		1	
7	514 09 92-01	CHAIN		1	
8	514 09 96-01	MASK		1	
9	513 68 49-01	TOOL SET		1	
10	514 09 91-01	WRENCH		1	9
11	506 61 50-01	SPANNER		1	9

D 362D28
SPRAY GROUP



SPRAY SYSTEM

362D28, MA18, 2010-02

Ref	Part no.	Description	Remark	Qty	Kit
1	577 37 19-01	TANK ASSY		1	
2	529 31 22-01	CAP		1	
3	514 31 64-01	GASKET		1	2
4	513 67 75-01	PLATE		1	
5	513 67 76-01	COLLAR		2	
6	513 67 77-01	SCREW		2	
7	513 67 61-01	CASE		1	
8	513 67 64-01	SHUTTER ASSY		1	7
10	513 67 71-01	COVER		1	7,8
11	526 33 99-01	ARM		1	7,8
12	514 31 29-01	PIN		1	7,8
13	514 30 60-01	RING		1	7,8
14	513 67 73-01	PIN		1	7
15	516 13 59-01	O-RING		2	7
16	513 67 74-01	SHAFT		1	7
17	516 13 63-01	O-RING		1	7
18	514 31 31-01	RING		1	7
19	516 13 60-01	O-RING		1	7
20	513 67 62-01	GASKET		1	7
21	573 93 29-01	CLAMP		2	
22	513 68 02-01	PIN		2	
23	513 68 03-01	SCREW		4	
24	526 33 95-01	HOOK ASSY		2	
25	513 67 54-01	HOOK		1	24
26	513 67 55-01	LEVER		1	24
27	513 67 56-01	BRACKET		1	24
28	513 68 02-01	PIN		2	
29	513 67 80-01	GUIDE		1	
30	513 67 81-01	GASKET		1	
31	573 93 25-01	INDICATOR		1	
32	513 67 84-01	BRACKET		1	
33	514 32 62-01	SCREW		3	
34	514 33 59-01	LEVER		1	
35	514 32 46-01	NUT		2	
36	516 07 85-01	WASHER		1	
37	513 67 85-01	SCREW		1	
38	513 67 86-01	HOLDER		1	
39	513 67 87-01	PLATE		1	
40	513 67 88-01	SPRING		1	
41	514 33 68-01	SWITCH		1	
42	513 35 19-01	CAP		1	
43	513 68 16-01	TUBE		1	
44	513 68 03-01	SCREW		4	
45	513 67 89-01	LEVER		1	
46	513 67 91-01	PLATE		1	
47	514 32 62-01	SCREW		4	
48	513 67 92-01	KNOB		1	
49	513 67 93-01	ROD		1	
50	514 08 84-01	BALLJOINT		1	
51	510 48 66-01	NUT		1	
52	513 67 94-01	SPRING		1	
53	513 67 95-01	PLATE		1	
54	513 67 96-01	SCREW		1	
55	575 60 90-01	DECAL		1	
56	574 21 74-01	LABEL		1	
57	577 03 93-01	THROTTLE CABLE		1	