

PARTS LIST BOOK Wood Chipper

1800P

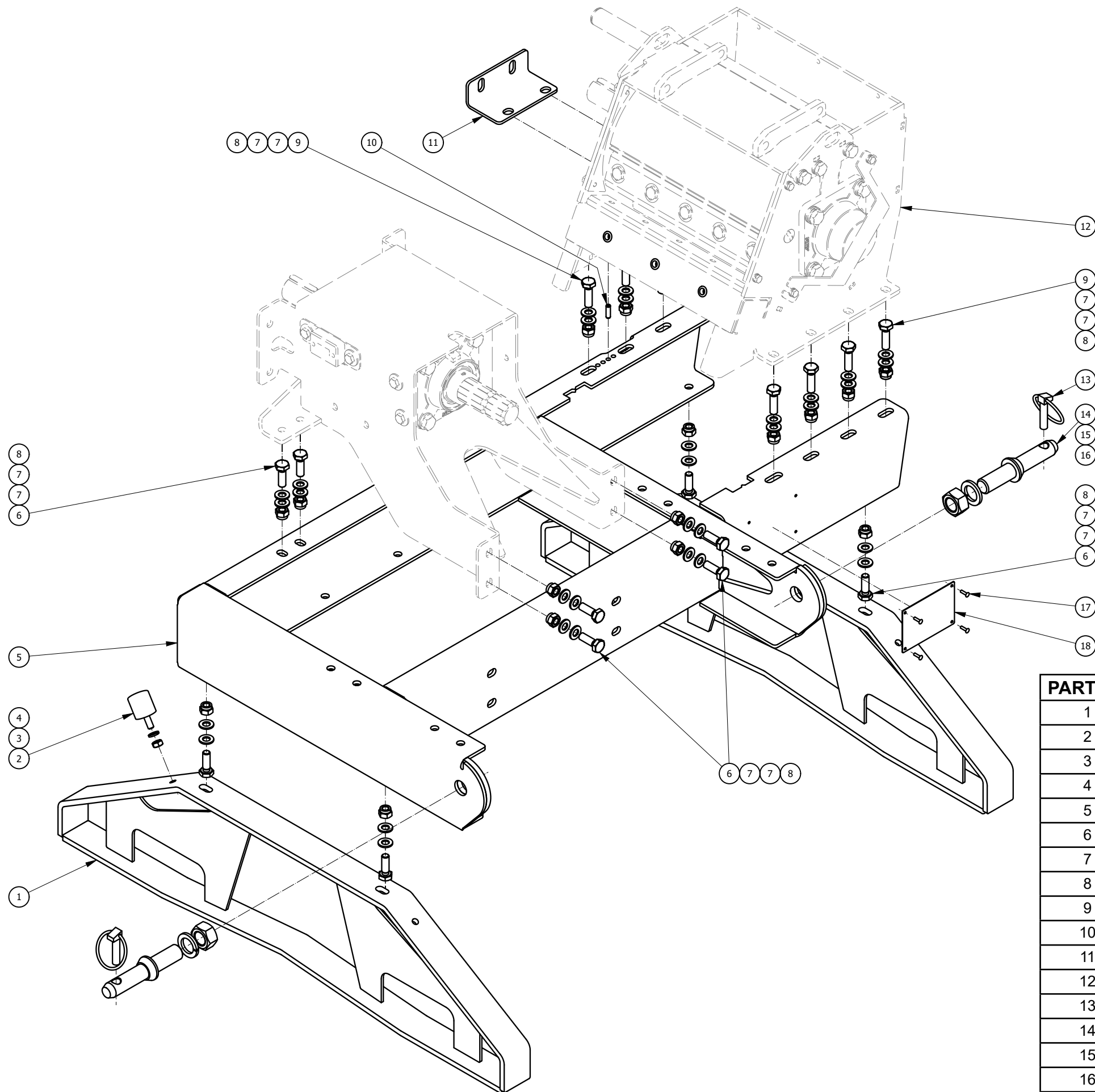
A.	Parts list complete	2
B.	Frame	4
C.	Shredderbox	5
D.	Bearing housing	6
E.	Belt cover	7
F.	Driveline	8
G.	Frame (2)	9
H.	Input & output	10
I.	Input (2)	11
J.	Output (2) & accessories	12

PARTNR.	ARTICLE NUMBER	PART NAME	QTY
1	MZSGTSM033401000	weldassembly groundsupport 1300PTOV2	2
2	MZSGTSS210005000	vibration damper 30mm with stud M8	1
3	MZSGTSS040M0815LIR	open spring washer 8	3
4	MZSGTSS03M08000N0N	hexagon standard nut M8	3
5	MZSGTSM023101000	frame assembly 1300PTO	1
6	MZSGTSS01M10030NFN	hex bolt M10x30	30
7	MZSGTSS040M1020PIR	plain washer 10	89
8	MZSGTSS03M10000L0N	tall self lock nut with nylon insert M10	45
9	MZSGTSS01M10035NFN	hex bolt M10x35	8
10	MZSGTSS14060020B	spring-type straight pin 6x20	1
11	MZSGTSM033114000	belt cover mounting plate	1
12	MZSGTSA11G18P001	sub assembly shredderbox 1800P	1
12.1	MZSGTSM033400000	weldassembly shredder box 1300PTOV2	1
12.2	MZSGTSS01M12035NFN	hex bolt M12x35	4
12.3	MZSGTSS040M1225LIR	open spring washer 12	8
12.4	MZSGTSS040M1225PIR	plain washer 12	8
12.5	MZSGTSS12SFY35TF	flanged bearing house FY35-TF shaft 35mm	2
12.6	MZSGTSS14100850P	key 10x8-50 for 1300PTO	1
12.7	MZSGTSM033108000	tensioner hinge	1
12.8	MZSGTSS01M10020NFN	hex bolt M10x20	1
12.9	MZSGTSS040M1016LIR	open spring washer 10	12
12.10	MZSGTSS040M1020PIR	plain washer 10	12
12.11	MZSGTSM031802000	rotor GTS1800	1
12.12	MZSGTSS01M10016NFN	hex bolt M10x16	6
12.13	MZSGTSM031807000	top of box 1800	1
12.14	MZSGTSS01M06010NFN	hex bolt M6x10	2
12.15	MZSGTSS040M0615LIR	open spring washer 6	6
12.16	MZSGTSS040M0612PIR	plain washer 6	6
12.17	MZSGTSM033139000	bearing cap support FY35	1
12.18	MZSGTSS12ECY2070	SKF bearing end cover cap FY35	1
12.19	MZSGTSS01M12025NFN	hex bolt M12x25	4
12.20	MZSGTSS01M10030XFN	special M10 bolt for blade	10
12.21	MZSGTSM03014300PX1	X1 blade 1300	2
12.22	MZSGTSS99M120800	thread plug M12x1.5-8	1
12.23	MZSGTSM033012000	rotor protector	2
12.24	MZSGTSS01M06016NFN	hex bolt M6x16	4
12.25	MZSGTSM033017000	counter blade 1300	1
12.26	MZSGTSS01M10020JFN	inner hexagon socket head cap bolt M10x20	5
13	MZSGTSS140015000	tractor safety lynch pin 10mm	4
14	MZSGTSS17PTOCAT1	lower hinge point pin CAT I	2
15	MZSGTSS040M2240LIR	open spring washer 22	2
16	MZSGTSS03M22000N0N	hexagon standard nut M22	2
17	MZSGTSS13AL32090	rivet 3.2x12	4
18		serial numberplate De Wild NL	1
19	MZSGTSM033104000	bearing support	1

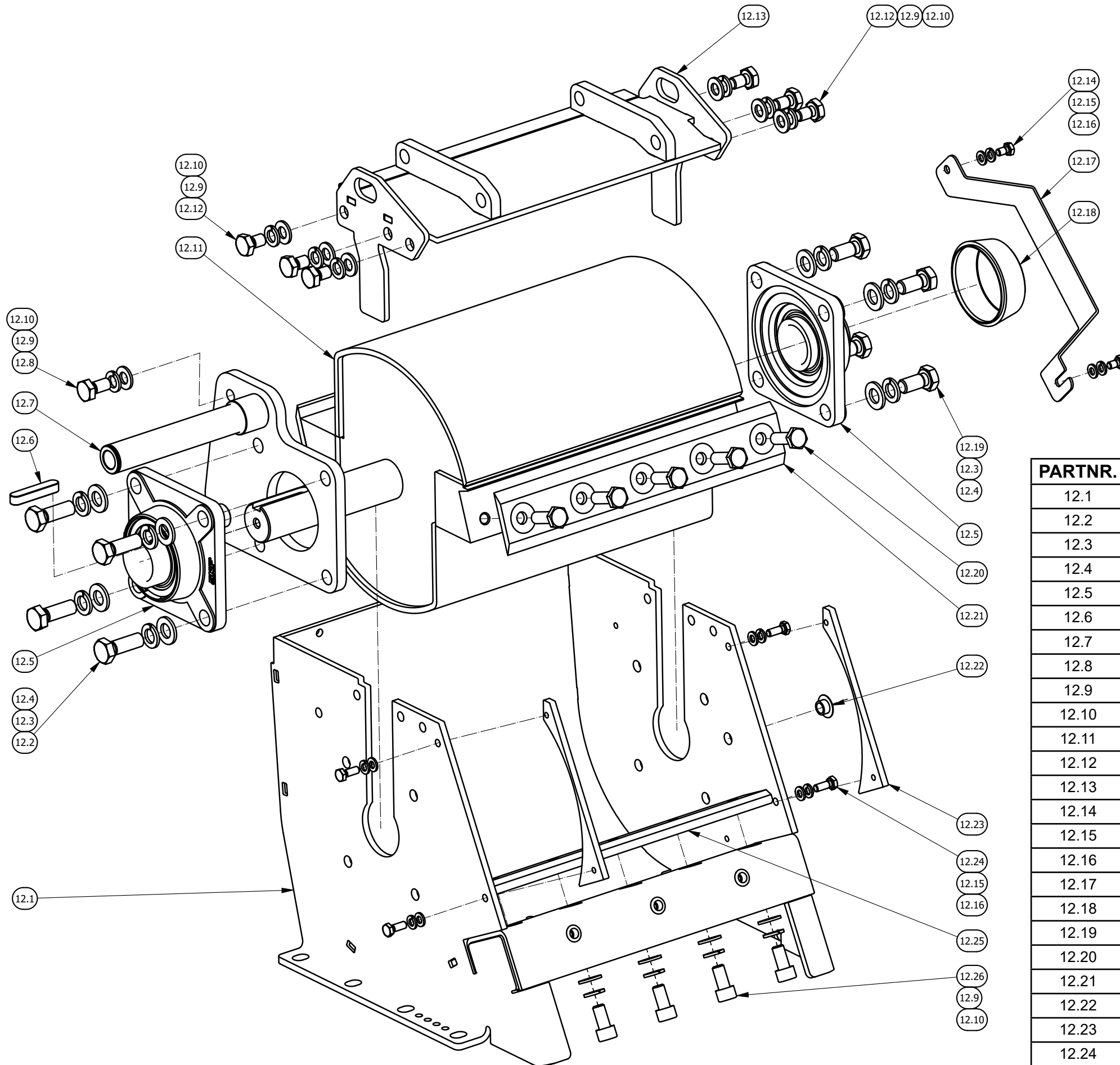
PARTNR.	ARTICLE NUMBER	PART NAME	QTY
20	MZSGTSS12SFY35TF	flanged bearing house FY35-TF shaft 35mm	2
21	MZSGTSS01M12040NFN	hex bolt M12x40	8
22	MZSGTSS040M1225PIR	plain washer 12	16
23	MZSGTSS03M12000L0N	tall self lock nut with nylon insert M12	8
24	MZSGTSE11HM012C1	hour counter 1300PTO	1
25	MZSGTSS01M03016PFN	cross recessed pan head screw M3x16	2
26	MZSGTSS03M03000L0N	tall self lock nut with nylon insert M3	2
27	MZSGTSS040M0820BIR	large washer 8	12
28	MZSGTSM033140000	rpm measuring tool holder	1
29	MZSGTSS14100850P	key 10x8-50 for 1300PTO	1
30	MZSGTSM013106000	PTO six splines axle	1
31	MZSGTSM013116000	bush for six splines shaft	1
32	MZSGTSM033137001	belt cover baseplate	1
33	MZSGTSM033137002	V-belt guiding pin	3
34	MZSGTSS01M08020XPN	carriage bolt M8x20	3
35	MZSGTSS01M10025NFN	hex bolt M10x25	6
36	MZSGTSS03M08000L0N	tall self lock nut with nylon insert M8	6
37	MZSGTSM033109001	belt cover hood	1
38	MZSGTSS140016000	trailer hinge for PTO belt cover	2
39	MZSGTSS01M06020NFN	hex bolt M6x20	8
40	MZSGTSS040M0612PIR	plain washer 6	8
41	MZSGTSS03M06000L0N	tall self lock nut with nylon insert M6	8
42	MZSGTSM050056000	rubber handle tensioner	1
43	MZSGTSS040M1430PIR	plain washer 14	4
44	MZSGTSM033119000	hook safety system output	1
45	MZSGTSS14050030B	spring-type straight pin 5x30	1
46	MZSGTSM033111000	weldassembly tensioner handle	1
47	MZSGTSS07SPA2182	SPA 2182 V-belt	3
48	MZSGTSM073500SPA	SPA drive pulley 500mm assembly	1
49	MZSGTSM013117000	large special fender washer 8x45-3	2
50	MZSGTSS01M08030NFN	hex bolt M8x30	1
51	MZSGTSM010105000	spacer balancer	1
52	MZSGTSM033138000	support brake pad	1
53	MZSGTSS01M08045NFN	hex bolt M8x45	1
54	MZSGTSS01M08022NFN	hex bolt M8x22	2
55	MZSGTSS040M0816PIR	plain washer 8	7
56	MZSGTSM013115000	tension lock bush	2
57	MZSGTSS01M10095NPN	hexagon head bolt partial thread M10x95	1
58	MZSGTSM033106000	weldassembly tensioner arm	1
59	MZSGTSS09O250000	circlips 25	1
60	MZSGTSS040M2440PIR	plain washer 24	2
61	MZSGTSS120082500	nylon slide bearing 25x30-30.ipt	3
62	MZSGTSS09O150000	circlips 15	1
63	MZSGTSS126302RS1	Deep groove ball bearings single row with two RS1 seals SKF	2
64	MZSGTSM073150000	tension pulley	1
65	MZSGTSS01M08012JFN	inner hexagon socket head cap bolt M8x12	2

PARTNR.	ARTICLE NUMBER	PART NAME	QTY
66	MZSGTSM013101000	axle tensioner pulley	1
67	MZSGTSM013102000	Tensioner lock axle	1
68	MZSGTSS990000042	brake pad complete	1
69	MZSGTSM073120SPA	SPA rotor pulley 106mm assembly	1
70	MZSGTSS17TOPPIN1	top link pen CAT I	2
71	MZSGTSM033110000	weldassembly support trailer coupling	1
72	MZSGTSM023102000	frame plate top link right	1
73	MZSGTSM033113000	top link connection point	1
74	MZSGTSM023103000	frame plate top link left	1
75	MZSGTSS240000007	chain with S-hooks assembly	1
76	MZSGTSS01M08020NFN	hex bolt M8x20	8
77	MZSGTSM033117000	PIC cover	1
78	MZSGTSA030025000	turnable output 1800	1
78.1	MZSGTSM031811000	weldassembly output bottom 1800	1
78.2	MZSGTSM031812000	weldassembly top part output 1800	1
78.3	MZSGTSM031814000	swivel part middle	1
78.4	MZSGTSM031813000	locking disc	2
78.6	MZSGTSS03M06000L0N	tall self lock nut with nylon insert M6	6
78.7	MZSGTSS01M08020XPN	carriage bolt M8x20	3
78.8	MZSGTSS040M1016LIR	open spring washer 10	2
78.9	MZSGTSS040M0820BIR	large washer 8	3
78.10	MZSGTSS03M08000L0N	tall self lock nut with nylon insert M8	2
78.11	MZSGTSS040M1025BIR	large washer 10	3
78.14	MZSGTSM031815000	deflector 1800	1
78.16	MZSGTSM031818000	centring part middle	1
78.17	MZSGTSS040M0612PIR	plain washer 6	6
78.18	MZSGTSS040M612WIR	waved spring washer	6
78.19	MZSGTSS040M0615LIR	open spring washer 6	6
78.20	MZSGTSS01M06035NFN	hex bolt M6x35	6
78.22	MZSGTSS220015000	clamping lever internal thread M8	1
79	MZSGTSS01M08016FFN	flange bolt with hexagon head M8x16	3
80	MZSGTSS01M08025FFN	flange bolt with hexagon head M8x25	5
81	MZSGTSA11G18P002	sub assembly hopper 1800P	1
81.1	MZSGTSM053017000	rubber curtain hopper 1800P	2
81.2	MZSGTSM053008000	steel strip for rubber curtain low hopper	1
81.3	MZSGTSS01M06025XPX	carriage bolt M6x25	5
81.4	MZSGTSS040M0612PIR	plain washer 6	13
81.5	MZSGTSS03M06000L0N	tall self lock nut with nylon insert M6	14
81.6	MZSGTSM033112000	GTSPTO low hopper	1
81.7	MZSGTSS01M06016XPN	carriage bolt M6x16	7
81.8	MZSGTSS01M08016NFN	hex bolt M8x16	2
81.9	MZSGTSS040M0815LIR	open spring washer 8	2
81.10	MZSGTSS040M0816PIR	plain washer 8	2
81.11	MZSGTSM023125000	panic bar GTSPTOV2	1
81.12	MZSGTSS160000000	push pull cable connector	1

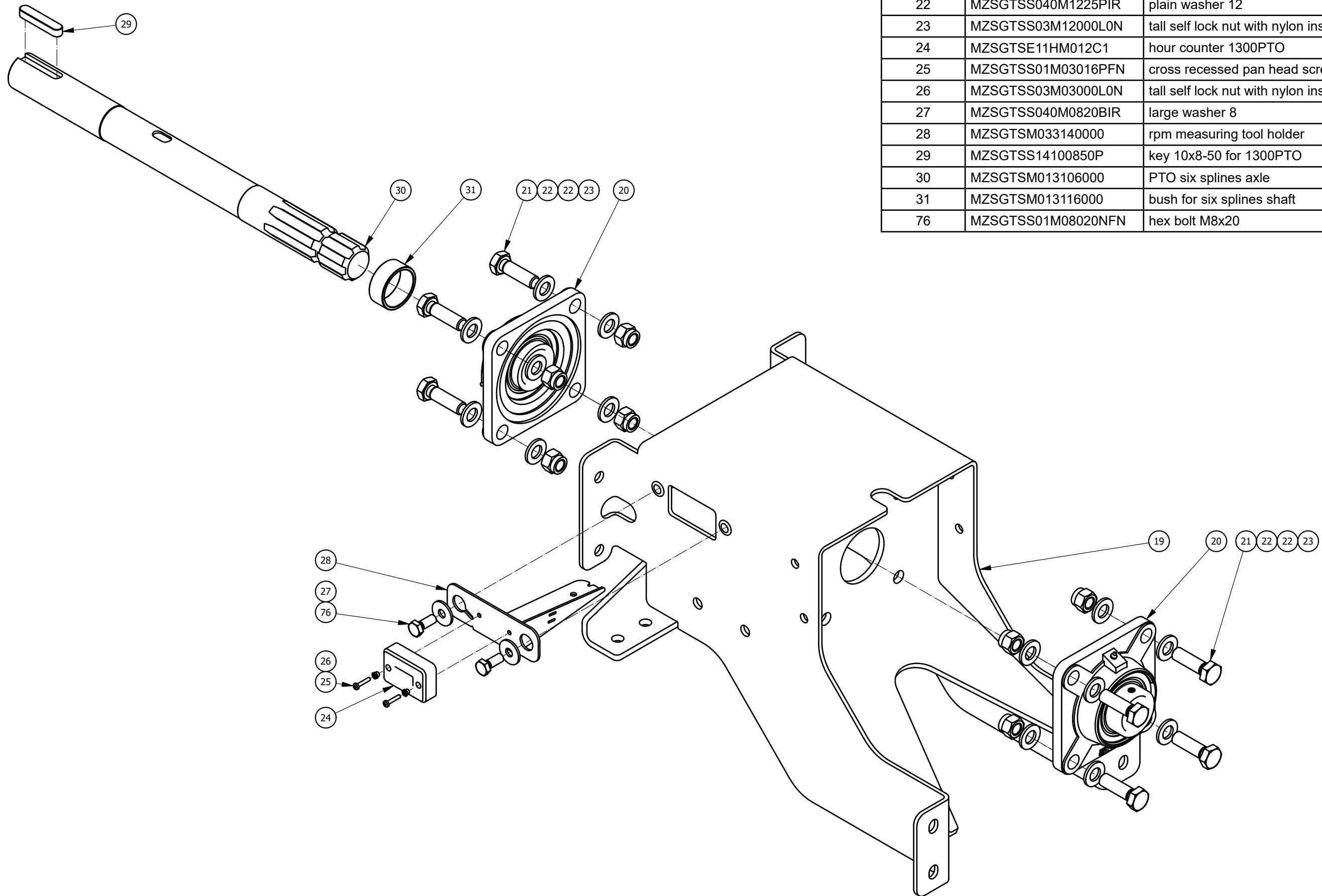
PARTNR.	ARTICLE NUMBER	PART NAME	QTY
81.13	MZSGTSS120081200	nylon slide bearing 12x14	1
81.14	MZSGTSS040M1225PIR	plain washer 12	5
81.15	MZSGTSS09O110000	circlips 11	1
81.16	MZSGTSM030202000	panic bar bracket low hopper	1
81.17	MZSGTSS14060020B	spring-type straight pin 6x20	1
81.18	MZSGTSM033173000	fork low hopper	1
81.19	MZSGTSS01M06012FFN	flange bolt with hexagon head M6x12	1
81.20	MZSGTSM083003000	torsion spring	1
81.21	MZSGTSM010098000	fork shaft	1
81.22	MZSGTSS01M06050NFN	hex bolt M6x50	1
81.23	MZSGTSS040M0618XIR	large special fender washer 6x30	1
81.24	MZSGTSS040M1020PIR	plain washer 10	2
81.25	MZSGTSS180000007	end cap tube 25x2	2
81.26	MZSGTSS01M08010BFN	hexagon socket button head screw M8x10	2
81.27	MZSGTSS210002000	silent block panic bar	2
81.28	MZSGTSS240000009	cable assembly panic bar L1150	1
81.29	MZSGTSM033402000	push plate safety lock PTO V2	1
81.30	MZSGTSA990000001	safety lock right	1
82	MZSGTSS01M05016BFN	hexagon socket button head screw M5x16	2
83	MZSGTSS040M0510PIR	plain washer 5	2
84	MZSGTSS03M05000L0N	tall self lock nut with nylon insert M5	2
85	MZSGTSM033122000	slot plate safety system output	1
86	MZSGTSM023123000	trailer coupling	1
87	MZSGTSS01M16055NFN	hex bolt M16x55	2
88	MZSGTSS040M1630PIR	plain washer 16	4
89	MZSGTSS03M16000L0N	tall self lock nut with nylon insert M16	2
90	MZSGTSS17PTOCOUP	trailer coupler with pin	1
91	MZSGTSS170000003	PTO shaft with slipclutch and overrunning clutch	1
92	MZSGTSA07LPS13P1	loose part set for 1300PV1	1
93	MZSGTSS01M08085NFN	hex bolt M"8x85	1



PARTNR.	ARTICLE NUMBER	PART NAME	QTY
1	MZSGTSM033401000	weldassembly groundsupport 1300PTOV2	2
2	MZSGTSS210005000	vibration damper 30mm with stud M8	1
3	MZSGTSS040M0815LIR	open spring washer 8	3
4	MZSGTSS03M08000N0N	hexagon standard nut M8	3
5	MZSGTSM023101000	frame assembly 1300PTO	1
6	MZSGTSS01M10030NFN	hex bolt M10x30	30
7	MZSGTSS040M1020PIR	plain washer 10	89
8	MZSGTSS03M10000L0N	tall self lock nut with nylon insert M10	45
9	MZSGTSS01M10035NFN	hex bolt M10x35	8
10	MZSGTSS14060020B	spring-type straight pin 6x20	1
11	MZSGTSM033114000	belt cover mounting plate	1
12	MZSGTSA11G18P001	sub assembly shredderbox 1800P	1
13	MZSGTSS140015000	tractor safety lynch pin 10mm	4
14	MZSGTSS17PTOCAT1	lower hinge point pin CAT I	2
15	MZSGTSS040M2240LIR	open spring washer 22	2
16	MZSGTSS03M22000N0N	hexagon standard nut M22	2
17	MZSGTSS13AL32090	rivet 3.2x12	4
18		serial numberplate De Wild NL	1



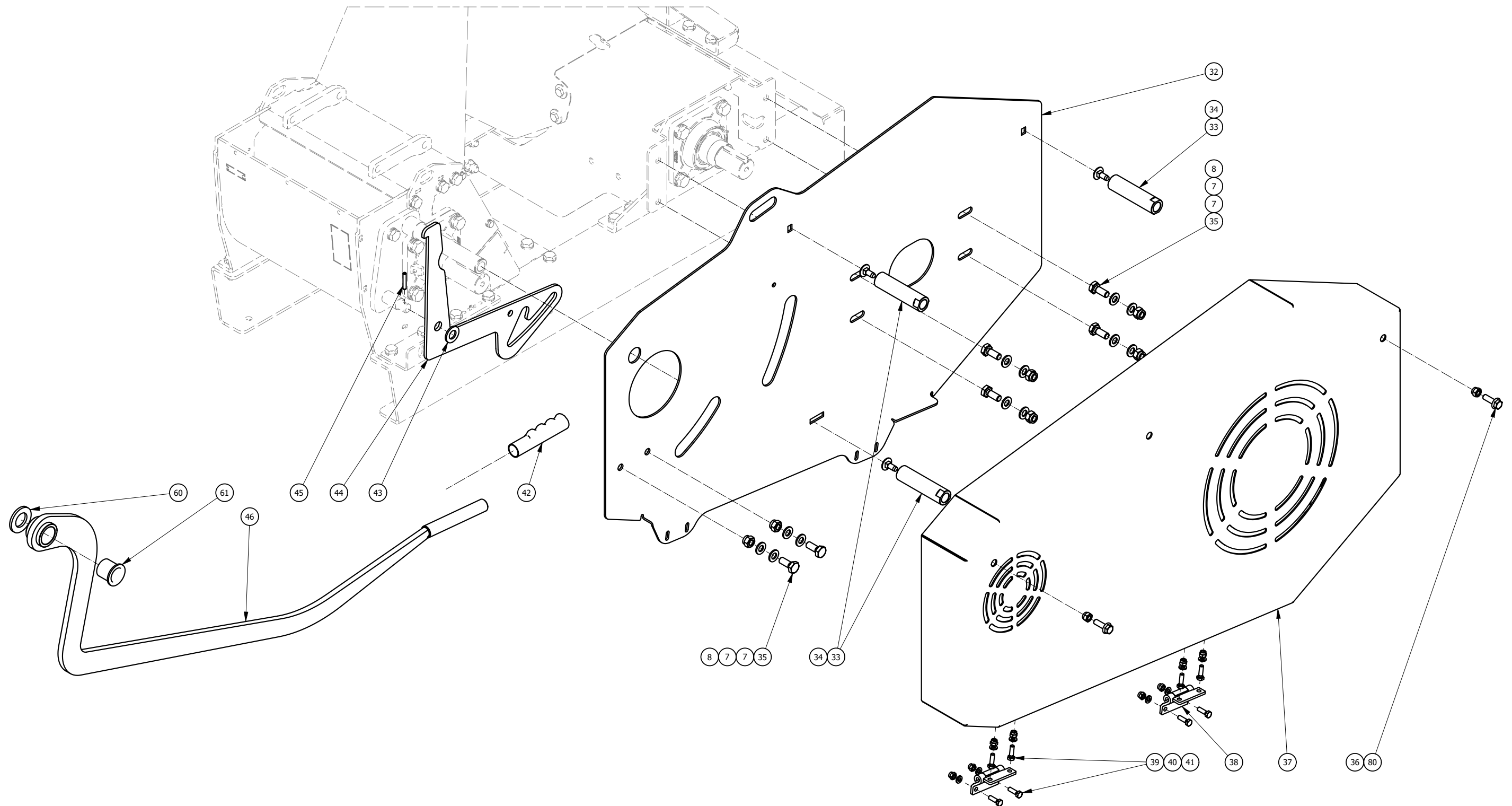
PARTNR.	ARTICLE NUMBER	PART NAME	QTY
12.1	MZSGTSM033400000	weldassembly shredder box 1300PTOV2	1
12.2	MZSGTSS01M12035NFN	hex bolt M12x35	4
12.3	MZSGTSS040M1225LIR	open spring washer 12	8
12.4	MZSGTSS040M1225PIR	plain washer 12	8
12.5	MZSGTSS12SFY35TF	flanged bearing house FY35-TF shaft 35mm	2
12.6	MZSGTSS14100850P	key 10x8-50 for 1300PTO	1
12.7	MZSGTSM033108000	tensioner hinge	1
12.8	MZSGTSS01M10020NFN	hex bolt M10x20	1
12.9	MZSGTSS040M1016LIR	open spring washer 10	12
12.10	MZSGTSS040M1020PIR	plain washer 10	12
12.11	MZSGTSM031802000	rotor GTS1800	1
12.12	MZSGTSS01M10016NFN	hex bolt M10x16	6
12.13	MZSGTSM031807000	top of box 1800	1
12.14	MZSGTSS01M06010NFN	hex bolt M6x10	2
12.15	MZSGTSS040M0615LIR	open spring washer 6	6
12.16	MZSGTSS040M0612PIR	plain washer 6	6
12.17	MZSGTSM033139000	bearing cap support FY35	1
12.18	MZSGTSS12ECY2070	SKF bearing end cover cap FY35	1
12.19	MZSGTSS01M12025NFN	hex bolt M12x25	4
12.20	MZSGTSS01M10030XFN	special M10 bolt for blade	10
12.21	MZSGTSM03014300PX1	X1 blade 1300	2
12.22	MZSGTSS99M120800	thread plug M12x1.5-8	1
12.23	MZSGTSM033012000	rotor protector	2
12.24	MZSGTSS01M06016NFN	hex bolt M6x16	4
12.25	MZSGTSM033017000	counter blade 1300	1
12.26	MZSGTSS01M10020JFN	inner hexagon socket head cap bolt M10x20	5

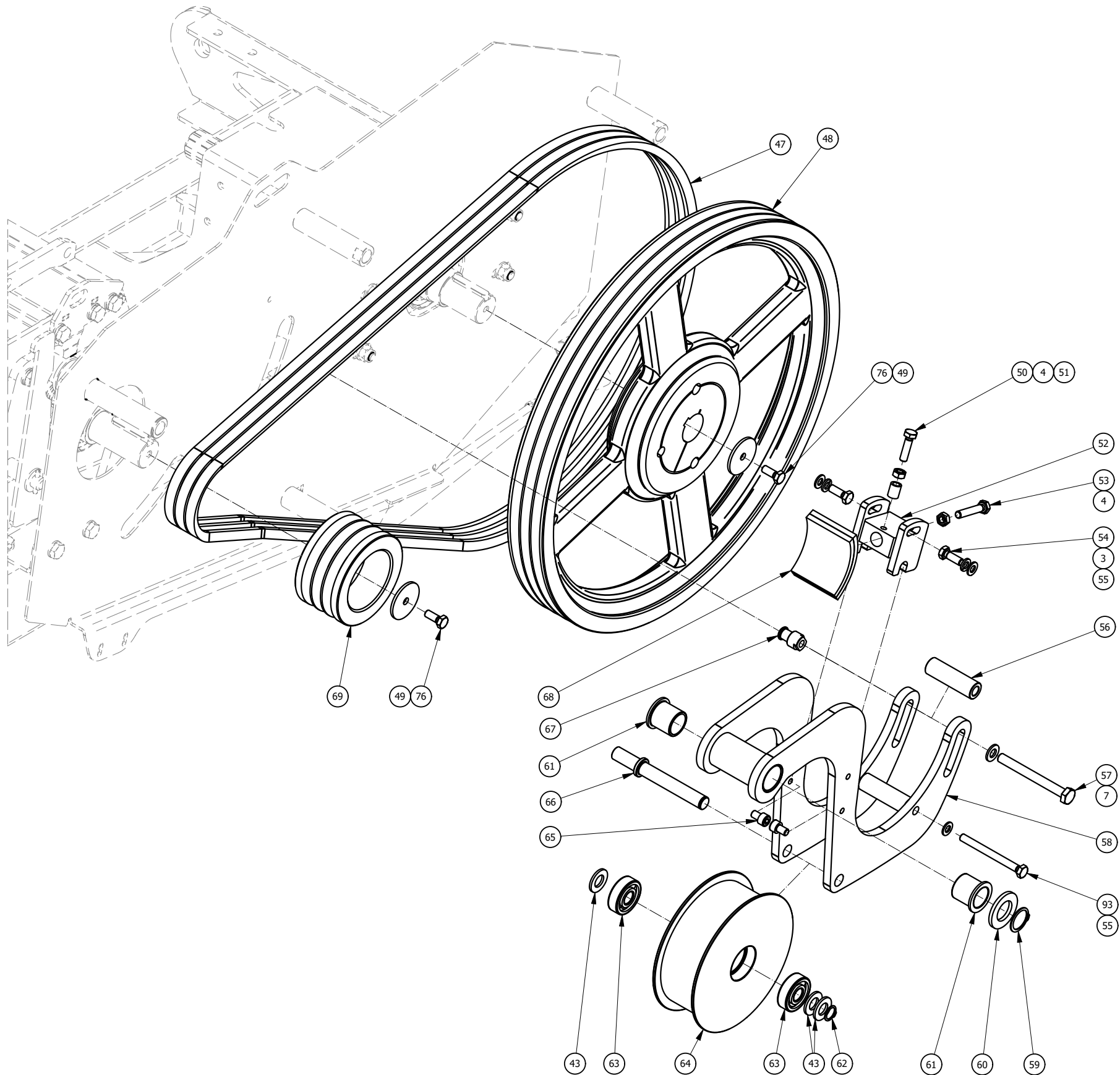


PARTNR.	ARTICLE NUMBER	PART NAME	QTY
19	MZSGTSM033104000	bearing support	1
20	MZSGTSS12SFY35TF	flanged bearing house FY35-TF shaft 35mm	2
21	MZSGTSS01M12040NFN	hex bolt M12x40	8
22	MZSGTSS040M1225PIR	plain washer 12	16
23	MZSGTSS03M12000L0N	tall self lock nut with nylon insert M12	8
24	MZSGTSE11HM012C1	hour counter 1300PTO	1
25	MZSGTSS01M03016PFN	cross recessed pan head screw M3x16	2
26	MZSGTSS03M03000L0N	tall self lock nut with nylon insert M3	2
27	MZSGTSS040M0820BIR	large washer 8	12
28	MZSGTSM033140000	rpm measuring tool holder	1
29	MZSGTSS14100850P	key 10x8-50 for 1300PTO	1
30	MZSGTSM013106000	PTO six splines axle	1
31	MZSGTSM013116000	bush for six splines shaft	1
76	MZSGTSS01M08020NFN	hex bolt M8x20	8

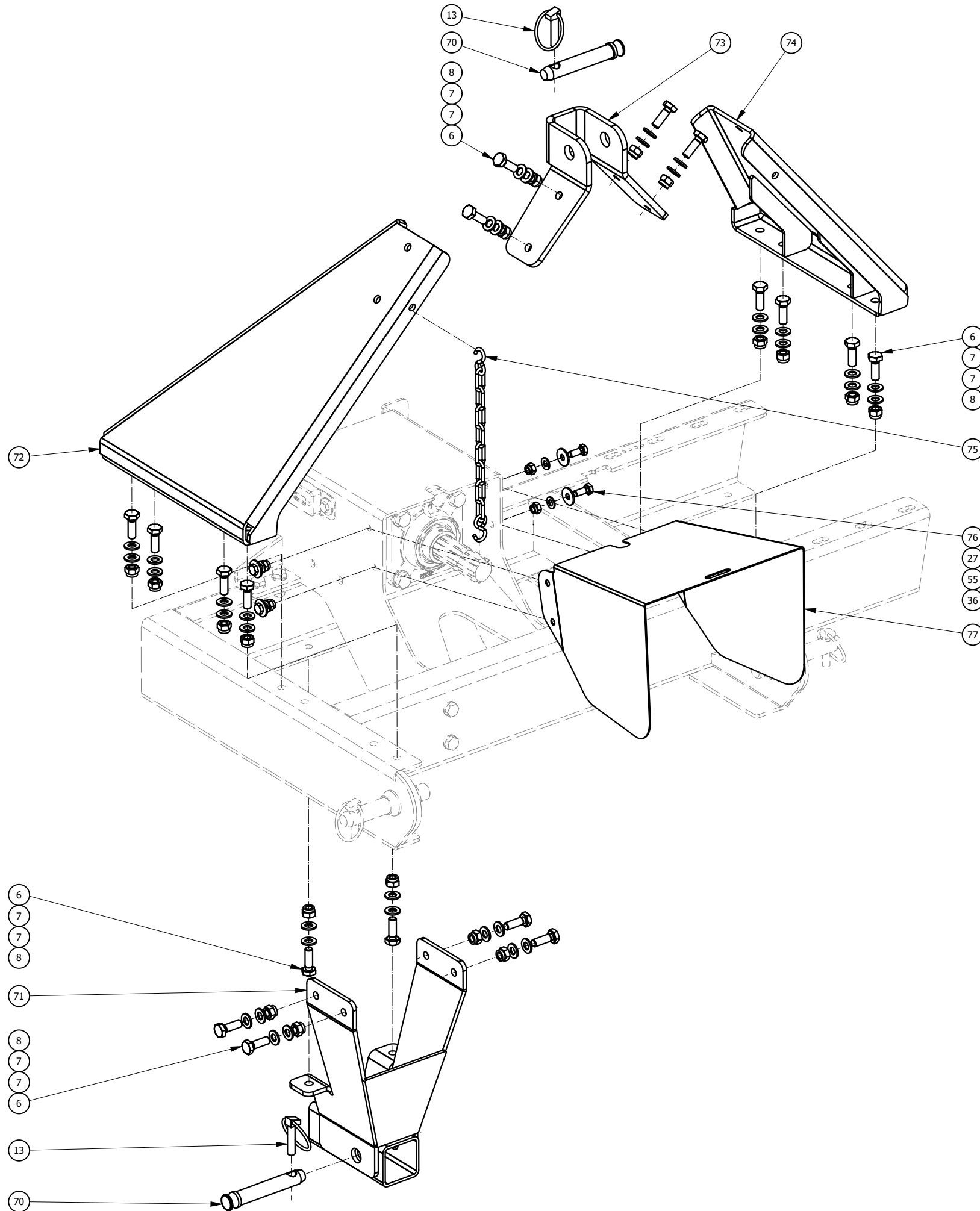
PARTNR.	ARTICLE NUMBER	PART NAME	QTY
7	MZSGTSS040M1020PIR	plain washer 10	89
8	MZSGTSS03M10000L0N	tall self lock nut with nylon insert M10	45
32	MZSGTSM033137001	belt cover baseplate	1
33	MZSGTSM033137002	V-belt guiding pin	3
34	MZSGTSS01M08020XPN	carriage bolt M8x20	3
35	MZSGTSS01M10025NFN	hex bolt M10x25	6
36	MZSGTSS03M08000L0N	tall self lock nut with nylon insert M8	6
37	MZSGTSM033109001	belt cover hood	1
38	MZSGTSS140016000	trailer hinge for PTO belt cover	2
39	MZSGTSS01M06020NFN	hex bolt M6x20	8

PARTNR.	ARTICLE NUMBER	PART NAME	QTY
40	MZSGTSS040M0612PIR	plain washer 6	8
41	MZSGTSS03M06000L0N	tall self lock nut with nylon insert M6	8
42	MZSGTSM050056000	rubber handle tensioner	1
43	MZSGTSS040M1430PIR	plain washer 14	4
44	MZSGTSM033119000	hook safety system output	1
45	MZSGTSS14050030B	spring-type straight pin 5x30	1
46	MZSGTSM033111000	weldassembly tensioner handle	1
60	MZSGTSS040M2440PIR	plain washer 24	2
61	MZSGTSS120082500	nylon slide bearing 25x30-30.ipt	3
80	MZSGTSS01M08025FFN	flange bolt with hexagon head M8x25	5



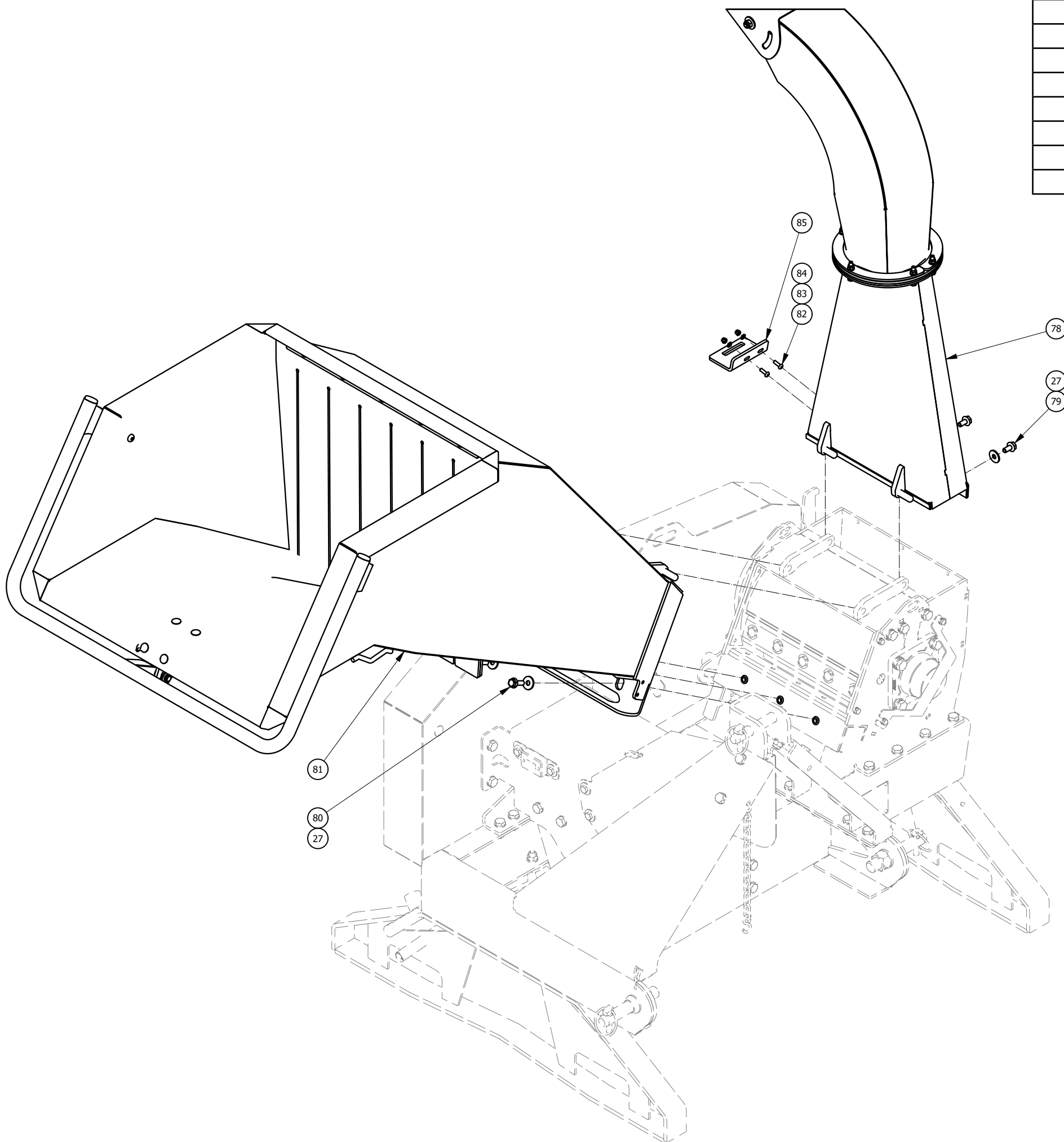


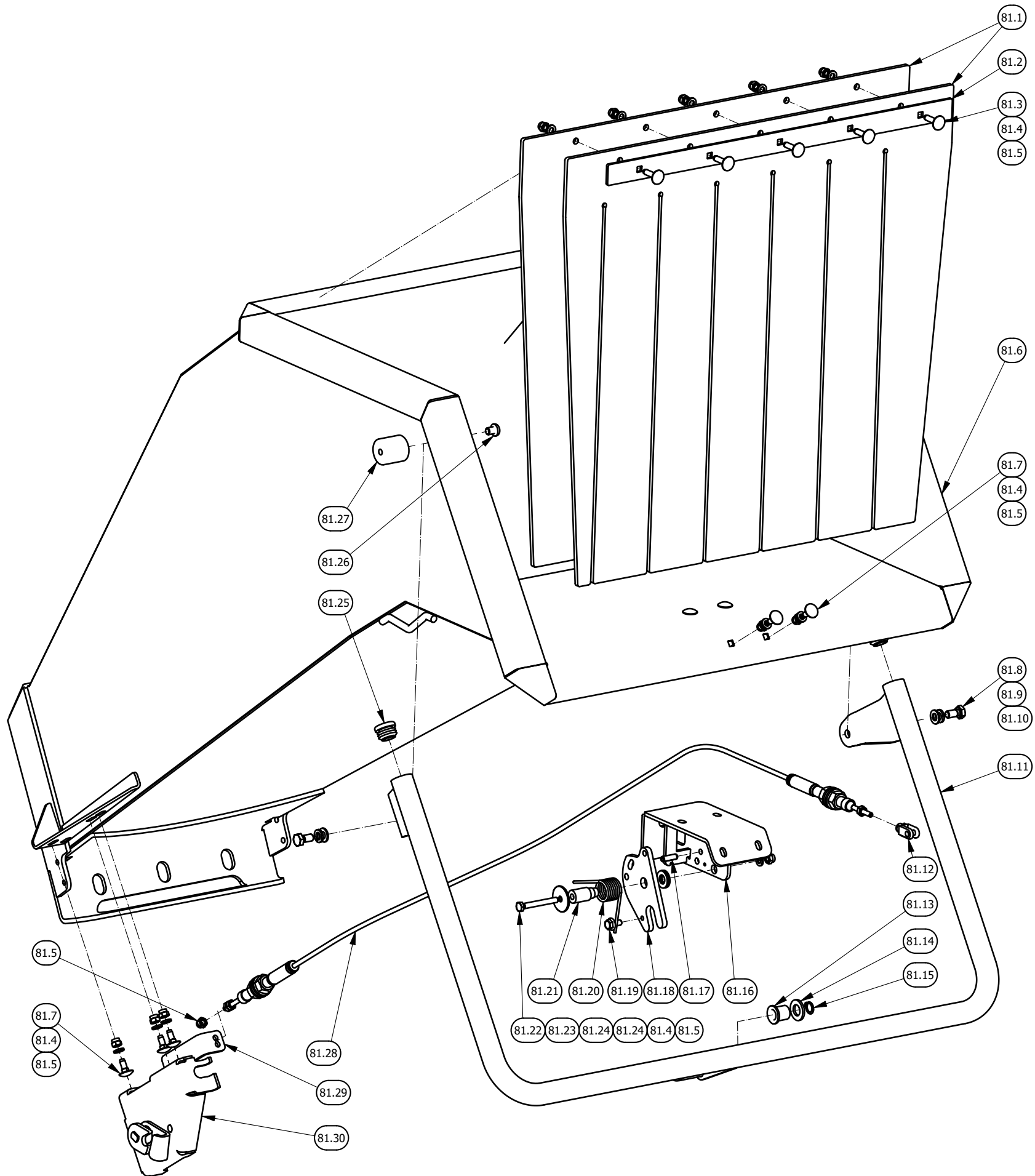
PARTNR.	ARTICLE NUMBER	PART NAME	QTY
3	MZSGTSS040M0815LIR	open spring washer 8	3
4	MZSGTSS03M08000N0N	hexagon standard nut M8	3
7	MZSGTSS040M1020PIR	plain washer 10	89
43	MZSGTSS040M1430PIR	plain washer 14	4
47	MZSGTSS07SPA2182	SPA 2182 V-belt	3
48	MZSGTSM073500SPA	SPA drive pulley 500mm assembly	1
49	MZSGTSM013117000	large special fender washer 8x45-3	2
50	MZSGTSS01M08030NFN	hex bolt M8x30	1
51	MZSGTSM010105000	spacer balancer	1
52	MZSGTSM033138000	support brake pad	1
53	MZSGTSS01M08045NFN	hex bolt M8x45	1
54	MZSGTSS01M08022NFN	hex bolt M8x22	2
55	MZSGTSS040M0816PIR	plain washer 8	7
56	MZSGTSM013115000	tension lock bush	2
57	MZSGTSS01M10095NPN	hexagon head bolt partial thread M10x95	1
58	MZSGTSM033106000	weldassembly tensioner arm	1
59	MZSGTSS09O250000	circlips 25	1
60	MZSGTSS040M2440PIR	plain washer 24	2
61	MZSGTSS120082500	nylon slide bearing 25x30-30.ipt	3
62	MZSGTSS09O150000	circlips 15	1
63	MZSGTSS126302RS1	Deep groove ball bearings single row with two RS1 seals SKF	2
64	MZSGTSM073150000	tension pulley	1
65	MZSGTSS01M08012JFN	inner hexagon socket head cap bolt M8x12	2
66	MZSGTSM013101000	axle tensioner pulley	1
67	MZSGTSM013102000	Tensioner lock axle	1
68	MZSGTSS990000042	brake pad complete	1
69	MZSGTSM073120SPA	SPA rotor pulley 106mm assembly	1
76	MZSGTSS01M08020NFN	hex bolt M8x20	8
93	MZSGTSS01M08085NFN	hex bolt M"8x85	1



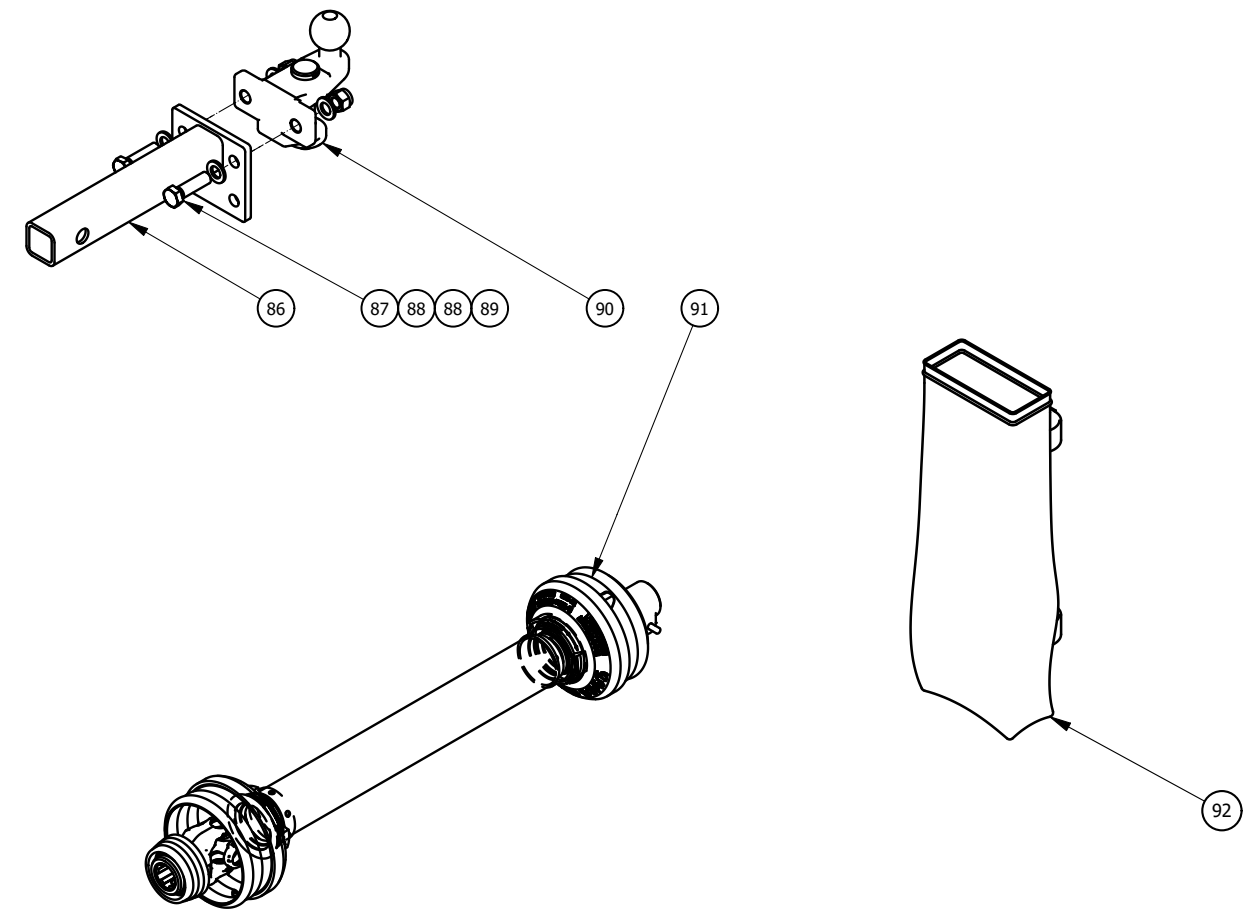
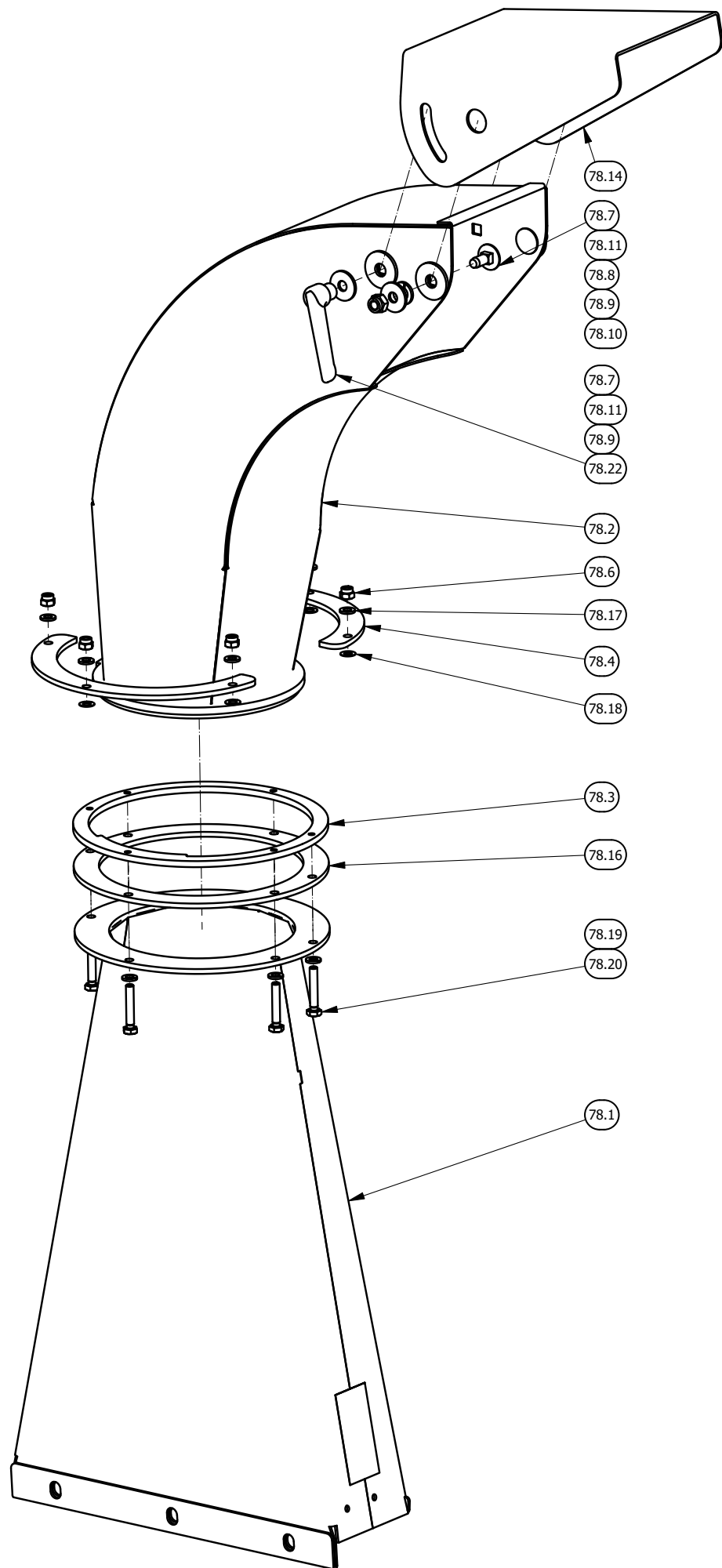
PARTNR.	ARTICLE NUMBER	PART NAME	QTY
6	MZSGTSS01M10030NFN	hex bolt M10x30	30
7	MZSGTSS040M1020PIR	plain washer 10	89
8	MZSGTSS03M10000L0N	tall self lock nut with nylon insert M10	45
13	MZSGTSS140015000	tractor safety lynch pin 10mm	4
27	MZSGTSS040M0820BIR	large washer 8	12
36	MZSGTSS03M08000L0N	tall self lock nut with nylon insert M8	6
55	MZSGTSS040M0816PIR	plain washer 8	7
70	MZSGTSS17TOPPIN1	top link pen CAT I	2
71	MZSGTSM033110000	weldassembly support trailer coupling	1
72	MZSGTSM023102000	frame plate top link right	1
73	MZSGTSM033113000	top link connection point	1
74	MZSGTSM023103000	frame plate top link left	1
75	MZSGTSS240000007	chain with S-hooks assembly	1
76	MZSGTSS01M08020NFN	hex bolt M8x20	8
77	MZSGTSM033117000	PIC cover	1

PARTNR.	ARTICLE NUMBER	PART NAME	QTY
27	MZSGTSS040M0820BIR	large washer 8	12
78	MZSGTSA030025000	turnable output 1800	1
79	MZSGTSS01M08016FFN	flange bolt with hexagon head M8x16	3
80	MZSGTSS01M08025FFN	flange bolt with hexagon head M8x25	5
81	MZSGTSA11G18P002	sub assembly hopper 1800P	1
82	MZSGTSS01M05016BFN	hexagon socket button head screw M5x16	2
83	MZSGTSS040M0510PIR	plain washer 5	2
84	MZSGTSS03M05000L0N	tall self lock nut with nylon insert M5	2
85	MZSGTSM033122000	slot plate safety system output	1





PARTNR.	ARTICLE NUMBER	PART NAME	QTY
81.1	MZSGTSM053017000	rubber curtain hopper 1800P	2
81.2	MZSGTSM053008000	steel strip for rubber curtain low hopper	1
81.3	MZSGTSS01M06025XPX	carriage bolt M6x25	5
81.4	MZSGTSS040M0612PIR	plain washer 6	13
81.5	MZSGTSS03M06000L0N	tall self lock nut with nylon insert M6	14
81.6	MZSGTSM033112000	GTSP TO low hopper	1
81.7	MZSGTSS01M06016XPN	carriage bolt M6x16	7
81.8	MZSGTSS01M08016NFN	hex bolt M8x16	2
81.9	MZSGTSS040M0815LIR	open spring washer 8	2
81.10	MZSGTSS040M0816PIR	plain washer 8	2
81.11	MZSGTSM023125000	panic bar GTSP TOV2	1
81.12	MZSGTSS160000000	push pull cable connector	1
81.13	MZSGTSS120081200	nylon slide bearing 12x14	1
81.14	MZSGTSS040M1225PIR	plain washer 12	5
81.15	MZSGTSS090110000	circlips 11	1
81.16	MZSGTSM030202000	panic bar bracket low hopper	1
81.17	MZSGTSS14060020B	spring-type straight pin 6x20	1
81.18	MZSGTSM033173000	fork low hopper	1
81.19	MZSGTSS01M06012FFN	flange bolt with hexagon head M6x12	1
81.20	MZSGTSM083003000	torsion spring	1
81.21	MZSGTSM010098000	fork shaft	1
81.22	MZSGTSS01M06050NFN	hex bolt M6x50	1
81.23	MZSGTSS040M0618XIR	large special fender washer 6x30	1
81.24	MZSGTSS040M1020PIR	plain washer 10	2
81.25	MZSGTSS180000007	end cap tube 25x2	2
81.26	MZSGTSS01M08010BFN	hexagon socket button head screw M8x10	2
81.27	MZSGTSS210002000	silent block panic bar	2
81.28	MZSGTSS240000009	cable assembly panic bar L1150	1
81.29	MZSGTSM033402000	push plate safety lock PTO V2	1
81.30	MZSGTSA990000001	safety lock right	1



PARTNR.	ARTICLE NUMBER	PART NAME	QTY
78.1	MZSGTSM031811000	weldassembly output bottom 1800	1
78.2	MZSGTSM031812000	weldassembly top part output 1800	1
78.3	MZSGTSM031814000	swivel part middle	1
78.4	MZSGTSM031813000	locking disc	2
78.6	MZSGTSS03M06000L0N	tall self lock nut with nylon insert M6	6
78.7	MZSGTSS01M08020XPN	carriage bolt M8x20	3
78.8	MZSGTSS040M1016LIR	open spring washer 10	2
78.9	MZSGTSS040M0820BIR	large washer 8	3
78.10	MZSGTSS03M08000L0N	tall self lock nut with nylon insert M8	2
78.11	MZSGTSS040M1025BIR	large washer 10	3
78.14	MZSGTSM031815000	deflector 1800	1
78.16	MZSGTSM031818000	centring part middle	1
78.17	MZSGTSS040M0612PIR	plain washer 6	6
78.18	MZSGTSS040M612WIR	waved spring washer	6
78.19	MZSGTSS040M0615LIR	open spring washer 6	6
78.20	MZSGTSS01M06035NFN	hex bolt M6x35	6
78.22	MZSGTSS220015000	clamping lever internal thread M8	1
86	MZSGTSM023123000	trailer coupling	1
87	MZSGTSS01M16055NFN	hex bolt M16x55	2
88	MZSGTSS040M1630PIR	plain washer 16	4
89	MZSGTSS03M16000L0N	tall self lock nut with nylon insert M16	2
90	MZSGTSS17PTOCOUP	trailer coupler with pin	1
91	MZSGTSS170000003	PTO shaft with slipclutch and overrunning clutch	1
92	MZSGTSA07LPS13P1	loose part set for 1300PV1	1