

PARTS LIST BOOK

Wood Chipper

600

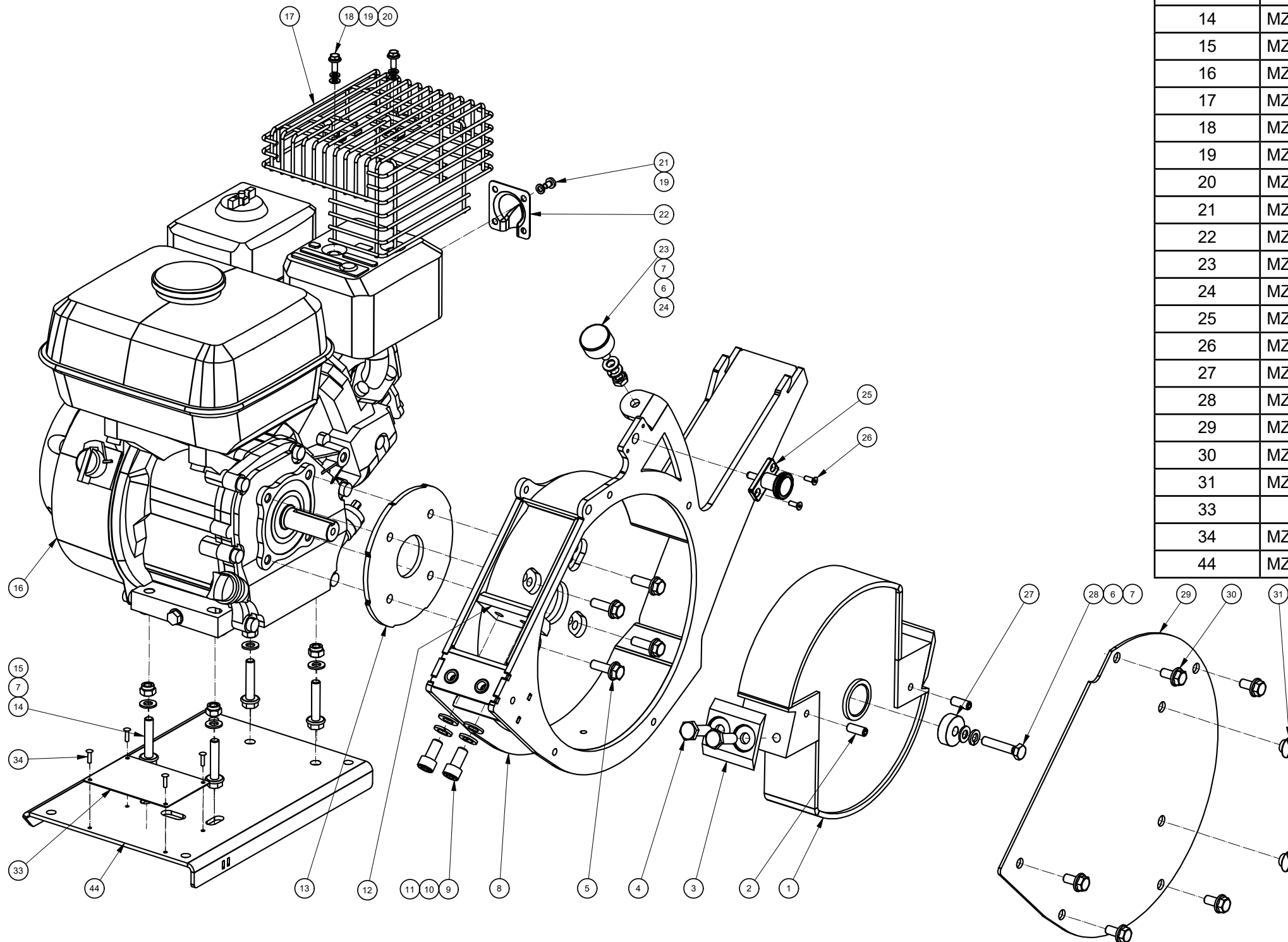
From Q4 2022

Serial number up from 03266 AB

<u>A. Parts list complete</u>	2
<u>B. Engine and rotor parts</u>	3
<u>C. Frame, wheels and panic button parts</u>	4
<u>D. Input, handle, output parts and accessories</u>	5

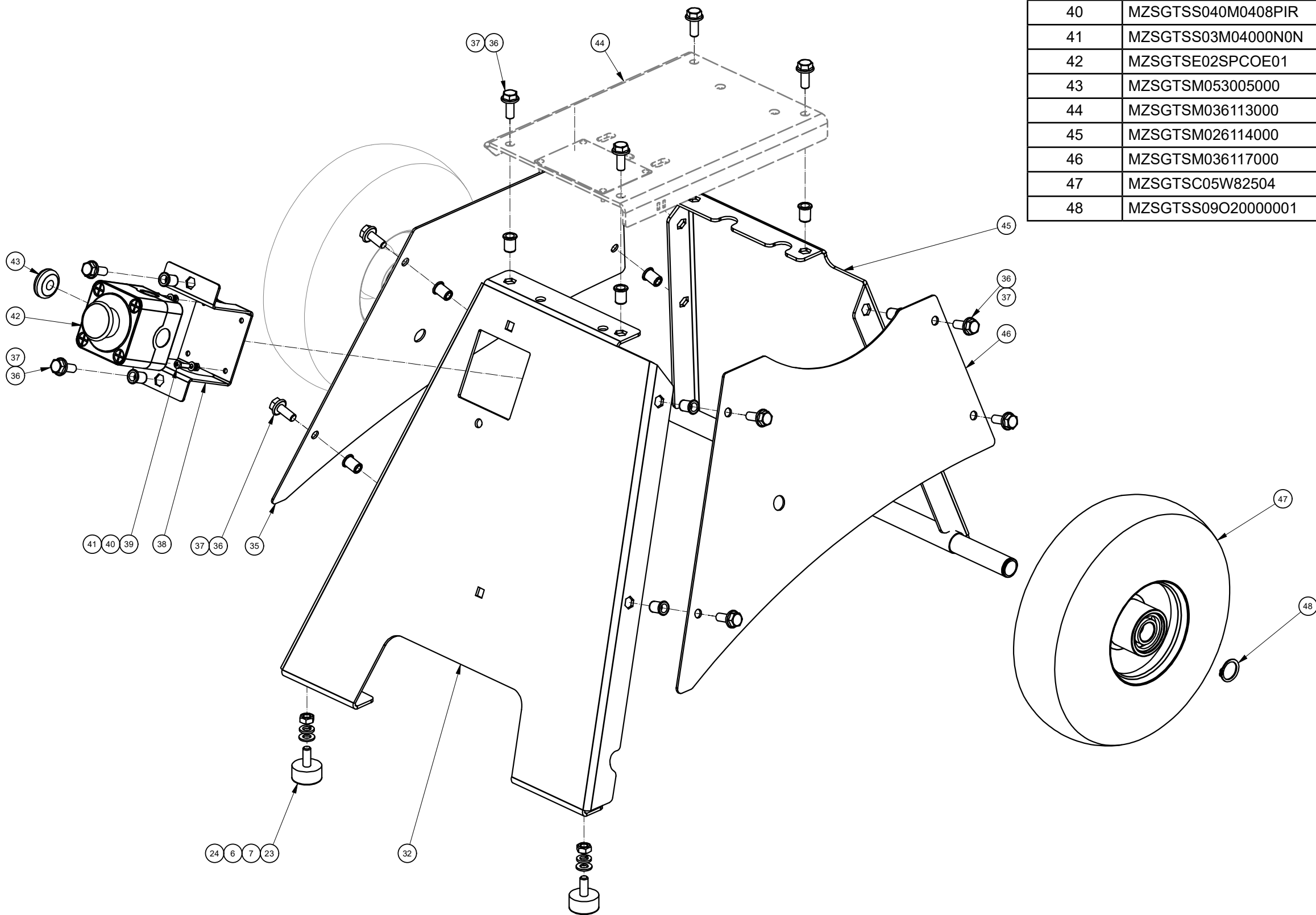
PARTNR.	ARTICLE NUMBER	PART NAME	QTY
1	MZSGTSM036025000	rotor	1
2	MZSGTSS01M08020J1S	set screw with flat point M8x20	2
3	MZSGTSM03601800PX1	X1 blade GTS600	2
4	MZSGTSS01M10030XFN	special M10 bolt for blade	4
5	MZSGTSS01M08025FFN	flange bolt with hexagon head M8x25	4
6	MZSGTSS040M0815LIR	open spring washer 8	4
7	MZSGTSS040M0816PIR	plain washer 8	8
8	MZSGTSM036107000	shredder box	1
9	MZSGTSS01M10020JFN	inner hexagon socket head cap bolt M10x20	2
10	MZSGTSS040M1016LIR	open spring washer 10	2
11	MZSGTSS040M1020PIR	plain washer 10	2
12	MZSGTSM030190000	Counter blade	1
13	MZSGTSM036120000	engine filling plate	1
14	MZSGTSS01M08040FFN	flange bolt with hexagon head M8x40	4
15	MZSGTSS03M08000L0N	tall self lock nut with nylon insert M8	4
16	MZSGTSC01GGTE200	engine loncin GT200	1
17	MZSGTSB070000001	heat cover loncin GT160	1
18	MZSGTSS01M05012FFN	flange bolt with hexagon head M5x12	2
19	MZSGTSS040M0510LIR	open spring washer 5	4
20	MZSGTSS040M0510PIR	plain washer 5	2
21	MZSGTSS01M05008RFN	cross recessed pan head screw M5x8	2
22	MZSGTSB070008004	muffler deflector GTE160	1
23	MZSGTSS210007000	vibration damper 15mm with stud M8	3
24	MZSGTSS03M08000N0N	hexagon standard nut M8	3
25	MZSGTSS14INDEXP1	index plunger dia 6mm	1
26	MZSGTSS01M04012CFN	hexagon head bolt partial thread M4x12	2
27	MZSGTSM010088000	Spacer	1
28	MZSGTSS01M08040NFN	hex bolt M8x40	1
29	MZSGTSM036119000	shredder box plate	1
30	MZSGTSS01M08016FFN	flange bolt with hexagon head M8x16	5
31	MZSGTSS99M120800	thread plug M12x1.5-8	2
32	MZSGTSM036111000	front frame plate	1
33		serial number base plate	1
34	MZSGTSS13AL32090	rivet 3.2x12	4
35	MZSGTSM036115000	left connection plate	1
36	MZSGTSS01M08020FFN	flange bolt with hexagon head M8x20	18
37	MZSGTSS03M08200R0N	blind rivet nut M8 long version	14
38	MZSGTSM036110000	plate for emergency switch	1
39	MZSGTSS01M04016RFN	cross recessed pan head screw M4x16	2
40	MZSGTSS040M0408PIR	plain washer 4	2
41	MZSGTSS03M04000N0N	hexagon standard nut M4	2
42	MZSGTSE02SPCOE01	emergency switch	1
43	MZSGTSM053005000	feedthrough coil 30-20x10	1
44	MZSGTSM036113000	engine fix plate	1
45	MZSGTSM026114000	back frame assembly	1

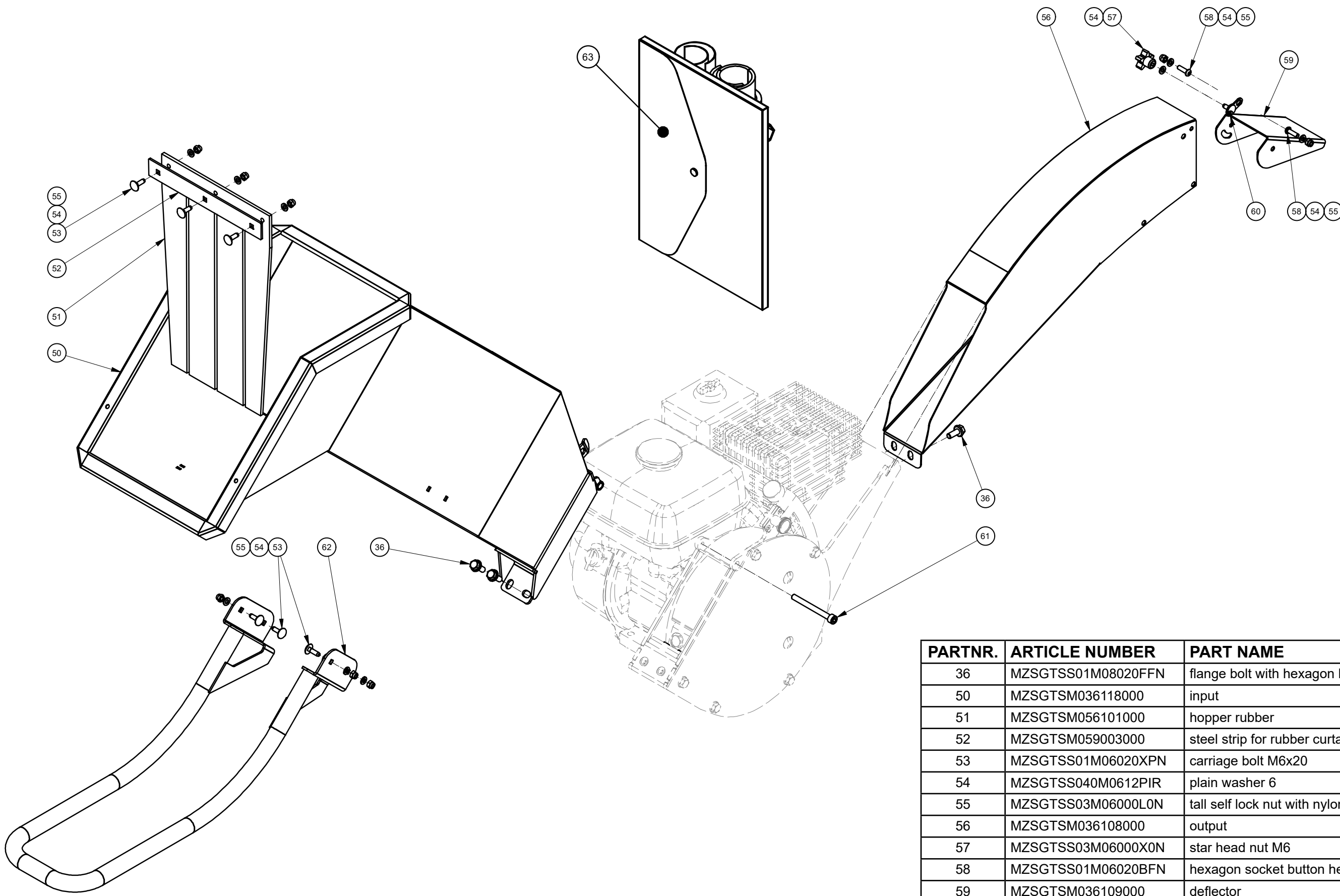
PARTNR.	ARTICLE NUMBER	PART NAME	QTY
46	MZSGTSM036117000	right connection plate	1
47	MZSGTSC05W82504	air tire 260x85 axle 20mm	2
48	MZSGTSS09O20000001	circlips 20	2
50	MZSGTSM036118000	input	1
51	MZSGTSM056101000	hopper rubber	1
52	MZSGTSM059003000	steel strip for rubber curtain	1
53	MZSGTSS01M06020XPN	carriage bolt M6x20	7
54	MZSGTSS040M0612PIR	plain washer 6	10
55	MZSGTSS03M06000L0N	tall self lock nut with nylon insert M6	9
56	MZSGTSM036108000	output	1
57	MZSGTSS03M06000X0N	star head nut M6	1
58	MZSGTSS01M06020BFN	hexagon socket button head screw M6x20	2
59	MZSGTSM036109000	deflector	1
60	MZSGTSM030450000	deflector fix bracket	1
61	MZSGTSS01M08080JFN	inner hexagon socket head cap bolt M8x80	1
62	MZSGTSM026116000	handle with radius	1
63	MZSGTSA07LPS0603	loose part set GTS600V3	1



PARTNR.	ARTICLE NUMBER	PART NAME	QTY
1	MZSGTSM036025000	rotor	1
2	MZSGTSS01M08020J1S	set screw with flat point M8x20	2
3	MZSGTSM03601800PX1	X1 blade GTS600	2
4	MZSGTSS01M10030XFN	special M10 bolt for blade	4
5	MZSGTSS01M08025FFN	flange bolt with hexagon head M8x25	4
6	MZSGTSS040M0815LIR	open spring washer 8	4
7	MZSGTSS040M0816PIR	plain washer 8	8
8	MZSGTSM036107000	shredder box	1
9	MZSGTSS01M10020JFN	inner hexagon socket head cap bolt M10x20	2
10	MZSGTSS040M1016LIR	open spring washer 10	2
11	MZSGTSS040M1020PIR	plain washer 10	2
12	MZSGTSM030190000	Counter blade	1
13	MZSGTSM036120000	engine filling plate	1
14	MZSGTSS01M08040FFN	flange bolt with hexagon head M8x40	4
15	MZSGTSS03M08000L0N	tall self lock nut with nylon insert M8	4
16	MZSGTSC01GGTE200	engine loncin GT200	1
17	MZSGTSB070000001	heat cover loncin GT160	1
18	MZSGTSS01M05012FFN	flange bolt with hexagon head M5x12	2
19	MZSGTSS040M0510LIR	open spring washer 5	4
20	MZSGTSS040M0510PIR	plain washer 5	2
21	MZSGTSS01M05008RFN	cross recessed pan head screw M5x8	2
22	MZSGTSB070008004	muffler deflector GTE160	1
23	MZSGTSS210007000	vibration damper 15mm with stud M8	3
24	MZSGTSS03M08000N0N	hexagon standard nut M8	3
25	MZSGTSS14INDEXP1	index plunger dia 6mm	1
26	MZSGTSS01M04012CFN	hexagon head bolt partial thread M4x12	2
27	MZSGTSM010088000	Spacer	1
28	MZSGTSS01M08040NFN	hex bolt M8x40	1
29	MZSGTSM036119000	shredder box plate	1
30	MZSGTSS01M08016FFN	flange bolt with hexagon head M8x16	5
31	MZSGTSS99M120800	thread plug M12x1.5-8	2
33		serial number base plate	1
34	MZSGTSS13AL32090	rivet 3.2x12	4
44	MZSGTSM036113000	engine fix plate	1

PARTNR.	ARTICLE NUMBER	PART NAME	QTY
6	MZSGTSS040M0815LIR	open spring washer 8	4
7	MZSGTSS040M0816PIR	plain washer 8	8
23	MZSGTSS210007000	vibration damper 15mm with stud M8	3
24	MZSGTSS03M08000N0N	hexagon standard nut M8	3
32	MZSGTSM036111000	front frame plate	1
35	MZSGTSM036115000	left connection plate	1
36	MZSGTSS01M08020FFN	flange bolt with hexagon head M8x20	18
37	MZSGTSS03M08200R0N	blind rivet nut M8 long version	14
38	MZSGTSM036110000	plate for emergency switch	1
39	MZSGTSS01M04016RFN	cross recessed pan head screw M4x16	2
40	MZSGTSS040M0408PIR	plain washer 4	2
41	MZSGTSS03M04000N0N	hexagon standard nut M4	2
42	MZSGTSE02SPCOE01	emergency switch	1
43	MZSGTSM053005000	feedthrough coil 30-20x10	1
44	MZSGTSM036113000	engine fix plate	1
45	MZSGTSM026114000	back frame assembly	1
46	MZSGTSM036117000	right connection plate	1
47	MZSGTSC05W82504	air tire 260x85 axle 20mm	2
48	MZSGTSS09O20000001	circlips 20	2





PARTNR.	ARTICLE NUMBER	PART NAME	QTY
36	MZSGTSS01M08020FFN	flange bolt with hexagon head M8x20	18
50	MZSGTSM036118000	input	1
51	MZSGTSM056101000	hopper rubber	1
52	MZSGTSM059003000	steel strip for rubber curtain	1
53	MZSGTSS01M06020XPN	carriage bolt M6x20	7
54	MZSGTSS040M0612PIR	plain washer 6	10
55	MZSGTSS03M06000L0N	tall self lock nut with nylon insert M6	9
56	MZSGTSM036108000	output	1
57	MZSGTSS03M06000X0N	star head nut M6	1
58	MZSGTSS01M06020BFN	hexagon socket button head screw M6x20	2
59	MZSGTSM036109000	deflector	1
60	MZSGTSM030450000	deflector fix bracket	1
61	MZSGTSS01M08080JFN	inner hexagon socket head cap bolt M8x80	1
62	MZSGTSM026116000	handle with radius	1
63	MZSGTSA07LPS0603	loose part set GTS600V3	1