

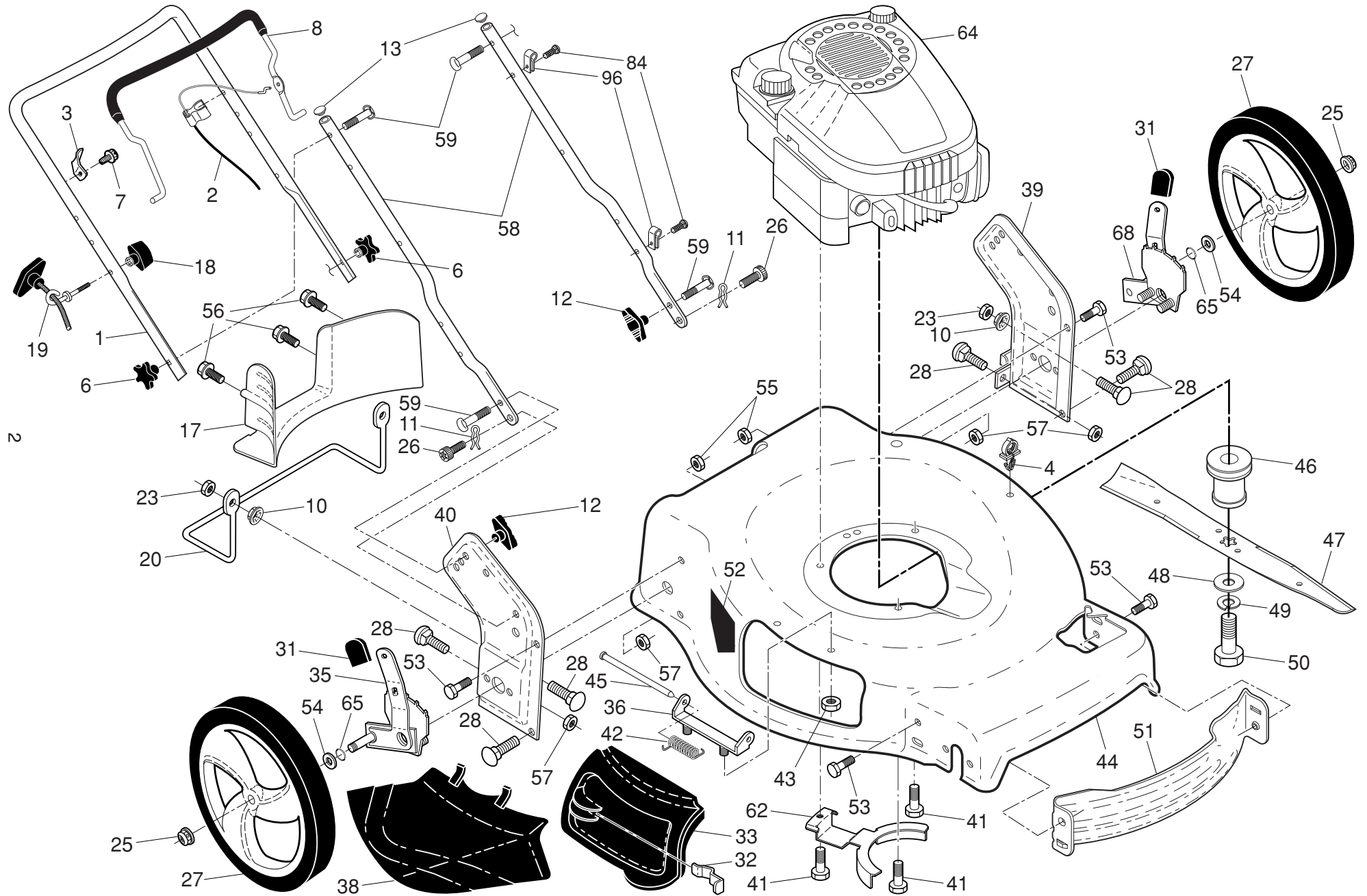
ILLUSTRATED PARTS LIST

MODEL NUMBER LB 155S

PRODUCT NUMBER 961 21 00-27

MFG. ID. NUMBER 96121002700

HUSQVARNA LAWN MOWER - MODEL NO. LB 155S PRODUCT NO. 961 21 00-27 (MFG. ID. NO. 96121002700)



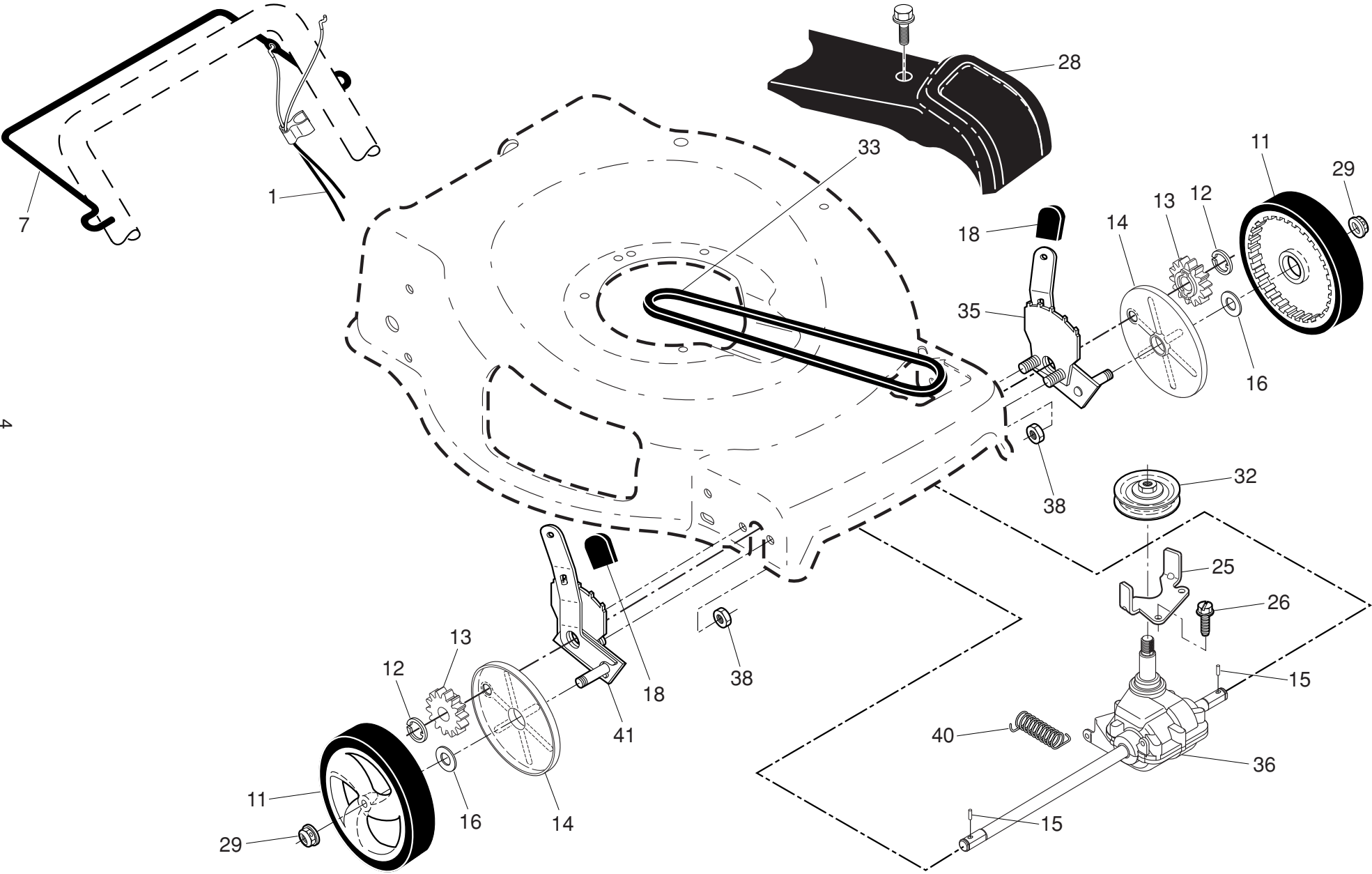
HUSQVARNA LAWN MOWER - MODEL NO. LB 155S PRODUCT NO. 961 21 00-27 (MFG. ID. NO. 96121002700)

| KEY NO. | PART NO. | DESCRIPTION | KEY NO. | PART NO. | DESCRIPTION |
|---------|--------------|--|---------|--------------|---|
| 1 | 580 63 87-03 | Upper Handle | 43 | 532 19 17-30 | Nut, Hex, Nylock |
| 2 | 532 42 40-33 | Engine Zone Control Cable | 44 | 581 80 19-01 | Kit, Lawn Mower Housing |
| 3 | 532 43 00-34 | Bracket, Upstop | 45 | 532 17 56-50 | Rod, Hinge |
| 4 | 532 14 50-06 | Guide, Cable | 46 | 581 47 33-01 | Blade Adapter / Pulley |
| 6 | 532 18 23-98 | Handle Knob, Star | 47 | 580 24 40-01 | Blade, 22" |
| 7 | 532 17 88-48 | Screw, Hex Washer Head #10-16 x 5/8 | 48 | 532 85 10-74 | Washer, Hardened |
| 8 | 580 84 91-02 | Control Bar, Overmolded | 49 | 532 85 02-63 | Washer, Helical |
| 10 | 532 42 30-63 | Palnut | 50 | 532 85 10-84 | Screw, Machine, Hex Head 3/8-24 x 1-3/8 Grade 8 |
| 11 | 532 42 55-75 | Hairpin | 51 | 532 43 05-99 | Front Baffle |
| 12 | 532 19 19-38 | Handle Knob, Standard | 52 | 532 18 21-66 | Decal, Danger |
| 13 | 532 43 75-16 | Plug, Lower Handle Bar | 53 | 817 00 05-10 | Screw, Hex Head 5/16 |
| 17 | 532 42 73-07 | Rear Baffle | 54 | 532 08 83-48 | Washer, Flat |
| 18 | 581 91 26-01 | T-Knob | 55 | 532 19 17-30 | Nut, Hex, Flanged 1/4-20 |
| 19 | 581 90 21-01 | Rope Guide | 56 | 817 41 13-12 | Screw, Hex Washer Head #13 x 3/4 |
| 20 | 532 42 24-67 | Footguard | 57 | 532 15 53-77 | Locknut, Hex 5/16-18 |
| 23 | 873 97 05-00 | Nut, Hex | 58 | 532 44 11-97 | Bar, Lower Handle |
| 25 | 532 40 91-49 | Nut, Hex, Flanged | 59 | 532 19 15-74 | Handle Bolt |
| 26 | 532 41 99-45 | Screw, Rear Door/Handle Pivot | 62 | 532 43 50-59 | Belt Retainer |
| 27 | 580 33 46-01 | Wheel & Tire Assembly, Rear | 64 | - - - | Engine, Briggs & Stratton, Model Number 124T02-0310-H1 (order parts from Briggs & Stratton) |
| 28 | 872 25 05-05 | Bolt, Carriage 5/16-18 x 5/8 | | | |
| 31 | 532 70 10-37 | Selector Knob | 65 | 532 19 74-80 | O-Ring |
| 32 | 532 44 11-92 | Latch, Mulcher Door | 68 | 532 43 11-41 | Wheel Adjuster Assembly, LH (Includes Knob) |
| 33 | 532 41 99-27 | Mulcher Door | | | |
| 35 | 532 43 11-40 | Wheel Adjuster Assembly, RH (Includes Knob) | 84 | 532 42 81-24 | Fastener, Push |
| 36 | 532 17 57-35 | Hinge Bracket Assembly | 96 | 532 19 79-91 | Clip, Cable |
| 38 | 532 42 61-29 | Discharge Deflector | - - | 115 62 96-20 | Operator's Manual, European |
| 39 | 581 35 37-02 | Handle Bracket, LH | - - | 115 62 95-10 | Operator's Manual, Scandinavian |
| 40 | 581 35 36-02 | Handle Bracket, RH | - - | 115 62 98-50 | Operator's Manual, East Bloc |
| 41 | 532 15 04-06 | Screw, Dogpoint 3/8-16 x 1-1/8 | - - | 115 62 97-40 | Operator's Manual, Baltic |
| 42 | 532 19 30-00 | Spring, Torsion | | | |

NOTE: All component dimensions given in U.S. inches. 1 inch = 25.4 mm

IMPORTANT: Use only Original Equipment Manufacturer (O.E.M.) replacement parts. Failure to do so could be hazardous, damage your lawn mower and void your warranty.

HUSQVARNA LAWN MOWER - MODEL NO. LB 155S PRODUCT NO. 961 21 00-27 (MFG. ID. NO. 96121002700)



HUSQVARNA LAWN MOWER - MODEL NO. LB 155S PRODUCT NO. 961 21 00-27 (MFG. ID. NO. 96121002700)

| KEY NO. | PART NO. | DESCRIPTION | KEY NO. | PART NO. | DESCRIPTION |
|---------|--------------|--------------------------------|---------|--------------|---|
| 1 | 585 04 07-01 | Drive Cable Assembly | | | |
| 7 | 585 12 31-02 | Control Bar, Drive | | | |
| 11 | 532 41 10-81 | Wheel & Tire Assembly, Front | | | |
| 12 | 812 00 00-58 | E-Ring | | | |
| 13 | 532 40 38-49 | Pinion | | | |
| 14 | 581 84 04-01 | Dust Cover | | | |
| 15 | 532 40 48-45 | Pawl, Drive | | | |
| 16 | 532 06 77-25 | Washer, Flat 3/8 | | | |
| 18 | 532 70 10-37 | Selector Knob | | | |
| 25 | 532 43 17-11 | Belt Guide Bracket | | | |
| 26 | 532 16 34-09 | Screw, Hi-Lo Thread #12 x 5/8 | | | |
| 28 | 581 83 90-01 | Drive Cover Assembly (Includes | | | |
| | | | 29 | 532 40 91-48 | Mounting Screw and Pushnut) |
| | | | | | Locknut, Hex |
| | | | 32 | 532 44 32-62 | Drive Pulley |
| | | | 33 | 532 19 68-53 | V-Belt |
| | | | 35 | 581 49 79-04 | Wheel Adjuster Assembly, LH (Includes Bearing) |
| | | | 36 | 532 42 47-41 | Gear Case Assembly, Complete |
| | | | 38 | 532 19 17-30 | Locknut 1/4-20 |
| | | | 40 | 532 40 65-58 | Spring |
| | | | 41 | 581 49 79-03 | Wheel Adjuster Assembly, RH (Includes Bearing) |

NOTE: All component dimensions given in U.S. inches. 1 inch = 25.4 mm

IMPORTANT: Use only Original Equipment Manufacturer (O.E.M.) replacement parts. Failure to do so could be hazardous, damage your lawn mower and void your warranty.