

Poulan PRO[®]

PARTS MANUAL

Zero Turn Mower

P54ZXT / 967333901-00

Please read the operator manual carefully and make sure you understand the instructions before using the machine.



When you need spare parts or support in service questions, warranty issues, etc., please consult the following professional:

| | | |
|---|--------|--------------|
| | | |
| This manual belongs to the machine with the manufacturing number: | Engine | Transmission |

Manufacturing Number

The machine's manufacturing number can be found on the printed plate affixed to the engine compartment.

Stated on the plate, from the top are:

- The machine's type designation (I.D.).
- The manufacturer's type number (Model).
- The machine's serial number (Serial no.)

Please have the type designation and serial number available when ordering spare parts.

The engine's manufacturing number is stamped on one of the valve covers.

The plate states:

- The engine's model.
- The engine's type.
- Code

Please have these available when ordering spare parts.

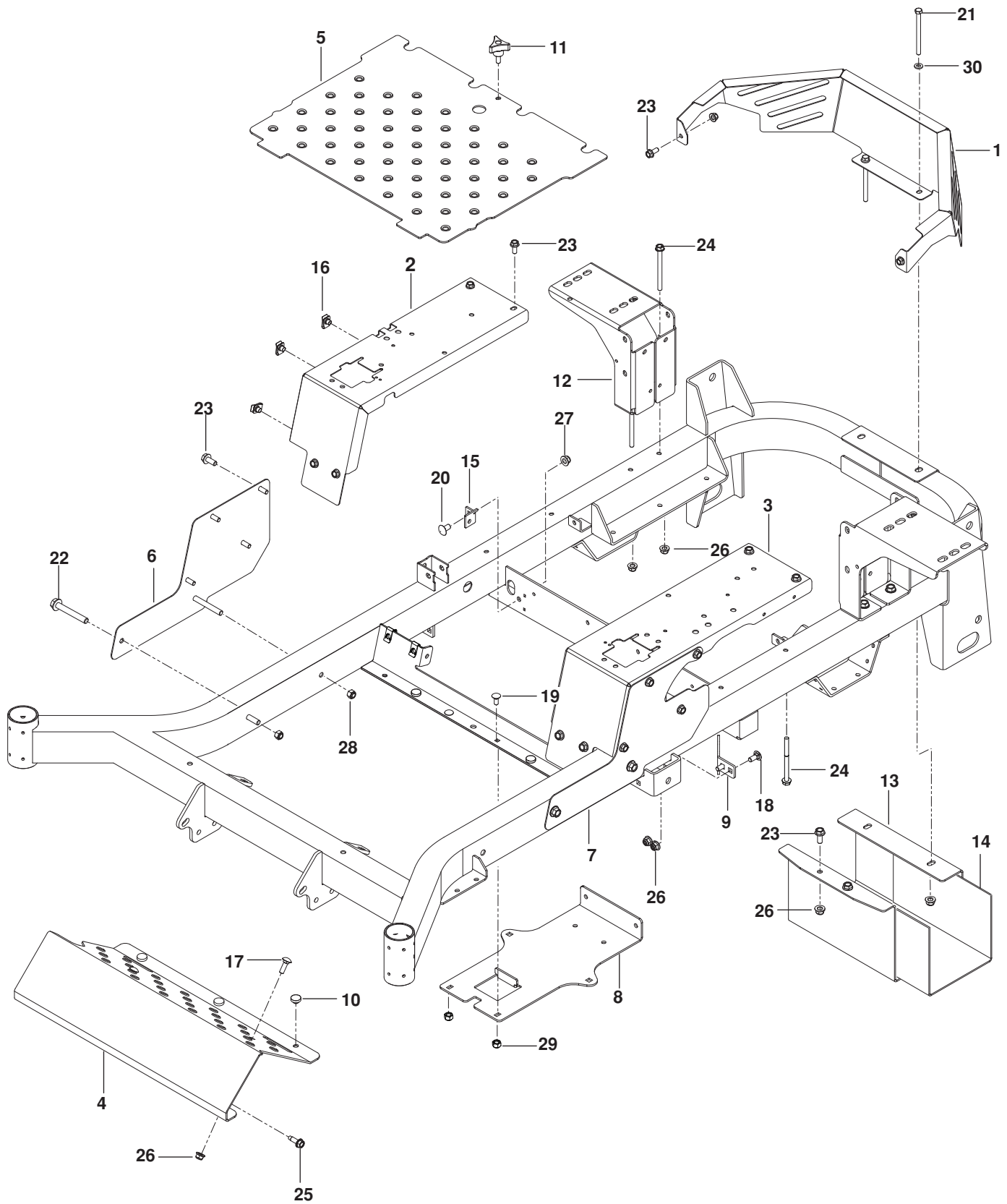
The wheel motors and hydrostatic pumps have a barcode decal affixed at the rear.

CONTENTS

| | |
|---------------------------------|----|
| FRAME..... | 4 |
| ENGINE PLATE..... | 6 |
| STEERING | 8 |
| IGNITION SYSTEM | 10 |
| PARKING BRAKE | 12 |
| WHEELS AND TIRES..... | 16 |
| MOWER LIFT / DECK LIFT | 18 |
| MOWING DECK / CUTTING DECK..... | 20 |
| SEAT | 22 |
| DECALS..... | 24 |

NOTE: ALL FASTENERS ARE GRADE 5 UNLESS OTHERWISE SPECIFIED.

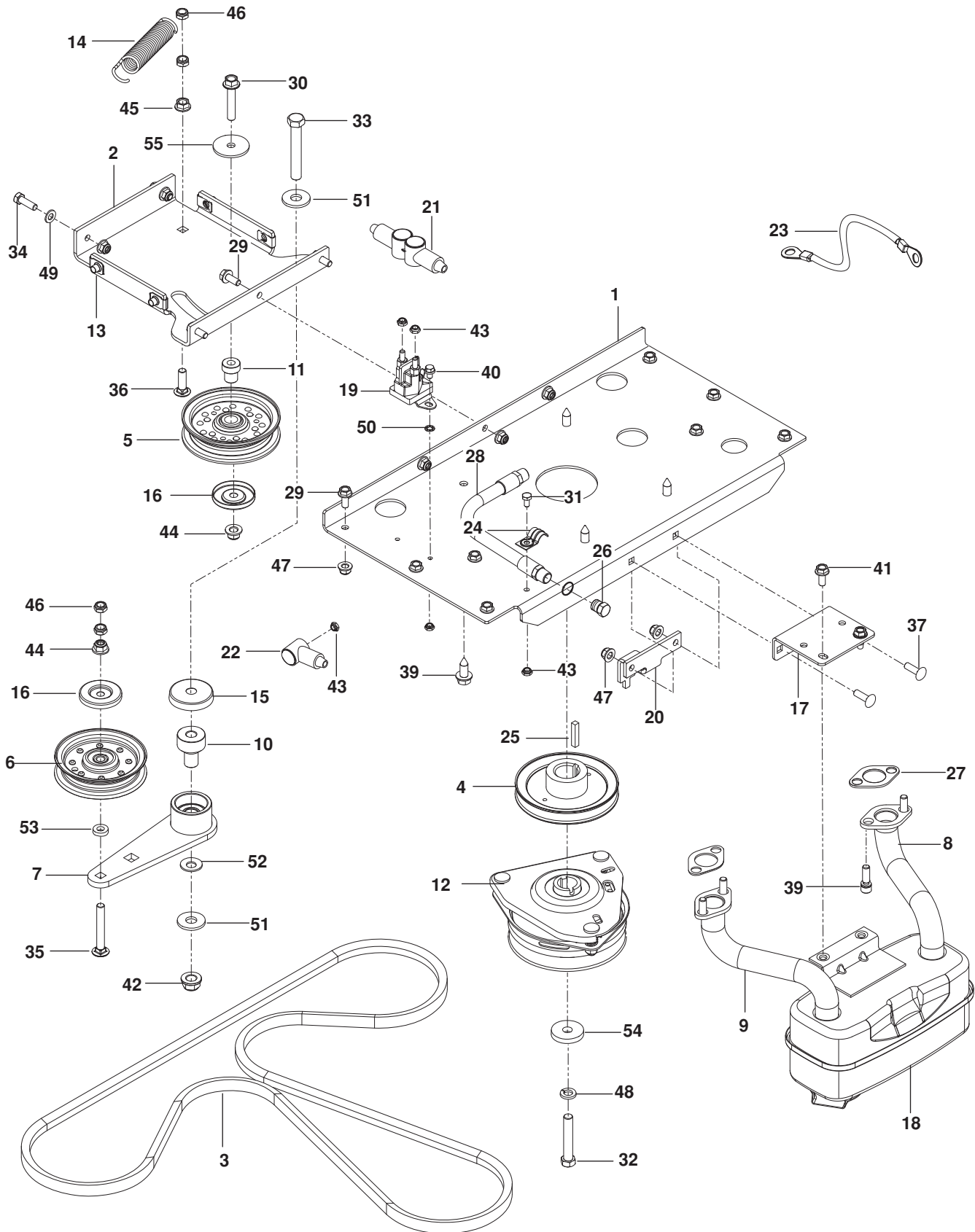
FRAME



FRAME

| ITEM | PART NO. | QTY. | DESCRIPTION | ITEM | PART NO. | QTY. | DESCRIPTION |
|------|-------------------|---------|-----------------------|------|-------------------|----------|--|
| 1.. | 576 87 85-04..... | 1 | GUARD, REAR BLK | 16.. | 539 10 47-63..... | 15 | RETAINER, U TYPE |
| 2.. | 577 25 69-04..... | 1 | PANEL, FILLER RT BLK | 17.. | 539 99 02-08..... | 2 | BOLT ⁵ / ₁₆ -18 x 1 RD HD SQNK |
| 3.. | 577 25 68-04..... | 1 | PANEL, FILLER LT BLK | 18.. | 539 99 03-16..... | 4 | BOLT ⁵ / ₁₆ -18 x ³ / ₄ RD HD SQNK |
| 4.. | 521 94 13-04..... | 1 | PLATE, FOOT REST BLK | 19.. | 872 11 04-06..... | 2 | BOLT ¹ / ₄ -20 x ³ / ₄ RD HD SQNK |
| 5.. | 574 89 16-02..... | 1 | PLATE, FLOOR BLK | 20.. | 872 05 06-06..... | 2 | BOLT ³ / ₈ -16 x ³ / ₄ RD HD SQNK |
| 6.. | 577 25 97-01..... | 1 | SIDE, RT BLK | 21.. | 539 10 23-35..... | 2 | BOLT ⁵ / ₁₆ -18 x 4 HEX HD |
| 7.. | 577 25 98-01..... | 1 | SIDE, LT BLK | 22.. | 874 49 06-44..... | 4 | BOLT ³ / ₈ -16 x 2 ³ / ₄ HEX FLG HD |
| 8.. | 575 01 72-02..... | 1 | PLATE, BATTERY BLK | 23.. | 874 49 05-12..... | 20 | BOLT ⁵ / ₁₆ -18 x ³ / ₄ HEX FLG HD |
| 9.. | 505 25 64-01..... | 2 | STOP, DECK | 24.. | 874 49 05-60..... | 6 | BOLT ⁵ / ₁₆ -18 x 3 ³ / ₄ HEX FLG HD |
| 10.. | 539 10 25-87..... | 7 | GROMMET, BUMPER | 25.. | 539 11 32-26..... | 2 | BOLT ⁵ / ₁₆ -18 x 1 HX THD FRM |
| 11.. | 539 10 44-11..... | 1 | KNOB w/ STUD | 26.. | 539 11 28-99..... | 14 | NUT ⁵ / ₁₆ -18 HEX FLG NYLOC |
| 12.. | 575 53 36-02..... | 2 | MOUNT, TANK BLK | 27.. | 521 99 65-01..... | 2 | NUT ³ / ₈ -16 HEX FLG NYLOC |
| 13.. | 575 23 04-02..... | 1 | SHIELD, MUFFLER BLK | 28.. | 539 20 02-82..... | 4 | NUT ³ / ₈ -16 HEX JAM NYLOC |
| 14.. | 539 13 28-59..... | 1 | SHIELD, HEAT | 29.. | 539 97 69-78..... | 2 | NUT ¹ / ₄ x 20 HEX NYLOC |
| 15.. | 575 24 52-01..... | 2 | BRACKET, DAMPENER BLK | 30.. | 539 99 01-88..... | 2 | WASHER ⁵ / ₁₆ SAE |

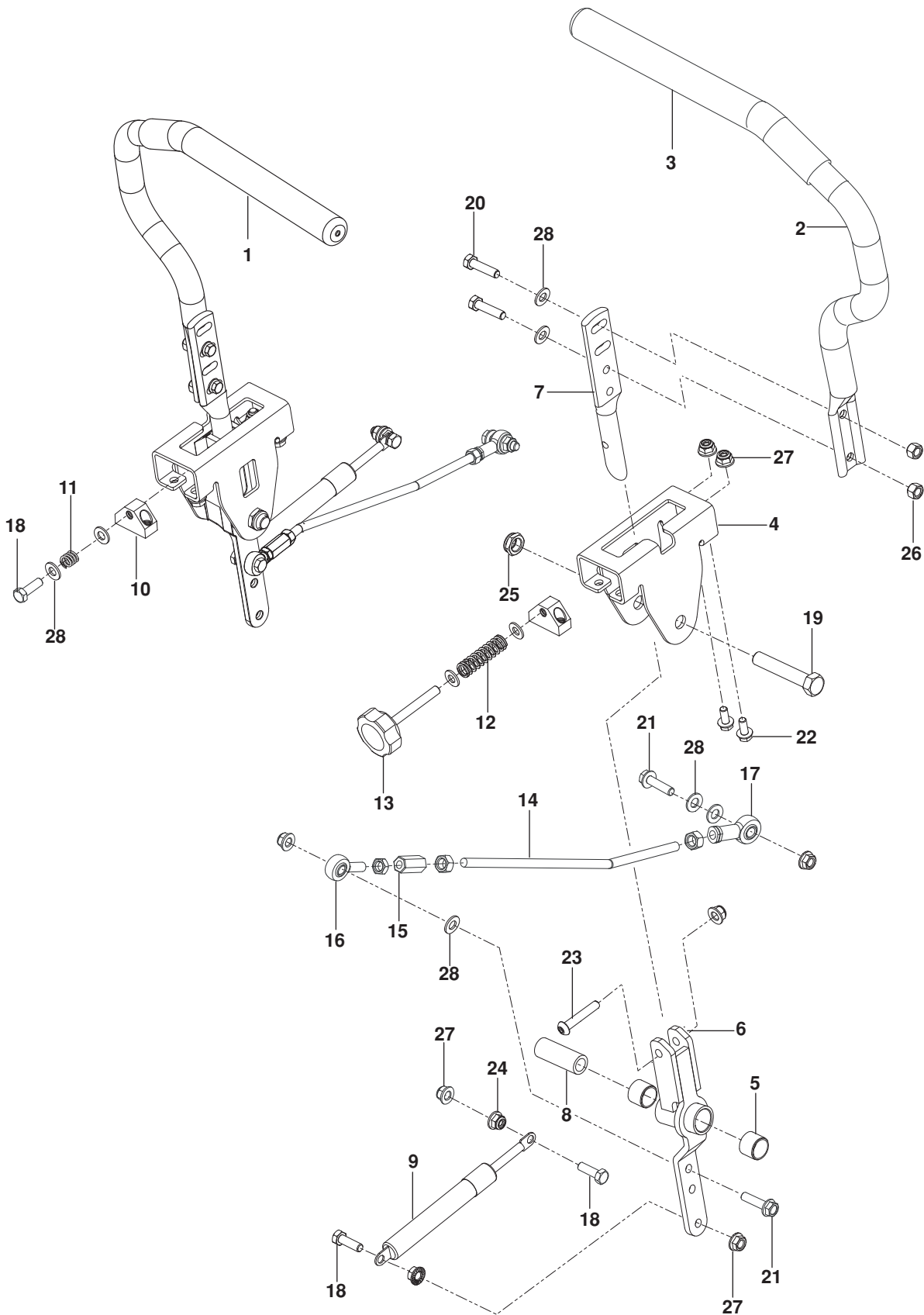
ENGINE PLATE



ENGINE PLATE

| ITEM | PART NO. | QTY. | DESCRIPTION | ITEM | PART NO. | QTY. | DESCRIPTION |
|------|-------------------|------|-----------------------------|-------------------|-------------------|-------------------------------|-----------------------------|
| 1.. | 574 84 63-02..... | 1 | PLATE, ENGINE BLK | 32.. | 581 33 28-02..... | 1 | BOLT 7/16-20 x 2½ HEX HD |
| 2.. | 574 84 64-02..... | 1 | PLATE, IDLER SUPPORT BLK | 33.. | 539 10 34-33..... | 1 | BOLT ½-13 x 3¼ HEX HD |
| 3.. | 574 87 09-01..... | 1 | BELT, HYDRO | 34.. | 539 99 02-09..... | 2 | BOLT 5/16-18 x 1 HEX HD |
| 4.. | 585 81 37-01..... | 1 | PULLEY | 35.. | 539 13 02-35..... | 1 | BOLT 3/8-16 x 2¾ RD HD SQNK |
| 5.. | 539 97 66-88..... | 1 | PULLEY, IDLER | 36.. | 539 10 04-13..... | 1 | BOLT 3/8-16 x 1¼ RD HD SQNK |
| 6.. | 532 17 58-20..... | 1 | PULLEY, IDLER SECONDARY | 37.. | 539 10 72-71..... | 2 | BOLT 5/16-18 x 1 RD HD SQNK |
| 7.. | 510 04 16-03..... | 1 | ARM, IDLER w/ BEARINGS | 38.. | 817 12 06-16..... | 4 | SCREW 3/8-16 x 1 THD FRM |
| 8.. | 583 95 48-01..... | 1 | EXHAUST TUBE, RT | 39.. | 532 19 23-34..... | 4 | SCREW 5/16-18 x ¾ SKT HD |
| 9.. | 583 95 45-01..... | 1 | EXHAUST TUBE, LT | 40.. | 539 99 03-02..... | 2 | SCREW ¼-20 x 3/8 THD FRM |
| 10.. | 510 20 63-01..... | 1 | PIVOT, BEARING | 41.. | 539 10 74-75..... | 2 | SCREW 5/16-18 x ¾ THD FRM |
| 11.. | 525 43 56-01..... | 1 | PIVOT, IDLER | 42.. | 521 99 11-01..... | 1 | NUT ½-13 FLG NYLOC |
| 12.. | 532 17 93-35..... | 1 | CLUTCH | 43.. | 539 10 81-20..... | 4 | NUT ¼-20 THIN NYLOC |
| 13.. | 539 10 47-63..... | 4 | RETAINER, U TYPE | 44.. | 521 99 65-01..... | 2 | NUT 3/8-16 FLG NYLOC |
| 14.. | 510 25 44-01..... | 1 | SPRING, PUMP | 45.. | 539 99 06-13..... | 1 | NUT 3/8-16 WHIZLK |
| 15.. | 539 11 46-62..... | 1 | SHIELD, DUST | 46.. | 539 20 02-82..... | 4 | NUT 3/8-16 JAM NYLOC |
| 16.. | 510 25 45-01..... | 2 | SHIELD, DUST | 47.. | 539 11 28-99..... | 15 | NUT 5/16-18 HEX FLG NYLOC |
| 17.. | 575 22 99-02..... | 1 | BRACKET, MUFFLER BLK | 48.. | 539 99 02-47..... | 1 | WASHER 7/16 SLW |
| 18.. | 539 13 16-04..... | 1 | MUFFLER | 49.. | 539 99 01-88..... | 2 | WASHER 5/16 SAE |
| 19.. | 532 19 25-07..... | 1 | SOLENOID | 50.. | 539 99 00-53..... | 1 | WASHER ¼ INT TOOTH LK |
| 20.. | 585 81 36-01..... | 1 | STOP, CLUTCH | 51.. | 539 10 95-54..... | 2 | WASHER ½ |
| 21.. | 532 13 15-63..... | 2 | INSULATOR | 52.. | 539 11 55-28..... | 1 | WASHER ½ BELLEVILLE |
| 22.. | 539 10 27-59..... | 1 | INSULATOR | 53.. | 539 10 95-62..... | 1 | WASHER 3/8 |
| 23.. | 539 10 27-57..... | 1 | CABLE, POSITIVE | 54.. | 539 10 65-04..... | 1 | WASHER, HARDEN |
| 24.. | 539 10 13-63..... | 1 | CLAMP | 55.. | 539 11 18-97..... | 1 | WASHER 3/8 SPECIAL |
| 25.. | 539 91 27-57..... | 1 | KEY ¼ SQ x 1¼ | NOT SHOWN | | | |
| 26.. | 585 80 71-01..... | 1 | PLUG, OIL DRAIN | 532 19 83-16..... | 1 | ADAPTER, CLUTCH | |
| 27.. | 586 83 99-01..... | 2 | GASKET, MUFFLER KAW | ----- | 1 | ENGINE, KOHLER | |
| 28.. | 584 82 55-01..... | 1 | HOSE, DRAIN | | | KT745 26 HP | |
| 29.. | 874 49 05-12..... | 11 | BOLT 5/16-18 x ¾ HEX FLG HD | | | For engine replacement parts, | |
| 30.. | 874 49 06-32..... | 1 | BOLT 3/8-16 x 2 HEX FLG HD | | | see a Kohler dealer | |
| 31.. | 539 99 00-71..... | 1 | BOLT ¼-20 x ½ HEX HD | | | | |

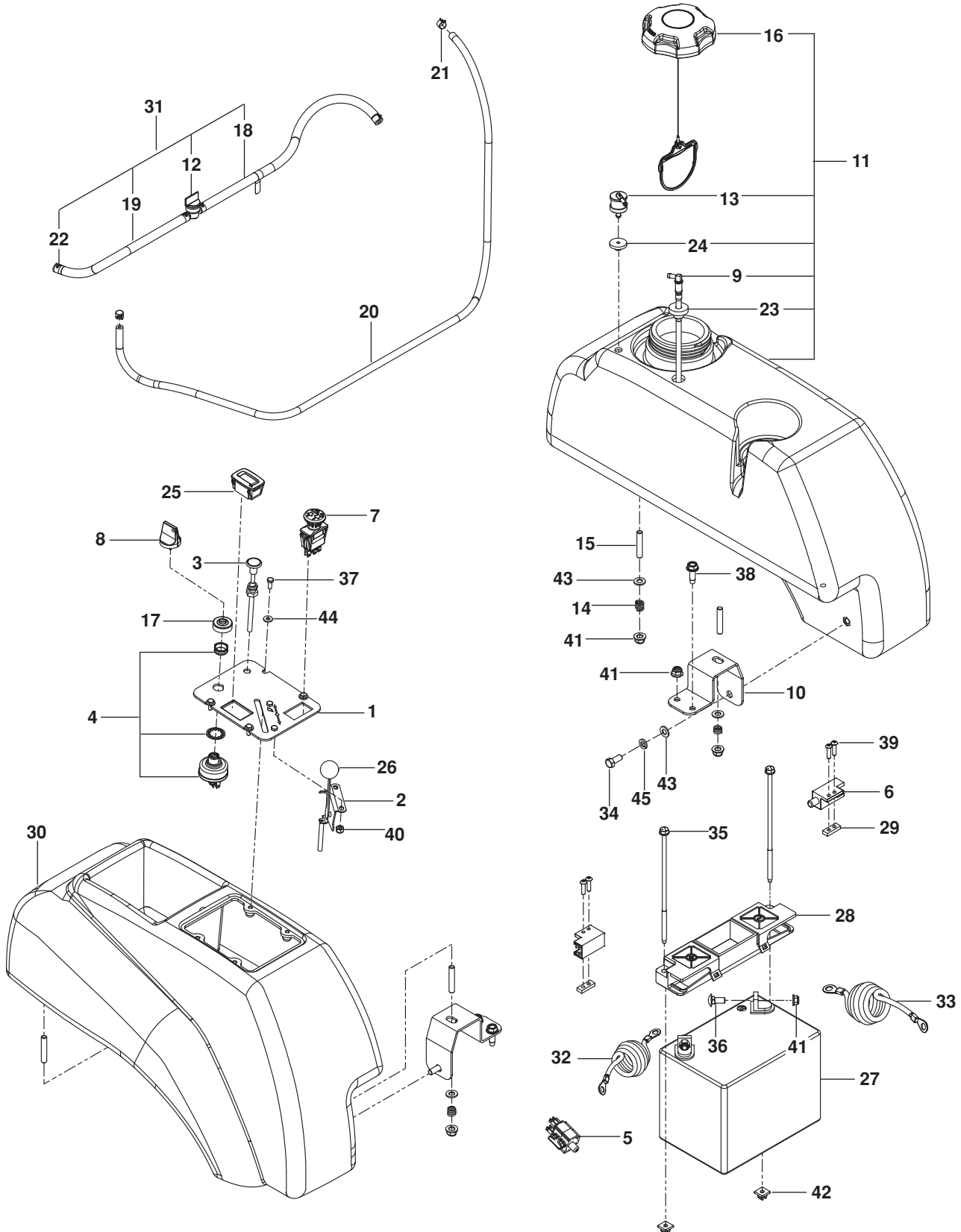
STEERING



STEERING

| ITEM | PART NO. | QTY. | DESCRIPTION | ITEM | PART NO. | QTY. | DESCRIPTION |
|------|--------------------|------|-----------------------|------|-------------------|------|--|
| 1.. | 539 13 20-09..... | 1 | LEVER w/ GRIP RT | 15.. | 539 11 66-89..... | 2 | COUPLER, ROD END |
| 2.. | 539 13 20-10..... | 1 | LEVER w/ GRIP LT | 16.. | 539 11 66-90..... | 2 | ROD END LT |
| 3.. | 539 13 08-94..... | 2 | GRIP, FOAM | 17.. | 539 11 57-29..... | 2 | ROD END RT |
| 4.. | 586 73 72-02..... | 2 | BRACKET, CONTROL | 18.. | 874 78 05-20..... | 5 | BOLT $\frac{5}{16}$ -18 x $1\frac{1}{4}$ HEX HD |
| 5.. | 532 43 82-82..... | 4 | BEARING | 19.. | 874 78 08 44..... | 2 | BOLT $\frac{1}{2}$ -13 x $2\frac{3}{4}$ HEX HD |
| 6.. | 587 18 77 01..... | 2 | LEVER, CONTROL | 20.. | 539 97 69-35..... | 4 | BOLT $\frac{5}{16}$ -18 x $1\frac{1}{2}$ HEX HD |
| 7.. | 577 42 00-01..... | 2 | LEVER, HANDLE | 21.. | 525 54 40-01..... | 4 | BOLT $\frac{5}{16}$ -18 x $1\frac{1}{4}$ TPBLT |
| 8.. | 584 92 72-01..... | 2 | SPACER, PIVOT CONTROL | 22.. | 874 49 05 12..... | 8 | BOLT $\frac{5}{16}$ -18 X $\frac{3}{4}$ HEX FLG HD |
| 9.. | 539 10 27-20..... | 2 | DAMPENER | 23.. | 576 85 04-02..... | 2 | SCREW $\frac{5}{16}$ -18 X $1\frac{3}{4}$ BTN HD |
| 10.. | 581 43 75-01 | 2 | BLOCK, TRACKING | 24.. | 539 99 05-85..... | 4 | NUT $\frac{5}{16}$ -18 HEX WHIZLK |
| 11.. | 539 10 28-45..... | 1 | SPRING | 25.. | 539 10 80-10..... | 2 | NUT $\frac{1}{2}$ -13 HEX JAM NYL GR2 |
| 12.. | 576 85 03-01..... | 1 | SPRING | 26.. | 539 99 07-17..... | 6 | NUT $\frac{5}{16}$ -18 HEX NYLOC |
| 13.. | 539 13 17-99..... | 1 | KNOB | 27.. | 539 11 28-99..... | 12 | NUT $\frac{5}{16}$ -18 HEX FLG NYLOC |
| 14.. | 574 81 14-01..... | 2 | ROD, MOTION CONTROL | 28.. | 819 11 11-16..... | 12 | WASHER $\frac{5}{16}$ SAE FLT |

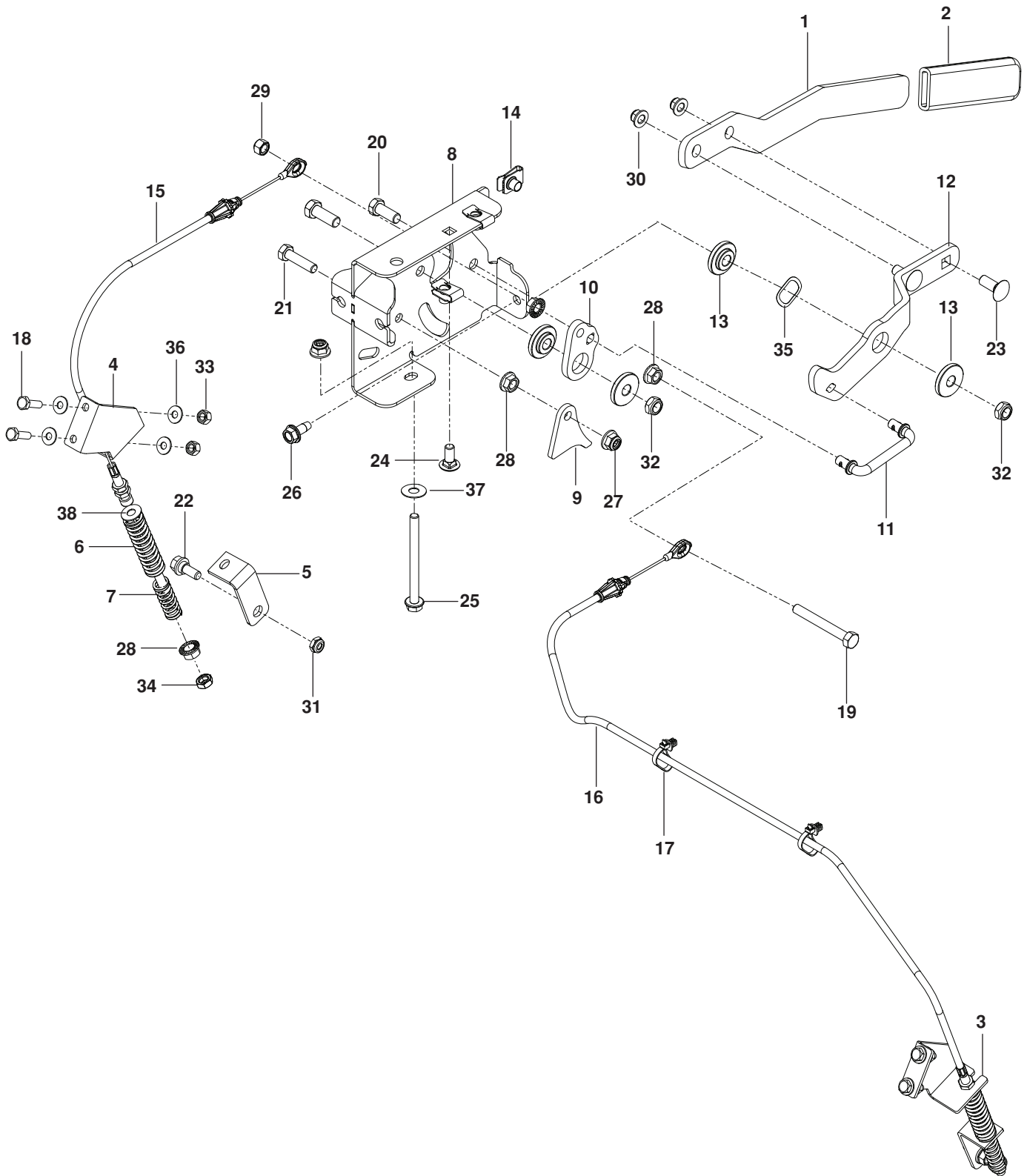
IGNITION SYSTEM



IGNITION SYSTEM

| ITEM | PART NO. | QTY. | DESCRIPTION | ITEM | PART NO. | QTY. | DESCRIPTION |
|------|-------------------|---------|---|-------------------|-------------------|---------------|--|
| 1.. | 574 84 12-04..... | 1 | PLATE, CONSOLE, BLK | 25.. | 586 16 18-01..... | 1 | METER, SERVICE |
| 2.. | 539 10 27-32..... | 1 | CABLE, THROTTLE | 26.. | 539 13 30-49..... | 1 | KNOB |
| 3.. | 539 11 34-58..... | 1 | CABLE, CHOKE | 27.. | 539 10 24-36..... | 1 | BATTERY |
| 4.. | 574 45 54-01..... | 1 | SWITCH, IGNITION | 28.. | 539 10 76-28..... | 1 | BATTERY HOLD DOWN |
| 5.. | 539 11 37-92..... | 1 | SWITCH, BRAKE | 29.. | 581 22 30-01..... | 2 | PLATE, TAPPED |
| 6.. | 532 10 95-53..... | 2 | SWITCH, INTERLOCK | 30.. | 576 68 37-01..... | 1 | CONSOLE, RT BLK |
| 7.. | 539 13 16-27..... | 1 | SWITCH, PTO 10 AMP | 31.. | 586 12 39-01..... | 1 | ASSY, FUEL LINE |
| 8.. | 574 45 55-01..... | 1 | KEY, IGNITION | 32.. | 539 10 49-74..... | 1 | CABLE, POSITIVE 31" |
| 9.. | 576 46 92-01..... | 1 | FITTING, FUEL | 33.. | 539 10 76-45..... | 1 | CABLE, NEGATIVE 32" |
| 10.. | 539 13 16-71..... | 2 | SUPPORT, TANK, BLK | 34.. | 874 78 05-12..... | 2 | BOLT ⁵ / ₁₆ -18 x ³ / ₄ HEX HD |
| 11.. | 585 72 23-02..... | 1 | TANK ASSY LT BLK | 35.. | 539 10 76-32..... | 2 | BOLT ¹ / ₄ x 7 ¹ / ₂ |
| 12.. | 539 91 63-25..... | 1 | VALVE, FUEL | 36.. | 539 99 03-16..... | 2 | BOLT ⁵ / ₁₆ -18 x ³ / ₄ RD HD SQNK |
| 13.. | 576 61 81-01..... | 1 | VALVE, FUEL CHECK | 37.. | 539 99 04-11..... | 6 | SCREW #10-24 x ¹ / ₂ SLT |
| 14.. | 539 10 28-45..... | 6 | SPRING | 38.. | 817 49 05-16..... | 3 | SCREW ⁵ / ₁₆ -18 x 1 THD FRM |
| 15.. | 539 10 25-02..... | 6 | STUD ⁵ / ₁₆ -18 | 39.. | 574 82 27-01..... | 4 | SCREW #10-24 x ³ / ₄ SKT HD |
| 16.. | 575 01 81-01..... | 1 | FUEL CAP w /TETHER | 40.. | 539 97 69-77..... | 2 | NUT #10-24 NYLOC |
| 17.. | 539 10 31-78..... | 1 | CAP, IGNITION SWITCH NUT | 41.. | 539 11 28-99..... | 12 | NUT ⁵ / ₁₆ -18 HEX FLG NYLOC |
| 18.. | 587 04 48-26..... | 1 | HOSE, FUEL 26" | 42.. | 539 10 76-29..... | 2 | NUT ¹ / ₄ PUSH NYLON |
| 19.. | 587 04 48 10..... | 1 | HOSE, FUEL 10" | 43.. | 819 11 11-16..... | 8 | WASHER ⁵ / ₁₆ SAE |
| 20.. | 587 04 45 36..... | 1 | HOSE ³ / ₁₆ VAPOR 36" | 44.. | 819 07 08-18..... | 4 | WASHER #10 |
| 21.. | 575 43 65-01..... | 2 | CLAMP, HOSE | 45.. | 810 03 05-00..... | 2 | WASHER ⁵ / ₁₆ SLW |
| 22.. | 532 12 34-87..... | 4 | CLAMP, HOSE | NOT SHOWN | | | |
| 23.. | 539 10 52-45..... | 1 | GROMMET, RUBBER | 585 99 97-01..... | 1 | HARNESS, MAIN | |
| 24.. | 576 61 82-01..... | 1 | GROMMET, CHECK VALVE | | | | |

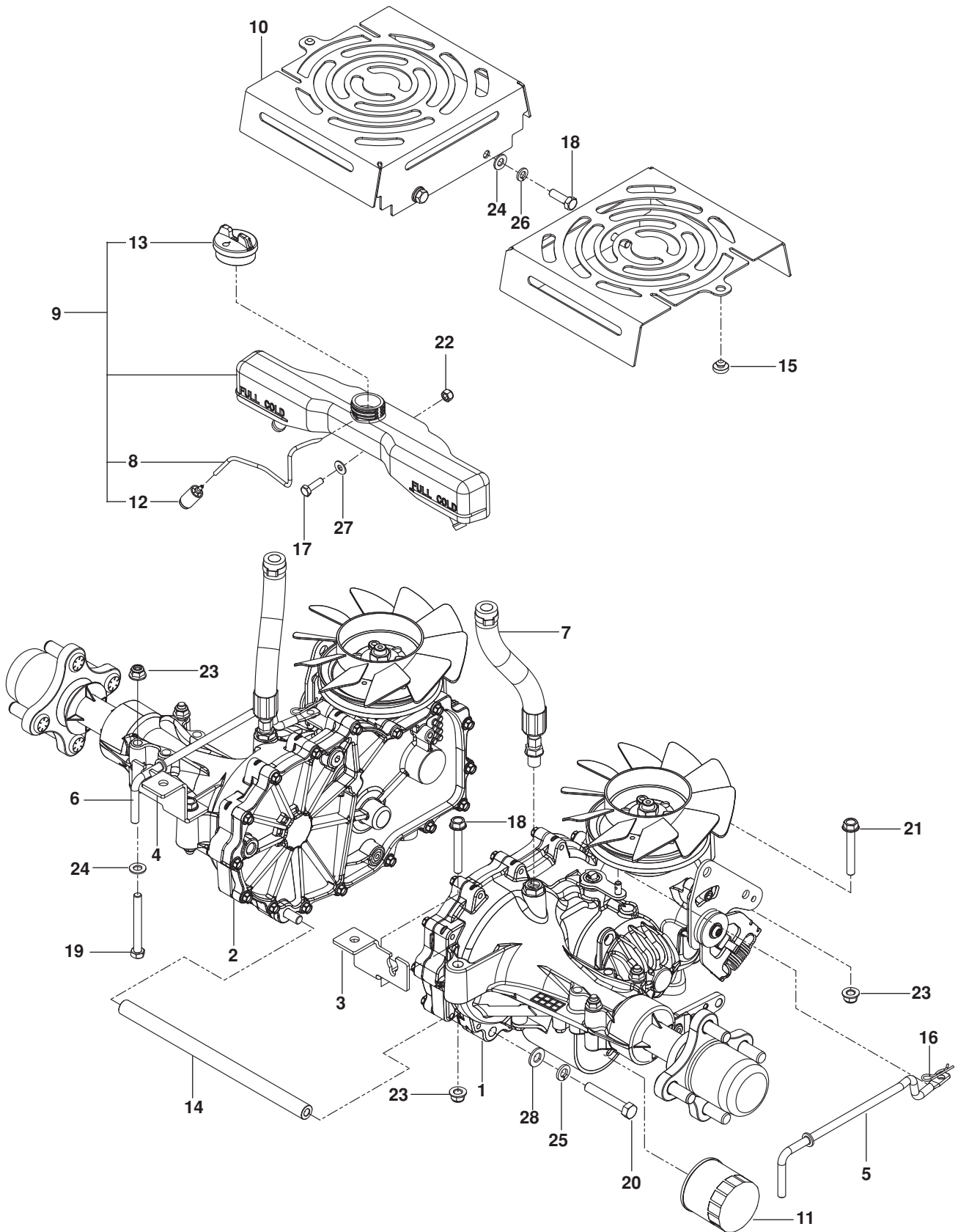
PARKING BRAKE



PARKING BRAKE

| ITEM | PART NO. | QTY. | DESCRIPTION | ITEM | PART NO. | QTY. | DESCRIPTION |
|------|-------------------|------|-----------------------------------|------|-------------------|------|---------------------------------|
| 1.. | 575 01 75-02..... | 1 | ARM, BRAKE | 20.. | 539 99 05-63..... | 2 | BOLT 3/8-16 x 1 HEX HD |
| 2.. | 539 12 09 21..... | 1 | GRIP, BRAKE HANDLE | 21.. | 539 99 02-09..... | 1 | BOLT 5/16-18 x 1 HEX HD |
| 3.. | 575 22 96-02..... | 1 | BRACKET, RT BLK | 22.. | 539 11 03-03..... | 2 | BOLT 5/16 SHOULDER |
| 4.. | 575 22 97-02..... | 1 | BRACKET, LT BLK | 23.. | 539 99 06-45..... | 2 | BOLT 3/8-16 x 1 RD HD SQNK |
| 5.. | 575 22 98-02..... | 2 | BRACKET, BRAKE | 24.. | 539 99 03-16..... | 1 | BOLT 5/16-18 x 3/4 RD HD SQNK |
| 6.. | 575 23 02-01..... | 2 | SPRING, RETURN | 25.. | 539 13 17-80..... | 1 | BOLT 5/16-18 x 3 3/4 HEX FLG HD |
| 7.. | 575 23 03-01..... | 2 | SPRING, ENGAGEMENT | 26.. | 874 49 05-12..... | 1 | BOLT 5/16-18 x 3/4 THD FRM |
| 8.. | 539 13 21-58..... | 1 | MOUNT, BRAKE | 27.. | 539 11 28-99..... | 2 | NUT 5/16-18 FLANGE NYLOC |
| 9.. | 539 13 21-54..... | 1 | ACTUATOR, SWITCH | 28.. | 539 99 05-85..... | 5 | NUT 5/16-18 HEX WHIZLK |
| 10.. | 539 13 21-53..... | 1 | BELLCRANK, BRAKE | 29.. | 539 99 07-17..... | 1 | NUT 5/16-18 HEX NYLOC |
| 11.. | 539 13 24-24..... | 1 | LINKAGE, BRAKE | 30.. | 521 99 65-01..... | 2 | NUT 3/8-16 HEX FLANGE NYL |
| 12.. | 539 13 24-23..... | 1 | LEVER, BRAKE | 31.. | 539 11 56-17..... | 2 | NUT 5/16 HEX NYLOC |
| 13.. | 539 13 21-61..... | 4 | BUSHING, BRAKE | 32.. | 539 20 02-82..... | 2 | NUT 3/8-16 HEX JAM NYLOC |
| 14.. | 539 10 47-63..... | 3 | RETAINER, U TYPE | 33.. | 539 97 69-78..... | 4 | NUT 1/4-20 HEX NYLOC |
| 15.. | 539 13 21-73..... | 1 | CABLE, BRAKE SHORT | 34.. | 539 10 78-97..... | 2 | NUT 5/16-18 HEX JAM |
| 16.. | 539 13 21-74..... | 2 | CABLE, BRAKE LONG | 35.. | 539 13 30-07..... | 1 | WASHER .825 WAVE |
| 17.. | 505 28 00-01..... | 2 | TIE w/ CLIP | 36.. | 539 99 00-55..... | 8 | WASHER 1/4 SAE FLT |
| 18.. | 539 99 06-43..... | 4 | BOLT 1/4-20 x 7/8 HEX HD | 37.. | 539 10 95-54..... | 2 | WASHER 1/2 FLT |
| 19.. | 539 10 83-96..... | 1 | BOLT 5/16-18 x 2 1/2 HEX HD TPBLT | 38.. | 539 99 01-22..... | 2 | WASHER 5/16 SAE FLT |

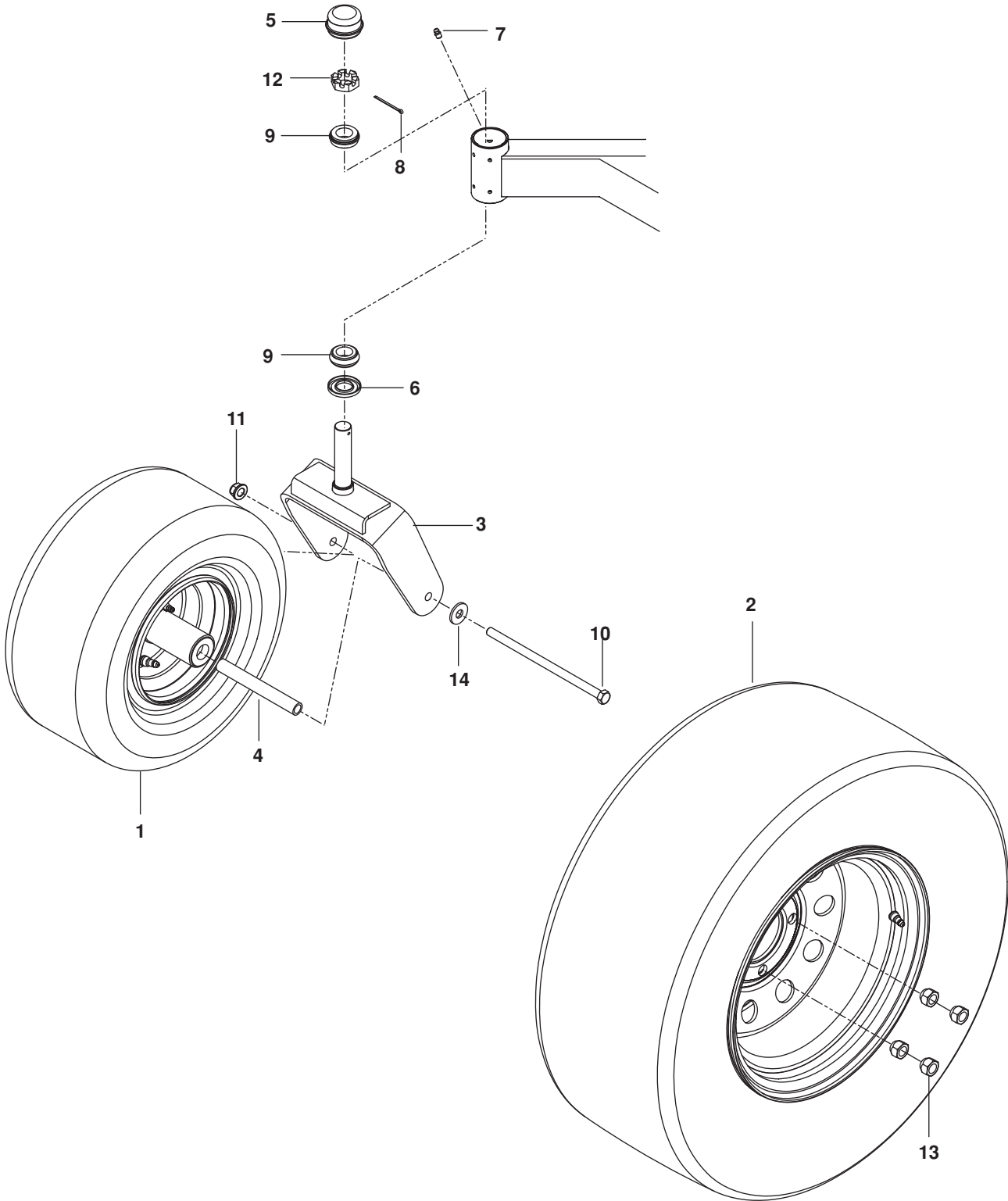
HYDRAULIC PUMP-MOTOR



HYDRAULIC PUMP-MOTOR

| ITEM | PART NO. | QTY. | DESCRIPTION | ITEM | PART NO. | QTY. | DESCRIPTION |
|------|-------------------|---------|---------------------|------|-------------------|---------|---------------------------------|
| 1.. | 577 22 77-02..... | 1 | TRANS, ZT-3100, LT | 15.. | 539 10 25-87..... | 2 | GROMMET, BUMPER |
| 2.. | 577 22 77-01..... | 1 | TRANS, ZT-3100, RT | 16.. | 539 97 69-88..... | 2 | HAIRPIN COTTER |
| 3.. | 575 01 71-02..... | 1 | BRACKET, TRANS, LT | 17.. | 539 99 06-43..... | 1 | BOLT 1/4-20 x 7/8 HEX HD |
| 4.. | 575 01 70-02..... | 1 | BRACKET, TRANS, RT | 18.. | 539 99 02-09..... | 4 | BOLT 5/16-18 x 1 HEX HD |
| 5.. | 539 13 16-16..... | 1 | LINKAGE, BYPASS LT | 19.. | 539 10 17-21..... | 4 | BOLT 5/16-18 x 2 3/4 HEX HD |
| 6.. | 539 13 16-18..... | 1 | LINKAGE, BYPASS RT | 20.. | 539 10 85-51..... | 2 | BOLT 3/8-16 x 2 1/2 HEX HD GR 8 |
| 7.. | 574 89 21-01..... | 2 | HOSE, EXPANSION | 21.. | 574 23 38-01..... | 4 | BOLT 5/16-18 x 2 1/4 HEX FLG HD |
| 8.. | 586 06 75-01..... | 1 | HOSE, FUEL | 22.. | 539 97 69-78..... | 1 | NUT 1/4-20 HEX NYLOC |
| 9.. | 585 31 82-01..... | 1 | TANK, EXPANSION | 23.. | 539 11 28-99..... | 8 | NUT 5/16-18 HEX FLG NYLOC |
| 10.. | 584 99 42-02..... | 2 | COVER, FAN | 24.. | 819 11 11-16..... | 8 | WASHER 5/16 SAE FLT |
| 11.. | 539 11 34-66..... | 2 | FILTER, HYDRO | 25.. | 539 99 01-18..... | 2 | WASHER 3/8 SPLT LK |
| 12.. | 530 09 56-46..... | 1 | FILTER | 26.. | 539 99 01-87..... | 4 | WASHER 5/16 SLW |
| 13.. | 586 07 27-01..... | 1 | CAP, TANK | 27.. | 539 99 00-55..... | 1 | WASHER 1/4 SAE FLT |
| 14.. | 574 86 85-01..... | 1 | TUBE 10 3/8" SPACER | 28.. | 539 99 01-22..... | 2 | WASHER 3/8 SAE FLT |

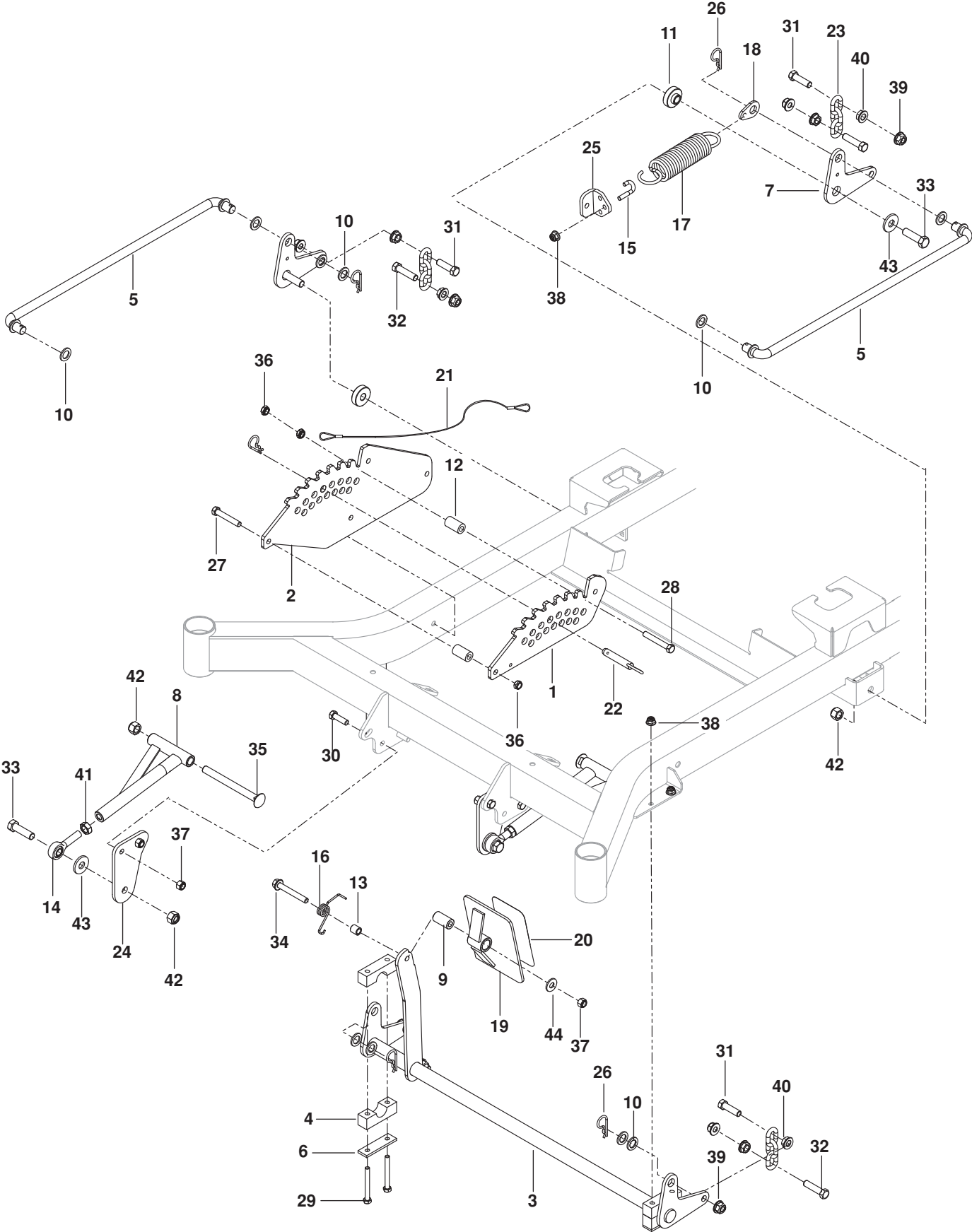
WHEELS AND TIRES



WHEELS AND TIRES

| ITEM | PART NO. | QTY. | DESCRIPTION | ITEM | PART NO. | QTY. | DESCRIPTION |
|------|-------------------|--------|--------------------------------|------|-------------------|--------|----------------------------|
| 1.. | 581 19 95-02..... | 2..... | TIRE ASSY, CASTER 13 x 6.5-6 | 8.. | 539 10 28-89..... | 2..... | COTTER PIN 1/8 x 2 |
| 2.. | 580 74 70-02..... | 2..... | TIRE ASSY, REAR YEL 22 x 10-10 | 9.. | 539 10 25-43..... | 4..... | BEARING |
| 3.. | 575 32 92-05..... | 2..... | YOKE, CASTER, YEL | 10.. | 539 10 55-17..... | 2..... | BOLT 1/2-13 x 9 1/2 HEX HD |
| 4.. | 575 33 49-01..... | 2..... | SPACER, PIVOT | 11.. | 521 99 11-01..... | 2..... | NUT 1/2-13 HEX FLANGE NYL |
| 5.. | 539 10 25-35..... | 2..... | CAP, GREASE | 12.. | 539 10 28-52..... | 2..... | NUT, SLOTTED JAM |
| 6.. | 539 10 28-51..... | 2..... | SEAL | 13.. | 539 10 11-73..... | 8..... | NUT 1/2 HEX LUG |
| 7.. | 539 10 14-74..... | 2..... | ZERK | 14.. | 539 10 95-54..... | 2..... | WASHER 1/2 FLAT |

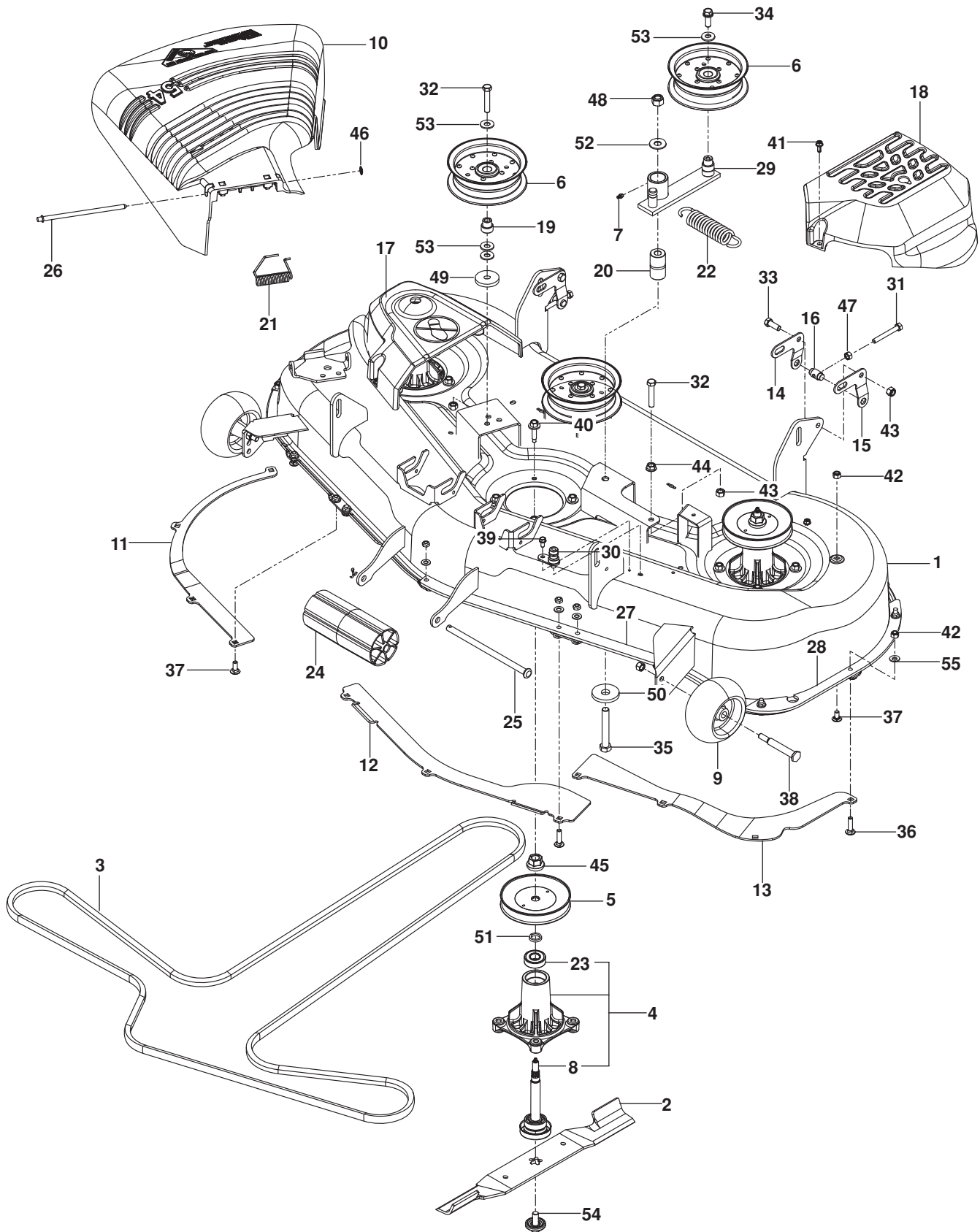
MOWER LIFT / DECK LIFT



MOWER LIFT / DECK LIFT

| ITEM | PART NO. | QTY. | DESCRIPTION | ITEM | PART NO. | QTY. | DESCRIPTION |
|------|-------------------|------|-----------------------|------|-------------------|------|--|
| 1.. | 521 96 81-01..... | 1 | PLATE, INSIDE HEIGHT | 23.. | 539 10 96-93..... | 4 | LIFT CHAIN, 3 LINK |
| 2.. | 521 96 80-01..... | 1 | PLATE, HEIGHT | 24.. | 539 13 20-17..... | 2 | MOUNT, STRUT |
| 3.. | 584 41 26-01..... | 1 | SHAFT, LIFT, DECK | 25.. | 539 13 17-91..... | 1 | MOUNT, SPRING |
| 4.. | 539 10 48-08..... | 4 | PILLOW BLOCK | 26.. | 539 11 55-01..... | 5 | COTTER PIN |
| 5.. | 539 11 08-08..... | 2 | LINK, DECK LIFT | 27.. | 539 99 06-29..... | 1 | BOLT $\frac{3}{8}$ -16 x 2 $\frac{1}{4}$ HEX HD |
| 6.. | 584 39 27-02..... | 2 | PLATE' REINFORCEMENT | 28.. | 539 99 06-37..... | 1 | BOLT $\frac{3}{8}$ -16 x 2 $\frac{1}{2}$ HEX HD |
| 7.. | 539 13 23-78..... | 2 | BELLCRANK, REAR, LIFT | 29.. | 539 10 17-21..... | 4 | BOLT $\frac{5}{16}$ -18 x 2 $\frac{3}{4}$ HEX HD |
| 8.. | 521 94 63-02..... | 2 | STRUT, DECK | 30.. | 539 99 05-63..... | 4 | BOLT $\frac{3}{8}$ -16 x 1 HEX HD |
| 9.. | 539 10 18-36..... | 1 | BUSHING, SLEEVE | 31.. | 539 10 11-75..... | 4 | BOLT $\frac{7}{16}$ -14 X 1 $\frac{1}{2}$ HEX HD |
| 10.. | 539 99 10-43..... | 10 | BUSHING, .625 | 32.. | 539 10 80-73..... | 4 | BOLT $\frac{7}{16}$ -14 X 1 $\frac{3}{4}$ HEX HD |
| 11.. | 586 70 17-01..... | 2 | SPACER, IDLER | 33.. | 539 10 81-81..... | 4 | BOLT $\frac{1}{2}$ -13 x 1 $\frac{3}{4}$ HEX HD GR 8 |
| 12.. | 539 10 45-30..... | 2 | SPACER | 34.. | 874 49 06-44..... | 1 | BOLT $\frac{3}{8}$ -16 x 2 $\frac{3}{4}$ HEX FLG HD |
| 13.. | 539 13 28-52..... | 1 | SPACER | 35.. | 539 12 47-45..... | 2 | BOLT $\frac{1}{2}$ -13 x 5 $\frac{1}{2}$ RD HD SQNK |
| 14.. | 539 11 72-44..... | 2 | ROD END | 36.. | 539 20 02-82..... | 3 | NUT $\frac{3}{8}$ -16 HEX JAM NYLOC |
| 15.. | 539 11 28-96..... | 1 | J-BOLT | 37.. | 539 97 69-79..... | 5 | NUT $\frac{3}{8}$ -16 HEX NYLOC |
| 16.. | 539 13 28-50..... | 1 | SPRING, TORSION | 38.. | 539 11 28-99..... | 6 | NUT $\frac{5}{16}$ -18 FLANGE NYLOC |
| 17.. | 539 10 26-42..... | 1 | SPRING, DECK LIFT | 39.. | 539 13 20-19..... | 8 | NUT $\frac{7}{16}$ -14 HEX WHIZ LK SM |
| 18.. | 539 13 17-92..... | 1 | TAB, SPRING | 40.. | 539 10 25-82..... | 8 | NUT $\frac{7}{16}$ -14 HEX WHIZ LK |
| 19.. | 539 11 42-80..... | 1 | PEDAL, FOOT, WELDMENT | 41.. | 539 10 87-36..... | 2 | NUT $\frac{1}{2}$ -20 HEX JAM |
| 20.. | 539 12 13-22..... | 1 | FOOT PAD | 42.. | 539 10 13-31..... | 6 | NUT $\frac{1}{2}$ HEX NYLOC |
| 21.. | 539 10 50-59..... | 1 | LANYARD | 43.. | 539 10 95-54..... | 4 | WASHER $\frac{1}{2}$ FLAT |
| 22.. | 539 10 25-26..... | 1 | PIN, LIFT | 44.. | 539 99 05-17..... | 1 | WASHER $\frac{3}{8}$ FLAT |

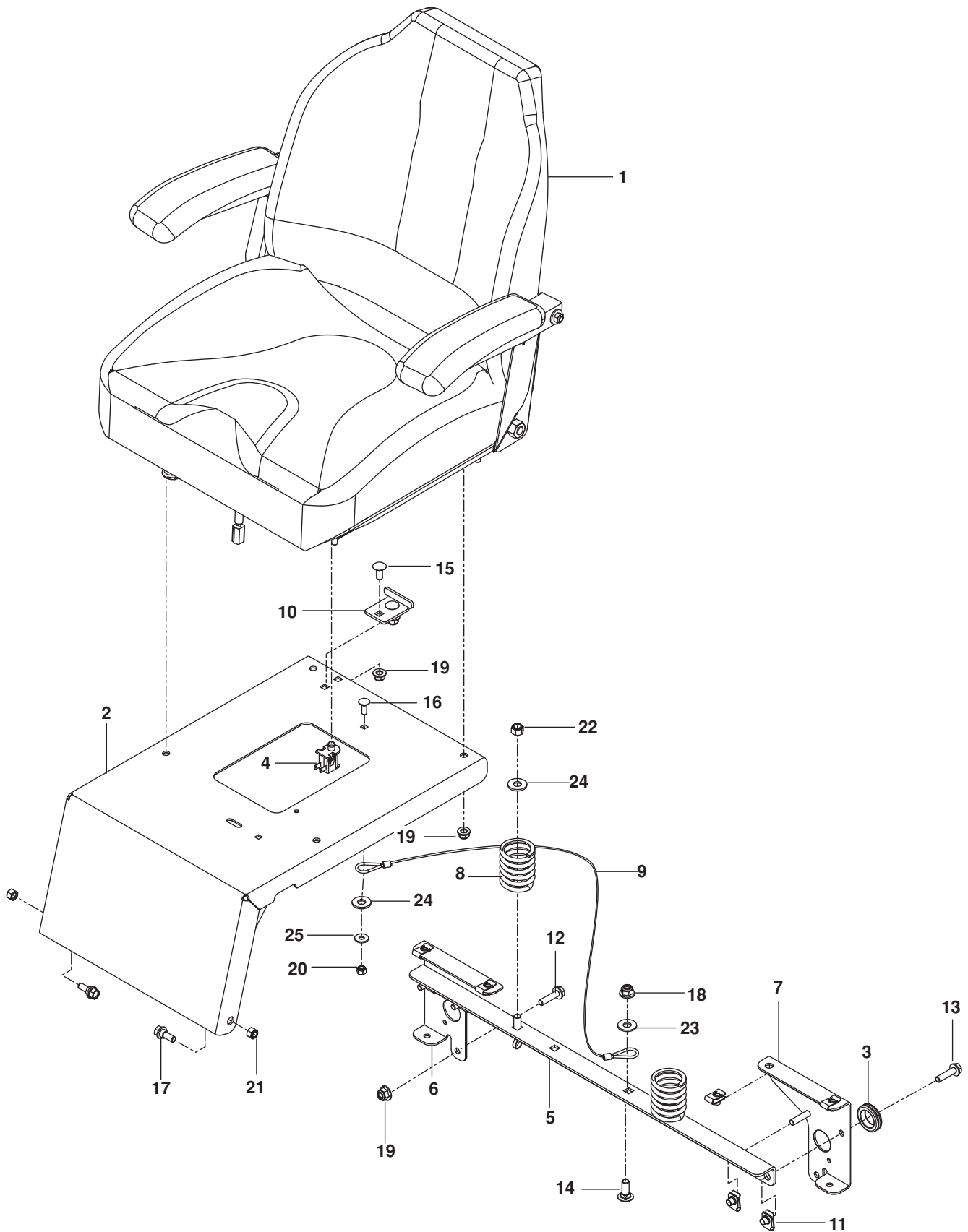
MOWING DECK / CUTTING DECK



MOWING DECK / CUTTING DECK

| ITEM | PART NO. | QTY. | DESCRIPTION | ITEM | PART NO. | QTY. | DESCRIPTION |
|------|-------------------|------|-------------------------|------|-------------------|------|---|
| 1.. | 522 74 44-03..... | 1 | DECK w/ SFTY DECALS YEL | 29.. | 539 11 21-98..... | 1 | ARM, IDLER |
| 2.. | 532 18 72-56..... | 3 | BLADE | 30.. | 532 41 55-98..... | 1 | PORT, WASHOUT |
| 3.. | 577 50 36-01..... | 1 | BELT | 31.. | 586 89 25-01..... | 2 | BOLT $\frac{5}{16}$ -18 x 3 HEX HD |
| 4.. | 532 18 72-92..... | 3 | MANDREL ASSY | 32.. | 874 78 06-32..... | 3 | BOLT $\frac{3}{8}$ -16 x 2 HEX HD |
| 5.. | 532 17 34-36..... | 3 | PULLEY | 33.. | 539 99 05-63..... | 2 | BOLT $\frac{3}{8}$ -16 x 1 HEX HD |
| 6.. | 539 13 27-28..... | 3 | PULLEY, IDLER | 34.. | 539 99 05-82..... | 1 | BOLT $\frac{3}{8}$ -16 x 1 HX HD WHIZLK |
| 7.. | 539 97 69-98..... | 1 | ZERK | 35.. | 539 10 34-33..... | 1 | BOLT $\frac{1}{2}$ -13 x $\frac{3}{4}$ HEX HD |
| 8.. | 539 11 20-56..... | 1 | SHAFT, MANDREL | 36.. | 872 11 05-10..... | 7 | BOLT $\frac{5}{16}$ -18 x $1\frac{1}{4}$ RD HD SQNK |
| 9.. | 532 13 39-57..... | 2 | WHEEL | 37.. | 872 14 05-06..... | 6 | BOLT $\frac{5}{16}$ -18 x $\frac{5}{8}$ RD HD SQNK |
| 10.. | 532 18 72-57..... | 1 | DEFLECTOR | 38.. | 532 19 34-06..... | 2 | BOLT, SHLDR $\frac{3}{8}$ -16 x $3\frac{5}{8}$ |
| 11.. | 532 18 73-42..... | 1 | BAFFLE RT | 39.. | 539 10 84-61..... | 1 | BOLT $\frac{1}{4}$ -20 x $\frac{1}{2}$ HWST |
| 12.. | 532 18 76-07..... | 1 | BAFFLE, CNTR | 40.. | 584 95 39-01..... | 12 | BOLT $\frac{5}{16}$ -18 WSHR HD |
| 13.. | 532 18 73-44..... | 1 | BAFFLE, LT | 41.. | 539 10 76-31..... | 4 | SCREW $\frac{1}{4}$ -20 x $\frac{5}{16}$ THDROLL |
| 14.. | 584 85 94-02..... | 2 | BRACKET, ADJUST RT | 42.. | 873 68 05-00..... | 12 | NUT $\frac{5}{16}$ -18 CROWN LK |
| 15.. | 584 85 94-04..... | 2 | BRACKET, ADJUST LT | 43.. | 539 97 69-79..... | 7 | NUT $\frac{3}{8}$ -16 HEX NYLOC |
| 16.. | 539 13 18-59..... | 2 | TRUNNION, PITCH | 44.. | 539 99 06-13..... | 1 | NUT $\frac{3}{8}$ -16 HEX WHIZLK |
| 17.. | 532 18 81-87..... | 1 | COVER, MANDREL RT | 45.. | 532 40 02-34..... | 3 | NUT $\frac{9}{16}$ TOP CENTER LOCK |
| 18.. | 532 18 72-97..... | 1 | COVER, MANDREL LT | 46.. | 539 10 76-26..... | 1 | PUSHNUT |
| 19.. | 539 11 20-76..... | 2 | BUSHING, IDLER | 47.. | 539 99 01-96..... | 2 | NUT $\frac{5}{16}$ -18 HEX |
| 20.. | 539 10 34-27..... | 1 | BUSHING, PIVOT | 48.. | 539 10 13-31..... | 1 | NUT $\frac{1}{2}$ HEX NYLOC |
| 21.. | 532 17 81-02..... | 1 | SPRING, TORSION | 49.. | 539 10 65-04..... | 2 | WASHER, HEAVY |
| 22.. | 539 10 32-56..... | 1 | SPRING | 50.. | 539 10 22-43..... | 1 | WASHER, SUPPORT |
| 23.. | 539 11 20-50..... | 1 | BEARING, BALL | 51.. | 532 18 76-90..... | 3 | WASHER, SPACER |
| 24.. | 532 17 60-66..... | 1 | ROLLER, NOSE | 52.. | 539 99 05-50..... | 1 | WASHER $\frac{1}{2}$ STD FLT |
| 25.. | 532 17 91-27..... | 1 | ROD, ROLLER | 53.. | 539 99 05-17..... | 7 | WASHER $\frac{3}{8}$ FLAT STD |
| 26.. | 532 13 14-91..... | 1 | ROD, HINGE | 54.. | 532 19 30-03..... | 3 | WASHER/BOLT ASSY |
| 27.. | 585 32 26-05..... | 1 | PLATE, FRT | 55.. | 819 11 11-16..... | 12 | WASHER $\frac{5}{16}$ SAE FLT |
| 28.. | 585 32 28-05..... | 1 | PLATE, SIDE | | | | |

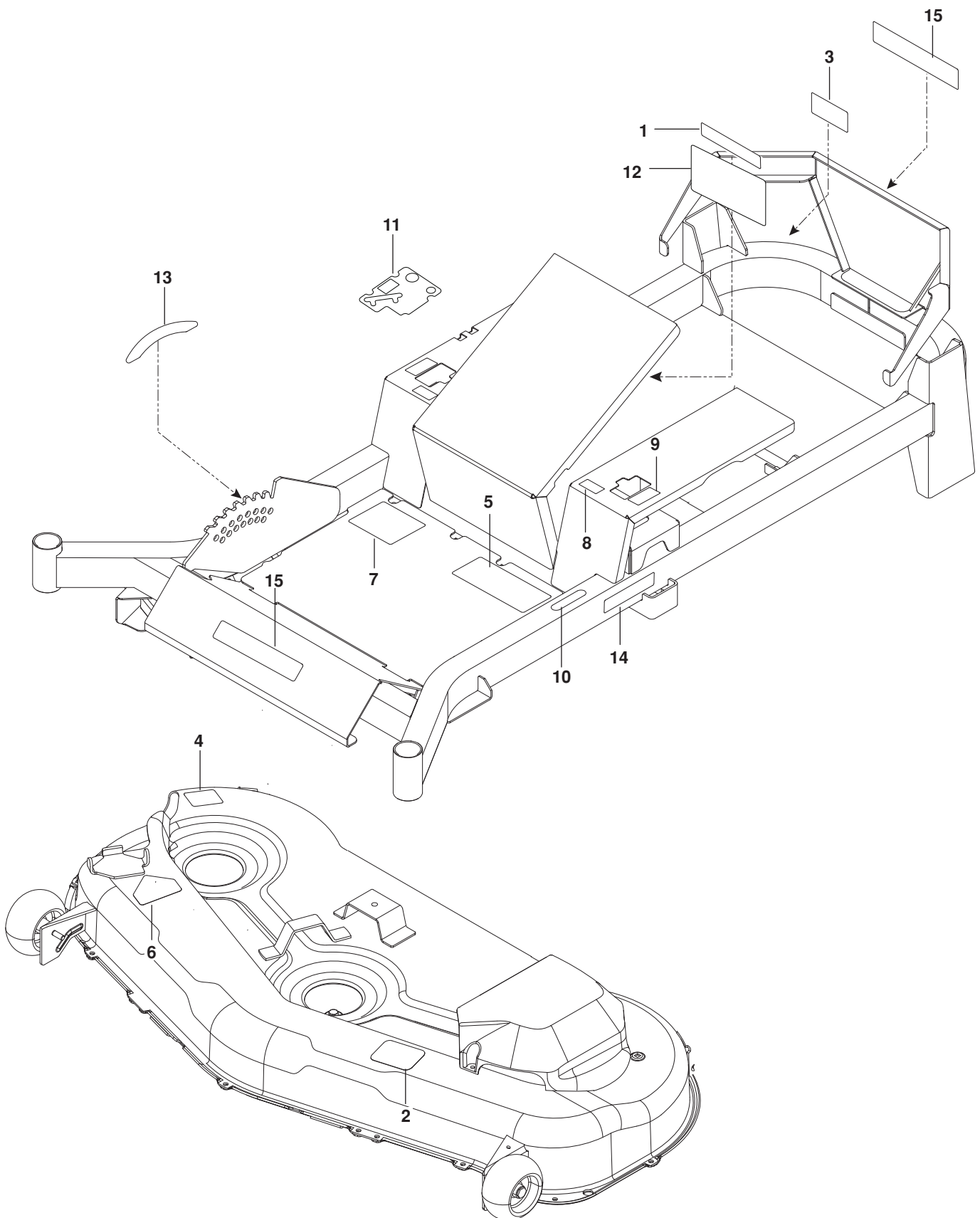
SEAT



SEAT

| ITEM | PART NO. | QTY. | DESCRIPTION | ITEM | PART NO. | QTY. | DESCRIPTION |
|------|-------------------|---------|--|------|--------------------|---------|---|
| 1.. | 586 18 84-01..... | 1 | SEAT | 14.. | 872 14 06-08..... | 3 | BOLT $\frac{3}{8}$ -16 x 1 RD HD SQNK |
| 2.. | 539 13 28 39..... | 1 | MOUNT, SEAT w/ SAFTY DECAL | 15.. | 872 05 05-06..... | 2 | BOLT $\frac{5}{16}$ -18 x 1 RD HD SQNK |
| 3.. | 539 10 59-74..... | 1 | GROMMET RUBBER | 16.. | 872 11-04-06 | 1 | BOLT $\frac{1}{4}$ -20 x $\frac{3}{4}$ RD HD SQNK |
| 4.. | 539 119741..... | 1 | SWITCH, SEAT | 17.. | 539 13 08-96..... | 2 | BOLT $\frac{5}{16}$ -18 HEX SHOULDER |
| 5.. | 584 80 91-02..... | 1 | SUPPORT, SEAT | 18.. | 521 99 65-01..... | 1 | NUT $\frac{3}{8}$ -16 FLG HEX NYLOC |
| 6.. | 584 99 01-02..... | 1 | SUPPORT, RT BLK | 19.. | 539 11 28-99..... | 8 | NUT $\frac{5}{16}$ -18 HEX FLG NYLOC |
| 7.. | 584 99 02-02..... | 1 | SUPPORT, LT BLK | 20.. | 873 80 04-00..... | 1 | NUT $\frac{1}{4}$ -20 HEX NYLOC |
| 8.. | 532 12 41-81..... | 2 | SPRING, SEAT | 21.. | 873 80 05-00..... | 2 | NUT $\frac{5}{16}$ -18 HEX NYLOC |
| 9.. | 539 10 32-47..... | 1 | LANYARD, SEAT | 22.. | 539 97 69-79..... | 2 | NUT $\frac{3}{8}$ -16 HEX NYLOC |
| 10.. | 539 13 07-93..... | 1 | SEAT STOP | 23.. | 539 99 05-17..... | 4 | WASHER $\frac{3}{8}$ FLT STD |
| 11.. | 539 10 47-63..... | 8 | RETAINER, U TYPE | 24.. | 819 14 16-14..... | 3 | WASHER $\frac{3}{8}$ FLT STD |
| 12.. | 874 49 05-12..... | 2 | BOLT $\frac{5}{16}$ -18 x 1 HX THD FRM | 25.. | 819 09 12-16..... | 1 | WASHER $\frac{1}{4}$ FLT |
| 13.. | 525 54 40-01..... | 4 | BOLT $\frac{5}{16}$ -18 x $\frac{1}{4}$ HEX FLG HD | | | | |

DECALS



DECALS

| ITEM | PART NO. | QTY. | DESCRIPTION | ITEM | PART NO. | QTY. | DESCRIPTION |
|------|-------------------|---------|------------------------|------|-------------------|---------|-------------------|
| 1.. | 539 10 57-45..... | 1 | DECAL, BATTERY WARNING | 10.. | 587 60 91-01..... | 1 | DECAL, PARK BRAKE |
| 2.. | 539 11 26-20..... | 1 | DECAL, BELT ROUTING | 11.. | 587 60 92-01..... | 1 | DECAL, CONSOLE |
| 3.. | 539 10 57-44..... | 1 | DECAL, DANGER BELT | 12.. | 539 13 21-87..... | 1 | DECAL, SERVICE |
| 4.. | 581 72 44-01..... | 1 | DECAL, BLADE WARNING | 13.. | 587 60 93-01..... | 1 | DECAL, HEIGHT |
| 5.. | 583 93 40-01..... | 1 | DECAL, WARNING GRAPHIC | 14.. | 587 72 01-01..... | 1 | DECAL, P54ZXT |
| 6.. | 584 90 46-01..... | 1 | DECAL, DEFLECTOR | 15.. | 587 60 95-01..... | 2 | DECAL, POULAN PRO |
| 7.. | 587 49 41-01..... | 1 | DECAL, START | | | | NOT SHOWN |
| 8.. | 587 60 89-01..... | 1 | DECAL, TRACKING | | 539 12 13-22..... | 1 | PAD, FOOT |
| 9.. | 587 60 90-01..... | 1 | DECAL, CONTROLS | | | | |

PoulanPRO

poulanpro.com

115 72 31-27 Rev A

2014-10-01