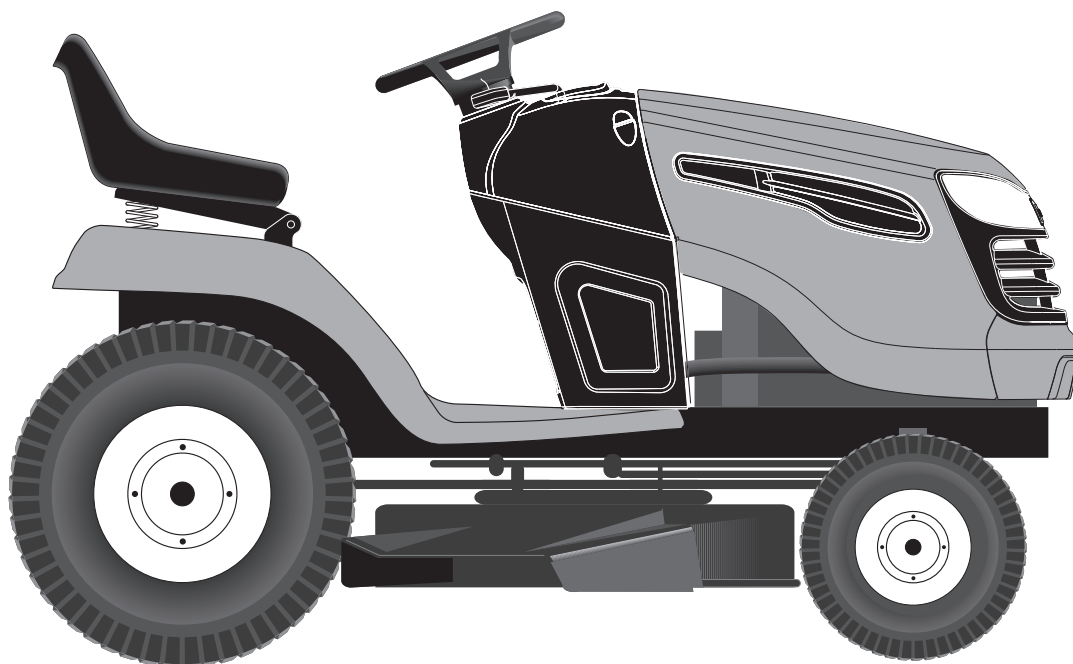


**IMPORTANT MANUAL**

**DO NOT THROW AWAY**

# **Poulan PRO**



**REPAIR PARTS MANUAL**

**MODEL:**

**PP19H46**

**LAWN TRACTOR**

**ALWAYS WEAR EYE PROTECTION DURING OPERATION**

Visit our website: [www.poulanpro.com](http://www.poulanpro.com)



**WARNING:**

Read this Manual and follow all Warnings and Safety Instructions. Failure to do so can result in serious injury.

115 78 26-27

09.21.15 TH  
Printed in the U.S.A.

# HOW TO USE THIS MANUAL

This manual is designed to provide the customer with a means to identify the parts on his/her tractor when ordering repair parts. The illustrations may or may not represent the actual assemblies; therefore, it is not recommended to use this manual as a guide to assemble or disassemble the tractor. Some hardware and parts are drawn larger in order to more readily identify them.

Each tractor has its own model number.

The model number for your tractor can be found on the fender under the seat.

When ordering parts, always give the following information:

- Product - "TRACTOR"
- MODEL NUMBER - "PP19H46 (96042019000)"
- Part Number
- Part Description

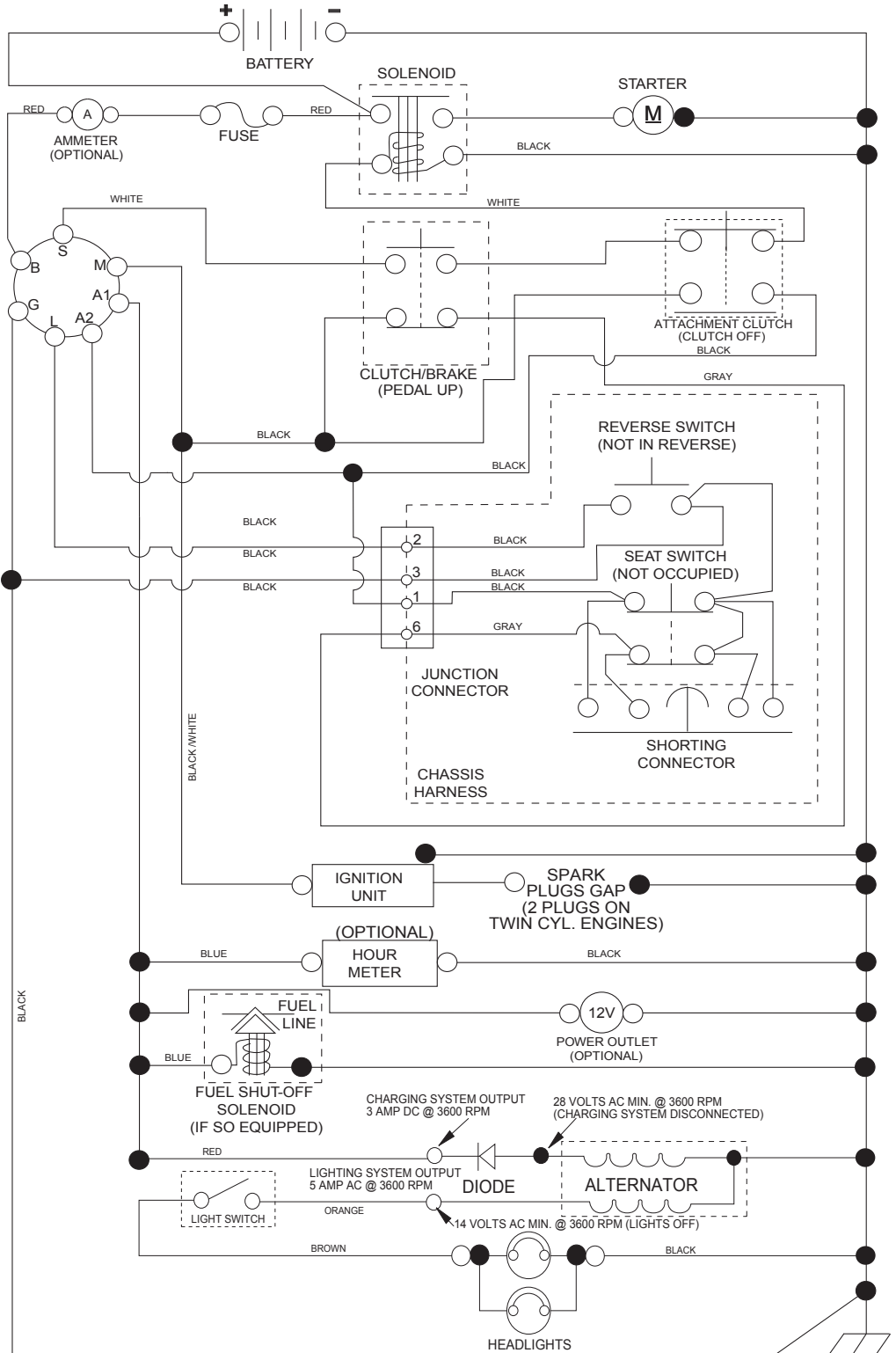
## TABLE OF CONTENTS

SCHEMATIC .....	3
ELECTRICAL.....	4-5
CHASSIS.....	6-7
DRIVE.....	8-9
ENGINE.....	10-11
STEERING .....	12-13
MOWER DECK .....	14-15
MOWER LIFT.....	16
SEAT .....	17
DECALS.....	18
PARTS AND SERVICE.....	20

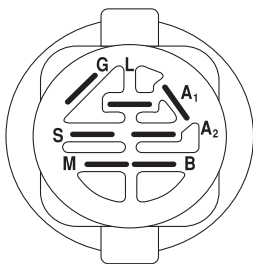
# TRACTOR - MODEL NO. PP19H46 (96042019000), PRODUCT NO. 960 42 01-90

## SCHEMATIC

SCH11

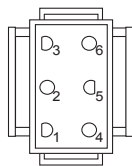


**NOTE**  
YOUR TRACTOR IS EQUIPPED WITH A SPECIAL ALTERNATOR SYSTEM. THE LIGHTS ARE NOT CONNECTED TO THE BATTERY, BUT HAVE THEIR OWN ELECTRICAL SOURCE. BECAUSE OF THIS, THE BRIGHTNESS OF THE LIGHTS WILL CHANGE WITH ENGINE SPEED. AT IDLE THE LIGHTS WILL DIM. AS THE ENGINE IS SPEEDED UP, THE LIGHTS WILL BECOME THEIR BRIGHTEST.

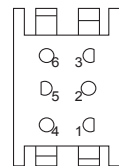


IGNITION SWITCH

POSITION	CIRCUIT "MAKE"
OFF	M+G+A1
RUN/OVERRIDE	B+A1
RUN	B+A1 L+A2
START	B + S + A1



CHASSIS HARNESS CONNECTOR (MATING SIDE)



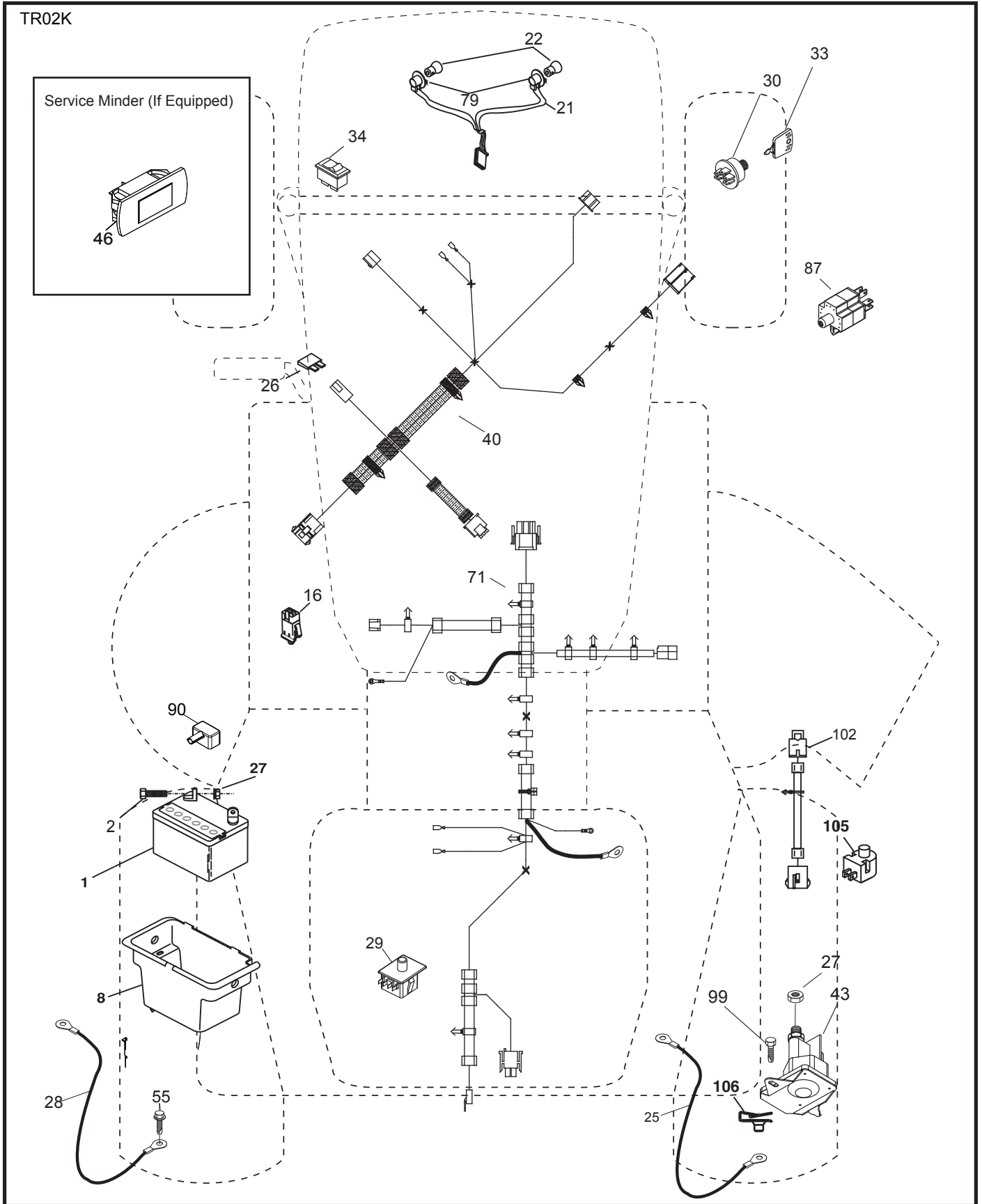
DASH HARNESS CONNECTOR (MATING SIDE)

WIRING INSULATED CLIPS  
NOTE: IF WIRING INSULATED CLIPS WERE REMOVED FOR SERVICING OF UNIT, THEY SHOULD BE RE-INSTALLED TO PROPERLY SECURE YOUR WIRING.

NON-REMOVABLE CONNECTIONS

REMOVABLE CONNECTIONS

**TRACTOR - MODEL NO. PP19H46 (96042019000), PRODUCT NO. 960 42 01-90**  
**ELECTRICAL**

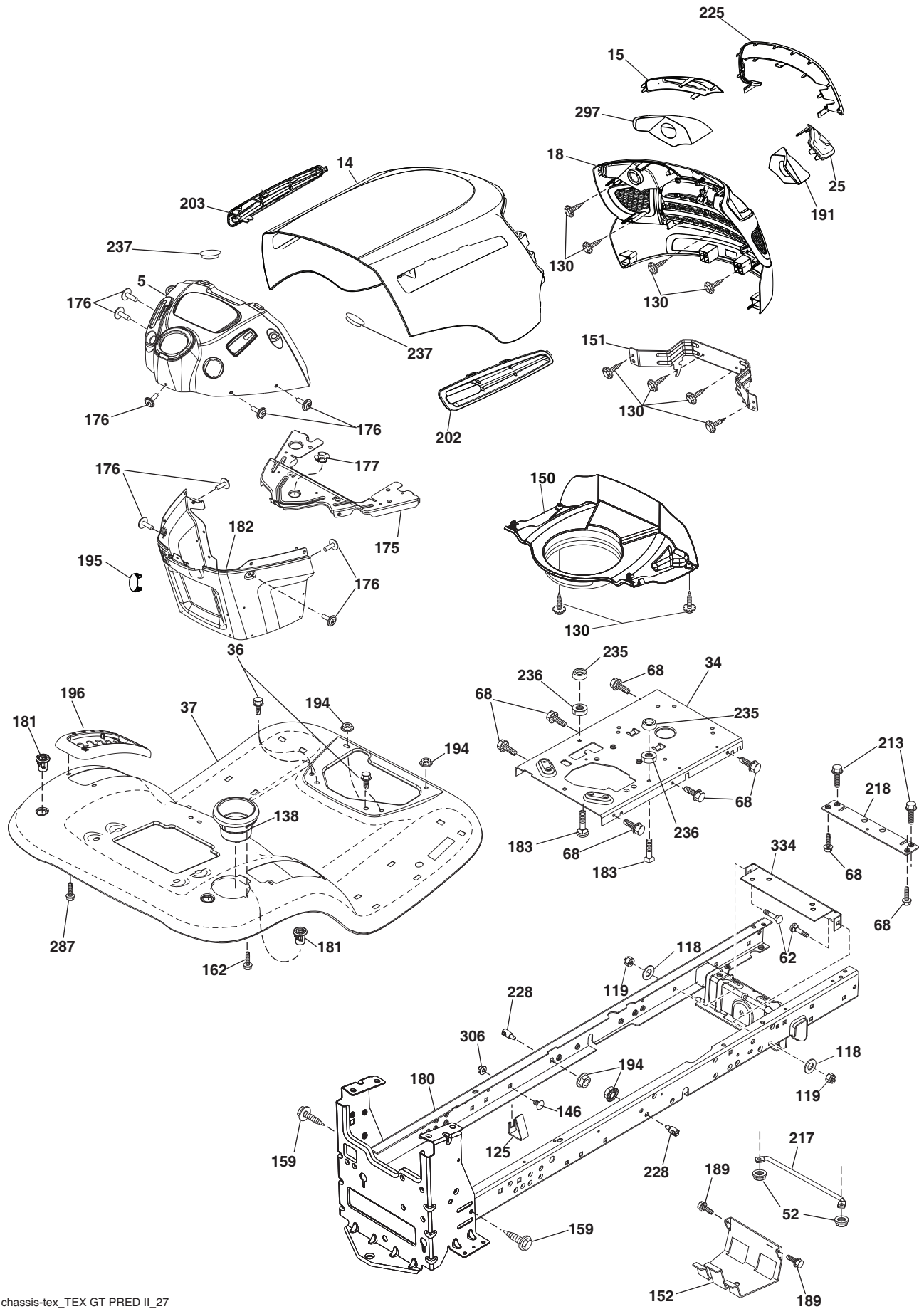


**TRACTOR - MODEL NO. PP19H46 (96042019000), PRODUCT NO. 960 42 01-90  
ELECTRICAL**

<b>KEY NO.</b>	<b>PART NO.</b>	<b>DESCRIPTION</b>
1	532 16 34-65	Battery
2	874 76 04-12	Bolt Hex Hd 1/4-20 unc x 3/4
8	532 19 32-28	Box Battery
16	532 17 61-38	Switch Interlock
21	532 40 02-52	Harness Socket Light
22	532 00 41-52	Bulb, Light #1156
25	581 49 80-01	Cable Starter 6 Ga. BL/Red 14.5
26	532 17 51-58	Fuse
27	873 51 04-00	Nut Keps Hex 1/4-20 unc
28	532 42 16-86	Cable Ground 18" Rear Battery Blk 6 Ga.
29	532 19 27-49	Switch Seat
30	532 19 33-50	Switch Ign
33	532 41 19-33	Key/Chain
34	532 11 07-12	Switch Light/Reset
40	585 84 94-01	Harness Ign
43	532 19 25-07	Solenoid
55	817 06 05-12	Screw 5/16-18 x 3/4
71	585 84 93-01	Harness Ign. Chass.
79	532 17 52-42	Socket Asm. Bulb
87	532 19 78-02	Switch Interlock Clutch
90	532 43 53-95	Cover Terminal
99	817 67 04-12	Screw
102	532 40 44-54	Pigtail
105	532 40 75-68	Switch Reverse
106	532 17 48-14	Pal nut

**NOTE:** All component dimensions given in U.S. inches  
1 inch = 25.4 mm

# TRACTOR - MODEL NO. PP19H46 (96042019000), PRODUCT NO. 960 42 01-90 CHASSIS

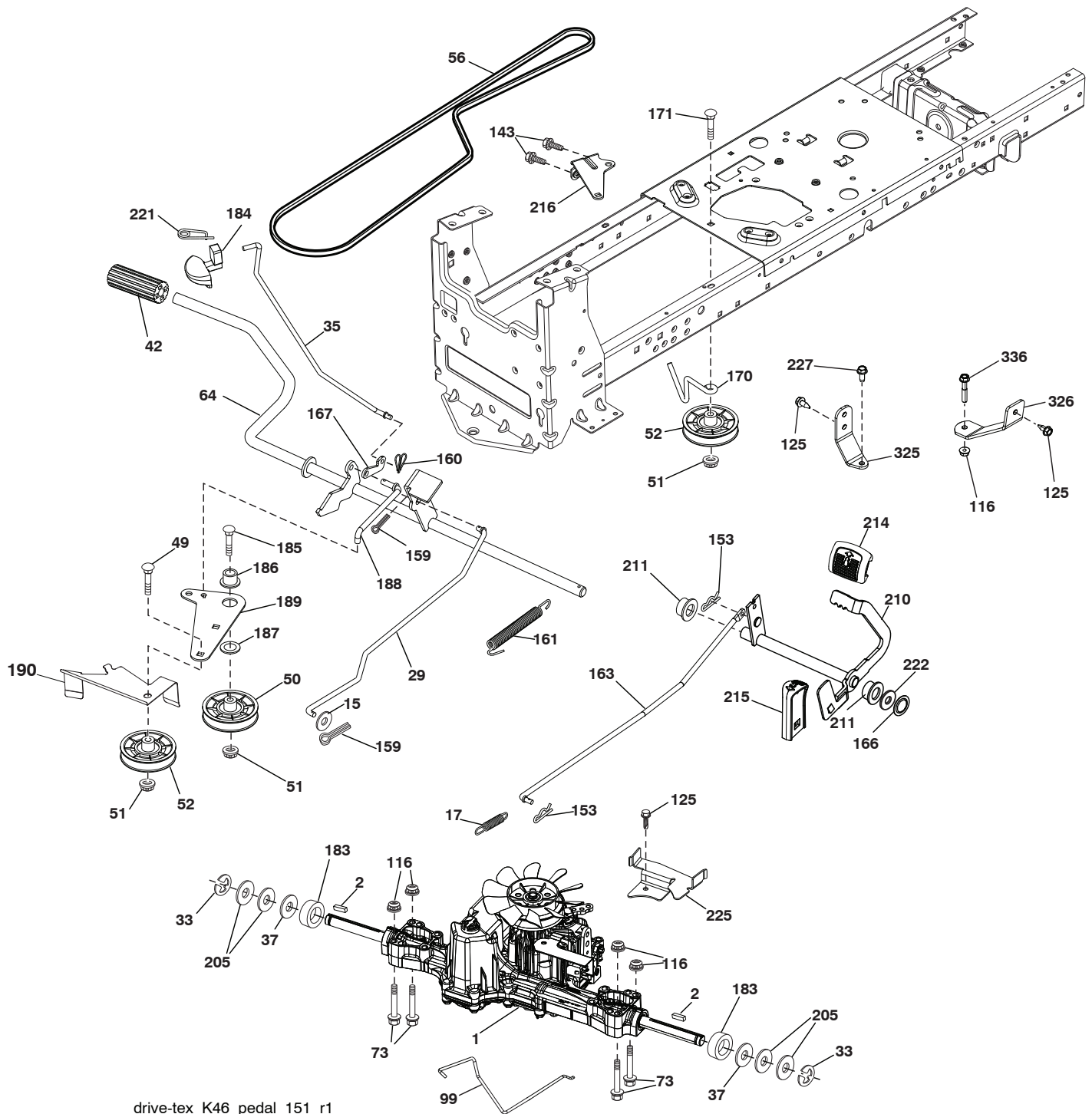


**TRACTOR - MODEL NO. PP19H46 (96042019000), PRODUCT NO. 960 42 01-90  
CHASSIS**

<b>KEY NO.</b>	<b>PART NO.</b>	<b>DESCRIPTION</b>
5	587 82 54-01	Dash
14	532 44 80-42	Hood
15	581 10 31-01	Lens McC LH
18	581 10 29-02	Grille
25	581 10 30-01	Lens McC RH
34	580 91 08-01	Plate Engine
36	817 06 05-12	Screw 5/16-18 x 3/4
37	532 42 07-96	Fender
52	873 68 05-00	Nut lock 5/16-18
62	872 11 06-08	Bolt RDHD SQNK 3/8-16 x 1 Gr. 5
68	817 49 05-08	Screw Thdrol. 5/16-18 x 1/2
118	819 13 13-16	Washer 13/32 x 13/16 x 16 Ga
119	873 68 06-00	Nut Crownlock 3/8-16 unc
125	581 68 48-01	Clip Fuel Line
130	532 41 63-58	Screw #10 x 0.750
138	532 40 97-30	Cupholder
146	581 85 79-01	Bolt RDH 3/8-16 x 5/8
150	584 86 29-01	Duct Heat Hood
151	532 44 54-94	Bracket Pivot
152	532 19 95-35	Shield Browning
159	817 00 06-12	Screw Hex Wsh. Thdrol. 3/8-16 x 3/4
162	532 14 24-32	Screw Hex Wsh. Hi-Lo 1/4 x 1/2
175	532 19 63-04	Crossmember
176	532 40 07-76	Screw 10-24 x 5/8 Wshd. Qdrx.
177	532 19 52-28	Bushing Steering
180	532 19 54-57	Chassis
181	532 40 47-96	Bushing Mtg. Fender Crgo.
182	586 73 86-02	Dash Lower
183	874 52 05-20	Bolt 5/16-18 x 1-1/4
189	817 00 05-12	Screw 5/16-18 x 3/4
191	581 22 35-01	Reflector McC RH
194	873 90 05-00	Nut Lock Hex Flange 5/16-18
195	532 40 41-37	Plug Hole Dash
196	532 41 45-81	Console Asm. Deck Lift
202	581 85 91-01	Vent Hood RH
203	581 85 92-01	Vent Hood LH
213	874 76 05-12	Bolt Hex Hd. 5/16-18 unc x 3/4
217	532 40 91-67	Rod Pivot Chassis
218	532 19 63-95	X-Piece Hood Stop
225	581 10 32-01	Trim Ring McC
228	532 19 51-61	Stud Fastener
235	532 40 61-29	Spacer Fender
236	873 93 05-00	Nut center Lock 5/16-18
237	532 40 37-04	Plug Mount Cargo
287	817 60 04-06	Screw 1/4-20 x 3/8
297	581 22 36-01	Reflector McC LH
306	873 90 06-00	Nut lock 3/8-16 unc
334	532 44 25-37	Bracket Engine
- -	532 44 11-26	Plug Dash SRVMNDR

**NOTE:** All component dimensions given in U.S. inches  
1 inch = 25.4 mm

TRACTOR - MODEL NO. PP19H46 (96042019000), PRODUCT NO. 960 42 01-90  
DRIVE



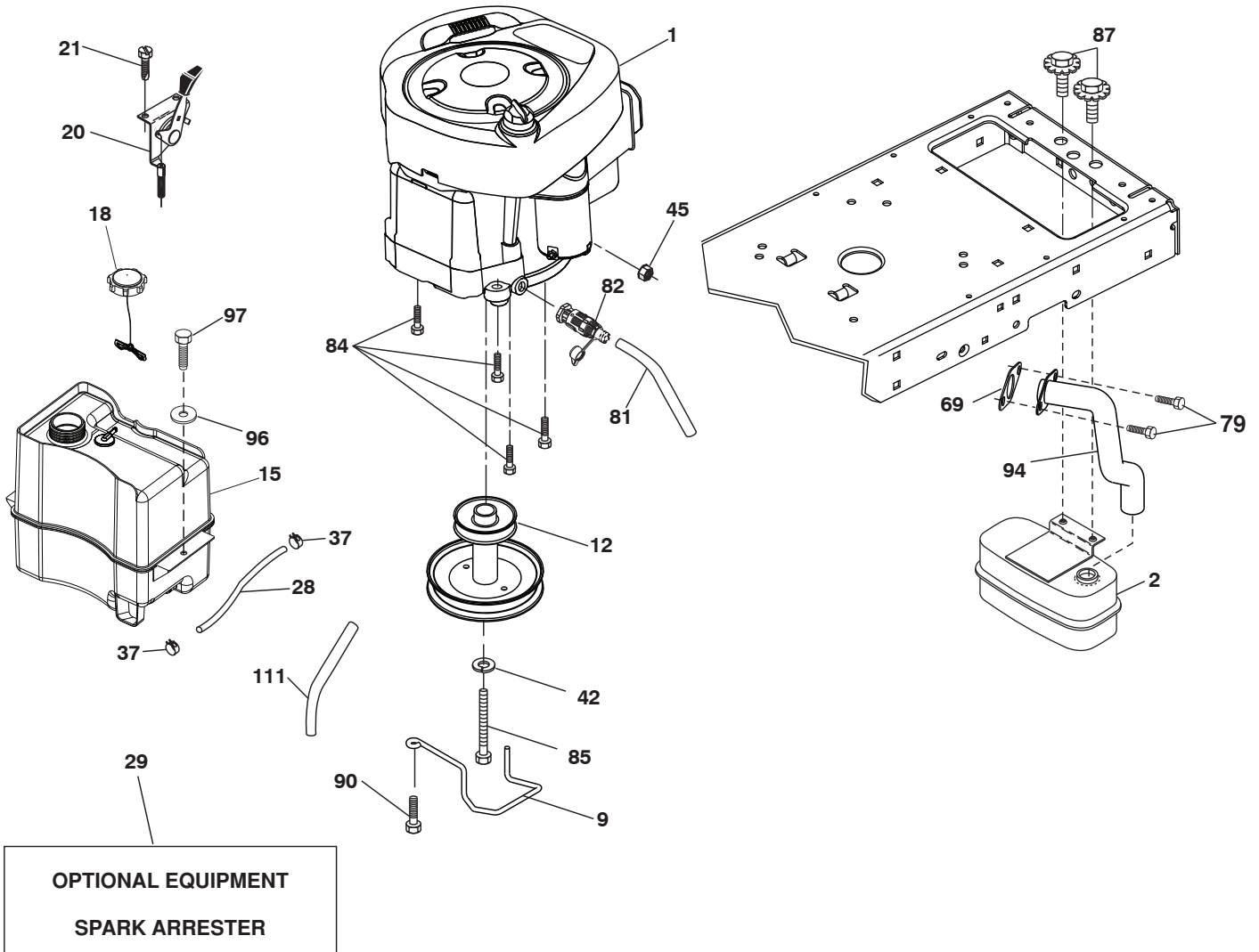


**TRACTOR - MODEL NO. PP19H46 (96042019000), PRODUCT NO. 960 42 01-90  
DRIVE**

<b>KEY NO.</b>	<b>PART NO.</b>	<b>DESCRIPTION</b>	<b>KEY NO.</b>	<b>PART NO.</b>	<b>DESCRIPTION</b>
1	- - - - -	Transaxle, TUFFTORQ K46 BT (426120) (Order parts from trans-axle manufacturer.)	184	587 65 37-01	Handle Parking Brake
2	532 12 35-83	Key	185	872 11 06-22	Bolt Rdhd. Sqnk. 3/8-16 x 2-3/4 Gr. 5
15	819 13 13-16	Washer 13/32 x 13/16 x 16 Ga.	186	532 19 43-21	Spacer Retainer
17	532 41 36-78	Spring Brake	187	819 13 32-10	Washer
29	532 40 38-06	Rod, Brake	188	532 19 43-23	Link Clutch Ground Drive
33	812 00 00-01	Ring E	189	532 19 43-17	Bellcrank Ground Drive
35	583 86 45-01	Rod Brake Park	190	532 19 43-18	Keeper Bellcrank Ground Drive
37	532 18 89-67	Washer Hardened	205	532 12 17-48	Washer
42	532 12 48-72	Cover Foot Pedal	210	532 40 09-80	Rocker Asm Pedel Control
49	872 11 06-14	Bolt	211	532 12 01-83	Bearing Nylon
50	532 19 43-27	Pulley Idler Flat	214	532 42 12-63	Pedal Forward Pad
51	873 90 06-00	Lock Nut 3/8-16	215	532 40 17-23	Pedal Reverse
52	532 19 43-26	Idler V-Groove	216	532 19 61-31	Bracket Pulley Idler
56	532 13 09-69	V-Belt Drive	221	532 40 31-87	Retainer Spring Clip Handle
64	532 19 78-65	Shaft Asm. Pedal Brake Control	222	879 21 20-10	Washer 21/32 x 1-1/4 10 Ga.
73	874 49 05-40	Bolt 5/16-18 x 2-1/2 Gr. 5	225	532 40 33-19	Keeper Belt Trans.
99	532 41 57-42	Rod Asm. Bypass	227	817 49 05-12	Screw 5/16-18 x 3/4
116	873 90 05-00	Nut Lock Hex Flange 5/16-18	325	585 66 85-02	Torque Strap K46 LT RH
125	817 00 05-12	Screw 5/16-18 x 3/4	326	585 67 08-02	Bracket TRQ STP 46 20" Tire RH
143	817 49 05-08	Screw 5/16-18 x 1/2	336	587 25 96-01	Bolt 5/16 - 18 x 1-3/4 Flanged
153	532 12 47-88	Retainer Spring			
159	876 02 04-12	Pin Cotter 1/8 x 3/4			
160	532 16 94-84	Retainer Clip			
161	532 10 57-09	Spring Return Clutch			
163	532 44 82-75	Rod Control Pedal			
166	532 42 91-64	Nut Push			
167	532 40 52-57	Latch Brake Parking			
170	532 19 43-22	Keeper Belt Centerspan			
171	872 11 06-16	Bolt Rdhd. Sqnk. 3/8-16 unc x 2			
183	532 13 70-57	Spacer Split			

**NOTE:** All component dimensions given in U.S. inches  
1 inch = 25.4 mm

**TRACTOR - MODEL NO. PP19H46 (96042019000), PRODUCT NO. 960 42 01-90  
ENGINE**



engine-tex\_BS\_64

**TRACTOR - MODEL NO. PP19H46 (96042019000), PRODUCT NO. 960 42 01-90  
ENGINE**

<b>KEY NO.</b>	<b>PART NO.</b>	<b>DESCRIPTION</b>
1	-----	Engine B&S Model No. 33R877-0023-G1 (501450101) (Order parts from engine manufacturer.)
2	580 53 23-01	Muffler
9	584 90 80-01	Keeper Belt Engine
12	586 72 89-01	Pulley Engine
15	532 43 30-07	Tank Fuel
18	581 17 61-01	Cap Fuel
20	587 24 26-01	Control Throttle/Cobra
21	532 41 63-58	Screw #10 x 0.750
28	532 40 11-37	Fuel Line
29	532 13 71-80	Spark Arrester Kit
37	532 12 34-87	Clamp Hose
42	810 04 07-00	Washer Lock 7/16
45	873 51 04-00	Nut Keps Hex 1/4-20 unc
69	532 16 52-91	Gasket
79	532 19 23-34	Screw 5/16-18 x .75
81	532 14 84-56	Tube Drain Oil Easy
82	532 42 82-87	Valve Oil Drain
84	817 06 06-20	Screw 3/8-16 x 1-1/4
85	532 17 39-37	Bolt Hex 7/16-20 x 4 x Gr. 5-1.5
87	532 17 18-77	Bolt 5/16-18 unc 3/4
90	817 00 06-16	Screw 3/8-16 x 1
94	581 88 09-01	Exhaust Tube
96	819 09 14-16	Washer 9/32 x 7/8 x 16 Ga.
97	817 67 04-12	Screw Hexwsh Thdrl 1/4-20 x 3/4
111	532 41 41-19	Purge Line

**NOTE:** All component dimensions given in U.S. inches  
1 inch = 25.4 mm

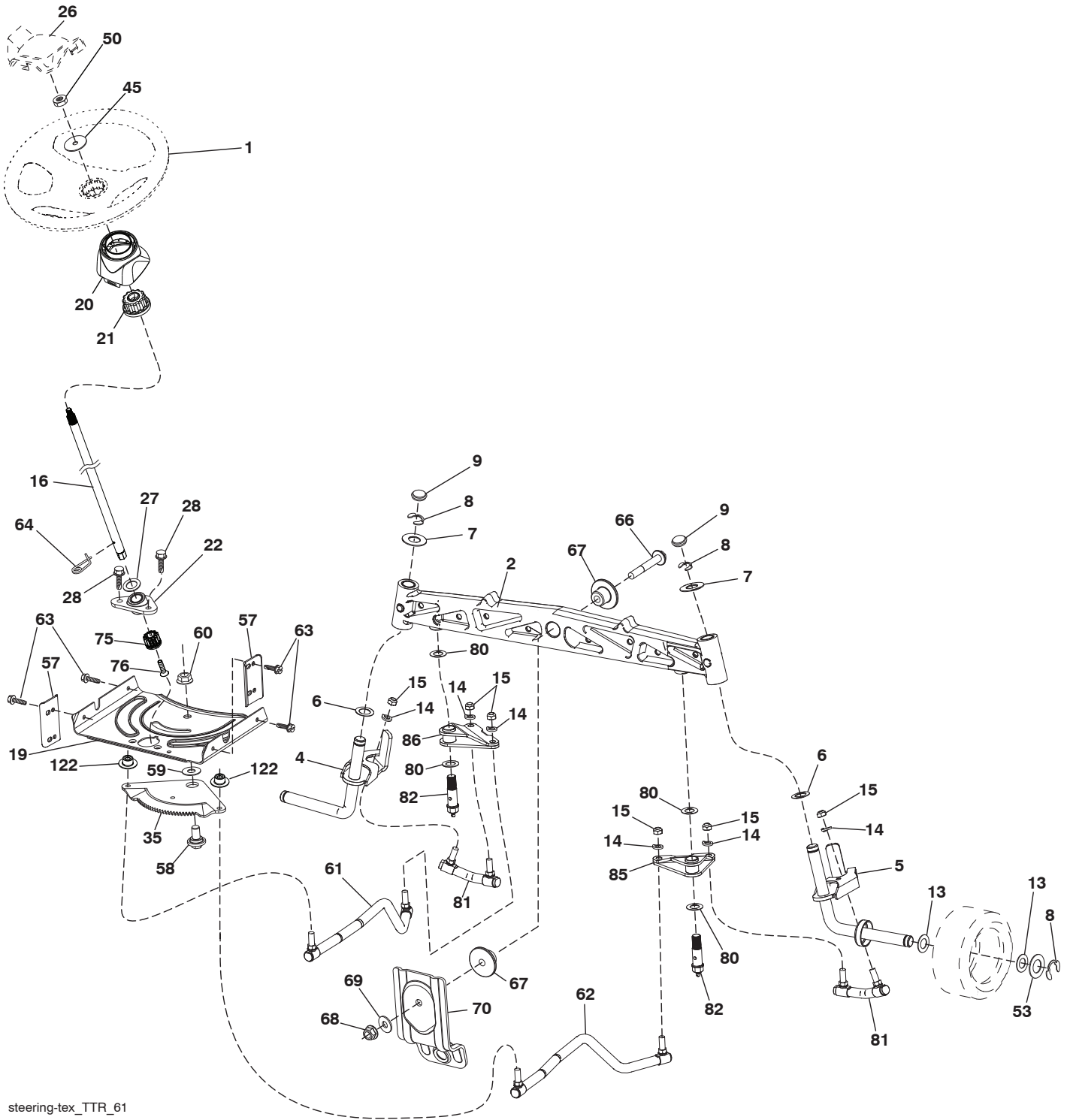
For engine service and replacement parts, call the toll free number for your engine manufacturer listed below:

Briggs & Stratton      1-800-233-3723

**Engine Power Rating Information**

The gross power rating for individual gas engine models is labeled in accordance with SAE (Society of Automotive Engineers) code J1940 (Small Engine Power & Torque Rating Procedure), and rating performance has been obtained and corrected in accordance with SAE J1995 (Revision 2002-05). Torque values are derived at 3060 RPM; horsepower values are derived at 3600 RPM. Actual gross engine power will be lower and is affected by, among other things, ambient operating conditions and engine-to-engine variability. Given both the wide array of products on which engines are placed and the variety of environmental issues applicable to operating the equipment, the gas engine will not develop the rated gross power when used in a given piece of power equipment (actual "on-site" or net power). This difference is due to a variety of factors including, but not limited to, accessories (air cleaner, exhaust, charging, cooling, carburetor, fuel pump, etc.), application limitations, ambient operating conditions (temperature, humidity, altitude), and engine-to-engine variability. Due to manufacturing and capacity limitations, Briggs & Stratton may substitute an engine of higher rated power for this Series engine.

**TRACTOR - MODEL NO. PP19H46 (96042019000), PRODUCT NO. 960 42 01-90**  
**STEERING ASSEMBLY**



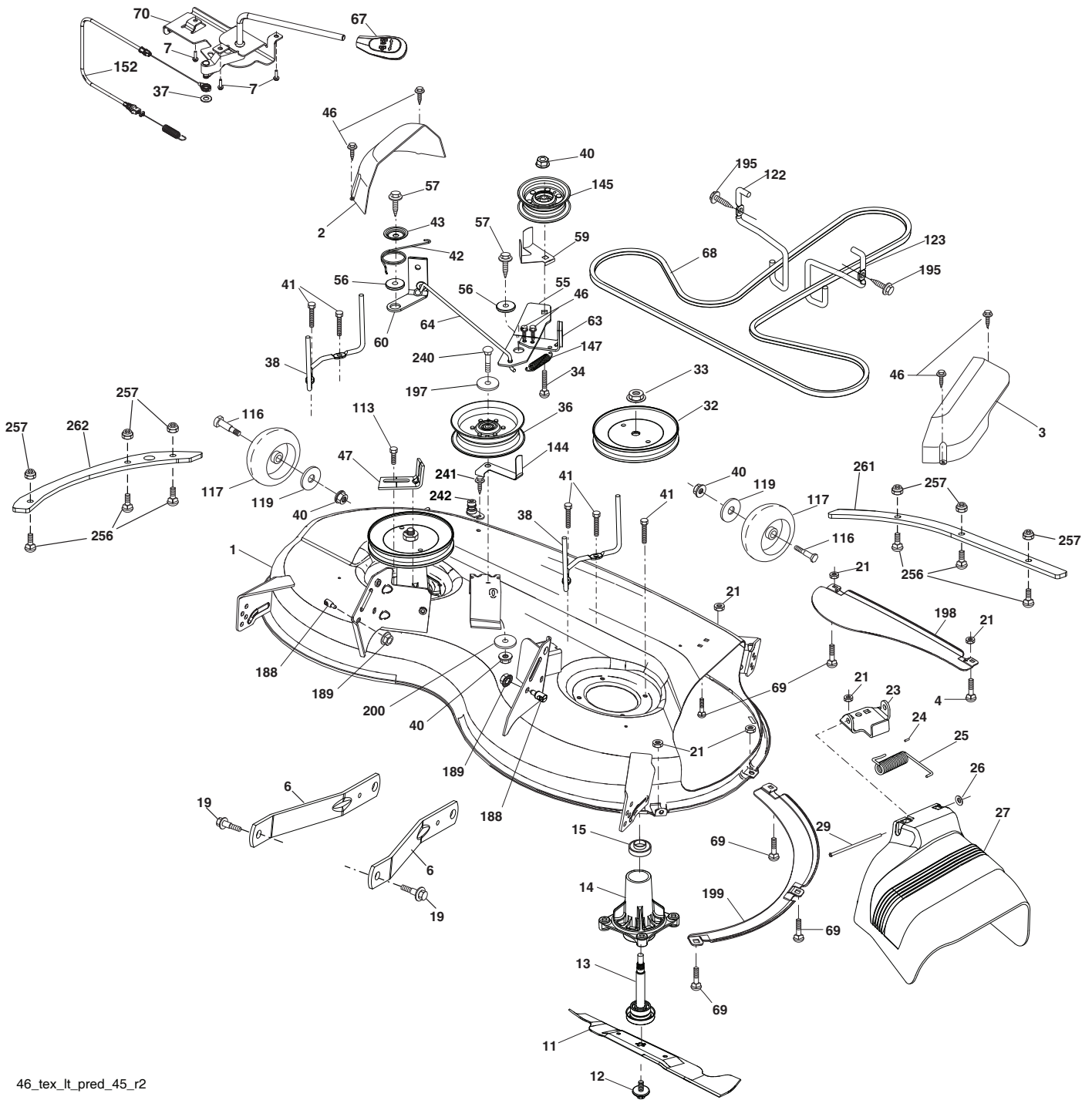
steering-tex\_TTR\_61

**TRACTOR - MODEL NO. PP19H46 (96042019000), PRODUCT NO. 960 42 01-90  
STEERING ASSEMBLY**

<b>KEY NO.</b>	<b>PART NO.</b>	<b>DESCRIPTION</b>
1	532 42 45-43	Wheel, Steering
2	532 43 68-70	Axle Asm., Front
4	532 43 68-73	Spindle Asm., LH
5	532 43 68-74	Spindle Asm., RH
6	532 12 49-31	Washer Thrust 0.75 x 1.23
7	532 12 17-48	Washer 25/32 x 1-5/8 x 16 Ga.
8	812 00 00-29	Ring, Klip #T5304-75
9	532 12 12-32	Cap, Spindle
13	532 12 17-49	Washer 25/32 x 1-1/4 x 16 Ga.
14	810 04 06-00	Washer, Lock 3/8
15	873 54 06-00	Nut, Crown Lock 3/8-24 unf
16	587 01 60-02	Shaft Steering
19	532 19 47-29	Plate Steering
20	532 42 47-40	Boot Strnd
21	586 84 02-01	Adapter, Wheel Steering Splnd Alum
22	585 02 99-01	Bearing Subasm Shaft Steer Low
26	532 42 46-91	Insert, Wheel Steering
27	819 21 16-16	Washer 21/32 x 1 x 16 Ga.
28	817 00 06-12	Screw 3/8-16 x 3/4
35	532 44 07-70	Gear, Sector Plate
45	587 01 64-01	Washer 3/8 ID 2-3/8OD 12 Ga. PLTD
50	873 90 06-00	Nut Lock Fig. 3/8-16 unc
53	532 18 89-67	Washer Hardened .793 x 1.637 x .060
57	532 40 74-65	Bracket Upstop
58	532 19 47-47	Bolt Shoulder Sector Pivot CFM
59	532 19 47-48	Washer Thrust Sector Steering
60	873 97 10-00	Nut Flange Lock 5/8-11
61	532 43 68-84	Draglink, LH
62	532 43 68-85	Draglink, RH
63	817 00 05-12	Screw 5/16-18 x 3/4
64	532 19 98-49	Retainer Clip Spring Steering
66	871 02 07-48	Bolt Hex Fghd 7/16-14 x 3 Serr
67	532 19 47-37	Bushing PM Front Axle
68	873 90 07-00	Nut Lock Flange 7/16-14 Gr. 5
69	532 19 91-62	Washer 1.5 x .505 x .118
70	585 33 88-01	Bracket Deck Susp. Front
75	580 68 37-01	Pinion
76	580 68 36-01	Screw Head Sock
80	532 00 13-70	Washer
81	532 43 68-87	Link Cross
82	532 44 21-47	Pivot Bolt
85	532 44 18-73	Pivot RH
86	532 44 18-72	Pivot LH
122	532 44 49-62	Cap Gear Sector TFX

**NOTE:** All component dimensions given in U.S. inches  
1 inch = 25.4 mm

**TRACTOR - MODEL NO. PP19H46 (96042019000), PRODUCT NO. 960 42 01-90**  
**MOWER DECK**



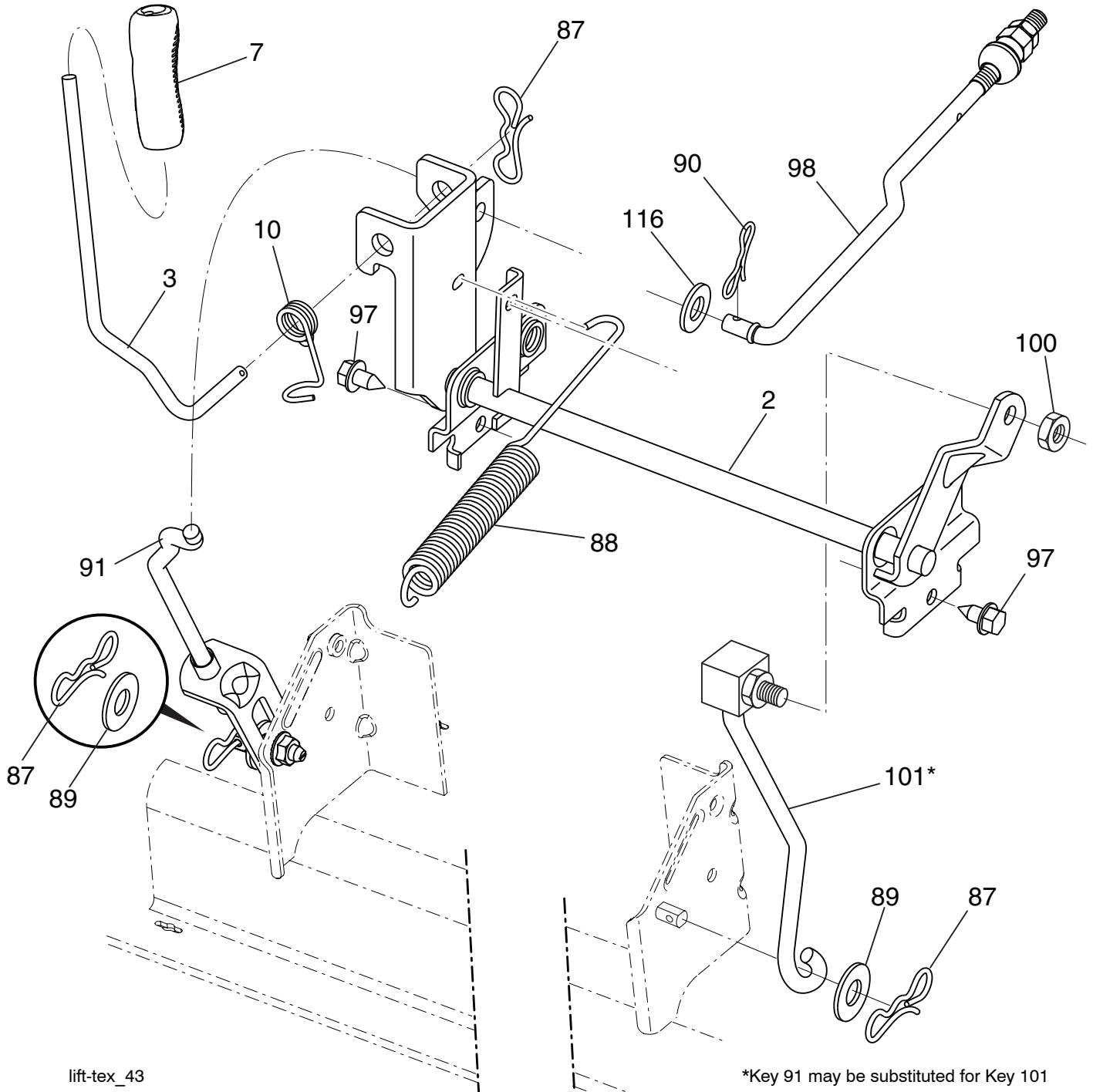
46\_tex\_lit\_pred\_45\_r2

**TRACTOR - MODEL NO. PP19H46 (96042019000), PRODUCT NO. 960 42 01-90  
MOWER DECK**

<b>KEY NO.</b>	<b>PART NO.</b>	<b>DESCRIPTION</b>	<b>KEY NO.</b>	<b>PART NO.</b>	<b>DESCRIPTION</b>
1	583 90 09-06	Mower Housing	69	872 14 05-05	Bolt
2	532 40 55-07	Cover Mandrel LH	70	584 24 35-01	Clutch Asm. Manual
3	532 40 55-06	Cover Mandrel RH	113	817 00 05-10	Bolt 5/16-18
4	874 76 05-12	Bolt Hex Hd 5/16-18 unc	116	532 12 48-42	Bolt, Shoulder
6	532 19 51-86	Arm Suspension	117	532 18 86-06	Wheel, Gauge
7	532 41 63-58	Screw #10 x 0.750	119	819 12 14-14	Washer 3/8 x 7/8 x 14 Ga.
11	532 40 53-80	Blade	122	532 19 72-58	Keeper Belt Engine LH
12	584 30 93-01	Screw Sems 7/16-20 x 1 Hex Head	123	532 19 72-59	Keeper Belt Engine RH
13	587 25 65-01	Shaft Assembly, Mandrel	144	532 19 92-04	Keeper Belt Mower
14	532 18 72-81	Housing, Mandrel	145	532 19 31-97	Pulley, Idler, Primary
15	585 32 39-01	Bearing, Mandrel	147	532 40 18-72	Spring Mower Deck
19	532 19 65-39	Bolt, Shoulder	152	532 19 99-72	Cable Clutch Manual
21	873 68 05-00	Nut, Crownlock 5/16-18 unc	188	532 19 51-61	Stud Fastener
23	532 19 25-57	Bracket, Deflector	189	873 90 05-00	Nut Lock Hex Flange
24	532 10 53-04	Cap, Sleeve	195	817 00 06-12	Screw 3/8-16 x 3/4
25	532 19 70-26	Spring, Torsion, Deflector	197	819 13 13-12	Washer 13/32 x 13/16 x 12 Ga.
26	532 11 04-52	Nut, Push	198	532 40 31-49	Baffle Center Front
27	532 40 53-57	Shield, Deflector	199	532 40 31-50	Baffle Front RH
29	532 13 14-91	Rod, Hinge	200	532 41 35-24	Washer 13/32 x 1 x 1/2 x 11 Ga.
32	532 19 74-73	Pulley, Mandrel	240	874 52 06-36	Bolt Fin Hex 3/8-16 x 2-1/4 Gr. 5
33	532 40 02-34	Nut, Toplock, Flanged	241	532 15 29-27	Screw #10-32.5 3/8 Flange
34	872 11 06-12	Bolt Carr Sh. 3/8-16 x 1-1/2 Gr. 5	242	532 41 55-98	Port Washout
36	532 19 73-79	Pulley Idler	256	578 29 64-04	Screw Button Hd 1/4-20
37	819 13 13-16	Washer 13/32 x 13/16 x 16 Ga.	257	873 90 04-00	Nut Hex Flg 1/4-20 unc
38	532 43 25-20	Keeper Belt Mower	261	585 31 77-05	Plate Reinforcement Front
40	873 90 06-00	Nut, Lock Flg. 3/8-16 unc	262	585 31 78-05	Plate Reinforcement Sidebolt
41	584 95 39-01	Bolt Hex Wsh Hd 3/13-18 x 1.19	--	532 41 64-05	Coupling
42	532 19 84-10	Spring Torsion Brake	--	587 25 33-01	Mandrel Assembly (Includes housing (key# 14), shaft assembly (key# 13), bearing (key# 15) and nut (key# 33) only-pulley/washer and blade bolt/washer not included.)
43	532 19 72-56	Spring Torsion Retainer	--	587 71 94-01	Replacement Mower, Complete
46	532 13 77-29	Screw 1/4-20 x 5/8			
47	532 19 72-50	Clutch Cable			
55	532 19 72-49	Arm, Idler			
56	532 19 90-92	Spacer, Retainer			
57	817 00 06-16	Screw 3/8-16 x 1			
59	532 14 10-43	Guard, Tuv Idler			
60	532 19 94-71	Arm Brake Mower			
63	532 19 94-77	Arm Brake Mower			
64	532 40 51-38	Linkage Asm. Brake			
67	532 40 30-12	Handle Clutch Cable			
68	532 40 51-43	Belt, Drive			

**NOTE:** All component dimensions given in U.S. inches  
1 inch = 25.4 mm

**TRACTOR - MODEL NO. PP19H46 (96042019000), PRODUCT NO. 960 42 01-90**  
**MOWER LIFT**



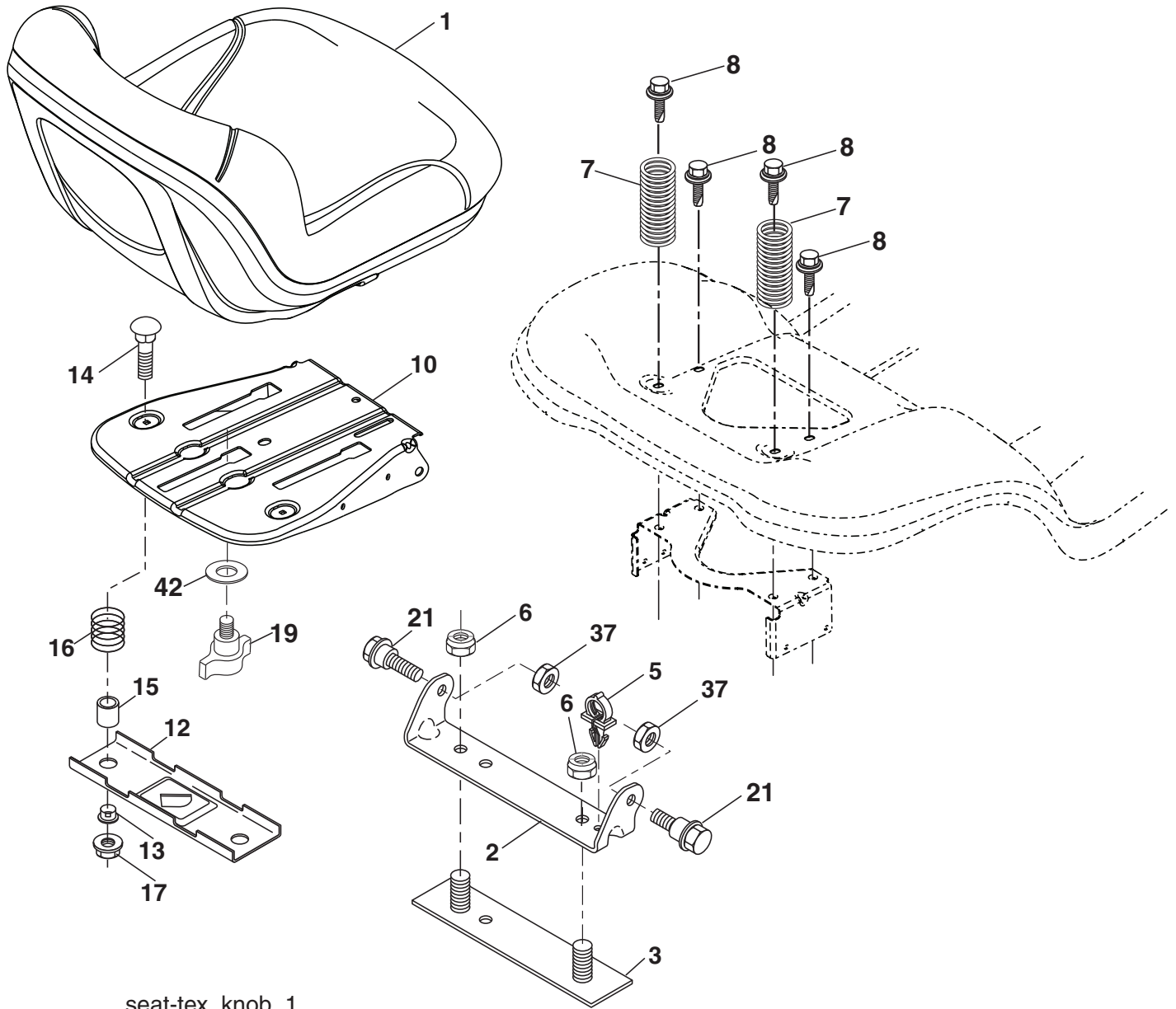
KEY NO.	PART NO.	DESCRIPTION
2	532 42 20-27	Shaft Asm.Cross, Lift
3	532 19 52-31	Lever Asm., Lift RH
7	580 96 23-01	Grip, Lever
10	532 19 63-14	Spring Torsion
87	532 19 42-09	Pin Cotter 7/16 Bow Tie Lock
88	532 41 07-10	Spring Lift Assist
89	819 19 19-12	Washer Clear Zinc
90	532 19 42-08	Pin Cotter 5/16 Bow Tie Lock
91	532 19 51-81	Link Lift Susp. Mower Rear

KEY NO.	PART NO.	DESCRIPTION
97	817 00 06-12	Screw 3/8-16 x .75
98	532 19 52-70	Link Lift Susp. Front Mower
100	873 93 06-00	Nut Centerlock 3/8-16
101	532 40 70-03	Link Asm, Lift Fixed
116	819 15 15-16	Washer 15/32 x 15/16 x 16 Ga.

**NOTE:** All component dimensions given in U.S. inches  
 1 inch = 25.4 mm



**TRACTOR - MODEL NO. PP19H46 (96042019000), PRODUCT NO. 960 42 01-90  
SEAT ASSEMBLY**



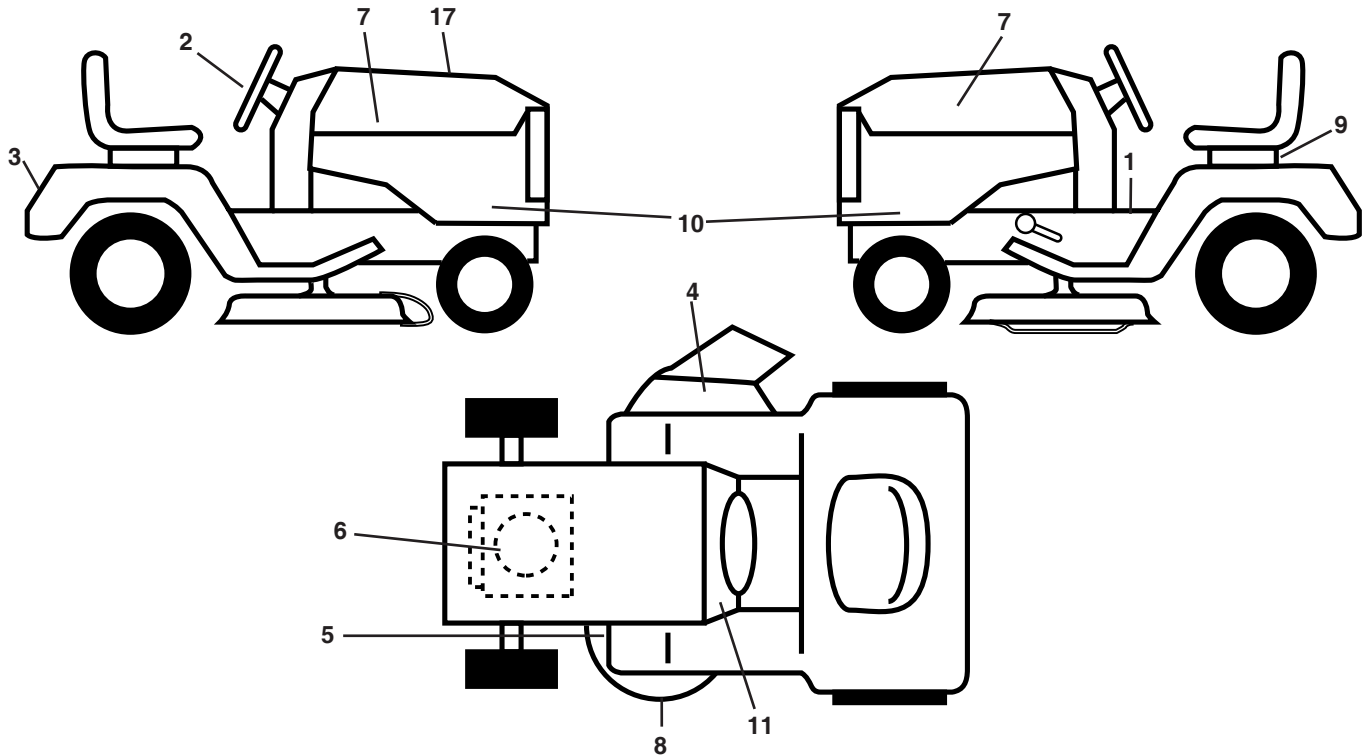
seat-tex\_knob\_1

KEY NO.	PART NO.	DESCRIPTION
1	532 19 75-23	Seat
2	532 18 01-66	Bracket Pivot Fender
3	532 14 06-75	Strap, Asm Fender
5	532 14 50-06	Clip Push-in Hinged
6	873 80 06-00	Nut, Lock w/Ins. 3/8-16 unc
7	587 61 33-01	Spring, Seat Cprsn
8	532 17 18-77	Bolt 5/16-18 unc x 3/4 w/Sems
10	532 44 18-05	Pan, Seat
12	532 19 93-70	Bracket Mnt.
13	532 12 12-48	Bushing Snap
14	872 05 04-12	Bolt 1/4-20 x 1-1/2

KEY NO.	PART NO.	DESCRIPTION
15	532 13 43-00	Spacer Split
16	532 12 37-40	Spring CPRSN Plate
17	532 12 39-76	Nut Lock 1/4
19	532 19 93-72	Knob Seat
21	587 90 78-01	Bolt, Shoulder 5/16-18 x 5/8
37	873 80 05-00	Nut, Lock 5/16-18 unc
42	532 19 93-71	Cup Washer

**NOTE:** All component dimensions given in U.S. inches  
1 inch = 25.4 mm

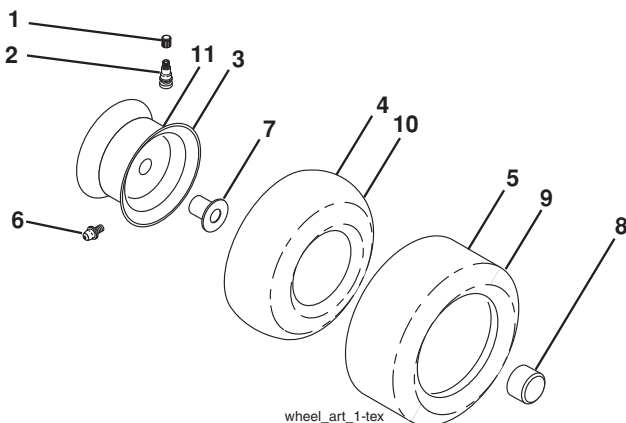
**TRACTOR - MODEL NO. PP19H46 (96042019000), PRODUCT NO. 960 42 01-90  
DECALS**



KEY NO.	PART NO.	DESCRIPTION
1	581 57 89-01	Decal, Read Manual
2	587 61 91-01	Decal, Steering Wheel
3	587 61 89-01	Decal, Fender
4	584 90 46-01	Decal, Deflect. Warning
5	581 58 00-01	Decal, V-Belt Sch.
6	501 51 79-01	Decal, Engine HP
7	587 60 95-01	Decal, Hood Panels LH/RH
8	587 71 20-01	Decal, Deck Warranty
9	532 14 50-05	Decal, Battery Dnge/Poi
10	501 54 52-01	Decal, Side Panels

KEY NO.	PART NO.	DESCRIPTION
11	587 84 40-01	Decal, Dash Snowflake
17	501 45 00-01	Decal, Replacement
--	581 72 48-01	Decal, Bypass
--	532 40 95-05	Pad, Footrest, LH
--	532 40 95-07	Pad, Footpedal
--	115 78 25-26	Manual, Operator's (English/Spanish)
--	115 78 26-27	Manual, Parts (English/Spanish)
--	115 63 96-46	Manual, Quick Start Guide (English/Spanish)

**WHEELS & TIRES**



KEY NO.	PART NO.	DESCRIPTION
1	532 05 91-92	Cap, Valve, Tire
2	532 06 51-39	Stem, Valve
3	532 12 51-21	Rim Assembly, Front
4	532 05 99-04	Tube, Front
5	532 10 62-22	Tire, Front 15 x 6-6
6	532 12 49-57	Fitting, Grease
7	532 12 49-59	Bearing, Flange
8	532 19 32-68	Cap, Axle
9	532 13 84-68	Tire, Rear 20 x 8-8
10	532 12 49-26	Tube, Rear
11	532 12 51-22	Rim Assembly, Rear
--	532 14 43-34	Sealant, Tire (10 oz. Tube)

**NOTE:** All component dimensions given in U.S. inches  
1 inch = 25.4 mm

---

# SERVICE NOTES

---

# Poulan PRO

## PARTS AND SERVICE

This product has been expertly engineered and carefully manufactured to rigid quality standards. As with all mechanical products, some adjustments or part replacement may be necessary during the life of your unit.

For Parts and service, contact our authorized distributor: call 1-800-849-1297

- For replacement parts, have available the following information:
  - a. Model Number/Manufacturer's I.D. Number
  - b. Description of part.

For Technical Assistance: call 1-800-829-5886

For a Parts Manual, go to our website: [www.poulanpro.com](http://www.poulanpro.com)

**NOTE:** HOP provides parts and service through its authorized distributors and dealers; therefore, all requests for parts and service should be directed to your local dealer(s). The philosophy of HOP is to continually improve all of its products. If the operating characteristics or the appearance of your product differs from those described in this Manual, please contact your local dealer for updated information and assistance.

# **Poulan PRO**

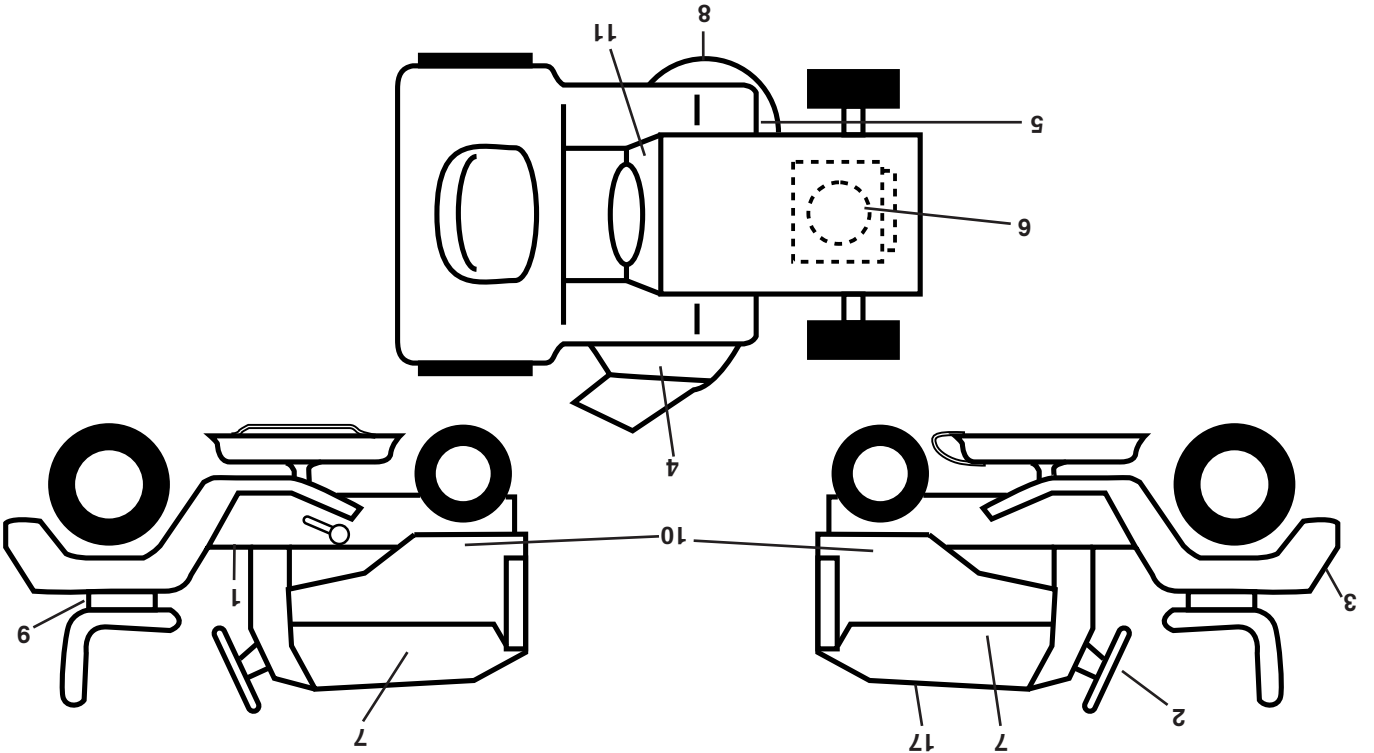
## **PARTES Y SERVICIOS**

Este producto ha sido diseñado por expertos y fabricado con cuidado según estrictas normas de calidad. Como con todos los productos mecánicos, pueden requerirse algunos ajustes o el cambio de algunas piezas durante la vida útil de la unidad.

- Para obtener partes y servicios, contacte a nuestro distribuidor autorizado: llame al 1-800-849-1297
  - Para obtener repuestos, tenga preparada la siguiente información:
    - a. Número de modelo/Número de I.D. del fabricante
    - b. Descripción de la pieza.
- Para obtener asistencia técnica: llame al 1-800-829-5886
- Para obtener un manual de piezas, visite nuestro sitio web: [www.poulanpro.com](http://www.poulanpro.com)

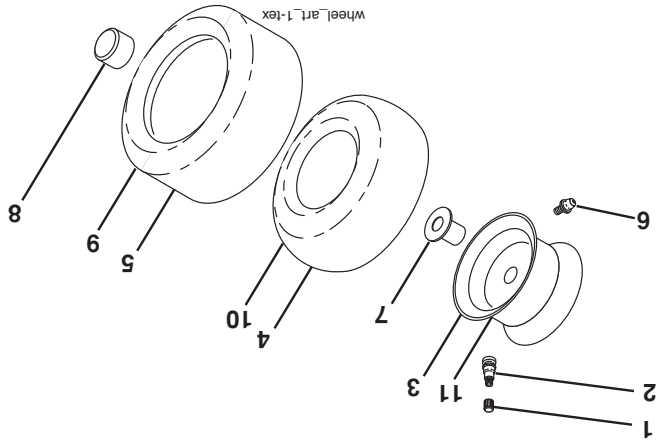
**NOTA:** HOP ofrece piezas y servicio a través de sus distribuidores y concesionarios autorizados; por lo tanto, todas las solicitudes de piezas y servicio deben dirigirse a su concesionario local. Es la filosofía de HOP mejorar permanentemente todos sus productos. Si las características operativas o el aspecto de su producto difiere de los descritos en este Manual, contacte a su concesionario local para solicitar información actualizada y asistencia.





CÓDIGO PIEZA	NO. NO.	DESCRIPCIÓN	CÓDIGO PIEZA	NO. NO.	DESCRIPCIÓN
581 57 89-01	1	Calcomanía, Leer el manual	587 84 40-01	11	Calcomanía, copo de nieve
587 61 91-01	2	Calcomanía, Volante de dirección	501 45 00-01	17	Calcomanía de reemplazo
587 61 89-01	3	Calcomanía, Guardabarros	581 72 48-01	--	Calcomanía para la desviación
584 90 46-01	4	Calcomanía, advertencia	532 40 95-05	--	Forro del apoyo para los pies (LI)
581 58 00-01	5	Calcomanía del Diagrama de correa	532 40 95-07	--	Forro del apoyo para los pies
501 51 79-01	6	Calcomanía, Motor	115 78 25-26	--	Manual del operario
587 60 95-01	7	Calcomanía para la capota (LI)/(LD)	115 78 25-26	--	Manual de repuestos
587 71 20-01	8	Calcomanía, garantía	115 78 26-27	--	Manual de repuestos
532 14 50-05	9	Calcomanía de Peligro/Punto de interconexión	115 63 96-46	--	Guía de inicio rápido
501 54 52-01	10	Calcomanía, paneles laterales			(INGLES/ESPAÑOL)

RUEDAS Y NEUMÁTICOS

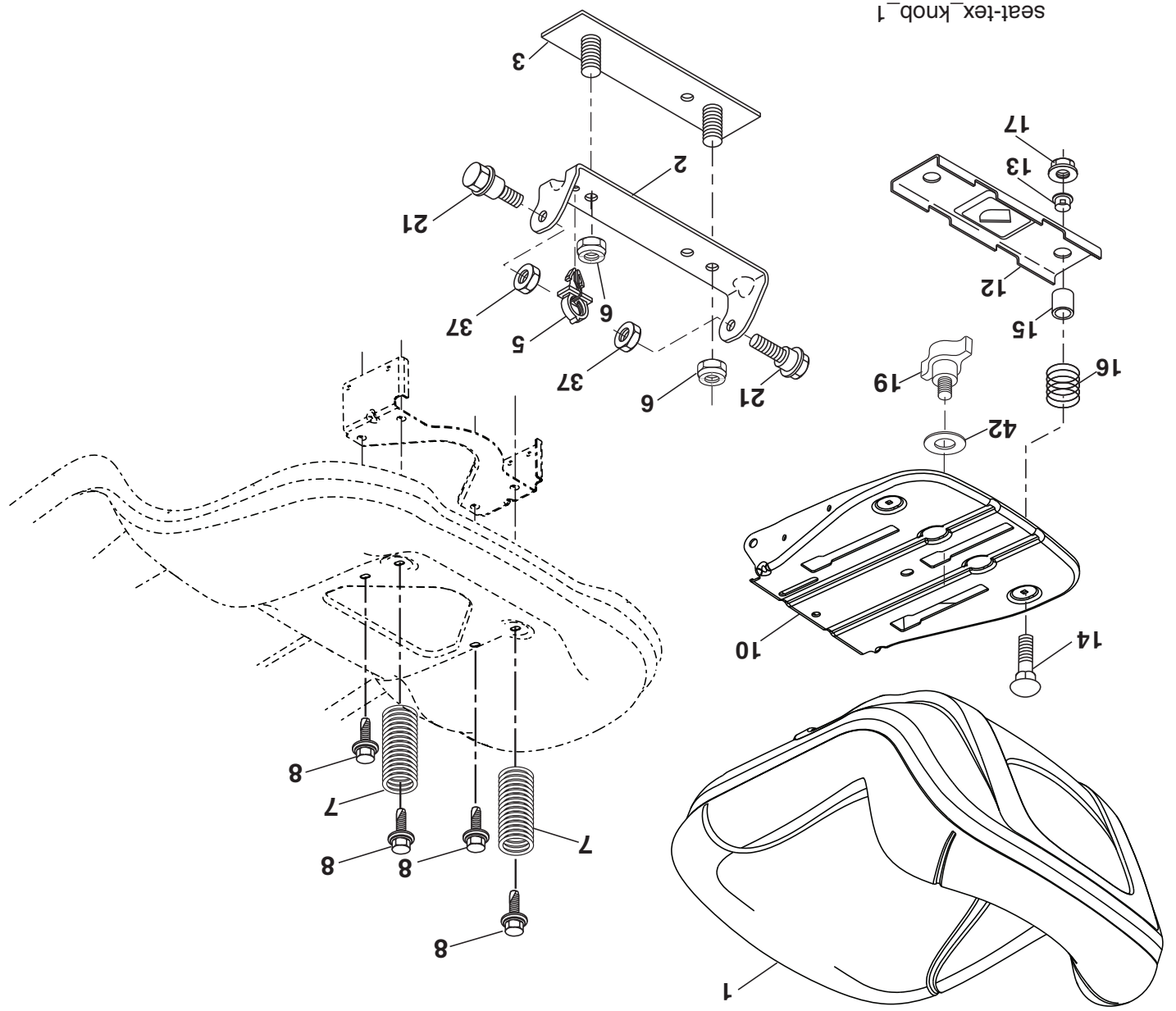


CÓDIGO PIEZA	NO. NO.	DESCRIPCIÓN
532 05 91-92	1	Tapa de la válvula del neumático
532 06 51-39	2	Vástago de la válvula
532 12 51-21	3	Ensamble de las llantas delanteras
532 05 99-04	4	Cámara delantera
532 10 62-22	5	Neumático delantero 15 x 6-6
532 12 49-57	6	Accesorio para engrasar
532 12 49-59	7	Rodamiento de la brida
532 19 32-68	8	Tapa del eje
532 13 84-68	9	Neumático trasero 20 x 8-8
532 12 49-26	10	Cámara trasera
532 12 51-22	11	Ensamble trasero de la llanta
532 14 43-34	--	Sellador para neumáticos (tubo de 10 onzas [283 gr])

NOTA: Las dimensiones de todos los componentes están expresadas en pulgadas americanas. 1 pulgada = 25,4 mm

**TRACTOR - MODELO NO. PP19H46 (96042019000), PRODUCTO NO. 960 42 01-90**

**ENSAMBLE DEL ASIENTO**



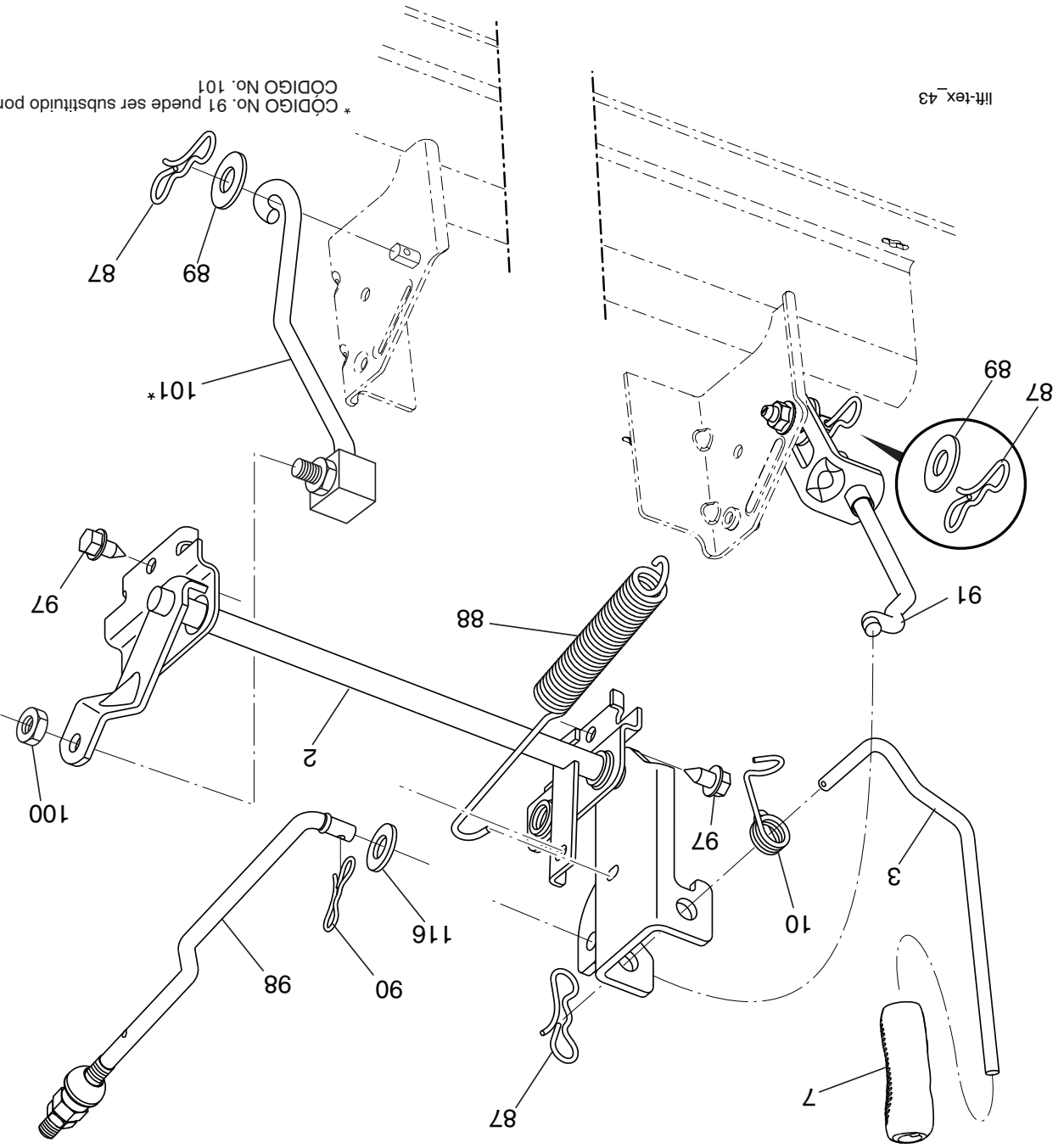
CÓDIGO PIEZA	No.	DESCRIPCIÓN
532 19 75-23	1	Asiento
532 18 01-66	2	Soprote pivotante del guardabarros
532 14 06-75	3	Conector del ensamble del guard
532 14 50-06	5	Cierre abarros
873 80 06-00	6	Tuerca 3/8-16 unc
587 61 33-01	7	Resorte del asiento
532 17 18-77	8	Perno 5/16-18 unc x 3/4
532 44 18-05	10	Bandeja del asiento
532 19 93-70	12	Soprote
532 12 12-48	13	Buje
872 05 04-12	14	Perno 1/4-20 x 1-1/2
532 13 43-00	15	Separador
532 12 37-40	16	Resorte para trabar el asiento
532 12 39-76	17	Tuerca 1/4
532 19 93-72	19	Perilla de asiento
587 90 78-01	21	Perno 5/16-18 x 5/8
873 80 05-00	37	Tuerca 5/16-18 unc
532 19 93-71	42	Arandela

**NOTA:** Las dimensiones de todos los componentes están expresadas en pulgadas=25,4 mm



**TRACTOR - MODELO NO. PP19H46 (96042019000), PRODUCTO NO. 960 42 01-90**

**ELEVACIÓN DE LA CORTADORA DE CÉSPED**



**CÓDIGO PIEZA No.**

90	532 19 42-08	bloqueo en forma de mariposa
89	819 19 19-12	Pasador de chaveta de 5/16 con Arandela de zinc transparente
88	532 41 07-10	Resorte de ayuda de la elevación
87	532 19 42-09	bloqueo en forma de mariposa
10	532 19 63-14	Pasador de chaveta de 7/16 con Resorte de torsión
7	580 96 23-01	Mango de la palanca
3	532 19 52-31	Ensamble de la palanca de elevación derecha
2	532 42 20-27	Ensamble del eje de la elevación

**DESCRIPCIÓN**

**CÓDIGO PIEZA No.**

91	532 19 51-81	Ensamble del acoplamiento Elevación trasera
97	817 00 06-12	Tornillo de 3/8-16 x .75
98	532 19 52-70	Acoplamiento frontal de la elevación de la cortadora de césped
100	873 93 06-00	Tuerca de presión central de 3/8-16
101	532 40 70-03	Levante la asamblea de lazo
116	819 15 15-16	Arandela 15/32 x 15/16 x calibre 16

**DESCRIPCIÓN**

**NOTA:** Las dimensiones de todos los componentes están expresadas en pulgadas=25,4 mm

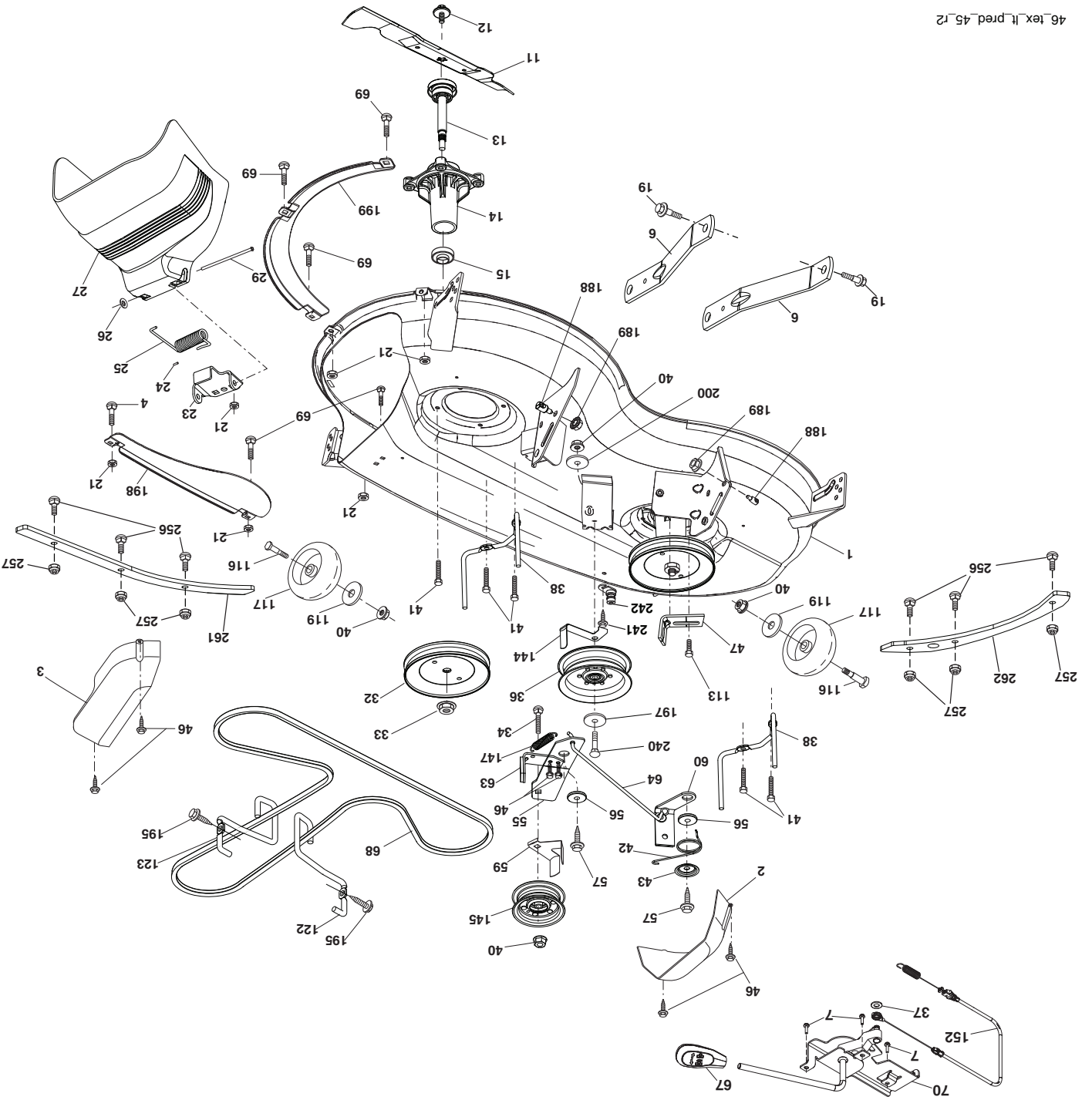
**TRACTOR - MODELO NO. PP19H46 (96042019000), PRODUCTO NO. 960 42 01-90**

**PLATAFORMA DE LA CORTADORA DE CESPED**

CÓDIGO	PIEZA	NO.	DESCRIPCIÓN	CÓDIGO	PIEZA	NO.	DESCRIPCIÓN
1	583 90	09-06	Carcasa de la cortadora de césped	117	532 18	86-06	Calibrador de la rueda
2	532 40	55-07	Cubierta izquierda del mandril	119	819 12	14-14	Arandela de 3/8 x 7/8 x calibre 14
3	532 40	55-06	Cubierta derecha del mandril	122	532 19	72-58	Sujetador izquierdo de la correa
4	874 76	05-12	Perno 5/16-18 unc	123	532 19	72-59	Sujetador derecho de la correa del motor
6	532 19	51-86	Brazo de la suspensión	144	532 19	92-04	Sujetador de la correa
7	532 41	63-58	Tornillo No. 10 x 0.750	145	532 19	31-97	Polea loca
11	532 40	53-80	Cuchilla	147	532 40	18-72	Retorno del resorte
12	584 30	93-01	Tornillo 7/16-20 x 1	152	532 19	99-72	Cable de embrague manual con resorte
13	587 25	65-01	Ensamble del eje del mandril	188	532 19	51-61	Sujetador del travesaño
14	532 18	72-81	Carcasa del mandril	189	873 90	05-00	Tuerca de presión hexagonal con brida
15	585 32	39-01	Rodamiento de bolas del mandril	195	817 00	06-12	Tornillo de 3/8-16 x 3/4
19	532 19	65-39	Perno de tope	197	819 13	13-12	Arandela de 13/32 x 13/16 x calibre 12
21	873 68	05-00	Tuerca corona de presión de 5/16-18 unc	198	532 40	31-49	Deflector delantero central
23	532 19	25-57	SopORTE del deflector	199	532 40	31-50	Deflector delantero derecho
24	532 10	53-04	Tapa de la manga	241	532 15	29-27	Tornillo de No. 10-32.5 3/8
25	532 19	70-26	Resorte de torsión del deflector	242	532 41	55-98	Puerto De Lavado De La Cubierta
26	532 11	04-52	Tuerca de presión	256	578 29	64-04	Tornillo 1/4-20 unc
27	532 40	53-57	Protector del deflector	257	873 90	04-00	Tuerca 1/4-20
29	532 13	14-91	Varilla de la bisagra	261	585 31	77-05	Placa de refuerzo
32	532 19	74-73	Polea del mandril	262	585 31	78-05	Placa de refuerzo
33	532 40	02-34	Tuerca de seguridad con brida	532 41	64-05	--	Accesorio del conexión
34	872 11	06-12	Perno de cabeza de hongo y cuello cuadrado de 3/8-16 x 1-1/2 grado 5	532 25	33-01	--	Ensamble del Mandril (solo incluye la carcasa (key No. 14), el ensamble del eje (key No. 13) y el rodamiento (key No. 15), y tuerca (key No. 33); no incluye la polea/arandela ni los pernos/arandelas de la cuchilla)
36	532 19	73-79	Polea loca	587 71	94-01	--	Reemplazo de la cortadora de césped, completa
37	819 13	13-16	Arandela de 13/32 x 13/16 x calibre 16				
38	532 43	25-20	Sujetador de la correa				
40	873 90	06-00	Tuerca de presión con brida de 3/8-16 unc				
41	584 95	39-01	Perno 313-18 x 1.19				
42	532 19	84-10	Resorte de torsión del freno				
43	532 19	72-56	Resorte de torsión de retención				
46	532 13	77-29	Tornillo de 1/4-20 x 5/8				
47	532 19	72-50	Cable de embrague				
55	532 19	72-49	Brazo de la polea				
56	532 19	90-92	Espaciador de retención				
57	817 00	06-16	Tornillo de 3/8-16 x 1				
59	532 14	10-43	Dispositivo de protección de la polea				
60	532 19	94-71	Brazo del freno de la cortadora de césped				
63	532 19	94-77	Brazo del freno de la cortadora de césped				
64	532 40	51-38	Ensamble del varillaje del freno				
67	532 40	30-12	Manija del cable de embrague				
68	532 40	51-43	Correa				
69	872 14	05-05	Perno				
70	584 24	35-01	Ensamble del embrague Manual				
113	817 00	05-10	Perno de 5/16-18				
116	532 12	48-42	Perno de tope				

**NOTA:** Las dimensiones de todos los componentes están expresadas en pulgadas = 25,4 mm

TRACTOR - MODELO NO. PP19H46 (96042019000), PRODUCTO NO. 960 42 01-90  
PLATAFORMA DE LA CORTADORA DE CESPED



46.tex:lt.pred\_45\_r2

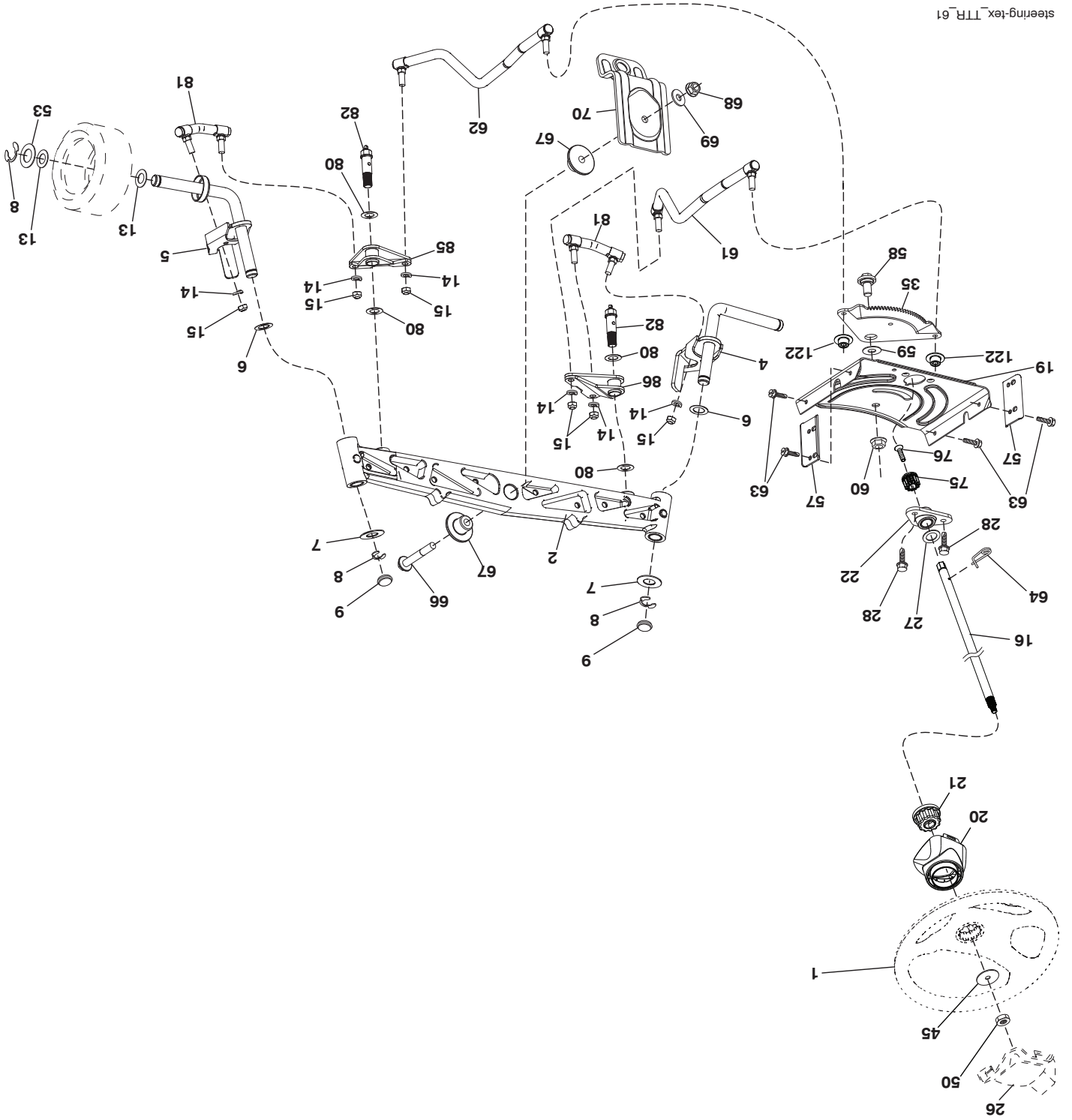
**TRACTOR - MODELO NO. PP19H46 (96042019000), PRODUCTO NO. 960 42 01-90**

**ENSAMBLE DE LA DIRECCIÓN**

<b>CÓDIGO PIEZA</b>	<b>No.</b>	<b>DESCRIPCIÓN</b>
532 42 45-43	1	Volante de dirección
532 43 68-70	2	Ensamble del eje delantero
532 43 68-73	4	Ensamble del husillo izquierdo
532 43 68-74	5	Ensamble del husillo derecho
532 12 49-31	6	Pista del rodamiento para reforzar el impulso
532 12 17-48	7	Arandela de 25/32 x 1-5/8 x calibre 16
812 00 00-29	8	Abrazadera del aro No.T5304-75
532 12 12-32	9	Tapa del husillo
532 12 17-49	13	Arandela de 25/32 x 1-1/4 x calibre 16
810 04 06-00	14	Arandela de presión de 3/8
873 54 06-00	15	Tuerca corona de presión de 3/8-24 uní
587 01 60-02	16	Eje de dirección
532 19 47-29	19	Placa de dirección
532 42 47-40	20	Cubierta de la dirección
586 84 02-01	21	Adaptador del volante de dirección
585 02 99-01	22	Rodamiento
532 42 46-91	26	Inserto del volante de dirección
819 21 16-16	27	Arandela
817 00 06-12	28	Tornillo de 3/8-16 x 3/4
532 44 07-70	35	Engranaje del sector de la placa
587 01 64-01	45	Arandela 3/8 ID 2-3/8 OD calibre 12 PLTD
873 90 06-00	50	Tuerca 3/8-16 unc
532 18 89-67	53	Arandela reforzada
532 40 74-65	57	Tope superior del soporte
532 19 47-47	58	Perno de tope del sector del pivote CFM
532 19 47-48	59	Arandela de empuje del sector de dirección
873 97 10-00	60	Tuerca de presión con brida de 5/8-11
532 43 68-84	61	Barra de acoplamiento izquierda
532 43 68-85	62	Barra de acoplamiento derecha
817 00 05-12	63	Tornillo de 5/16-18 x 3/4
532 19 98-49	64	Abrazadera de retención del resorte de la dirección
871 02 07-48	66	Perno de cabeza hexagonal con brida acanalada de 7/16-14 x 3
532 19 47-37	67	Buje PM del eje delantero
873 90 07-00	68	Tuerca de presión con brida de 7/16-14 grado 5
532 19 91-62	69	Arandela de 1.5 x .505 x .118
585 33 88-01	70	Soporte de la plataforma delantera
580 68 37-01	75	Piñón
580 68 36-01	76	Tornillo
532 00 13-70	80	Washer
532 43 68-87	81	Biela de mando
532 44 21-47	82	Pernos
532 44 18-73	85	Pivote (LD)
532 44 18-72	86	Pivote (LI)
532 44 49-62	122	Tapón de extremo

**NOTA:** Las dimensiones de todos los componentes están expresadas en pulgadas = 25,4 mm

TRACTOR - MODELO NO. PP19H46 (96042019000), PRODUCTO NO. 960 42 01-90  
ENSAMBLE DE LA DIRECCIÓN



steering-tex\_TTR\_61

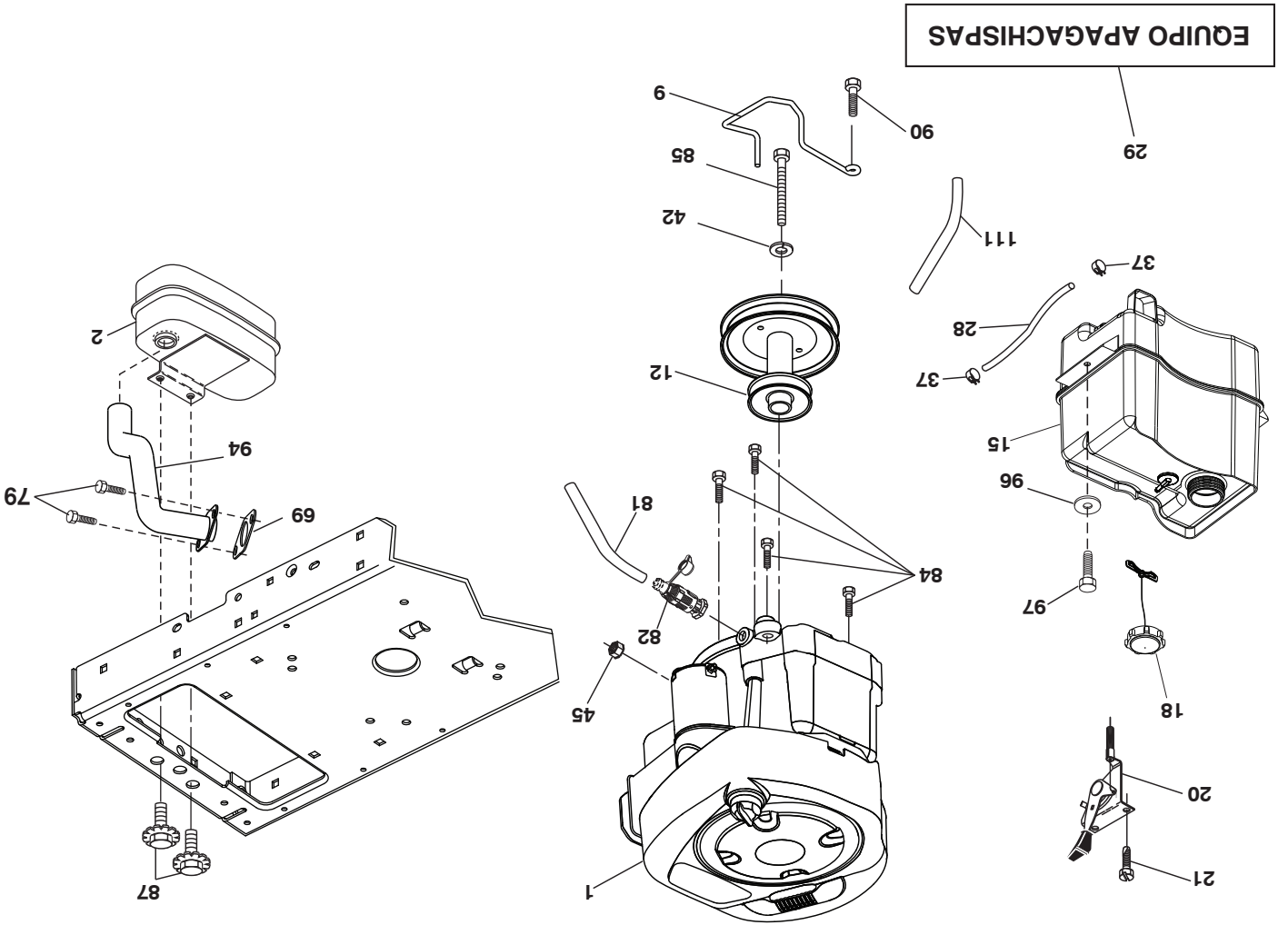
CÓDIGO	PIEZA	NO.	DESCRIPCIÓN
1	---	---	Motor B&S modelo no. 33R877-0023-G1 (501450101)(Haga el pedido de las piezas al fabricante del motor.)
2	580 53 23-01	2	Silenciador
9	584 90 80-01	9	Ensamble del sujetador de la correa del motor
12	586 72 89-01	12	Polea del motor
15	532 43 30-07	15	Tanque de gasolina
18	581 17 61-01	18	Tapa
20	587 24 26-01	20	Control de aceleración
21	532 41 63-58	21	Tornillo de No. 10 x 0.750
28	532 40 11-37	28	Línea de combustible
29	532 13 71-80	29	Equipo apagachispas
37	532 12 34-87	37	Abrazadera de la manguera
42	810 04 07-00	42	Arandela de presión de 7/16
45	873 51 04-00	45	Tuerca 1/4-20 unc
69	532 16 52-91	69	Junta
79	532 19 23-34	79	Tornillo 5/16-18 x .75
81	532 14 84-56	81	Tubo de fácil drenaje de aceite
82	532 42 82-87	82	Válvula fácil del drenaje del aceite
84	817 06 06-20	84	Tornillo de 3/8-16 x 1-1/4
85	532 17 39-37	85	Perno de 7/16-20 x 4 x grado 5-1.5
87	532 17 18-77	87	Perno 5/16-18 unc 3/4
90	817 00 06-16	90	Tornillo de 3/8-16 x 1
94	581 88 09-01	94	Tubo de escape
96	819 09 14-16	96	Arandela 9/32 x 7/8 x calibre 16
97	817 67 04-12	97	Tornillo 1/4-20 x 3/4
111	532 41 41-19	111	Línea de purge

**NOTA:** Las dimensiones de todos los componentes están expresadas en pulgadas americanas. 1 pulgada = 25,4 mm

Para el servicio de motor y repuestos, llame el número de llamada gratuita para su fabricante de motor listo abajo:  
Briggs & Stratton 1-800-233-3723

### Información de Clasificación de Potencia del Motor

La clasificación de potencia para un modelo de motor a gas en particular se designa de acuerdo al código J1940 de SAE (Sociedad de Ingenieros Automotrices) (Procedimiento de Clasificación de Potencia & Torque del Motor Pequeño), y la clasificación de desempeño ha sido obtenida y corregida de acuerdo con el código J1995 de SAE (Revisión 2002-05). Los valores de torque se obtienen a 3060 RPM; los valores de potencia se obtienen a 3600 RPM. La potencia bruta actual del motor será inferior y está afectada, entre otras cosas, por las condiciones ambientales operativas y la variabilidad de motor a motor. Dado ambos un amplio conjunto de productos en los cuales son puestos nuestros motores, y la variedad de emisiones ambientales aplicables al operar el equipo, el motor a gas no desarrollará la potencia nominal cuando sea usado en una parte del equipo acoplado (potencia real "en el-sitio" o potencia neta). Esta diferencia se debe a una variedad de factores que incluyen, pero que no están limitados a, accesorios (filtro de aire, sistema de escape, sistema de carga, sistema de enfriamiento, carburador, bomba de combustible, etc.) limitaciones de la aplicación, condiciones ambientales de operación (temperatura, humedad, altitud), y la variabilidad de motor a motor. Debido a las limitaciones, Briggs & Stratton puede sustituir este motor con clasificación de potencia más alta por esta serie de motor.



**TRACTOR - MODELO NO. PP19H46 (96042019000), PRODUCTO NO. 960 42 01-90**

**TRANSMISIÓN**

CÓDIGO PIEZA	No.	DESCRIPCIÓN	CÓDIGO PIEZA	No.	DESCRIPCIÓN
1	- - -	Transje, TUFFTORQ K46 BT	171	872	11 06-16
		(426120) (Haga el pedido de las	183	532	13 70-57
		piezas al fabricante del transeje.)	184	587	65 37-01
		Cuña	185	872	11 06-22
		Arandela de 13/32 x 13/16 x calibre 16	186	532	19 43-21
		Resorte de freno	187	819	13 32-10
		Varilla del freno	188	532	19 43-23
		Aro "E"	189	532	19 43-17
		Varilla del freno de mano	190	532	19 43-18
		Arandela endurecida	205	532	12 17-48
		Cubierta del pedal	210	532	40 09-80
		Perno	211	532	12 01-83
		Polea loca con ranura en V con un	214	532	42 12-63
		desplazamiento	215	532	40 17-23
		Correa trapezoidal de la transmisión	221	532	40 31-87
		Ensamble del eje Control del pedal de	222	879	21 20-10
		freno	225	532	40 33-19
		Perno de 5/16-18 x 2-1/2 grado 5	227	817	49 05-12
		Varilla del ensamble con de desviación	325	585	66 85-02
		Tuerca de presión hexagonal con	326	585	67 08-02
		brida de 5/16-18	336	587	25 96-01
		Tornillo de 5/16-18 x 3/4			
		Tornillo de 5/16-18 x 1/2			
		Retén del resorte			
		Pasador de chaveta de 1/8 x 3/4			
		Abrazadera de retención			
		Resorte de retorno del embrague			
		Varilla de control del pedal			
		Tuerca de presión			
		Pestillo del freno de mano			
		Sujetador de la correa central			

**NOTA:** Las dimensiones de todos los componentes están expresadas en pulgadas=25,4 mm





**TRACTOR - MODELO NO. PP19H46 (96042019000), PRODUCTO NO. 960 42 01-90 CHASIS**

CÓDIGO	PIEZA	NO.	DESCRIPCIÓN
5	587 82 54-01		Tablero
14	532 44 80-42		Capota
15	581 10 31-01		Lente izquierdo de la parrilla
18	581 10 29-02		Parrilla
25	581 10 30-01		Lente derecho de la parrilla
34	580 91 08-01		Chapa Motor
36	817 06 05-12		Tornillo de 5/16-18 x 3/4
37	532 42 07-96		Guardabarros
52	873 68 05-00		Tuerca de presión 5/16-18
62	872 11 06-08		Tornillo 3/8-16 x 1 grado 5
68	817 49 05-08		Tornillo de 5/16-18 x 1/2
118	819 13 13-16		Arandela 13/32 x 13/16 x calibre 16
119	873 68 06-00		Tuerca 3/8-16 unc
125	581 68 48-01		Cierre
130	532 41 63-58		Tornillo de No. 10 x 0.750
138	532 40 97-30		Portavasos
146	581 85 79-01		Perno 3/8-16 x 5/8
150	584 86 29-01		Cubierta térmica del conducto
151	532 44 54-94		Soporte
152	532 19 95-35		Protector contra oscurecimiento
159	817 00 06-12		Tornillo de 3/8-16 x 3/4
162	532 14 24-32		Tornillo de 1/4 x 1/2
175	532 19 63-04		Travesaño
176	532 40 07-76		Tornillo de 10-24 x 5/8
177	532 19 52-28		Buje de dirección
180	532 19 54-57		Chasis
181	532 40 47-96		Buje de soporte del guardabarros de carga
182	586 73 86-02		Tablero inferior
183	874 52 05-20		Perno 5/16-18 x 1-1/4
189	817 00 05-12		Tornillo de 5/16-18 x 3/4
191	581 22 35-01		Reflector (LD)
194	873 90 05-00		Tuerca de presión de 5/16-18
195	532 40 41-37		Tapón
196	532 41 45-81		Ensamble de la consola la plataforma de-elevación
202	581 85 91-01		Salida de Ventilación (LD)
203	581 85 92-01		Salida de Ventilación (LI)
213	874 76 05-12		Perno 5/16-18 unc x 3/4
217	532 40 91-67		Varilla giratoria Chasis
218	532 19 63-95		Tope
225	581 10 32-01		Guarnición
228	532 19 51-61		Sujetador del travesaño
235	532 40 61-29		Separador del guardabarros
236	873 93 05-00		Tuerca de presión 5/16-18
237	532 40 37-04		Tapón
287	817 60 04-06		Tornillo de 1/4-20 x 3/8
297	581 22 36-01		Reflector (LI)
306	873 90 06-00		Tuerca 3/8-16 unc
334	532 44 25-37		Soporte
-	532 44 11-26		Tapón

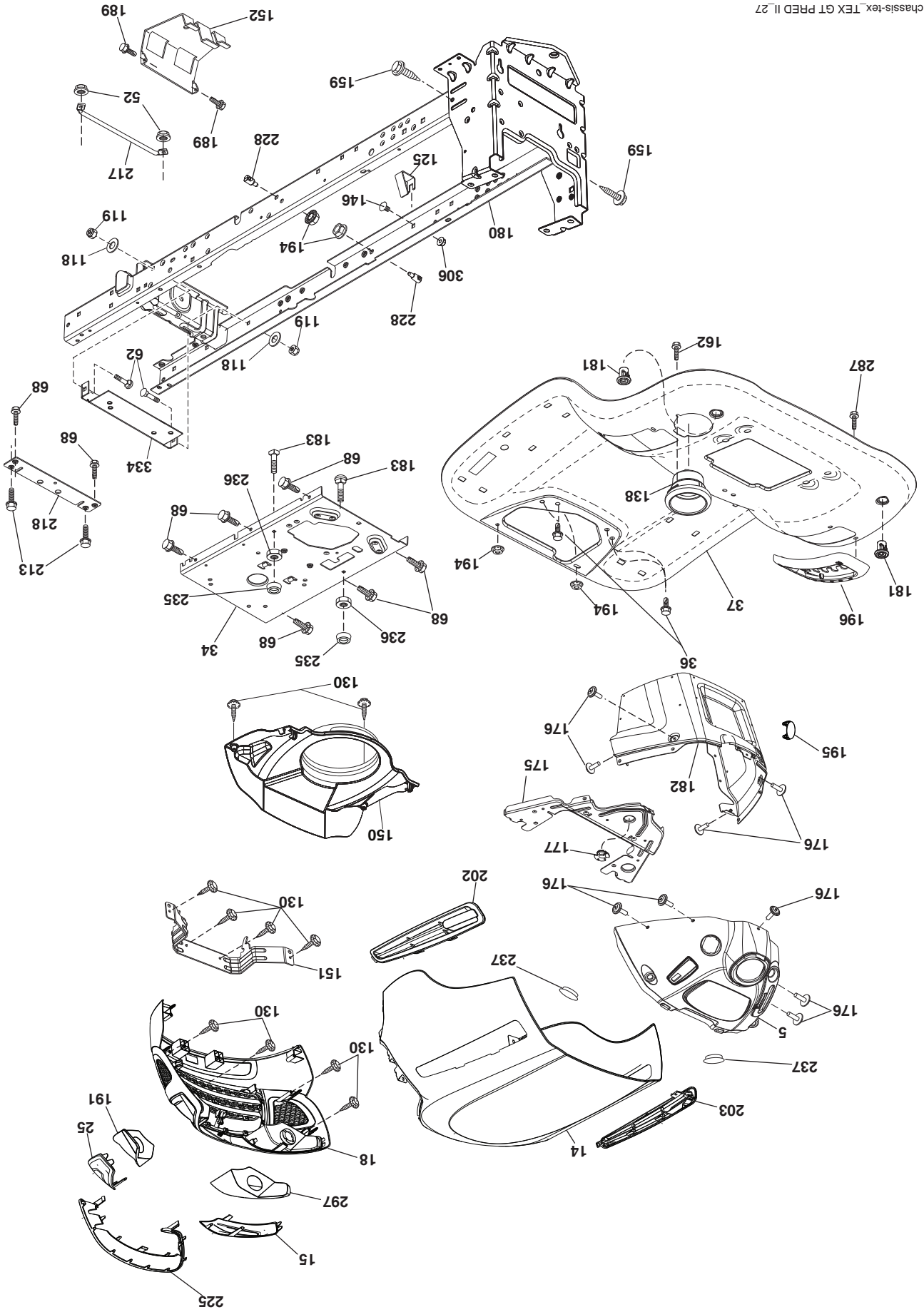
**NOTA:** Las dimensiones de todos los componentes están expresadas en pulgadas americanas. 1 pulgada = 25,4 mm

TRACTOR - MODELO NO. PP19H46 (96042019000), PRODUCTO NO. 960 42 01-90

CHASIS

chassis-tex\_TEX GT PRED II\_27

6

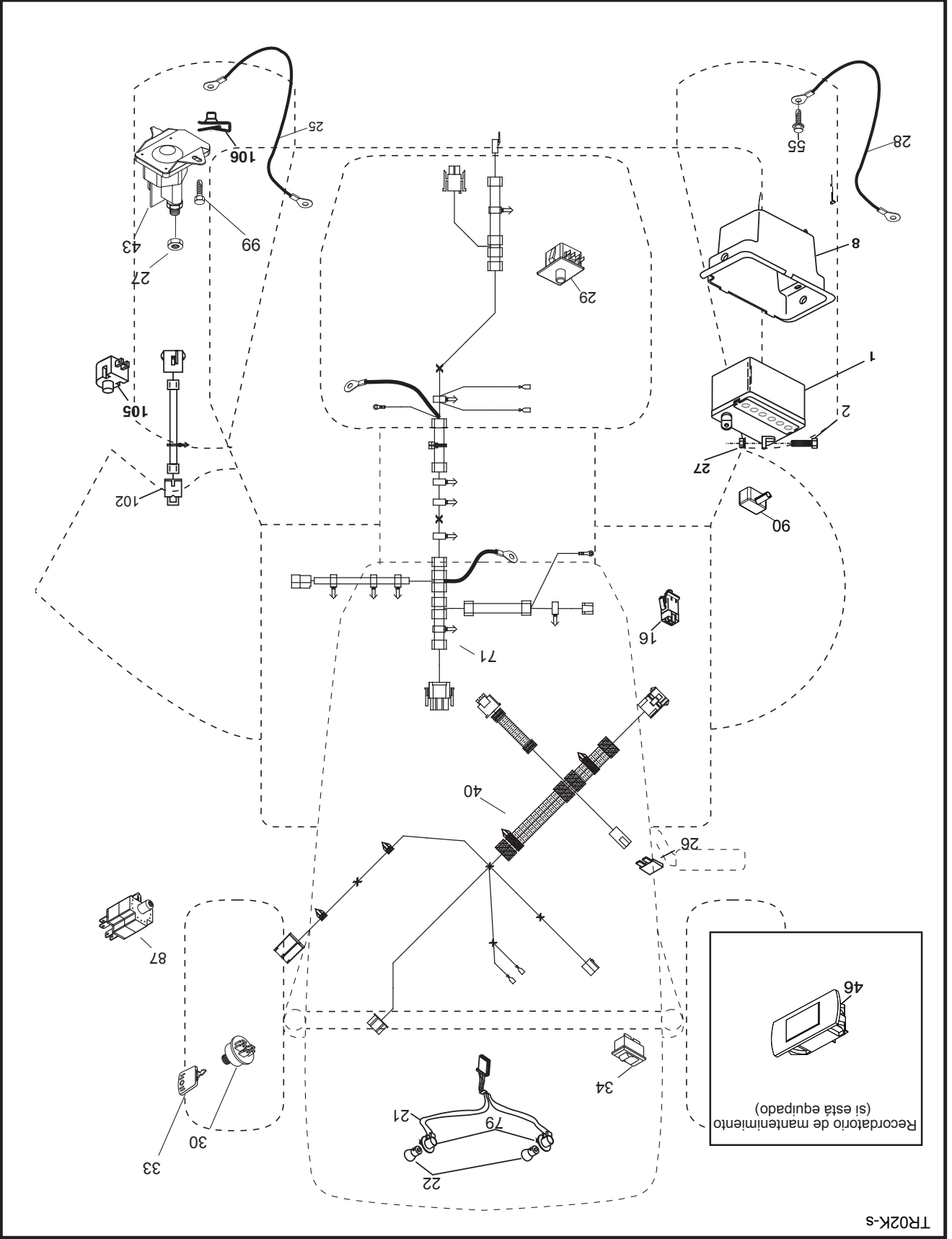


CÓDIGO PIEZA	NO.	DESCRIPCIÓN
532 16 34-65	1	Batería
874 76 04-12	2	Fermo 1/4-20 x 3/4
532 19 32-28	8	Caja de la batería
532 17 61-38	16	Interruptor
532 40 02-52	21	Arnes con 4152j
532 00 41-52	22	Luz
581 49 80-01	25	Cable encendido
532 17 51-58	26	Fusible
873 51 04-00	27	Tuerca 1/4-20 unc
532 42 16-86	28	Cable a tierra
532 19 27-49	29	Interruptor del asiento
532 19 33-50	30	Interruptor de encendido
532 41 19-33	33	Llave/cadena
532 11 07-12	34	Interruptor de luz/de restauración
585 84 94-01	40	Cableado del tablero de encendido
532 19 25-07	43	Solenoides
817 06 05-12	55	Tornillo 5/16-18 x 3/4
585 84 93-01	71	Solenoides Chasis
532 17 52-42	79	Enchufe de cierre por torsión del ensamble de la bombilla
532 19 78-02	87	Interruptor corta corriente del cable de embrague
532 43 53-95	90	Tapa de los bornes de la batería
817 67 04-12	99	Tornillo
532 40 44-54	102	Arnes
532 40 75-68	105	Interruptor Reverse
532 17 48-14	106	Tuerca

**NOTA:** Las dimensiones de todos los componentes están expresadas en pulgadas = 25,4 mm

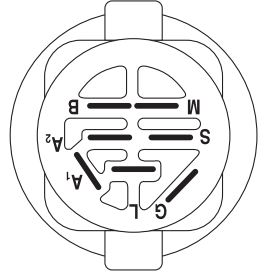
TRACTOR - MODELO NO. PP19H46 (9604201900), PRODUCTO NO. 960 42 01-90

DIAGRAMA ELÉCTRICO



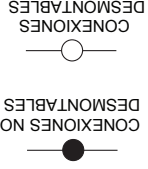
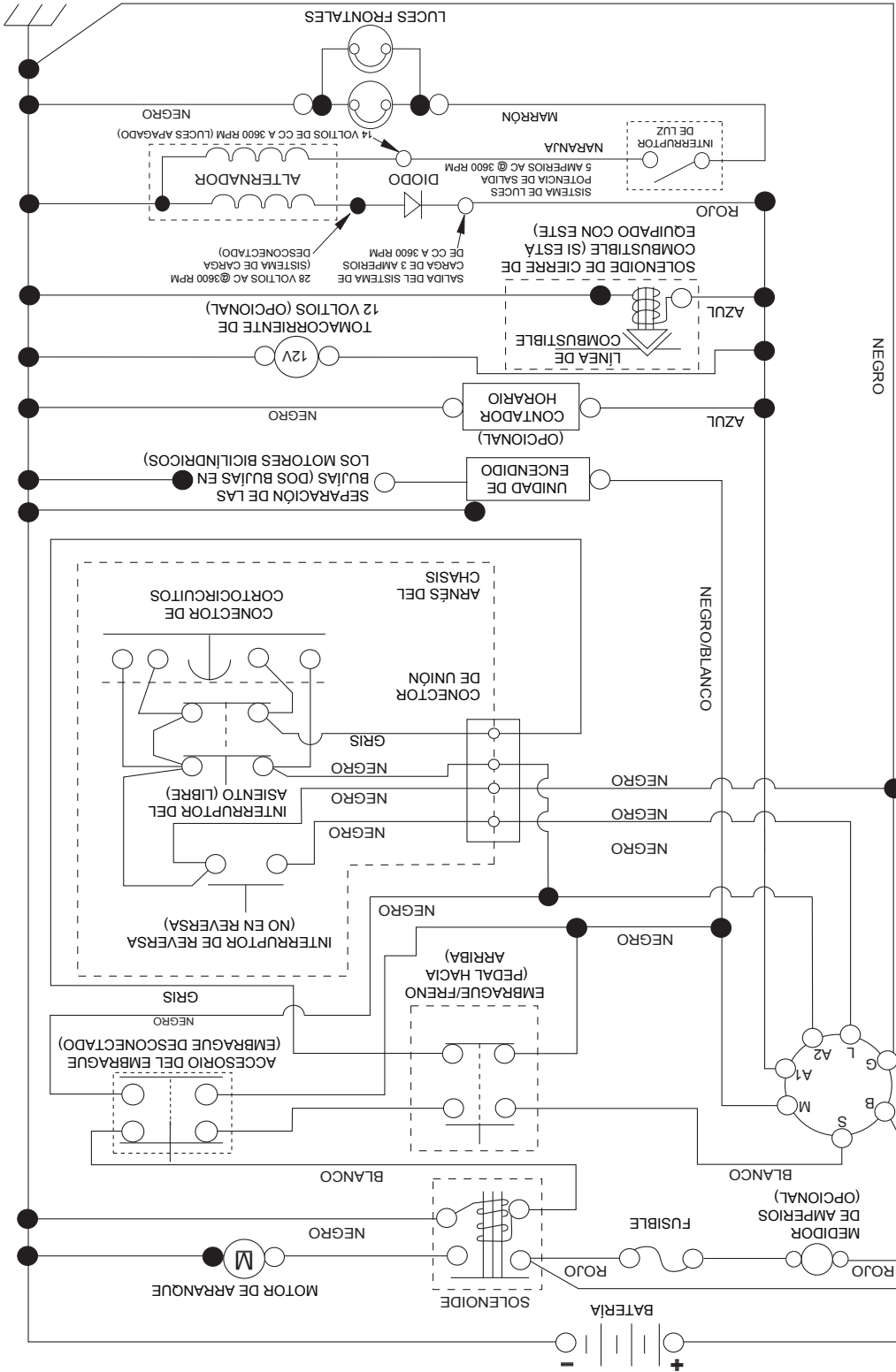
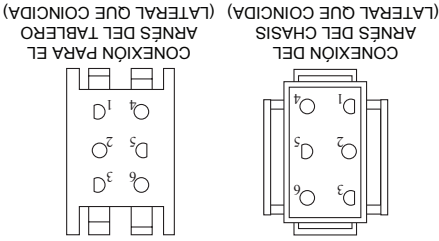
NOTAS:  
 QUE SU TRACTOR ES EQUIPADO CON UN SISTEMA ESPECIAL DE ALTERNADOR. LAS LUCES NO SON CONECTADAS A LA BATERIA, PERO TIENEN SU PROPIA FUENTE ELECTRICA. A CAUSA DE ESTO, EL BRILLO DE LAS LUCES CAMBIARA CON LA VELOCIDAD DE MOTOR. EN LENTO, LAS LUCES NO SON COMO BRILLANTES. CUANDO EL MOTOR ES ACCELERADO, LA LUZ CONSEGUIRÁ MAS BRILLANTE.

INTERRUPTOR DE ENCENDIDO



POSICIÓN	CIRCUITO «MARCA»
APAGADO	M+G+A1
PONER EN FUNCIONAMIENTO/ANULAR	B+A1
PONER EN FUNCIONAMIENTO	B+A1 L+A2
ARRANCAR	B + S + A1

3



NOTA SOBRE LAS ABRAZADERAS DE AISLAMIENTO DEL CABLEADO: SI SE QUITAN LAS ABRAZADERAS DE AISLAMIENTO DEL CABLEADO PARA HACER EL MANTENIMIENTO DE LA UNIDAD, SE LAS DEBERÁ INSTALAR NUEVAMENTE PARA PROTEGER EL CABLEADO ADECUADAMENTE.

# COMO UTILIZAR ESTE MANUAL

Este manual está diseñado para brindarle al comprador un medio para identificar las piezas del tractor para cuando necesite hacer el pedido de un repuesto. Las ilustraciones pueden o no representar los ensamblajes reales; por lo tanto, no se recomienda utilizar este manual como una guía para ensamblar o desarmar el tractor. Algunos accesorios y piezas están dibujados en tamaños más grandes para identificarlos con mayor facilidad.

Cada tractor tiene su propio número de modelo.

El número de modelo del tractor se encuentra en el guardabarros debajo del asiento. Cuando haga el pedido de una pieza, siempre brinde la siguiente información:

- Producto: "TRACTOR"
- NÚMERO DE MODELO: "PP19H46 (96042019000)"
- Número de pieza
- Descripción de la pieza

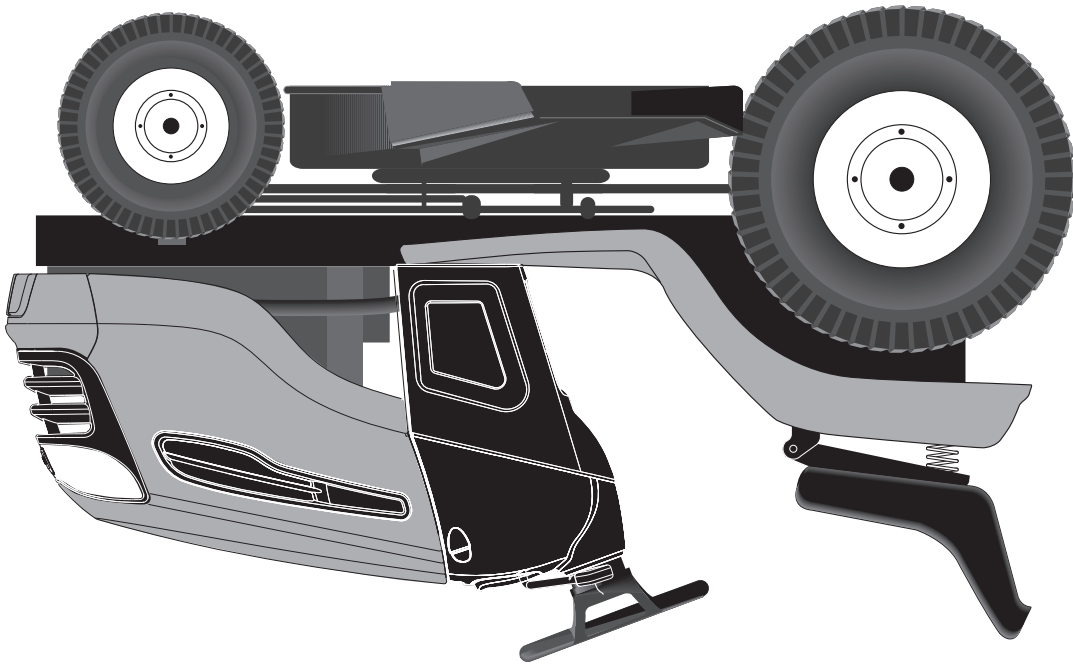
## INDICE

DIAGRAMA.....	3
DIAGRAMA ELÉCTRICO.....	4-5
CHASIS.....	6-7
TRANSMISIÓN.....	8-9
MOTOR.....	10-11
DIRECCIÓN.....	12-13
PLATAFORMA DE LA CORTADORA DE CÉSPED.....	14-15
ELEVACIÓN DE LA CORTADORA DE CÉSPED.....	16
ASIENTO.....	17
CALCOMANÍAS.....	18
PARTES Y SERVICIOS.....	20

NO TIRALO A FUERA

MANUAL IMPORTANTE

# Poulan Pro



MANUAL DE REPUESTOS

MODELO:

**PP19H46**

TRACTOR PARA CÉSPED

SIEMPRE USE PROTECCIONES PARA LOS OJOS MIENTRAS OPERE ESTE TRACTOR

Vea la página web: [www.poulanpro.com](http://www.poulanpro.com)

115 78 26-27

Leer, entender y seguir todas las instrucciones sobre la máquina y en el manual antes de empezar. Si no se observan las instrucciones de seguridad siguientes se pueden producir lesiones graves o la muerte.

**ADVERTENCIA:**

09.21.15 TH  
Impreso en los E.U.