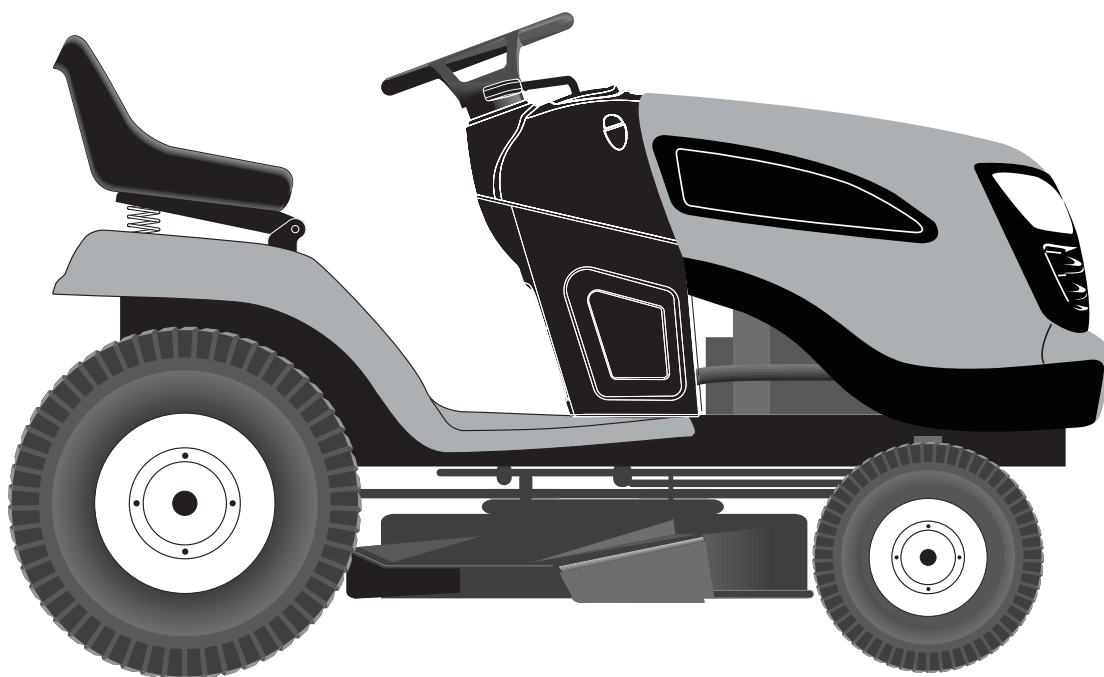


**IMPORTANT MANUAL**

**DO NOT THROW AWAY**

# **Poulan PRO**



**REPAIR PARTS MANUAL**

**MODEL:**

**PP19A42**

**LAWN TRACTOR**

**ALWAYS WEAR EYE PROTECTION DURING OPERATION**

Visit our website: [www.poulanpro.com](http://www.poulanpro.com)

**115 78 31-49**



**WARNING:**

Read this Manual and follow all Warnings and Safety Instructions. Failure to do so can result in serious injury.

08.27.15 BD

Printed in the U.S.A.

# HOW TO USE THIS MANUAL

This manual is designed to provide the customer with a means to identify the parts on his/her tractor when ordering repair parts. The illustrations may or may not represent the actual assemblies; therefore, it is not recommended to use this manual as a guide to assemble or disassemble the tractor. Some hardware and parts are drawn larger in order to more readily identify them.

Each tractor has its own model number.

The model number for your tractor can be found on the fender under the seat.

When ordering parts, always give the following information:

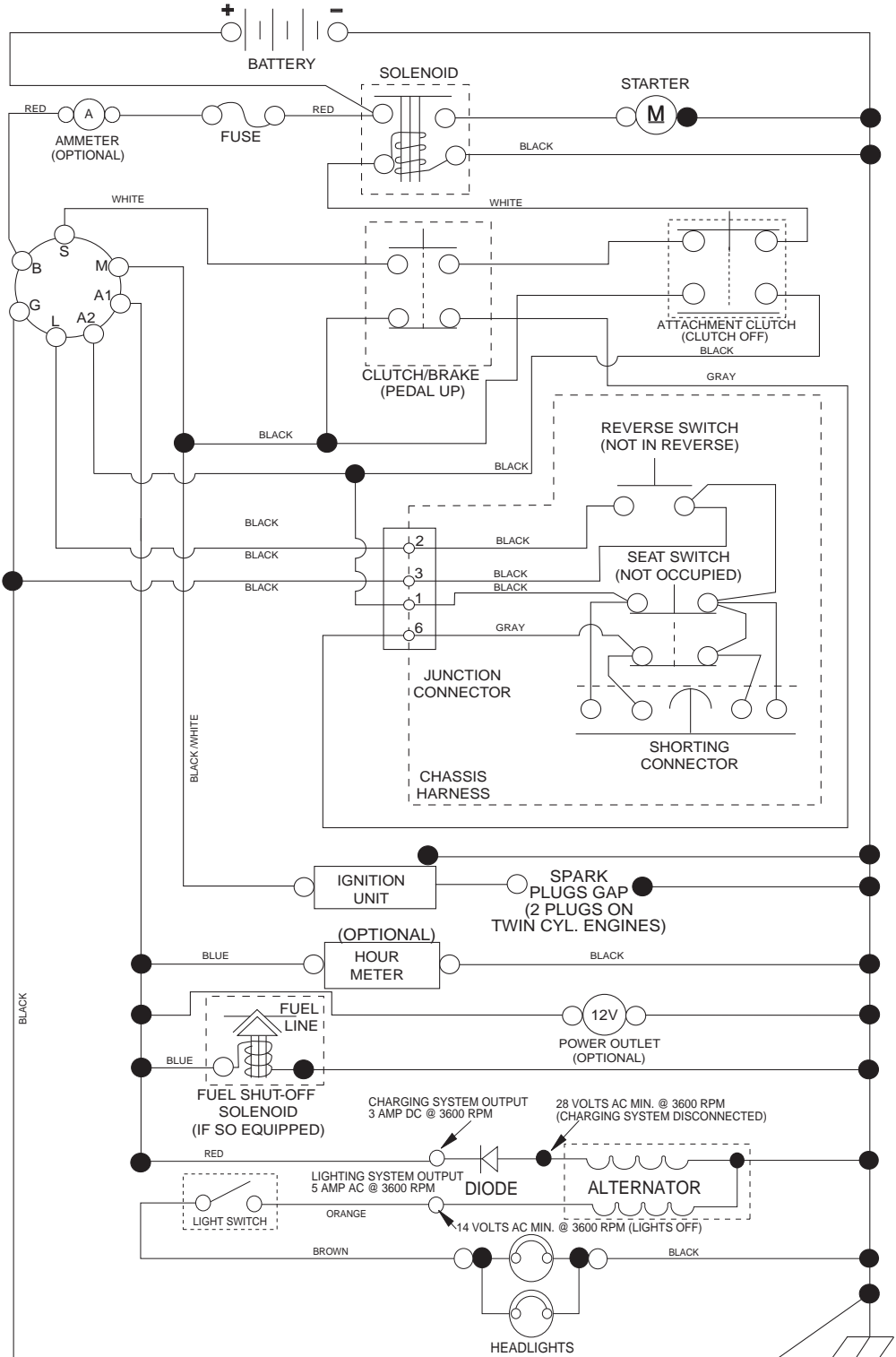
- Product - "TRACTOR"
- MODEL NUMBER - "PP19A42 (96046007700)"
- Part Number
- Part Description

## TABLE OF CONTENTS

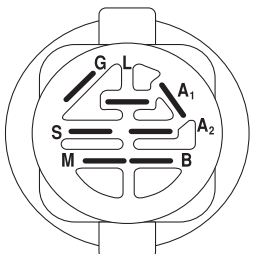
SCHEMATIC .....	3
ELECTRICAL.....	4-5
CHASSIS .....	6-7
DRIVE.....	8-9
ENGINE.....	10-11
STEERING .....	12-13
MOWER DECK .....	14-15
MOWER LIFT.....	16
SEAT .....	17
DECALS.....	18
PARTS AND SERVICE .....	20

# TRACTOR - MODEL NUMBER PP19A42 (96046007700), PRODUCT NO. 960 46 00-77 SCHEMATIC

SCH11

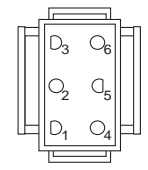


**NOTE**  
YOUR TRACTOR IS EQUIPPED WITH A SPECIAL ALTERNATOR SYSTEM. THE LIGHTS ARE NOT CONNECTED TO THE BATTERY, BUT HAVE THEIR OWN ELECTRICAL SOURCE. BECAUSE OF THIS, THE BRIGHTNESS OF THE LIGHTS WILL CHANGE WITH ENGINE SPEED. AT IDLE THE LIGHTS WILL DIM. AS THE ENGINE IS SPEEDED UP, THE LIGHTS WILL BECOME THEIR BRIGHTEST.

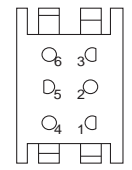


IGNITION SWITCH

POSITION	CIRCUIT	"MAKE"
OFF	M+G+A1	
RUN/OVERRIDE	B+A1	
RUN	B+A1	L+A2
START	B+S+A1	

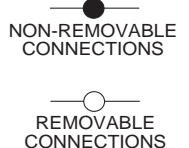


CHASSIS HARNESS CONNECTOR (MATING SIDE)



DASH HARNESS CONNECTOR (MATING SIDE)

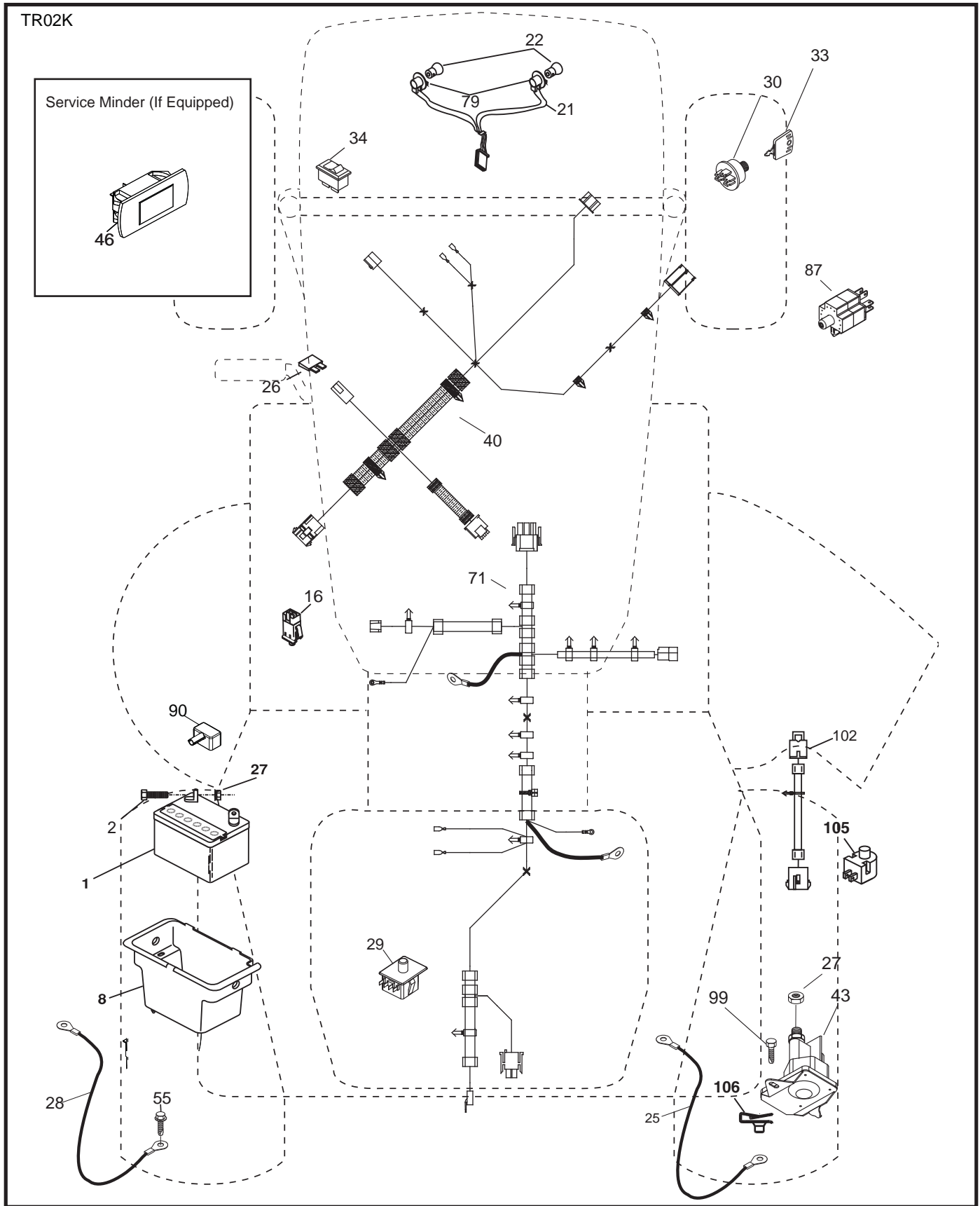
WIRING INSULATED CLIPS  
NOTE: IF WIRING INSULATED CLIPS WERE REMOVED FOR SERVICING OF UNIT, THEY SHOULD BE RE-INSTALLED TO PROPERLY SECURE YOUR WIRING.



# REPAIR PARTS

TRACTOR - MODEL NUMBER PP19A42 (96046007700), PRODUCT NO. 960 46 00-77

## ELECTRICAL



# REPAIR PARTS

TRACTOR - MODEL NUMBER PP19A42 (96046007700), PRODUCT NO. 960 46 00-77  
ELECTRICAL

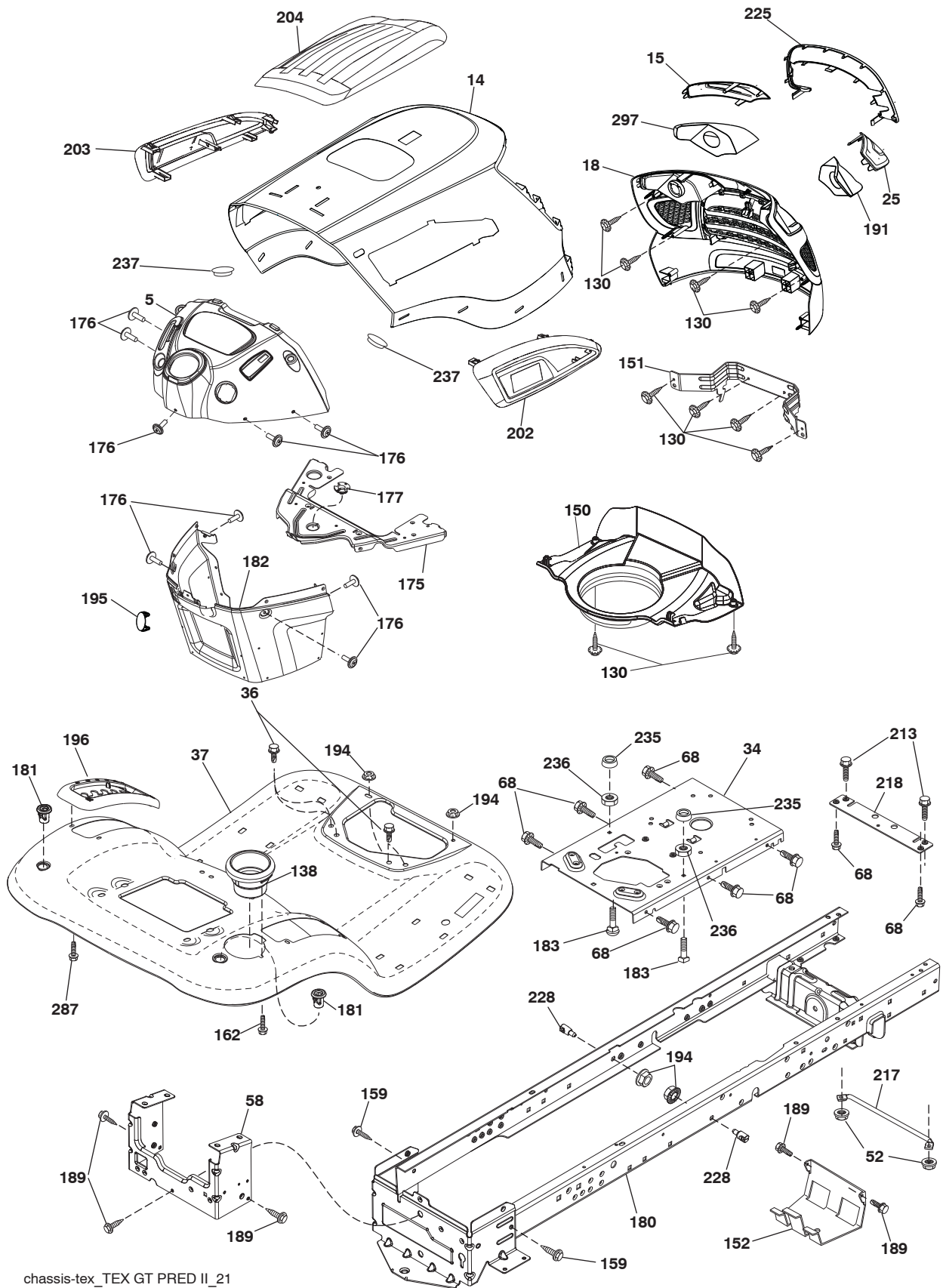
KEY NO.	PART NO.	DESCRIPTION
1	532 14 49-25	Battery
2	874 76 04-12	Bolt Hex Hd 1/4-20 unc x 3/4
8	532 19 32-28	Box Battery
16	532 17 61-38	Switch Interlock
21	532 40 02-52	Harness Asm Light w/4152j
22	532 00 41-52	Bulb Light #1156
25	581 49 80-01	Cable Starter
26	532 17 51-58	Fuse 20 AMP
27	873 51 04-00	Nut Keps Hex 1/4-20 unc
28	532 42 16-86	Cable Ground 6 Ga. 12" Black
29	532 19 27-49	Switch Seat
30	532 19 33-50	Switch Ign
33	532 41 19-33	Key/Chain
34	532 11 07-12	Switch Light/Reset
40	581 02 31-01	Harness Ign Dash
43	532 19 25-07	Solenoid
55	817 06 05-12	Screw 5/16-18 x 3/4
71	581 02 30-01	Harness Chassis
79	532 17 52-42	Socket Asm. Bulb Twistlock
87	532 19 78-02	Switch Interlock
90	532 43 53-95	Cover Terminal Battery
99	817 67 04-12	Screw Hexwsh Thdrol 1/4-20 x 3/4
102	581 02 34-01	Harness Pigtail
105	532 40 75-68	Switch Reverse
106	532 17 48-14	Palnut 1/4 Lugs

**NOTE:** All component dimensions given in U.S. inches  
1 inch = 25.4 mm.

# REPAIR PARTS

TRACTOR - MODEL NUMBER PP19A42 (96046007700), PRODUCT NO. 960 46 00-77

## CHASSIS



chassis-tex\_TEX GT PRED II\_21

# REPAIR PARTS

TRACTOR - MODEL NUMBER PP19A42 (96046007700), PRODUCT NO. 960 46 00-77  
CHASSIS

KEY NO.	PART NO.	DESCRIPTION
5	532 44 18-82	Dash
14	501 12 85-01	Hood
15	581 10 31-01	Lens LH
18	581 10 29-02	Grille
25	581 10 30-01	Lens RH
34	580 91 08-01	Plate Engine
36	817 06 05-12	Screw 5/16-18 x 3/4
37	532 42 07-96	Fender
52	873 68 05-00	Nut Lock 5/16-18
58	532 41 22-80	Drawbar Upper
68	817 49 05-08	Screw Thdrol 5/16-18 x 1/2
130	532 41 63-58	Screw #10 x 0.750
138	532 40 97-30	Cupholder
150	584 86 29-03	Duct Heat Hood
151	532 44 54-94	Bracket Pivot
152	532 19 95-35	Shield Browning
159	817 00 06-12	Screw Hexwsh Thdrol 3/8-16 x 3/4
162	532 14 24-32	Screw Hex Wsh Hi-Lo 1/4 x 1/2
175	532 19 63-04	Crossmember
176	532 40 07-76	Screw 10-24 x 5/8 Wshd Qdix
177	532 19 52-28	Bushing Steering
180	532 41 50-63	Chassis
181	532 40 47-96	Bushing Mtg. Fender Crgo.
182	586 73 86-02	Dash Lower
183	874 52 05-20	Bolt 5/16-18 x 1-1/4
189	817 00 05-12	Screw 5/16-18 x 3/4
191	581 22 35-01	Insert Reflector RH
194	873 90 05-00	Nut Lock Hex Flange 5/16-18
195	532 40 41-37	Plug Hole Dash Lower
196	532 41 45-81	Console Asm. Deck Lift
202	501 51 01-01	Vent Side Hood RH
203	501 51 01-02	Vent Side Hood LH
204	587 96 32-01	Vent Asm. Top
213	874 76 05-12	Bolt 5/16-18 x 3/4
217	532 40 91-67	Rod Pivot Hood
218	532 19 63-95	X-Piece Hood Step
225	581 10 32-01	Trim Ring
228	532 19 51-61	Stud Fastener
235	532 40 61-29	Spacer Fender
236	873 93 05-00	Nut Center Lock 5/16-18
237	532 40 37-04	Plug Mount Cargo
287	817 60 04-06	Screw 1/4-20 x 3/8
297	581 22 36-01	Insert Reflector LH
--	532 44 11-26	Plug Dash Srvmdr

**NOTE:** All component dimensions given in U.S. inches  
1 inch = 25.4 mm





# REPAIR PARTS

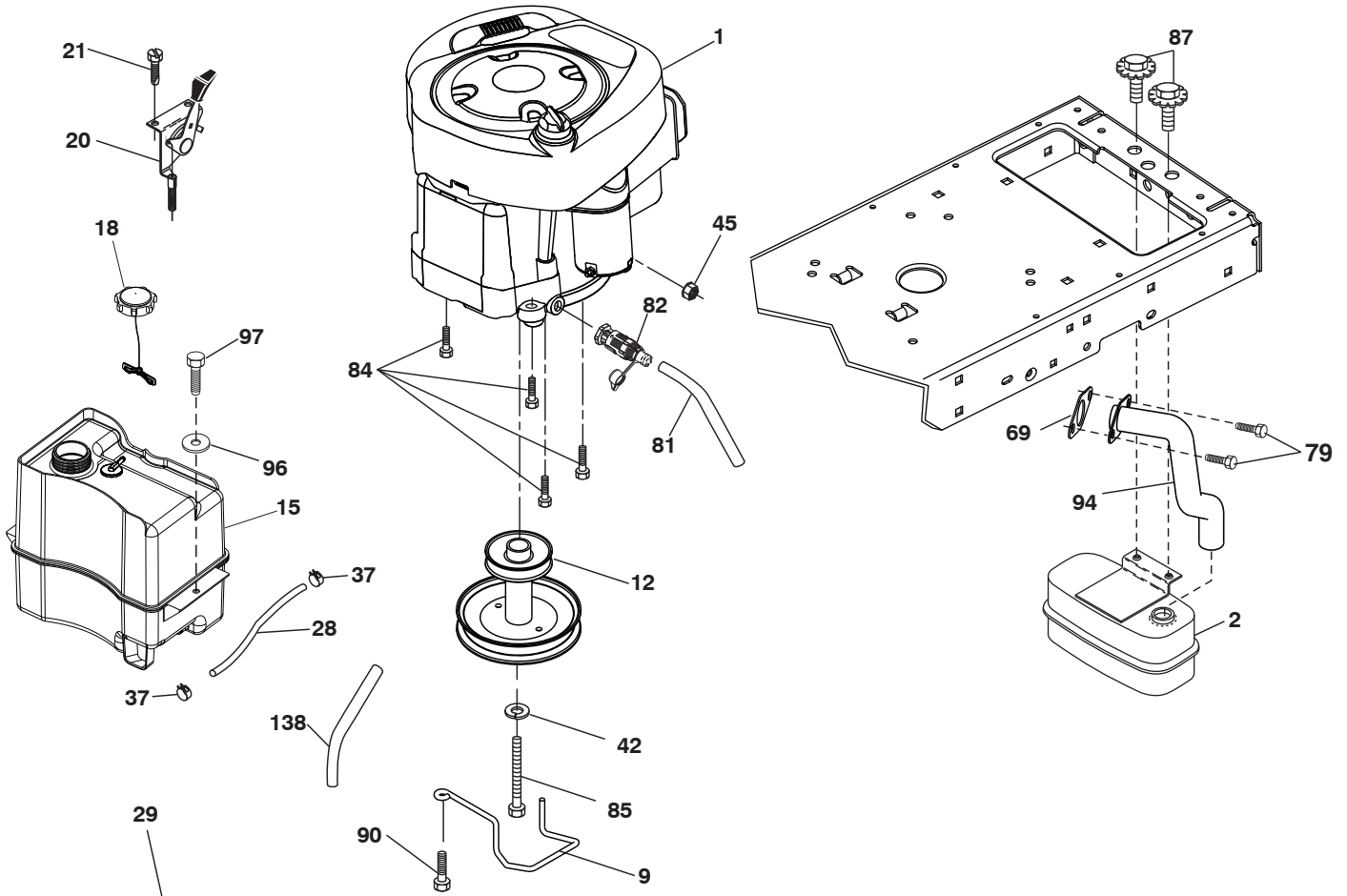
TRACTOR - MODEL NUMBER PP19A42 (96046007700), PRODUCT NO. 960 46 00-77  
DRIVE

KEY NO.	PART NO.	DESCRIPTION	KEY NO.	PART NO.	DESCRIPTION
1	---	Transaxle, Variator SD Pedal (580486201) (Order parts from transaxle manufacturer.)	186	532 19 43-21	Spacer Retainer
2	532 12 35-83	Key Square	187	819 13 32-10	Washer 13/32 x 2 x 10 ga
5	874 76 06-36	Bolt Hex Hs 3/8-16 unc x 2-1/4	188	532 19 43-23	Link Clutch Ground Drive
6	532 12 40-28	Bushing Snap	189	532 19 43-17	Bellcrank Ground Drive
15	819 13 13-16	Washer 13/32 x 13/16 x 16 Ga.	190	532 19 43-18	Keeper. Bellcrank
17	584 95 40-01	Spring, Brake	195	581 50 46-01	Bracket Brake
29	584 82 31-01	Rod, Brake	203	819 11 11-16	Washer 11/32 x 11/16 x 16 Ga.
33	812 00 00-01	Ring E	205	532 12 17-48	Washer 25/32 x 1-5/8 16 Ga.
35	583 86 45-01	Rod, Brake, Park	210	532 44 82-70	Rocker Asm. Pedal
37	532 18 89-67	Washer .793 x 1.637 x 060	214	532 42 12-63	Pedal Forward
42	532 12 48-72	Cover, Foot Pedal	215	532 44 82-54	Pad Pedal Reverse
49	872 11 06-14	Bolt 3/8-16 unc	211	532 12 01-83	Bearing Nylon
50	532 19 43-27	Idler Flat	221	532 40 31-87	Retainer Spring
51	873 90 06-00	Nut Lock 3/8-16 unc	222	879 21 20-10	Washer Flat
52	532 19 43-26	Idler V-Groove	277	532 44 85-00	Subasm. Link Rocker Pedal
56	532 19 72-53	V-Belt, Drive	282	874 49 05-48	Screw Thdrol 5/16-18 x 3
64	532 44 83-53	Subasm. Shaft Pedal Brake	299	532 41 56-83	Bracket Mount
67	819 13 13-12	Washer 13/32 x 13/16 x 12 Ga.	300	532 41 56-81	Keeper Idler
73	874 49 05-44	Bolt Hex 5/16-18 x 3.75	301	532 41 56-80	Pulley Idler Groove
99	532 43 59-35	Rod Bypass	302	581 42 05-01	Puller Idler Flat
116	873 90 05-00	Nut Lock Hex Flange 5/16-18	303	872 11 06-18	Bolt
125	817 00 05-12	Screw 5/16-18 x 3/4	306	876 02 04-16	Pin Cotter 1/8 x 1
143	817 49 05-08	Screw Thdrol 5/16-18 x 1/2 TYTT	345	872 11 06-06	Bolt 3/8-16 unc
159	876 02 04-12	Pin Cotter 1/8 x 3/4	373	581 46 18-01	Spacer Idler
160	532 16 94-84	Retainer Clip	374	581 47 52-01	Arm Control Brake
161	532 10 57-09	Spring, Return, Clutch	375	873 68 06-00	Nut Crownlock 3/8-16 unc
163	587 84 79-01	Rod Control	378	584 28 77-01	Nut Push 8 mm
166	532 42 91-64	Nut Push .625			
167	532 40 52-57	Latch Brake Parking			
172	583 97 42-01	Strap Torque			
184	587 65 37-01	Handle Park Brk.			
185	872 11 06-22	Bolt 3/8-16 unc x 2-3/4			

**NOTE:** All component dimensions given in U.S. inches  
1 inch = 25.4 mm

# REPAIR PARTS

TRACTOR - MODEL NUMBER PP19A42 (96046007700), PRODUCT NO. 960 46 00-77  
ENGINE



**OPTIONAL EQUIPMENT**  
**SPARK ARRESTER**

engine-tex\_BS\_109

# REPAIR PARTS

TRACTOR - MODEL NUMBER PP19A42 (96046007700), PRODUCT NO. 960 46 00-77  
ENGINE

KEY NO.	PART NO.	DESCRIPTION
1	-----	Engine, B&S 33R877-0009-G1 (586070701) (Order parts from engine manufacturer.)
2	580 53 23-01	Muffler Exhaust B&S
9	584 91 16-01	Keeper Belt Engine
12	586 72 90-01	Pulley Engine
15	532 43 30-07	Tank Fuel Front
18	581 17 61-01	Cap Asm Fuel
20	532 18 38-97	Control Th/Ch
21	532 41 63-58	Screw #10 x 0.750
28	532 40 11-37	Line Fuel
29	532 13 71-80	Kit Spark Arrestor (Flat Scrn)
37	532 12 34-87	Clamp Hose
42	810 04 07-00	Washer Lock Hvy Hlcl Spr 7/16
45	873 51 04-00	Nut Keps Hex 1/4-20 unc
69	532 16 52-91	Gasket Eng 1 313 Id Tin Plated
79	532 19 23-34	Screw Socket Head 5/16-18 x 3/4
81	532 14 84-56	Tube Drain Oil Easy
82	532 42 82-87	Valve Oil Drain
84	817 06 06-20	Screw 3/8-16 x 1-1/4
85	532 17 39-37	Bolt Hex 7/16-20 x 4 x Gr 5-1.5 Thr.
87	532 17 18-77	Bolt 5/16-18 unc x 3/4 w/Sems
90	817 00 06-16	Screw 3/8-16 x 1
94	581 88 09-01	Exhaust Tube
96	819 09 14-16	Washer 9/32 x 7/8 x 16 Ga.
97	817 67 04-12	Screw Thdrol 1/4-20 x 3/4
138	532 41 41-19	Purge Line

**NOTE:** All component dimensions given in U.S. inches  
1 inch = 25.4 mm

For engine service and replacement parts, call the toll free  
number for your engine manufacturer listed below:

Briggs & Stratton            1-800-233-3723

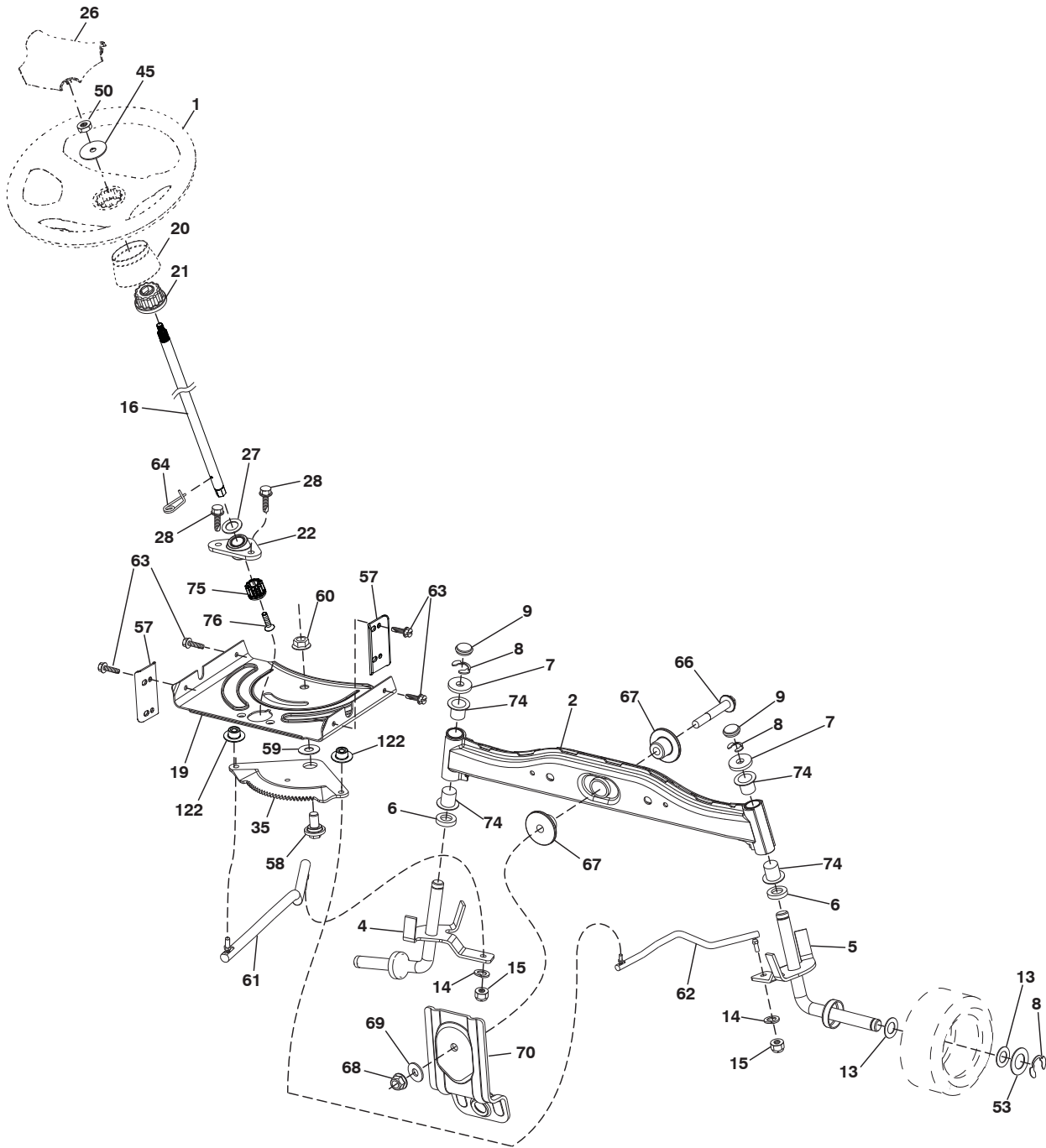
## Engine Power Rating Information

The gross power rating for individual gas engine models is labeled in accordance with SAE (Society of Automotive Engineers) code J1940 (Small Engine Power & Torque Rating Procedure), and rating performance has been obtained and corrected in accordance with SAE J1995 (Revision 2002-05). Torque values are derived at 3060 RPM; horsepower values are derived at 3600 RPM. Actual gross engine power will be lower and is affected by, among other things, ambient operating conditions and engine-to-engine variability. Given both the wide array of products on which engines are placed and the variety of environmental issues applicable to operating the equipment, the gas engine will not develop the rated gross power when used in a given piece of power equipment (actual "on-site" or net power). This difference is due to a variety of factors including, but not limited to, accessories (air cleaner, exhaust, charging, cooling, carburetor, fuel pump, etc.), application limitations, ambient operating conditions (temperature, humidity, altitude), and engine-to-engine variability. Due to manufacturing and capacity limitations, Briggs & Stratton may substitute an engine of higher rated power for this Series engine.

# REPAIR PARTS

TRACTOR - MODEL NUMBER PP19A42 (96046007700), PRODUCT NO. 960 46 00-77

## STEERING



steering-tex\_STDSRR\_47

# REPAIR PARTS

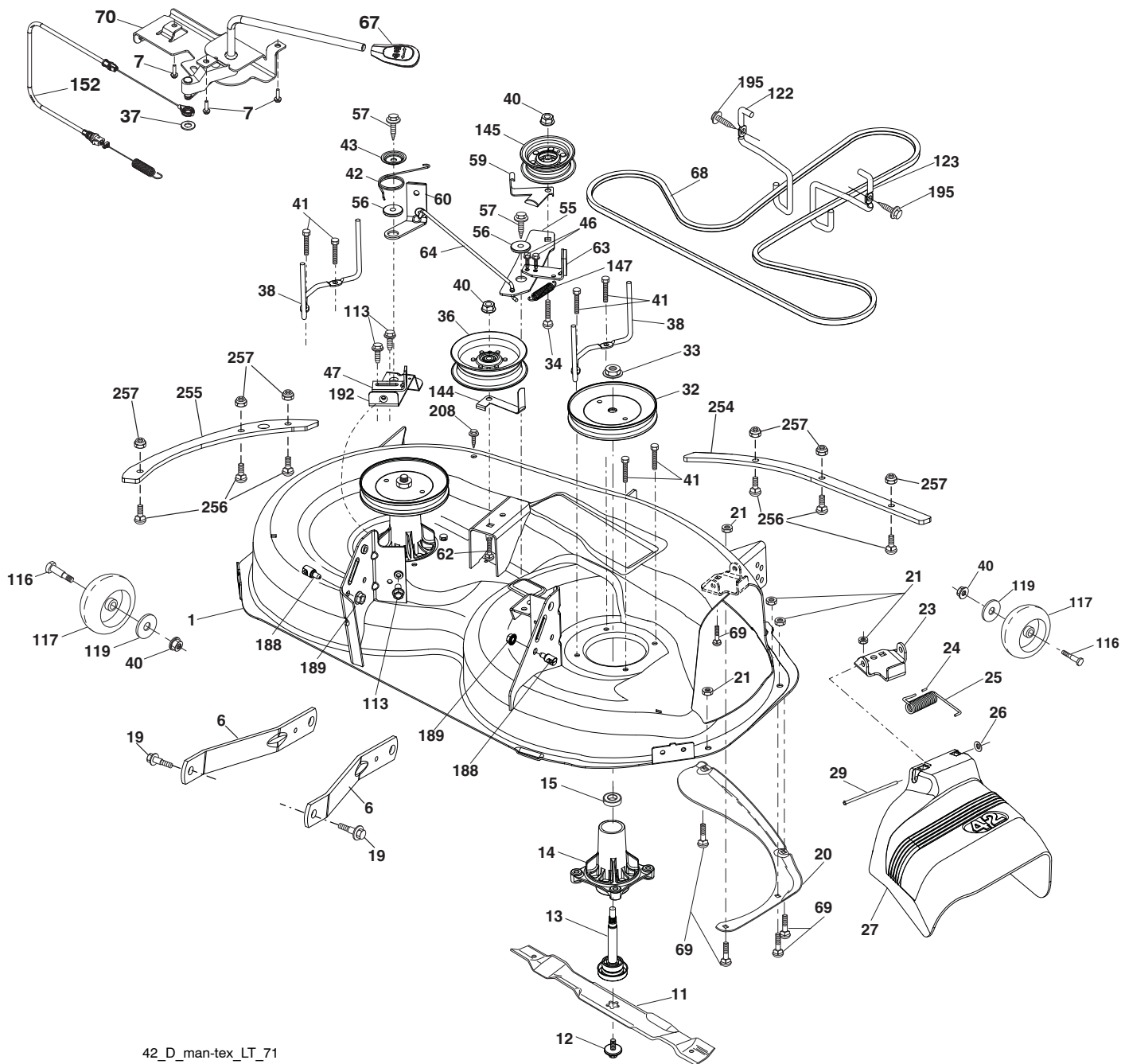
TRACTOR - MODEL NUMBER PP19A42 (96046007700), PRODUCT NO. 960 46 00-77  
STEERING

KEY NO.	PART NO.	DESCRIPTION
1	532 42 45-43	Wheel, Steering
2	532 41 81-68	Axle Asm., Front
4	532 40 30-87	Spindle Asm., LH
5	532 40 30-88	Spindle Asm., RH
6	532 12 49-31	Washer Thrust 0.75 x 1.23
7	532 12 17-48	Washer 25/32 x 1-5/8 x 16 Ga.
8	812 00 00-29	Ring, Clip #T5304-75
9	532 12 12-32	Cap, Spindle
13	532 12 17-49	Washer 25/32 x 1-1/4 x 16 Ga.
14	810 04 06-00	Washer Lock 3/8
15	873 54 06-00	Nut, Crown Lock 3/8-24 unf
16	587 01 60-01	Shaft Steering
19	532 19 47-29	Plate Steering
20	532 42 47-40	Boot, Steering
21	586 84 02-01	Adapter, Wheel Steering
22	585 02 98-02	Bearing Subasm Shaft Steer Low
26	532 42 46-91	Insert, Wheel Steering
27	819 21 16-16	Washer 21/32 x 1 x 16 Ga.
28	817 00 06-12	Screw 3/8-16 x 3/4
35	532 19 47-32	Gear, Sector Plate
45	587 01 64-01	Washer 3/8 ID x 2-3/8 OD 12 Ga.
50	873 90 06-00	Nut Lock Flg. 3/8-16 unc
53	532 18 89-67	Washer Hardened .793 x 1.637 x .060
57	532 40 74-65	Bracket Upstop
58	532 19 47-47	Bolt Shoulder Sector Pivot CFM
59	532 19 47-48	Washer Thrust Sector Steering
60	873 97 10-00	Nut Flange Lock 5/8-11
61	532 19 47-40	Draglink, LH
62	532 19 47-41	Draglink, RH
63	817 00 05-12	Screw 5/16-18 x 3/4
64	532 19 98-49	Retainer Clip Spring Steering
66	871 02 07-48	Bolt Hex Fghd 7/16-14 x 3 Serr
67	532 19 47-37	Bushing PM Front Axle
68	873 90 07-00	Nut Lock Flange 7/16-14 Gr. 5
69	532 19 91-62	Washer 1.5 x .505 x .118
70	585 33 88-01	Bracket Deck Susp. Front
74	532 12 49-37	Bearing
75	580 68 37-01	Pinion
76	580 68 36-01	Screw Head Sock
122	532 44 49-62	Cap Gear

**NOTE:** All component dimensions given in U.S. inches  
1 inch = 25.4 mm

# REPAIR PARTS

TRACTOR - MODEL NUMBER PP19A42 (96046007700), PRODUCT NO. 960 46 00-77  
MOWER DECK



42\_D\_man-tex\_LT\_71

# REPAIR PARTS

TRACTOR - MODEL NUMBER PP19A42 (96046007700), PRODUCT NO. 960 46 00-77  
MOWER DECK

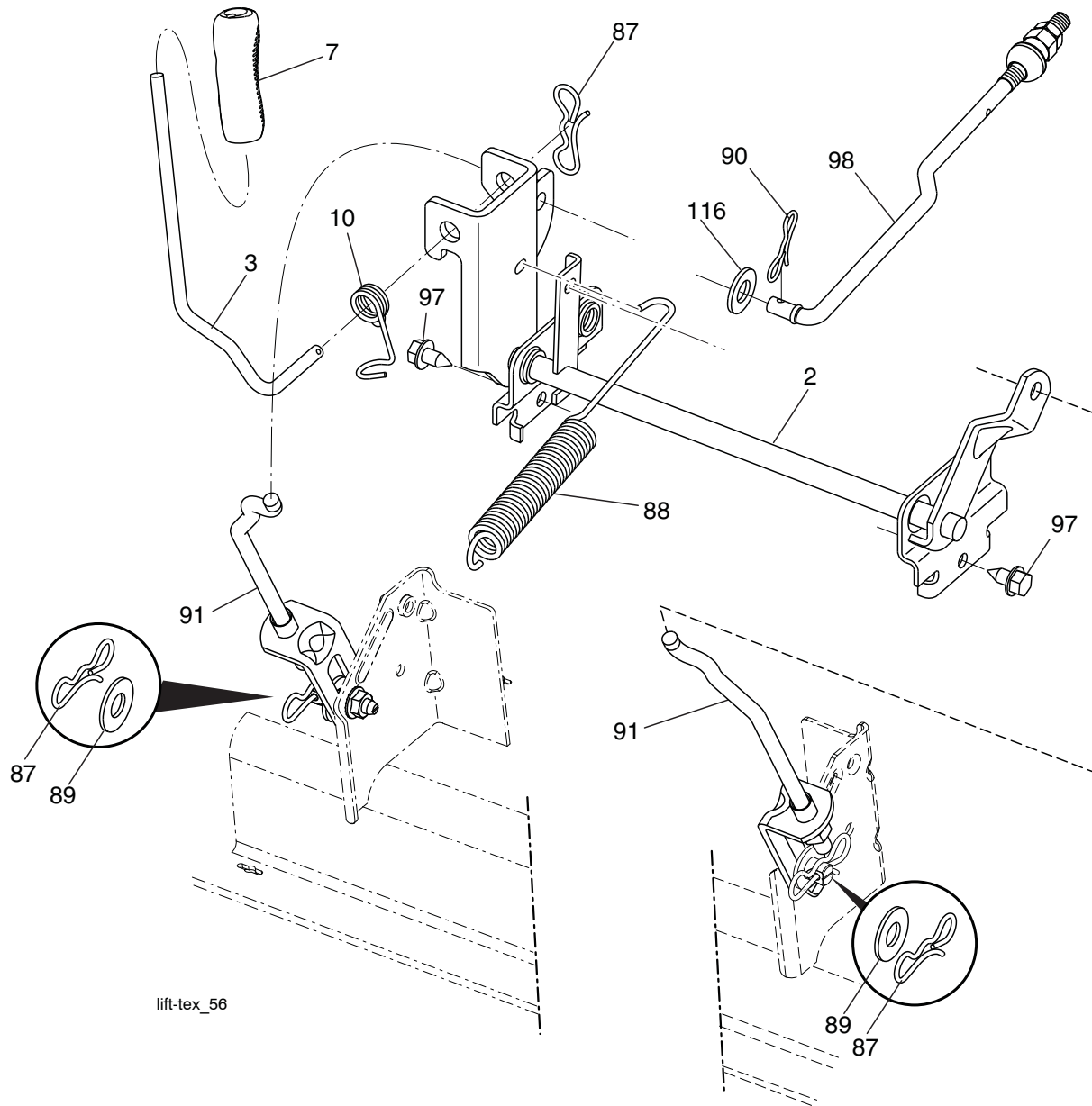
KEY NO.	PART NO.	DESCRIPTION	KEY NO.	PART NO.	DESCRIPTION
1	532 42 46-96	Mower Housing	59	532 14 10-43	Guard, Tuv Idler (94)
6	532 19 51-86	Arm Suspension	60	532 19 72-61	Arm Brake Mower
7	532 41 63-58	Screw #10 x 0.750 BOS Thread	62	872 11 06-16	Bolt Rdhd Sqnk 3/8-16 unc x 2
11	532 13 89-71	Blade, 42" Hi-Lift (For bagging or discharge)	63	532 19 94-77	Arm Brake Mower
--	532 13 97-75	Blade, 42" Mulching Premium (For better wear when mulching)	64	532 19 99-18	Linkage Brake
--	532 13 41-49	Blade, 42" Mulching Std (For mulching mowers only)	67	532 40 30-12	Handle, Clutch Cable
--	532 42 47-52	Blade 42SP" 3N1	68	532 42 96-36	V-Belt
--	532 42 27-19	Blade 42SP" Premium	69	872 14 05-05	Bolt Rdhd Sqnk 5/16-18 x 5/8
12	584 30 93-01	Screw Sems 7/16-20 x 1 Hx Hd	70	532 19 99-72	Clutch Asm. Manual
13	532 19 28-72	Shaft Assembly, Mandrel	113	817 00 05-10	Screw 5/16-18
14	532 18 72-81	Housing, Mandrel	116	532 12 48-42	Bolt Shoulder
15	532 11 04-85	Bearing, Ball, Mandrel	117	532 18 86-06	Wheel Gauge
19	532 19 65-39	Bolt, Shoulder	119	819 12 14-14	Washer 3/8 x 7/8 x 14 Ga.
20	532 15 97-70	Baffle, Vortex	122	532 19 72-58	Keeper Belt Eng. LH
21	873 68 05-00	Nut, Crownlock 5/16-18 unc	123	532 19 72-59	Keeper Belt Eng. RH
23	532 19 25-57	Bracket, Deflector	144	532 19 92-04	Keeper Belt
24	532 10 53-04	Cap, Sleeve	145	532 19 31-97	Pulley Idler Primary
25	532 19 70-26	Spring, Torsion, Deflector	147	532 40 19-71	Spring Return
26	532 11 04-52	Nut, Push	152	584 24 35-01	Cable Clutch Manual
27	532 40 30-04	Shield, Deflector	188	532 19 51-61	Stud Fastener
29	532 13 14-91	Rod, Hinge	189	873 90 05-00	Nut Lock Hex Flange
32	532 19 74-73	Pulley, Mandrel	192	532 19 72-60	Bracket Brake Stand LH
33	532 40 02-34	Nut, Toplock, Flanged	195	817 00 06-12	Screw Hexwsh Thdr 3/8-16 x 3/4
34	872 11 06-12	Bolt Carr Sh. 3/8-16 x 1-1/2 Gr. 5	208	817 67 06-08	Screw THDROL 3/8-16 x 1/2
36	532 19 73-79	Pulley, Idler 4.50 RAW	254	585 31 68-05	Plate Reinforcement Front
37	819 13 13-16	Washer 13/32 x 13/16 x 16 Ga.	255	585 31 70-05	Plate Reinforcement Side
38	532 43 25-20	Keeper Belt Mandrel	256	539 10 98-00	Carriage Bolt 1/4-20 x 1 Gr. 5
40	873 90 06-00	Nut, Lock Flg. 3/8-16 unc	257	873 90 04-00	Nut Hex Flg 1/4-20 unc
41	584 95 39-01	Bolt Hex Wsh Hd 3/13-18 x 1.19	--	587 25 33-01	Mandrel Assembly (Includes housing (key#14), shaft assembly (key#13), and bearing only (key#15) - pulley/nut/washer and blade bolt/washers not included)
42	532 19 84-10	Spring Torsion Brake	--	501 45 13-01	Replacement Mower, Complete
43	532 19 72-56	Spring Torsion Retainer			
46	532 13 77-29	Screw Thd Roll 1/4-20 x 5/8			
47	532 19 72-50	Bracket Clutch Cable			
55	532 43 71-10	Arm, Idler			
56	532 19 90-92	Spacer, Retainer			
57	817 00 06-16	Screw Hexwsh Thd 3/8-16 x 1			

**NOTE:** All component dimensions given in U.S. inches  
1 inch = 25.4 mm

# REPAIR PARTS

TRACTOR - MODEL NUMBER PP19A42 (96046007700), PRODUCT NO. 960 46 00-77

## MOWER LIFT



lift-tex\_56

KEY NO.	PART NO.	DESCRIPTION
2	532 42 20-27	Shaft Asm., Cross Lift
3	532 19 52-31	Lever Asm., Lift RH
7	580 96 23-01	Grip, Lever
10	532 19 63-14	Spring Torsion
87	532 19 42-09	Pin Cotter 7/16 Bow Tie Lock
88	532 41 07-10	Spring Lift Assist
89	819 19 19-12	Washer Clear Zinc
90	532 19 42-08	Pin Cotter 5/16 Bow Tie Lock

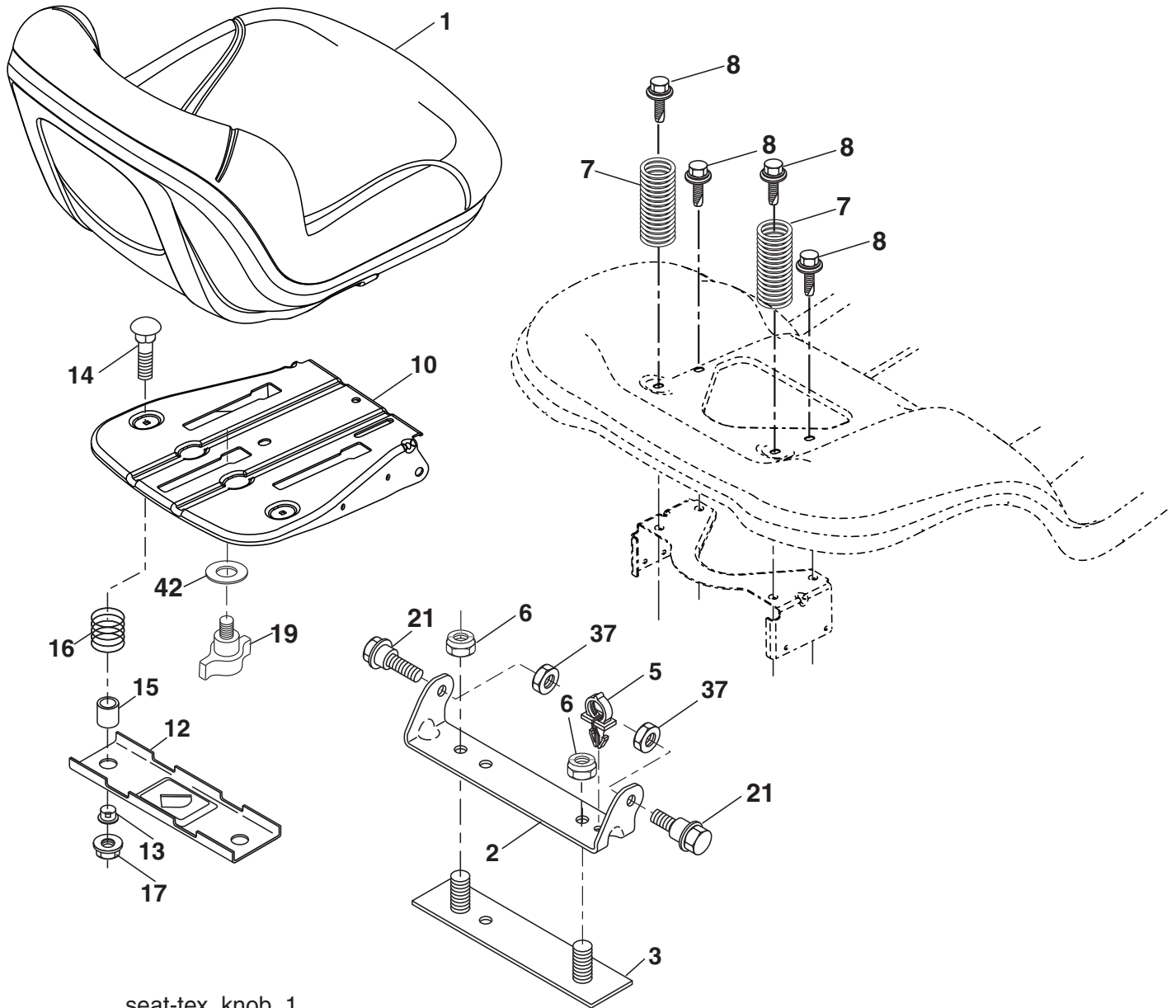
KEY NO.	PART NO.	DESCRIPTION
91	532 19 79-84	Link Lift Susp Mower Rear
97	817 00 06-12	Screw 3/8-16 x .75 Smgml Tap/R.Z
98	532 42 05-25	Link Lift Susp. Front Mower
116	819 15 15-16	Washer 15/32 x 15/16 x 16 Ga.

**NOTE:** All component dimensions given in U.S. inches  
1 inch = 25.4 mm



# REPAIR PARTS

TRACTOR - MODEL NUMBER PP19A42 (96046007700), PRODUCT NO. 960 46 00-77  
SEAT



seat-tex\_knob\_1

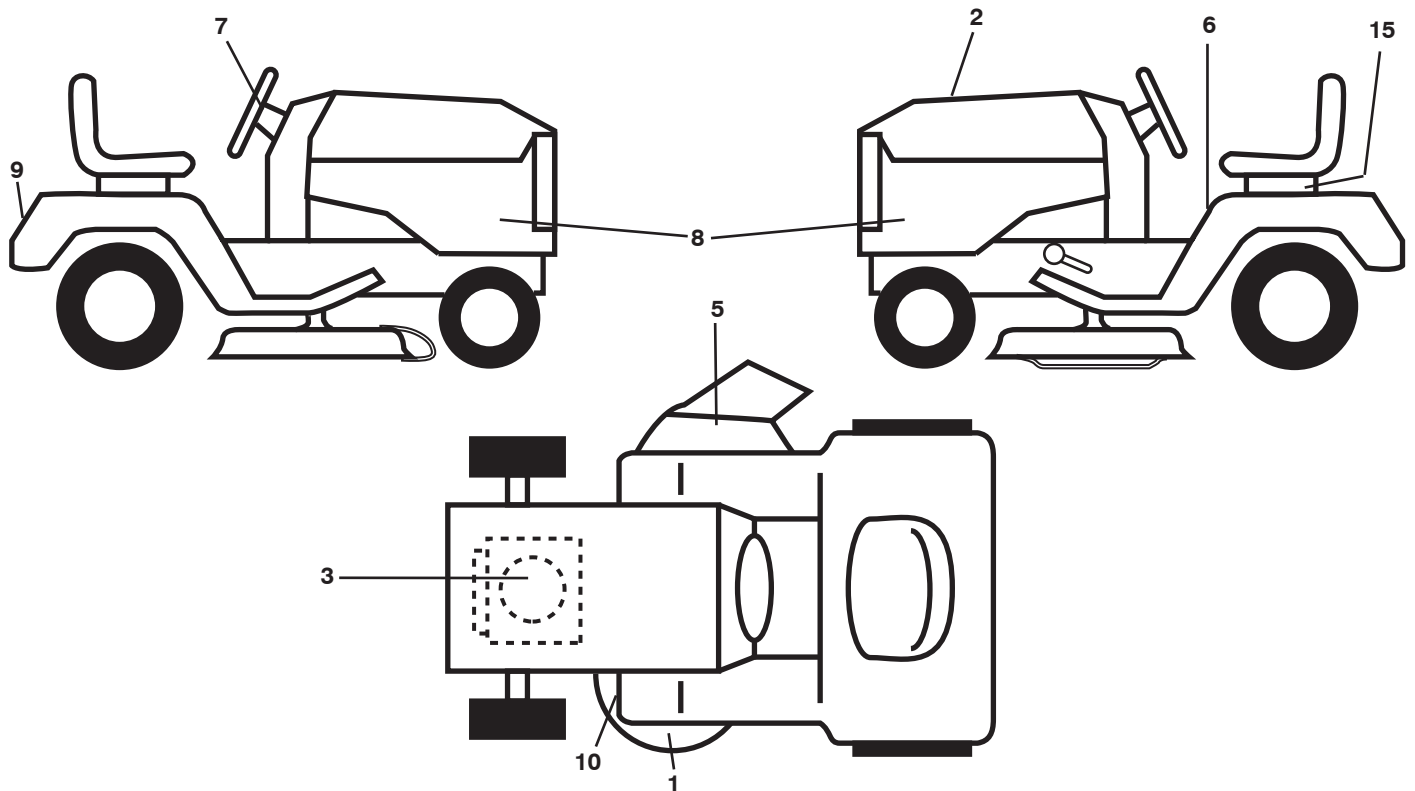
KEY NO.	PART NO.	DESCRIPTION
1	532 19 75-14	Seat
2	532 18 01-66	Bracket Pivot Fender
3	532 14 06-75	Strap, Asm Fender
5	532 14 50-06	Clip Push-in Hinged
6	873 80 06-00	Nut, Lock w/Ins. 3/8-16 unc
7	587 61 33-01	Spring, Seat Cprsn
8	532 17 18-77	Bolt 5/16-18 unc x 3/4 w/Sems
10	532 44 18-05	Pan, Seat
12	532 19 93-70	Bracket Mnt.
13	532 12 12-48	Bushing Snap
14	872 05 04-12	Bolt 1/4-20 x 1-1/2

KEY NO.	PART NO.	DESCRIPTION
15	532 13 43-00	Spacer Split
16	532 12 37-40	Spring CPRSN Plate
17	532 12 39-76	Nut Lock 1/4
19	532 19 93-72	Knob Seat
21	587 90 78-01	Bolt, Shoulder 5/16-18 x 5/8
37	873 80 05-00	Nut, Lock 5/16-18 unc
42	532 19 93-71	Cup Washer

**NOTE:** All component dimensions given in U.S. inches  
1 inch = 25.4 mm

# REPAIR PARTS

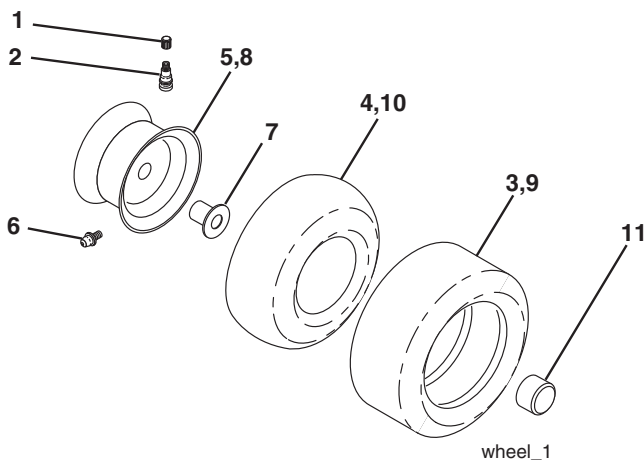
TRACTOR - MODEL NUMBER PP19A42 (96046007700), PRODUCT NO. 960 46 00-77  
DECALS



KEY NO.	PART NO.	DESCRIPTION
1	587 71 20-01	Decal, Deck Warranty
2	585 71 38-01	Decal, Replacement
3	585 55 61-01	Decal, Engine HP
5	584 90 46-01	Decal, Deflect. Warning
6	581 57 89-01	Decal, Fender Warning
7	587 61 91-01	Decal, Ins Str Wh
8	501 50 36-01	Decal, Side Panel
9	587 61 89-01	Decal, Fender
10	581 58 00-01	Decal, V-Belt Sch.

KEY NO.	PART NO.	DESCRIPTION
15	532 14 50-05	Decal, Caution, Battery
--	581 72 48-01	Decal, Bypass
--	532 40 95-07	Pad Foot Pedal RH
--	532 40 95-05	Pad Footrest LH
--	115 78 30-49	Manual, Operator's (English/Spanish)
--	115 78 31-49	Manual, Parts (English/Spanish)
--	115 63 96-46	Manual, Quick Start Guide (English/Spanish)

## WHEELS & TIRES



KEY NO.	PART NO.	DESCRIPTION
1	532 05 91-92	Cap, Tire Valve
2	532 06 51-39	Stem, Valve
3	532 10 62-22	Tire, Front 15 x 6-6
4	532 05 99-04	Tube, Front (Service item only)
5	532 12 51-21	Rim Assembly, 6" Front
6	532 12 49-57	Fitting, Grease (Front wheel only)
7	532 12 49-59	Bearing, Flange (Front wheel only)
8	532 12 51-22	Rim Assembly, 8" Rear
9	532 13 84-68	Tire, Rear 20 x 8-8
10	532 12 49-26	Tube, Rear (Service item only)
11	532 19 32-68	Cap, Hub Axle
--	532 14 43-34	Sealant, Tire (10 oz. Tube)

**NOTE:** All component dimensions given in U.S. inches  
1 inch = 25.4 mm

---

# SERVICE NOTES

---

# Poulan PRO

## PARTS AND SERVICE

This product has been expertly engineered and carefully manufactured to rigid quality standards. As with all mechanical products, some adjustments or part replacement may be necessary during the life of your unit.

For Parts and service, contact our authorized distributor: call 1-800-849-1297

- For replacement parts, have available the following information:
  - a. Model Number/Manufacturer's I.D. Number
  - b. Description of part.

For Technical Assistance: call 1-800-829-5886

For a Parts Manual, go to our website: [www.poulanpro.com](http://www.poulanpro.com)

**NOTE:** HOP provides parts and service through its authorized distributors and dealers; therefore, all requests for parts and service should be directed to your local dealer(s). The philosophy of HOP is to continually improve all of its products. If the operating characteristics or the appearance of your product differs from those described in this Manual, please contact your local dealer for updated information and assistance.

# Poulan PRO

## PARTES Y SERVICIOS

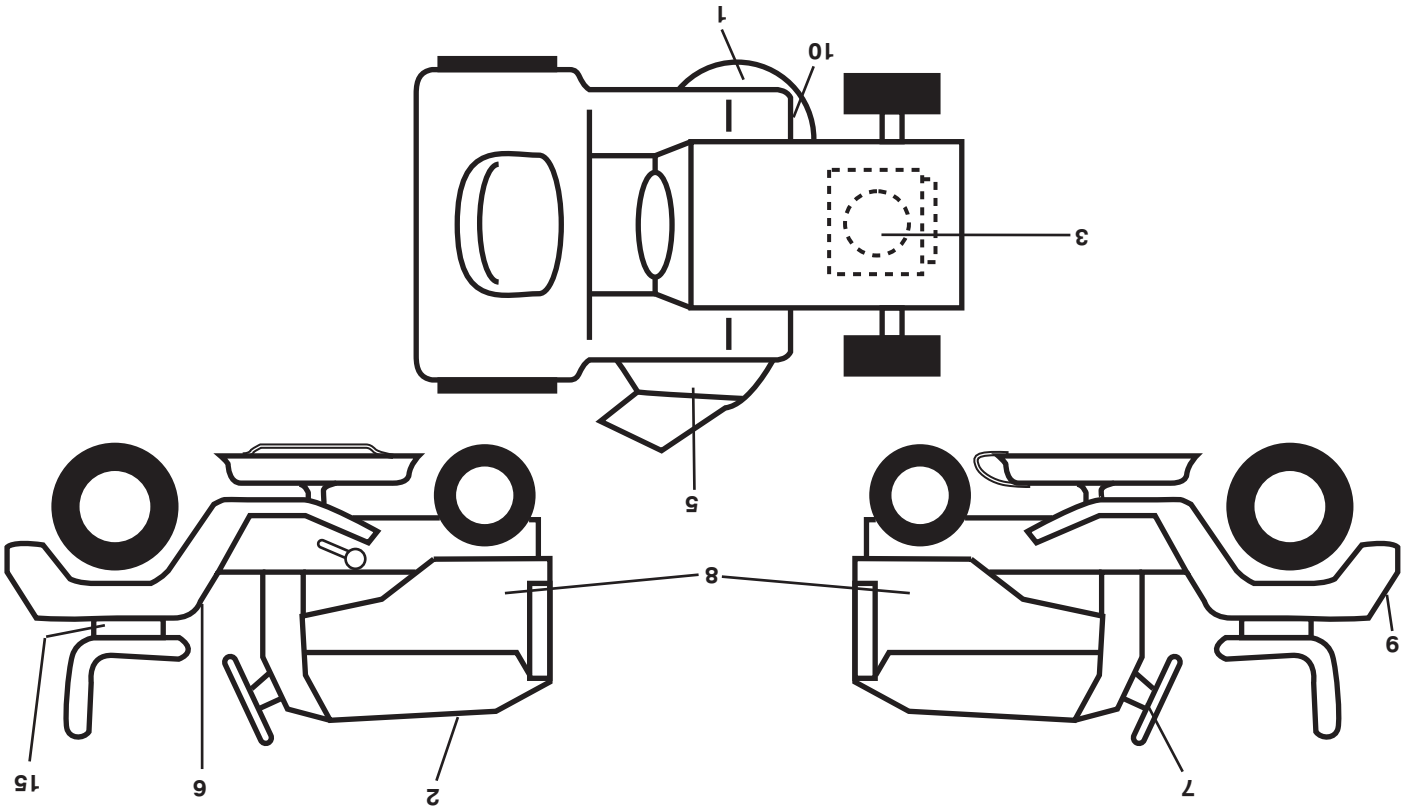
Este producto ha sido diseñado por expertos y fabricado con cuidado según estrictas normas de calidad. Como con todos los productos mecánicos, pueden requerirse algunos ajustes o el cambio de algunas piezas durante la vida útil de la unidad.

- Para obtener partes y servicios, contacte a nuestro distribuidor autorizado: llame al 1-800-849-1297
    - a. Número de modelo/Número de I.D. del fabricante
    - b. Descripción de la pieza.
- Para obtener asistencia técnica: llame al 1-800-829-5886
- Para obtener un manual de piezas, visite nuestro sitio web: [www.poulanpro.com](http://www.poulanpro.com)

**NOTA:** HOP ofrece piezas y servicio a través de sus distribuidores y concesionarios autorizados; por lo tanto, todas las solicitudes de piezas y servicio deben dirigirse a su concesionario local. Es la filosofía de HOP mejorar permanentemente todos sus productos. Si las características operativas o el aspecto de su producto difiere de los descritos en este Manual, contacte a su concesionario local para solicitar información actualizada y asistencia.

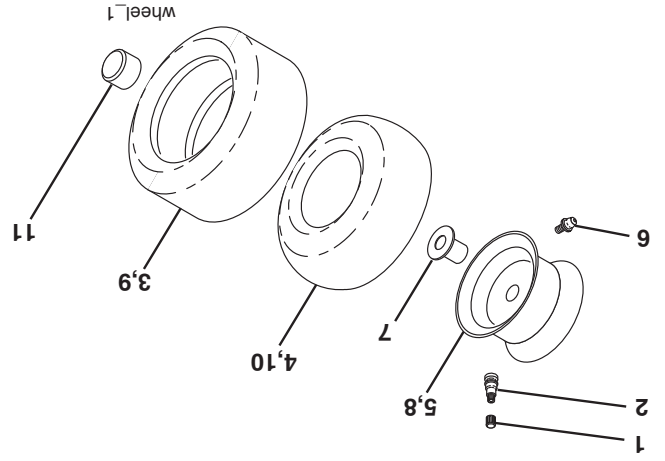


**CALCOMANÍAS**



CÓDIGO PIEZA	No.	DESCRIPCIÓN
587 71 20-01	1	Calcomanía, garantía
585 71 38-01	2	Calcomanía, reemplazo
585 55 61-01	3	Calcomanía de motor C.V.
584 90 46-01	5	Calcomanía advertencia
581 57 89-01	6	Calcomanía advertencia
587 61 91-01	7	Calcomanía de dirección
501 50 36-01	8	Calcomanía para el panel lateral
587 61 89-01	9	Calcomanía para el guardabarros
581 58 00-01	10	Calcomanía del diagrama de la cortadora de césped
532 14 50-05	15	Calcomanía, batería
581 72 48-01	--	Calcomanía
532 40 95-07	--	Forro del pedale (LD)
532 40 95-05	--	Forro del apoyo para los pies (LI)
115 78 30-49	--	Manual del operario (Inglés/Español)
115 78 31-49	--	Manual de piezas (Inglés/Español)
115 63 96-46	--	Guía de inicio rápido (Inglés/Español)

**RUEDAS Y NEUMÁTICOS**

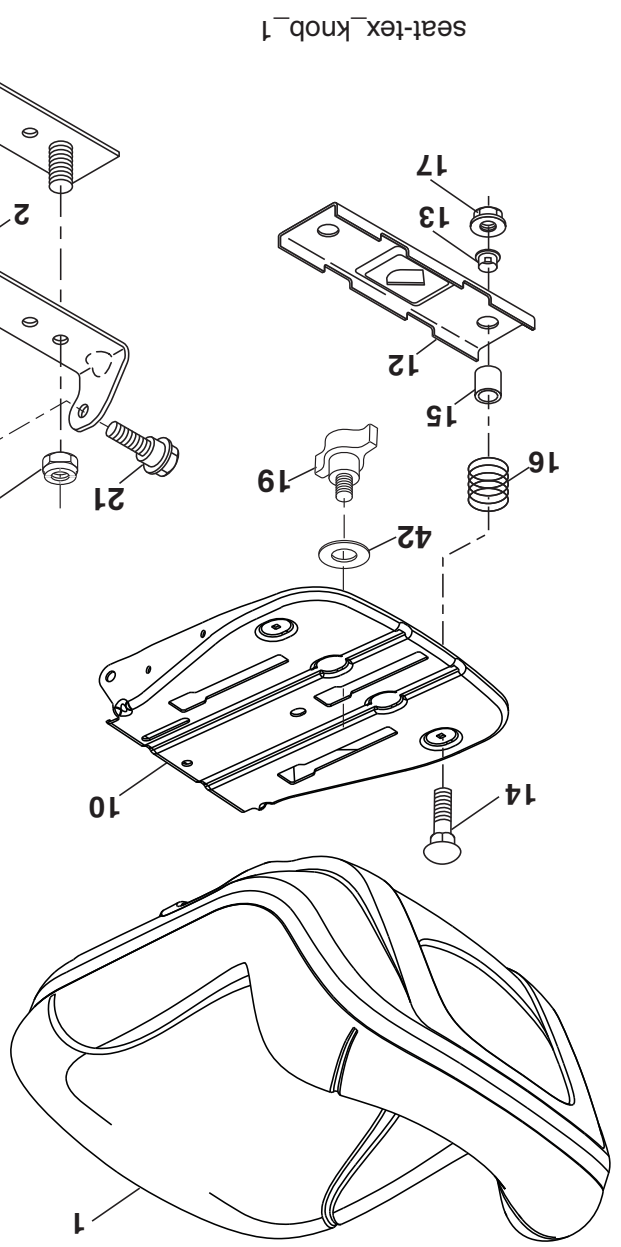


CÓDIGO PIEZA	No.	DESCRIPCIÓN
532 05 91-92	1	Tapa de la válvula del neumático
532 06 51-39	2	Vástago de la válvula
532 10 62-22	3	Neumático delantero 15 x 6-6
532 05 99-04	4	Cámara delantera
532 12 51-21	5	Ensamble de las llantas delanteras (Mantenimiento sólo)
532 12 49-57	6	Accesorio para engrasar
532 12 49-59	7	Rodamiento de la brida (Sólo para la rueda delantera)
532 12 51-22	8	Ensamble trasero de la llanta (Sólo para la rueda delantera)
532 13 84-68	9	Neumático trasero 20 x 8-8
532 12 49-26	10	Cámara trasera
532 19 32-68	11	Tapa del eje (Mantenimiento sólo)
532 14 43-34	--	Sellador para neumáticos (tubo de 10 onzas [283 gr])

**NOTA:** Las dimensiones de todos los componentes están expresadas en pulgadas = 25,4 mm

**TRACTOR MODELO NO. PP19A42 (96046007700), PRODUCTO NO. 960 46 00-77**

**ENSAMBLE DEL ASIENTO**



CÓDIGO PIEZA	No.	DESCRIPCIÓN
532 18 01-66	2	Soporte pivotante del guardabarros
532 14 06-75	3	Conector del ensamble del guard
532 14 50-06	5	abarras
532 14 50-06	5	Cierre
873 80 06-00	6	Tuerca 3/8-16 unc
587 61 33-01	7	Resorte del asiento
532 17 18-77	8	Perno 5/16-18 unc x 3/4
532 44 18-05	10	Bandeja del asiento
532 19 93-70	12	Soporte
532 12 12-48	13	Buje
872 05 04-12	14	Perno 1/4-20 x 1-1/2

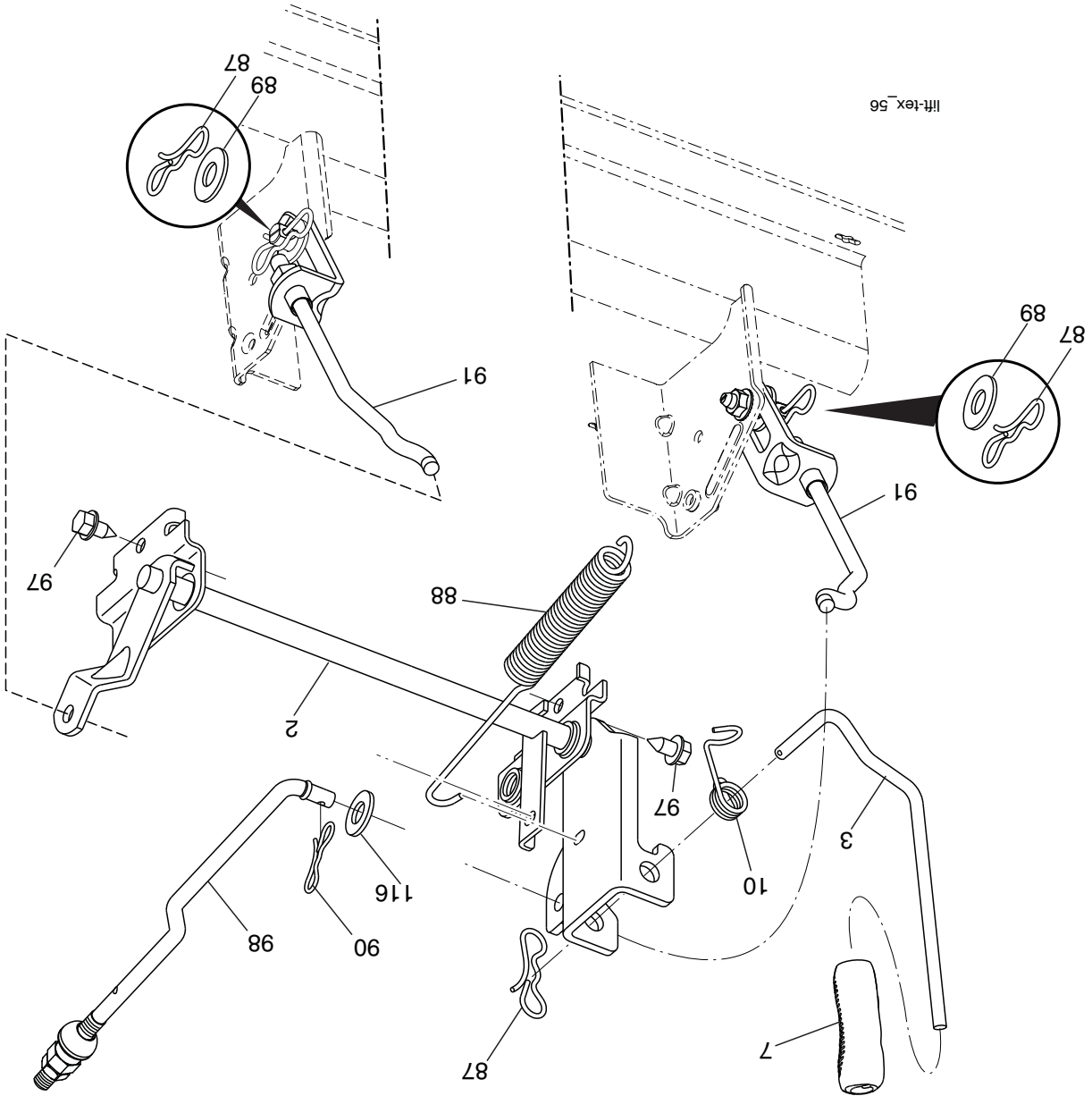
CÓDIGO PIEZA	No.	DESCRIPCIÓN
532 13 43-00	15	Separador
532 12 37-40	16	Resorte para trabar el asiento
532 12 39-76	17	Tuerca 1/4
532 19 93-72	19	Perilla de asiento
587 90 78-01	21	Perno 5/16-18 x 5/8
873 80 05-00	37	Tuerca 5/16-18 unc
532 19 93-71	42	Arandela

**NOTA:** Las dimensiones de todos los componentes están expresadas en pulgadas americanas. 1 pulgada = 25,4 mm



**TRACTOR MODELO NO. PP19A42 (96046007700), PRODUCTO NO. 960 46 00-77**

**ELEVACIÓN DE LA CORTADORA DE CÉSPED**



lift-tex\_56

**NOTA:** Las dimensiones de todos los componentes están expresadas en pulgadas americanas. 1 pulgada = 25,4 mm

CÓDIGO PIEZA	No.	DESCRIPCIÓN
91	532 19 79-84	Ensamble del acoplamiento Elevation trasera
97	817 00 06-12	Tornillo 3/8-16 x 3/4
98	532 42 05-25	Acoplamiento frontal de la elevación de la cortadora de césped
116	819 15 15-16	Arandela 15/32 x 15/16 x calibre 16

CÓDIGO PIEZA	No.	DESCRIPCIÓN
2	532 42 20-27	Ensamble del eje de la elevación
3	532 19 52-31	Ensamble de la palanca de elevación derecha
7	580 96 23-01	Mango de la palanca
10	532 19 63-14	Resorte de torsión
87	532 19 42-09	Pasador de chaveta de 7/16 con bloqueo en forma de mariposa
88	532 41 07-10	Resorte de ayuda de la elevación
89	819 19 19-12	Arandela de zinc transparente
90	532 19 42-08	Pasador de chaveta de 5/16 con

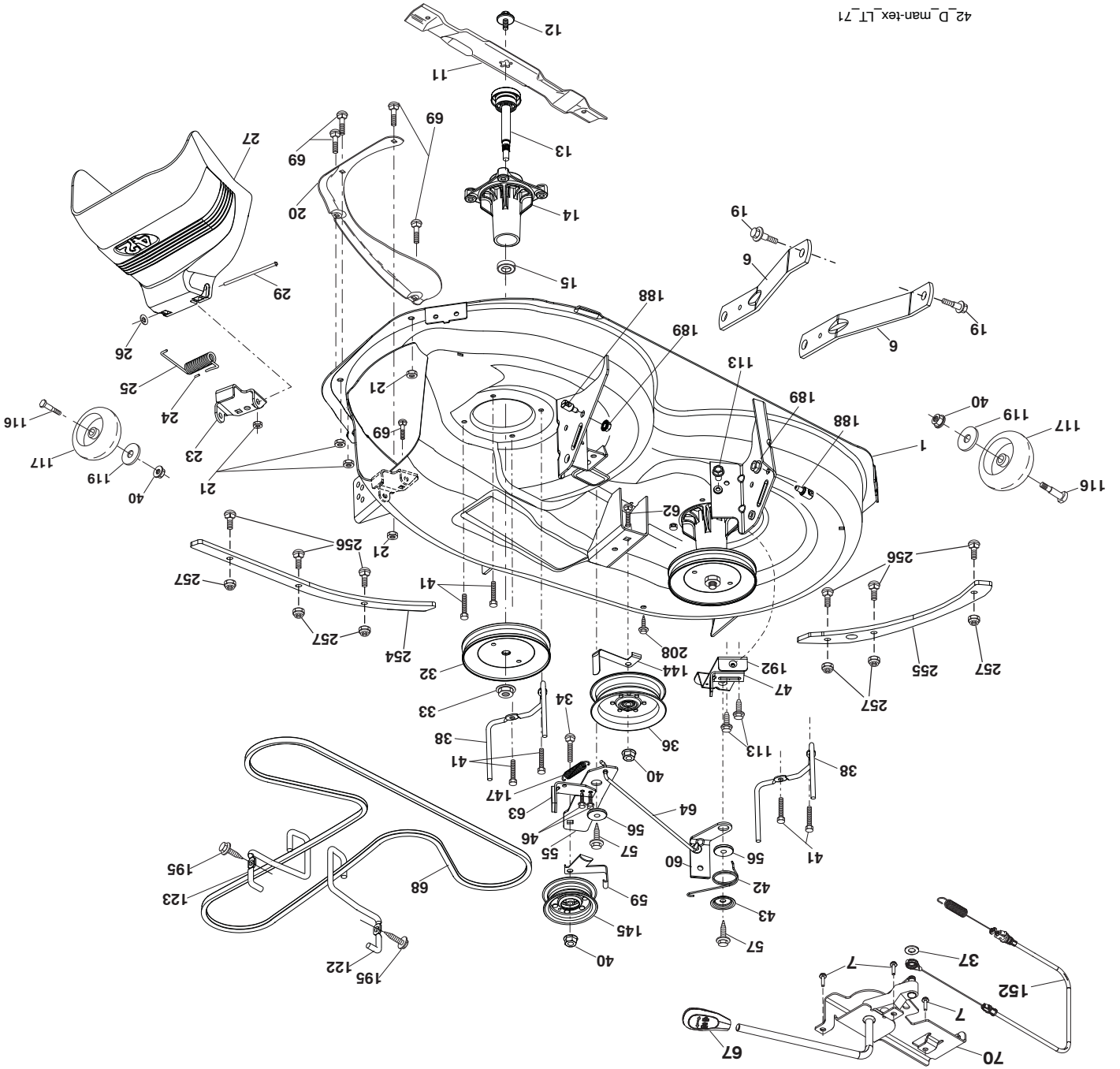
**TRACTOR MODELO NO. PP19A42 (96046007700), PRODUCTO NO. 960 46 00-77  
PLATAFORMA DE LA CORTADORA DE CÉSPED**

CÓDIGO PIEZA	No.	DESCRIPCIÓN	CÓDIGO PIEZA	No.	DESCRIPCIÓN
532 42 46-96	1	Carcasa de la cortadora de césped	872 11 06-16	62	Perno 3/8-16 unc x 2
532 19 51-86	6	Brazo de la suspensión	532 19 94-77	63	Brazo del freno de la cortadora de césped
532 41 63-58	7	Tornillo No.10 x 0.750	532 19 99-18	64	Varillaje del freno
532 13 89-71	11	Cuchilla de la cortadora de césped,	532 40 30-12	67	Manija
532 13 97-75	--	Cuchilla, prima 42"	532 42 96-36	68	Correa trapezoidal de la transmisión
532 13 41-49	--	(Mejor usado para cuando mulching)	872 14 05-05	69	Perno 5/16-18 x 5/8
532 42 47-52	--	Cuchilla, mantillo 42"	532 19 99-72	70	Ensamble del embrague Manual
532 42 27-19	--	(Para cortacéspedes mulching sólo)	532 12 48-42	116	Perno
532 42 27-19	--	Cuchilla 42SP" 3N1	532 18 86-06	117	Regler de roue
584 30 93-01	12	Cuchilla 42SP" Prima	819 12 14-14	119	Arandela 3/8 x 7/8 x calibre 14
532 19 28-72	13	Tornillo 7/16-20 x 1	817 00 05-10	113	Tornillo 5/16-18
532 18 72-81	14	Ensamble del eje del mandril	532 19 72-58	122	Sujetador izquierdo de la correa del motor
532 11 04-85	15	Carcasa del mandril	532 19 72-59	123	Sujetador derecho de la correa del motor
532 19 65-39	19	Rodamiento de bolas del mandril	532 19 92-04	144	Sujetador de la correa motor
873 68 05-00	21	Deflector	532 19 31-97	145	Sujetador de la correa primaria
532 19 25-57	23	Tuerca 5/16-18 unc	532 40 19-71	147	Polea loca primaria
532 10 53-04	24	Soporte del deflector	532 24 35-01	152	Retorno del resorte
532 19 70-26	25	Tapa de la manga	584 24 35-01	152	Cable de embrague manual
532 11 04-52	26	Resorte de torsión del deflector	532 19 51-61	188	Sujetador del travesaño
532 40 30-04	27	Tuerca	873 90 05-00	189	Tuerca
532 13 14-91	29	Protector del deflector	532 19 72-60	192	Sujetador (L1)
532 19 74-73	32	Varilla de la bisagra	817 00 06-12	195	Tornillo 3/8-16 x 3/4
532 40 02-34	33	Polea del mandril	817 67 06-08	208	Tornillo 3/8-16 x 1/2
872 11 06-12	34	Tuerca 3/8-16 x 1-1/2 grado 5	585 31 68-05	254	Placa de refuerzo frontal
532 19 73-79	36	Polea 4.50	585 31 70-05	255	Placa de refuerzo lateral
819 13 13-16	37	Arandela 13/32 x 13/16 x calibre 16	539 10 98-00	256	Perno 1/4-20 x 1 Gr. 5
532 43 25-20	38	Sujetador de la correa del mandril	873 90 04-00	257	Tuerca 1/4-20 unc
873 90 06-00	40	Tuerca 3/8-16 unc	587 25 33-01	--	Ensamble del Mandril (solo incluye la carcasa (#14), el ensamble del eje (#13) y el rodamiento (#15); no incluye la polea/tuerca/arandela ni los pernos/arandelas de la cuchilla)
584 95 39-01	41	Perno 313-18 x 1.19	501 45 13-01	--	Reemplazo de la cortadora de césped, completa
532 19 84-10	42	Resorte de torsión del freno			
532 19 72-56	43	Resorte de torsión del freno			
532 13 77-29	46	Tornillo 1/4-20 x 5/8			
532 19 72-50	47	Soporte			
532 43 71-10	55	Brazo de la polea			
532 19 90-92	56	Espaciador de retención			
817 00 06-16	57	Tornillo 3/8-16 x 1			
532 14 10-43	59	Dispositivo de protección de la polea			
532 19 72-61	60	Brazo del freno de la cortadora de césped			

**NOTA:** Las dimensiones de todos los componentes están expresadas en pulgadas = 25,4 mm

TRACTOR MODELO NO. PP19A42 (96046007700), PRODUCTO NO. 960 46 00-77  
PLATAFORMA DE LA CORTADORA DE CÉSPED

42\_D\_man-tex\_LT\_71



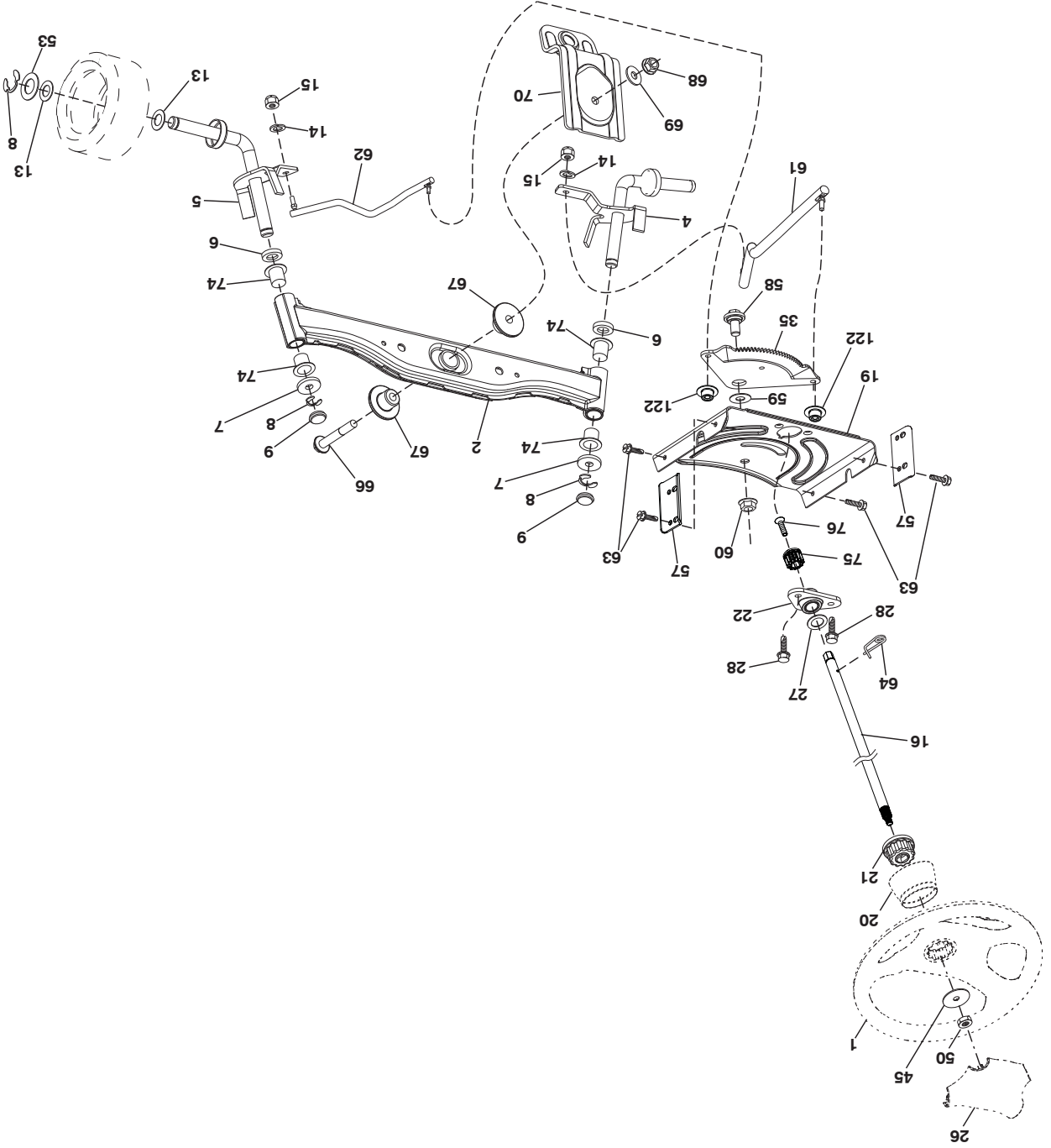
**TRACTOR MODELO NO. PP19A42 (96046007700), PRODUCTO NO. 960 46 00-77  
ENSAMBLE DE LA DIRECCIÓN**

<b>CÓDIGO PIEZA</b>	<b>No.</b>	<b>DESCRIPCIÓN</b>
532 42 45-43	1	Volante de dirección
532 41 81-68	2	Ensamble del eje delantero
532 40 30-87	4	Ensamble del husillo izquierdo (LI)
532 40 30-88	5	Ensamble del husillo izquierdo (LD)
532 12 49-31	6	Arandela 0.75 x 1.23
532 12 17-48	7	Arandela 25/32 x 1-5/8 x calibre 16
812 00 00-29	8	Abrazadera del aro No. T5304-75
532 12 12-32	9	Tapa del husillo
532 12 17-49	13	Arandela 25/32 x 1-1/4 x calibre 16
810 04 06-00	14	Arandela 3/8
873 54 06-00	15	Tuerca 3/8-24
587 01 60-01	16	Eje de dirección
532 19 47-29	19	Placa de dirección
532 42 47-40	20	Cubierta de la dirección
586 84 02-01	21	Adaptador del volante de dirección
585 02 98-02	22	Soporte
532 42 46-91	26	Inserto del volante de dirección
819 21 16-16	27	Arandela 21/32 x 1 x calibre 16
817 00 06-12	28	Tornillo 3/8-16 x 3/4
532 19 47-32	35	Engranaje del sector de la placa
587 01 64-01	45	Arandela 3/8 x 2-3/8 x calibre 12
873 90 06-00	50	Tuerca 3/8-16 unc
532 18 89-67	53	Arandela .793 x 1.637 x .060
532 40 74-65	57	Topé superior del soporte
532 19 47-47	58	Perno
532 19 47-48	59	Arandela
873 97 10-00	60	Tuerca 5/8-11
532 19 47-40	61	Barra de acoplamiento izquierda
532 19 47-41	62	Barra de acoplamiento derecha
817 00 05-12	63	Tornillo 5/16-18 x 3/4
532 19 98-49	64	Abrazadera de retención del resorte de la dirección
871 02 07-48	66	Perno 7/16-14 x 3
532 19 47-37	67	Buje PM del eje delantero
873 90 07-00	68	Tuerca 7/16-14 Gr. 5
532 19 91-62	69	Arandela 1.5 x .505 x .118
585 33 88-01	70	Soporte
532 12 49-37	74	Rodamiento
580 68 37-01	75	Piñón
580 68 36-01	76	Tornillo
532 44 49-62	122	Tapa

**NOTA:** Las dimensiones de todos los componentes están expresadas en pulgadas americanas. 1 pulgada = 25,4 mm

TRACTOR MODELO NO. PP19A42 (96046007700), PRODUCTO NO. 960 46 00-77

ENSAMBLE DE LA DIRECCIÓN



steering-lex\_STDSRR\_47

CÓDIGO PIEZA	No.	DESCRIPCIÓN
1	---	Motor, B&S 33R877-0009-G1 (586070701)
2	580 53 23-01	Silenciador
9	584 91 16-01	Sujetador de la correa del motor
12	586 72 90-01	Polea del motor
15	532 43 30-07	Tanque de combustible
18	581 17 61-01	Ensamble de la tapa
20	532 18 38-97	Control del regulador/ obturador
21	532 41 35-58	Tornillo No. 10 x 0.750
28	532 40 11-37	Línea de combustible
29	532 13 71-80	Equipo apagachispas
37	532 12 34-87	Abrazadera de la manguera
42	810 04 07-00	Arandela 7/16
45	873 51 04-00	Tuerca 1/4-20 unc
69	532 16 52-91	Junta, Motor
79	532 19 23-34	Tornillo 5/16-18 x 3/4
81	532 14 84-56	Tubo de drenaje
82	532 42 82-87	Válvula fácil del drenaje del aceite
84	817 06 06-20	Tornillo 3/8-16 x 1-1/4
85	532 17 39-37	Perno 7/16-20 x 4 x grado 5-1.5
87	532 17 18-77	Perno 5/16-18 unc x 3/4
90	817 00 06-16	Tornillo 3/8-16 x 1
94	581 88 09-01	Tubo de escape
96	819 09 14-16	Arandela 9/32 x 7/8 x calibre 16
97	817 67 04-12	Tornillo 1/4-20 x 3/4
138	532 41 41-19	Línea de purge

**NOTA:** Las dimensiones de todos los componentes están expresadas en pulgadas americanas. 1 pulgada = 25,4 mm

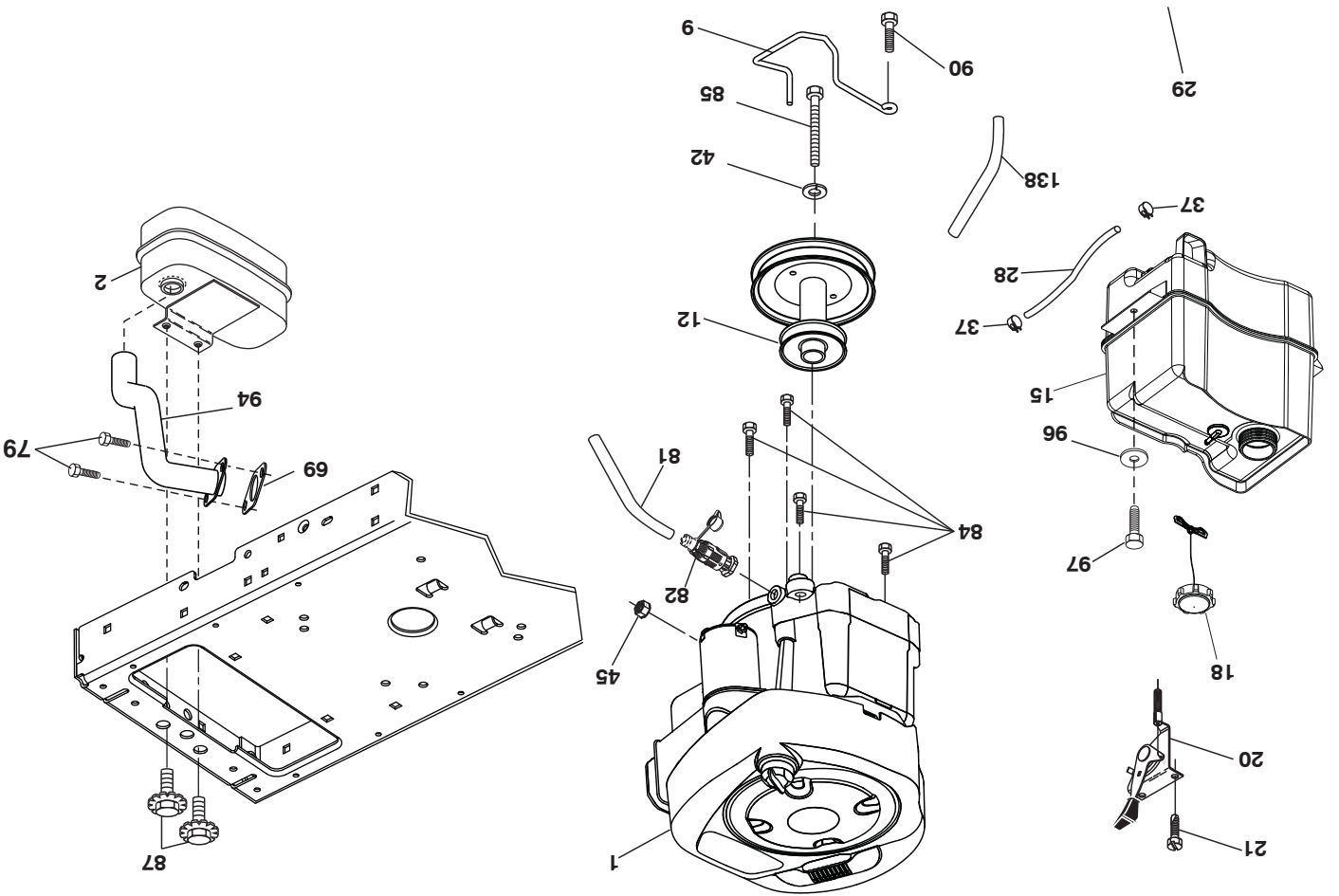
Para las piezas del servicio y de recambio del motor, llame el número gratis para su fabricante del motor enumerado abajo:

Briggs & Stratton 1-800-233-3723

### Información de Clasificación de Potencia del Motor

La clasificación de potencia para un modelo de motor a gas en particular se designa de acuerdo al código J1940 de SAE (Sociedad de Ingenieros Automotrices) (Procedimiento de Clasificación de Potencia & Torque del Motor Pequeño), y la clasificación de desempeño ha sido obtenida y corregida de acuerdo con el código J1995 de SAE (Revisión 2002-05). Los valores de torque se obtienen a 3060 RPM; los valores de potencia se obtienen a 3600 RPM. La potencia bruta actual del motor será inferior y está afectada, entre otras cosas, por las condiciones ambientales operativas y la variabilidad de motor a motor. Dado ambos un amplio conjunto de productos en los cuales son puestos nuestros motores, y la variedad de emisiones ambientales aplicables al operar el equipo, el motor a gas no desarrollará la potencia nominal cuando sea usado en una parte del equipo acoplado (potencia real "en el-sitio" o potencia neta). Esta diferencia se debe a una variedad de factores que incluyen, pero que no están limitados a, accesorios (filtro de aire, sistema de escape, sistema de carga, sistema de enfriamiento, carburador, bomba de combustible, etc.) limitaciones de la aplicación, condiciones ambientales de operación (temperatura, humedad, altitud), y la variabilidad de motor a motor. Debido a las limitaciones, Briggs & Stratton puede sustituir este motor con clasificación de potencia más alta por esta serie de motor.

# EQUIPO APAGACHISPAS



**TRACTOR MODELO NO. PP19A42 (96046007700), PRODUCTO NO. 960 46 00-77**

**TRANSMISIÓN**

CÓDIGO PIEZA	No.	DESCRIPCIÓN	CÓDIGO PIEZA	No.	DESCRIPCIÓN
1	---	Transje, Varitor SD Pedal (580486201) (Haga el pedido de las piezas al fabricante del transeje.)	186	532 19 43-21	Espaciador de retención Arandela de 13/32x2xcalibre 10
2	532 12 35-83	Cuña	188	532 19 43-23	Mecanismo de desplazamiento de la varilla de mando del embrague
5	874 76 06-36	Perno de HS 3/8-16 unc	189	532 19 43-17	Palanca acodada del mecanismo de desplazamiento
6	532 12 40-28	Buje	190	532 19 43-18	Sujetador de la palanca acodada del mecanismo de desplazamiento
17	584 95 40-01	Resorte de freno	195	581 50 46-01	Soprote de freno Arandela de 11/32 x 11/16 x calibre 16
29	584 82 31-01	Varilla del freno	203	819 11 11-16	Arandela de 11/32 x 11/16 x calibre 16
33	812 00 00-01	Aro "E"	205	532 12 17-48	Arandela de 25/32 x 1-5/8 x calibre 16
35	583 86 45-01	Varilla del freno de mano	210	532 44 82-70	Ensamble del pedal
37	532 18 89-67	Arandela de .793 x 1.637 x 060	214	532 42 12-63	Forro del pedal para avanzar
42	532 12 48-72	Cubierta del pedal	215	532 44 82-54	Forro del pedal para retroceder
49	872 11 06-14	Perno de 3/8-16unc x1-3/4 Gr. 5	221	532 40 31-87	Abrazadera de retención del resorte de la manija Arandela de 21/32 x 1-1/4 calibre 10
42	532 12 48-72	Cubierta del pedal	222	879 21 20-10	Arandela de 21/32 x 1-1/4 calibre 10
50	532 19 43-27	Polea loca plana	277	532 44 85-00	Varillaje
51	873 90 06-00	Tuerca 3/8-16	282	874 49 05-48	Tornillo de 5/16-18 x 3
52	532 19 43-26	Polea loca con ranura en V	299	532 41 56-83	Soprote
56	532 19 72-53	Correa de la transmisión con un desplazamiento	300	532 41 56-81	Polea loca Sujetador
56	532 19 72-53	Correa de la transmisión	301	532 41 56-80	Polea loca plana
64	532 44 83-53	Ensamble del eje Control del pedal de freno	302	581 42 05-01	Polea loca plana 2.0 Od
67	819 13 13-12	Arandela de 13/32 x 13/16 x calibre 12	303	872 11 06-18	Perno
67	819 13 13-12	Arandela de 13/32 x 13/16 x calibre 12	306	876 02 04-16	Pasador de chaveta 1/8x 1/8 Gr. 5
73	874 49 05-44	Perno de 5/16-18 Gr. 5	345	872 11 06-06	Perno de 3/8-16 x 1 Gr. 5
99	532 43 59-35	Varilla del con resorte de desviación	373	581 46 18-01	Separador
99	532 43 59-35	Varilla del con resorte de desviación	374	581 47 52-01	Soprote
116	873 90 05-00	Tuerca 5/16-18 unc	375	873 68 06-00	Tuerca 3/8-16 unc
125	817 00 05-12	Tornillo de 5/16-18 x 3/4	378	584 28 77-01	Tuerca 8mm
143	817 49 05-08	Tornillo de 5/16-18 x 1/2 Tytt			
159	876 02 04-12	Pasador de chaveta de 1/8 x 3/4			
160	532 16 94-84	Abrazadera de retención			
161	532 10 57-09	Resorte de retorno del embrague 6.75			
163	587 84 79-01	Varilla de control del pedal			
166	532 42 91-64	Tuerca de presión .625			
167	532 40 52-57	Pestillo del freno de mano			
172	583 97 42-01	Correa de torsión (LI)/(LD)			
184	587 65 37-01	Manija del freno de mano			
185	872 11 06-22	Perno de 3/8-16 unc x 2-3/4 Gr. 5			

**NOTA:** Las dimensiones de todos los componentes están expresadas en pulgadas = 25,4 mm





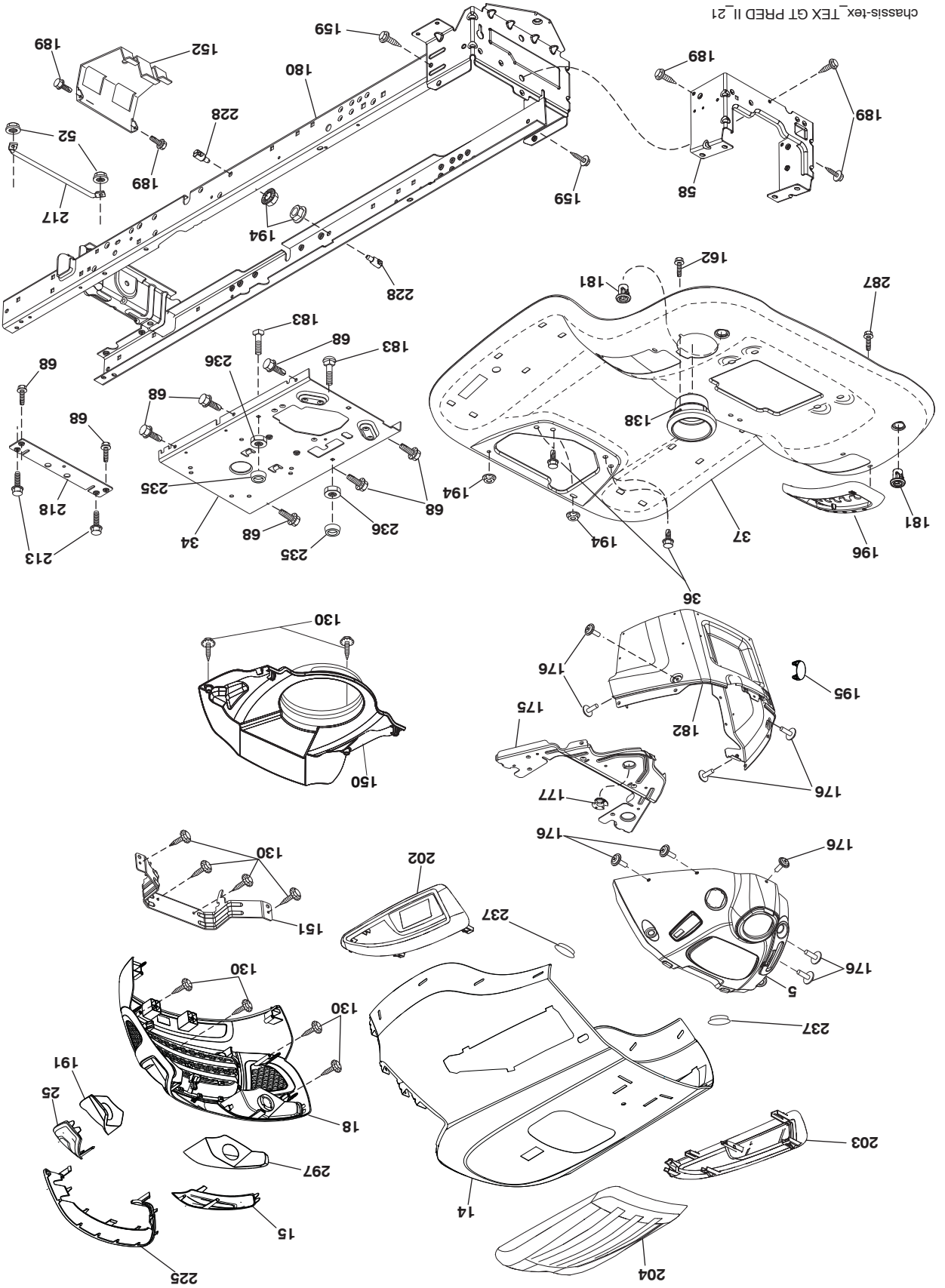
**TRACTOR MODELO NO. PP19A42 (96046007700), PRODUCTO NO. 960 46 00-77 CHASIS**

<b>CÓDIGO PIEZA</b>	<b>No.</b>	<b>DESCRIPCIÓN</b>
5	532 44 18-82	Tablero
14	501 12 85-01	Capota
15	581 10 31-01	Lente izquierdo de la parrilla
18	581 10 29-02	Parrilla
25	581 10 30-01	Lente derecho de la parrilla
34	580 91 08-01	Chapa Motor
36	817 06 05-12	Tornillo 5/16-18 x 3/4
37	532 42 07-96	Guardabarros
52	873 68 05-00	Tuerca 5/16-18
58	532 41 22-80	Barra de tracción, superior 2 pieza
68	817 49 05-08	Tornillo 5/16-18 x 1/2
130	532 41 63-58	Tornillo #10 x 0.750
138	532 40 97-30	Portavasos
150	584 86 29-03	Cubierta térmica del conducto
151	532 44 54-94	Soporte giratoria
152	532 19 95-35	Protector contra oscurecimiento
159	817 00 06-12	Tornillo 3/8-16 x 3/4
162	532 14 24-32	Tornillo 1/4 x 1/2
175	532 19 63-04	Travesaño
176	532 40 07-76	Tornillo 10-24 x 5/8
177	532 19 52-28	Buje
180	532 41 50-63	Chasis
181	532 40 47-96	Buje de soporte del guardabarros de carga
182	586 73 86-02	Tablero inferior
183	874 52 05-20	Perno 5/16-18 x 1-1/4
189	817 00 05-12	Tornillo 5/16-18 x 3/4
191	581 22 35-01	Parrilla (LD)
194	873 90 05-00	Tuerca 5/16-18
195	532 40 41-37	Tapón
196	532 41 45-81	Ensamble de la consola de la plataforma de elevación
202	501 51 01-01	Ventilador/ Capota LD
203	501 51 01-02	Ventilador/ Capota LI
204	587 96 32-01	Ventilador
213	874 76 05-12	Perno 5/16-18 x 3/4
217	532 40 91-67	Varilla giratoria
218	532 19 63-95	Tope
225	581 10 32-01	Borde
228	532 19 51-61	Sujetador del travesaño
235	532 40 61-29	Separador del guardabarros
236	873 93 05-00	Tuerca 5/16-18
237	532 40 37-04	Tapón
287	817 60 04-06	Tornillo 1/4-20 x 3/8
297	581 22 36-01	Parrilla (LI)
--	532 44 11-26	Tapón

**NOTA:** Las dimensiones de todos los componentes están expresadas en pulgadas americanas. 1 pulgada = 25,4 mm

TRACTOR MODELO NO. PP19A42 (96046007700), PRODUCTO NO. 960 46 00-77

CHASIS



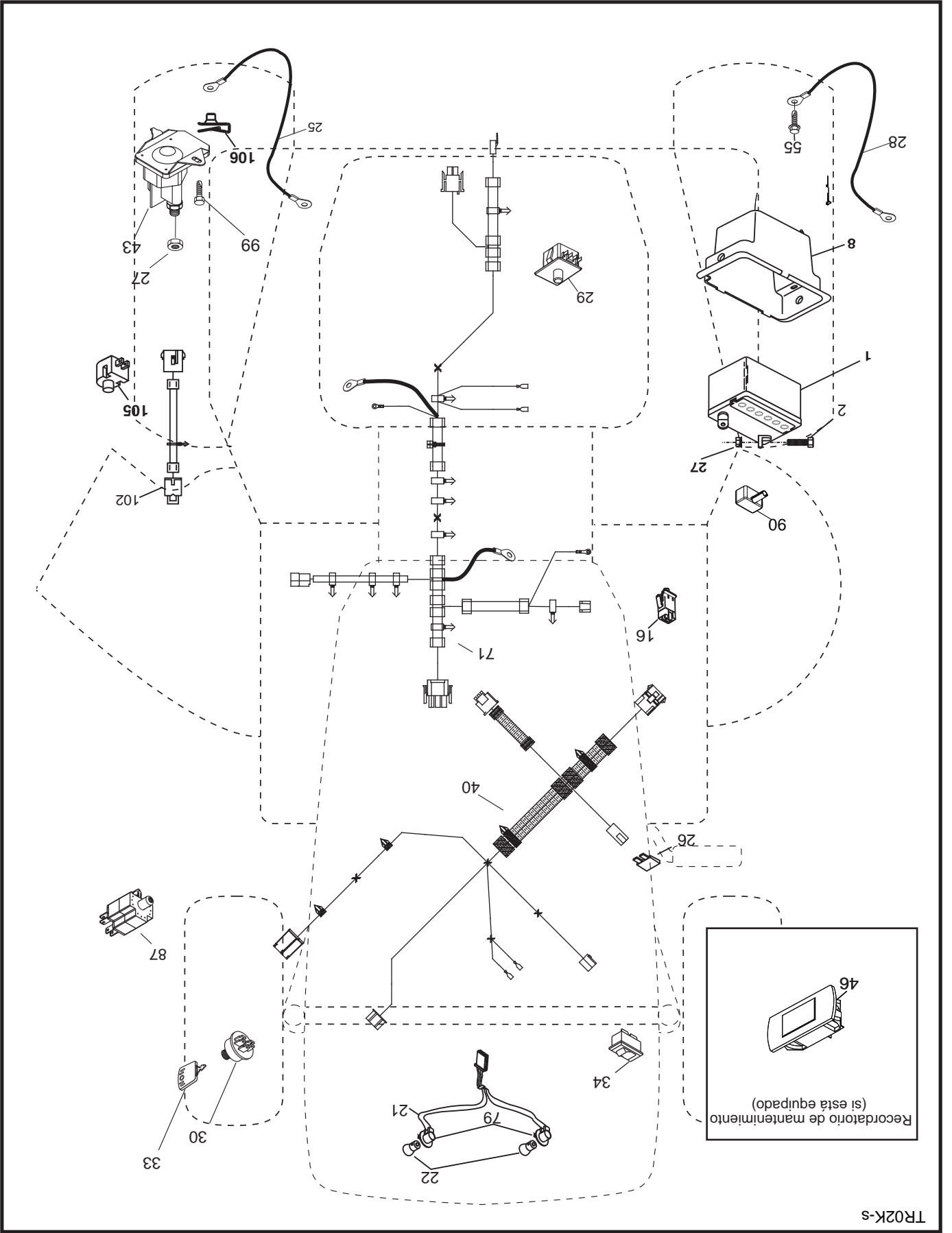
chassis-tex\_TEX GT PRFD II\_21

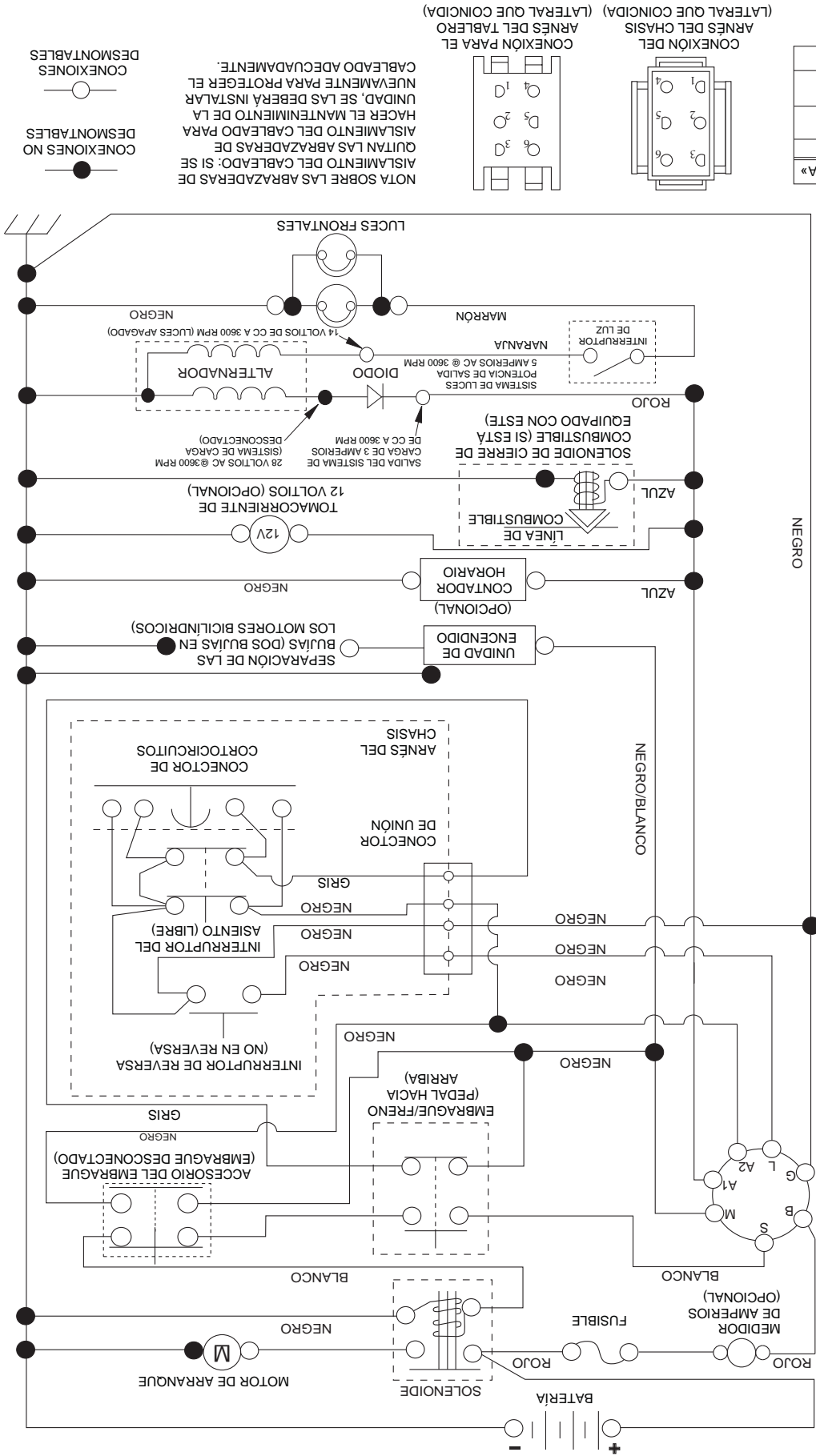
CÓDIGO PIEZA	No.	DESCRIPCIÓN
532 14 49-25	1	Batería
874 76 04-12	2	Perno de cabeza hexagonal de 1/4-20 x 3/4
532 19 32-28	8	Caja de la batería
532 17 61-38	16	Interruptor corta corriente a presión
532 40 02-52	21	Cableado del enchufe para la luz
532 00 41-52	22	Bombilla de luz
581 49 80-01	25	Cable
532 17 51-58	26	Fusible
873 51 04-00	27	Tuerca hexagonal de 1/4-20 unc
532 42 16-86	28	Cable a tierra
532 19 27-49	29	Interruptor del asiento
532 19 33-50	30	Interruptor de encendido
532 41 19-33	33	Llave/cadena
532 11 07-12	34	Interruptor de luz/de restauración
581 02 31-01	40	Cableado del tablero de encendido
532 19 25-07	43	Solenoid
817 06 05-12	55	Tornillo 5/16-18 x 3/4
581 02 30-01	71	Cableado del chasis
532 17 52-42	79	Enchufe de cierre por torsión del ensamble de la bombilla
532 19 78-02	87	Interruptor corta corriente a presión
532 43 53-95	90	Tapa de los bornes de la batería
817 67 04-12	99	Tornillo 1/4-20 x 3/4
581 02 34-01	102	Arnés VATR
532 40 75-68	105	Interruptor Reverse
532 17 48-14	106	Tuerca 1/4

**NOTA:** Las dimensiones de todos los componentes están expresadas en pulgadas americanas. 1 pulgada = 25,4 mm

TRACTOR MODELO NO. PP19A42 (96046007700), PRODUCTO NO. 960 46 00-77  
 DIAGRAMA ELÉCTRICO

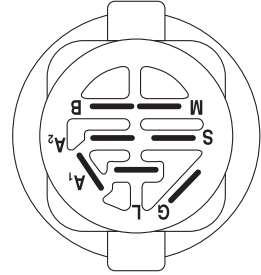
TR02K-S



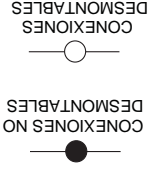
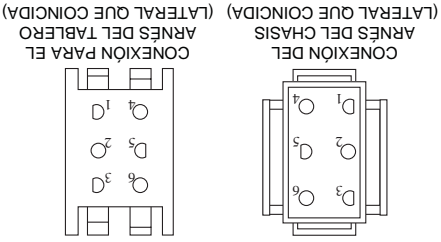
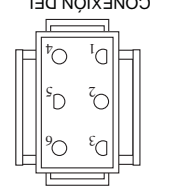


NOTAS:  
 QUE SU TRACTOR ES EQUIPADO CON UN SISTEMA ESPECIAL DE ALTERNADOR. LAS LUCES NO SON CONECTADAS A LA BATERIA, PERO TIENEN SU PROPIA FUENTE ELECTRICA. A CAUSA DE ESTO, EL BRILLO DE LAS LUCES CAMBIARA CON LA VELOCIDAD DE MOTOR. EN LENTO, LAS LUCES NO SON COMO BRILLANTES. CUANDO EL MOTOR ES ACELERADO, LA LUZ CONSEGUIRÁ MÁS BRILLANTE.

INTERRUPTOR DE ENCENDIDO



POSICIÓN	CIRCUITO «MARCA»
APAGADO	M+G+A1
PONER EN FUNCIONAMIENTO/ANULAR	B+A1
PONER EN FUNCIONAMIENTO	B+A1 L+A2
ARRANCAR	B + S + A1



NOTA SOBRE LAS ABRAZADERAS DE AISLAMIENTO DEL CABLEADO. SI SE QUITAN LAS ABRAZADERAS DE AISLAMIENTO DEL CABLEADO PARA HACER EL MANTENIMIENTO DE LA UNIDAD, SE LAS DEBERÁ INSTALAR NUEVAMENTE PARA PROTEGER EL CABLEADO ADECUADAMENTE.

# COMO UTILIZAR ESTE MANUAL

Este manual está diseñado para brindarle al comprador un medio para identificar las piezas del tractor para cuando necesite hacer el pedido de un repuesto. Las ilustraciones pueden o no representar los ensamblajes reales; por lo tanto, no se recomienda utilizar este manual como una guía para ensamblar o desarmar el tractor. Algunos accesorios y piezas están dibujados en tamaños más grandes para identificarlos con mayor facilidad.

Cada tractor tiene su propio número de modelo.

El número de modelo del tractor se encuentra en el guardabarros debajo del asiento. Cuando haga el pedido de una pieza, siempre brinde la siguiente información:

- Producto: "TRACTOR"
- NÚMERO DE MODELO: "PP19A42 (96046007700)"
- Número de pieza
- Descripción de la pieza

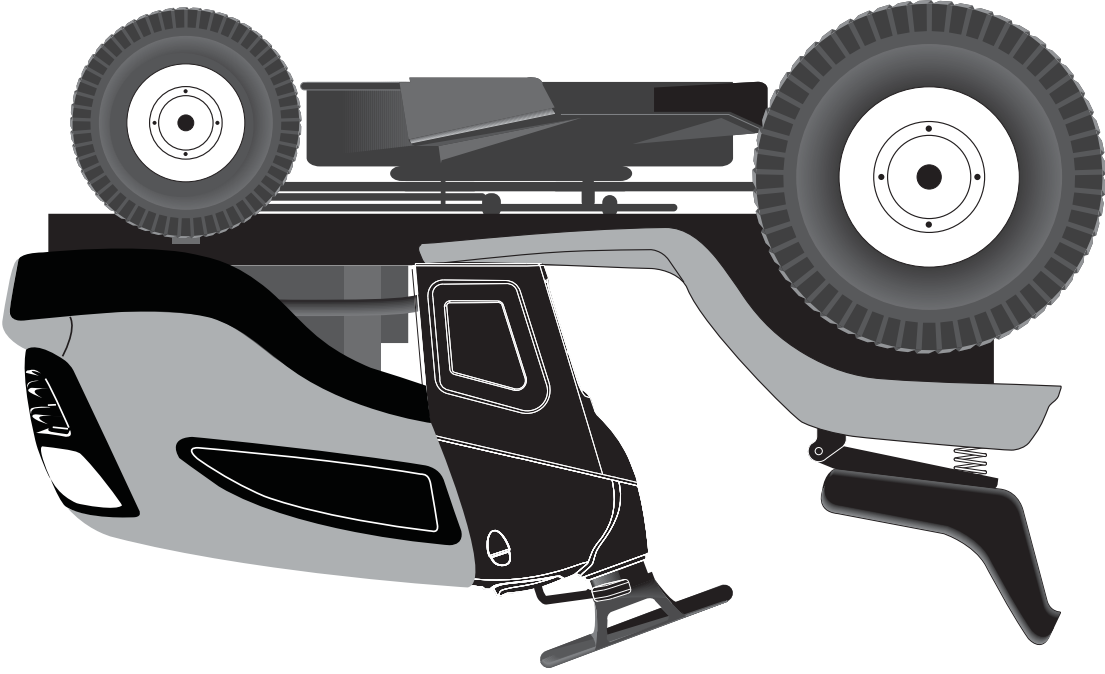
## INDICE

DIAGRAMA.....	3
DIAGRAMA ELÉCTRICO.....	4-5
CHASIS.....	6-7
TRANSMISIÓN.....	8-9
MOTOR.....	10-11
DIRECCIÓN.....	12-13
PLATAFORMA DE LA CORTADORA DE CÉSPED.....	14-15
ELEVACIÓN DE LA CORTADORA DE CÉSPED.....	16
ASIENTO.....	17
CALCOMANÍAS.....	18
PARTES Y SERVICIOS.....	20

MANUAL IMPORTANTE

NO TÍRALO A FUERA

# Poulan PRO



MANUAL DE REPUESTOS

MODEL:

**PP19A42**

TRACTOR PARA CÉSPED

SIEMPRE USE PROTECCIONES PARA LOS OJOS MIENTRAS OPERE ESTE TRACTOR

Vea la página web: [www.poulanpro.com](http://www.poulanpro.com)

115 78 31-49

08.27.15 BD  
Impreso en los E.E.U.U.

**ADVERTENCIA:**



Leer, entender y seguir todas las instrucciones sobre la máquina y en el manual antes de empezar. Si no se observan las instrucciones de seguridad siguientes se pueden producir lesiones graves o la muerte.