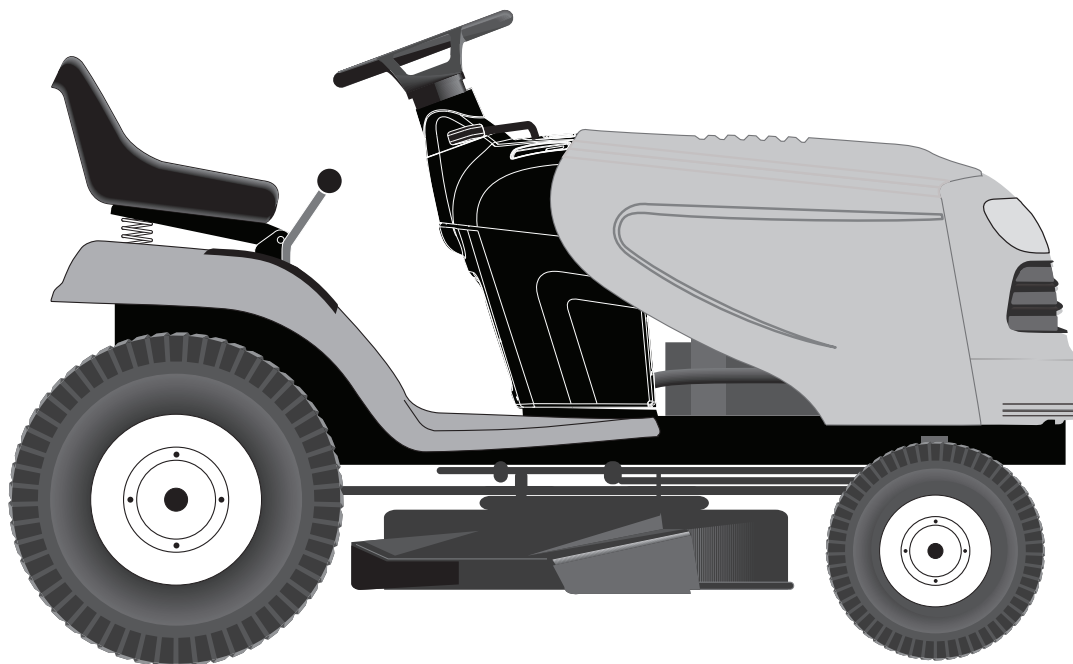


IMPORTANT MANUAL

DO NOT THROW AWAY

POULAN[®] PRO



REPAIR PARTS MANUAL

MODEL:

PP175G46

LAWN TRACTOR

ALWAYS WEAR EYE PROTECTION DURING OPERATION

Visit our website: www.poulanpro.com

589 47 85-01 Rev. 5



WARNING:

Read this Manual and follow all Warnings and Safety Instructions. Failure to do so can result in serious injury.

03.24.17 BD

Printed in the U.S.A.

HOW TO USE THIS MANUAL

This manual is designed to provide the customer with a means to identify the parts on his/her tractor when ordering repair parts. The illustrations may or may not represent the actual assemblies; therefore, it is not recommended to use this manual as a guide to assemble or disassemble the tractor. Some hardware and parts are drawn larger in order to more readily identify them.

Each tractor has its own model number.

The model number for your tractor can be found on the fender under the seat.

When ordering parts, always give the following information:

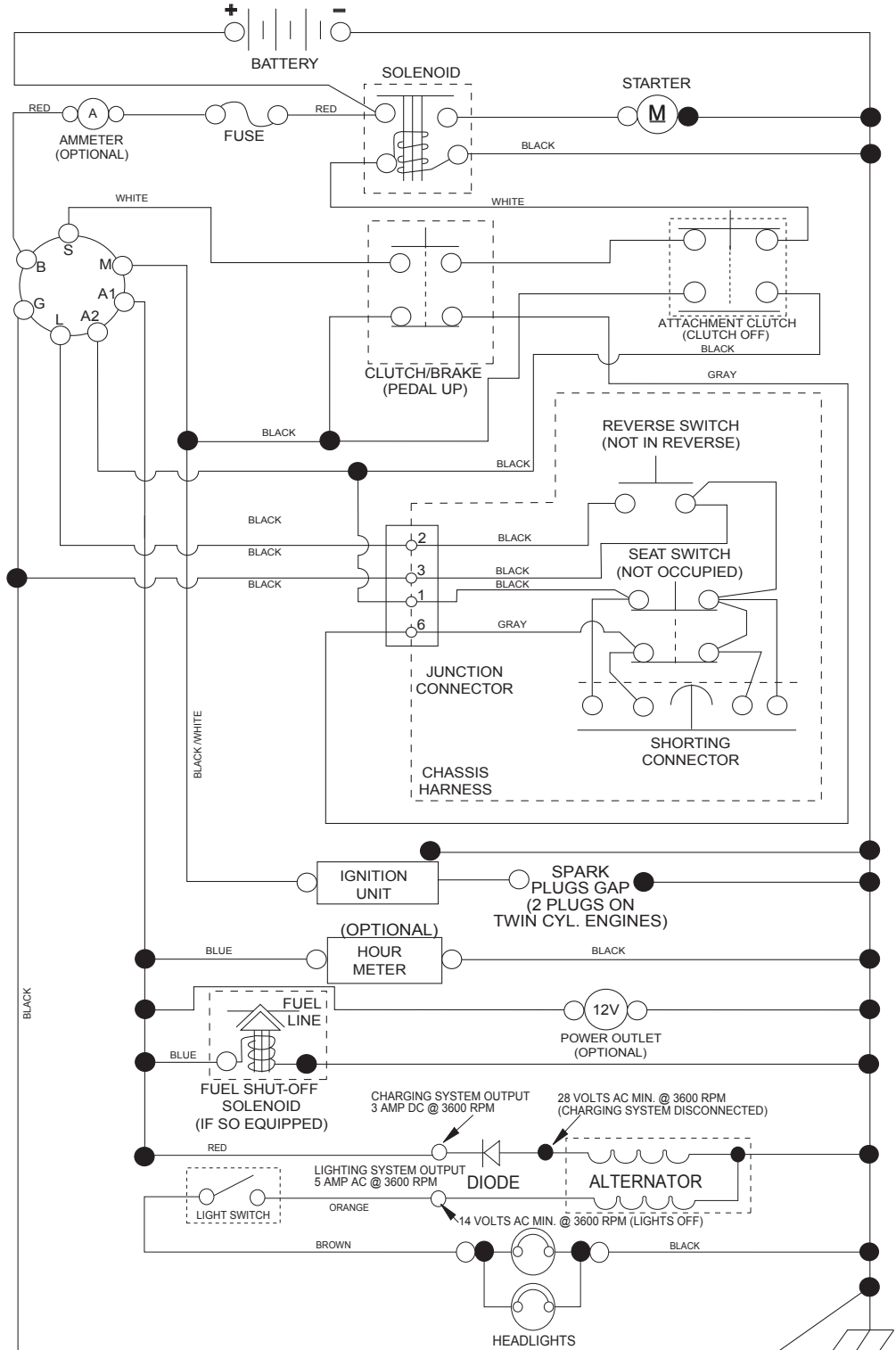
- Product - "TRACTOR"
- MODEL NUMBER - "PP175G46 (96042019500)"
- Part Number
- Part Description

TABLE OF CONTENTS

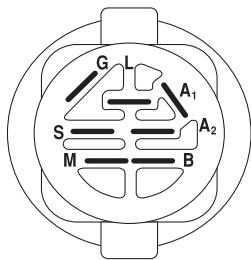
SCHEMATIC	3
ELECTRICAL.....	4-5
CHASSIS	6-7
DRIVE.....	8-9
ENGINE.....	10-11
STEERING	12-13
MOWER DECK	14-15
MOWER LIFT.....	16
SEAT	17
DECALS.....	18
PARTS AND SERVICE	20

TRACTOR - MODEL NUMBER PP175G46 (96042019500), PRODUCT NO. 960 42 01-95 SCHEMATIC

SCH11

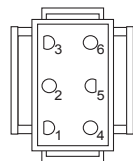


NOTE
YOUR TRACTOR IS EQUIPPED WITH A SPECIAL ALTERNATOR SYSTEM. THE LIGHTS ARE NOT CONNECTED TO THE BATTERY, BUT HAVE THEIR OWN ELECTRICAL SOURCE. BECAUSE OF THIS, THE BRIGHTNESS OF THE LIGHTS WILL CHANGE WITH ENGINE SPEED. AT IDLE THE LIGHTS WILL DIM. AS THE ENGINE IS SPEEDED UP, THE LIGHTS WILL BECOME THEIR BRIGHTEST.

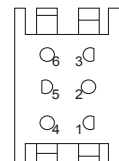


IGNITION SWITCH

POSITION	CIRCUIT	"MAKE"
OFF	M+G+A1	
RUN/OVERRIDE	B+A1	
RUN	B+A1	L+A2
START	B + S + A1	



CHASSIS HARNESS CONNECTOR (MATING SIDE)



DASH HARNESS CONNECTOR (MATING SIDE)

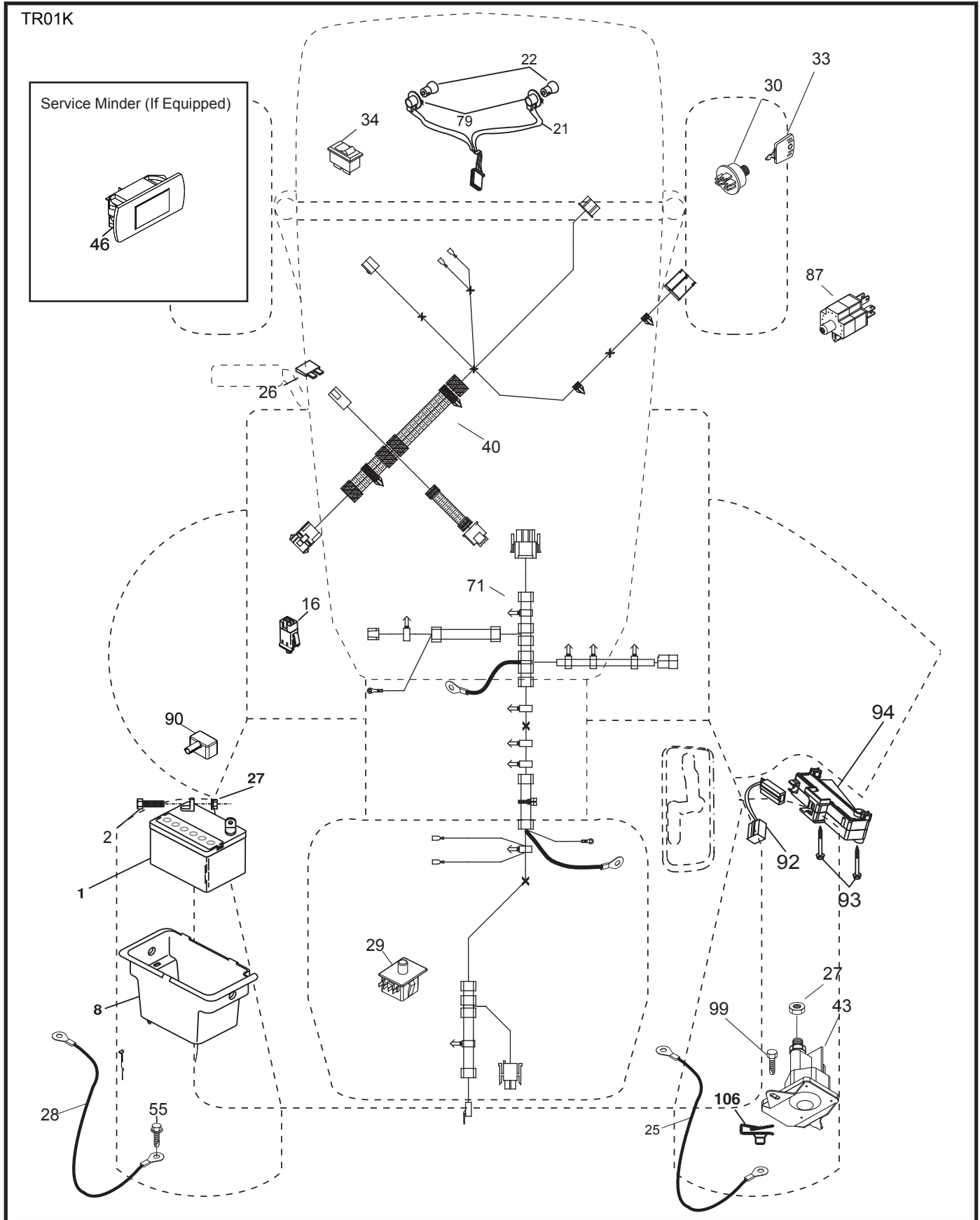
WIRING INSULATED CLIPS
NOTE: IF WIRING INSULATED CLIPS WERE REMOVED FOR SERVICING OF UNIT, THEY SHOULD BE RE-INSTALLED TO PROPERLY SECURE YOUR WIRING.

NON-REMOVABLE CONNECTIONS

REMOVABLE CONNECTIONS

REPAIR PARTS

TRACTOR - MODEL NUMBER PP175G46 (96042019500), PRODUCT NO. 960 42 01-95
ELECTRICAL



REPAIR PARTS

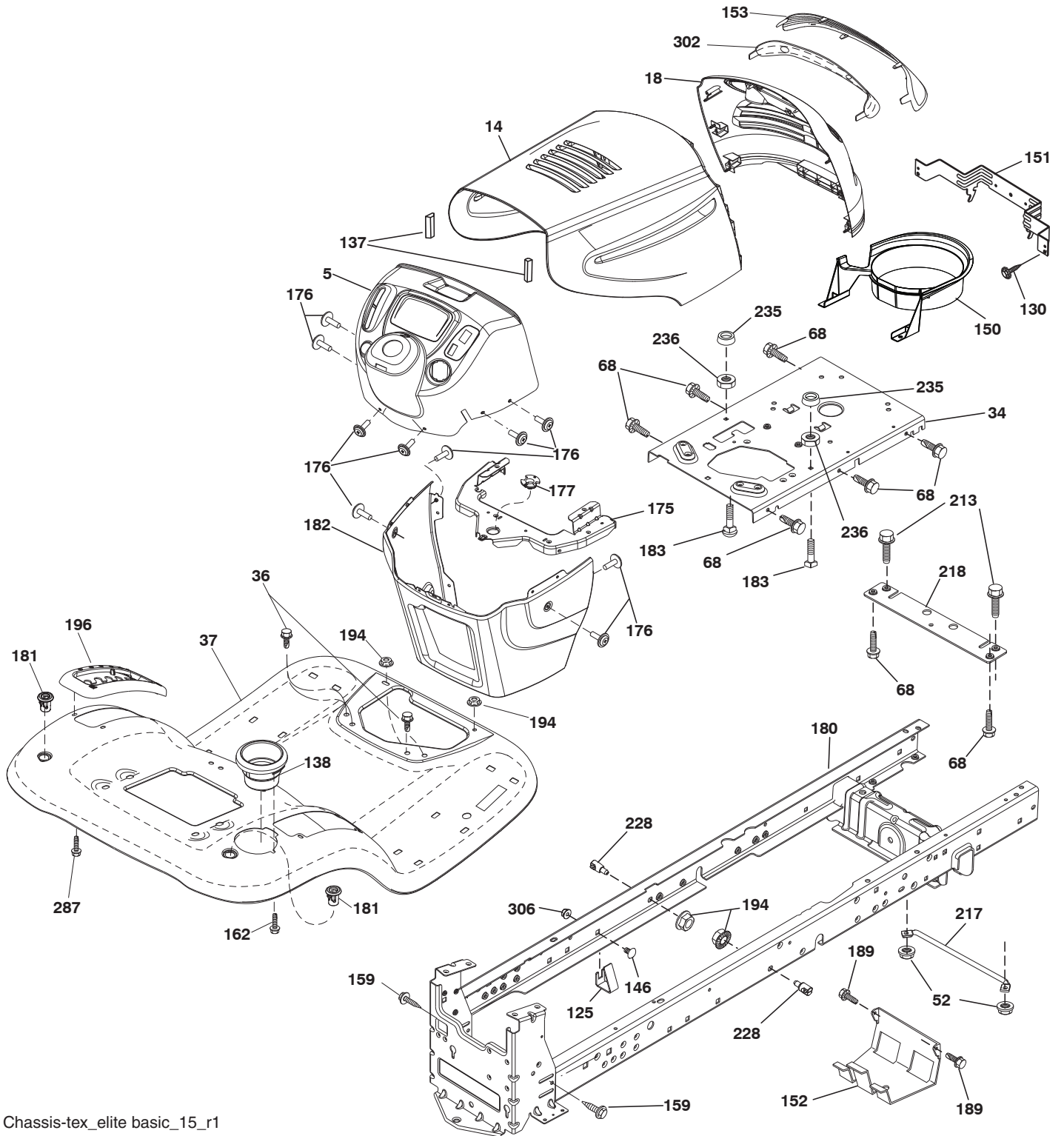
TRACTOR - MODEL NUMBER PP175G46 (96042019500), PRODUCT NO. 960 42 01-95
ELECTRICAL

KEY NO.	PART NO.	DESCRIPTION
1	532 14 49-25	Battery 12 Volt 25 Amp Wet
2	874 76 04-12	Bolt Hex Hd 1/4-20 unc x 3/4
8	532 19 32-28	Box Battery Mount Front Lt
16	532 17 61-38	Switch Interlock Nono Gray
21	532 18 37-59	Harness Asm. Light 22" (4152j)
22	532 00 41-52	Bulb Light #1156
25	581 49 80-01	Cable Starter 6 G4 Bl/Red 14.5
26	532 17 51-58	Fuse 20 Amp.
27	873 51 04-00	Nut, Keps Hex 1/4-20 unc
28	532 42 16-86	Cable Black 22" Rear Batt. Tex
29	532 19 27-49	Switch Seat.
30	532 19 33-50	Switch Ign. Dlta. P-In. Ros
33	532 41 19-33	Key/Chain Blister Pack Gen.Ce
34	532 11 07-12	Switch Light/Reset B/B/Red
40	581 02 31-01	Harness Ign Dash
43	582 04 28-01	Solenoid w/Brass Plunger
55	817 06 05-12	Screw 5/16-18 x 3/4 Smgml Tap/R
71	501 13 37-01	Harness Ign. Chassis
79	532 17 52-42	Socket Asm. Bulb Twistlock
87	532 19 78-02	Switch Interlock Clutch Cable
90	532 43 53-95	Cover Terminal Battery Fr. Tex
92	532 19 66-15	Harness Pigtail Consle Ros. Mlk
93	532 19 25-40	Screw Plastite 10-14 x 2.0
94	532 19 18-34	Module Reverse Ros.
99	817 67 04-12	Screw
106	532 17 48-14	Pal Nut

NOTE: All component dimensions given in U.S. inches
1 inch = 25.4 mm.

REPAIR PARTS

TRACTOR - MODEL NUMBER PP175G46 (9604201950), PRODUCT NO. 960 42 01-95
CHASSIS



Chassis-tex_elite basic_15_r1

REPAIR PARTS

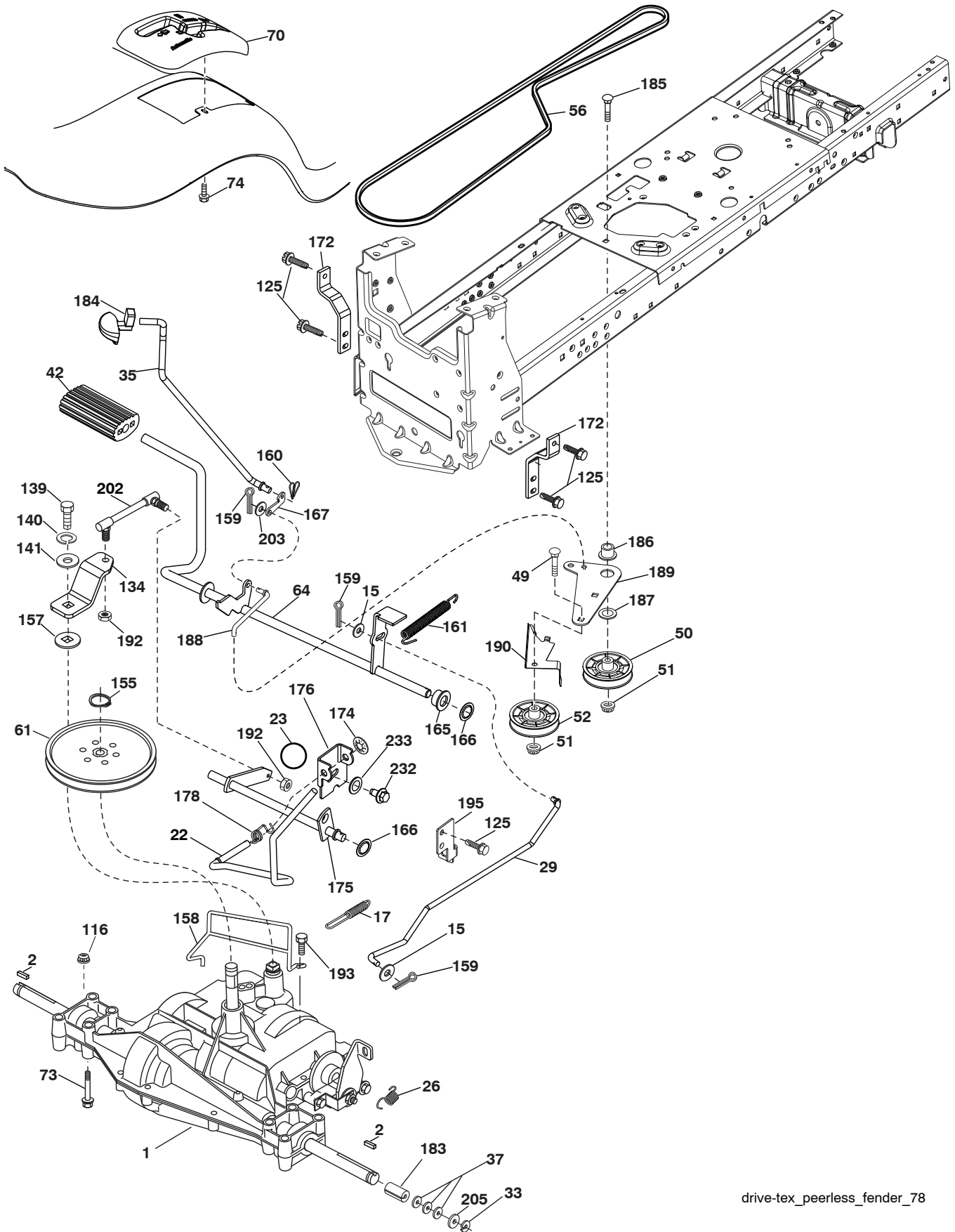
TRACTOR - MODEL NUMBER PP175G46 (96042019500), PRODUCT NO. 960 42 01-95
CHASSIS

KEY NO.	PART NO.	DESCRIPTION
5	532 41 17-64	Dash P/L Tex Cable
14	532 18 65-80	Hood
18	532 42 67-92	Grille
34	580 91 08-01	Plate Engine Welded Chassis
36	817 06 05-12	Screw 5/16-18 x 3/4 Smgml Tap/R
37	532 42 09-86	Fender Tlt w/Cph w/Fw 422
52	873 68 05-00	Nut Lock 5/16-18
68	817 49 05-08	Screw Thdrol 5/16-18 x 1/2 Tytt
125	581 68 48-01	Clip Fuel Line
130	532 41 63-58	Screw
137	532 18 49-21	Bumper Hood Large 1.75
138	532 40 97-30	Cupholder TI Tex
146	581 85 79-01	Bolt
150	532 18 44-61	Duct Intake Air
151	532 40 78-07	Bracket Pivot Hood
152	532 19 95-35	Shield Browning w/Tex
153	532 18 98-37	Lens Bar
159	817 00 06-12	Screw Hexwsh Thdrol 3/8-16 x 3/4 BI
162	532 14 24-32	Screw Hex Wsh Hi-Lo 1/4 x 1/2 unc
175	532 19 32-43	Crossmember Lt
176	532 40 07-76	Screw #10-24 x 5/8 Rnd. Qudrx. Gim
177	532 19 52-28	Bushing Steering Yt/Gt
180	532 19 54-57	Chassis Wldmt TI 12 Ga/2pc 18/22
181	532 40 47-96	Bushing Mtg. Fender Crgo. Blk Tex
182	532 19 30-57	Dash Lower Lt Ccs
183	874 52 05-20	Bolt 5/16-18 unc x 1-1/4
189	817 00 05-12	Screw 5/16-18 x 3/4.Smgml Tap/BI
194	873 90 05-00	Nut Lock Hex Flange 5/16-18
196	532 41 45-81	Console Asm. Deck Lift BI/Ybt.tlt
213	874 76 05-12	Bolt 5/16-18 x 3/4
217	532 40 91-67	Rod Pivot Hood
218	532 19 63-95	X-Piece Hood Stop
228	532 19 51-61	Stud Fastener w/'D'anti-Rotation
235	532 40 61-29	Spacer Fender
236	873 93 05-00	Nut Center Lock 5/16-18 unc
287	817 60 04-06	Screw Hex. Washead 1/4-20 x 3/8
302	532 18 38-23	Insert Reflective
306	873 90 06-00	Nut Lock

NOTE: All component dimensions given in U.S. inches
1 inch = 25.4 mm

REPAIR PARTS

TRACTOR - MODEL NUMBER PP175G46 (96042019500), PRODUCT NO. 960 42 01-95
DRIVE



drive-tex_peerless_fender_78

REPAIR PARTS

TRACTOR - MODEL NUMBER PP175G46 (96042019500), PRODUCT NO. 960 42 01-95
DRIVE

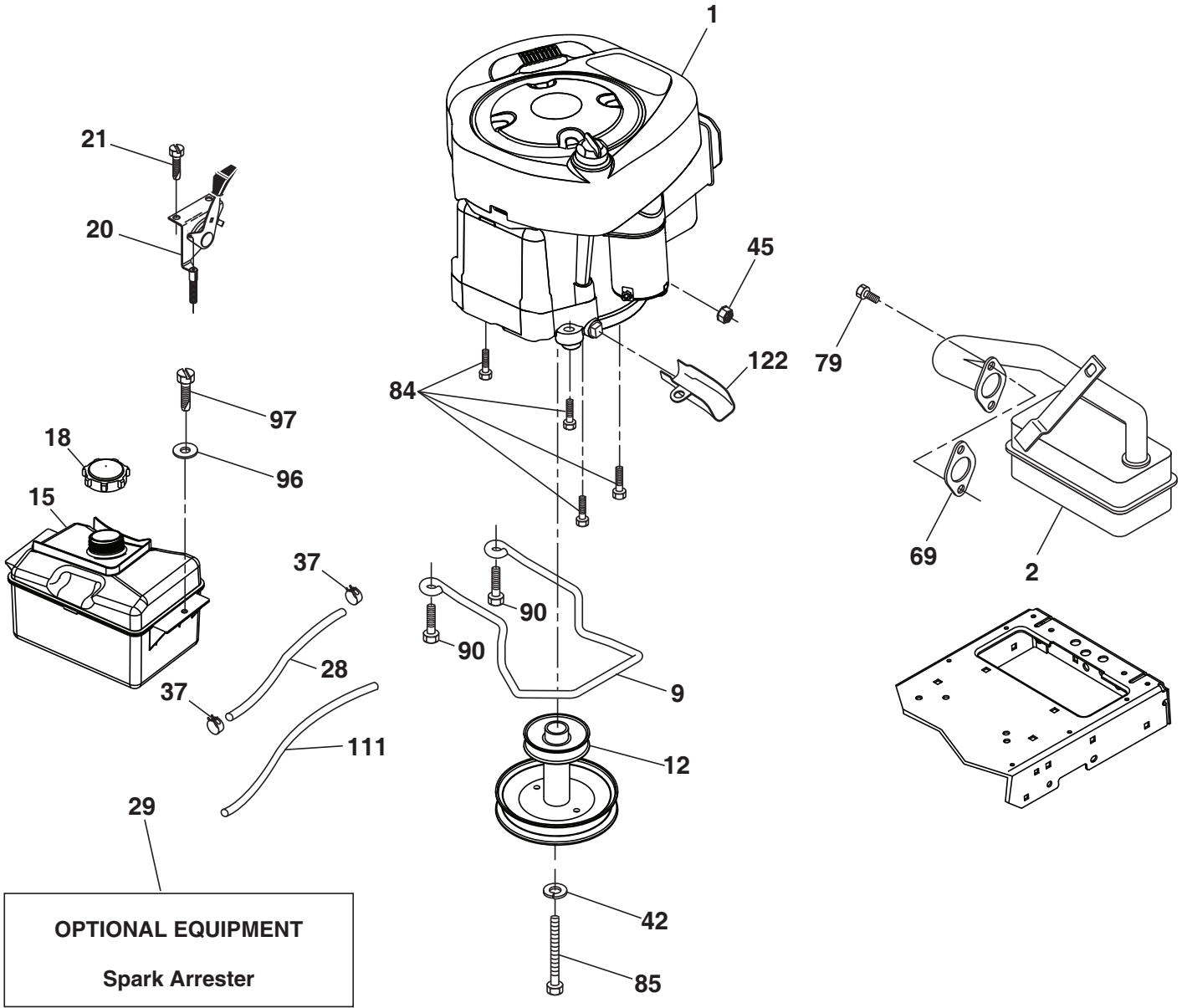
KEY NO.	PART NO.	DESCRIPTION
1	---	Transaxle, Peerless 206-565 (197941) (Order parts from transaxle manufacturer.)
2	532 12 35-83	Key Square
15	819 13 13-16	Washer 13/32 x 13/16 x 16 Ga.
17	532 19 72-97	Spring, Brake
22	532 19 76-60	Rod Shift
23	532 10 69-33	Knob
26	532 19 74-55	Spring Brake Return
29	532 19 72-67	Rod, Brake
33	812 00 00-01	Ring E
35	532 19 77-22	Rod, Brake, Park
37	532 12 17-49	Washer 25/32 x 1-1/4 x 16 Ga.
42	532 12 48-72	Cover, Foot Pedal
49	872 11 06-14	Bolt
50	532 19 43-27	Pulley Idler Flat
51	873 90 06-00	Lock Nut 3/8-16
52	532 19 43-26	Idler V-Groove
56	532 19 43-46	V-Belt, Drive
61	532 12 36-66	Pulley Transaxle
64	532 19 62-00	Shaft Asm. Pedal Brake Control
70	532 41 12-90	Console Shift
73	874 49 05-40	Bolt Hex Flghd 5/16-18 x 2/12 G5
74	532 14 24-32	Screw Hex Wsh 1/4 x 1/2
116	873 90 05-00	Nut Lock Hex Flange 5/16-18
125	817 00 05-12	Screw 5/16-18 x 3/4
134	532 19 76-58	Asm Shift
139	874 55 04-12	Bolt 1/4-28 unF Gr. 8 w/Patch
140	810 04 04-00	Washer Lock Hvy Helical 1/4
141	819 09 12-10	Washer 9/32 x 3/4 x 10 Ga.
155	812 00 00-28	Ring Retainer
157	532 10 57-01	Washer Plate Shift
158	532 19 43-52	Belt Keeper

KEY NO.	PART NO.	DESCRIPTION
159	876 02 04-12	Pin Cotter 1/8 x 3/4
160	532 16 94-84	Retainer Clip
161	532 10 57-09	Spring, Return, Clutch
165	532 19 62-12	Bushing Shaft Brake Hand Control
166	532 42 91-64	Nut Push .625
167	532 40 52-57	Latch Brake Parking
172	532 19 76-57	Strap Torque LH
174	532 19 72-89	Nut Push
175	532 19 62-24	Shaft Asm. Shift
176	532 19 62-14	Arm Clevis Rod Shift
178	532 19 74-56	Spring Shift
183	532 13 70-57	Spacer Axle
184	532 40 96-30	Handle Parking Brake
185	872 11 06-22	Bolt 3/8-16 unC x 2-3/4 Gr. 5
186	532 19 43-21	Spacer Retainer
187	819 13 32-10	Washer
188	532 19 43-23	Link Clutch Ground Drive
189	532 19 43-17	Bellcrank Ground Drive
190	532 19 43-18	Keeper Bellcrank Ground Drive
192	532 15 03-60	Nut Lock Center 1/4-28 Fnthd
193	817 06 05-12	Screw 5/16-18 x 3/4
195	532 19 73-32	Bracket Brake Rod
202	532 16 62-31	Link Transaxle
203	819 11 11-16	Washer 11/32 x 11/16 x 16 Ga.
205	532 12 17-48	Washer 25/32 x 1-5/8 16 Ga.
232	874 78 07-16	Bolt Hex 7/16-14 x 1 Gr. 5
233	532 40 52-96	Washer Serrated

NOTE: All component dimensions given in U.S. inches
1 inch = 25.4 mm

REPAIR PARTS

TRACTOR - MODEL NUMBER PP175G46 (96042019500), PRODUCT NO. 960 42 01-95
ENGINE



engine-tex_BS_114

REPAIR PARTS

TRACTOR - MODEL NUMBER PP175G46 (96042019500), PRODUCT NO. 960 42 01-95
ENGINE

KEY NO.	PART NO.	DESCRIPTION
1	— — — —	Engine Briggs Model No. 31R907-0018-G1 (586044401)(Order Parts From Engine Manufacturer.)
2	532 13 73-52	Muffler Asm
9	582 54 03-02	Keeper Belt Engine
12	532 40 51-40	Pulley Engine
15	532 43 30-08	Tank Fuel
18	581 17 61-01	Cap Fuel
20	532 17 05-45	Control Throttle/Choke
21	532 41 63-58	Screw
28	532 40 11-37	Line Fuel 22" Front. Emis. Ca. Lp
29	532 13 71-80	Kit Spark Arrestor (392390 B&S)
37	532 12 34-87	Clamp Hose Blk.
42	810 04 07-00	Washer Lock Hvy Hlcl. Spr. 7/16
45	873 51 04-00	Nut, Keps Hex 1/4-20 unc
69	532 16 52-91	Gasket Muffler
79	532 19 23-34	Screw 5/16 - 18 x .75
84	817 06 06-20	Screw 3/8-16 x 1-1/4
85	501 60 65-01	Bolt. Hex. 7/16-20 x 4 x Gr. 5-1.5 Blue
90	817 00 06-16	Screw 3/8-16 x 1 Smgml. Tap/R. Blk
96	819 09 14-16	Washer 9/32 x 7/8 X 16 Ga
97	817 67 04-12	Screw 1/4-20 x 3/4
111	532 41 41-19	Purge Line
122	532 42 19-22	Extension Drain Oil

NOTE: All component dimensions given in U.S. inches
1 inch = 25.4 mm

For engine service and replacement parts, call the toll free number for your engine manufacturer listed below:

Briggs & Stratton 1-800-233-3723

Engine Power Rating Information

The gross power rating for individual gas engine models is labeled in accordance with SAE (Society of Automotive Engineers) code J1940 (Small Engine Power & Torque Rating Procedure), and rating performance has been obtained and corrected in accordance with SAE J1995 (Revision 2002-05). Torque values are derived at 3060 RPM; horsepower values are derived at 3600 RPM. Actual gross engine power will be lower and is affected by, among other things, ambient operating conditions and engine-to-engine variability. Given both the wide array of products on which engines are placed and the variety of environmental issues applicable to operating the equipment, the gas engine will not develop the rated gross power when used in a given piece of power equipment (actual "on-site" or net power). This difference is due to a variety of factors including, but not limited to, accessories (air cleaner, exhaust, charging, cooling, carburetor, fuel pump, etc.), application limitations, ambient operating conditions (temperature, humidity, altitude), and engine-to-engine variability. Due to manufacturing and capacity limitations, Briggs & Stratton may substitute an engine of higher rated power for this Series engine.

REPAIR PARTS

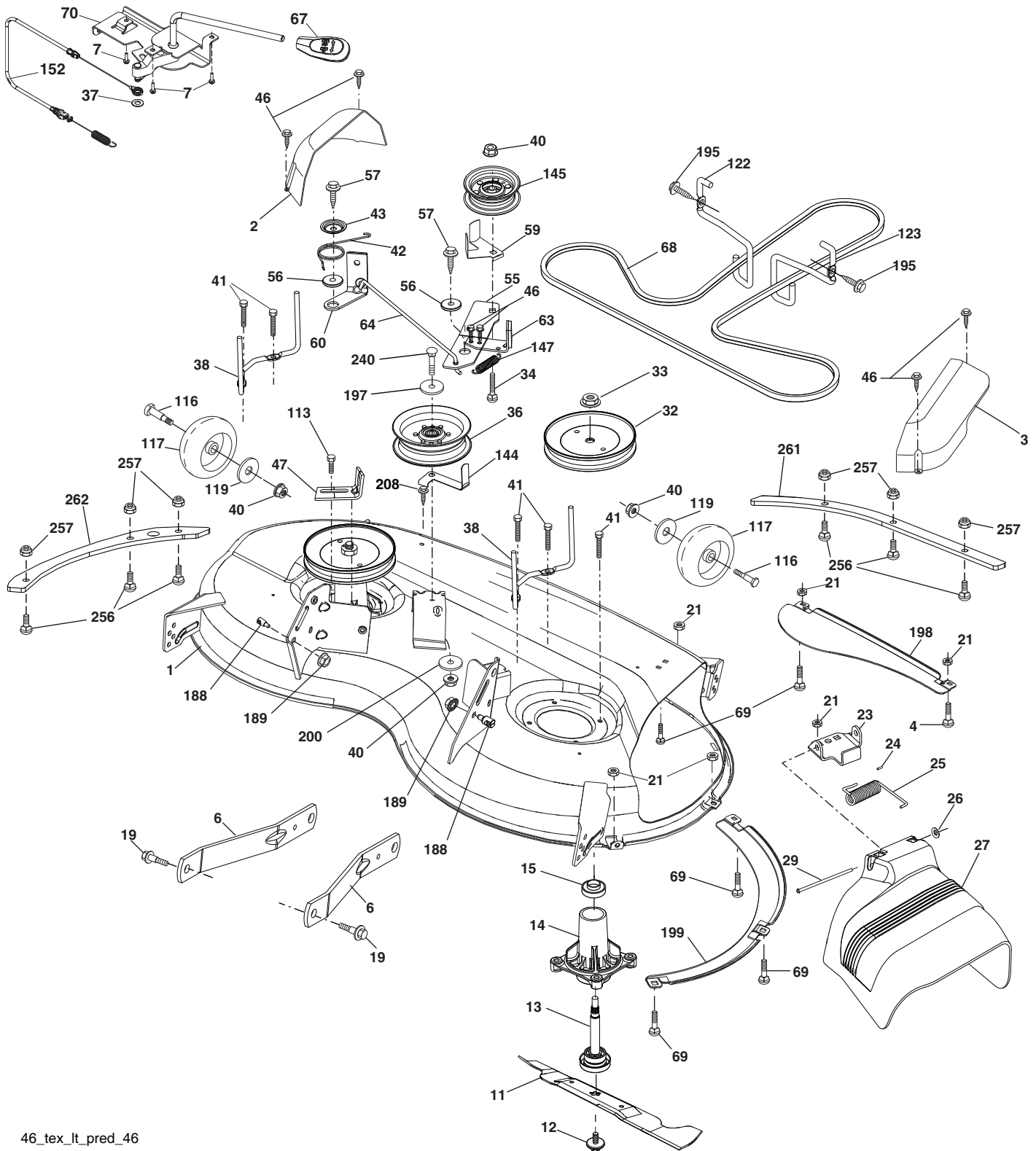
TRACTOR - MODEL NUMBER PP175G46 (96042019500), PRODUCT NO. 960 42 01-95
STEERING

KEY NO.	PART NO.	DESCRIPTION
1	532 42 45-43	Wheel, Steering
2	532 41 81-68	Axle Asm., Front
4	532 40 30-87	Spindle Asm., LH
5	532 40 30-88	Spindle Asm., RH
6	532 12 49-31	Washer Thrust .75 x 1.230
7	532 12 17-48	Washer 25/32 x 1-5/8 x 16 Ga.
8	812 00 00-29	Ring, Klip #T5304-75
9	532 12 12-32	Cap, Spindle
13	532 12 17-49	Washer 25/32 x 1-1/4 x 16 Ga.
14	810 04 06-00	Washer, Lock Hvy Hlcl Spr 3/8
15	873 54 06-00	Nut, Crown Lock 3/8-24 unf
16	585 86 92-02	Steering Shaft
19	532 19 47-29	Plate Steering
20	532 41 12-91	Boot, Steering
21	532 18 67-37	Adapter, Wheel Steering
22	585 02 98-02	Bearing Shaft
26	532 42 46-91	Insert, Wheel Steering
27	819 21 16-16	Washer 21/32 x 1 x 16 Ga.
28	817 00 06-12	Screw 3/8-16 x 3/4
33	810 04 05-00	Washer Lock 5/16
35	532 19 47-32	Gear, Sector Plate
45	819 11 38-12	Washer 11/32 x 3/8 x 12 Ga.
53	532 18 89-67	Washer Hardened .793 x 1.637 x .060
57	532 40 74-65	Bracket Upstop
58	532 19 47-47	Bolt Shoulder Sector Pivot CFM
59	532 19 47-48	Washer Thrust Sector Steering
60	873 97 10-00	Nut Flange Lock 5/8-11
61	532 19 47-40	Draglink, LH
62	532 19 47-41	Draglink, RH
63	817 00 05-12	Screw 5/16-18 x 3/4
64	532 19 98-49	Retainer Clip Spring Steering
66	871 02 07-48	Bolt Hex Fghd 7/16-14 x 3 Serr
67	532 19 47-37	Bushing PM Front Axle
68	873 90 07-00	Nut Lock Flange 7/16-14 Gr. 5
69	532 19 91-62	Washer 1.5 x .505 x .118
70	585 33 88-01	Bracket Deck Susp. Front
71	532 19 07-52	Shaft Extension Steering
72	532 42 89-82	Bolt 5/16-18 x 4
74	532 12 49-37	Bearing
75	580 68 37-01	Pinion
76	580 68 36-01	Screw Head Sock
122	532 44 49-62	Cap Gear Sector

NOTE: All component dimensions given in U.S. inches
1 inch = 25.4 mm

REPAIR PARTS

TRACTOR - MODEL NUMBER PP175G46 (96042019500), PRODUCT NO. 960 42 01-95
MOWER DECK



46_tex_lt_pred_46

REPAIR PARTS

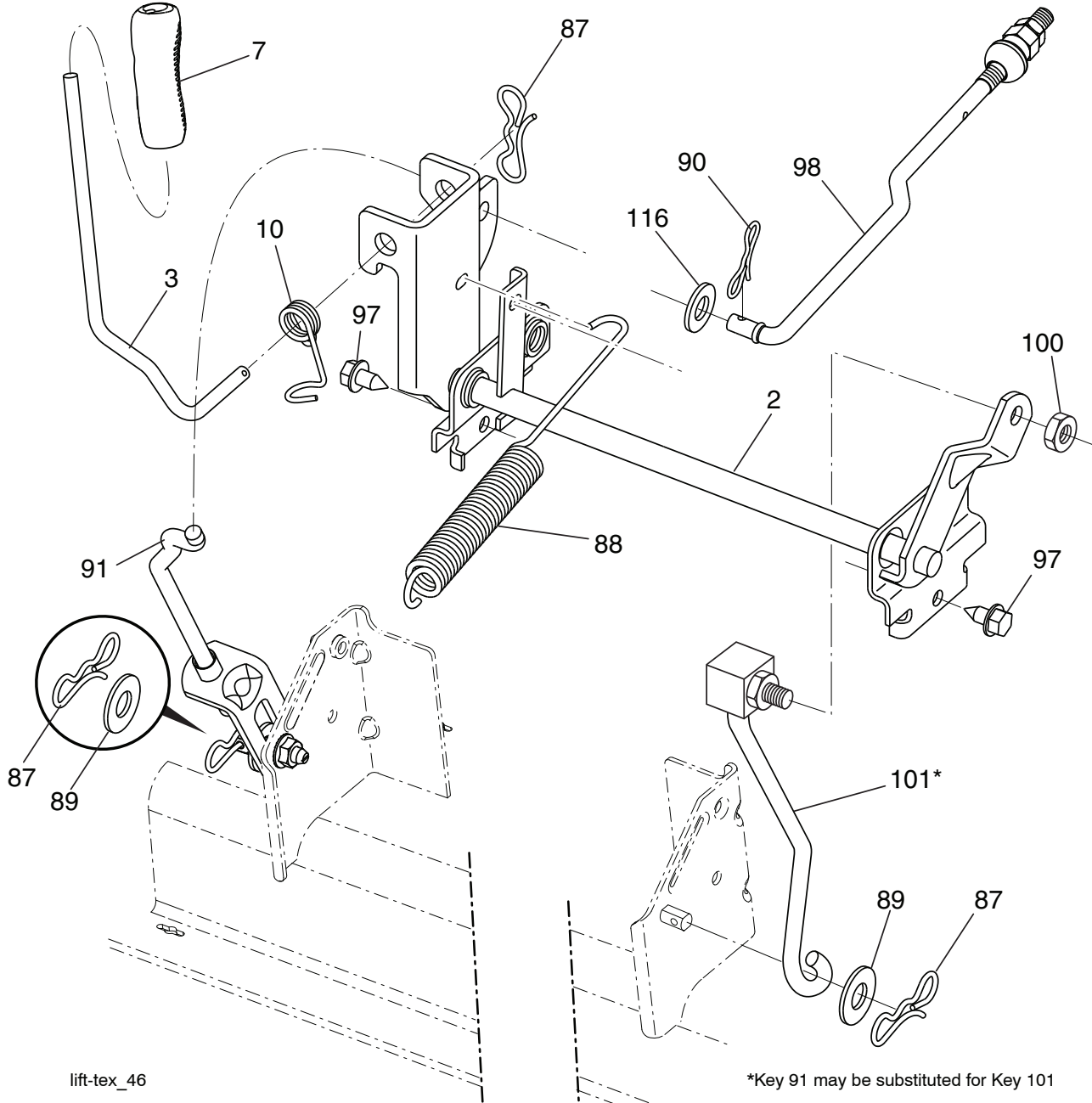
**TRACTOR - MODEL NUMBER PP175G46 (96042019500), PRODUCT NO. 960 42 01-95
MOWER DECK**

KEY NO.	PART NO.	DESCRIPTION	KEY NO.	PART NO.	DESCRIPTION
1	589 53 53-09	Mower Housing	69	872 14 05-05	Bolt
2	532 40 55-07	Cover Mandrel LH	70	532 19 83-32	Clutch Asm. Manual
3	532 40 55-06	Cover Mandrel RH	113	817 00 05-10	Bolt 5/16-18
4	874 76 05-12	Bolt Hex Hd 5/16-18 unc	116	532 12 48-42	Bolt, Shoulder
6	532 19 51-86	Arm Suspension	117	532 18 86-06	Wheel, Gauge
7	532 41 63-58	Screw #10 x 0.750	119	819 12 14-14	Washer 3/8 x 7/8 x 14 Ga.
11	532 40 53-80	Blade	122	532 19 72-58	Keeper Belt Engine LH
12	584 30 93-01	Screw Sems 7/16-20 x 1 Hx Hd	123	532 19 72-59	Keeper Belt Engine RH
13	587 25 65-01	Shaft Assembly, Mandrel	144	532 19 92-04	Keeper Belt Mower
14	532 18 72-81	Housing, Mandrel	145	532 19 31-97	Pulley, Idler, Primary
15	585 32 39-01	Bearing, Ball, Mandrel	147	532 40 18-72	Spring Mower Deck
19	532 19 65-39	Bolt, Shoulder	152	584 24 35-01	Cable Clutch Manual
21	873 68 05-00	Nut, Crownlock 5/16-18 unc	188	532 19 51-61	Stud Fastener
23	532 19 25-57	Bracket, Deflector	189	873 90 05-00	Nut Lock Hex Flange
24	532 10 53-04	Cap, Sleeve	195	817 00 06-12	Screw 3/8-16 x 3/4
25	532 19 70-26	Spring, Torsion, Deflector	197	819 13 13-12	Washer 13/32 x 13/16 x 12 Ga.
26	532 11 04-52	Nut, Push	198	532 40 31-49	Baffle Center Front
27	532 40 53-57	Shield, Deflector	199	532 40 31-50	Baffle Front RH
29	532 13 14-91	Rod, Hinge	200	532 41 35-24	Washer 13/32 x 1 x 1/2 x 11 Ga.
32	532 19 74-73	Pulley, Mandrel	208	817 67 06-08	Screw Thdrol 3/8-16 x 1/2
33	532 40 02-34	Nut, Toplock, Flanged	240	874 52 06-36	Bolt Fin Hex 3/8-16 x 2-1/4 Gr. 5
34	872 11 06-12	Bolt Carr Sh. 3/8-16 x 1-1/2 Gr. 5	256	539 10 98-00	Carriage Bolt 1/4-20 x 1 Gr. 5
36	532 19 73-79	Pulley Idler	257	873 90 04-00	Nut Hex Flg 1/4-20 unc
37	819 13 13-16	Washer 13/32 x 13/16 x 16 Ga.	261	589 48 18-05	Plate Reinforcement Front
38	532 43 25-20	Keeper Belt Mower	262	589 48 20-05	Plate Reinforcement Side
40	873 90 06-00	Nut, Lock Flg. 3/8-16 unc	--	587 25 33-01	Mandrel Assembly (Includes housing (key# 14), shaft assembly (key# 13), bearing (key# 15) and nut (key# 33) only-pulley/washer and blade bolt/washer not included.)
41	584 95 39-01	Bolt Hex Wsh Hd 3/13-18 x 1.19	--	501 65 35-01	Replacement Mower, Complete
42	532 19 84-10	Spring Torsion Brake			
43	532 19 72-56	Spring Torsion Retainer			
46	532 13 77-29	Screw 1/4-20 x 5/8			
47	532 19 72-50	Clutch Cable			
55	532 19 72-49	Arm, Idler			
56	532 19 90-92	Spacer, Retainer			
57	817 00 06-16	Screw 3/8-16 x 1			
59	532 14 10-43	Guard, Tuv Idler			
60	532 19 94-71	Arm Brake Mower			
63	532 19 94-77	Arm Brake Mower			
64	532 40 51-38	Linkage Asm. Brake			
67	532 40 30-12	Handle Clutch Cable			
68	532 40 51-43	Belt, Drive			

NOTE: All component dimensions given in U.S. inches
1 inch = 25.4 mm

REPAIR PARTS

TRACTOR - MODEL NUMBER PP175G46 (96042019500), PRODUCT NO. 960 42 01-95
MOWER LIFT



lift-tex_46

*Key 91 may be substituted for Key 101

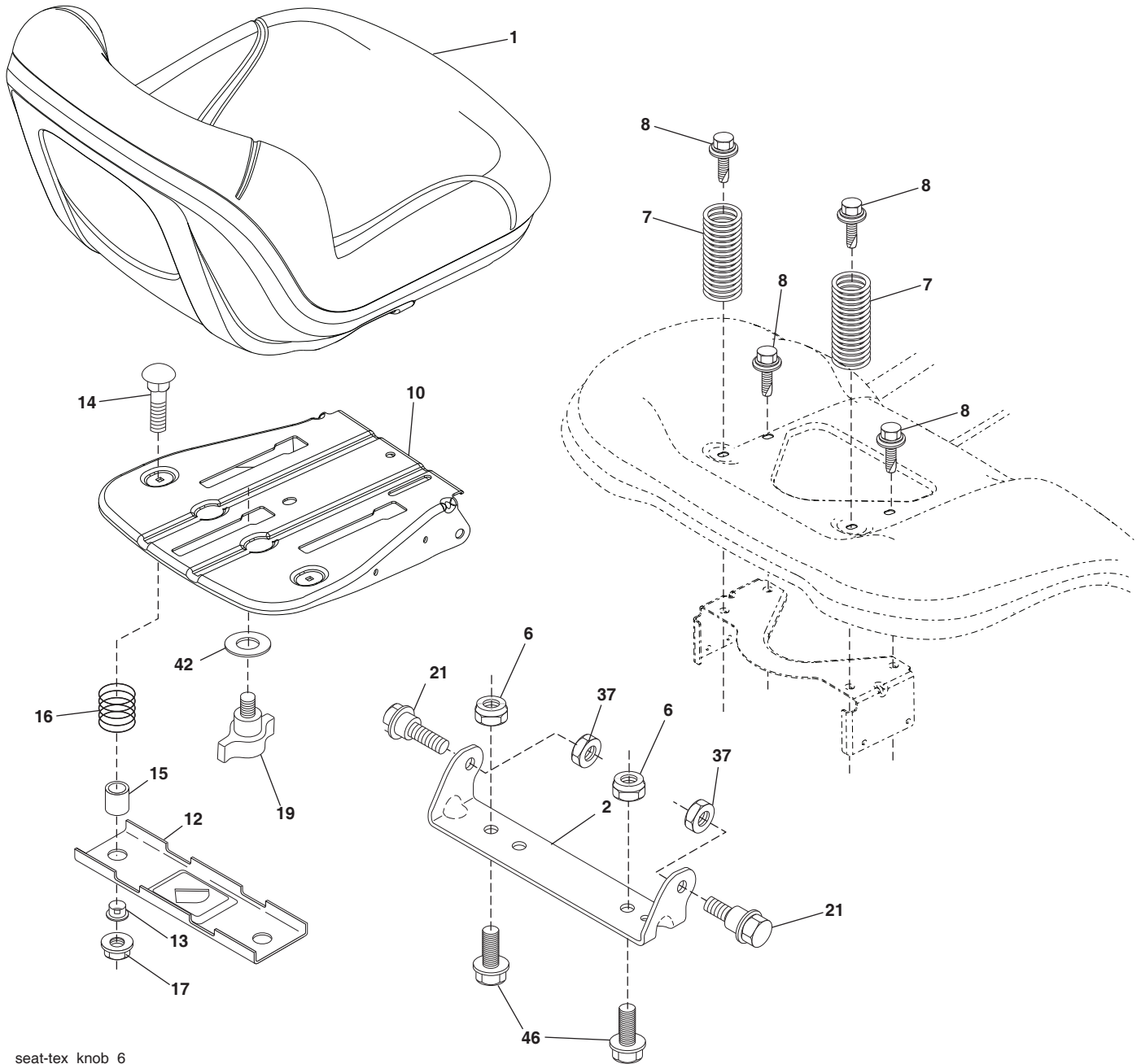
KEY NO.	PART NO.	DESCRIPTION
2	532 42 20-27	Shaft Asm., Lift
3	532 19 52-31	Lever Lift Handle Lt
7	580 96 23-01	Grip Lever 5625 Ld Black 428
10	532 19 63-14	Spring Torsion Handle Lift
87	532 19 42-09	Pin Cotter 7/16 Bow Tie Lock
88	532 41 07-10	Spring Lift Assist
89	819 19 19-12	Washer Clear Zinc
90	532 19 42-08	Pin Cotter 5/16 Bow Tie Lock
91	532 19 51-81	Link Asm Lift Lh Rear

KEY NO.	PART NO.	DESCRIPTION
97	817 00 06-12	Screw Hexwsh Thdr 3/8-16 x 3/4 Bl
98	532 19 52-70	Link Asm Susp Front Mwr 11
100	873 93 06-00	Nut Centerlock 3/8-16 unc
101	532 40 70-03	Link Asm Lift Fixed 38/42/46"
116	819 15 15-16	Washer 15/32 x 15/16 x 16 Ga.

NOTE: All component dimensions given in U.S. inches
1 inch = 25.4 mm

REPAIR PARTS

TRACTOR - MODEL NUMBER PP175G46 (96042019500), PRODUCT NO. 960 42 01-95
SEAT



seat-tex_knob_6

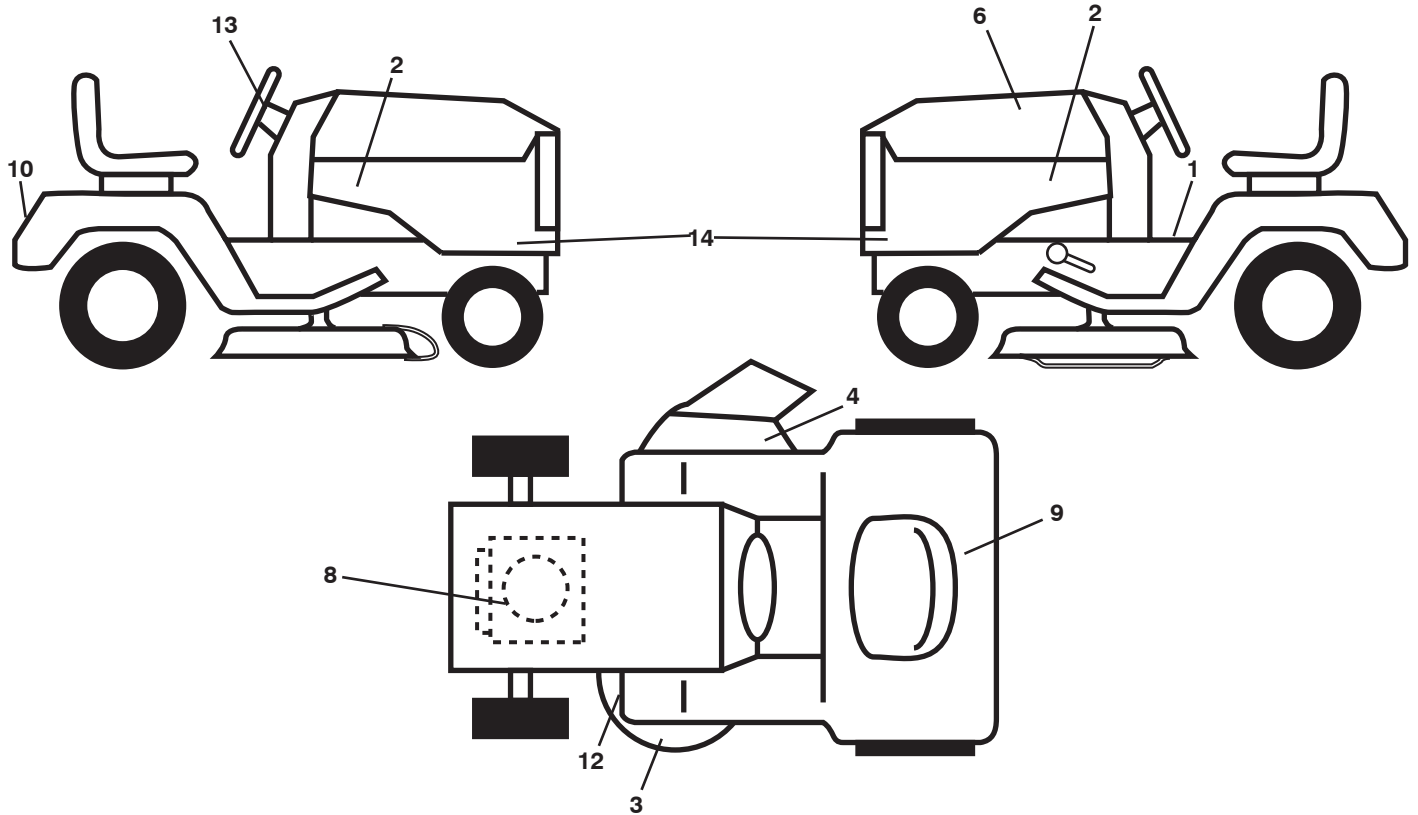
KEY NO.	PART NO.	DESCRIPTION
1	532 19 75-14	Seat
2	532 18 01-66	Bracket Pivot Fender
6	873 80 06-00	Nut, Lock w/Ins. 3/8-16 unc
7	587 61 33-01	Spring, Seat Cprsn
8	532 17 18-77	Bolt 5/16-18 unc x 3/4 w/Sems
10	532 44 18-05	Pan, Seat
12	532 19 93-70	Bracket Mnt.
13	532 12 12-48	Bushing Snap
14	872 05 04-12	Bolt 1/4-20 x 1-1/2
15	532 13 43-00	Spacer Split
16	532 12 37-40	Spring CPRSN Plate

KEY NO.	PART NO.	DESCRIPTION
17	532 12 39-76	Nut Lock 1/4
19	532 19 93-72	Knob Seat
21	587 90 78-01	Bolt, Shoulder 5/16-18 x 5/8
37	873 80 05-00	Nut, Lock 5/16-18 unc
42	532 19 93-71	Cup Washer
46	588 09 04-01	Bolt 3/8-16 x 1, 1.25 OD

NOTE: All component dimensions given in U.S. inches
1 inch = 25.4 mm

REPAIR PARTS

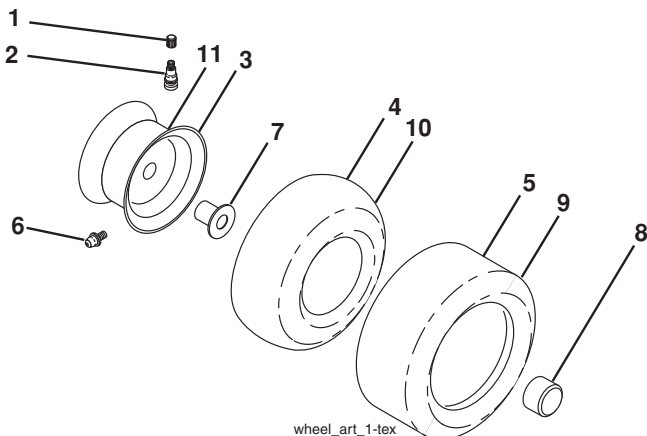
TRACTOR - MODEL NUMBER PP175G46 (96042019500), PRODUCT NO. 960 42 01-95
DECALS



KEY NO.	PART NO.	DESCRIPTION
1	581 57 89-01	Decal, Fender Warning
2	582 67 74-01	Decal, Tra. Blk.
3	587 71 20-01	Decal, PPRO. 104r Deck Warn.
4	584 90 46-01	Decal, Deflect. Warning
6	589 42 41-01	Decal, Replacement
8	585 55 50-01	Decal, Engine Hp
9	532 14 50-05	Decal, Battery Danger/Poi
10	582 67 73-01	Decal, Fender
12	581 58 00-01	Decal, Mower Belt Sch.

KEY NO.	PART NO.	DESCRIPTION
13	582 67 72-01	Decal, Wheel Steering
14	589 48 33-01	Decal, Side Panel
--	532 41 12-73	Pad Footrest RH
--	532 40 95-05	Pad Footrest LH
--	589 47 84-01	Manual, Operators (English/Spanish)
--	589 47 85-01	Manual, Parts (English/Spanish)
--	115 63 96-46	Manual, Quick Start Guide (English/Spanish)

WHEELS & TIRES



KEY NO.	PART NO.	DESCRIPTION
1	532 05 91-92	Cap, Valve, Tire
2	532 06 51-39	Stem, Valve
3	532 12 51-21	Rim Asm. 6" Front Srvc
4	532 05 99-04	Tube, Front
5	532 10 62-22	Tire, Front 15 x 6-6
6	532 12 49-57	Fitting Grease (Front Wheel Only)
7	532 12 49-59	Bearing Flange
8	532 19 32-68	Cap Axle Yellow
9	532 13 84-68	Tire Rear 20 x 8-8
10	532 12 49-26	Tube, Rear
11	532 12 51-22	Rim Asm. 8" Rear Srvc Yellow
--	532 14 43-34	Sealant, Tire (10 Oz. Tube)

NOTE: All component dimensions given in U.S. inches
1 inch = 25.4 mm

SERVICE NOTES

POULANPRO®

PARTS AND SERVICE

This product has been expertly engineered and carefully manufactured to rigid quality standards. As with all mechanical products, some adjustments or part replacement may be necessary during the life of your unit.

Support / Help

If you require assistance or have questions concerning the application, operation, maintenance or parts for your product:

- Visit our website: www.poulanpro.com
- Call Us Toll Free: 1-800-849-1297
- For replacement parts, have available the following information:
 - a. Model Number / Manufacturer's I.D. Number
 - b. Description of part.

NOTE: HOP provides parts and service through its authorized distributors and dealers; therefore, all requests for parts and service should be directed to your local dealer(s). The philosophy of HOP is to continually improve all of its products. If the operating characteristics or the appearance of your product differs from those described in this Manual, please contact your local dealer for updated information and assistance.

POULANPRO®

PARTES Y SERVICIOS

Este producto ha sido diseñado por expertos y fabricado con cuidado según estrictas normas de calidad. Como con todos los productos mecánicos, pueden requerirse algunos ajustes o el cambio de algunas piezas durante la vida útil de la unidad.

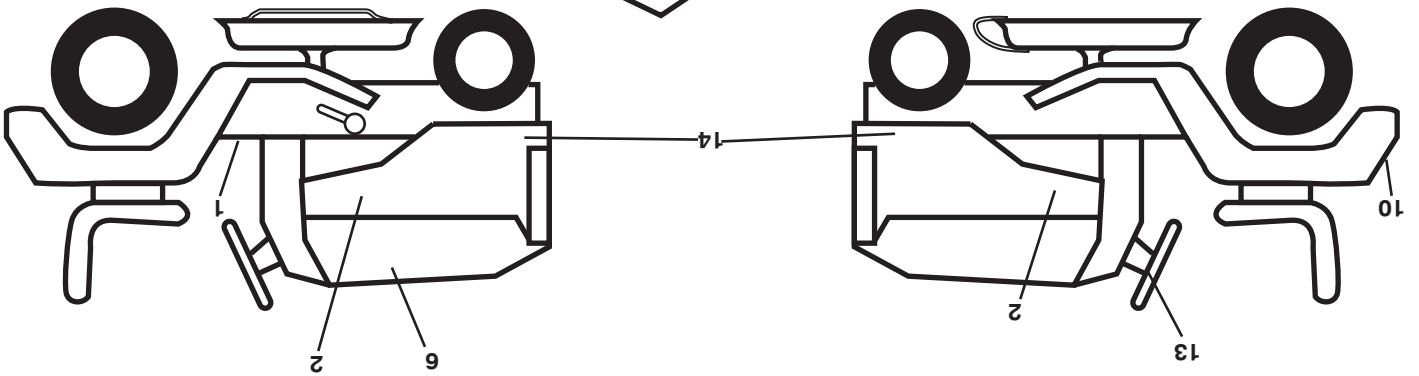
Soporte / Ayuda

Si necesita asistencia o tiene alguna pregunta acerca de la aplicación, operación, mantenimiento o piezas de su producto:

- Visite nuestro sitio web: www.poulanpro.com
- Llámennos de manera gratuita al: 1-800-849-1297
- Para obtener repuestos, tenga preparada la siguiente información:
 - a. Número de modelo / Número de I.D. del fabricante
 - b. Descripción de la pieza.

NOTA:

HOP ofrece piezas y servicio a través de sus distribuidores y concesionarios autorizados; por lo tanto, todas las solicitudes de piezas y servicio deben dirigirse a su concesionario local. Es la filosofía de HOP mejorar permanentemente todos sus productos. Si las características operativas o el aspecto de su producto difiere de los descritos en este Manual, contacte a su concesionario local para solicitar información actualizada y asistencia.



CÓDIGO PIEZA
No.

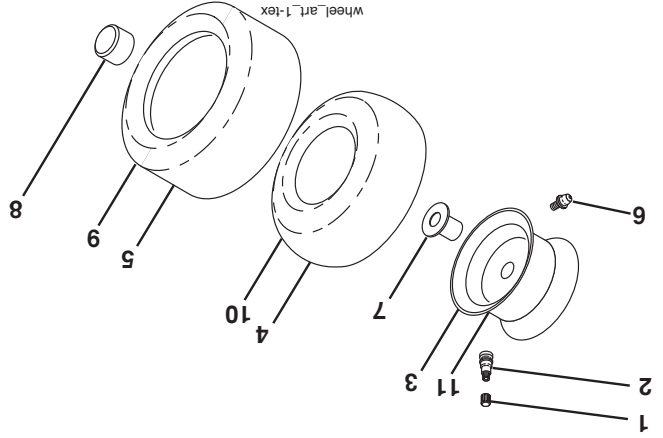
DESCRIPCIÓN

14	589 48 33-01	Calcomanía Para El Panel Lateral
--	532 41 12-73	Forro Del Apoyo Para Los Pies
--	532 40 95-05	Forro Del Apoyo Para Los Pies (L.)
--	589 47 84-01	Manual De Operario
--	589 47 85-01	Manual De Repuestos
--	115 63 96-48	Guía de inicio rápido
		(Inglés/Español)
		(Inglés/Español)

DESCRIPCIÓN

1	581 57 89-01	Calcomanía, Advertencia
2	582 67 74-01	Calcomanía Tra. Btk.
3	587 71 20-01	Calcomanía PPRO Advertencia
4	584 90 46-01	Calcomanía, Advertencia
6	589 42 41-01	Calcomanía De Reemplazo
8	585 55 50-01	Calcomanía, Motor
9	532 14 50-05	Calcomanía, Advertencia
10	582 67 73-01	Calcomanía Para El Guardabarros
12	581 58 00-01	Calcomanía, Correa Trapezoidal
13	582 67 72-01	Calcomanía Para El Volante De Dirección

RUEDAS Y NEUMÁTICOS



CÓDIGO PIEZA
No.

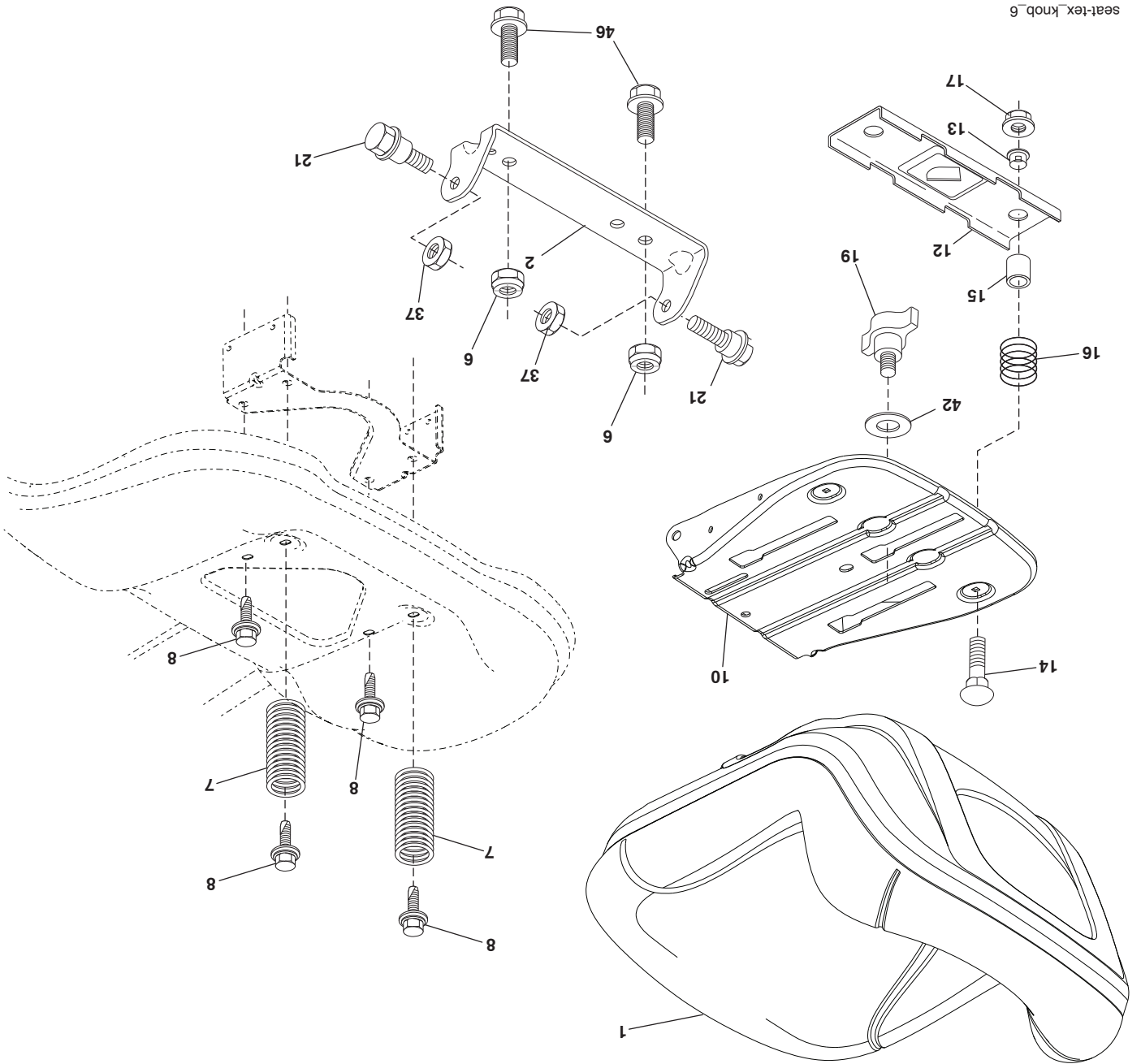
DESCRIPCIÓN

1	532 05 91-92	Tapa De La Válvula Del Neumático
2	532 06 51-39	Vástago De La Válvula
3	532 12 51-21	Neumático Delantero 15 x 6-6
4	532 05 99-04	Cámara Delantero
5	532 10 62-22	Ensamble De Las Llantas Delanteras
6	532 12 49-57	Accesorio Para Engrasar
7	532 12 49-59	Rodamiento De La Brida
8	532 19 32-68	Tapa Del Eje
9	532 13 84-68	Neumático Trasero 20 x 8-8
10	532 12 49-26	Ensamble Trasero De La Llantá 8"
11	532 12 51-22	Ensamble Trasero De La Llantá 8"
--	532 14 43-34	Sellador Para Neumáticos
		(Tubo De 10 Onzas [283 Gr])

NOTA: Las dimensiones de todos los componentes están expresadas en pulgadas = 25,4 mm

TRACTOR MODELO NO. PP175G46 (96042019500), PRODUCTO NO. 960 42 01-95

ENSAMBLE DEL ASIENTO



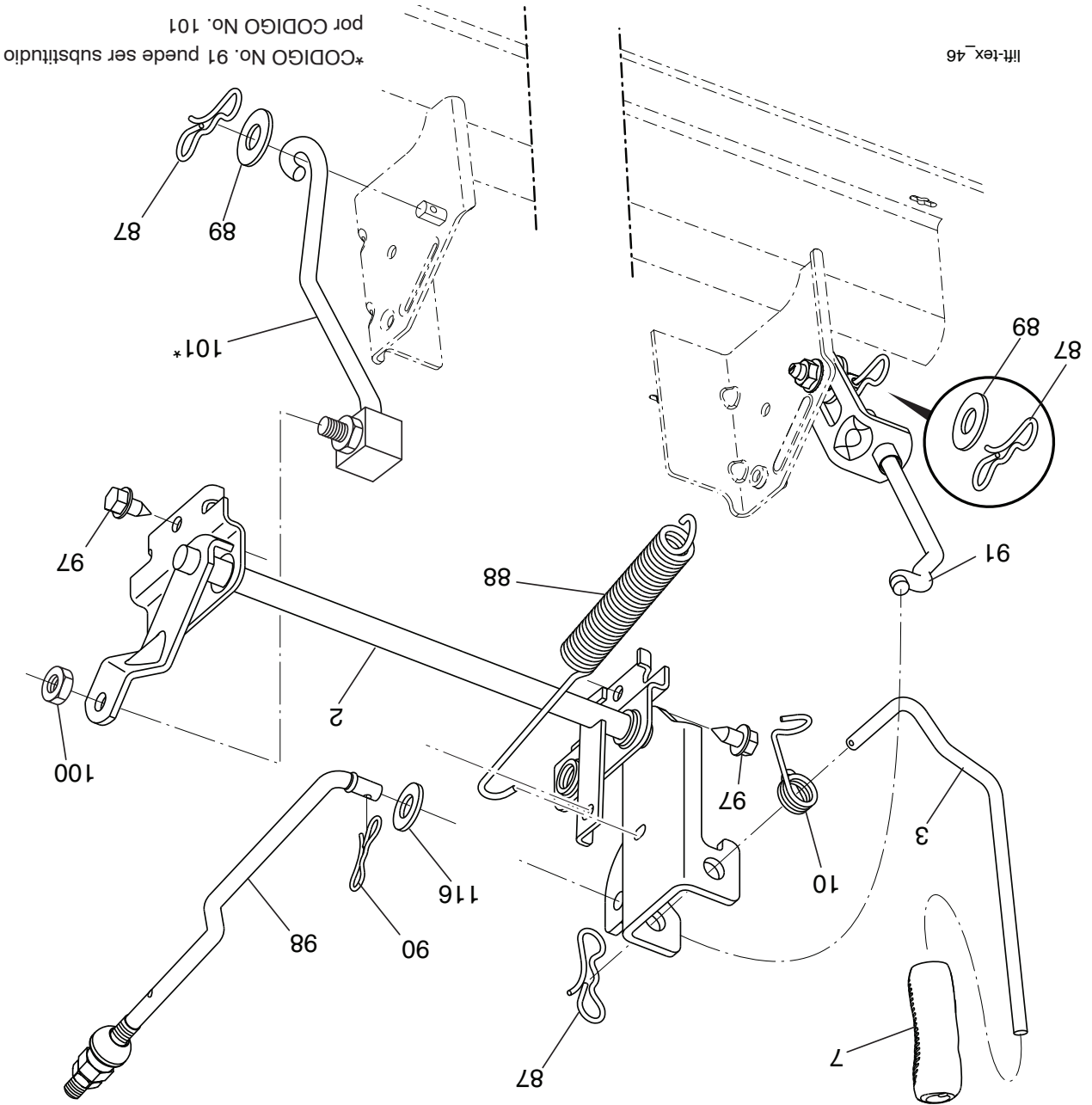
seat-tex_knob_6

No.	CÓDIGO PIEZA	DESCRIPCIÓN
1	532 19 75-14	Asiento
2	532 18 01-66	Soporte pivotante del guardabarros
6	873 80 06-00	Tuerca 3/8-16 unc
7	587 61 33-01	Resorte del asiento
8	532 17 18-77	Perno 5/16-18 unc x 3/4
10	532 44 18-05	Banda del asiento
12	532 19 93-70	Soporte
13	532 12 12-48	Bujie
14	872 05 04-12	Perno 1/4-20 x 1-1/2
15	532 13 43-00	Separador
16	532 12 37-40	Resorte para trabar el asiento

No.	CÓDIGO PIEZA	DESCRIPCIÓN
17	532 12 39-76	Tuerca 1/4
19	532 19 93-72	Perilla de asiento
21	587 90 78-01	Perno 5/16-18 x 5/8
37	873 80 05-00	Tuerca 5/16-18 unc
42	532 19 93-71	Arandela
46	588 09 04-01	Perno 3/8-16 x 1, 1.25

NOTA: Las dimensiones de todos los componentes están expresadas en pulgadas americanas. 1 pulgada = 25,4 mm

**TRACTOR MODELO NO. PP175G46 (96042019500), PRODUCTO NO. 960 42 01-95
ELEVACIÓN DE LA CORTADORA DE CÉSPED**



*CÓDIGO No. 91 puede ser substituido por CÓDIGO No. 101

CÓDIGO PIEZA	No.	DESCRIPCIÓN
2	532 42 20-27	Ensamble De La Palanca De Elevación Derecha
3	532 19 52-31	Palanca De Levantamiento Del Accesorio
7	580 96 23-01	Mango De La Palanca
10	532 19 63-14	Resorte De Torsión
87	532 19 42-09	Pasador De Chaveta
88	532 41 07-10	Resorte
89	819 19 19-12	Arandela
90	532 19 42-08	Pasador De Chaveta 5/16
91	532 19 51-81	Muñon Del Varillaje De Levantamiento Trasero

CÓDIGO PIEZA	No.	DESCRIPCIÓN
97	817 00 06-12	Tornillo 3/8-16 x 3/4
98	532 19 52-70	Varillaje De Suspensión
100	873 93 06-00	Tuerca 3/8-16 unc
101	532 40 70-03	Acoplamiento Frontal De La Elevación De La Cortadora De Césped
116	819 15 15-16	Arandela 15/32 x 15/16 x Calibre 16

NOTA: Las dimensiones de todos los componentes están expresadas en pulgadas=25,4 mm

TRACTOR MODELO NO. PP175G46 (96042019500), PRODUCTO NO. 960 42 01-95

PLATAFORMA DE LA CORTADORA DE CÉSPED

CÓDIGO	PIEZA	NO.	DESCRIPCIÓN
116	532 12 48-42		Fermo de tope
117	532 18 86-06		Calibrador de la rueda
119	819 12 14-14		Arandela de 3/8 x 7/8 x calibre 14
122	532 19 72-58		Sujetador izquierdo de la correa
123	532 19 72-59		Sujetador derecho de la correa del motor
144	532 19 92-04		Sujetador de la correa
145	532 19 31-97		Polea loca
147	532 40 18-72		Retorno del resorte
152	584 24 35-01		Cable de embrague manual con resorte
188	532 19 51-61		Sujetador del travesaño
189	873 90 05-00		Tuerca de presión hexagonal con brida
195	817 00 06-12		Tornillo de 3/8-16 x 3/4
197	819 13 13-12		Arandela de 13/32 x 13/16 x calibre 12
198	532 40 31-49		Deflector delantero central
199	532 40 31-50		Deflector delantero derecho
200	532 41 35-24		Arandela de 13/32 x 1 x 1/2 x calibre 11
208	817 67 06-08		Tornillo 3/8-16 x 1/2
240	874 52 06-36		Fermo de cabeza hexagonal con aleta de 3/8-16 x 2-1/4 grado 5
256	539 10 98-00		Perno 1/4-20 x 1 Gr. 5
257	873 90 04-00		Tuerca 1/4-20
261	589 48 18-05		Placa de refuerzo
262	589 48 20-05		Placa de refuerzo
--	532 41 64-05		Accesorio del conexión
--	587 25 33-01		Ensamble del Mandril (solo incluye la carcasa (key No. 14), el ensamble del eje (key No. 13) y el rodamiento (key No. 15), y tuerca (key No. 33); no incluye la polea/arandela ni los pernos/arandelas de la cuchilla) Reemplazo de la cortadora de césped, completa

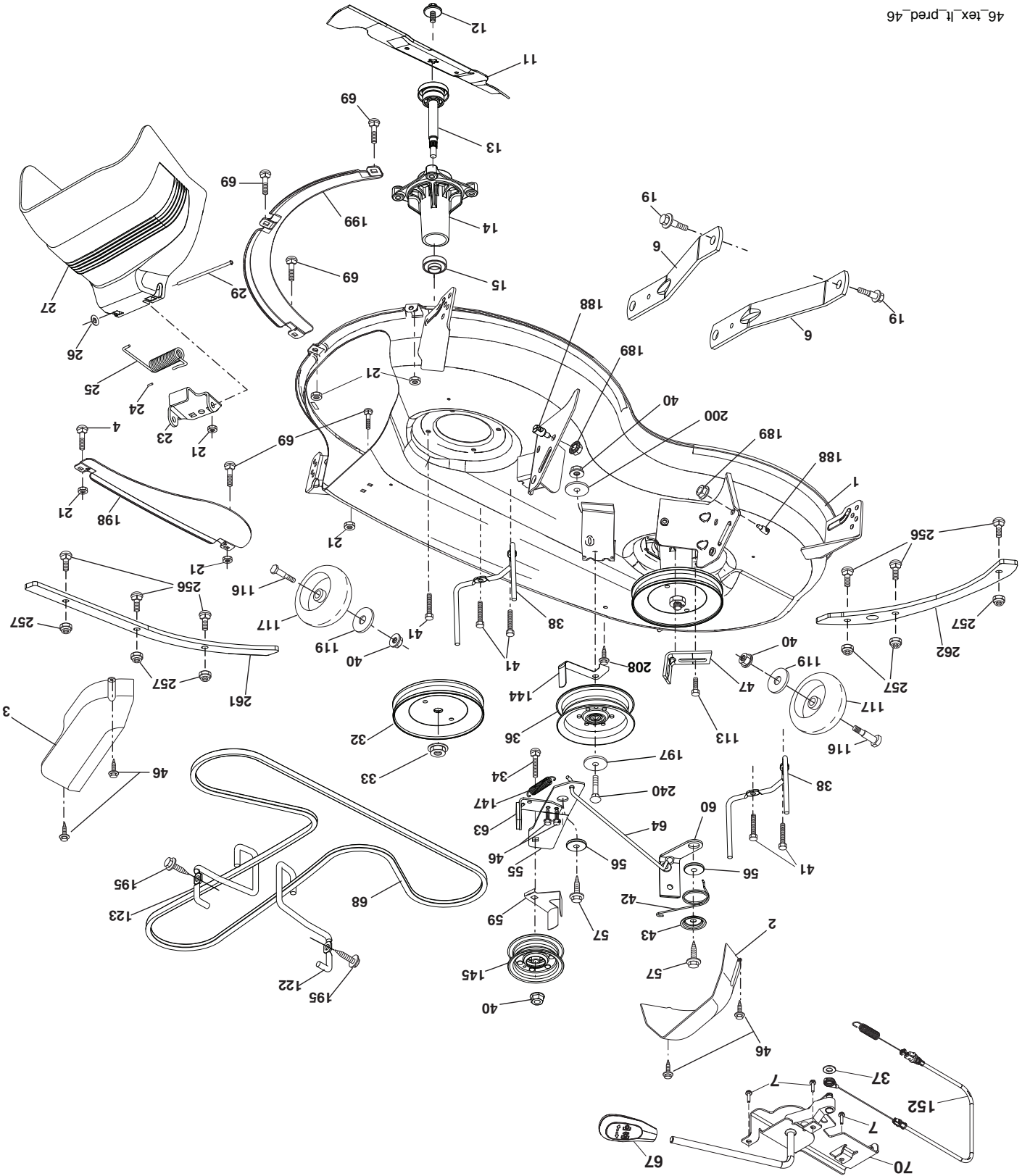
NOTA: Las dimensiones de todos los componentes están expresadas en pulgadas americanas. 1 pulgada = 25,4 mm

CÓDIGO	PIEZA	NO.	DESCRIPCIÓN
1	589 53 53-09		Carcasa de la cortadora de césped
2	532 40 55-07		Cubierta izquierda del mandril
3	532 40 55-06		Cubierta derecha del mandril
4	874 76 05-12		Fermo 5/16-18 unc
6	532 19 51-86		Brzo de la suspensión
7	532 41 63-58		Tornillo No. 10 x 0.750
11	532 40 53-80		Cuchilla
12	584 30 93-01		Tornillo 7/16-20 x 1
13	587 25 65-01		Ensamble del eje del mandril
14	532 18 72-81		Carcasa del mandril
15	585 32 32-39-01		Rodamiento de bolas del mandril
19	532 19 65-39		Fermo de tope
21	873 68 05-00		Tuerca corona de presión de 5/16-18 unc
23	532 19 25-57		SopORTE del deflector
24	532 10 53-04		Tapa de la manga
25	532 19 70-26		Resorte de torsión del deflector
26	532 11 04-52		Tuerca de presión
27	532 40 53-57		Protector del deflector
29	532 13 14-91		Varilla de la bisagra
32	532 19 74-73		Polea del mandril
33	532 40 02-34		Tuerca de seguridad con brida
34	872 11 06-12		Fermo de cabeza de hongo y cuello cuadrado de 3/8-16 x 1-1/2 Gr. 5
36	532 19 73-79		Polea loca
37	819 13 13-16		Arandela de 13/32 x 13/16 x calibre 16
38	532 43 25-20		Sujetador de la correa
40	873 90 06-00		Tuerca de presión con brida de 3/8-16 unc
41	584 95 39-01		Ferno 313-18 x 1.19
42	532 19 84-10		Resorte de torsión del freno
43	532 19 72-56		Resorte de torsión de retención
46	532 13 77-29		Tornillo de 1/4-20 x 5/8
47	532 19 72-50		Cable de embrague
55	532 19 72-49		Brzo de la polea
56	532 19 90-92		Espaciador de retención
57	817 00 06-16		Tornillo de 3/8-16 x 1
59	532 14 10-43		Dispositivo de protección de la polea
60	532 19 94-71		Brzo del freno de la cortadora de césped
63	532 19 94-77		Brzo del freno de la cortadora de césped
64	532 40 51-38		Ensamble del varillaje del freno
67	532 40 30-12		Manija del cable de embrague
68	532 40 51-43		Correa
69	872 14 05-05		Fermo
70	532 19 83-32		Ensamble del embrague Manual
113	817 00 05-10		Fermo de 5/16-18

TRACTOR MODELO NO. PP175G46 (96042019500), PRODUCTO NO. 960 42 01-95
 PLATAFORMA DE LA CORTADORA DE CESPED

46_text.lt_pred_46

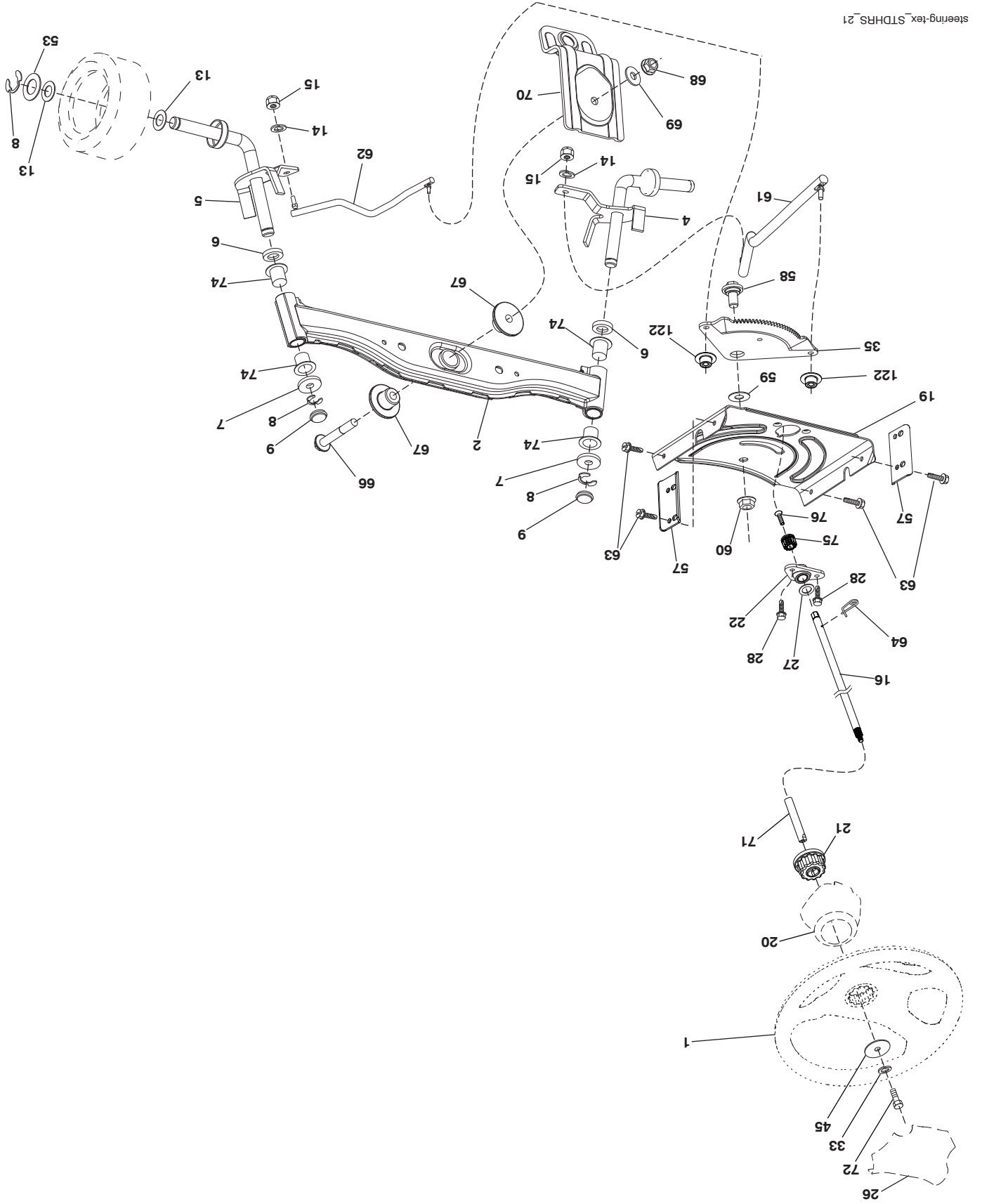
14



CÓDIGO PIEZA	No.	DESCRIPCIÓN
532 42 45-43	1	Volante De Dirección
532 41 81-68	2	Ensamble De Eje
532 40 30-87	4	Ensamble Del Husillo (LI)
532 40 30-88	5	Ensamble Del Husillo (LD)
532 12 49-31	6	Arandela .75 x 1.230
532 12 17-48	7	Arandela 25/32 x 1-5/8 x Calibre 16
812 00 00-29	8	Abrazadera De Retención
532 12 12-32	9	Tapón
532 12 17-49	13	Arandela 25/32 x 1-1/4 x Calibre 16
810 04 06-00	14	Arandela 3/8
873 54 06-00	15	Tuerca 3/8-24 Unt
585 86 92-02	16	Eje De Dirección
532 19 47-29	19	Placa
532 41 12-91	20	Accesorio De Transición De La Dirección
532 18 67-37	21	Adaptador Del Volante De Dirección
585 02 98-02	22	Rodamiento
532 42 46-91	26	Inserto Del Volante De Dirección
819 21 16-16	27	Arandela 21/32 x 1 x Calibre 16
817 00 06-12	28	Tornillo 3/8-16 x 3/4
810 04 05-00	33	Arandela 5/16
532 19 47-32	35	Secteur Dente
819 11 38-12	45	Arandela 11/32 x 3/8 x Calibre 12
532 18 89-67	53	Arandela .793 x 1.637 x .060
532 40 74-65	57	Soporte
532 19 47-47	58	Perno
532 19 47-48	59	Arandela
873 97 10-00	60	Tuerca 5/8-11
532 19 47-40	61	Varillaje (LI)
532 19 47-41	62	Varillaje (LD)
817 00 05-12	63	Tornillo 5/16-18 x 3/4
532 19 98-49	64	Abrazadera De Retención
871 02 07-48	66	Perno 7/16-14 x 3 Serr
532 19 47-37	67	Buje
873 90 07-00	68	Tuerca 7/16-14 Gr. 5
532 19 91-62	69	Arandela 1.5 x .505 x .118
585 33 88-01	70	Soporte
532 19 07-52	71	Eje
532 42 89-82	72	Perno 5/16-18 x 4
532 12 49-37	74	Rodamiento
580 68 37-01	75	Platón
580 68 36-01	76	Tornillo
532 44 49-62	122	Tapón

NOTA: Las dimensiones de todos los componentes están expresadas en pulgadas americanas. 1 pulgada = 25,4 mm

TRACTOR MODELO NO. PP175G46 (96042019500), PRODUCTO NO. 960 42 01-95
ENSAMBLE DE LA DIRECCIÓN



CÓDIGO PIEZA **No.**
DESCRIPCIÓN

1	Motor, B&S 31R907-0018-G1(586044401)	
	(Haga El Pedido De Las Piezas Al Fabricante Del Motor)	
2	Silenciador	532 13 73-52
9	Fijador De La Correa	582 54 03-02
12	Polea	532 40 51-40
15	Tanque De Combustible	532 43 30-08
18	Ensamble De La Tapa	581 17 61-01
20	Control De Aceleración/Estrangulación	532 17 05-45
21	Tornillo	532 41 63-58
28	Línea De Combustible	532 40 11-37
29	Equipo Apagachispas	532 13 71-80
37	Abrazadera De La Manguera	532 12 34-87
42	Arandela 7/16	810 04 07-00
45	Tuerca 1/4-20 Unc	873 51 04-00
69	Junta	532 16 52-91
79	Tornillo 5/16 - 18 x .75	532 19 23-34
84	Tornillo 3/8-16 x 1-1/4	817 06 06-20
85	Perno 7/16-20 x 4 x Gr. 5-1.5 Azul	501 60 65-01
90	Tornillo. 3/8-16 x 1	817 00 06-16
96	Arandela 9/32 x 7/8 x Calibre 16	819 09 14-16
97	Tornillo 1/4-20 x 3/4	817 67 04-12
111	Línea De Purge	532 41 41-19
122	Drenaje Del Aceite	532 42 19-22

NOTA: Las dimensiones de todos los componentes están expresadas en pulgadas americanas. 1 pulgada = 25.4 mm
Para las piezas del servicio y de recambio del motor, llame el número gratis para su fabricante del motor enumerado abajo:
Briggs & Stratton 1-800-233-3723

Información de Clasificación de Potencia del Motor

La clasificación de potencia para un modelo de motor a gas en particular se designa de acuerdo al código J1940 de SAE (Sociedad de Ingenieros Automotrices) (Procedimiento de Clasificación de Potencia & Torque del Motor Pequeño), y la clasificación de desempeño ha sido obtenida y corregida de acuerdo con el código J1995 de SAE (Revisión 2002-05). Los valores de torque se obtienen a 3060 RPM; los valores de potencia se obtienen a 3600 RPM. La potencia bruta actual del motor será inferior y está afectada, entre otras cosas, por las condiciones ambientales operativas y la variabilidad de motor a motor. Dado ambos un amplio conjunto de productos en los cuales son puestos nuestros motores, y la variedad de emisiones ambientales aplicables al operar el equipo, el motor a gas no desarrollará la potencia nominal cuando sea usado en una parte del equipo acoplado (potencia real "en el-sitio" o potencia neta). Esta diferencia se debe a una variedad de factores que incluyen, pero que no están limitados a, accesorios (filtro de aire, sistema de escape, sistema de carga, sistema de enfriamiento, carburador, bomba de combustible, etc.) limitaciones de la aplicación, condiciones ambientales de operación (temperatura, humedad, altitud), y la variabilidad de motor a motor. Debido a las limitaciones, Briggs & Stratton puede sustituir este motor con clasificación de potencia más alta por esta serie de motor.

TRACTOR MODELO NO. PP175G46 (96042019500), PRODUCTO NO. 960 42 01-95

TRANSMISIÓN

CÓDIGO PIEZA	No.	DESCRIPCIÓN	CÓDIGO PIEZA	No.	DESCRIPCIÓN
1	---	---	160	532 16 94-84	Pinzas De Retención
2	532 12 35-83	Llave	166	532 42 91-64	Tuerca
15	819 13 13-16	Arandela 13/32 x 13/16 x Calibre 16	167	532 40 52-57	Pestillo
17	532 19 72-97	Resorte Del Freno	172	532 19 76-57	Fijador De La Correa
22	532 19 76-60	Varilla	174	532 19 72-89	Tuerca
23	532 10 69-33	Botón	175	532 19 62-24	Eje
26	532 19 74-55	Resorte Del Freno	176	532 19 62-14	Varilla
29	532 19 72-67	Varilla	178	532 19 74-56	Resorte
33	812 00 00-01	Pinzas De Retención	183	532 13 70-57	Separador
35	532 19 77-22	Varilla	184	532 40 96-30	Mango
37	532 12 17-49	Arandela 25/32 x 1-1/4 x Calibre 16	185	872 11 06-22	Perno 3/8-16 unc x 2-3/4 Gr. 5
42	532 12 48-72	Cubierta Del Pedal	186	532 19 43-21	Separador
49	872 11 06-14	Perno	187	819 13 32-10	Arandela
50	532 19 43-27	Polea	188	532 19 43-23	Varillaje
51	873 90 06-00	Tuerca 3/8-16	189	532 19 43-17	Palanca Acodada Del Mecanismo
52	532 19 43-26	Correa Loca Con Ranura En V			
56	532 19 43-46	Correa Trapezoidal	190	532 19 43-18	Fijador De La Correa
61	532 12 36-66	Polea	192	532 15 03-60	Tuerca 1/4-28
64	532 19 62-00	Eje	193	817 06 05-12	Tornillo 5/16-18 x 3/4
70	532 41 12-90	Palanca De Cambio	195	532 19 73-32	Soporte
73	874 49 05-40	Perno 5/16-18 x 2/12 Gr. 5	202	532 16 62-31	Varillaje
74	532 14 24-32	Tornillo 1/4 X 1/2	203	819 11 11-16	Arandela 11/32 x 11/16 x Calibre 16
116	873 90 05-00	Tuerca 5/16-18	205	532 12 17-48	Arandela 25/32 x 1-5/8 Calibre 16
125	817 00 05-12	Tornillo 5/16-18 x 3/4	232	874 78 07-16	Perno 7/16-14 x 1 Gr. 5
134	532 19 76-58	Cambio	233	532 40 52-96	Arandela
139	874 55 04-12	Perno 1/4-28 unf Gr. 8			
140	810 04 04-00	Arandela 1/4			
141	819 09 12-10	Arandela 9/32 x 3/4 x Calibre 10			
155	812 00 00-28	Pinzas De Retención			
157	532 10 57-01	Arandela			
158	532 19 43-52	Fijador De La Correa			
159	876 02 04-12	Pasador De Chaveta 1/8 x 3/4			

NOTA: Las dimensiones de todos los componentes están expresadas en pulgadas = 25,4 mm

CÓDIGO PIEZA	No.	DESCRIPCIÓN
5	532 41 17-64	Tablero
14	532 18 65-80	Capota
18	532 42 67-92	Calandre
34	580 91 08-01	Placa
36	817 06 05-12	Tornillo 5/16-18 x 3/4
37	532 42 09-86	Guardabarros
52	873 68 05-00	Tuerca 5/16-18
68	817 49 05-08	Tornillo 5/16-18 x 1/2 Tytt
125	581 68 48-01	Pinzas De Retención
130	532 41 63-58	Tornillo
137	532 18 49-21	Coussin
138	532 40 97-30	Portavasos
146	581 85 79-01	Perno
150	532 18 44-61	Cubierta térmica del conducto
151	532 40 78-07	Soporte
152	532 19 95-35	Défecteur
153	532 18 98-37	Parrilla
159	817 00 06-12	Tornillo 3/8-16 x 3/4
162	532 14 24-32	Tornillo Hi-Lo 1/4 x 1/2 unc
175	532 19 32-43	Travesaño
176	532 40 07-76	Tornillo #10-24 x 5/8
177	532 19 52-28	Buje
180	532 19 54-57	Chasis
181	532 40 47-96	Buje
182	532 19 30-57	Tablero Interior
183	874 52 05-20	Perno 5/16-18 unc x 1-1/4
189	817 00 05-12	Tornillo 5/16-18 x 3/4
194	873 90 05-00	Tuerca 5/16-18
196	532 41 45-81	Ensamble De La Consola De La Plataforma De Elevación
213	874 76 05-12	Perno 5/16-18 x 3/4
217	532 40 91-67	Varilla Giratoria
218	532 19 63-95	Tope
228	532 19 51-61	Sujetador Del Travesaño
235	532 40 61-29	Separador Del Guardabarros
236	873 93 05-00	Tuerca 5/16-18 unc
287	817 60 04-06	Tornillo 1/4-20 x 3/8
302	532 18 38-23	Inserto/ Lentille
306	873 90 06-00	Tuerca

NOTA: Las dimensiones de todos los componentes están expresadas en pulgadas americanas. 1 pulgada = 25,4 mm

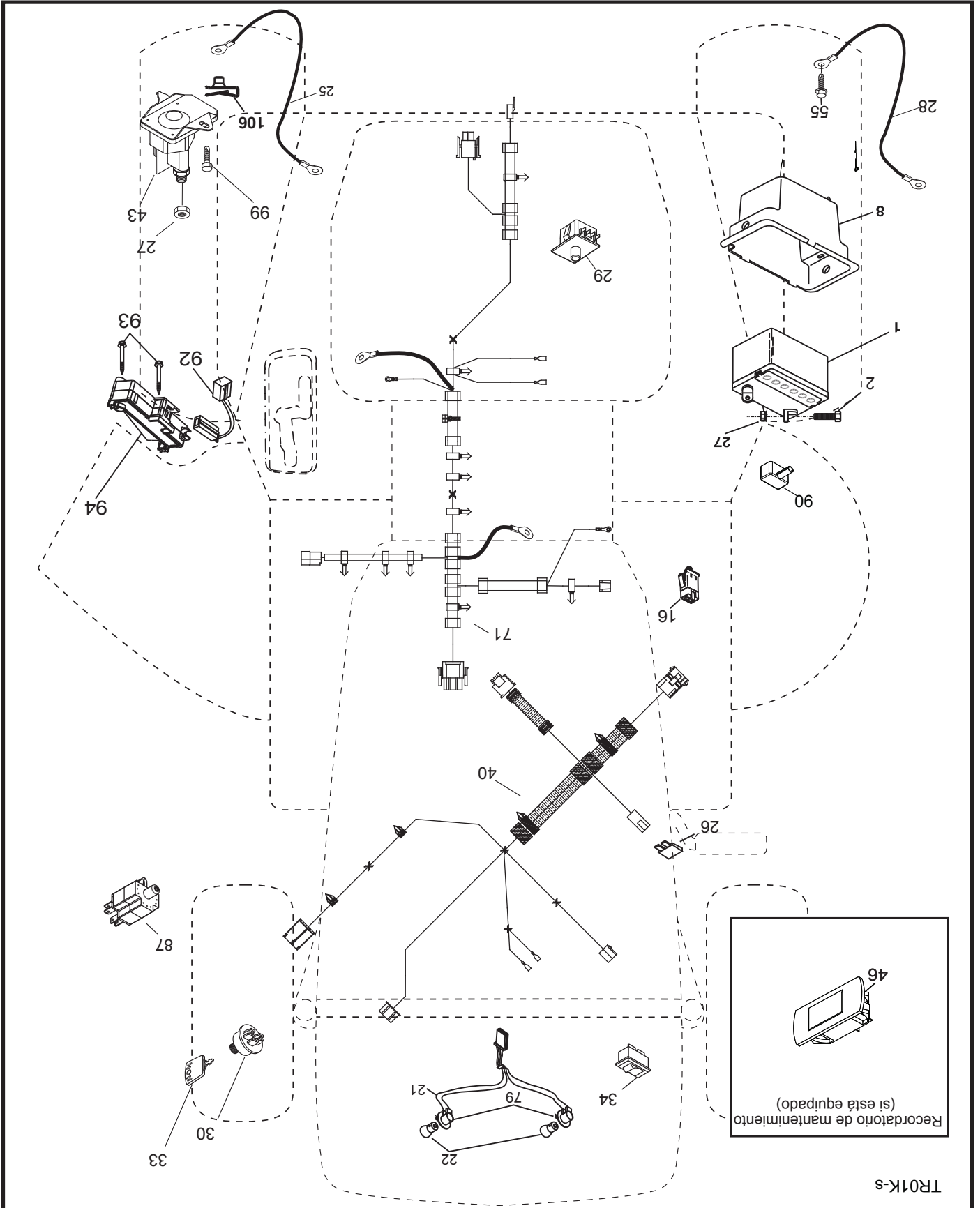
CÓDIGO PIEZA	No.	DESCRIPCIÓN
1	532 14 49-25	Batería
2	874 76 04-12	Perno. 1/4-20 X 3/4
8	532 19 32-28	Puerta De La Caja De La Bateria
16	532 17 61-38	Interruptor:gris
21	532 18 37-59	Arreos
22	532 00 41-52	Bombilla
25	581 49 80-01	Cable
26	532 17 51-58	Fusible
27	873 51 04-00	Seguridad. 1/4-20
28	532 42 16-86	Cable 22"
29	532 19 27-49	Interruptor
30	532 19 33-50	Interruptor "Ros"
33	532 41 19-33	Llave/Cadena
34	532 11 07-12	Interruptor
40	581 02 31-01	Arreos
43	582 04 28-01	Solenoido
55	817 06 05-12	Tornillo 5/16-18 x 3/4
71	501 13 37-01	Cableado De Encendido
79	532 17 52-42	Asamblea De Enchufe
87	532 19 78-02	Interruptor Corta Corriente Del Cable De Embrague
90	532 43 53-95	Cubierta De La Terminal
92	532 19 66-15	Arreos
93	532 19 25-40	Tornillo. 10-14 X 2.0
94	532 19 18-34	Módulo Inverso.
99	817 67 04-12	Tornillo
106	532 17 48-14	Tuerca

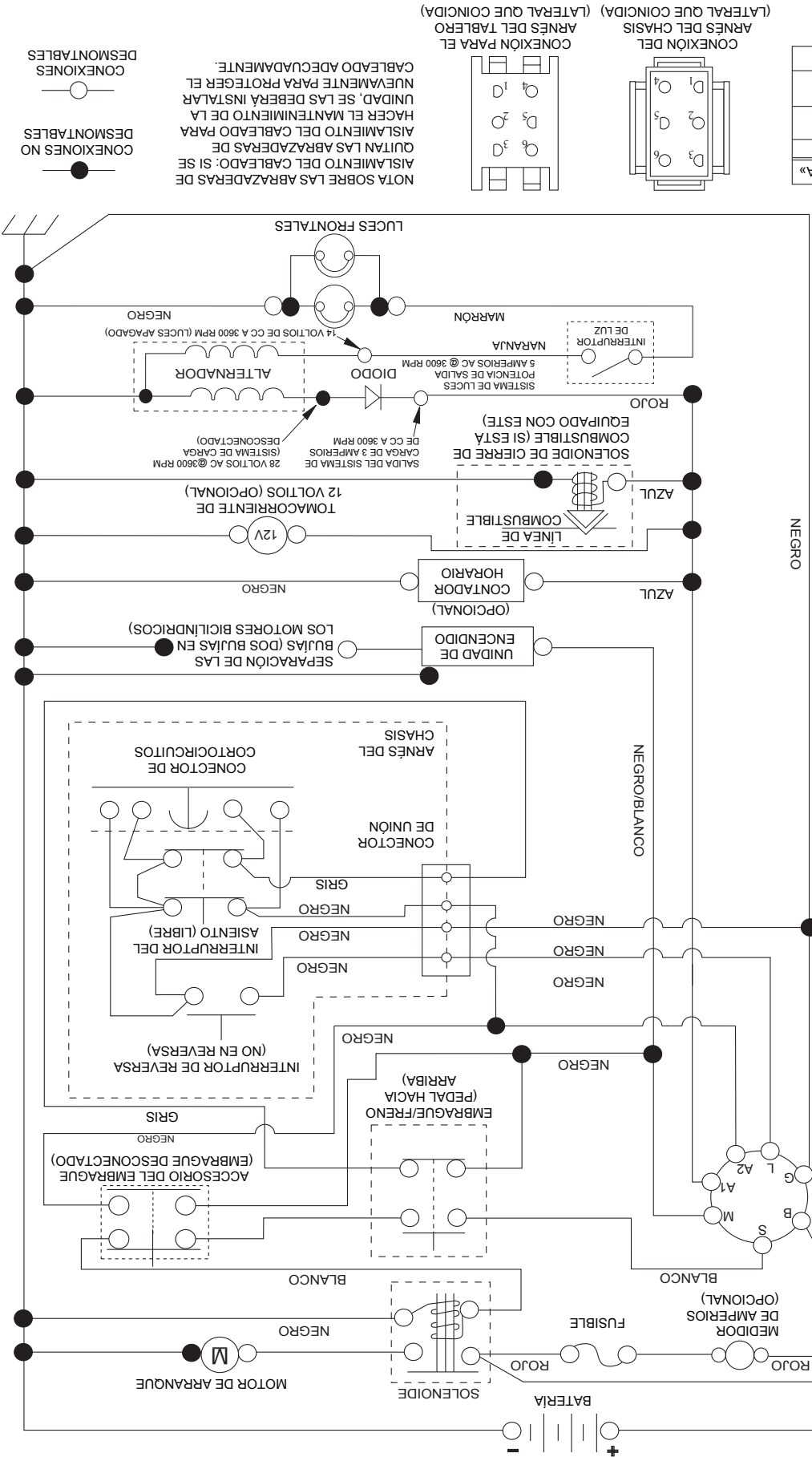
NOTA: Las dimensiones de todos los componentes están expresadas en pulgadas americanas. 1 pulgada = 25,4 mm

TRACTOR MODELO NO. PP175G46 (96042019500), PRODUCTO NO. 960 42 01-95
 DIAGRAMA ELÉCTRICO

TR01K-S

46
 Recorridorio de mantenimiento
 (si está equipado)





POSICIÓN	CIRCUITO «MARCA»
APAGADO	M+G+A1
PONER EN FUNCION- NAMIENTO/ANULAR	B+A1
PONER EN FUNCION- NAMIENTO	B+A1 L+A2
ARRANCAR	B + S + A1

COMO UTILIZAR ESTE MANUAL

Este manual está diseñado para brindarle al comprador un medio para identificar las piezas del tractor para cuando necesite hacer el pedido de un repuesto. Las ilustraciones pueden o no representar los ensamblajes reales; por lo tanto, no se recomienda utilizar este manual como una guía para ensamblar o desarmar el tractor. Algunos accesorios y piezas están dibujados en tamaños más grandes para identificarlos con mayor facilidad.

Cada tractor tiene su propio número de modelo.

El número de modelo del tractor se encuentra en el guardabarros debajo del asiento. Cuando haga el pedido de una pieza, siempre brinde la siguiente información:

- Producto: "TRACTOR"
- NÚMERO DE MODELO: "PP175G46 (96042019500)"
- Número de pieza
- Descripción de la pieza

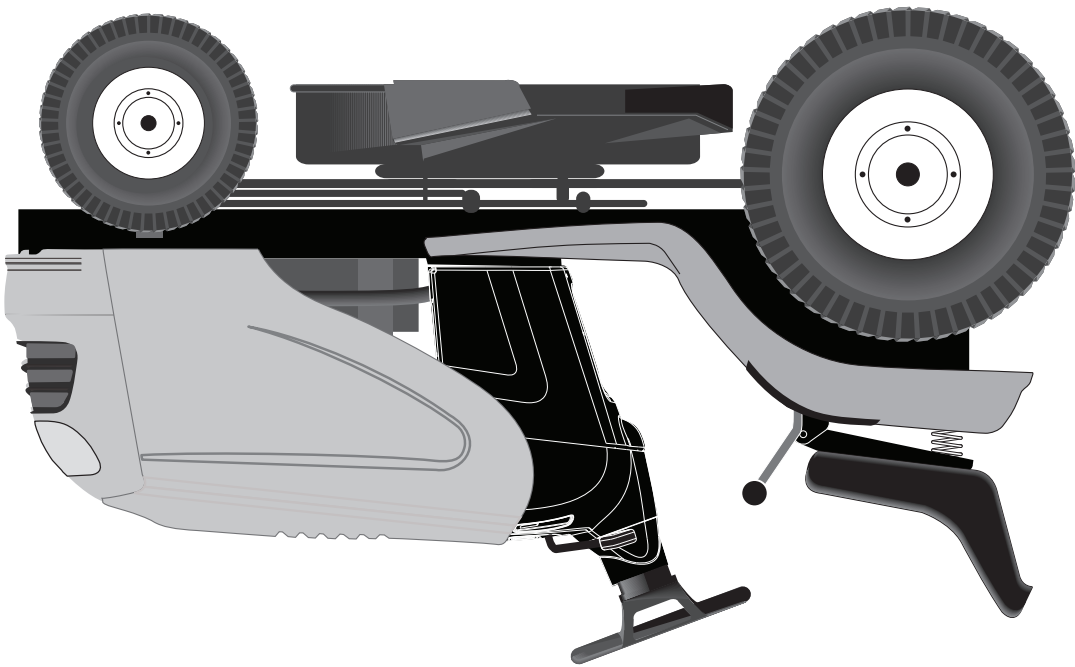
INDICE

DIAGRAMA.....	3
DIAGRAMA ELÉCTRICO.....	4-5
CHASIS.....	6-7
TRANSMISIÓN.....	8-9
MOTOR.....	10-11
DIRECCIÓN.....	12-13
PLATAFORMA DE LA CORTADORA DE CÉSPED.....	14-15
ELEVACIÓN DE LA CORTADORA DE CÉSPED.....	16
ASIENTO.....	17
CALCOMANÍAS.....	18
PARTES Y SERVICIOS.....	20

MANUAL IMPORTANTE

NO TÍRALO A FUERA

POULANPRO®



MANUAL DE REPUESTOS

MODEL:

PP175G46

TRACTOR PARA CÉSPED

SIEMPRE USE PROTECCIONES PARA LOS OJOS MIENTRAS OPERE ESTE TRACTOR

Vea la página web: www.poulanpro.com

Leer, entender y seguir todas las instrucciones sobre la máquina y en el manual antes de empezar. Si no se observan las instrucciones de seguridad siguientes se pueden producir lesiones graves o la muerte.

ADVERTENCIA: 