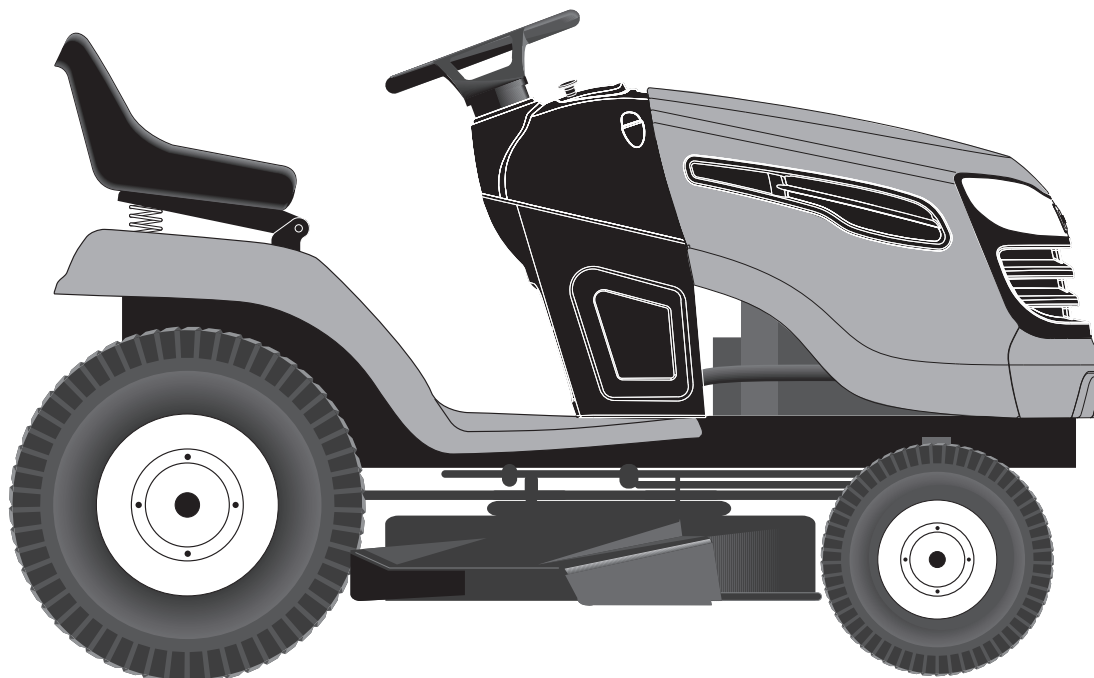


# POULAN<sup>®</sup> PRO



**REPAIR PARTS MANUAL**

**MODEL:**

**PP22VA48**

**LAWN TRACTOR**

**ALWAYS WEAR EYE PROTECTION DURING OPERATION**

Visit our website: [www.poulanpro.com](http://www.poulanpro.com)



**WARNING:**

Read this Manual and follow all Warnings and Safety Instructions. Failure to do so can result in serious injury.

# HOW TO USE THIS MANUAL

This manual is designed to provide the customer with a means to identify the parts on his/her tractor when ordering repair parts. The illustrations may or may not represent the actual assemblies; therefore, it is not recommended to use this manual as a guide to assemble or disassemble the tractor. Some hardware and parts are drawn larger in order to more readily identify them.

Each tractor has its own model number.

The model number for your tractor can be found on the fender under the seat.

When ordering parts, always give the following information:

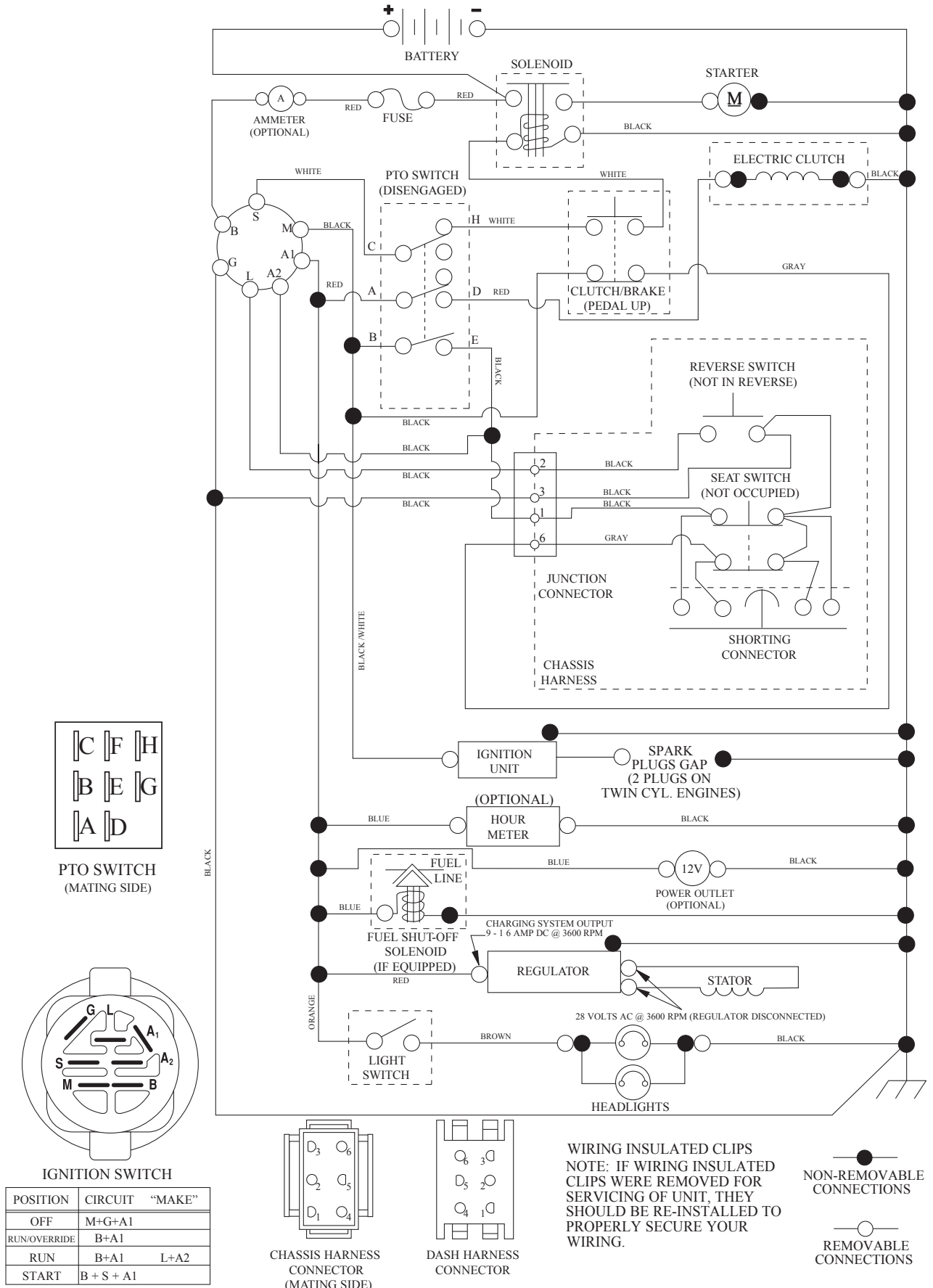
- Product - "TRACTOR"
- MODEL NUMBER - "PP22VA48 (96042019800)"
- Part Number
- Part Description

## TABLE OF CONTENTS

SCHEMATIC .....	3
ELECTRICAL.....	4-5
CHASSIS .....	6-7
DRIVE.....	8-9
ENGINE.....	10-11
STEERING .....	12-13
MOWER DECK .....	14-15
MOWER LIFT.....	16
SEAT .....	17
DECALS.....	18
PARTS AND SERVICE .....	20

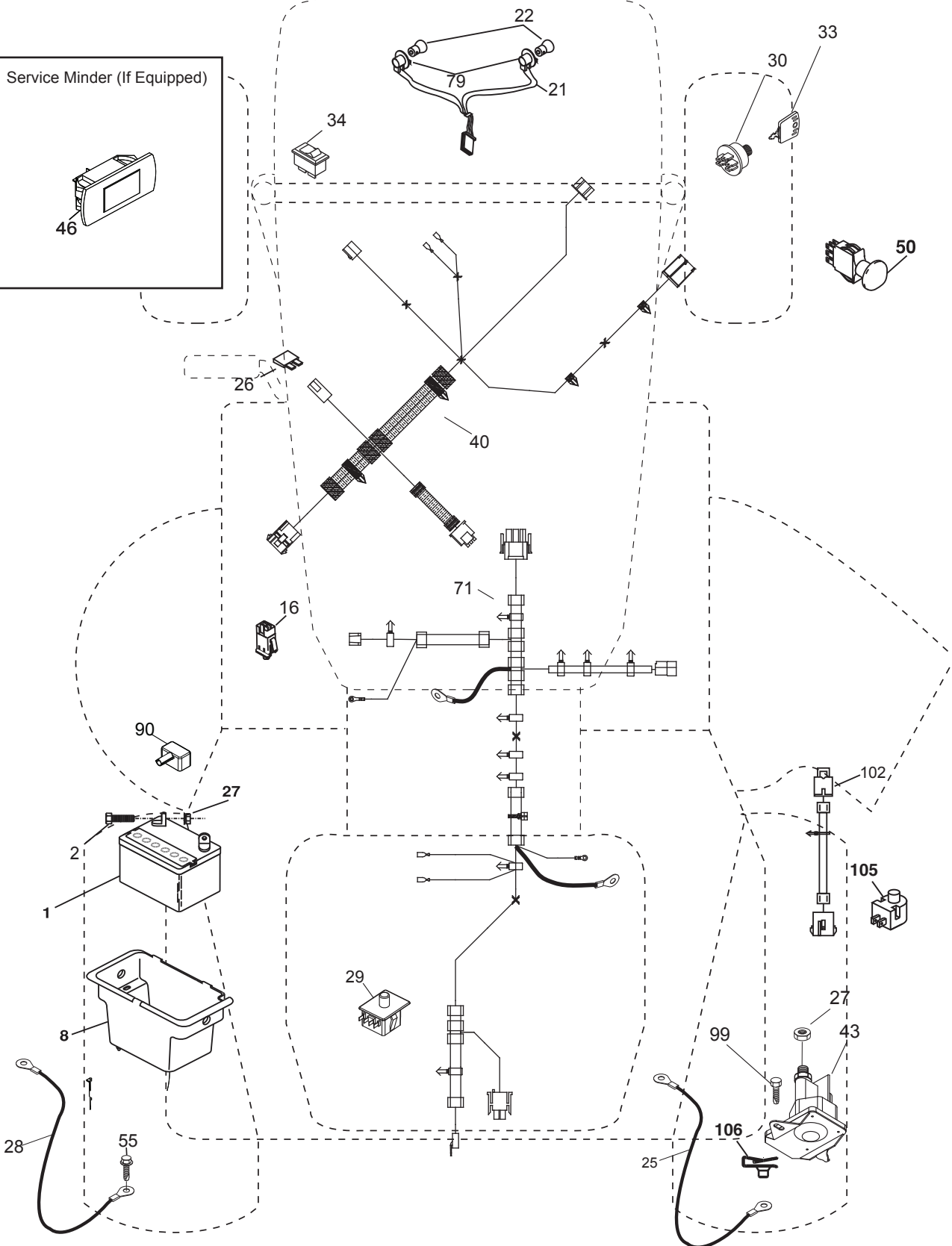
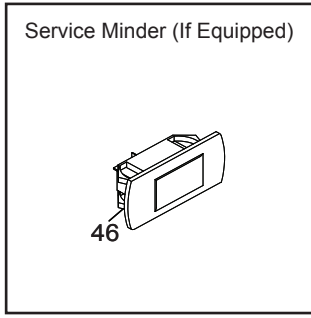
# TRACTOR - MODEL NO. PP22VA48 (96042019800), PRODUCT NO. 960 42 01-98 SCHEMATIC

SCH12



**TRACTOR - MODEL NO. PP22VA48 (96042019800), PRODUCT NO. 960 42 01-98  
ELECTRICAL**

TR04K

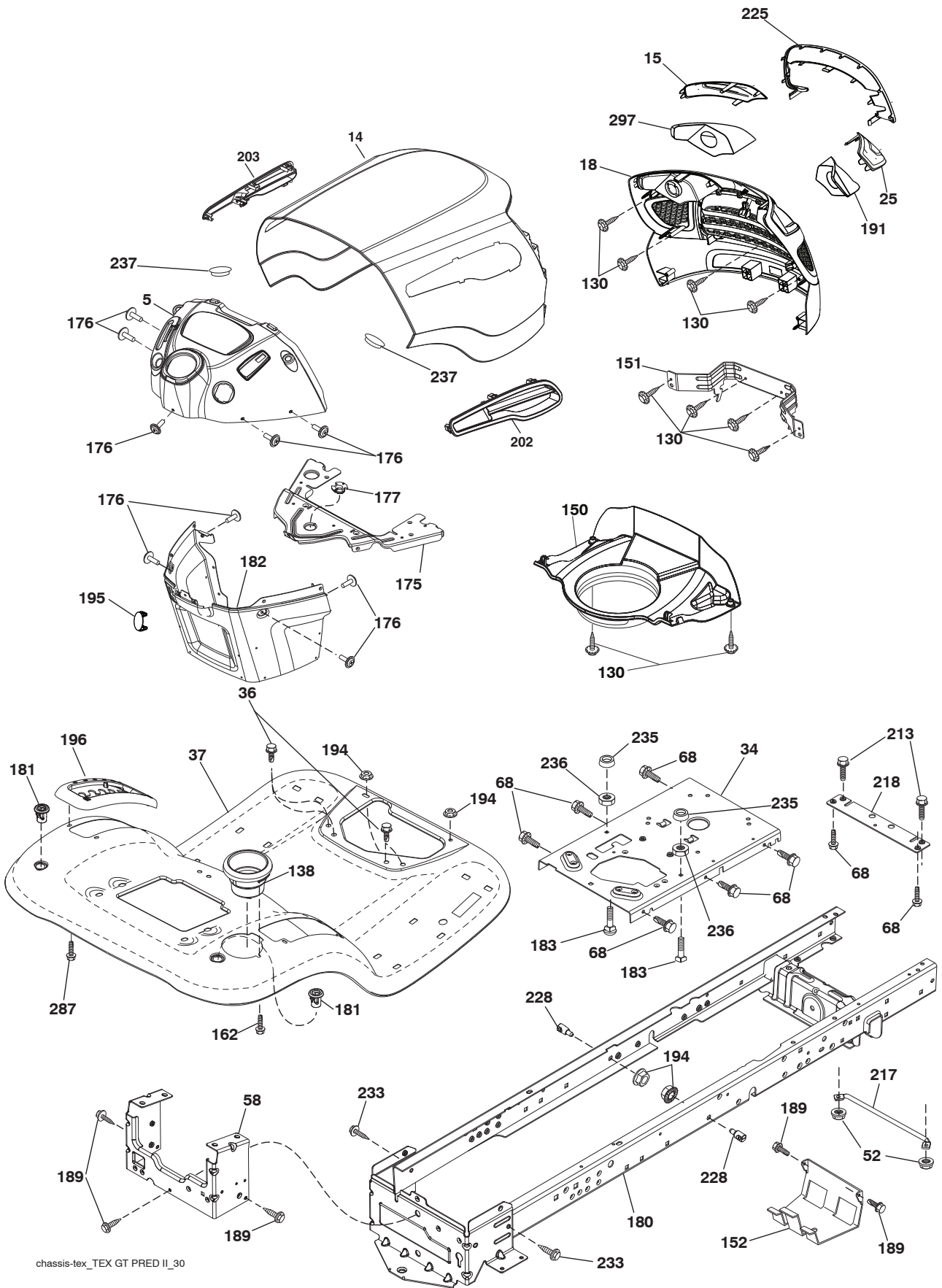


**TRACTOR - MODEL NO. PP22VA48 (96042019800), PRODUCT NO. 960 42 01-98  
ELECTRICAL**

<b>KEY NO.</b>	<b>PART NO.</b>	<b>DESCRIPTION</b>
1	532 16 34-65	Battery
2	874 76 04-12	Bolt Hex Hd 1/4-20 unc x 3/4
8	532 19 32-28	Battery Box
16	532 17 61-38	Switch Interlock
21	532 40 02-52	Harness Socket Light
22	532 00 41-52	Bulb, Light #1156
25	581 49 80-01	Cable Starter
26	532 17 51-58	Fuse
27	873 51 04-00	Nut Keps Hex 1/4-20 unc
28	532 42 16-86	Cable Ground 8 Ga.
29	532 19 27-49	Switch Seat
30	532 19 33-50	Switch Ign
33	532 41 19-33	Key/Chain
34	532 11 07-12	Switch Light/Reset
40	585 55 53-01	Harness Ign. Dash
43	582 04 28-01	Solenoid
46	586 16 18-01	Gauge Hourmeter
50	582 10 76-01	Switch PTO
55	817 06 05-12	Screw Thdrol 5/16-18 x 3/4
71	501 13 37-01	Harness Ign Chassis
79	532 17 52-42	Socket Asm. Bulb Twistlock
90	532 43 53-95	Cover Terminal Battery
99	817 67 04-12	Screw Hexwsh Thdrol 1/4-20 x 3/4
102	581 02 34-01	Harness Pigtail
105	532 40 75-68	Switch Reverse TT Pedal Control
106	532 17 48-14	Palnut 1/4 Lugs

**NOTE:** All component dimensions given in U.S. inches  
1 inch = 25.4 mm

# TRACTOR - MODEL NO. PP22VA48 (96042019800), PRODUCT NO. 960 42 01-98 CHASSIS



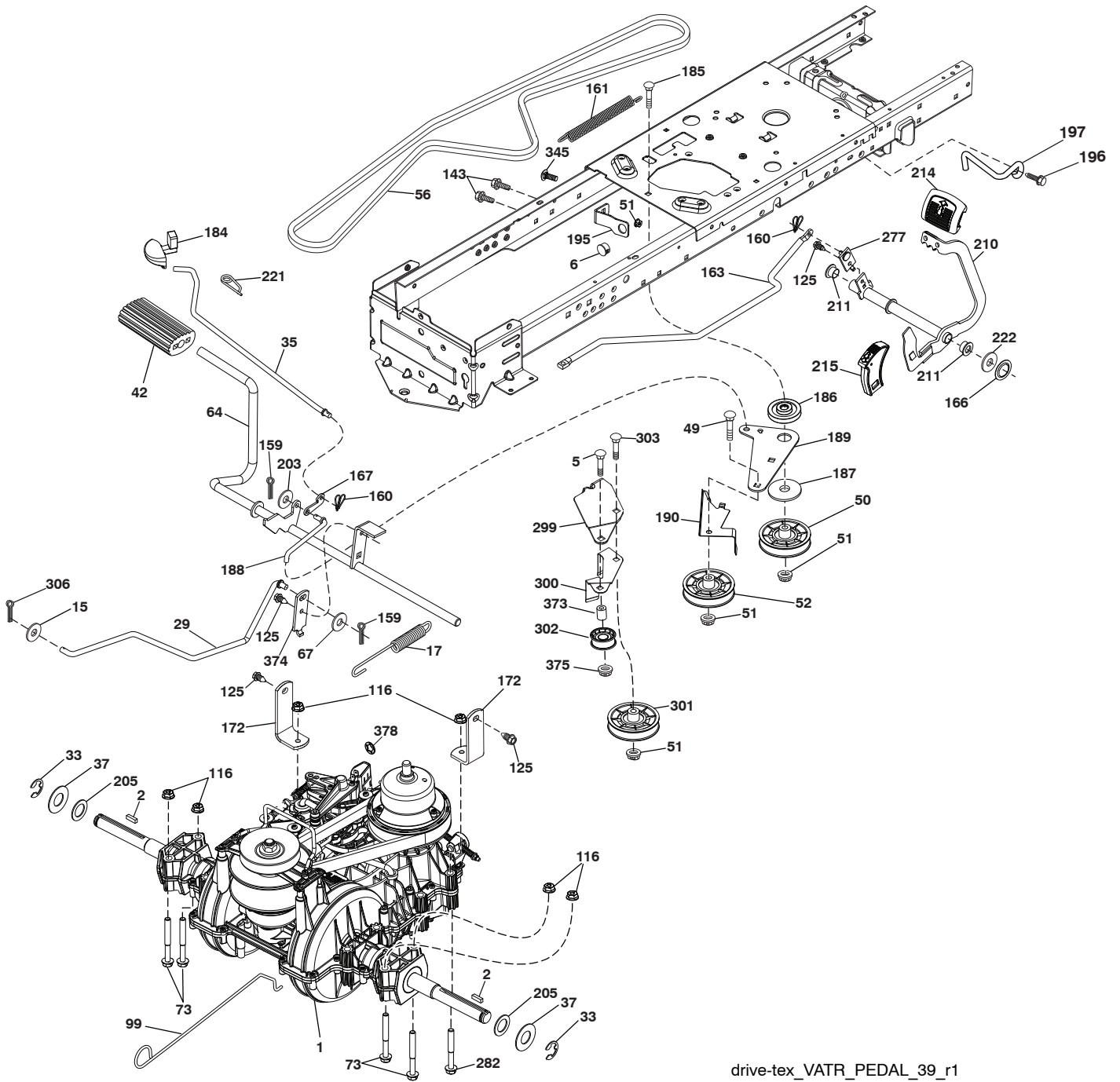
chassis-tex\_TEX GT PRED II\_30

**TRACTOR - MODEL NO. PP22VA48 (96042019800), PRODUCT NO. 960 42 01-98  
CHASSIS**

<b>KEY NO.</b>	<b>PART NO.</b>	<b>DESCRIPTION</b>
5	587 83 41-01	Dash
14	532 44 80-42	Hood
15	581 10 31-01	Lens LH
18	581 10 29-02	Grille
25	581 10 30-01	Lens RH
34	580 91 08-01	Plate Engine
36	817 06 05-12	Screw 5/16-18 x 3/4
37	532 42 07-96	Fender
52	873 68 05-00	Nut Lock 5/16-18
58	532 41 22-80	Drawbar Upper
68	817 49 05-08	Screw 5/16-18 x 1/2
130	532 41 63-58	Screw #10 x 0.750 BOS Thread
138	532 40 97-30	Cupholder
150	584 86 29-01	Air Duct
151	532 44 54-94	Bracket Pivot
152	532 19 95-35	Shield Browning
162	532 14 24-32	Screw
175	532 19 63-04	Crossmember
176	532 40 07-76	Screw 10-24 x 5/8
177	532 19 52-28	Bushing Steering
180	532 41 50-63	Chassis
181	532 40 47-96	Bushing Mtg. Fender Crgo
182	586 73 86-02	Dash Lower
183	874 52 05-20	Bolt Fin Hex 5/16-18 x 1-1/4
189	817 00 05-12	Screw 5/16-18 x 3/4
191	581 22 35-01	Reflector RH
194	873 90 05-00	Nut Lock Hex Flange 5/16-18
195	532 40 41-37	Plug Hole Dash
196	532 41 45-81	Console Asm Deck Lift
202	581 85 92-01	Vent Hood Side RH
203	581 85 91-01	Vent Hood Side LH
213	874 76 05-12	Bolt 5/16-18 unc x 3/4
217	532 40 91-67	Rod Pivot
218	532 19 63-95	X-Piece Hood Stop
225	581 10 32-01	Trim Ring
228	532 19 51-61	Stud Fastner
233	532 19 65-39	Bolt, Shoulder
235	532 40 61-29	Spacer Fender
236	873 93 05-00	Nut Lock 5/16-18 unc
237	532 40 37-04	Plug Mount Cargo
287	817 60 04-06	Screw Hex Washhead 1/4-20 x 3/8
297	581 22 36-01	Reflector LH

**NOTE:** All component dimensions given in U.S. inches  
1 inch = 25.4 mm

**TRACTOR - MODEL NO. PP22VA48 (96042019800), PRODUCT NO. 960 42 01-98  
DRIVE**



drive-tex\_VATR\_PEDAL\_39\_r1

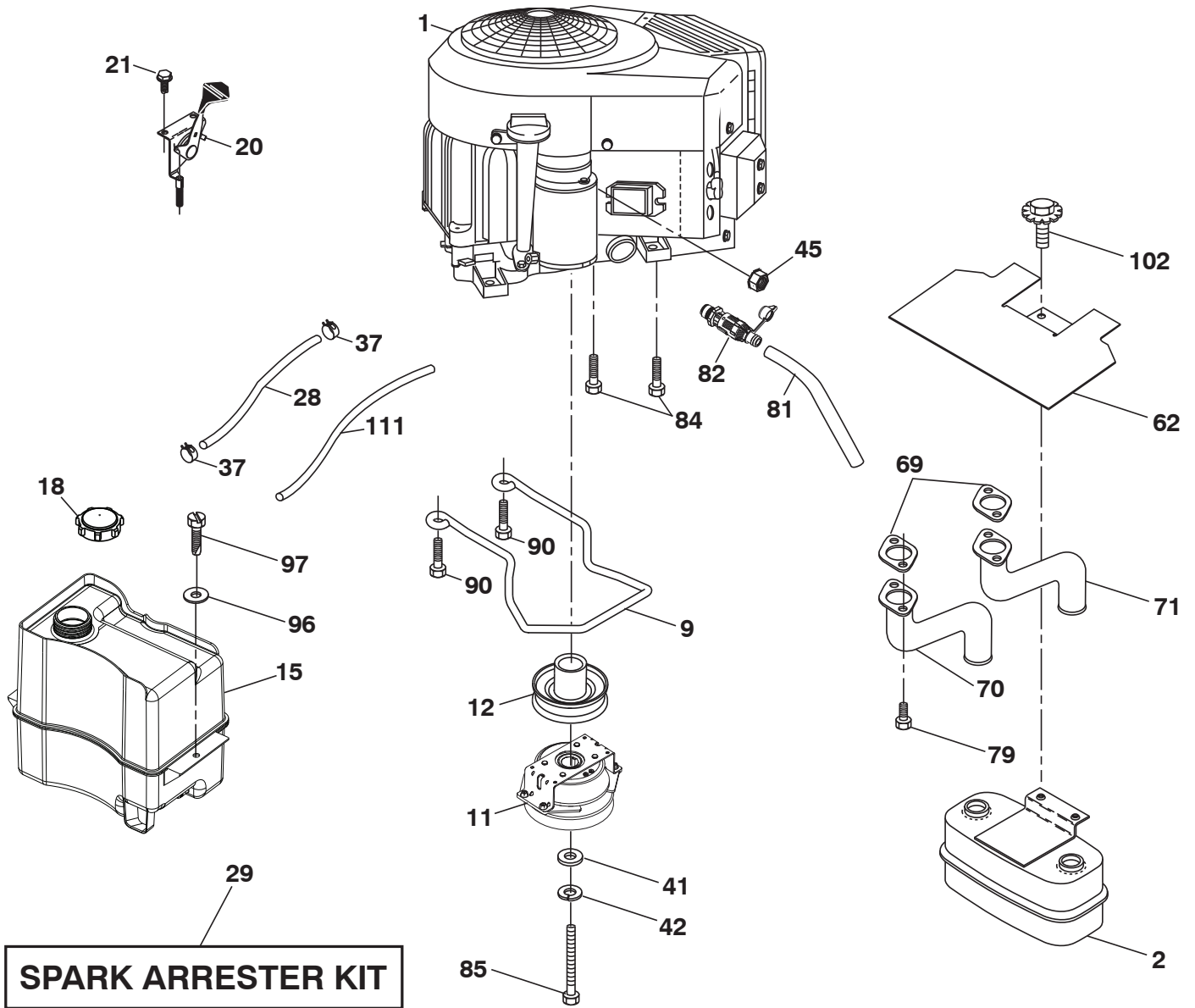


**TRACTOR - MODEL NO. PP22VA48 (96042019800), PRODUCT NO. 960 42 01-98  
DRIVE**

KEY NO.	PART NO.	DESCRIPTION	KEY NO.	PART NO.	DESCRIPTION
1	-----	Transaxle, Variator Fast Peal SD (587884601) (Order parts from transaxle manufacturer.)	187	819 13 32-10	Washer 13/32 x 2 x 10 Ga.
2	532 12 35-83	Key Square	188	582 21 70-01	Link Clutch Ground Drive, Long
5	874 76 06-36	Bolt Hex HS 3/8-16 unc	189	532 19 43-17	Bellcrank Groundrive Nstg/Nstl
6	532 12 40-28	Bushing Snap	190	532 19 43-18	Keeper Bellcrank Drive Ground
15	819 13 13-16	Washer 13/32 x 13/16 x 16 Ga.	195	581 50 46-01	Brake Bracket
17	501 48 71-01	Spring Brake	196	817 00 06-16	Screw 3/8-16 x 1
29	584 82 31-01	Rod Brake	197	585 65 86-01	Clutch Antirotation
33	812 00 00-01	E-Ring	203	819 11 11-16	Washer 11/32 x 11/16 x 16 Ga.
35	583 86 45-01	Rod Brake Parking	205	532 12 17-48	Washer 25/32 x 1-5/8 x 16 Ga.
37	532 18 89-67	Washer Harden .793 x 1.637 x .060	210	588 92 10-01	Weldment Pedal
42	532 12 48-72	Cover Pedal Blk Round	211	532 12 01-83	Bearing Nylon
49	872 11 06-14	Bolt Rdhd 3/8-16unc x1-3/4 Gr.5	214	532 42 12-63	Pedal Forward Pad
50	532 19 43-27	Idler.Flat	215	532 44 82-54	Cap Pedal Reverse
51	873 90 06-00	Nut Hex Flangelock 3/8-16	221	532 40 31-87	Retainer Spring Clip Handle
52	532 19 43-26	Idler V-Groove Offset	222	879 21 20-10	Washer 21/32 x 1-1/4 10 Ga.
56	532 19 72-53	Belt Drive	277	532 44 85-00	Subasm Rocker Pedal
64	589 67 14-01	Shaft VATR Pedal Cross	282	874 49 05-48	Screw Thdrol 5/16-18 x 3
67	582 58 01-01	Washer Nylon 13/32 x 13/16 x .109	299	532 41 56-83	Bracket Mount Idler
73	874 49 05-44	Bolt Hex Flghd 5/16-18 Gr. 5	300	532 41 56-81	Keeper Idler Rear
99	532 43 59-35	Rod Bypass	301	532 41 56-80	Pulley Idler V-Groove
116	873 90 05-00	Nut Lock Hex Flange 5/16-18 unc	302	581 42 05-01	Pulley Idler Flat 2.0 Od
125	817 00 05-12	Screw 5/16-18 x 3/4 Smgml Tap/Bl	303	872 11 06-18	Bolt Rdhd Sgnk 3/8-16 x 2-1/4
143	817 49 05-08	Screw Thdrol 5/16-18 x 1/2 Tytt	306	876 02 04-16	Cotter Pin
159	876 02 04-12	Pin Cotter 1/8 x 3/4	345	872 11 06-06	Bolt Rdhd Sgnk 3/8-16 x 1 Gr. 5
160	532 16 94-84	Retainer Clip(M) Dia. 290	373	581 46 18-01	Spacer Idler
161	532 10 57-09	Spring Return Clutch 6.75	374	581 47 52-01	Control Brake Arm
163	587 84 79-01	Rod Control Pedal	375	873 68 06-00	Nut Crownlock 3/8-16 unc
166	532 42 91-64	Nut Push .625	378	584 28 77-01	Nut Push 8 mm
167	532 40 52-57	Latch Brake Parking			
172	583 97 42-01	Strap Torque LH/RH			
184	587 65 37-01	Handle Parking Brake			
185	872 11 06-22	Bolt Rdhd 3/8-16 unc x 2-3/4 Gr.5			
186	532 19 43-21	Spacer Retainer			

**NOTE:** All component dimensions given in U.S. inches  
1 inch = 25.4 mm

**TRACTOR - MODEL NO. PP22VA48 (96042019800), PRODUCT NO. 960 42 01-98  
ENGINE**



engine-tex\_bs-2cyl\_179

# TRACTOR - MODEL NO. PP22VA48 (96042019800), PRODUCT NO. 960 42 01-98 ENGINE

KEY NO.	PART NO.	DESCRIPTION
1	-----	Engine Briggs Model No. 44N677-0015-G1 (501259301) (Order parts from engine manufacturer.)
2	532 44 59-62	Muffler
9	582 54 03-01	Keeper Belt Engine
11	587 24 16-01	Clutch Electric
12	532 40 29-80	Pulley Engine
15	532 43 30-04	Tank Fuel
18	581 17 61-01	Cap Fuel
20	587 24 25-01	Control Throttle
21	532 41 63-58	Screw #10 x 0.750 BOS Thread
28	532 40 11-37	Fuel Line
29	532 13 71-80	Spark Arrester Kit
37	532 12 34-87	Clamp Hose
41	532 12 61-97	Washer 1-1/2 OD x 15/32 ID x .250
42	539 99 02-47	Washer SLW STD 7/16
45	873 51 04-00	Nut Keps Hex 1/4-20 unc
62	532 43 40-17	Shield Heat Muffler
69	532 16 53-91	Gasket
70	581 88 11-01	Tube Exhaust LH
71	581 88 10-01	Tube Exhaust RH
79	532 18 39-06	Screw Socket Head 5/16-18 x 1
81	532 14 84-56	Tube Drain Oil Easy
82	532 42 82-87	Valve Oil Drain
84	817 06 06-20	Screw 3/8-16 x 1-1/4
85	501 60 66-01	Bolt Hex 7/16-20 x 3.75 Gr. 5
90	817 00 06-16	Screw 3/8-16 x 1
96	819 09 14-16	Washer 9/32 x 7/8 x 16 Ga.
97	817 67 04-12	Screw Hexwsh Thdrl 1/4-20 x 3/4
102	817 00 05-12	Screw 5/16-18 x 3/4
111	532 41 41-19	Purge Line

**NOTE:** All component dimensions given in U.S. inches  
1 inch = 25.4 mm

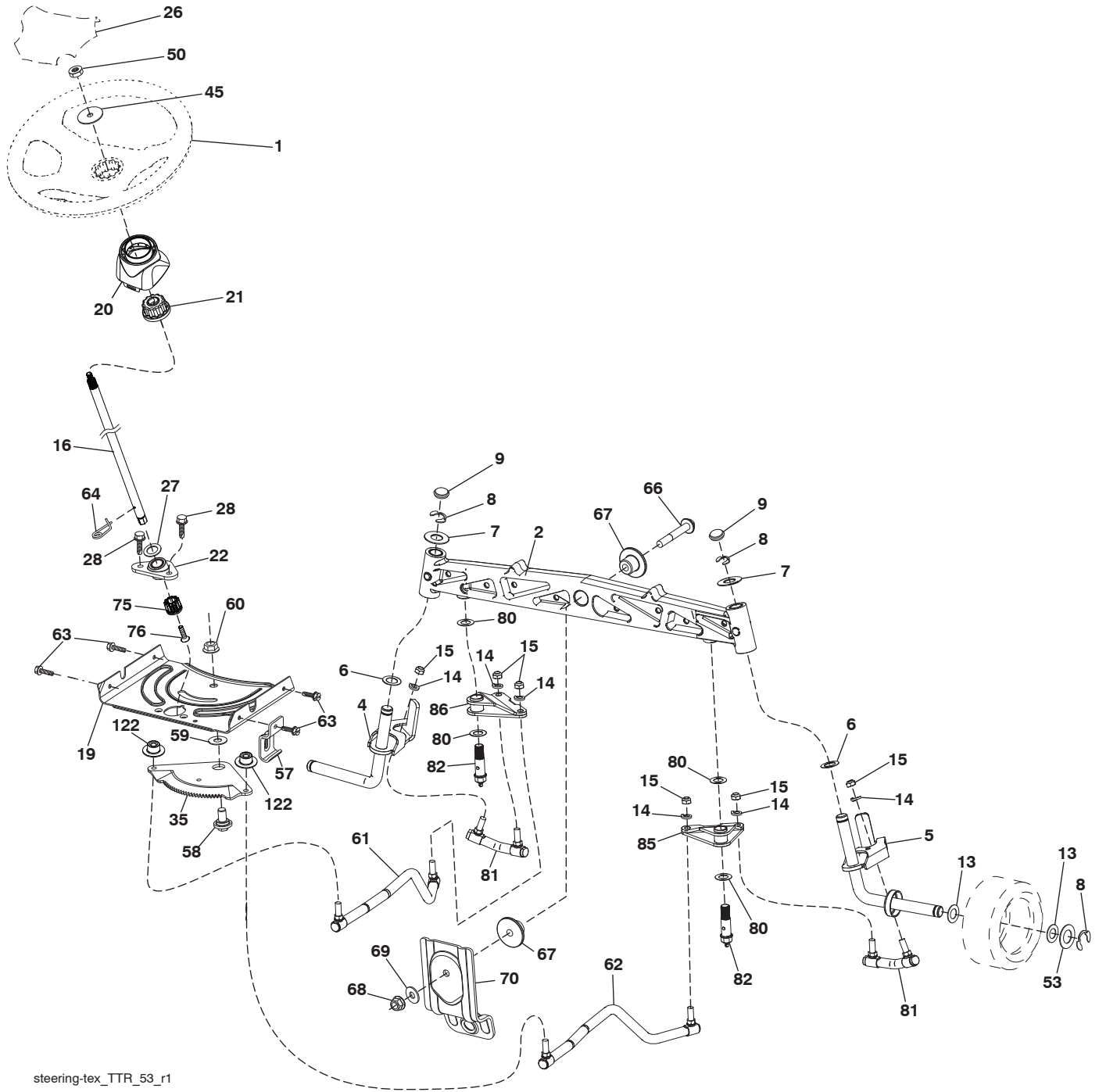
For engine service and replacement parts, call the toll free number for your engine manufacturer listed below:

Briggs & Stratton                      1-800-233-3723

## Engine Power Rating Information

The gross power rating for individual gas engine models is labeled in accordance with SAE (Society of Automotive Engineers) code J1940 (Small Engine Power & Torque Rating Procedure), and rating performance has been obtained and corrected in accordance with SAE J1995 (Revision 2002-05). Torque values are derived at 3060 RPM; horsepower values are derived at 3600 RPM. Actual gross engine power will be lower and is affected by, among other things, ambient operating conditions and engine-to-engine variability. Given both the wide array of products on which engines are placed and the variety of environmental issues applicable to operating the equipment, the gas engine will not develop the rated gross power when used in a given piece of power equipment (actual "on-site" or net power). This difference is due to a variety of factors including, but not limited to, accessories (air cleaner, exhaust, charging, cooling, carburetor, fuel pump, etc.), application limitations, ambient operating conditions (temperature, humidity, altitude), and engine-to-engine variability. Due to manufacturing and capacity limitations, Briggs & Stratton may substitute an engine of higher rated power for this Series engine.

**TRACTOR - MODEL NO. PP22VA48 (96042019800), PRODUCT NO. 960 42 01-98**  
**STEERING ASSEMBLY**



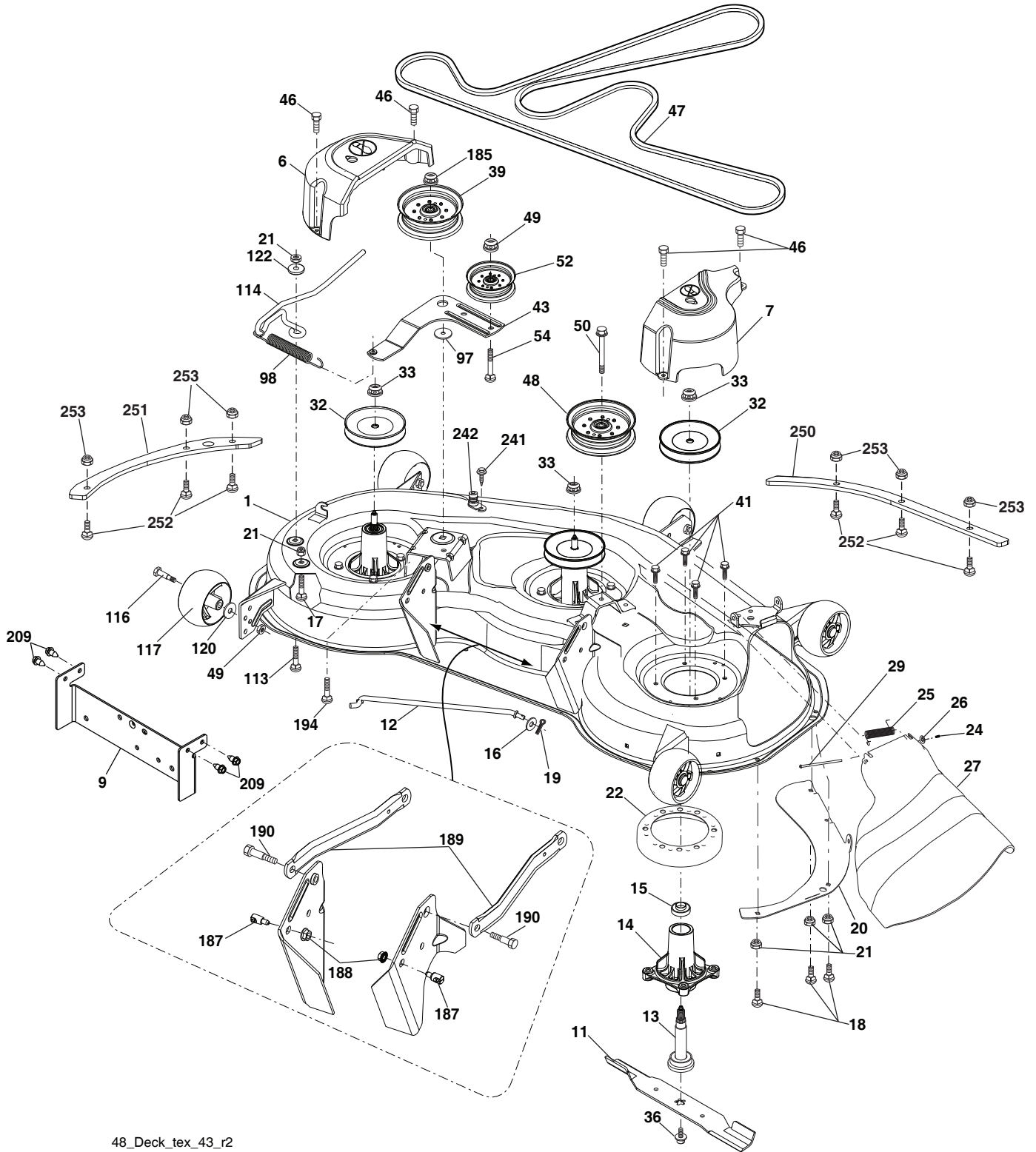
steering-tex\_TTR\_53\_r1

**TRACTOR - MODEL NO. PP22VA48 (96042019800), PRODUCT NO. 960 42 01-98  
STEERING ASSEMBLY**

<b>KEY NO.</b>	<b>PART NO.</b>	<b>DESCRIPTION</b>
1	532 42 45-51	Wheel, Steering
2	532 43 68-70	Axle Asm., Front
4	532 43 68-73	Spindle Asm., LH
5	532 43 68-74	Spindle Asm., RH
6	532 12 49-31	Bearing, Race Thrust Harden
7	532 12 17-48	Washer 25/32 x 1-5/8 x 16 Ga.
8	812 00 00-29	Ring, Clip #T5304-75
9	532 12 12-32	Cap, Spindle
13	532 12 17-49	Washer 25/32 x 1-1/4 x 16 Ga.
14	539 99 01-18	Washer, SLW ZD 3/8
15	873 54 06-00	Nut, Crown Lock 3/8-24 unf
16	587 01 60-02	Steering Shaft
19	532 19 47-29	Plate Steering
20	532 42 47-40	Boot Steering
21	586 84 02-01	Adapter Wheel Steering
22	585 02 99-01	Bearing
26	532 42 45-53	Insert, Wheel Steering
27	819 21 16-16	Washer
28	817 00 06-12	Screw 3/8-16 x 3/4
35	532 44 07-70	Gear, Sector Plate
45	587 01 64-01	Washer 3/8 ID 2-3/8 OD 12 Ga. PLTD
50	873 90 06-00	Nut Lock Flg 3/8-16 unc
53	532 18 89-67	Washer Hardened .793 x 1.637 x .060
57	532 19 72-46	Bracket Upstop
58	532 19 47-47	Bolt Shoulder Sector Pivot CFM
59	532 19 47-48	Washer Thrust Sector Steering
60	873 97 10-00	Nut Flange Lock 5/8-11
61	532 43 68-84	Draglink, LH
62	532 43 68-85	Draglink, RH
63	817 00 05-12	Screw 5/16-18 x 3/4
64	532 19 98-49	Retainer Clip Spring Steering
66	871 02 07-48	Bolt Hex Fghd 7/16-14 x 3 Serr
67	532 19 47-37	Bushing PM Front Axle
68	873 90 07-00	Nut Lock Flange 7/16-14 Gr. 5
69	532 19 91-62	Washer 1.5 x .505 x .118
70	585 33 88-01	Bracket Deck Susp. Front
75	580 68 37-01	Pinion
76	580 68 36-01	Screw Head Sock
80	532 00 13-70	Washer Thrust 5/8 x 1.10 x 1/32
81	532 43 68-87	Link Cross RH
82	532 44 21-47	Pivot Bolt
85	532 44 18-73	Pivot RH
86	532 44 18-72	Pivot LH
122	532 44 49-62	Cap Gear

**NOTE:** All component dimensions given in U.S. inches  
1 inch = 25.4 mm

**TRACTOR - MODEL NO. PP22VA48 (96042019800), PRODUCT NO. 960 42 01-98  
MOWER DECK**



48\_Deck\_tex\_43\_r2

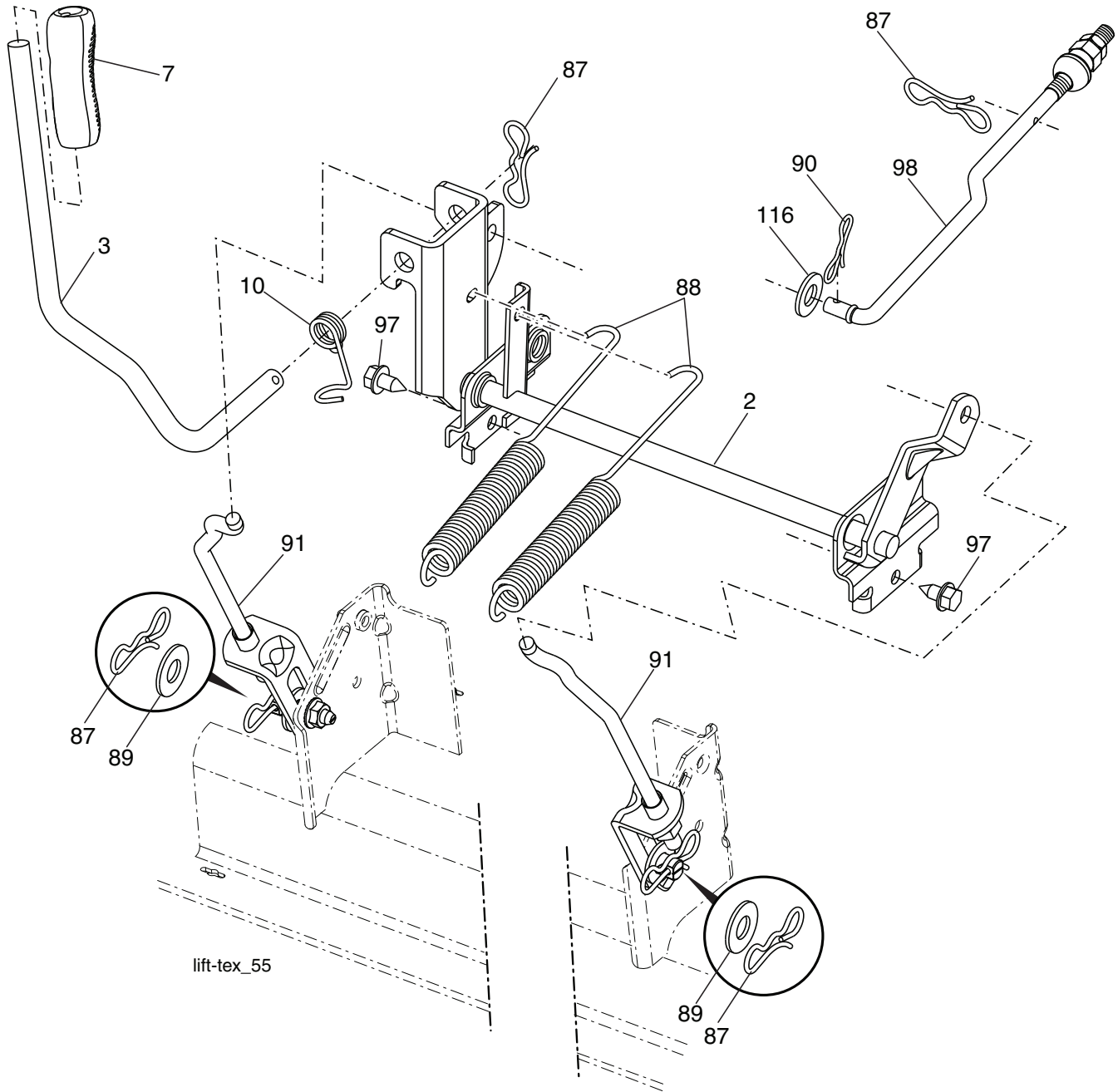
**TRACTOR - MODEL NO. PP22VA48 (96042019800), PRODUCT NO. 960 42 01-98  
MOWER DECK**

KEY NO.	PART NO.	DESCRIPTION
1	587 83 64-01	Deck Weldment Mower
6	532 19 72-48	Cover Mandrel LH
7	587 45 24-01	Cover Mandrel RH
9	589 33 34-02	Torque Strap
11	532 18 00-54	Blade High Lift
--	532 17 39-21	Blade Mulching
12	532 40 48-51	Rod Anti-Sway
13	587 25 64-01	Shaft Asm.
14	532 18 72-81	Housing, Mandrel
15	585 32 39-01	Bearing, Mandrel
16	819 13 13-12	Washer 13/32 x 13/16 x 12 Ga.
17	872 11 05-05	Bolt 5/16-18 x 5/8
18	872 14 05-05	Bolt RdHd 5/16-18 unc x 5/8
19	532 19 42-08	Pin Cotter 5/16 Bow Tie Lock
20	532 17 43-78	Baffle Vortex
21	873 68 05-00	Nut, Crownlock 5/16-18 unc
22	532 17 44-93	Stripper Mandrel
24	532 10 53-04	Cap Sleeve
25	532 17 81-02	Spring, Torsion
26	532 11 04-52	Nut, Push
27	532 18 17-07	Deflector Shield
29	532 13 14-91	Rod, Hinge
32	532 15 35-32	Pulley, Mandrel
33	532 40 02-34	Nut, Flg. Top Lock
36	584 30 93-01	Screw Sems 7/16-20 x 1 Hx Hd
39	532 19 73-80	Pulley, Idler, 4.50 Hub
41	584 95 39-01	Bolt Hex Wsh Hd 313-18 x 1.19
43	532 19 60-65	Arm, Idler
46	532 13 77-29	Screw, Thdroll. 1/4-20 x 5/8
47	532 19 72-42	Belt Deck Drive
48	532 19 73-79	Pulley Idler 4.50 RAW
49	873 90 06-00	Nut, Lock Flg. 3/8-16 unc
50	817 49 06-36	Screw TT 3/8-16 x 2-1/4
52	532 19 31-97	Pulley Idler 48" Primary
54	872 11 06-12	Bolt Carr. Sh 3/8-16 x 1-1/2 Gr. 5

KEY NO.	PART NO.	DESCRIPTION
97	532 17 85-15	Washer Hardened
98	532 19 61-05	Spring Drive
113	872 11 05-08	Bolt Rdhd Sqnk 5/16-18 x 3/4
114	532 19 74-51	Rod Tension Relief
116	532 19 34-06	Bolt, Shoulder
117	589 52 73-01	Gauge Wheel
120	819 13 20-12	Washer 13/32 x 1-1/4 x 12 Ga.
122	532 18 75-57	Bushing Tension Relief
185	873 90 07-00	Nut Lock Flange 7/16-14 Gr. 5
187	532 19 51-61	Stud Fastener w/"D" Anti-Rotation
188	873 90 05-00	Nut Lock Hex Flange
189	532 19 51-85	Arm Susp. Mower Rear
190	532 19 65-39	Bolt Shoulder
194	874 49 07-36	Bolt Hex Washer Head
209	817 00 05-12	Screw 5/16-18 x 3/4
241	532 15 29-27	Screw TT #10-32.5 3/8 Flange
242	532 41 55-98	Port, Washout
250	585 31 80-05	Plate Reinforcement Front
251	585 32 24-05	Plate Reinforcement Side
252	539 10 98-00	Bolt Carriage 1/4-20 x 1 Gr. 5
253	873 90 04-00	Nut Hex Flange 1/4-20 unc
--	532 41 64-05	Coupling Quick Connect
--	587 12 54-01	Mandrel Assembly (Includes housing (key #14), shaft assembly (key #13), and bearing only (key #15) and (key #33) - pulley/nut/washer and blade bolt/washers not included)
--	587 81 95-01	Replacement Mower, Complete

**NOTE:** All component dimensions given in U.S. inches  
1 inch = 25.4 mm

**TRACTOR - MODEL NO. PP22VA48 (96042019800), PRODUCT NO. 960 42 01-98  
MOWER LIFT**



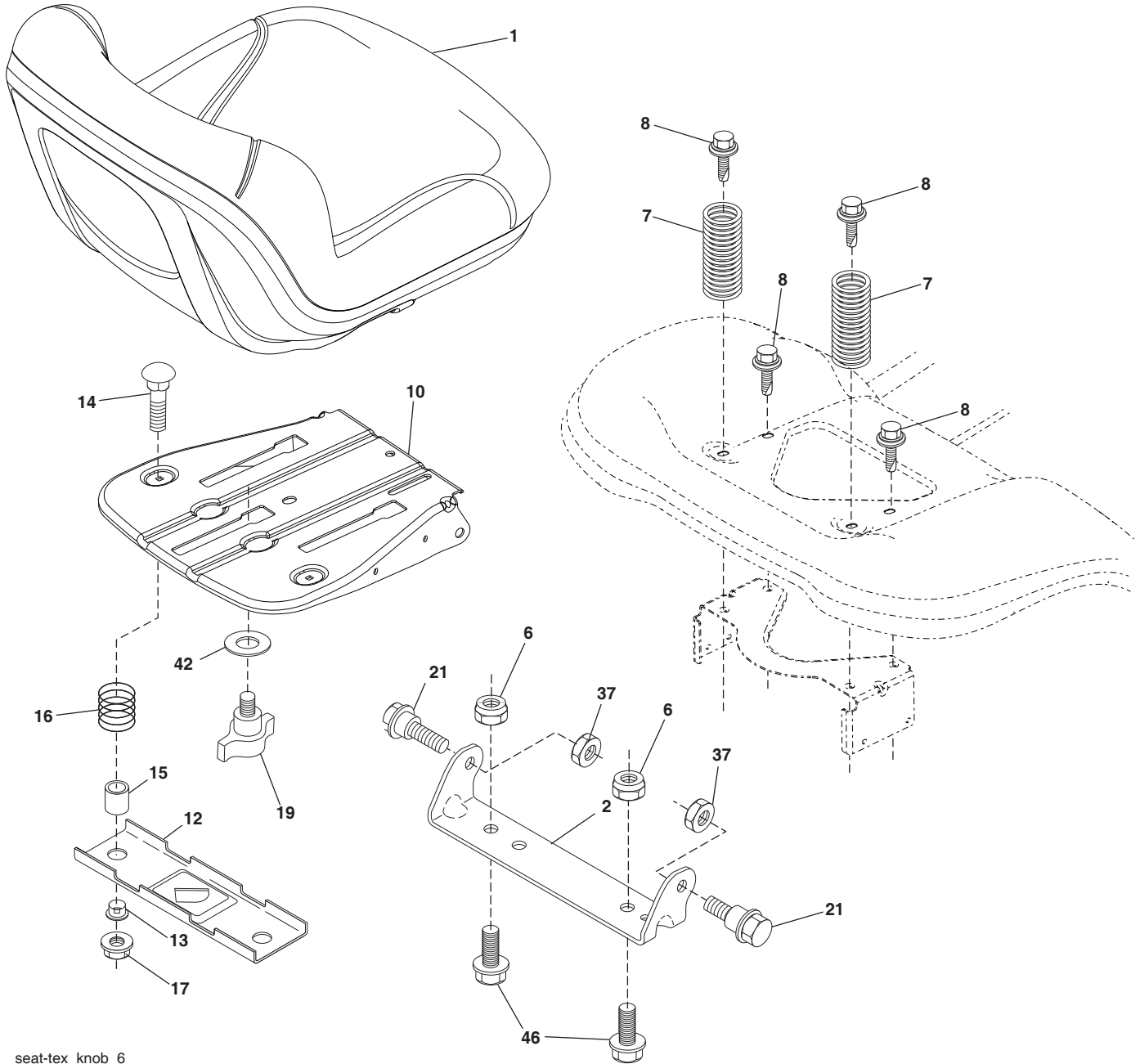
KEY NO.	PART NO.	DESCRIPTION
2	532 42 20-27	Shaft Asm. Cross, Lift
3	532 19 52-31	Lever Asm., Lift
7	580 96 23-01	Grip, Lever
10	532 19 63-14	Spring Torsion
87	532 19 42-09	Pin Cotter 7/16 Bow Tie Lock
88	532 41 07-10	Spring Lift Assist
89	819 19 19-12	Washer Clear Zinc
90	532 19 42-08	Pin Cotter 5/16 Bow Tie Lock

KEY NO.	PART NO.	DESCRIPTION
91	532 19 51-81	Link Lift Susp Mower Rear
97	817 00 06-12	Screw 3/8-16 x .75
98	532 19 52-64	Link Lift Susp. Front Mower
116	819 15 15-16	Washer 15/32 x 15/16 x 16 Ga.

**NOTE:** All component dimensions given in U.S. inches  
1 inch = 25.4 mm



**TRACTOR - MODEL NO. PP22VA48 (96042019800), PRODUCT NO. 960 42 01-98  
SEAT ASSEMBLY**



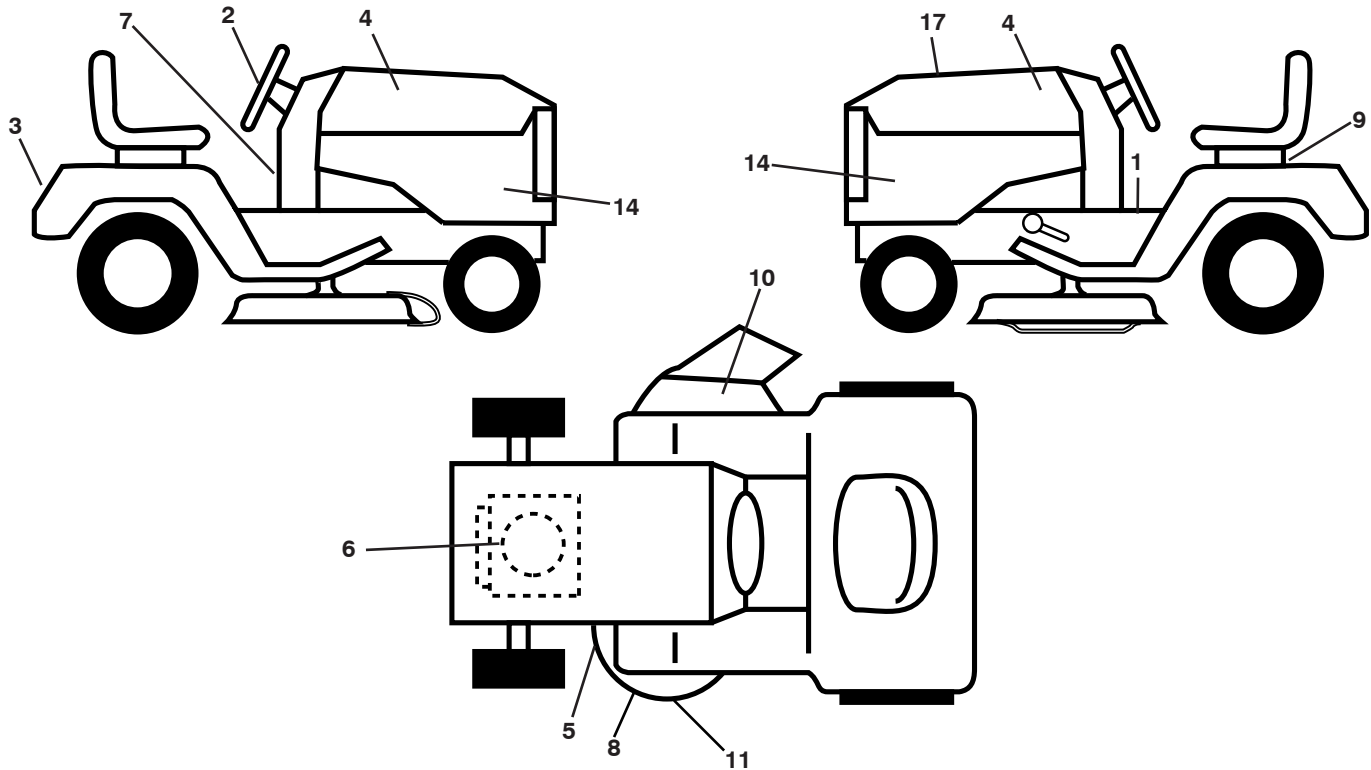
seat-tex\_knob\_6

KEY NO.	PART NO.	DESCRIPTION
1	532 40 66-23	Seat
2	532 18 01-66	Bracket Pivot Fender
6	873 80 06-00	Nut, Lock w/Ins. 3/8-16 unc
7	587 61 33-01	Spring, Seat Cprsn
8	532 17 18-77	Bolt 5/16-18 unc x 3/4 w/Sems
10	532 44 18-05	Pan, Seat
12	532 19 93-70	Bracket Mount.
13	532 12 12-48	Bushing
14	872 05 04-12	Bolt 14/-20 x 1-1/2
15	532 13 43-00	Spacer Split

KEY NO.	PART NO.	DESCRIPTION
16	532 12 37-40	Spring
17	532 12 39-76	Nut Lock Gr. 5
19	532 19 93-72	Knob Seat
21	587 90 78-01	Bolt, Shoulder 5/16-18 x 5/8
37	873 80 05-00	Nut, Lock 5/16-18 unc
42	532 19 93-71	Washer Cup
46	588 09 04-01	Bolt 3/8-16 x 1, 1.25 OD

**NOTE:** All component dimensions given in U.S. inches  
1 inch = 25.4 mm

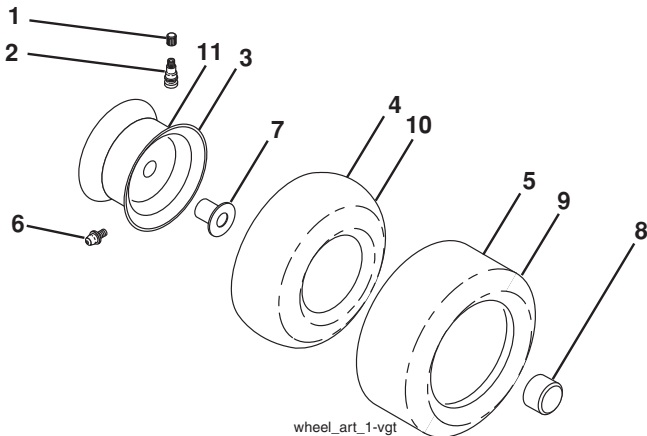
**TRACTOR - MODEL NO. PP22VA48 (96042019800), PRODUCT NO. 960 42 01-98  
DECALS**



KEY NO.	PART NO.	DESCRIPTION
1	581 57 89-01	Decal, Warning
2	582 67 71-01	Decal, Wheel Steering
3	582 67 73-01	Decal, Fender Logo
4	582 67 74-01	Decal, Hood
5	581 58 00-02	Decal, Mower Sch.
6	587 55 33-01	Decal, Eng.
7	587 84 40-01	Decal, Dash Snowflake
8	581 72 45-02	Decal, Mower Caution
9	532 14 50-05	Decal, Battery Dnge/Poi
10	584 90 46-01	Decal, Deflect. Warning

KEY NO.	PART NO.	DESCRIPTION
11	587 71 20-01	Decal, Deck
14	589 55 41-01	Decal, Panel Side
17	581 59 34-01	Decal, Replacement
--	581 72 48-01	Decal, Bypass
--	532 40 95-05	Pad, Footrest, LH
--	532 40 95-07	Pad, Footrest
--	115 86 01-27	Manual, Operator's (English/Spanish)
--	115 86 02-27	Manual, Parts (English/Spanish)
--	115 63 96-46	Manual, Quick Start Guide (English/Spanish)

**WHEELS AND TIRES**



KEY NO.	PART NO.	DESCRIPTION
1	532 05 91-92	Cap, Valve, Tire
2	532 06 51-39	Stem, Valve
3	532 12 51-21	Rim Assembly, Front
4	532 05 99-04	Tube, Front (Service Item Only)
5	532 10 62-22	Tire, Front 15 x 6-6
6	532 12 49-57	Fitting, Grease (Front Wheel Only)
7	532 12 49-59	Bearing, Flange (Front Wheel Only)
8	532 19 32 68	Cap, Axle
9	532 13 84-68	Tire, Rear 20 x 8-8
10	532 12 49-26	Tube, Rear (Service Item Only)
11	532 12 51-22	Rim Assembly, Rear
--	532 14 43-34	Sealant, Tire (10 oz. Tube)

**NOTE:** All component dimensions given in U.S. inches  
1 inch = 25.4 mm

---

# SERVICE NOTES

---

# POULANPRO®

## PARTS AND SERVICE

This product has been expertly engineered and carefully manufactured to rigid quality standards. As with all mechanical products, some adjustments or part replacement may be necessary during the life of your unit.

### **Support / Help**

If you require assistance or have questions concerning the application, operation, maintenance or parts for your product:

- Visit our website: [www.poulanpro.com](http://www.poulanpro.com)
- Call Us Toll Free: 1-800-849-1297
- For replacement parts, have available the following information:
  - a. Model Number / Manufacturer's I.D. Number
  - b. Description of part.

**NOTE:** HOP provides parts and service through its authorized distributors and dealers; therefore, all requests for parts and service should be directed to your local dealer(s). The philosophy of HOP is to continually improve all of its products. If the operating characteristics or the appearance of your product differs from those described in this Manual, please contact your local dealer for updated information and assistance.

# POULANPRO®

## PARTES Y SERVICIOS

Este producto ha sido diseñado por expertos y fabricado con cuidado según estrictas normas de calidad. Como con todos los productos mecánicos, pueden requerirse algunos ajustes o el cambio de algunas piezas durante la vida útil de la unidad.

### Soporte / Ayuda

Si necesita asistencia o tiene alguna pregunta acerca de la aplicación, operación, mantenimiento o piezas de su producto:

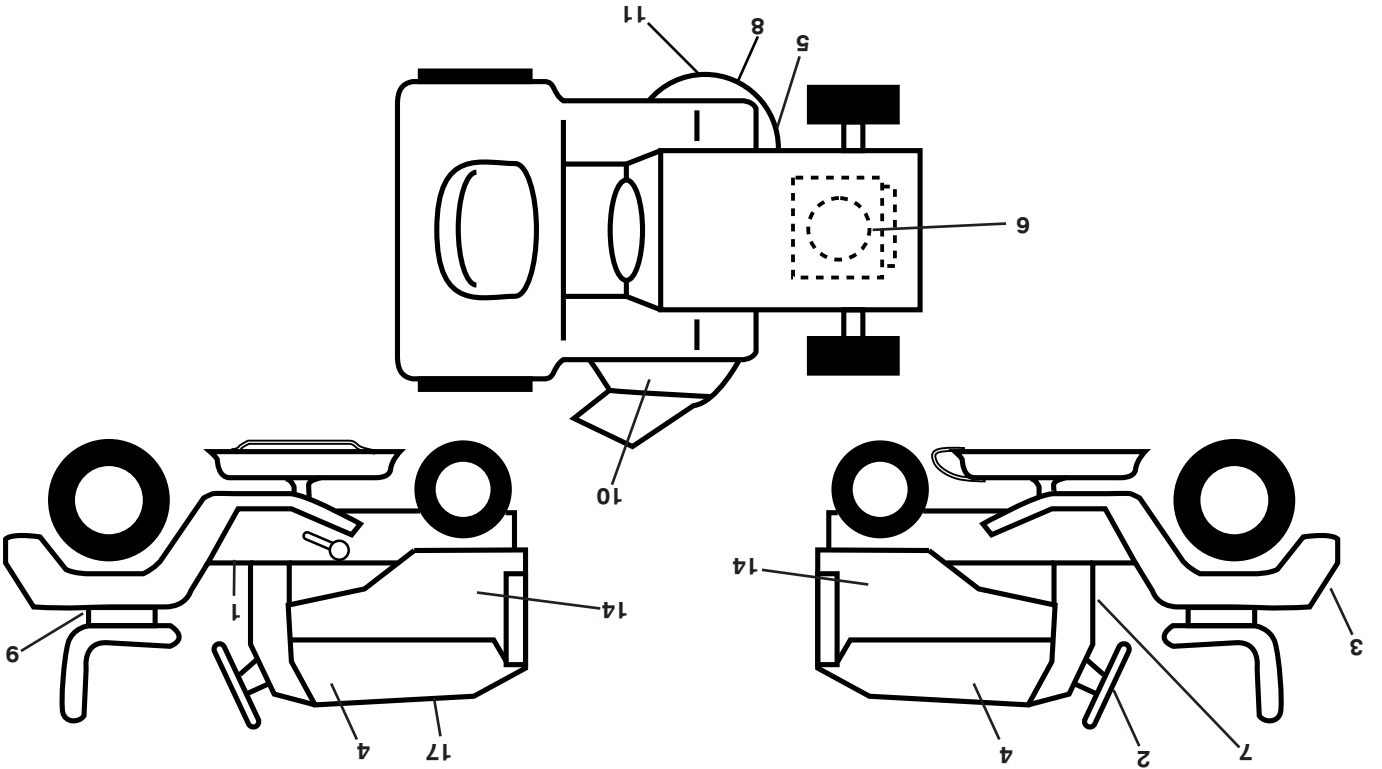
- Visite nuestro sitio web: [www.poulanpro.com](http://www.poulanpro.com)
- Llámennos de manera gratuita al: 1-800-849-1297
- Para obtener repuestos, tenga preparada la siguiente información:
  - a. Número de modelo / Número de I.D. del fabricante
  - b. Descripción de la pieza.

### NOTA:

HOP ofrece piezas y servicio a través de sus distribuidores y concesionarios autorizados; por lo tanto, todas las solicitudes de piezas y servicio deben dirigirse a su concesionario local. Es la filosofía de HOP mejorar permanentemente todos sus productos. Si las características operativas o el aspecto de su producto difiere de los descritos en este Manual, contacte a su concesionario local para solicitar información actualizada y asistencia.



**CALCOMANÍAS**



**CÓDIGO  
PIEZA  
No.**

1	581 57 89-01	Calcomanía advertencia
2	582 67 71-01	Calcomanía para el volante de dirección
3	582 67 73-01	Calcomanía, logo
4	582 67 74-01	Calcomanía, capo
5	581 58 00-02	Calcomanía, esquema
6	587 55 33-01	Calcomanía motor
7	587 84 40-01	Calcomanía
8	581 72 45-02	Calcomanía advertencia
9	532 14 50-05	Calcomanía de Peligro/Punto de interconexión

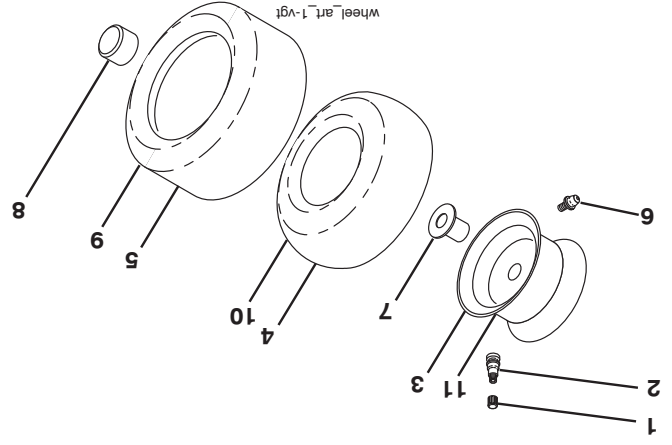
**DESCRIPCIÓN**

**CÓDIGO  
PIEZA  
No.**

10	584 90 46-01	Calcomanía advertencia
11	587 71 20-02	Calcomanía, cubierta
14	589 55 41-01	Calcomanía para el panel lateral
17	581 59 34-01	Calcomanía de reemplazo
1	581 72 48-01	Calcomanía para la desviación
2	532 40 95-05	Forro del apoyo para los pies (L)
3	532 40 95-07	Forro del apoyo para los pies del control
4	115 86 01-27	Manual del operario (Inglés/Español)
5	115 86 02-27	Manual de piezas (Inglés/Español)
6	115 63 96-46	Guía de inicio rápido (Inglés/Español)

**DESCRIPCIÓN**

**RUEDAS Y NEUMÁTICOS**

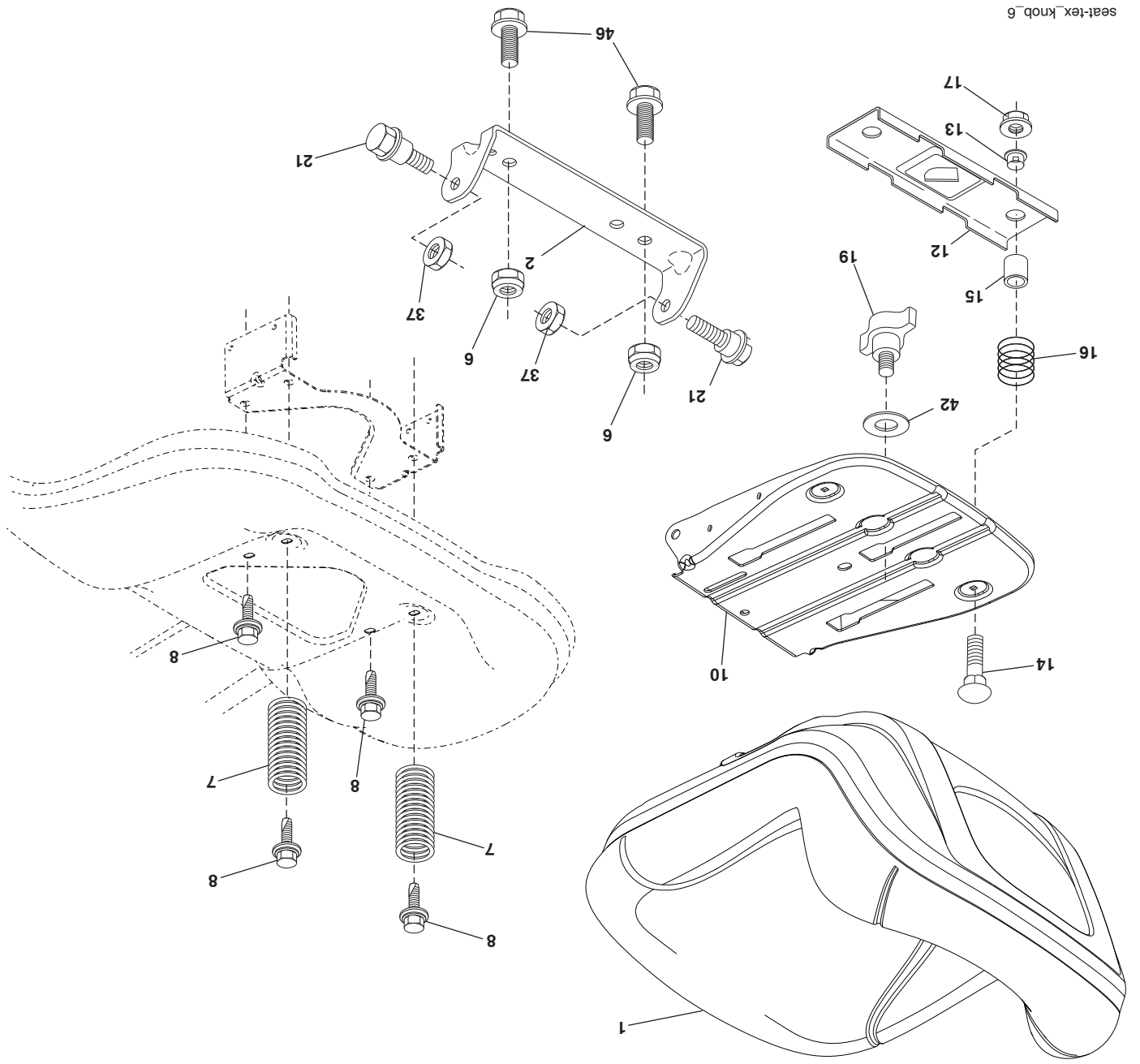


**CÓDIGO  
PIEZA  
No.**

1	532 05 91-92	Tapa de la válvula del neumático
2	532 06 51-39	Vástago de la válvula
3	532 12 51-21	Ensamble de las llantas delanteras
4	532 05 99-04	Cámara delantera
5	532 10 62-22	Neumático delantero 15 x 6-6
6	532 12 49-57	Accesorio para engrasar
7	532 12 49-59	Rodamiento de la brida
8	532 19 32-68	Tapa del eje
9	532 13 84-68	Neumático trasero 20 x 8-8
10	532 12 49-26	Cámara trasera
11	532 12 51-22	Ensamble trasero de la llanta
--	532 14 43-34	Sellador para neumáticos (tubo de 10 onzas [283 gr])

**DESCRIPCIÓN**

**NOTA:** Las dimensiones de todos los componentes están expresadas en pulgadas americanas. 1 pulgada = 25,4 mm

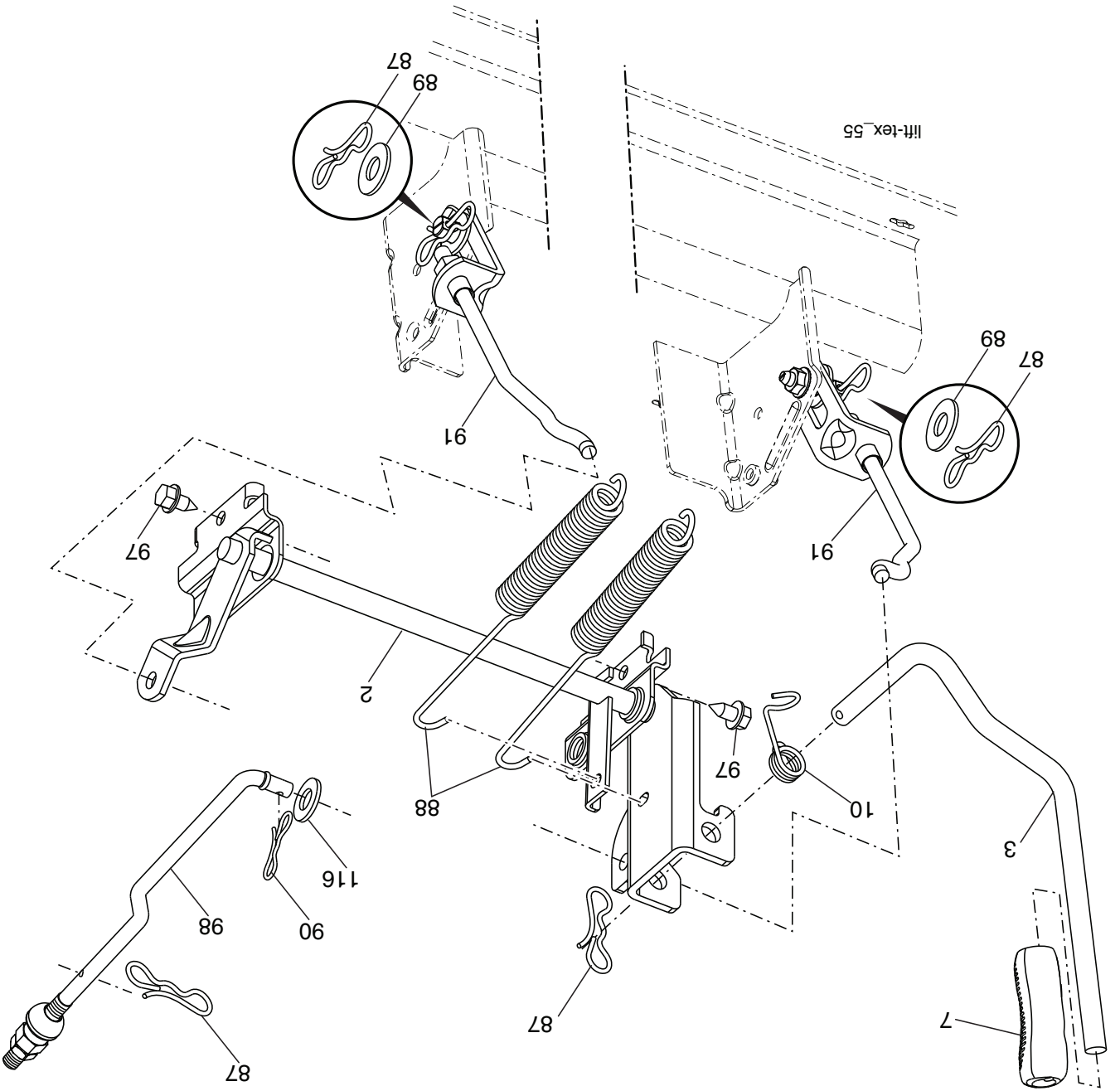


seat-tex\_knob\_6

No. Codigo Pieza	DESCRIPCIÓN	No. Codigo Pieza	DESCRIPCIÓN
1	Asiento	17	Tuerca 1/4 grado 5
2	SopORTE pivotante del guardabarros	19	Botón
6	873 80 06-00	21	Perno de tope de 5/16-18 x 5/8
7	587 61 33-01	37	Tuerca de presión de 5/16-18 unc
8	532 17 18-77	42	Arandela
10	532 44 18-05	46	Perno 3/8-16 x 1, 1.25 OD
12	532 19 93-70		
13	532 12 12-48		
14	872 05 04-12		
15	532 13 43-00		
16	532 12 37-40		
	Resorte		
	Separador		
	Perno 1/4-20 x 1-1/2		
	Buje		
	SopORTE		
	Bandeja del asiento		
	Perno de 5/16" unc x 3/4"		
	Resorte del asiento		
	3/8-16 unc		
	Tuerca de presión c/aislamiento de		

NOTA: Las dimensiones de todos los componentes están expresadas en pulgadas americanas.  
1 pulgada = 25,4 mm





CÓDIGO PIEZA No.	DESCRIPCIÓN	CÓDIGO PIEZA No.	DESCRIPCIÓN
89	Arandela de zinc transparente	89	Arandela de zinc transparente
88	Resorte de ayuda de la elevación en forma de mariposa	88	Resorte de ayuda de la elevación en forma de mariposa
87	Pasador de chaveta de 7/16 con bloqueo	87	Pasador de chaveta de 7/16 con bloqueo
10	Resorte de torsión	10	Resorte de torsión
7	Mango de la palanca derecha	7	Mango de la palanca derecha
3	Ensamble del eje de la elevación	3	Ensamble del eje de la elevación
2	Ensamble del eje de la elevación	2	Ensamble del eje de la elevación
90	Pasador de chaveta de 5/16 con bloqueo	90	Pasador de chaveta de 5/16 con bloqueo
91	Ensamble del acoplamiento en forma de mariposa	91	Ensamble del acoplamiento en forma de mariposa
97	Tornillo de 3/8-16 x 0,75	97	Tornillo de 3/8-16 x 0,75
98	Acoplamiento frontal de la elevación de la cortadora de césped	98	Acoplamiento frontal de la elevación de la cortadora de césped
116	Arandela 15/32 x 15/16 x calibre 16	116	Arandela 15/32 x 15/16 x calibre 16

NOTA: Las dimensiones de todos los componentes están expresadas en pulgadas americanas. 1 pulgada = 25,4 mm

**TRACTOR MODELO NO. PP22VA48 (96042019800), PRODUCTO NO. 960 42 01-98  
PLATAFORMA DE LA CORTADORA DE CÉSPED**

CÓDIGO	PIEZA	No.	DESCRIPCIÓN
587	83	64-01	Carcasa de la cortadora de césped
532	19	72-48	Cubierta izquierda del mandril
587	45	24-01	Cubierta derecha del mandril
589	33	34-02	SopORTE
532	18	00-54	Cuchilla de la cortadora
532	17	39-21	Cuchilla, mantillo
532	40	48-51	Barra contra la inclinación lateral
587	25	64-01	Ensamble del eje del mandril
532	18	72-81	Carcasa del mandril
585	32	39-01	Rodamiento de bolas del mandril
819	13	13-12	Arandelas 13/32 x 13/16 x calibre 12
872	11	05-05	Perno 5/16-18 x 5/8
872	14	05-05	Perno 5/16-18 x 5/8
532	19	42-08	Perno de tope
532	17	43-78	Delantero
873	68	05-00	Tuerca
532	17	44-93	Mandril
532	10	53-04	Tapa de la manga
532	17	81-02	Resorte de torsión del deflector
532	11	04-52	Tuerca de presión
532	18	17-07	Protector del deflector
532	13	14-91	Varilla de la bisagra
532	15	35-32	Polea del mandril
532	40	02-34	Tuerca de seguridad con brida
584	30	93-01	Tornillo 7/16-20 x 1
532	19	73-80	Polea inmóvil
584	95	39-01	Perno 3/8-18 x 1.19
532	19	60-65	Resorte de torsión de retención
532	13	77-29	Tornillo
532	19	72-42	SopORTE del cable de embrague
532	19	73-79	Polea loca
873	90	06-00	Tuerca 3/8-16 unc
817	49	06-36	Perno 3/8-16 unc x 2
532	19	73-79	Polea
872	11	06-12	Perno 3/8-16 x 1-1/2 Gr.5
532	17	85-15	Arandela
532	19	61-05	Resorte
872	11	05-08	Tornillo 5/16-18
532	19	74-51	Barra de la relevación de la tensión
532	19	34-06	Perno
589	52	73-01	Calibrador de la rueda
819	13	20-12	Arandela 13/32 x 1-1/4 x calibre 12
532	18	75-57	Sujetador izquierdo de la correa del motor(L)
873	90	07-00	Tuerca 7/16-14 Gr. 5
532	19	51-61	Fastener del perno prisionero
873	90	05-00	Sujetador del travesaño
532	19	51-85	Tuerca de presión hexagonal con brida
532	19	65-39	Perno
874	49	07-36	Perno 7/16-14 x 2.25
817	00	05-12	Tornillo 5/16-18 x 3/4
532	15	29-27	Tornillo #10-32.5 3/8 Flange
532	41	55-98	Puerto del derrubio
585	31	80-05	Placa de refuerzo delante
585	32	24-05	Placa de refuerzo lateral
539	10	98-00	Perno 1/4-20 x 1 Gr. 5
873	90	04-00	Tuerca 1/4-20 unc
532	41	64-05	Accesorio del conexión
587	12	54-01	Ensamble del Mandril (solo incluye la carcasa (#14), el ensamble del eje (#13) y el rodamiento(#15 et #33); no incluye la polea/tuerca/arandela ni los pernos/arandelas de la cuchilla) completa
587	81	95-01	Reemplazo de la cortadora de césped,

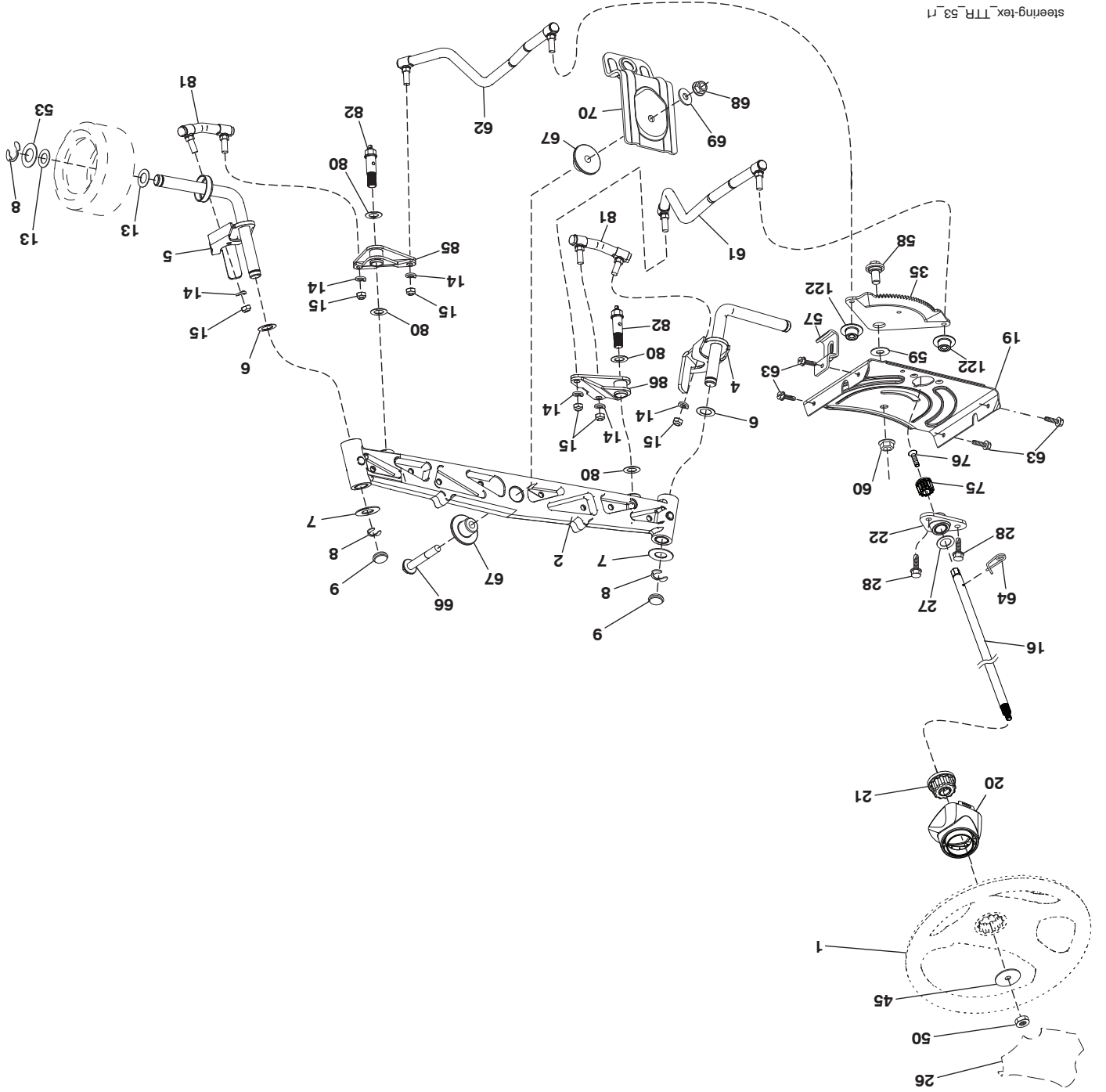
**NOTA:** Las dimensiones de todos los componentes están expresadas en pulgadas = 25,4 mm



CÓDIGO	PIEZA	No.	DESCRIPCIÓN
1	532 42 45-51		Volante de dirección
2	532 43 68-70		Eje
4	532 43 68-73		Ensamble del husillo izquierdo
5	532 43 68-74		Ensamble del husillo derecho
6	532 12 49-31		Arandela
7	532 12 17-48		Arandela de 25/32 x 1-5/8 calibre 16
8	812 00 00-29		Abrazadera del aro No. T5304-75
9	532 12 12-32		Tapa del husillo
13	532 12 17-49		Arandela de 25/32 x 1-1/4 calibre 16
14	539 99 01-18		Arandela 3/8
15	873 54 06-00		Tuerca corona de presión de 3/8-24 unt
16	587 01 60-02		Eje de dirección
19	532 19 47-29		Placa de dirección
20	532 42 47-40		Cargador del manejo
21	586 84 02-01		Adaptador del volante de dirección
22	585 02 99-01		Rodamiento
26	532 42 45-53		Inserto del volante de dirección
27	819 21 16-16		Arandela
28	817 00 06-12		Tornillo de 3/8-16 x 3/4
35	532 44 07-70		Engranaje del sector de la placa
45	587 01 64-01		Arandela 3/8 ID 2-3/8 OD calibre 12 PLTD
50	873 90 06-00		Tuerca 3/8-16 unc
53	532 18 89-67		Arandela reforzada de 793 x 1637 x 0,060
57	532 19 72-46		Topo superior del soporte
58	532 19 47-47		Perno de tope del sector del pivote CFM
59	532 19 47-48		Arandela de empuje del sector de dirección
60	873 97 10-00		Tuerca de presión con brida de 5/8-11
61	532 43 68-84		Barra de acoplamiento izquierda
62	532 43 68-85		Barra de acoplamiento derecha
63	817 00 05-12		Tornillo de 5/16-18 x 3/4
64	532 19 98-49		Abrazadera de retención del resorte de la dirección
66	871 02 07-48		Perno de cabeza 7/16-14 x 3
67	532 19 47-37		Buje PM del eje delantero
68	873 90 07-00		Tuerca de presión con brida de 7/16-14 grado 5
69	532 19 91-62		Arandela de 1,5 x 0,505 x 0,118
70	585 33 88-01		Soporte de la plataforma delantera
75	580 68 37-01		Pinón
76	580 68 36-01		Tornillo
80	532 00 13-70		Arandela 5/8 x 1.10 x 1/32
81	532 43 68-87		Varillaje
82	532 44 21-47		Perno
85	532 44 18-73		Pivotes (LD)
86	532 44 18-72		Pivotes (LI)
122	532 44 49-62		Tapa

NOTA: Las dimensiones de todos los componentes están expresadas en pulgadas americanas. 1 pulgada = 25,4 mm

TRACTOR MODELO NO. PP22VA48 (96042019800), PRODUCTO NO. 960 42 01-98  
ENSAMBLE DE LA DIRECCIÓN



steering-tex\_TTR\_53\_r1

CÓDIGO	PIEZA	No.	DESCRIPCIÓN
1	---	---	Motor B&S Modelo No. 44N677-0015-G1 (501259301) (Haga el pedido de las piezas al fabricante del motor)

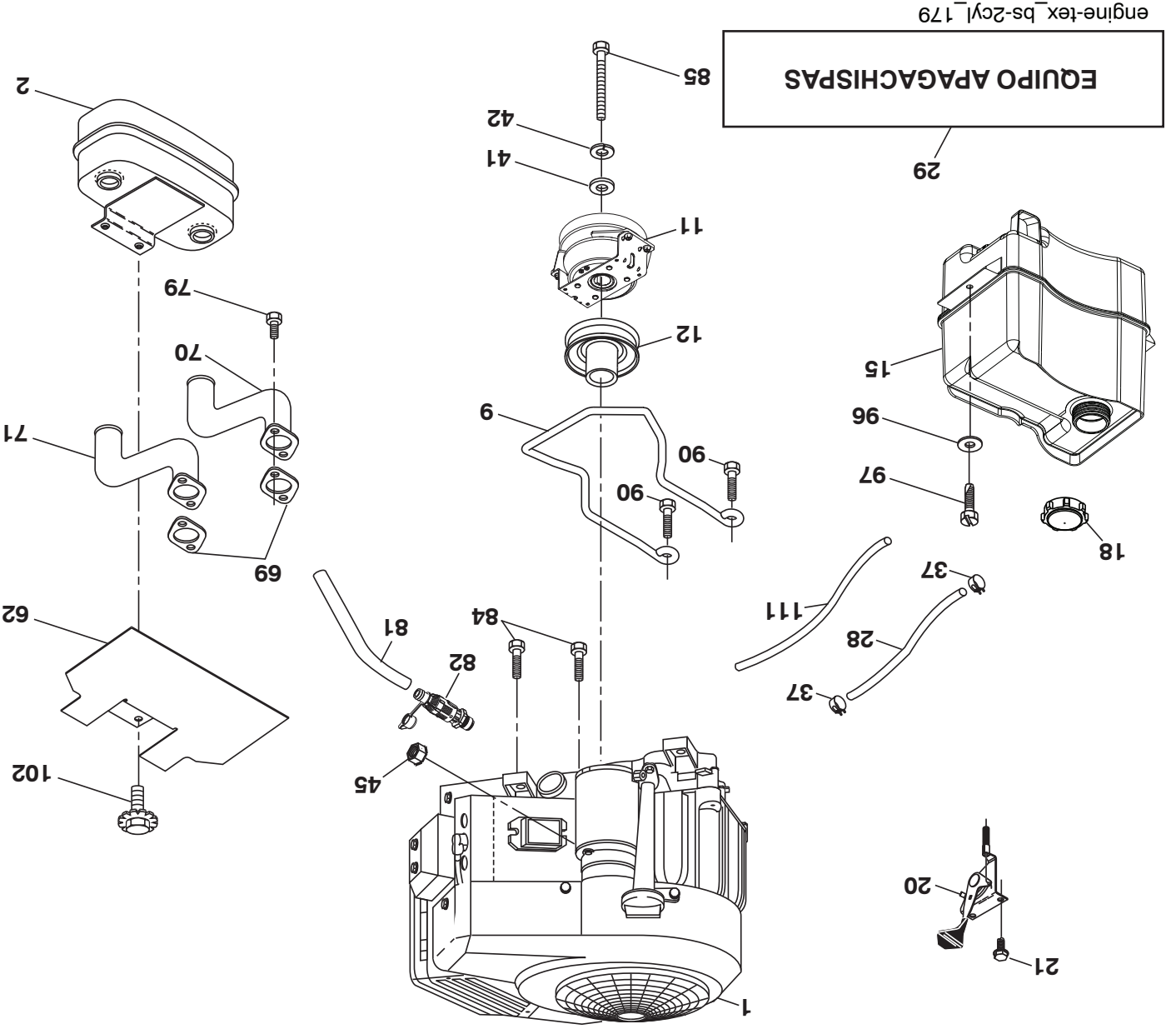
2	532 44 59-62		Silenciador
9	582 54 03-01		Ensamble del sujetador de la correa del motor
11	587 24 16-01		Embraque eléctrico
12	532 40 29-80		Polea del motor
15	532 43 30-04		Tanque de combustible
18	581 17 61-01		Ensamble de la tapa
20	587 24 25-01		Control del regulador
21	532 41 63-58		Tornillo No. 10 x 0.75
28	532 40 11-37		Línea de combustible
29	532 13 71-80		Equipo apagachispas
37	532 12 34-87		Abrazadera de la manguera
41	532 12 61-97		Arandela 1-1/2 OD x 15/32 ID x 250
42	539 99 02-47		Arandela 7/16
45	873 51 04-00		Tuerca
62	532 43 40-17		Silenciador con pantalla térmica
69	532 16 53-91		Junta
70	581 88 11-01		Tubo de escape izquierdo
71	581 88 10-01		Tubo de escape derecho
79	532 18 39-06		Tornillo 5/16-18 x .75
81	532 14 84-56		Tubo de fácil drenaje de aceite
82	532 42 82-87		Válvula
84	817 06 06-20		Tornillo 3/8-16 x 1
85	501 60 66-01		Perno de 7/16-20 x 3.75 calibre 5
90	817 00 06-16		Tornillo 3/8-16 x 1
96	819 09 14-16		Arandela 9/32 x 7/8 x calibre 16
97	817 67 04-12		Tornillo 1/4-20 x 3/4
102	817 00 05-12		Tornillo 5/16-18 x 3/4
111	532 41 41-19		Línea de purge

**NOTA:** Las dimensiones de todos los componentes están expresadas en pulgadas americanas. 1 pulgada = 25.4 mm

Para las piezas del servicio y de recambio del motor, llame el número gratis para su fabricante del motor enumerado abajo: Briggs & Stratton 1-800-233-3723

### Información de Clasificación de Potencia del Motor

La clasificación de potencia para un modelo de motor a gas en particular se designa de acuerdo al código J1940 de SAE (Sociedad de Ingenieros Automotrices) (Procedimiento de Clasificación de Potencia & Torque del Motor Fegueno), y la clasificación de desempeño ha sido obtenida y corregida de acuerdo con el código J1995 de SAE (Revisión 2002-05). Los valores de torque se obtienen a 3060 RPM; los valores de potencia se obtienen a 3600 RPM. La potencia bruta actual del motor será inferior y está afectada, entre otras cosas, por las condiciones operativas y la variabilidad de motor a motor. Dado ambos un amplio conjunto de productos no desarrollará la potencia nominal cuando sea usado en una parte del equipo acoplado (potencia real "en el sitio" o potencia neta). Esta diferencia se debe a una variedad de factores que incluyen, pero que no están limitados a, accesorios (filtro de aire, sistema de escape, sistema de carga, sistema de enfriamiento, carburador, bomba de combustible, etc.) limitaciones de la aplicación, condiciones ambientales de operación (temperatura, humedad, altitud), y la variabilidad de motor a motor. Debido a las limitaciones, Briggs & Stratton puede sustituir este motor con clasificación de potencia más alta por esta serie de motor.



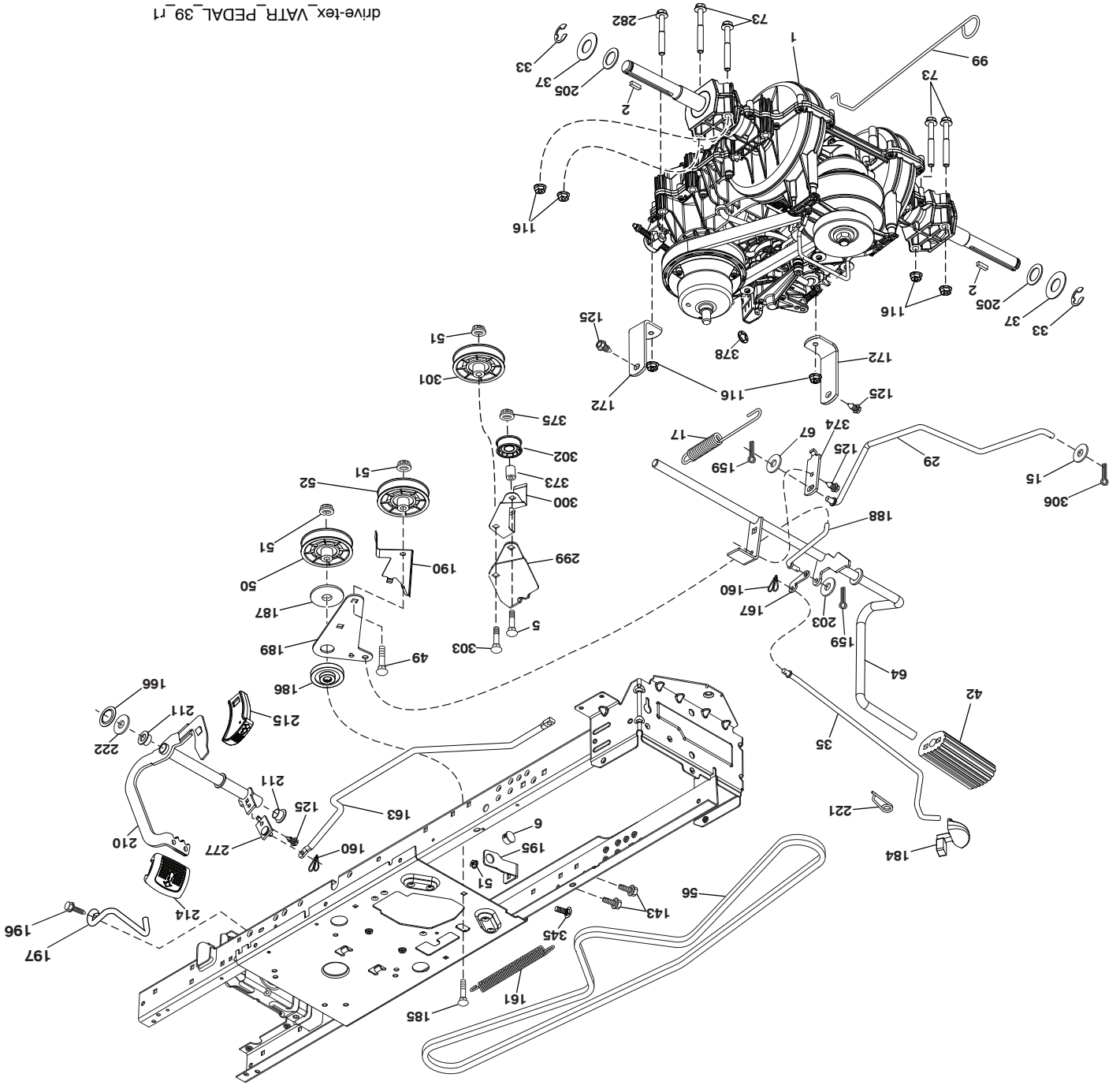
**TRACTOR MODELO NO. PP22VA48 (96042019800), PRODUCTO NO. 960 42 01-98**

**TRANSMISIÓN**

CÓDIGO	PIEZA	No.	DESCRIPCIÓN	CÓDIGO	PIEZA	No.	DESCRIPCIÓN
1	---	---	Transje, Gentrans VATR Pedal SD (587884601) (Haga el pedido de las piezas al fabricante del transeje.)	189	532	19 43-17	Varilla de mando del embrague del largo de desplazamiento
2	532	12 35-83	Cuña	190	532	19 43-18	Sujetador de la palanca acodada del mecanismo
5	874	76 06-36	Perno de HS 3/8-16 unc	195	581	50 46-01	Soprote del freno
6	532	12 40-28	Buje	196	817	00 06-16	Vis 3/8-16 x 1
15	819	13 13-16	Arandela de 13/32 x 13/16 x calibre 16	203	819	11 11-16	Embrague
17	501	48 71-01	Resorte de freno	205	532	12 17-48	Arandela de 25/32 x 1-5/8 x calibre 16
29	584	82 31-01	Varilla del freno	210	588	92 10-01	Ensamble del pedal
33	812	00 00-01	Aro "E"	214	532	42 12-63	Forro del pedal para avanzar
35	583	86 45-01	Varilla del freno de mano	215	532	44 82-54	Forro del pedal para retroceder
37	532	18 89-67	Arandela de .793 x 1.637 x 060	221	532	40 31-87	Abrazadera de retención del
42	532	12 48-72	Cubierta del pedal	222	879	21 20-10	resorte de la manija
49	872	11 06-14	Perno de 3/8-16unc x1-3/4 Gr. 5	277	532	44 85-00	Pedal subconjunto
50	532	19 43-27	Polea loca plana	282	874	49 05-48	Tornillo de 5/16-18 x 3
51	873	90 06-00	Tuerca 3/8-16	299	532	41 56-83	Soprote
52	532	19 43-26	Polea loca con ranura en V con un desplazamiento	300	532	41 56-81	Polea loca Sujetador
56	532	19 72-53	Correa de la transmisión	301	532	41 56-80	Polea loca plana
64	589	67 14-01	Ensamble del eje Control VATR	302	581	42 05-01	Polea loca plana 2.0 Od
67	582	58 01-01	Arandela de 13/32 x 13/16 x .109	303	872	11 06-18	Perno
73	874	49 05-44	Perno de 5/16-18 Gr. 5	306	876	02 04-16	Pasador de chaveta
78	874	49 05-44	Perno de 5/16-18 Gr. 5	345	872	11 06-06	Perno de 3/8-16 x 1 Gr. 5
99	532	43 59-35	Varilla del con resorte de desviación	373	581	46 18-01	Separador
116	873	90 05-00	Tuerca 5/16-18 unc	374	581	47 52-01	Soprote
125	817	00 05-12	Tornillo de 5/16-18 x 3/4	375	873	68 06-00	Tuerca 3/8-16 unc
143	817	49 05-08	Tornillo de 5/16-18 x 1/2 Tytt	378	584	28 77-01	Tuerca 8mm
143	817	49 05-08	Tornillo de 5/16-18 x 1/2 Tytt				
159	876	02 04-12	Pasador de chaveta de 1/8 x 3/4				
160	532	16 94-84	Abrazadera de retención				
161	532	10 57-09	Resorte de retorno del embrague 6.75				
163	587	84 79-01	Varilla de control del pedal				
166	532	42 91-64	Tuerca de presión .625				
167	532	40 52-57	Pestillo del freno de mano				
172	583	97 42-01	Correa de torsión (LI)/(LD)				
184	587	65 37-01	Manija del freno de mano				
185	872	11 06-22	Perno de 3/8-16 unc x 2-3/4 Gr. 5				
186	532	19 43-21	Espaciador de retención				
187	819	13 32-10	Arandela de 13/32 x 2 x calibre 10				
188	582	21 70-01	Mecanismo de desplazamiento de la				

**NOTA:** Las dimensiones de todos los componentes están expresadas en pulgadas americanas. 1 pulgada = 25,4 mm





drive-tex\_VATR\_PEDAL\_39\_r1

CÓDIGO	PIEZA	No.	DESCRIPCIÓN
5		587 83 41-01	Tablero
14		532 44 80-42	Capota
15		581 10 31-01	Lente izquierdo de la parrilla
18		581 10 29-02	Parrilla
25		581 10 30-01	Lente derecho de la parrilla
34		580 91 08-01	Chapa Motor
36		817 06 05-12	Tornillo de 5/16-18 x 3/4
37		532 42 07-96	Guardabarros
52		873 68 05-00	Tuerca de presión 5/16-18
58		532 41 22-80	Barra de tracción
68		817 49 05-08	Tornillo de 5/16-18 x 1/2
130		532 41 63-58	Tornillo de #10 x 0.750
138		532 40 97-30	Portavasos
150		584 86 29-01	Cubierta térmica del conducto
151		532 44 54-94	Soprote giratoria
152		532 19 95-35	Protector contra oscurecimiento
162		532 14 24-32	Tornillo
175		532 19 63-04	Travesaño
176		532 40 07-76	Tornillo de 10-24 x 5/8
177		532 19 52-28	Buje de dirección
180		532 41 50-63	Chasis
181		532 40 47-96	Buje de soporte del guardabarros de carga
182		586 73 86-02	Tablero inferior
183		874 52 05-20	Perno 5/16-18 x 1-1/4
189		817 00 05-12	Tornillo
191		581 22 35-01	Reflector (LD)
194		873 90 05-00	Tuerca de presión de 5/16-18
195		532 40 41-37	Tapón
196		532 41 45-81	Ensamble de la consola de la plataforma de elevación
202		581 85 92-01	Salida de Ventilación (LD)
203		581 85 91-01	Salida de Ventilación (LI)
213		874 76 05-12	Perno 5/16-18 unc x 3/4
217		532 40 91-67	Varilla giratoria
218		532 19 63-95	Tope
225		581 10 32-01	Borde
228		532 19 51-61	Sujetador del travesaño
233		532 19 65-39	Perno
235		532 40 61-29	Separador del guardabarros
236		873 93 05-00	Tuerca de presión 5/16-18 unc
237		532 40 37-04	Tapón
287		817 60 04-06	Tornillo 1/4-20 x 3/8
297		581 22 36-01	Reflector (LI)

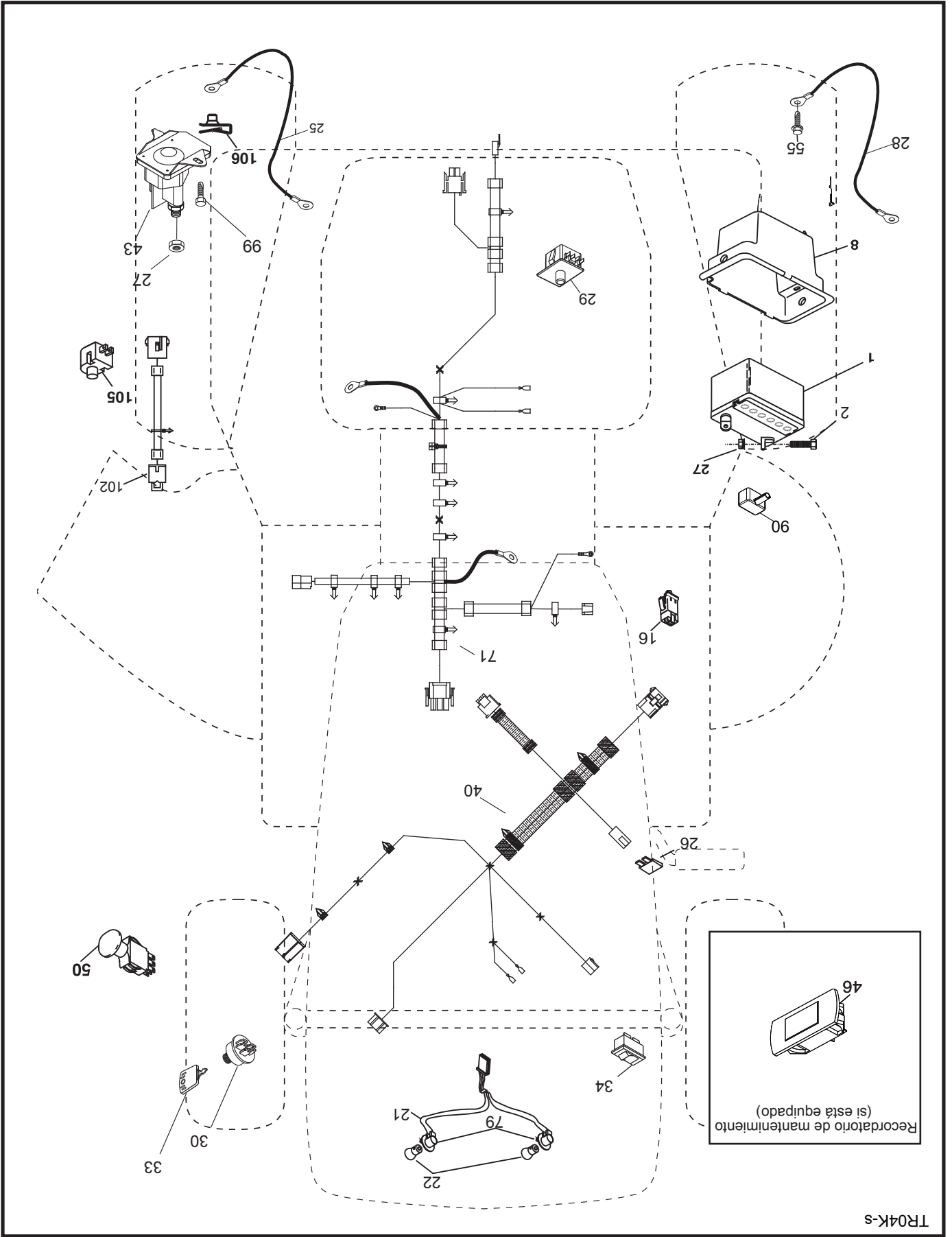
**NOTA:** Las dimensiones de todos los componentes están expresadas en pulgadas americanas. 1 pulgada = 25,4 mm



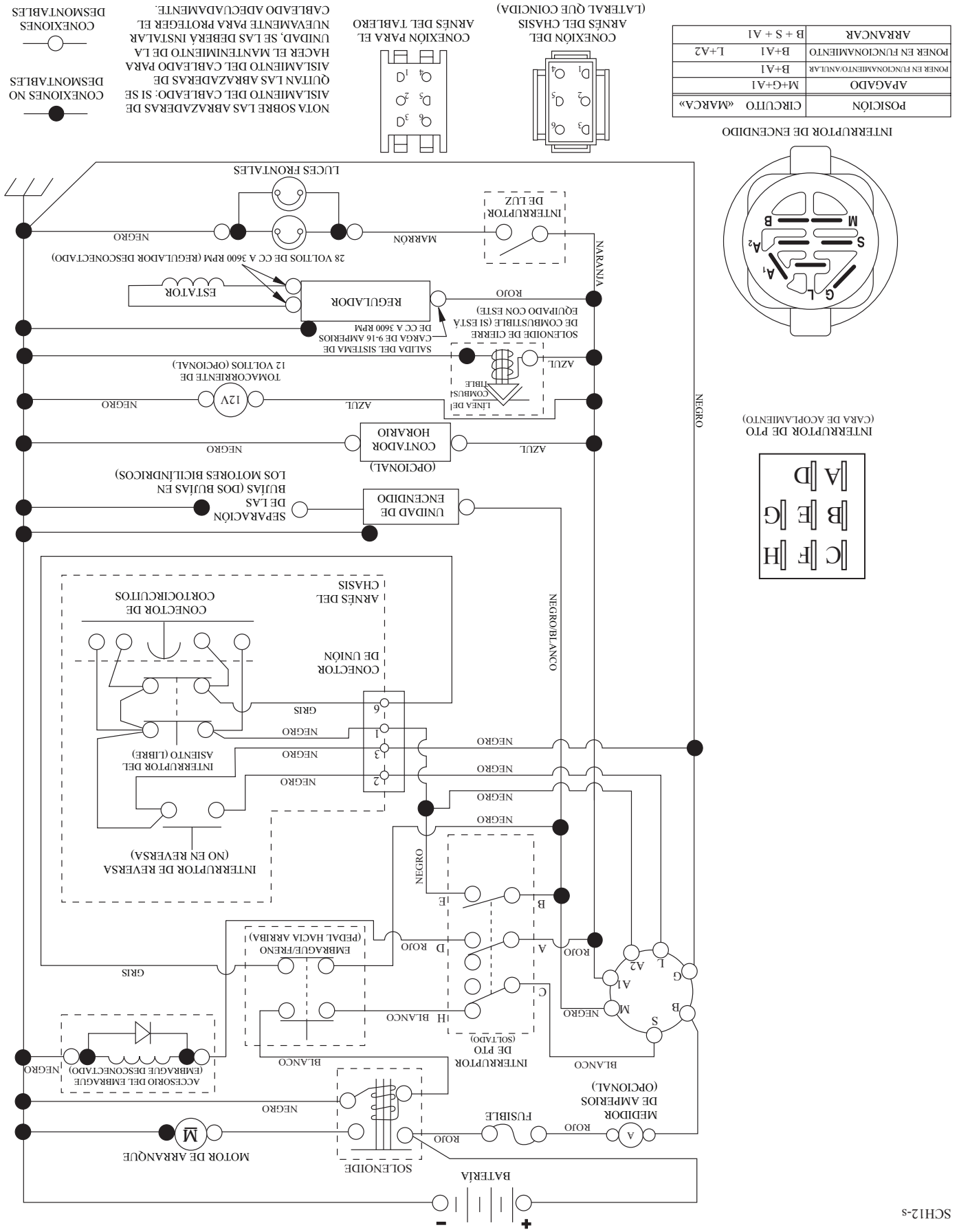
CÓDIGO	PIEZA	No.	DESCRIPCIÓN
1	532 16 34-65		Batería
2	874 76 04-12		Perno de cabeza hexagonal de 1/4-20 x 3/4
8	532 19 32-28		Caja de la batería
16	532 17 61-38		Interruptor corta corriente a presión
21	532 40 02-52		Cableado del enchufe para la luz
22	532 00 41-52		Bombilla de luz
25	581 49 80-01		Cable
26	532 17 51-58		Fusible
27	873 51 04-00		Tuerca hexagonal Keps de 1/4-20 unc
28	532 42 16-86		Cable a tierra calibre 8
29	532 19 27-49		Interruptor del asiento
30	532 19 33-50		Interruptor de encendido
33	532 41 19-33		Llave/cadena
34	532 11 07-12		Interruptor de luz/de restauración
40	585 55 53-01		Cableado del tablero de encendido
43	582 04 28-01		Solenoid
46	586 16 18-01		Indicador SRVCMNDR HRMTR
50	582 10 76-01		Interruptor PTO
55	817 06 05-12		Tornillo de 5/16-18 x 3/4
71	501 13 37-01		Cableado de encendido
79	532 17 52-42		Enchufe de cierre por torsión del ensamble de la bombilla
90	532 43 53-95		Tapa de los bornes de la batería
99	817 67 04-12		Tornillo 1/4-20 x 3/4
102	581 02 34-01		Cableado
105	532 40 75-68		Cambie el revés
106	532 17 48-14		Tuerca 1/4

NOTA: Las dimensiones de todos los componentes están expresadas en pulgadas americanas. 1 pulgada = 25,4 mm

TRACTOR MODELO NO. PP22VA48 (96042019800), PRODUCTO NO. 960 42 01-98  
 DIAGRAMA ELÉCTRICO

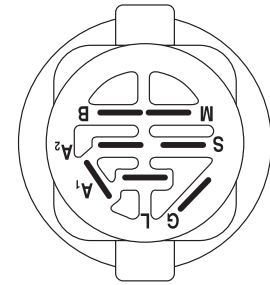


TR04K-S

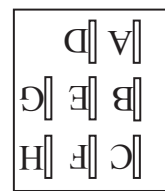


POSICIÓN	CIRCUITO «MARCA»
APAGADO	M+G+A1
PONER EN FUNCIONAMIENTO	B+A1
ARRANCAR	B + S + A1

INTERUPCIÓN DE ENCENDIDO



INTERUPCIÓN DE PTO (CARA DE ACOPLAMIENTO)



NOTA SOBRE LAS ARRAZADERAS DE AISLAMIENTO DEL CABLEADO: SI SE QUITAN LAS ARRAZADERAS DE AISLAMIENTO DEL CABLEADO PARA HACER EL MANTENIMIENTO DE LA UNIDAD, SE LAS DEBERÁ INSTALAR NUEVAMENTE PARA PROTEGER EL CABLEADO ADECUADAMENTE.

CONEXIONES NO DESMONTABLES

CONEXIONES DESMONTABLES

# COMO UTILIZAR ESTE MANUAL

Este manual está diseñado para brindarle al comprador un medio para identificar las piezas del tractor para cuando necesite hacer el pedido de un repuesto. Las ilustraciones pueden o no representar los ensamblajes reales; por lo tanto, no se recomienda utilizar este manual como una guía para ensamblar o desarmar el tractor. Algunos accesorios y piezas están dibujados en tamaños más grandes para identificarlos con mayor facilidad.

Cada tractor tiene su propio número de modelo.

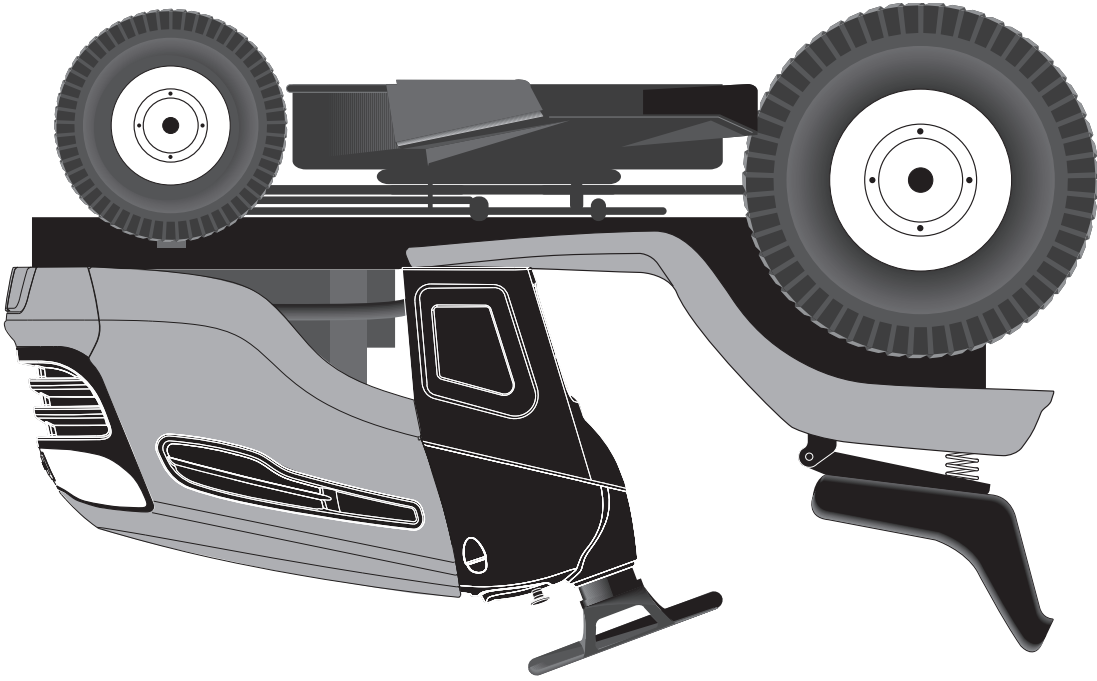
El número de modelo del tractor se encuentra en el guardabarros debajo del asiento. Cuando haga el pedido de una pieza, siempre brinde la siguiente información:

- Producto: "TRACTOR"
- NÚMERO DE MODELO: "PP22VA48 (96042019800)"
- Número de pieza
- Descripción de la pieza

## INDICE

DIAGRAMA.....	3
DIAGRAMA ELÉCTRICO.....	4-5
CHASIS.....	6-7
TRANSMISIÓN.....	8-9
MOTOR.....	10-11
DIRECCIÓN.....	12-13
PLATAFORMA DE LA CORTADORA DE CÉSPED.....	14-15
ELEVACIÓN DE LA CORTADORA DE CÉSPED.....	16
ASIENTO.....	17
CALCOMANÍAS.....	18
PARTES Y SERVICIOS.....	20

# POULANPRO®



## MANUAL DE REPUESTOS

MODEL:

# PP22VA48

## TRACTOR PARA CÉSPED

SIEMPRE USE PROTECCIONES PARA LOS OJOS MIENTRAS OPERE ESTE TRACTOR

Vea la página web: [www.poulanpro.com](http://www.poulanpro.com)

### ADVERTENCIA:

Leer, entender y seguir todas las instrucciones sobre la máquina y en el manual antes de empezar. Si no se observan las instrucciones de seguridad siguientes se pueden producir lesiones graves o la muerte.