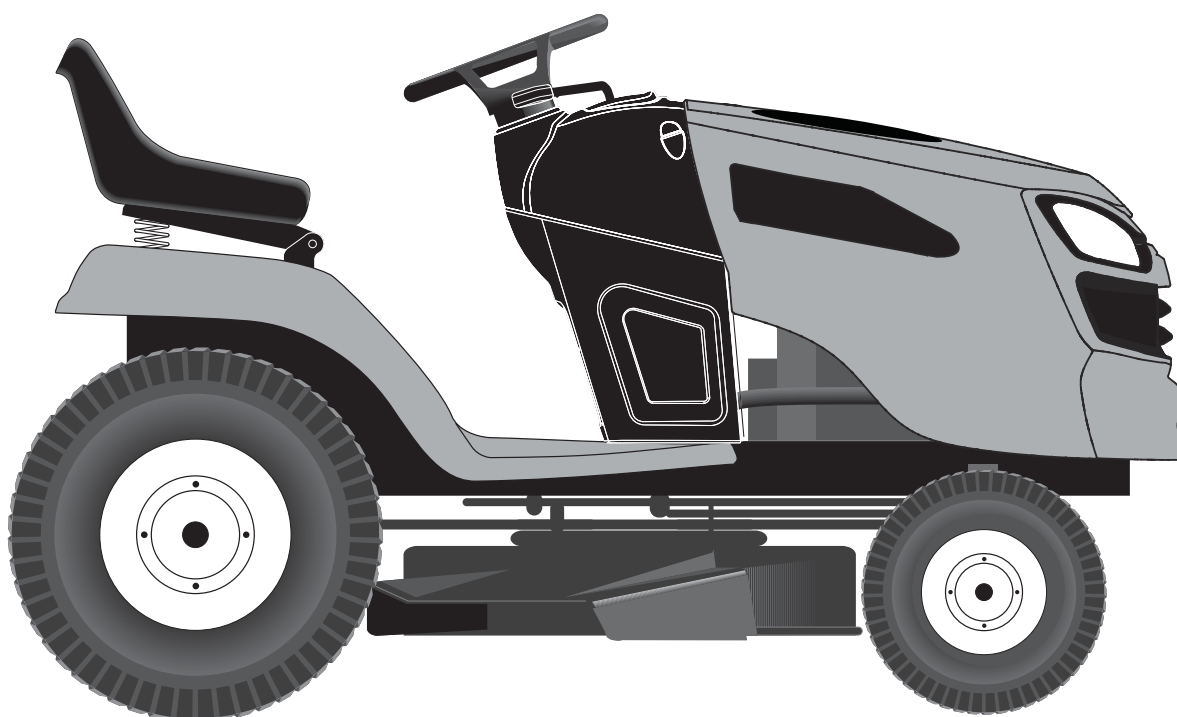


IMPORTANT MANUAL

DO NOT THROW AWAY

POULAN[®]PRO



REPAIR PARTS MANUAL

MODEL:

PP20VA46

LAWN TRACTOR

ALWAYS WEAR EYE PROTECTION DURING OPERATION

Visit our website: www.poulanpro.com



WARNING:

Read this Manual and follow all Warnings and Safety Instructions. Failure to do so can result in serious injury.

501 51 45-01 Rev. 16

01.11.19 JSE/SR
Printed in the U.S.A.

HOW TO USE THIS MANUAL

This manual is designed to provide the customer with a means to identify the parts on his/her tractor when ordering repair parts. The illustrations may or may not represent the actual assemblies; therefore, it is not recommended to use this manual as a guide to assemble or disassemble the tractor. Some hardware and parts are drawn larger in order to more readily identify them.

Each tractor has its own model number.

The model number for your tractor can be found on the fender under the seat.

Support / Help

If you require assistance or have questions concerning the application, operation, maintenance or parts for your product:

- Visit our website: www.husqvarna.com
- Call Us Toll Free: 1-800-487-5951

When ordering parts, always give the following information:

- Product - "TRACTOR"
- MODEL NUMBER - "PP20VA46 (96046007900)"
- Part Number
- Part Description

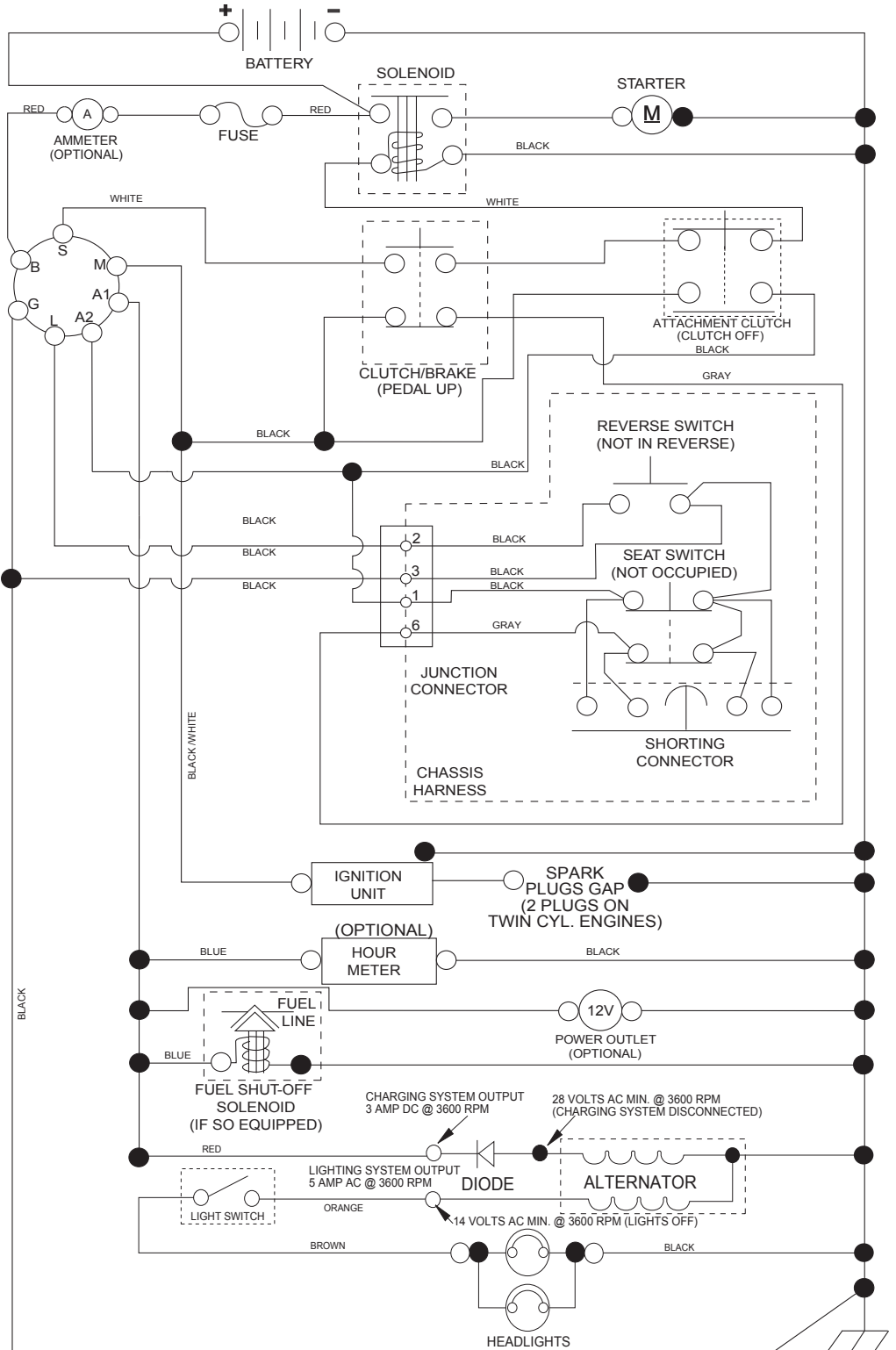
TABLE OF CONTENTS

SCHEMATIC	3
ELECTRICAL.....	4-5
CHASSIS	6-7
DRIVE.....	8-9
ENGINE.....	10-11
STEERING	12-13
MOWER DECK	14-15
MOWER LIFT.....	16
SEAT	17
DECALS.....	18
PARTS AND SERVICE	20

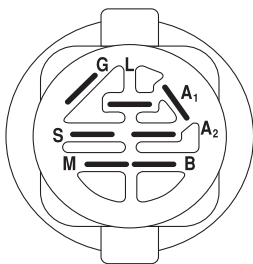
TRACTOR - MODEL NO. PP20VA46 (96046007900), PRODUCT NO. 960 46 00-79

SCHEMATIC

SCH11

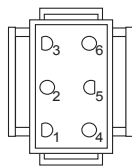


NOTE
 YOUR TRACTOR IS EQUIPPED WITH A SPECIAL ALTERNATOR SYSTEM. THE LIGHTS ARE NOT CONNECTED TO THE BATTERY, BUT HAVE THEIR OWN ELECTRICAL SOURCE. BECAUSE OF THIS, THE BRIGHTNESS OF THE LIGHTS WILL CHANGE WITH ENGINE SPEED. AT IDLE THE LIGHTS WILL DIM. AS THE ENGINE IS SPEEDED UP, THE LIGHTS WILL BECOME THEIR BRIGHTEST.

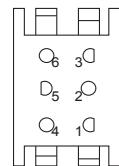


IGNITION SWITCH

POSITION	CIRCUIT "MAKE"
OFF	M+G+A1
RUN/OVERRIDE	B+A1
RUN	B+A1 L+A2
START	B + S + A1



CHASSIS HARNESS CONNECTOR (MATING SIDE)



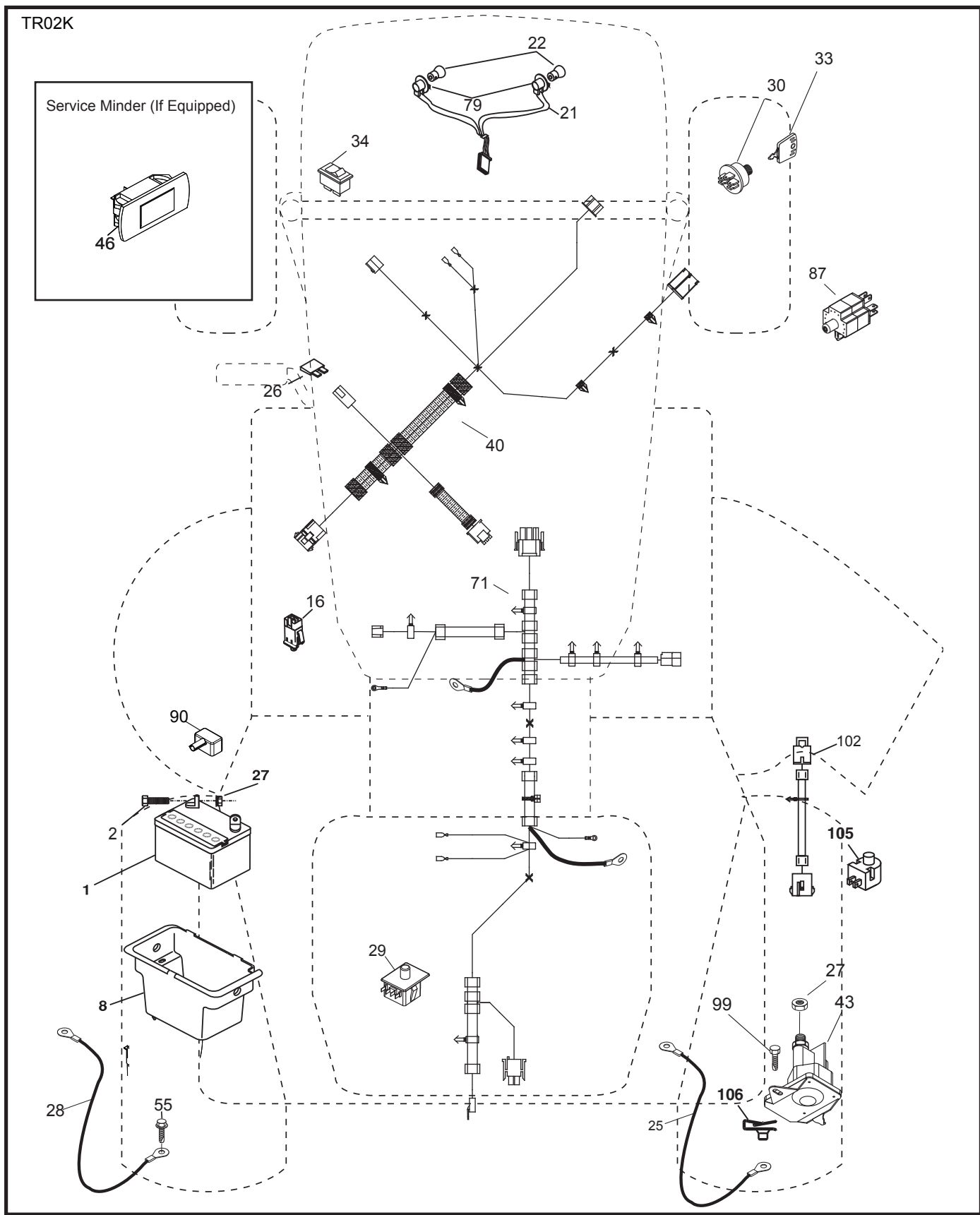
DASH HARNESS CONNECTOR (MATING SIDE)

WIRING INSULATED CLIPS
 NOTE: IF WIRING INSULATED CLIPS WERE REMOVED FOR SERVICING OF UNIT, THEY SHOULD BE RE-INSTALLED TO PROPERLY SECURE YOUR WIRING.

NON-REMOVABLE CONNECTIONS

REMOVABLE CONNECTIONS

**TRACTOR - MODEL NO. PP20VA46 (96046007900), PRODUCT NO. 960 46 00-79
ELECTRICAL**

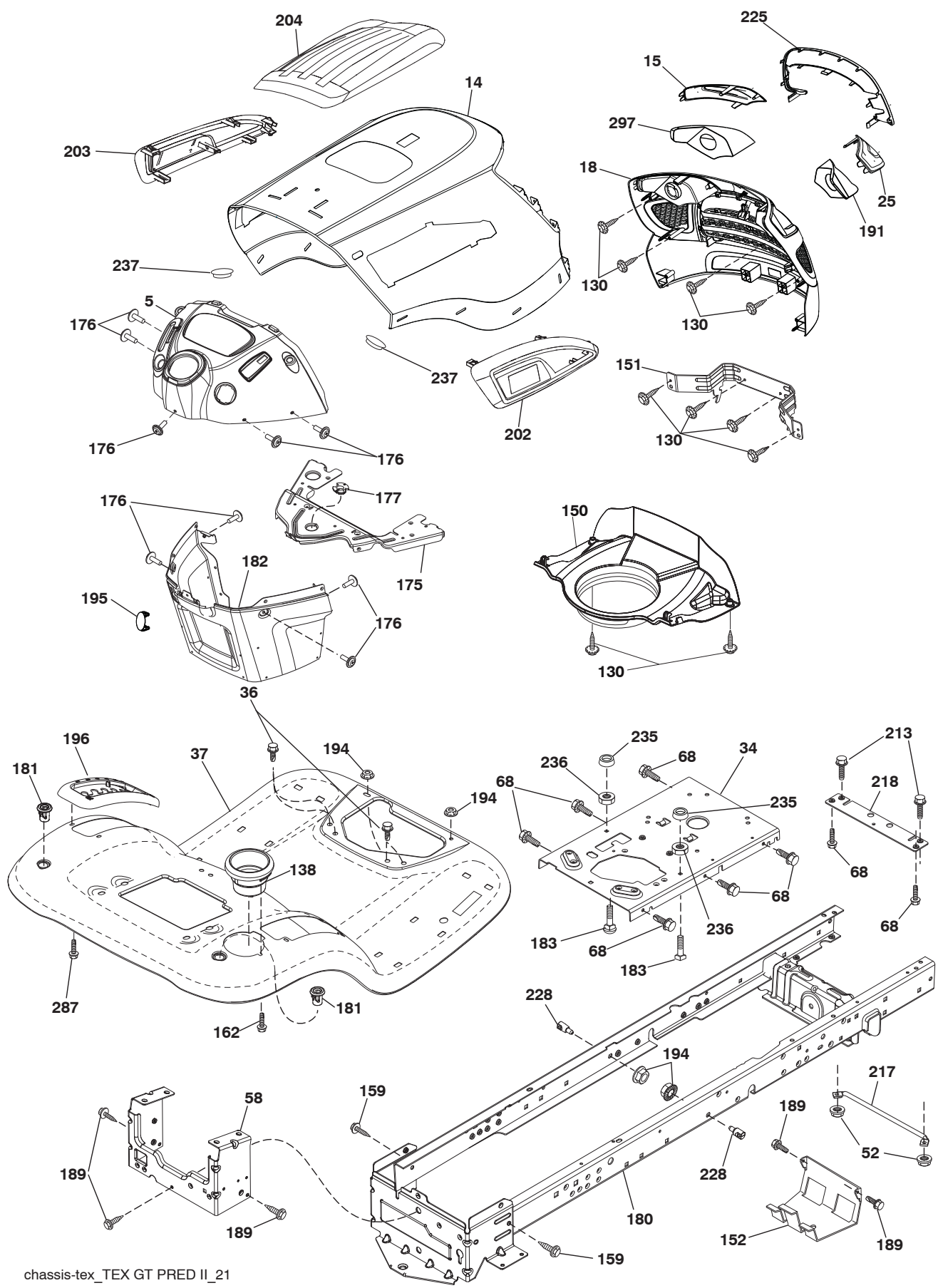


**TRACTOR - MODEL NO. PP20VA46 (96046007900), PRODUCT NO. 960 46 00-79
ELECTRICAL**

KEY NO.	PART NO.	DESCRIPTION
1	532 16 34-65	Battery
2	874 76 04-12	Bolt Hex Hd 1/4-20 unc x 3/4
8	532 19 32-28	Box Battery
16	532 17 61-38	Switch Interlock
21	532 40 02-52	Harness Socket Light
22	532 00 41-52	Bulb, Light #1156
25	581 49 80-01	Cable Starter 6 Ga. BL/Red 14.5
26	532 17 51-58	Fuse
27	873 51 04-00	Nut Keps Hex 1/4-20 unc
28	532 42 16-86	Cable Ground 18" Rear Battery Blk 6 Ga.
29	532 19 27-49	Switch Seat
30	532 19 33-50	Switch Ign
33	532 41 19-33	Key/Chain
34	532 11 07-12	Switch Light/Reset
40	581 02 31-01	Harness Ign Dash
43	582 04 28-01	Solenoid
55	817 06 05-12	Screw 5/16-18 x 3/4
71	501 13 37-01	Harness Ign. Chass.
79	532 17 52-42	Socket Asm. Bulb
87	532 19 78-02	Switch Interlock Clutch
90	532 43 53-95	Cover Terminal
99	817 67 04-12	Screw
102	581 02 34-01	Pigtail Rev. GT VATR
105	532 40 75-68	Switch Reverse
106	532 17 48-14	Pal nut

NOTE: All component dimensions given in U.S. inches
1 inch = 25.4 mm

TRACTOR - MODEL NO. PP20VA46 (96046007900), PRODUCT NO. 960 46 00-79 CHASSIS



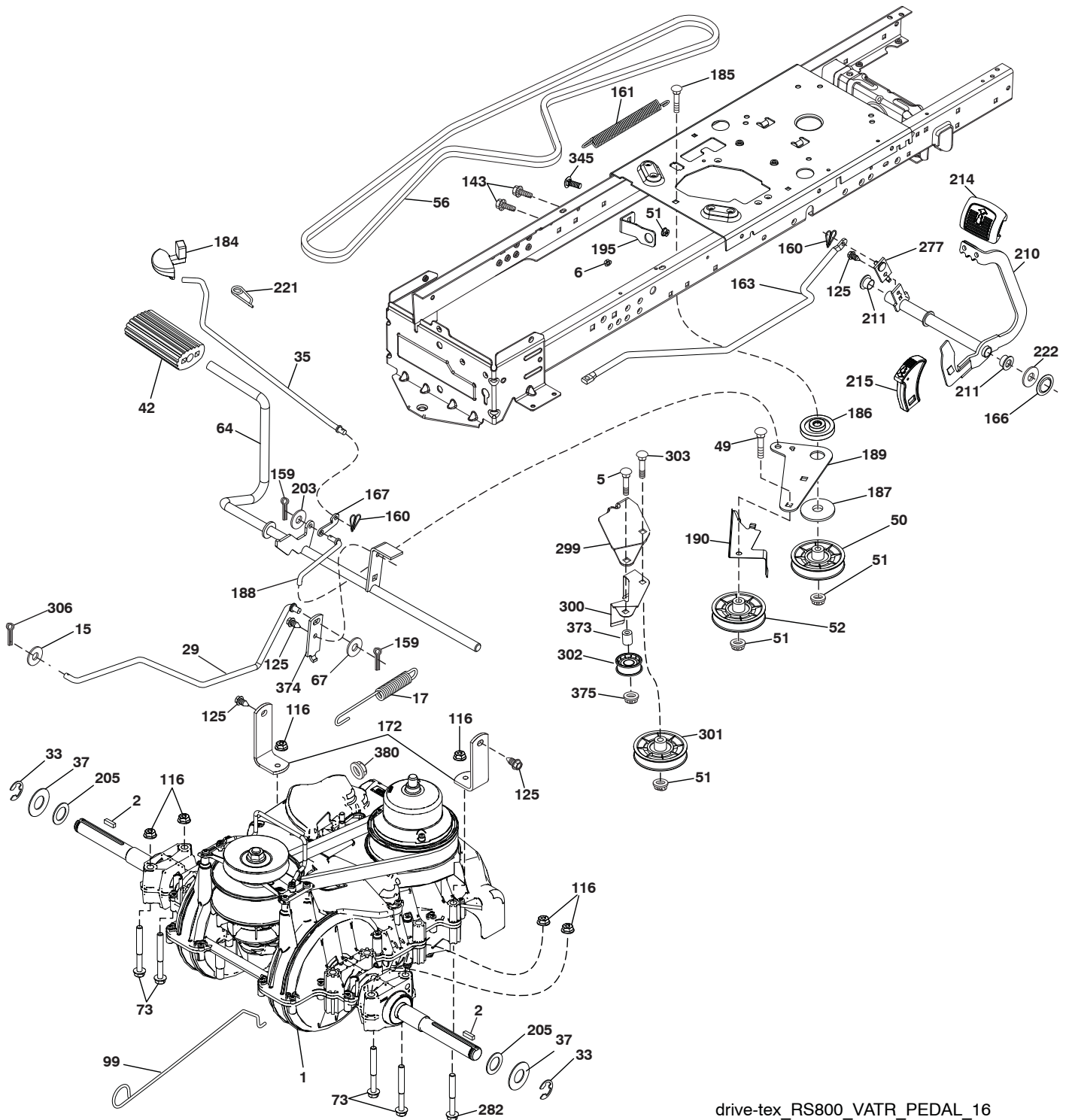
chassis-tex_TEX GT PRED II_21

**TRACTOR - MODEL NO. PP20VA46 (96046007900), PRODUCT NO. 960 46 00-79
CHASSIS**

KEY NO.	PART NO.	DESCRIPTION
5	532 44 18-82	Dash
14	501 12 85-02	Hood
15	581 10 31-01	Lens LH
18	581 10 29-02	Grille
25	581 10 30-01	Lens RH
34	580 91 08-01	Plate Engine
36	817 06 05-12	Screw 5/16-18 x 3/4
37	532 42 07-96	Fender
52	873 68 05-00	Nut Lock 5/16-18
58	532 41 22-80	Drawbar Upper
68	539 99 08-58	Screw Thdrol 5/16-18 x 1/2
130	532 41 63-58	Screw #10 x 0.750
138	532 40 97-30	Cupholder
150	584 86 29-01	Duct Heat Hood
151	532 44 54-94	Bracket Pivot
152	532 19 95-35	Shield Browning
159	817 00 06-12	Screw Hexwsh Thdrol 3/8-16 x 3/4
162	532 14 24-32	Screw Hex Wsh Hi-Lo 1/4 x 1/2
175	590 60 77-02	Crossmember
176	532 40 07-76	Screw 10-24 x 5/8 Wshd Qdrx
177	532 19 52-28	Bushing Steering
180	532 41 50-63	Chassis
181	532 40 47-96	Bushing Mtg. Fender Crgo.
182	586 73 86-02	Dash Lower
183	874 52 05-20	Bolt 5/16-18 x 1-1/4
189	817 00 05-12	Screw 5/16-18 x 3/4
191	581 22 35-01	Insert Reflector RH
194	873 90 05-00	Nut Lock Hex Flange 5/16-18
195	532 40 41-37	Plug Hole Dash Lower
196	532 41 45-81	Console Asm. Deck Lift
202	501 51 01-01	Vent Side Hood RH
203	501 51 01-02	Vent Side Hood LH
204	587 96 32-01	Vent Asm. Top
213	874 76 05-12	Bolt 5/16-18 x 3/4
217	532 40 91-67	Rod Pivot Hood
218	532 19 63-95	X-Piece Hood Step
225	581 10 32-01	Trim Ring
228	532 19 51-61	Stud Fastener
235	532 40 61-29	Spacer Fender
236	873 93 05-00	Nut Center Lock 5/16-18
237	532 40 37-04	Plug Mount Cargo
287	817 60 04-06	Screw 1/4-20 x 3/8
297	581 22 36-01	Insert Reflector LH
- -	532 44 11-26	Plug Dash Srvmandr

NOTE: All component dimensions given in U.S. inches
1 inch = 25.4 mm

**TRACTOR - MODEL NO. PP20VA46 (96046007900), PRODUCT NO. 960 46 00-79
DRIVE**



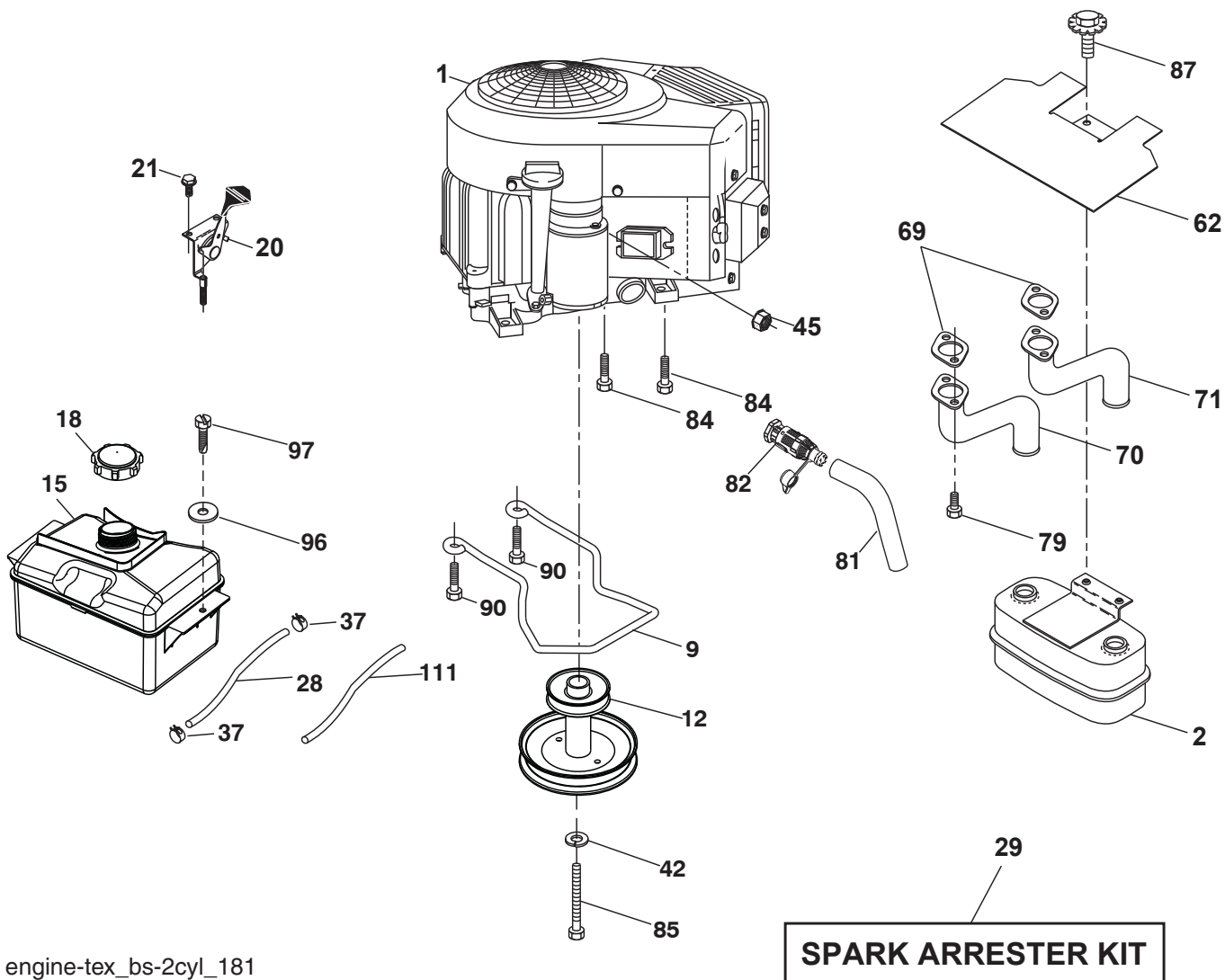
drive-tex_RS800_VATR_PEDAL_16

**TRACTOR - MODEL NO. PP20VA46 (96046007900), PRODUCT NO. 960 46 00-79
DRIVE**

KEY NO.	PART NO.	DESCRIPTION	KEY NO.	PART NO.	DESCRIPTION
1	---	Transmission, Variator SD Pdeal (590277501) (Order parts from transaxle manufacturer.)	185	872 11 06-22	Bolt Rdhd 3/8-16 unc x 2-3/4 Gr.5
2	532 12 35-83	Key Square	186	532 19 43-21	Spacer Retainer
5	874 76 06-36	Bolt Hex HS 3/8-16 unc	187	819 13 32-10	Washer 13/32 x 2 x 10 Ga.
6	532 12 40-28	Bushing Snap	188	582 21 70-01	Link Clutch Ground Drive Long
15	819 13 13-16	Washer 13/32 x 13/16 x 16 Ga.	189	532 19 43-17	Bellcrank Groundrive Nstg/Nstl
17	501 48 71-01	Spring Brake	190	532 19 43-18	Keeper Bellcrank Drive Ground
29	584 82 31-01	Rod Brake	195	581 50 46-01	Brake Bracket
33	812 00 00-01	E-Ring	203	819 11 11-16	Washer 11/32 x 11/16 x 16 Ga.
35	590 60 59-01	Rod Brake Parking	205	532 12 17-48	Washer 25/32 x 1-5/8 x 16 Ga.
37	532 18 89-67	Washer Harden .793 x 1.637 x 060	210	588 92 10-01	Weldment Pedal
42	532 12 48-72	Cover Pedal Blk Round	211	532 12 01-83	Bearing Nylon
49	872 11 06-14	Bolt Rdhd 3/8-16unc x1-3/4 Gr.5	214	532 42 12-63	Pedal Forward Pad
50	532 19 43-27	Idler.Flat	215	532 44 82-54	Cap Pedal Reverse
51	873 90 06-00	Nut Hex Flangelock 3/8-16	221	532 40 31-87	Retainer Spring Clip Handle
52	532 19 43-26	Idler V-Groove Offset	222	879 21 20-10	Washer 21/32 x 1-1/4 10 Ga.
56	532 19 72-53	Belt Drive	277	532 44 85-00	Subasm. Link Rocker Pedal
64	589 67 14-01	Shaft Variator Pedal Brake	282	874 49 05-48	Screw Thdrol 5/16-18 x 3
67	582 58 01-01	Washer Nylon 13/32 x 13/16 x .109	299	532 41 56-83	Bracket Mount Idler
73	874 49 05-44	Bolt Hex Flghd 5/16-18 Gr. 5	300	532 41 56-81	Keeper Idler Rear
99	532 43 59-35	Rod Bypass	301	532 41 56-80	Pulley Idler V-Groove
116	873 90 05-00	Nut Lock Hex Flange 5/16-18 unc	302	581 42 05-01	Pulley Idler Flat 2.0 Od
125	817 00 05-12	Screw 5/16-18 x 3/4 Smgml Tap/Bl	303	872 11 06-18	Bolt Rdhd Sgnk 3/8-16 x 2-1/4
143	539 99 08-58	Screw Thdrol 5/16-18 x 1/2 Tytt	306	876 02 04-16	Cotter Pin
159	876 02 04-12	Pin Cotter 1/8 x 3/4	345	872 11 06-06	Bolt Rdhd Sgnk 3/8-16 x 1 Gr. 5
160	532 16 94-84	Retainer Clip(M) Dia. 290	373	581 46 18-01	Spacer Idler
161	532 10 57-09	Spring Return Clutch 6.75	374	581 47 52-01	Bracket Brake Arm
163	587 84 79-01	Rod Control Pedal	375	873 68 06-00	Nut Crownlock 3/8-16 unc
166	532 42 91-64	Nut Push .625	380	582 47 86-01	Nut Flg Nylock 1/4-20 Gr G ZY
167	532 40 52-57	Latch Brake Parking			
172	583 97 42-01	Strap Torque LH/RH			
184	587 65 37-01	Handle Parking Brake			

NOTE: All component dimensions given in U.S. inches
1 inch = 25.4 mm

**TRACTOR - MODEL NO. PP20VA46 (96046007900), PRODUCT NO. 960 46 00-79
ENGINE**



engine-tex_bs-2cyl_181

**TRACTOR - MODEL NO. PP20VA46 (96046007900), PRODUCT NO. 960 46 00-79
ENGINE**

KEY NO.	PART NO.	DESCRIPTION
1	---	Engine B&S Model No. 40N877-0004-G1 (587723901)(Order parts from engine manufacturer.)
2	589 81 87-01	Muffler
9	582 54 03-02	Keeper Belt Engine
12	532 40 51-40	Pulley Engine
15	532 43 30-04	Tank Fuel
18	581 17 61-01	Cap Fuel
20	532 42 35-02	Control Throttle/Choke
21	532 41 63-58	Screw #10 x 0.750
28	532 40 11-37	Fuel Line
29	532 13 71-80	Spark Arrester Kit
37	532 12 34-87	Clamp Hose
42	539 99 02-47	Washer 7/16 SLW STD
45	873 51 04-00	Nut Keps Hex 1/4-20 unc
62	532 43 40-17	Shield Heat Muffler
69	532 16 53-91	Gasket
70	581 88 11-01	Exhaust Tube LH
71	581 88 10-01	Exhaust Tube RH
79	532 18 39-06	Screw Socket Hd 5/16-18 x 1
81	532 14 84-56	Tube Drain Oil Easy
82	532 42 82-87	Valve Oil Drain
84	817 06 06-20	Screw 3/8-16 x 1-1/4
85	501 60 65-01	Bolt Hex 7/16-20 X 4 Gr. 5 1.5
87	532 19 82-39	Bolt 5/16-18 unc x 1 w/Sems
90	817 00 06-16	Screw 3/8-16 x 1
96	819 09 14-16	Washer 9/32 x 7/8 x 16 Ga.
97	817 67 04-12	Screw Hexwsh Thdrl 1/4-20 x 3/4
111	532 41 41-19	Purge Line

NOTE: All component dimensions given in U.S. inches
1 inch = 25.4 mm

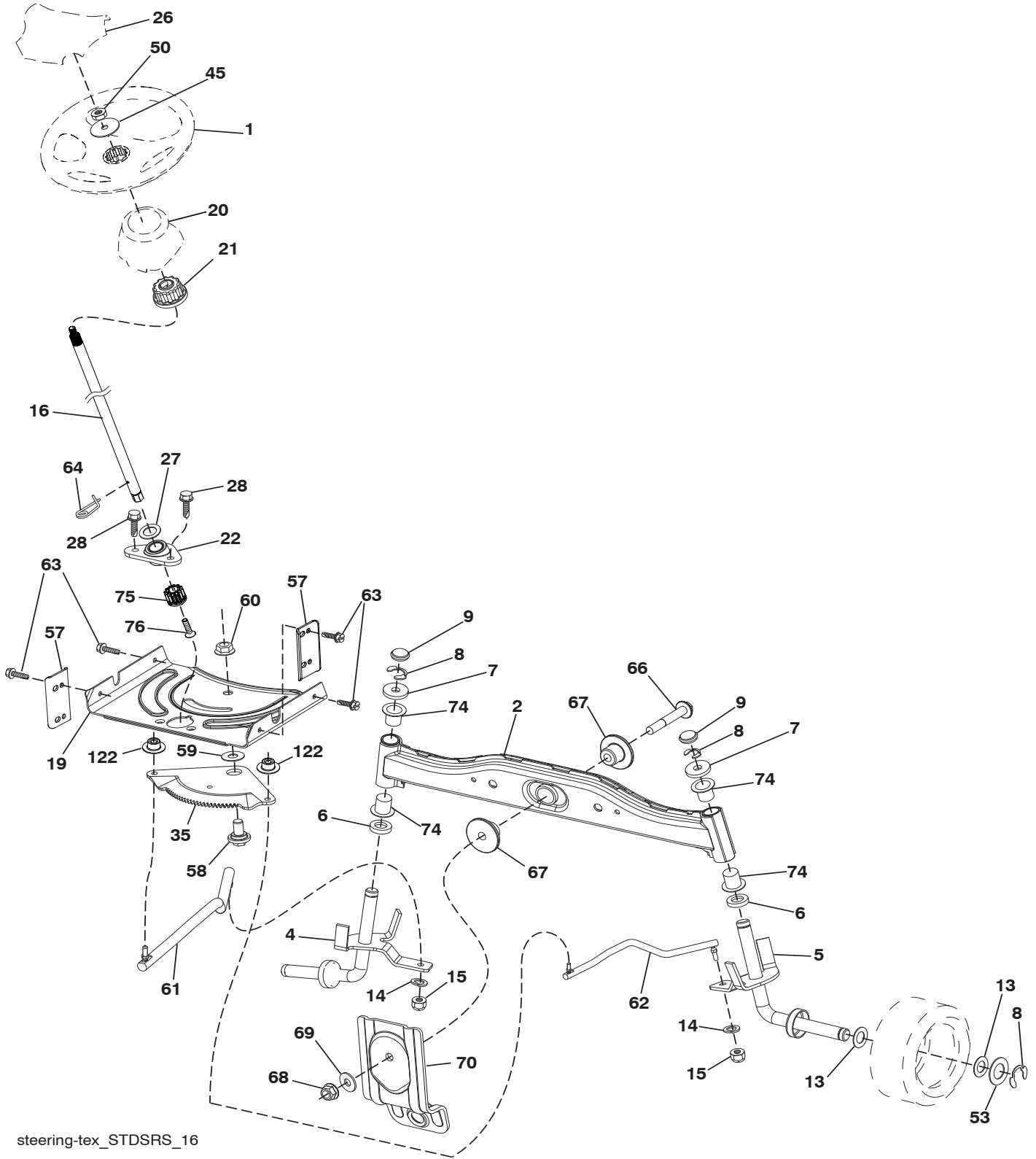
For engine service and replacement parts, call the toll free number for your engine manufacturer listed below:

Briggs & Stratton 1-800-233-3723

Engine Power Rating Information

The gross power rating for individual gas engine models is labeled in accordance with SAE (Society of Automotive Engineers) code J1940 (Small Engine Power & Torque Rating Procedure), and rating performance has been obtained and corrected in accordance with SAE J1995 (Revision 2002-05). Torque values are derived at 3060 RPM; horsepower values are derived at 3600 RPM. Actual gross engine power will be lower and is affected by, among other things, ambient operating conditions and engine-to-engine variability. Given both the wide array of products on which engines are placed and the variety of environmental issues applicable to operating the equipment, the gas engine will not develop the rated gross power when used in a given piece of power equipment (actual "on-site" or net power). This difference is due to a variety of factors including, but not limited to, accessories (air cleaner, exhaust, charging, cooling, carburetor, fuel pump, etc.), application limitations, ambient operating conditions (temperature, humidity, altitude), and engine-to-engine variability. Due to manufacturing and capacity limitations, Briggs & Stratton may substitute an engine of higher rated power for this Series engine.

TRACTOR - MODEL NO. PP20VA46 (96046007900), PRODUCT NO. 960 46 00-79
STEERING ASSEMBLY



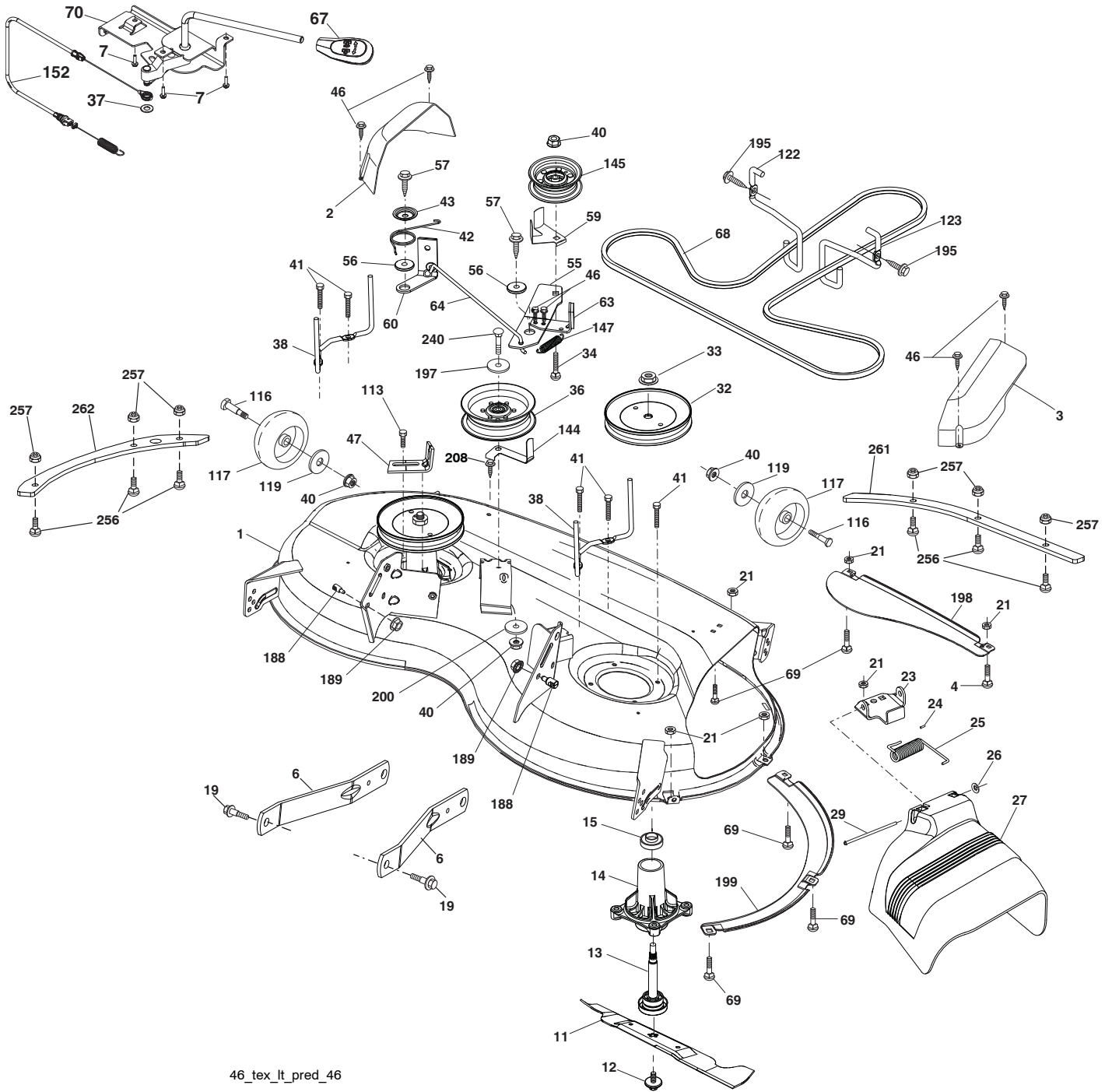
steering-tex_STDSRS_16

**TRACTOR - MODEL NO. PP20VA46 (96046007900), PRODUCT NO. 960 46 00-79
STEERING ASSEMBLY**

KEY NO.	PART NO.	DESCRIPTION
1	532 42 45-51	Wheel, Steering
2	532 41 81-68	Axle Asm., Front
4	532 40 30-87	Spindle Asm., LH
5	532 40 30-88	Spindle Asm., RH
6	532 12 49-31	Bearing, Race Thrust Harden
7	532 12 17-48	Washer 25/32 x 1-5/8 x 16 Ga.
8	812 00 00-29	Ring, Clip #T5304-75
9	532 12 12-32	Cap, Spindle
13	532 12 17-49	Washer 25/32 x 1-1/4 x 16 Ga.
14	539 99 01-18	Washer, 3/8 SLW ZD
15	873 54 06-00	Nut, Crown Lock 3/8-24 unf
16	587 01 60-02	Steering Shaft
19	532 19 47-29	Plate Steering
20	532 42 47-40	Boot, Steering
21	586 84 02-01	Adapter Wheel Steering
22	585 02 98-02	Bearing
26	532 42 45-53	Insert, Wheel Steering
27	819 21 16-16	Washer
28	817 00 06-12	Screw 3/8-16 x 3/4
35	532 19 47-32	Gear, Sector Plate
45	587 01 64-01	Washer 3/8 ID 2-3/8 OD 12 Ga. PLTD
50	873 90 06-00	Nut Lock Flg 3/8-16 unc
53	532 18 89-67	Washer Hardened .793 x 1.637 x .060
57	532 40 74-65	Bracket Upstop
58	532 19 47-47	Bolt Shoulder Sector Pivot CFM
59	532 19 47-48	Washer Thrust Sector Steering
60	873 97 10-00	Nut Flange Lock 5/8-11
61	532 19 47-40	Draglink, LH
62	532 19 47-41	Draglink, RH
63	817 00 05-12	Screw 5/16-18 x 3/4
64	532 19 98-49	Retainer Clip Spring Steering
66	871 02 07-48	Bolt Hex Fghd 7/16-14 x 3 Serr
67	532 19 47-37	Bushing PM Front Axle
68	873 90 07-00	Nut Lock Flange 7/16-14 Gr. 5
69	532 19 91-62	Washer 1.5 x .505 x .118
70	585 33 88-01	Bracket Deck Susp. Front
74	532 12 49-37	Bearing
75	580 68 37-01	Pinion
76	580 68 36-01	Screw Head Sock
122	532 44 49-62	Cap Gear Sector

NOTE: All component dimensions given in U.S. inches
1 inch = 25.4 mm

TRACTOR - MODEL NO. PP20VA46 (96046007900), PRODUCT NO. 960 46 00-79
MOWER DECK



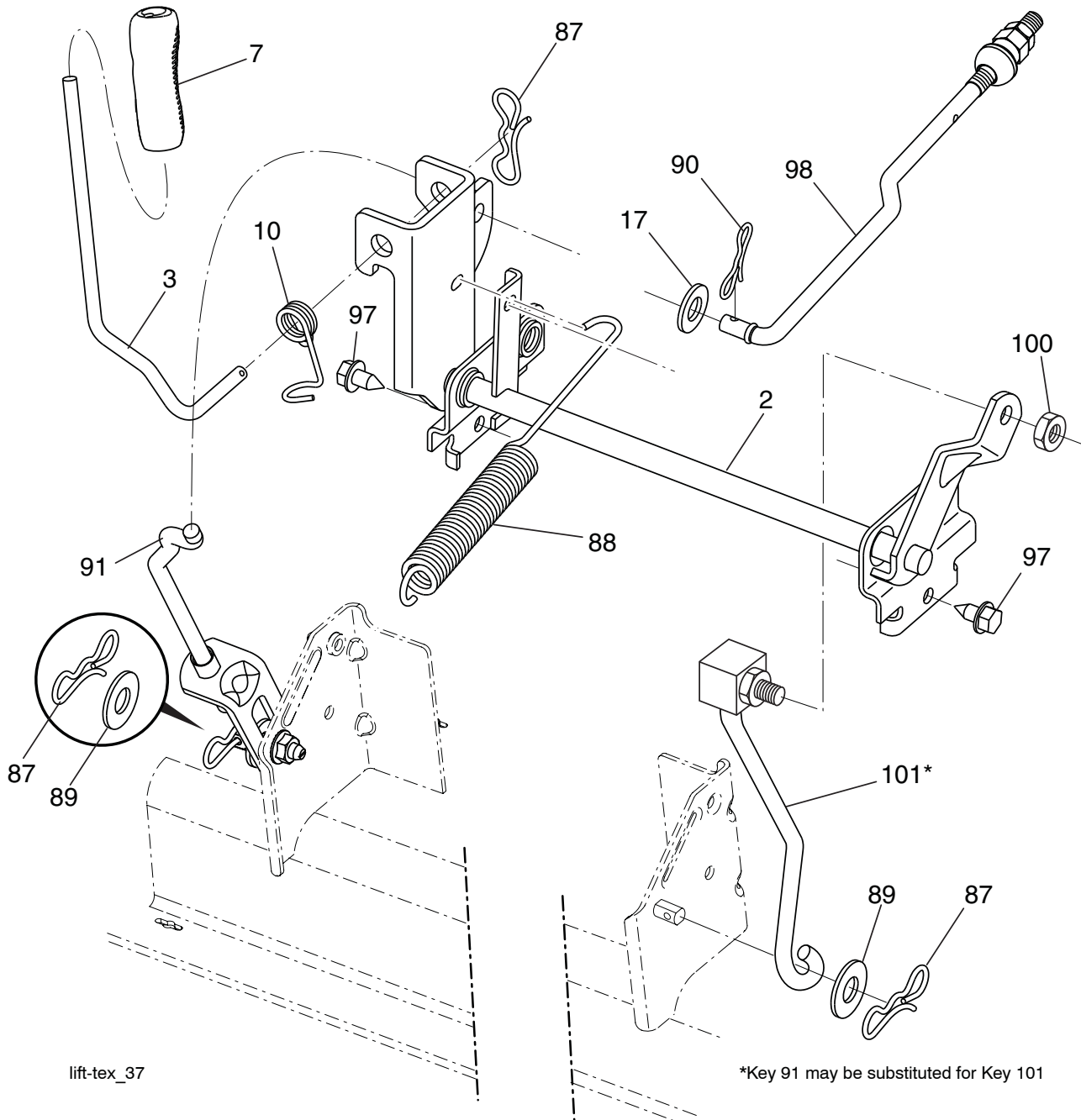
46_tex_lt_pred_46

**TRACTOR - MODEL NO. PP20VA46 (96046007900), PRODUCT NO. 960 46 00-79
MOWER DECK**

KEY NO.	PART NO.	DESCRIPTION	KEY NO.	PART NO.	DESCRIPTION
1	589 53 53-09	Mower Housing	69	872 14 05-05	Bolt
2	532 40 55-07	Cover Mandrel LH	70	532 19 99-72	Clutch Asm. Manual
3	532 40 55-06	Cover Mandrel RH	113	817 00 05-10	Bolt 5/16-18
4	874 76 05-12	Bolt Hex Hd 5/16-18 unc	116	532 12 48-42	Bolt, Shoulder
6	532 19 51-86	Arm Suspension	117	589 52 74-01	Wheel, Gauge
7	532 41 63-58	Screw #10 x 0.750	119	819 12 14-14	Washer 3/8 x 7/8 x 14 Ga.
11	532 40 53-80	Blade	122	532 19 72-58	Keeper Belt Engine LH
12	584 30 93-01	Screw Sems 7/16-20 x 1 Hx Hd	123	532 19 72-59	Keeper Belt Engine RH
13	587 25 65-01	Shaft Assembly, Mandrel	144	532 19 92-04	Keeper Belt Mower
14	532 18 72-81	Housing, Mandrel	145	532 19 31-97	Pulley, Idler, Primary
15	585 32 39-01	Bearing, Ball, Mandrel	147	532 40 18-72	Spring Mower Deck
19	532 19 65-39	Bolt, Shoulder	152	584 24 35-01	Cable Clutch Manual
21	873 68 05-00	Nut, Crownlock 5/16-18 unc	188	532 19 51-61	Stud Fastener
23	532 19 25-57	Bracket, Deflector	189	873 90 05-00	Nut Lock Hex Flange
24	532 10 53-04	Cap, Sleeve	195	817 00 06-12	Screw 3/8-16 x 3/4
25	532 19 70-26	Spring, Torsion, Deflector	197	819 13 13-12	Washer 13/32 x 13/16 x 12 Ga.
26	532 11 04-52	Nut, Push	198	532 40 31-49	Baffle Center Front
27	532 40 53-57	Shield, Deflector	199	532 40 31-50	Baffle Front RH
29	532 13 14-91	Rod, Hinge	200	532 41 35-24	Washer 13/32 x 1 x 1/2 x 11 Ga.
32	532 19 74-73	Pulley, Mandrel	208	817 67 06-08	Screw Thdrol 3/8-16 x 1/2
33	532 40 02-34	Nut, Toplock, Flanged	240	874 52 06-36	Bolt Fin Hex 3/8-16 x 2-1/4 Gr. 5
34	872 11 06-12	Bolt Carr Sh. 3/8-16 x 1-1/2 Gr. 5	256	539 10 98-00	Carriage Bolt 1/4-20 x Gr. 5
36	532 19 73-79	Pulley Idler	257	873 90 04-00	Nut Hex Flg 1/4-20 unc
37	819 13 13-16	Washer 13/32 x 13/16 x 16 Ga.	261	589 48 18-05	Plate Reinforcement Front
38	532 43 25-20	Keeper Belt Mower	262	589 48 20-05	Plate Reinforcement Side
40	873 90 06-00	Nut, Lock Flg. 3/8-16 unc	--	587 25 33-01	Mandrel Assembly (Includes housing (key# 14), shaft assembly (key# 13), bearing (key# 15) and nut (key# 33) only-pulley/washer and blade bolt/washer not included.)
41	584 95 39-01	Bolt Hex Wsh Hd 3/13-18 x 1.19	--	501 65 35-01	Replacement Mower, Complete
42	532 19 84-10	Spring Torsion Brake			
43	532 19 72-56	Spring Torsion Retainer			
46	532 13 77-29	Screw 1/4-20 x 5/8			
47	532 19 72-50	Clutch Cable			
55	532 19 72-49	Arm, Idler			
56	532 19 90-92	Spacer, Retainer			
57	817 00 06-16	Screw 3/8-16 x 1			
59	532 14 10-43	Guard, Tuv Idler			
60	532 19 94-71	Arm Brake Mower			
63	532 19 94-77	Arm Brake Mower			
64	532 40 51-38	Linkage Asm. Brake			
67	532 40 30-12	Handle Clutch Cable			
68	532 40 51-43	Belt, Drive			

NOTE: All component dimensions given in U.S. inches
1 inch = 25.4 mm

TRACTOR - MODEL NO. PP20VA46 (96046007900), PRODUCT NO. 960 46 00-79
MOWER LIFT

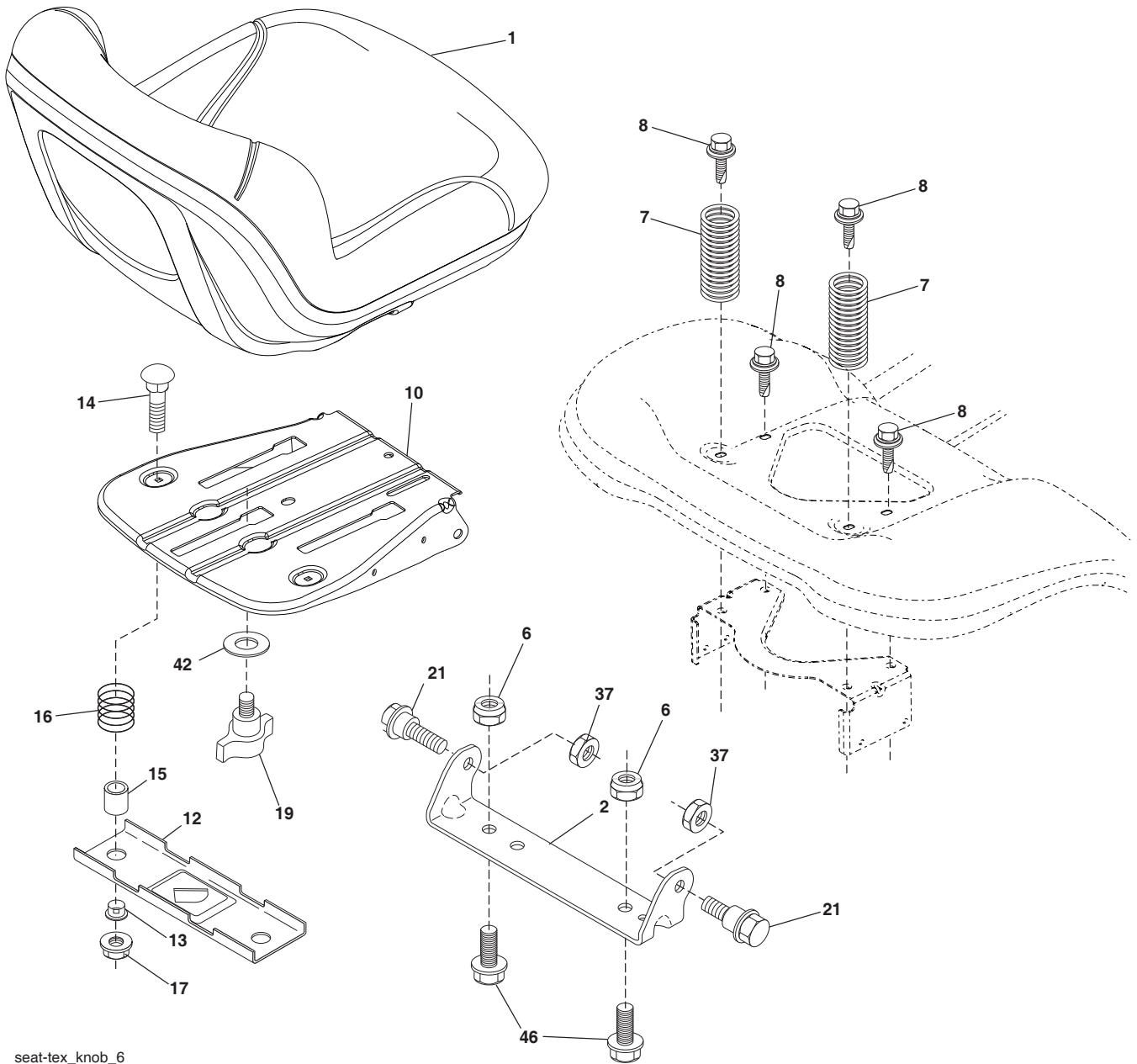


KEY NO.	PART NO.	DESCRIPTION
2	532 42 20-27	Shaft Asm., Cross Lift
3	532 19 52-31	Lever Asm., Lift RH
7	580 96 23-01	Grip, Lever
10	532 19 63-14	Spring Torsion
17	819 13 13-12	Washer 13/32 x 13/16 x 12 Ga.
87	532 19 42-09	Pin Cotter 7/16 Bow Tie Lock
88	532 41 07-10	Spring Lift Assist
89	819 19 19-12	Washer Clear Zinc
90	532 19 42-08	Pin Cotter 5/16 Bow Tie Lock

KEY NO.	PART NO.	DESCRIPTION
91	532 19 79-84	Link Lift Susp Mower Rear
97	817 00 06-12	Screw 3/8-16 x .75 Smgml Tap/R.Z
98	532 42 05-25	Link Lift Susp. Front Mower
100	873 93 06-00	Nut Centerlock 3/8-16
101	581 50 65-01	Link Asm. Fixed

NOTE: All component dimensions given in U.S. inches
 1 inch = 25.4 mm

**TRACTOR - MODEL NO. PP20VA46 (96046007900), PRODUCT NO. 960 46 00-79
SEAT ASSEMBLY**



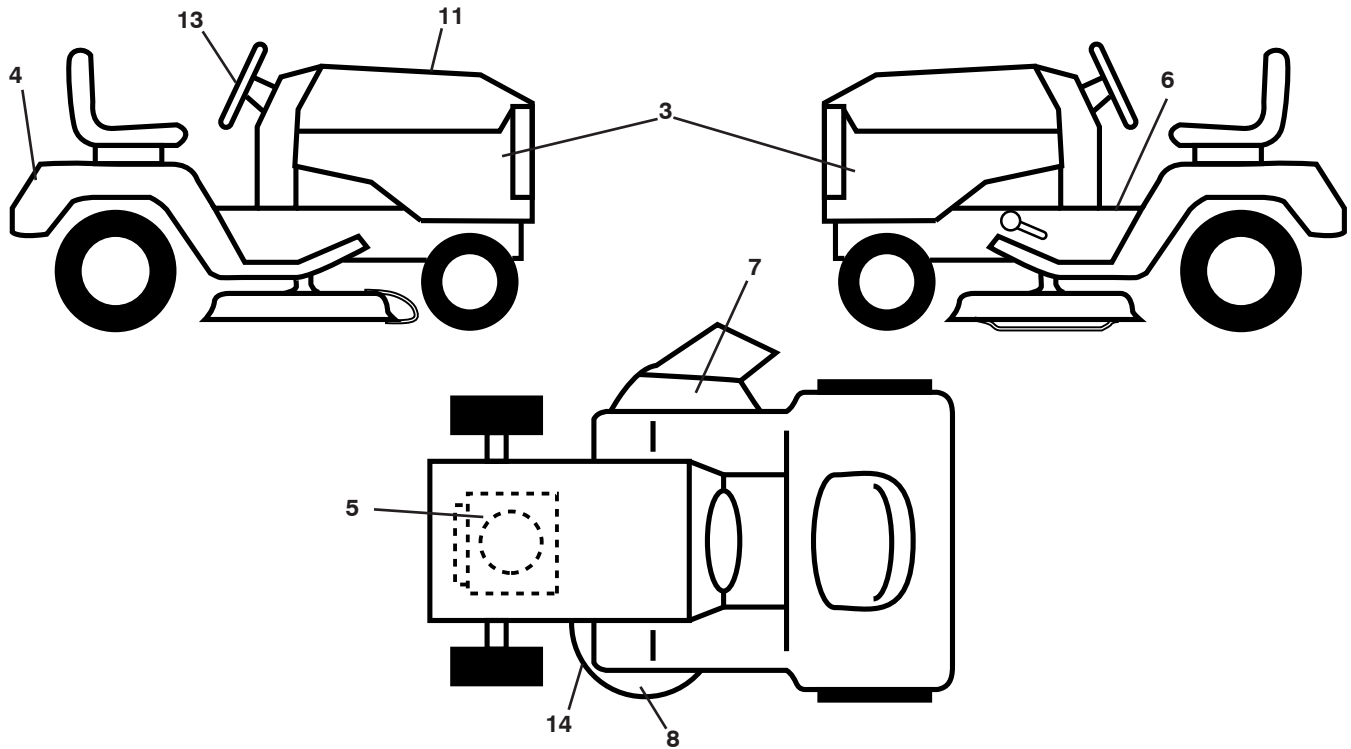
seat-tex_knob_6

KEY NO.	PART NO.	DESCRIPTION
1	532 19 75-14	Seat
2	532 18 01-66	Bracket Pivot Fender
6	873 80 06-00	Nut, Lock w/Ins. 3/8-16 unc
7	587 61 33-01	Spring, Seat Cprsn
8	532 17 18-77	Bolt 5/16-18 unc x 3/4 w/Sems
10	532 44 18-05	Pan, Seat
12	532 19 93-70	Bracket Mounting Seat
13	532 12 12-48	Bushing Snap
14	872 05 04-12	Bolt 1/4-20 x 1-1/2
15	532 13 43-00	Spacer Split
16	532 12 37-40	Spring

KEY NO.	PART NO.	DESCRIPTION
17	532 12 39-76	Nut Lock 1/4
19	532 19 93-72	Knob Seat
21	587 90 78-01	Bolt, Shoulder 5/16-18 x 5/8
37	873 80 05-00	Nut, Lock 5/16-18 unc
42	532 19 93-71	Washer
46	588 09 04-01	Bolt 3/8 - 16 x 1; 1.25 OD

NOTE: All component dimensions given in U.S. inches
1 inch = 25.4 mm

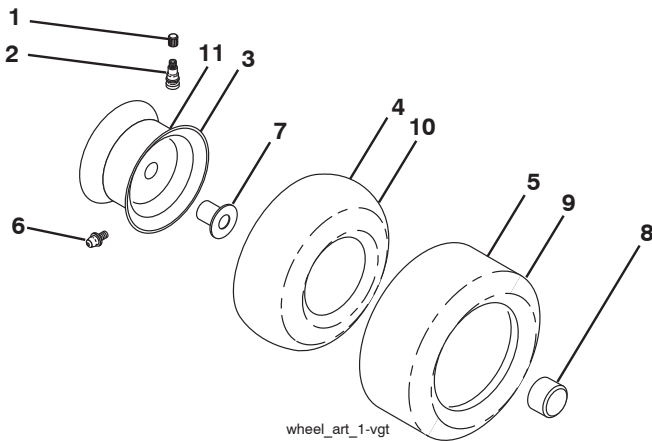
**TRACTOR - MODEL NO. PP20VA46 (96046007900), PRODUCT NO. 960 46 00-79
DECALS**



KEY PART NO.	PART NO.	DESCRIPTION
3	501 29 95-01	Decal, Side Panel
4	582 67 73-01	Decal, Fender
5	585 55 68-01	Decal, Eng H.P.
6	581 57 89-01	Decal, Fender Warning
7	584 90 46-01	Decal, Deflect. Warning
8	587 71 20-01	Decal, Warranty Deck
11	581 59 33-01	Decal, Replacement
13	582 67 71-01	Decal, Steering Wheel
14	581 58 00-01	Decal, Mower Schematic

KEY PART NO.	PART NO.	DESCRIPTION
--	581 72 48-01	Decal, Bypass
--	532 40 95-07	Pad, Footrest, RH
--	532 40 95-05	Pad, Footrest, LH
--	115 78 11-26	Manual, Operator's (English/Spanish)
--	501 51 45-01	Manual, Parts (English/Spanish)
--	115 63 96-46	Manual, Quick Start Guide (English/Spanish)

WHEELS AND TIRES



KEY PART NO.	PART NO.	DESCRIPTION
1	532 05 91-92	Cap, Valve, Tire
2	532 06 51-39	Stem, Valve
3	532 12 51-21	Rim Assembly, Front
4	532 05 99-04	Tube, Front
5	532 10 62-22	Tire, Front 15 x 6-6
6	532 12 49-57	Fitting, Grease
7	532 12 49-59	Bearing, Flange
8	532 19 32-68	Cap, Axle (Front Wheel Only)
9	532 13 84-68	Tire, Rear 20 x 8-8
10	532 12 49-26	Tube, Rear
11	532 12 51-22	Rim Assembly, Rear
--	532 14 43-34	Sealant, Tire (10 oz. Tube)

NOTE: All component dimensions given in U.S. inches
1 inch = 25.4 mm

SERVICE NOTES

POULANPRO®

PARTS AND SERVICE

This product has been expertly engineered and carefully manufactured to rigid quality standards. As with all mechanical products, some adjustments or part replacement may be necessary during the life of your unit.

Support / Help

If you require assistance or have questions concerning the application, operation, maintenance or parts for your product:

- Visit our website: www.poulanpro.com
- Call Us Toll Free: 1-800-487-5951
- For replacement parts, have available the following information:
 - a. Model Number / Manufacturer's I.D. Number
 - b. Description of part.

NOTE: HOP provides parts and service through its authorized distributors and dealers; therefore, all requests for parts and service should be directed to your local dealer(s). The philosophy of HOP is to continually improve all of its products. If the operating characteristics or the appearance of your product differs from those described in this Manual, please contact your local dealer for updated information and assistance.

POULANPRO®

PARTES Y SERVICIOS

Este producto ha sido diseñado por expertos y fabricado con cuidado según estrictas normas de calidad. Como con todos los productos mecánicos, pueden requerirse algunos ajustes o el cambio de algunas piezas durante la vida útil de la unidad.

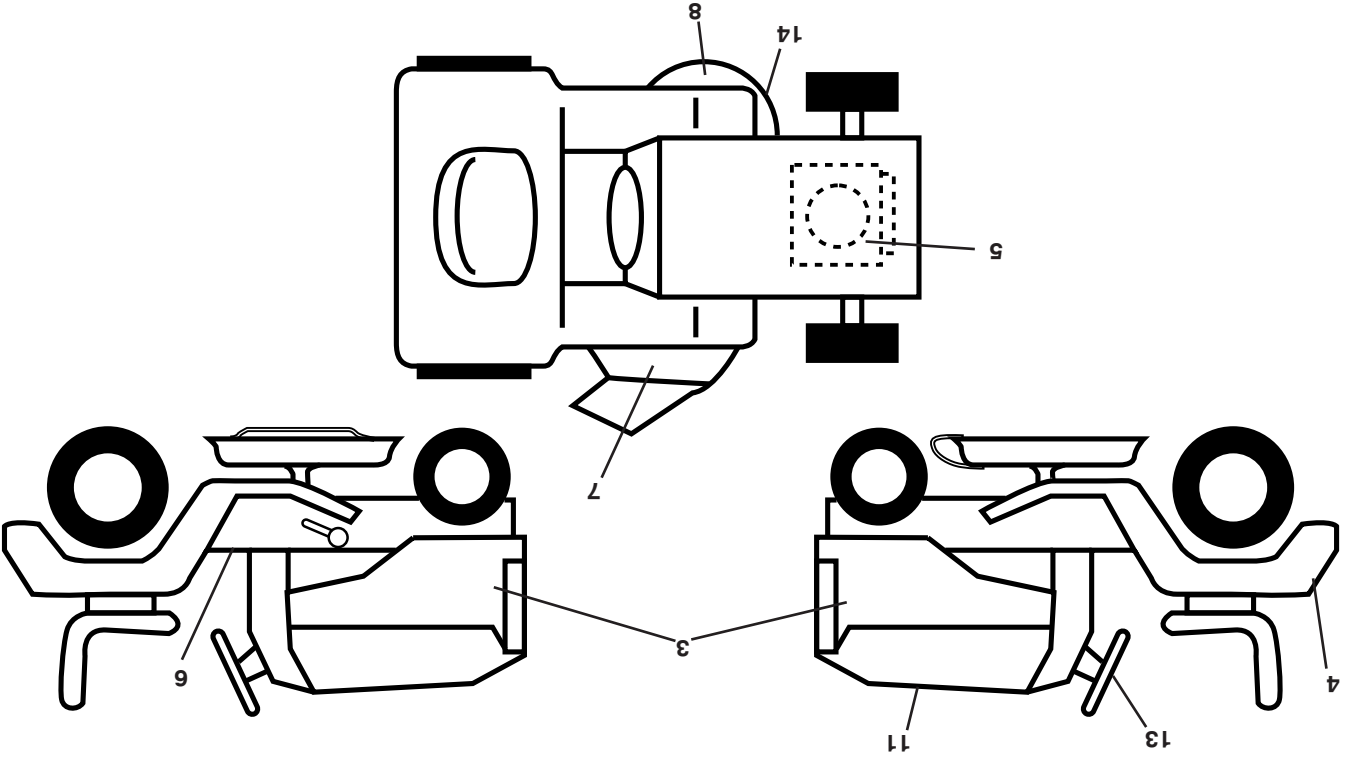
Soporte / Ayuda

Si necesita asistencia o tiene alguna pregunta acerca de la aplicación, operación, mantenimiento o piezas de su producto:

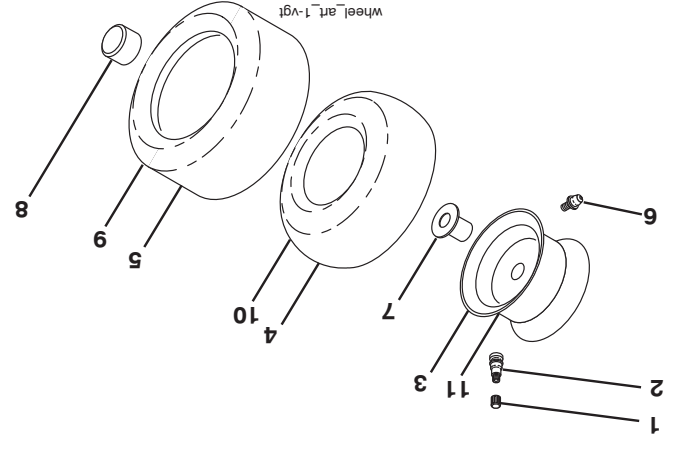
- Visite nuestro sitio web: www.poulanpro.com
- Llámenos de manera gratuita al: 1-800-487-5951
- Para obtener repuestos, tenga preparada la siguiente información:
 - a. Número de modelo / Número de I.D. del fabricante
 - b. Descripción de la pieza.

NOTA:

HOP ofrece piezas y servicio a través de sus distribuidores y concesionarios autorizados; por lo tanto, todas las solicitudes de piezas y servicio deben dirigirse a su concesionario local. Es la filosofía de HOP mejorar permanentemente todos sus productos. Si las características operativas o el aspecto de su producto difiere de los descritos en este Manual, contacte a su concesionario local para solicitar información actualizada y asistencia.



WHEELS AND TIRES



CÓDIGO PIEZA	NO. NO.	DESCRIPCIÓN
501 29 95-01	3	Calcomanía para el panel lateral
582 67 73-01	4	Calcomanía para el guardabarros
585 55 68-01	5	Calcomanía de motor C.V.
581 57 89-01	6	Calcomanía advertencia
584 90 46-01	7	Calcomanía advertencia
587 71 20-01	8	Calcomanía garantía
581 59 33-01	11	Calcomanía, reemplazo
582 67 71-01	13	Calcomanía de dirección

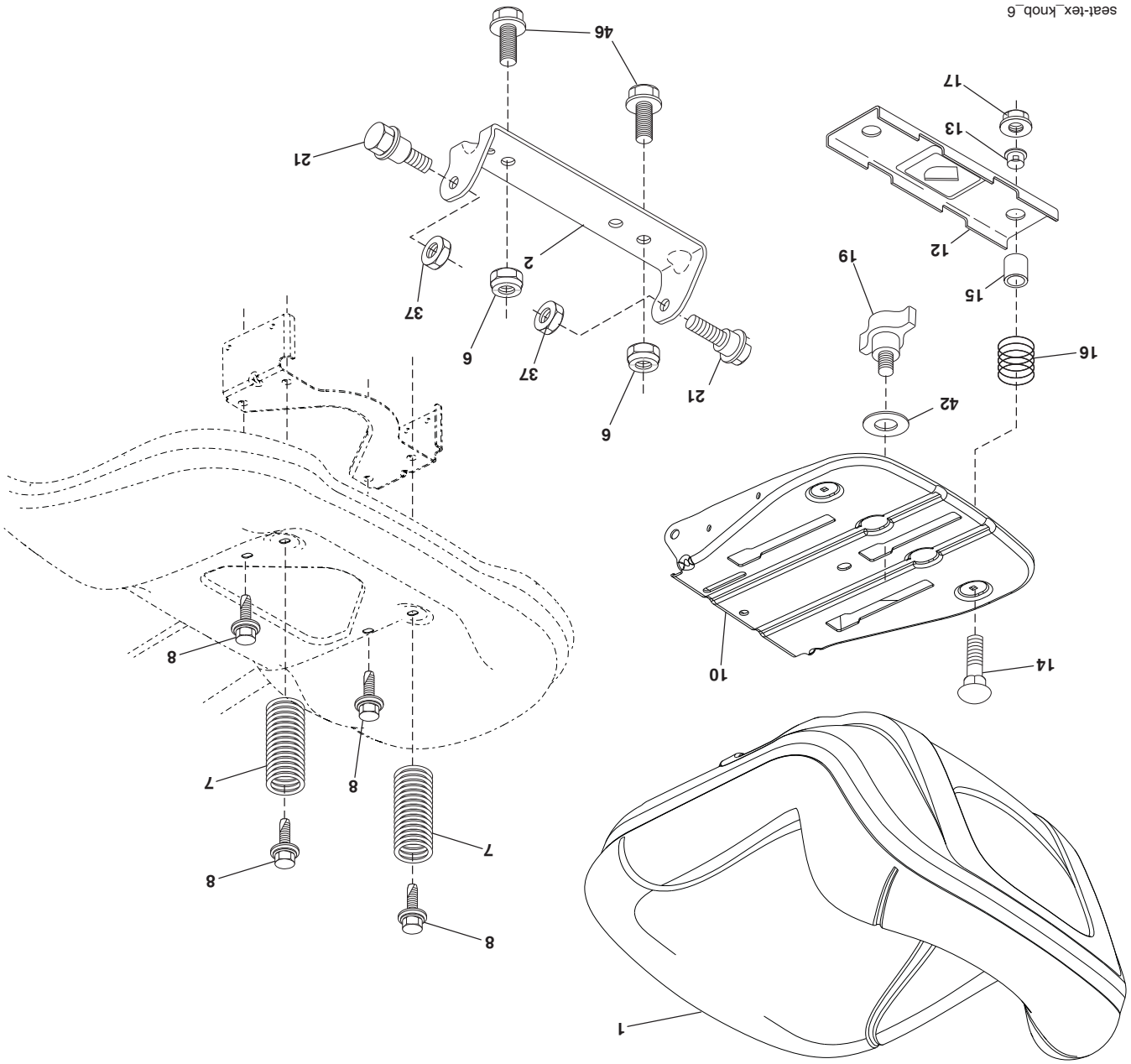
CÓDIGO PIEZA	NO. NO.	DESCRIPCIÓN
581 58 00-01	14	Calcomanía del diagrama de la cortadora de césped
581 72 48-01	--	Calcomanía
532 40 95-07	--	Forro del pedale (LD)
532 40 95-05	--	Forro del apoyo para los pies (LI)
115 78 11-26	--	Manual del operador (Inglés/Español)
501 51 45-01	--	Manual de piezas (Inglés/Español)
115 63 96-46	--	Guía de inicio rápido (Inglés/Español)

CÓDIGO PIEZA	NO. NO.	DESCRIPCIÓN
532 05 91-92	1	Tapa de la válvula del neumático
532 06 51-39	2	Vástago de la válvula
532 12 51-21	3	Ensamble de las llantas delanteras
532 05 99-04	4	Cámara delantera
532 10 62-22	5	Neumático delantero 15 x 6-6
532 12 49-57	6	Accesorio para engrasar
532 12 49-59	7	Rodamiento de la brida
532 19 32-68	8	Tapa del eje
532 13 84-68	9	Neumático trasero 20 x 8-8
532 12 49-26	10	Cámara trasera
532 12 51-22	11	Ensamble trasero de la llanta
532 14 43-34	--	Sellador para neumáticos (tubo de 10 onzas [283 gr])

NOTA: Las dimensiones de todos los componentes están expresadas en pulgadas americanas. 1 pulgada = 25,4 mm

TRACTOR - MODELO NO. PP20VA46 (96046007900), PRODUCTO NO. 960 46 00-79

ENSAMBLE DEL ASIENTO



seat-tex_knob_6

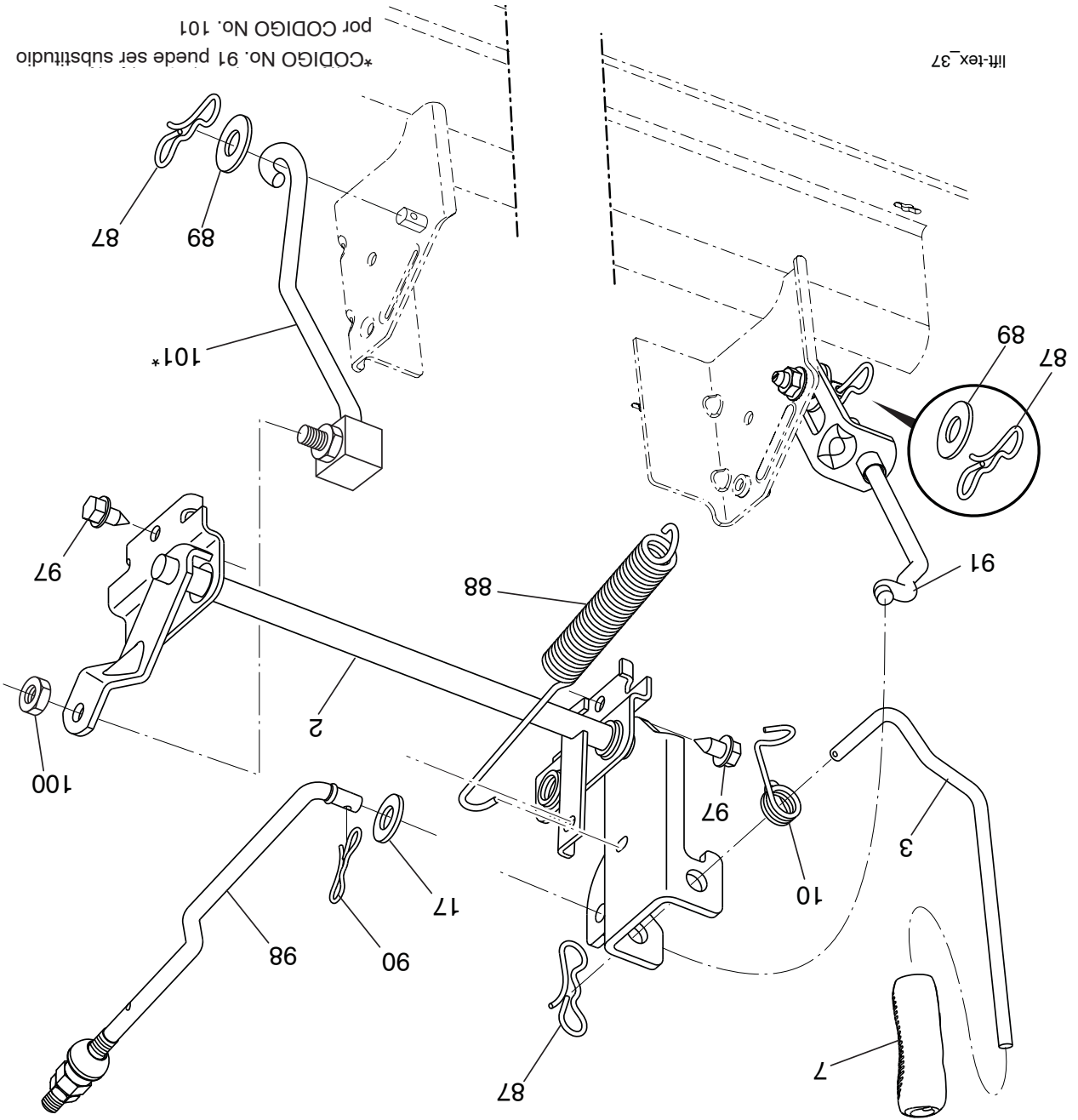
CÓDIGO	PIEZA	NO.	DESCRIPCIÓN
1	Asiento	532 19 75-14	
2	Soporte de Guardabarros	532 18 01-66	
6	Tuerca 3/8-16 unc	873 80 06-00	
7	Resorte del asiento	587 61 33-01	
8	Perno 5/16-18 unc x 3/4	532 17 18-77	
10	Bandeja del asiento	532 44 18-05	
12	Soporte	532 19 93-70	
13	Buje	532 12 12-48	
14	Perno 1/4-20 x 1-1/2	872 05 04-12	
15	Separador	532 13 43-00	
16	Resorte para trabar el asiento	532 12 37-40	
17	Tuerca 1/4	532 12 39-76	

CÓDIGO	PIEZA	NO.	DESCRIPCIÓN
19	Perilla de asiento	532 19 93-72	
21	Perno 5/16-18 x 5/8	587 90 78-01	
37	Tuerca 5/16-18 unc	873 80 05-00	
42	Arandela	532 19 93-71	
46	Perno 3/8-16 x 1; 1.25 OD	588 09 04-01	

NOTA: Las dimensiones de todos los componentes están expresadas en pulgadas = 25,4 mm

TRACTOR - MODELO NO. PP20VA46 (96046007900), PRODUCTO NO. 960 46 00-79

ELEVACIÓN DE LA CORTADORA DE CÉSPED



*CÓDIGO No. 91 puede ser substituido por CÓDIGO No. 101

CÓDIGO PIEZA NO.	DESCRIPCIÓN	CÓDIGO PIEZA NO.	DESCRIPCIÓN
2	532 42 20-27	Ensamble del eje de la elevación	Ensamble del eje de la elevación
3	532 19 52-31	Ensamble de la palanca de elevación	Ensamble de la palanca de elevación
7	580 96 23-01	Mango de la palanca	Mango de la palanca
10	532 19 63-14	Resorte de torsión	Resorte de torsión
17	819 13 13-12	Arandela 13/32 x 13/16 x 12 grado	Arandela 13/32 x 13/16 x 12 grado
87	532 19 42-09	Pasador de chaveta de 7/16 con	Pasador de chaveta de 7/16 con
88	532 41 07-10	Resorte de ayuda de la elevación	Resorte de ayuda de la elevación
89	819 19 19-12	Arandela de zinc transparente	Arandela de zinc transparente
90	532 19 42-08	Pasador de chaveta de 5/16 con	Pasador de chaveta de 5/16 con
			bloqueo en forma de mariposa
			bloqueo en forma de mariposa
91	532 19 79-84	Ensamble del acoplamiento Elevación	Ensamble del acoplamiento Elevación
97	817 00 06-12	Tornillo THDR 3/8-16 x 3/4	Tornillo THDR 3/8-16 x 3/4
98	532 42 05-25	Ensamble del acoplamiento Elevación	Ensamble del acoplamiento Elevación
100	873 93 06-00	Tuerca de presión central de 3/8-16	Tuerca de presión central de 3/8-16
101	581 50 65-01	Ensamble del acoplamiento Elevación	Ensamble del acoplamiento Elevación

NOTA: Las dimensiones de todos los componentes están expresadas en pulgadas americanas. 1 pulgada = 25,4 mm

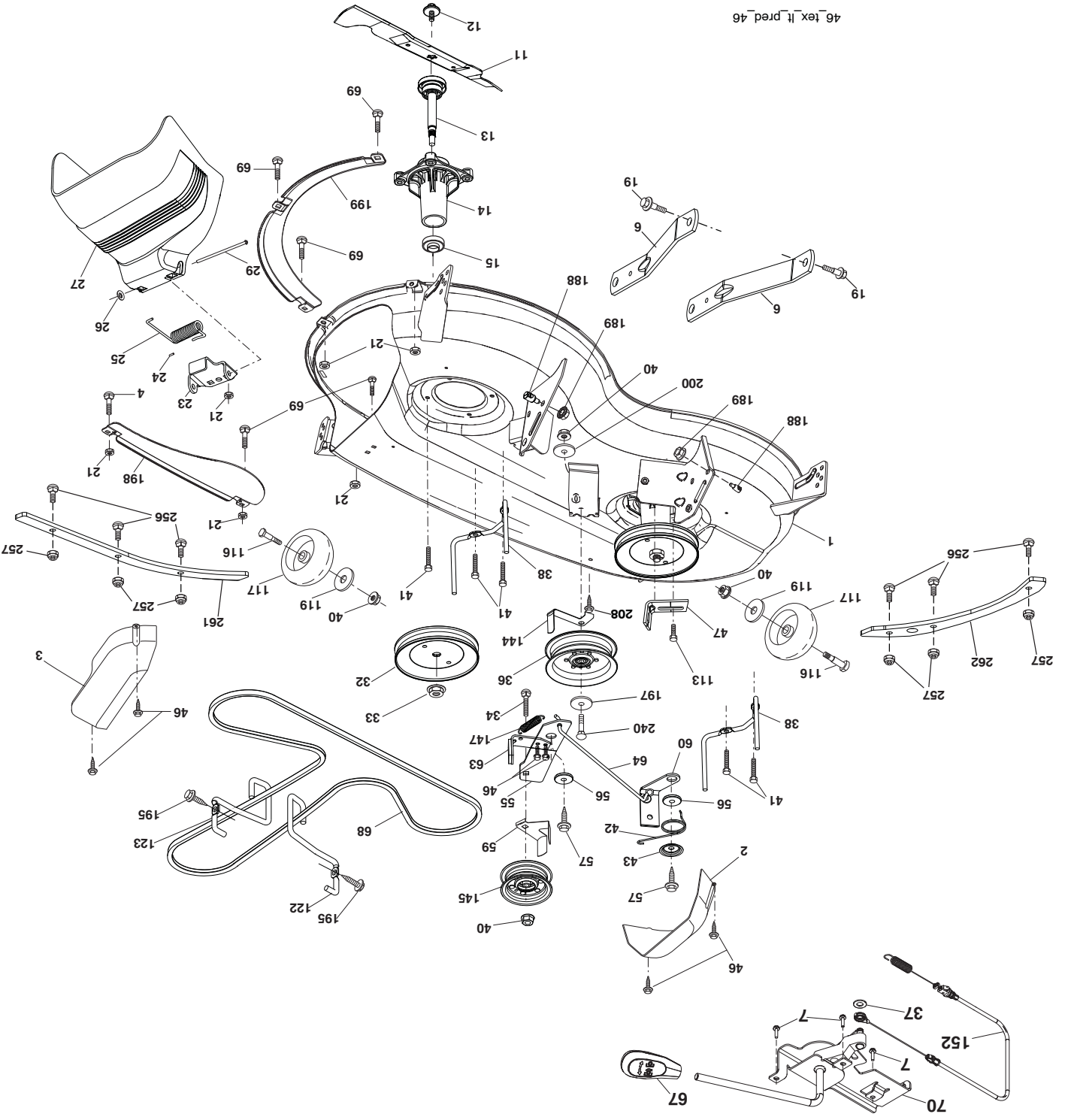
TRACTOR - MODELO NO. PP20VA46 (96046007900), PRODUCTO NO. 960 46 00-79 PLATAFORMA DE LA CORTADORA DE CÉSPED

CÓDIGO	PIEZA	NO.	DESCRIPCIÓN	CÓDIGO	PIEZA	NO.	DESCRIPCIÓN
1	589 53 53-09		Carcasa de la cortadora de césped	116	532 12 48-42		Perno de tope
2	532 40 55-07		Cubierta izquierda del mandril	117	589 52 74-01		Calibrador de la rueda
3	532 40 55-06		Cubierta derecha del mandril	119	819 12 14-14		Arandela de 3/8 x 7/8 x calibre 14
4	874 76 05-12		Perno 5/16-18 unc	122	532 19 72-58		Sujetador izquierdo de la correa
6	532 19 51-86		Brzo de la suspensión	123	532 19 72-59		Sujetador derecho de la correa del motor
7	532 41 63-58		Tornillo No.10 x 0.750	144	532 19 92-04		Sujetador de la correa
11	532 40 53-80		Cuchilla	145	532 19 31-97		Polea loca
12	584 30 93-01		Tornillo 7/16-20 x 1	147	532 40 18-72		Retorno del resorte
13	587 25 65-01		Ensamble del eje del mandril	152	584 24 35-01		Cable de embrague manual con resorte
14	532 18 72-81		Carcasa del mandril	188	532 19 51-61		Sujetador del travesaño
15	585 32 39-01		Rodamiento de bolas del mandril	189	873 90 05-00		Tuerca de presión hexagonal con brida
19	532 19 65-39		Perno de tope	195	817 00 06-12		Tornillo de 3/8-16 x 3/4
21	873 68 05-00		Tuerca corona de presión de 5/16-18 unc	197	819 13 13-12		Arandela de 13/32 x 13/16 x calibre 12
23	532 19 25-57		SopORTE del deflector	198	532 40 31-49		Deflector delantero central
24	532 10 53-04		Tapa de la manga	199	532 40 31-50		Deflector delantero derecho
25	532 19 70-26		Resorte de torsión del deflector	200	532 41 35-24		Arandela de 13/32 x 1 x 1/2 x calibre 11
26	532 11 04-52		Tuerca de presión	208	817 67 06-08		Tornillo 3/8-16 x 1/2
27	532 40 53-57		Protector del deflector	240	874 52 06-36		Perno de cabeza hexagonal con cuadrado de 3/8-16 x 1-1/2 Gr. 5
29	532 13 14-91		Varilla de la bisagra	256	539 10 98-00		Perno de acarreo, m 1/4-20 x 1 grado 5
32	532 19 74-73		Polea del mandril	257	873 90 04-00		Tuerca 1/4-20
33	532 40 02-34		Tuerca de seguridad con brida	261	589 48 18-05		Placa de refuerzo
34	872 11 06-12		Perno de cabeza de hongo y cuello	262	589 48 20-05		Placa de refuerzo
36	532 19 73-79		Polea loca	262	589 48 20-05		Placa de refuerzo
37	819 13 13-16		Arandela de 13/32 x 13/16 x calibre 16	262	589 48 20-05		Placa de refuerzo
38	532 43 25-20		Sujetador de la correa	262	589 48 20-05		Placa de refuerzo
40	873 90 06-00		Tuerca de presión con brida de 3/8-16 unc	587 25 33-01			Ensamble del Mandril (solo incluye la carcasa (key No. 14), el ensamble del eje (key No. 13), y el rodamiento (key No. 15), y tuerca (key No. 33); no incluye la polea/arandela ni los pernos/arandelas de la cuchilla)
41	584 95 39-01		Perno 313-18 x 1.19	501 65 35-01			Reemplazo de la cortadora de césped, completa
42	532 19 84-10		Resorte de torsión del freno				
43	532 19 72-56		Resorte de torsión de retención				
46	532 13 77-29		Tornillo de 1/4-20 x 5/8				
47	532 19 72-50		Cable de embrague				
55	532 19 72-49		Brzo de la polea				
56	532 19 90-92		Espaciador de retención				
57	817 00 06-16		Tornillo de 3/8-16 x 1				
59	532 14 10-43		Dispositivo de protección de la polea				
60	532 19 94-71		Brzo del freno de la cortadora de césped				
63	532 19 94-77		Brzo del freno de la cortadora de césped				
64	532 40 51-38		Ensamble del varillaje del freno				
67	532 40 30-12		Manija del cable de embrague				
68	532 40 51-43		Correa				
69	872 14 05-05		Perno				
70	532 19 99-72		Ensamble del embrague Manual				
113	817 00 05-10		Perno de 5/16-18				

NOTA: Las dimensiones de todos los componentes están expresadas en pulgadas = 25,4 mm

TRACTOR - MODELO NO. PP20VA46 (96046007900), PRODUCTO NO. 960 46 00-79

PLATAFORMA DE LA CORTADORA DE CESPED



46_tex_lt_pred_46

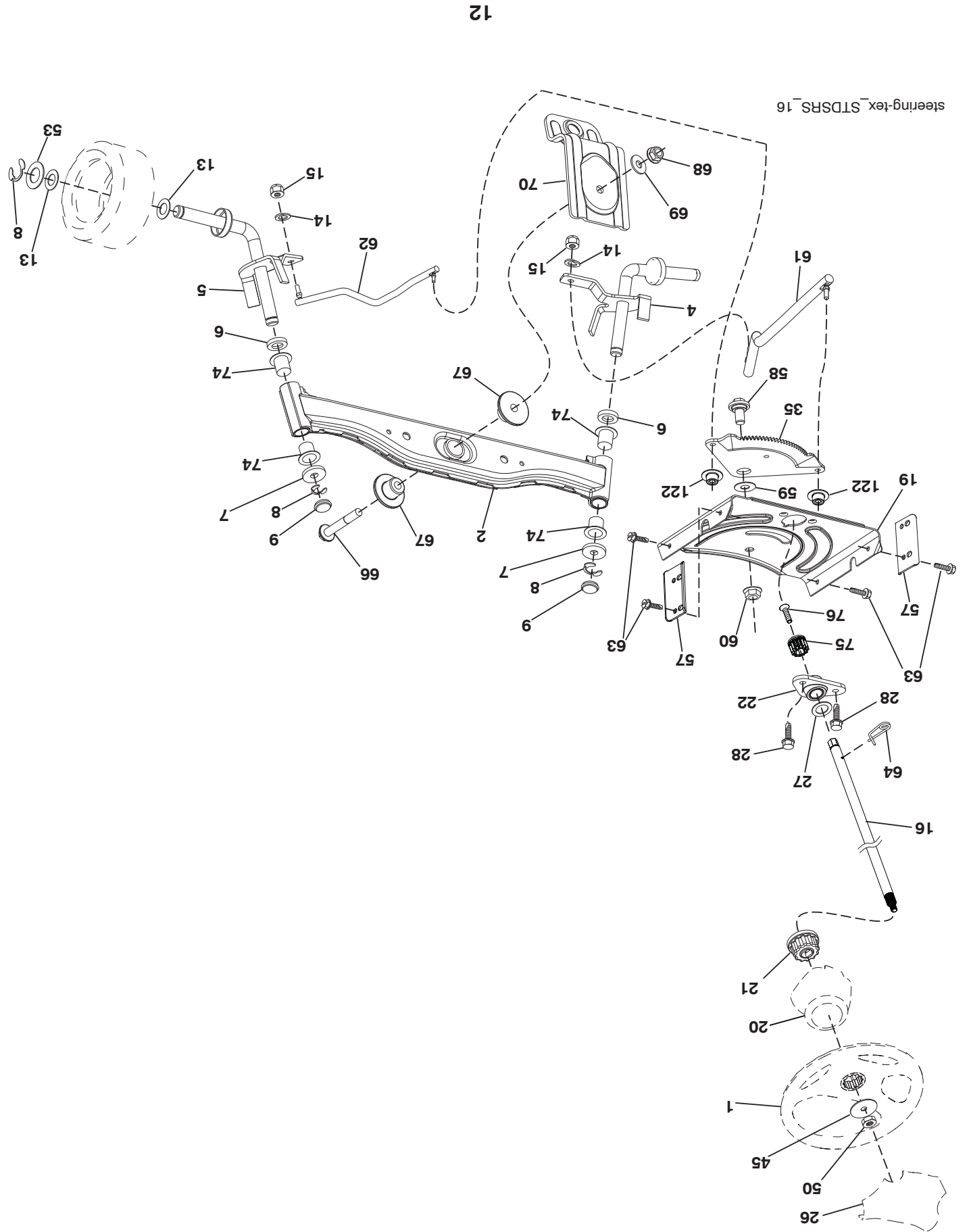
TRACTOR - MODELO NO. PP20VA46 (96046007900), PRODUCTO NO. 960 46 00-79
ENSAMBLE DE LA DIRECCIÓN

CÓDIGO	PIEZA	NO.	DESCRIPCIÓN
1	532 42 45-51		Volante de dirección
2	532 41 81-68		Ensamble del eje delantero
4	532 40 30-87		Ensamble del husillo izquierdo (LI)
5	532 40 30-88		Ensamble del husillo izquierdo (LD)
6	532 12 49-31		Arandela 0.75 x 1.23
7	532 12 17-48		Arandela 25/32 x 1-5/8 x calibre 16
8	812 00 00-29		Abrazadera del aro No. T5304-75
9	532 12 12-32		Tapa del husillo
13	532 12 17-49		Arandela 25/32 x 1-1/4 x calibre 16
14	539 99 01-18		Arandela SLW ZD 3/8
15	873 54 06-00		Tuerca 3/8-24
16	587 01 60-01		Eje de dirección
19	532 19 47-29		Placa de dirección
20	532 42 47-40		Cubierta de la dirección
21	586 84 02-01		Adaptador del volante de dirección
22	585 02 98-02		Soporte
26	532 42 45-53		Inserto del volante de dirección
27	819 21 16-16		Arandela 21/32 x 1 x calibre 16
28	817 00 06-12		Tornillo 3/8-16 x 3/4
35	532 19 47-32		Engranaje del sector de la placa
45	587 01 64-01		Arandela 3/8 x 2-3/8 x calibre 12
50	873 90 06-00		Tuerca 3/8-16 unc
53	532 18 89-67		Arandela .793 x 1.637 x .060
57	532 40 74-65		Topo superior del soporte
58	532 19 47-47		Perno
59	532 19 47-48		Arandela
60	873 97 10-00		Tuerca 5/8-11
61	532 19 47-40		Barra de acoplamiento izquierda
62	532 19 47-41		Barra de acoplamiento derecha
63	817 00 05-12		Tornillo 5/16-18 x 3/4
64	532 19 98-49		Abrazadera de retención del resorte de la dirección
66	871 02 07-48		Perno 7/16-14 x 3
67	532 19 47-37		Buje PM del eje delantero
68	873 90 07-00		Tuerca 7/16-14 Gr. 5
69	532 19 91-62		Arandela 1.5 x .505 x .118
70	585 33 88-01		Soporte
74	532 12 49-37		Rodamiento
75	580 68 37-01		Pinón
76	580 68 36-01		Tornillo
122	532 44 49-62		Tapa

NOTA: Las dimensiones de todos los componentes están expresadas en pulgadas = 25,4 mm

TRACTOR - MODELO NO. PP20VA46 (96046007900), PRODUCTO NO. 960 46 00-79

ENSAMBLE DE LA DIRECCIÓN



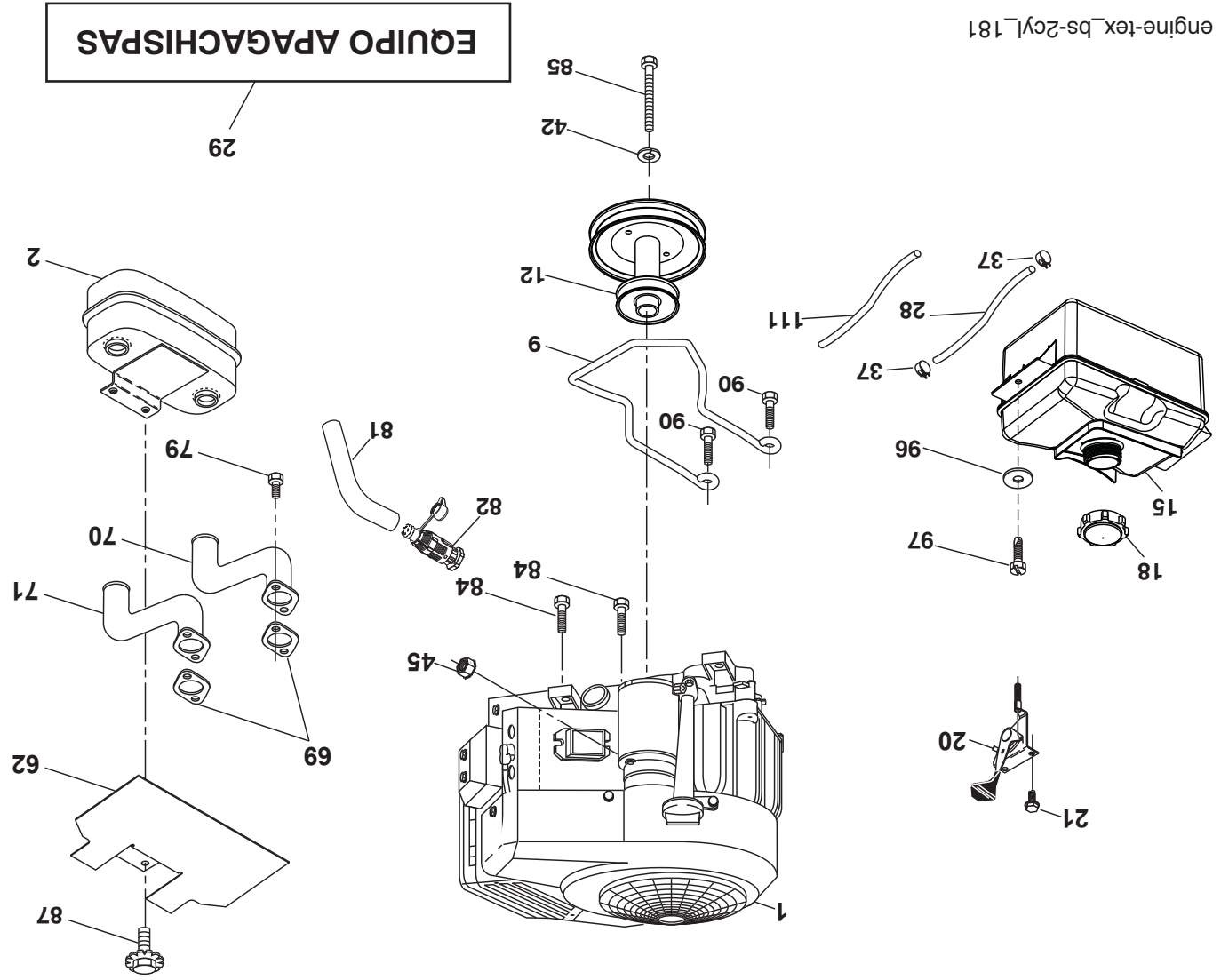
CÓDIGO	PIEZA	NO.	DESCRIPCIÓN
1	---	---	Motor B&S modelo no. 40N87-0004-G1 (587723901) (Haga el pedido de las piezas al fabricante del motor.)
2	589 81 87-01	9	Silenciador
9	582 54 03-02		Ensamble del sujetador de la correa del motor
12	532 40 51-40		Polea del motor
15	532 43 30-04		Tanque de gasolina
18	581 17 61-01		Tapas
20	587 24 25-01		Control de aceleración
21	532 41 63-58		Tornillo de No. 10 x 0.750
28	532 40 11-37		Línea de combustible
29	532 13 71-80		Equipo apagachispas
37	532 12 34-87		Abrazadera de la manguera
42	539 99 02-47		Arandela 7/16 SLW STD
45	873 51 04-00		Nut keys hex 1/4-20 unc
62	532 43 40-17		Silenciador con pantalla térmica
69	532 16 53-91		Junta
70	581 88 11-01		Tubo de escape izquierdo
71	581 88 10-01		Tubo de escape derecho
79	532 18 39-06		Tornillo de 5/16-18 x 1
81	532 14 84-56		Tubo de fácil drenaje de aceite
82	532 42 82-87		Válvula fácil del drenaje del aceite
84	817 06 06-20		Tornillo de 3/8-16 x 1-1/4
85	501 60 65-01		Perno de 7/16-20 x 4 grado 5 1.5
87	532 19 82-39		Perno 5/16-18 unc x 1
90	817 00 06-16		Tornillo de 3/8-16 x 1
96	819 09 14-16		Arandela 9/32 x 7/8 x calibre 16
97	817 67 04-12		Tornillo 1/4-20 x 3/4
111	532 41 41-19		Línea de purge

NOTA: Las dimensiones de todos los componentes están expresadas en pulgadas americanas. 1 pulgada = 25,4 mm

Para el servicio de motor y repuestos, llame el número de llamada gratuita para su fabricante de motor, listo abajo:
Briggs & Stratton 1-800-233-3723

Información de Clasificación de Potencia del Motor

La clasificación de potencia para un modelo de motor a gas en particular se designa de acuerdo al código J1940 de SAE (Sociedad de Ingenieros Automotrices) (Procedimiento de Clasificación de Potencia & Torque del Motor Pequeño), y la clasificación de desempeño ha sido obtenida y corregida de acuerdo con el código J1995 de SAE (Revisión 2002-05). Los valores de torque se obtienen a 3060 RPM; los valores de potencia se obtienen a 3600 RPM. La potencia bruta actual del motor será inferior y está afectada, entre otras cosas, por las condiciones ambientales operativas y la variabilidad de motor a motor. Dado ambos un amplio conjunto de productos en los cuales son puestos nuestros motores, y la variedad de emisiones ambientales aplicables al operar el equipo, el motor a gas no desarrollará la potencia nominal cuando sea usado en una parte del equipo acoplado (potencia real "en el sitio" o potencia neta). Esta diferencia se debe a una variedad de factores que incluyen, pero que no están limitados a, accesorios (filtro de aire, sistema de escape, sistema de carga, sistema de enfriamiento, carburador, bomba de combustible, etc.) limitaciones de la aplicación, condiciones ambientales de operación (temperatura, humedad, altitud), y la variabilidad de motor a motor. Debido a las limitaciones, Briggs & Stratton puede sustituir este motor con clasificación de potencia más alta por esta serie de motor.



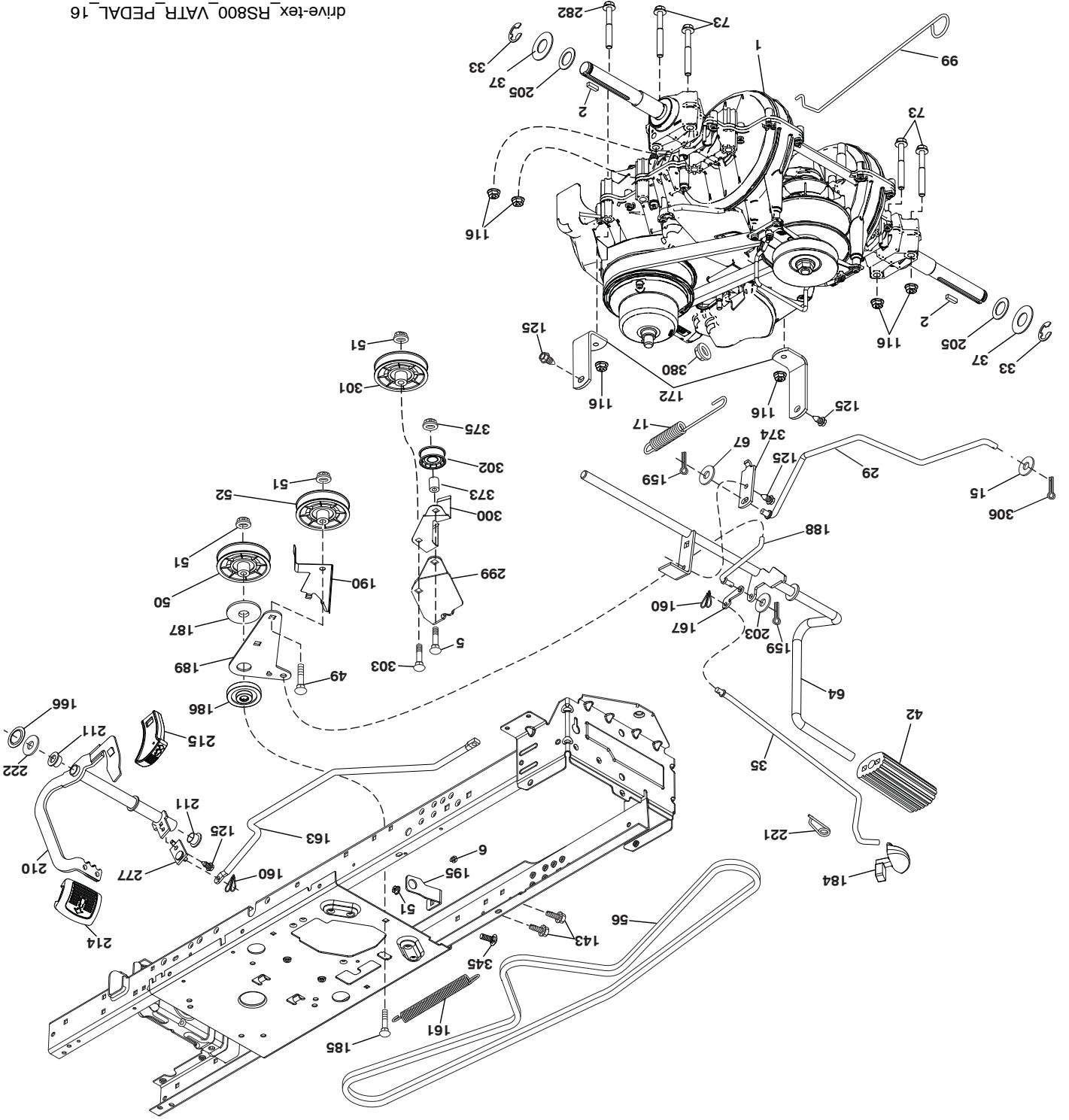
TRACTOR - MODELO NO. PP20VA46 (96046007900), PRODUCTO NO. 960 46 00-79

TRANSMISIÓN

CÓDIGO	PIEZA	DESCRIPCIÓN	CÓDIGO	PIEZA	DESCRIPCIÓN
1	---	Transje. Gentrans VATR SD Pedal (590277501) (Haga el pedido de las piezas al fabricante del transeje.)	188	582 21 70-01	Mecanismo de desplazamiento de la varilla de mando del embrague del largo
2	532 12 35-83	Cuña	189	532 19 43-17	Palanca acodada del mecanismo de desplazamiento
5	874 76 06-36	Perno de HS 3/8-16 unc	190	532 19 43-18	Sujetador de la palanca acodada del mecanismo de desplazamiento
15	819 13 13-16	Arandela de 13/32 x 13/16 x calibre 16	195	581 50 46-01	SopORTE del freno
17	501 48 71-01	Resorte de freno	203	819 11 11-16	Arandela de 11/32 x 11/16 x calibre 16
29	584 82 31-01	Varilla del freno	205	532 12 17-48	Arandela de 25/32 x 1-5/8 x calibre 16
33	812 00 00-01	Aro "E"	210	588 92 10-01	Ensamble del pedal
35	590 60 59-01	Varilla del freno de mano	211	532 12 01-83	Rodamiento de nylon
37	532 18 89-67	Arandela de .793 x 1.637 x 060	214	532 42 12-63	Forro del pedal para avanzar
42	532 12 48-72	Cubierta del pedal	215	532 44 82-54	Forro del pedal para retroceder
49	872 11 06-14	Perno de 3/8-16unc x1-3/4 Gr. 5	221	532 40 31-87	Abrazadera de retención del resorte de la manija
50	532 19 43-27	Polea loca plana	222	879 21 20-10	Arandela de 21/32 x 1-1/4 calibre 10
51	873 90 06-00	Tuerca 3/8-16	277	532 44 85-00	Pedal subconjunto
52	532 19 43-26	Polea loca con ranura en V con un desplazamiento	282	874 49 05-48	Tornillo de 5/16-18 x 3
56	532 19 72-53	Correa de la transmisión	299	532 41 56-83	SopORTE
64	589 67 14-01	Eje del pedal de freno variator	300	532 41 56-81	Polea loca Sujetador
67	582 58 01-01	Arandela de nylon 13/32 x 13/16 x .109	301	532 41 56-80	Polea loca plana
73	874 49 05-44	Perno de 5/16-18 Gr. 5	302	581 42 05-01	Polea loca plana 2.0 Od
99	532 43 59-35	Varilla del con resorte de desviación	303	872 11 06-18	Perno
116	873 90 05-00	Tuerca 5/16-18 unc	306	876 02 04-16	Pasador de chaveta
125	817 00 05-12	Tornillo de 5/16-18 x 3/4	345	872 11 06-06	Perno de 3/8-16 x 1 Gr. 5
143	539 99 08-58	Tornillo de 5/16-18 x 1/2 Tytt	373	581 46 18-01	Separador
159	876 02 04-12	Pasador de chaveta de 1/8 x 3/4	374	581 47 52-01	SopORTE
160	532 16 94-84	Abrazadera de retención	375	873 68 06-00	Tuerca 3/8-16 unc
161	532 10 57-09	Resorte de retorno del embrague 6.75	380	582 47 86-01	Tuerca Nylonk 1/4-20 Gr. G ZY
163	587 84 79-01	Varilla de control del pedal			
166	532 42 91-64	Tuerca de presión .625			
167	532 40 52-57	Pestillo del freno de mano			
172	583 97 42-01	Correa de torsión (LI)/(LD)			
184	587 65 37-01	Manija del freno de mano			
185	872 11 06-22	Perno de 3/8-16 unc x 2-3/4 Gr. 5			
186	532 19 43-21	Espaciador de retención			
187	819 13 32-10	Arandela de 13/32 x 2 x calibre 10			

NOTA: Las dimensiones de todos los componentes están expresadas en pulgadas = 25,4 mm

TRACTOR - MODELO NO. PP20VA46 (96046007900), PRODUCTO NO. 960 46 00-79
TRANSMISIÓN



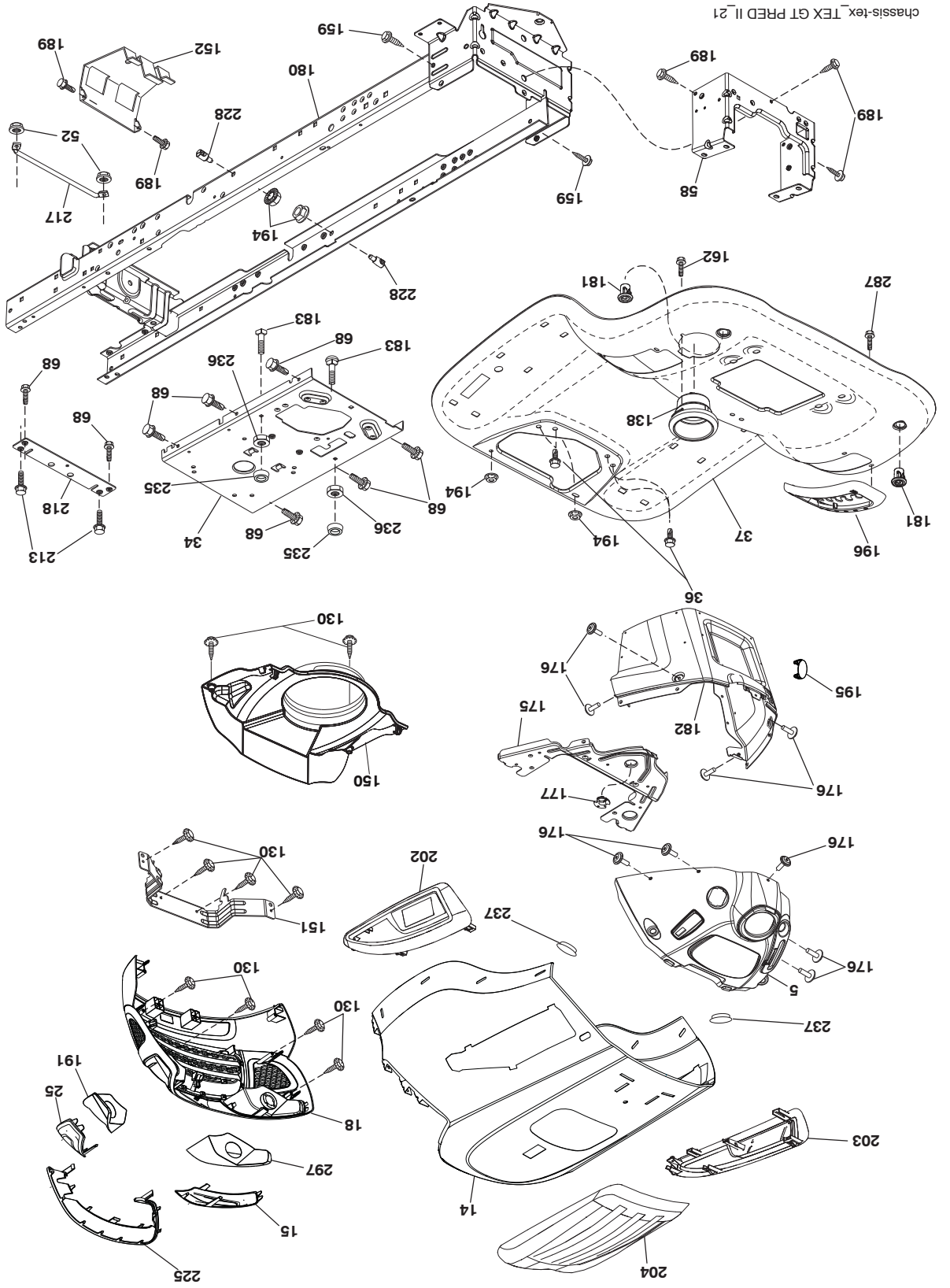
drive-tex_RS800_VATR_PEDAL_16

TRACTOR - MODELO NO. PP20VA46 (96046007900), PRODUCTO NO. 960 46 00-79 CHASIS

CÓDIGO	PIEZA	NO.	DESCRIPCIÓN
5	532 44 18-82	5	Tablero
14	501 12 85-02	14	Capota
15	581 10 31-01	15	Lente izquierdo de la parrilla
18	581 10 29-02	18	Parrilla
25	581 10 30-01	25	Lente derecho de la parrilla
34	580 91 08-01	34	Chapa Motor
36	817 06 05-12	36	Tornillo 5/16-18 x 3/4
37	532 42 07-96	37	Guardabarros
52	873 68 05-00	52	Tuerca 5/16-18
58	532 41 22-80	58	Barra de tracción, superior 2 pieza
68	539 99 08-58	68	Tornillo 5/16-18 x 1/2
130	532 41 63-58	130	Tornillo #10 x 0.750
138	532 40 97-30	138	Portavasos
150	584 86 29-01	150	Cubierta térmica del conducto
151	532 44 54-94	151	Soprote giratoria
152	532 19 95-35	152	Protector contra oscurecimiento
159	817 00 06-12	159	Tornillo 3/8-16 x 3/4
162	532 14 24-32	162	Tornillo 1/4 x 1/2
175	590 60 77-02	175	Travesaño
176	532 40 07-76	176	Tornillo 10-24 x 5/8
177	532 19 52-28	177	Buje
180	532 41 50-63	180	Chasis
181	532 40 47-96	181	Buje de soporte del guardabarros de carga
182	586 73 86-02	182	Tablero inferior
183	874 52 05-20	183	Perno 5/16-18 x 1-1/4
189	817 00 05-12	189	Tornillo 5/16-18 x 3/4
191	581 22 35-01	191	Parrilla (LD)
194	873 90 05-00	194	Tuerca 5/16-18
195	532 40 41-37	195	Tapón
196	532 41 45-81	196	Ensamble de la consola de la plataforma de elevación
202	501 51 01-01	202	Ventilador/ Capota LD
203	501 51 01-02	203	Ventilador/ Capota LI
204	587 96 32-01	204	Ventilador
213	874 76 05-12	213	Perno 5/16-18 x 3/4
217	532 40 91-67	217	Varilla giratoria
218	532 19 63-95	218	Tope
225	581 10 32-01	225	Borde
228	532 19 51-61	228	Sujetador del travesaño
235	532 40 61-29	235	Separador del guardabarros
236	873 93 05-00	236	Tuerca 5/16-18
237	532 40 37-04	237	Tapón
287	817 60 04-06	287	Tornillo 1/4-20 x 3/8
297	581 22 36-01	297	Parrilla (LI)
--	532 44 11-26	--	Tapón

NOTA: Las dimensiones de todos los componentes están expresadas en pulgadas americanas. 1 pulgada = 25,4 mm

TRACTOR - MODELO NO. PP20VA46 (96046007900), PRODUCTO NO. 960 46 00-79 CHASIS



chassis-tex_TEX GT PRFD II_21

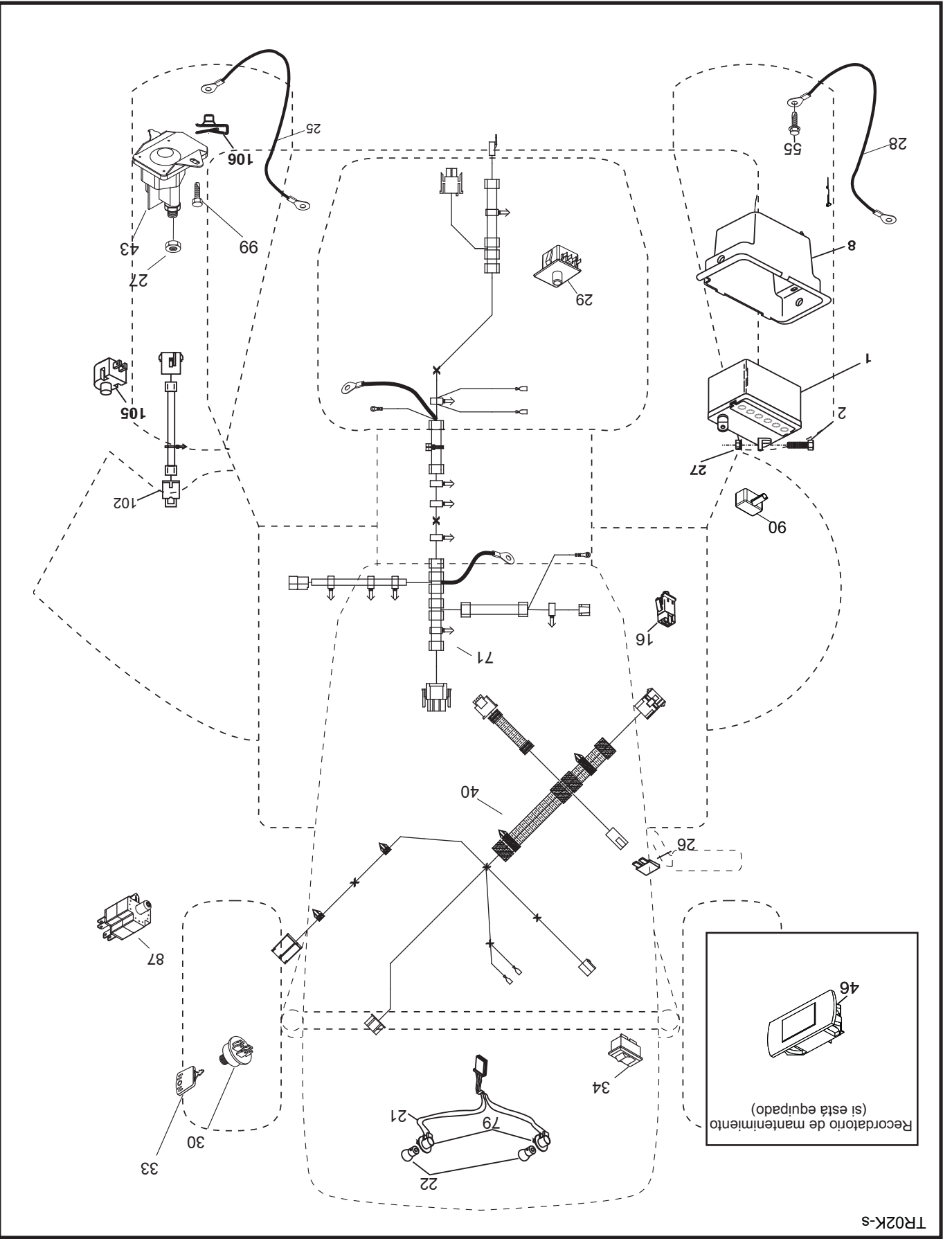
TRACTOR - MODELO NO. PP20VA46 (96046007900), PRODUCTO NO. 960 46 00-79
DIAGRAMA ELÉCTRICO

CÓDIGO	PIEZA	NO.	DESCRIPCIÓN
1	532 16 34-65		Batería
2	874 76 04-12		Perno 1/4-20 x 3/4
8	532 19 32-28		Caja de la batería
16	532 17 61-38		Interruptor
21	532 40 02-52		Arnes con 4152]
22	532 00 41-52		Luz
25	581 49 80-01		Cable encendido
26	532 17 51-58		Fusible
27	873 51 04-00		Tuerca 1/4-20 unc
28	532 42 16-86		Cable a tierra
29	532 19 27-49		Interruptor del asiento
30	532 19 33-50		Interruptor de encendido
33	532 41 19-33		Llave/cadena
34	532 11 07-12		Interruptor de luz/de restauración
40	581 02 31-01		Cableado del tablero de encendido
43	582 04 28-01		Solenoid
55	817 06 05-12		Tornillo 5/16-18 x 3/4
71	501 13 37-01		Solenoid de Chasis
79	532 17 52-42		Enchufe de cierre por torsión del ensamble de la bombilla
87	532 19 78-02		Interruptor corta corriente del cable de embrague
90	532 43 53-95		Tapa de los bornes de la batería
99	817 67 04-12		Tornillo
102	581 02 34-01		Arnes VATR
105	532 40 75-68		Interruptor Reverse
106	532 17 48-14		Tuerca 1/4

NOTA: Las dimensiones de todos los componentes están expresadas en pulgadas americanas. 1 pulgada = 25,4 mm

TRACTOR - MODELO NO. PP20VA46 (96046007900), PRODUCTO NO. 960 46 00-79
DIAGRAMA ELÉCTRICO

TR02K-S



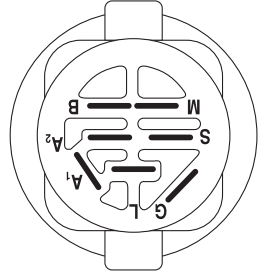
TRACTOR - MODELO NO. PP20VA46 (96046007900), PRODUCTO NO. 960 46 00-79

DIAGRAMA

SCH11-5

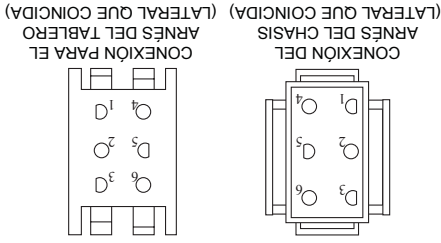
NOTAS:
 QUE SU TRACTOR ES EQUIPADO CON UN SISTEMA ESPECIAL DE ALTERNADOR. LAS LUCES NO SON CONECTADAS A LA BATERIA, PERO TIENEN SU PROPIA FUENTE ELECTRICA. A CAUSA DE ESTO, EL BRILLO DE LAS LUCES CAMBIARA CON LA VELOCIDAD DE MOTOR. EN LENTO, LAS LUCES NO SON COMO BRILLANTES. CUANDO EL MOTOR ES ACCELERADO, LA LUZ CONSEGUIRÁ MAS BRILLANTE.

INTERRUPTOR DE ENCENDIDO



POSICIÓN	CIRCUITO «MARCA»
APAGADO	M+G+A1
PONER EN FUNCIONAMIENTO/ANULAR	B+A1
PONER EN FUNCIONAMIENTO	B+A1 L+A2
ARRANCAR	B + S + A1

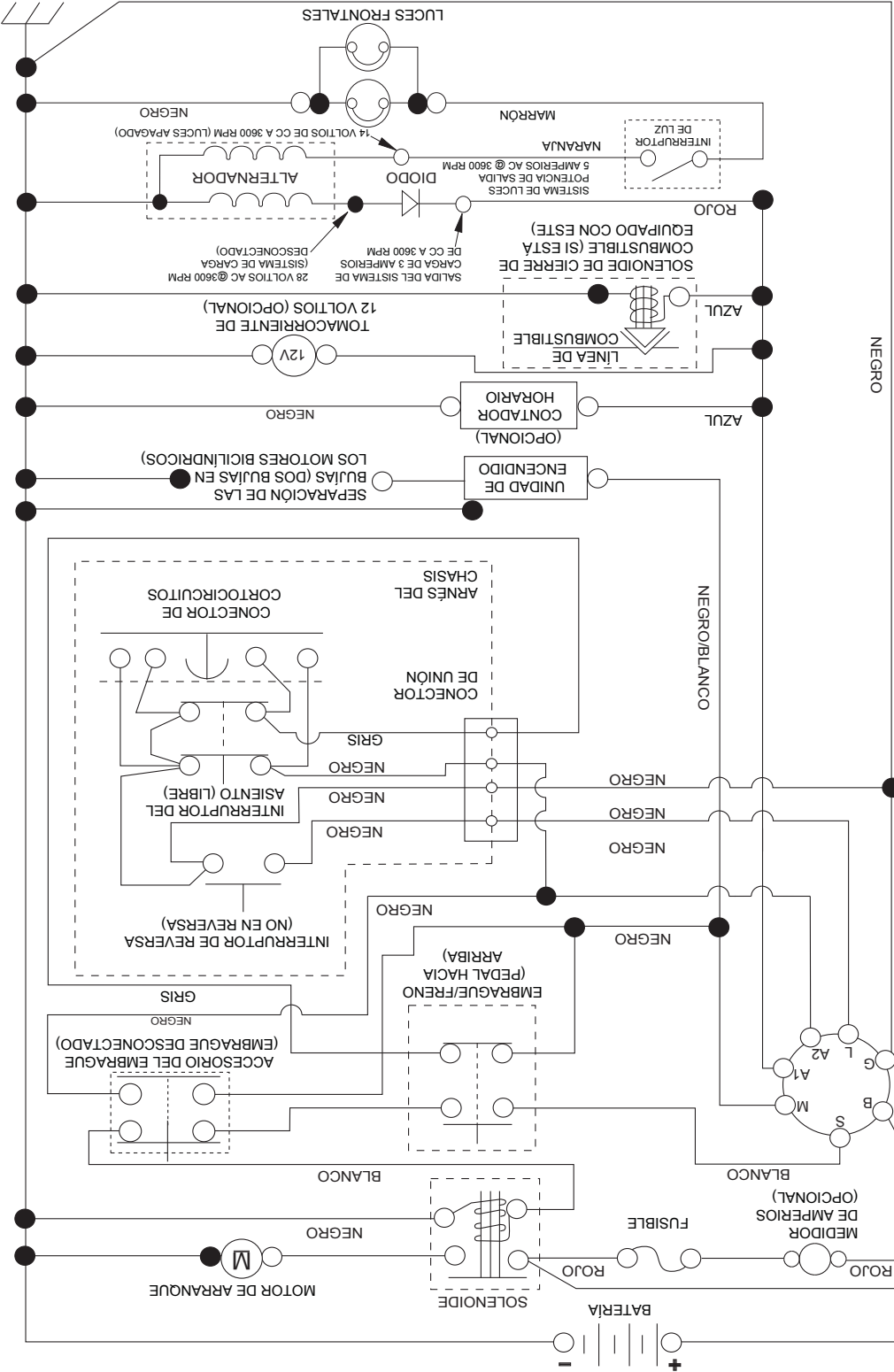
3



NOTA SOBRE LAS ABRAZADERAS DE AISLAMIENTO DEL CABLEADO: SI SE QUITAN LAS ABRAZADERAS DE AISLAMIENTO DEL CABLEADO PARA HACER EL MANTENIMIENTO DE LA UNIDAD, SE LAS DEBERÁ INSTALAR NUEVAMENTE PARA PROTEGER EL CABLEADO ADECUADAMENTE.

CONEXIONES NO DESMONTABLES (represented by a solid circle)

CONEXIONES DESMONTABLES (represented by a circle with a horizontal line through it)



COMO UTILIZAR ESTE MANUAL

Este manual está diseñado para brindarle al comprador un medio para identificar las piezas del tractor para cuando necesite hacer el pedido de un repuesto. Las ilustraciones pueden o no representar los ensamblajes reales; por lo tanto, no se recomienda utilizar este manual como una guía para ensamblar o desarmar el tractor. Algunos accesorios y piezas están dibujados en tamaños más grandes para identificarlos con mayor facilidad.

Cada tractor tiene su propio número de modelo. El número de modelo del tractor se encuentra en el guardabarros debajo del asiento.

SopORTE / Ayuda

Si necesita asistencia o tiene alguna pregunta acerca de la aplicación, operación, mantenimiento o piezas de su producto:

- Visite nuestro sitio web: www.husqvarna.com
- Llámennos de manera gratuita al: 1-800-487-5951

Cuando haga el pedido de una pieza, siempre brinde la siguiente información:

- Producto: "TRACTOR"
- NÚMERO DE MODELO: "PP20VA46 (96046007900)"
- Número de pieza
- Descripción de la pieza

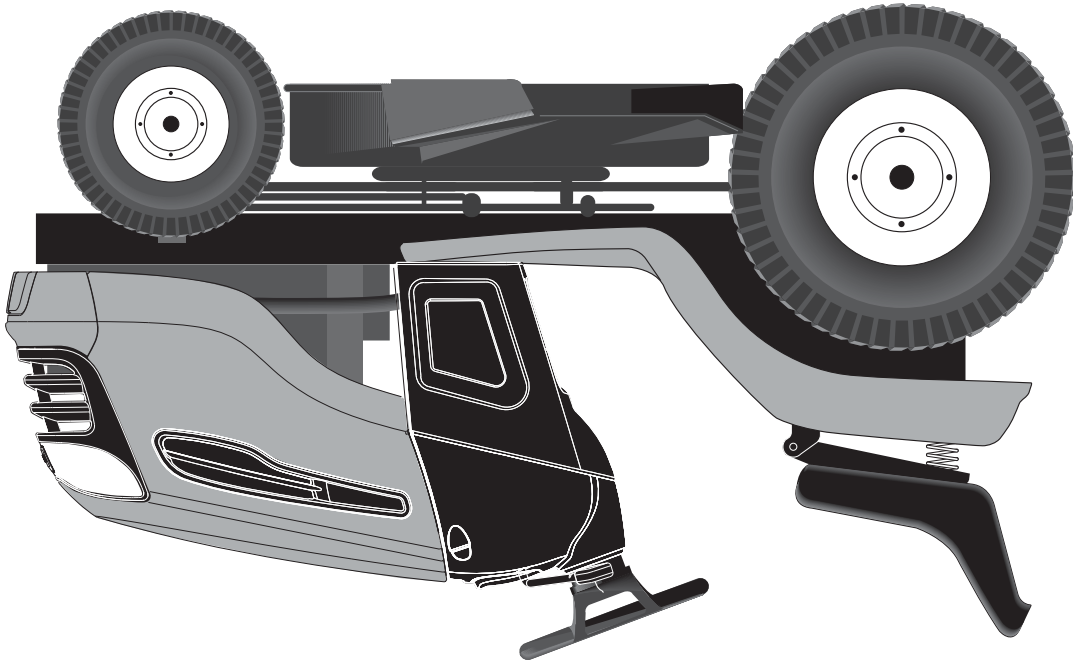
INDICE

DIAGRAMA.....	3
DIAGRAMA ELÉCTRICO.....	4-5
CHASIS.....	6-7
TRANSMISIÓN.....	8-9
MOTOR.....	10-11
DIRECCIÓN.....	12-13
PLATAFORMA DE LA CORTADORA DE CÉSPED.....	14-15
ELEVACIÓN DE LA CORTADORA DE CÉSPED.....	16
ASIENTO.....	17
CALCOMANÍAS.....	18
PARTES Y SERVICIOS.....	20

MANUAL IMPORTANTE

NO TÍRALO A FUERA

Poulan PRO



MANUAL DE REPUESTOS

MODELO:

PP20VA46

TRACTOR PARA CÉSPED

SIEMPRE USE PROTECCIONES PARA LOS OJOS MIENTRAS OPERE ESTE TRACTOR

Vea la página web: www.poulanpro.com

501 51 45-01 Rev. 16

01.11.19 JSE/SR
Impreso en los E.U.

ADVERTENCIA:

Leer, entender y seguir todas las instrucciones sobre la máquina y en el manual antes de empezar. Si no se observan las instrucciones de seguridad siguientes se pueden producir lesiones graves o la muerte.