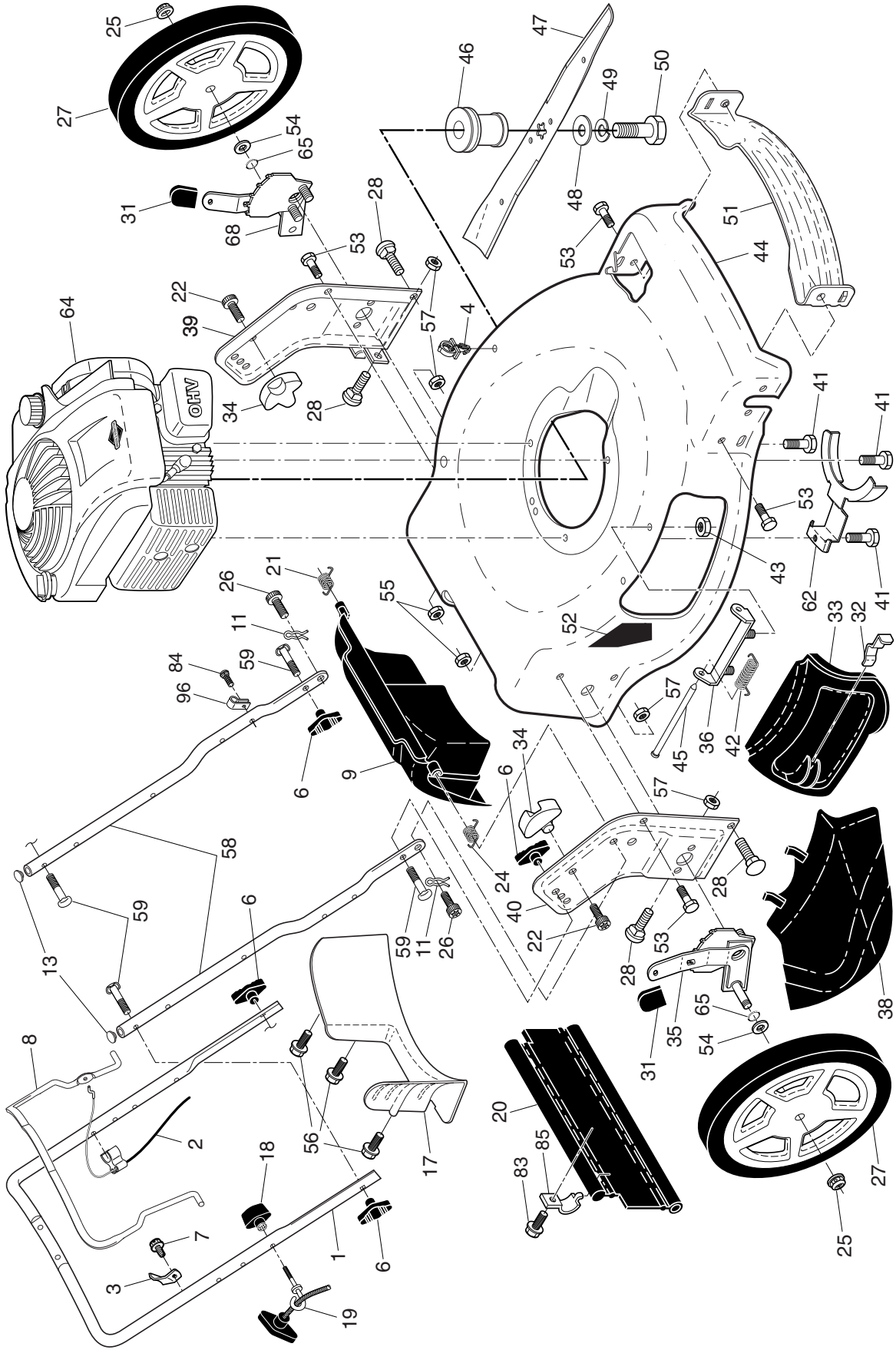


ILLUSTRATED PARTS LIST

MODEL NUMBER PR625Y22RHP

MFG. ID. NUMBER 96142012701

POULAN PRO LAWN MOWER - MODEL NUMBER PR625Y22RHP (MFG. ID. NO. 96142012701)

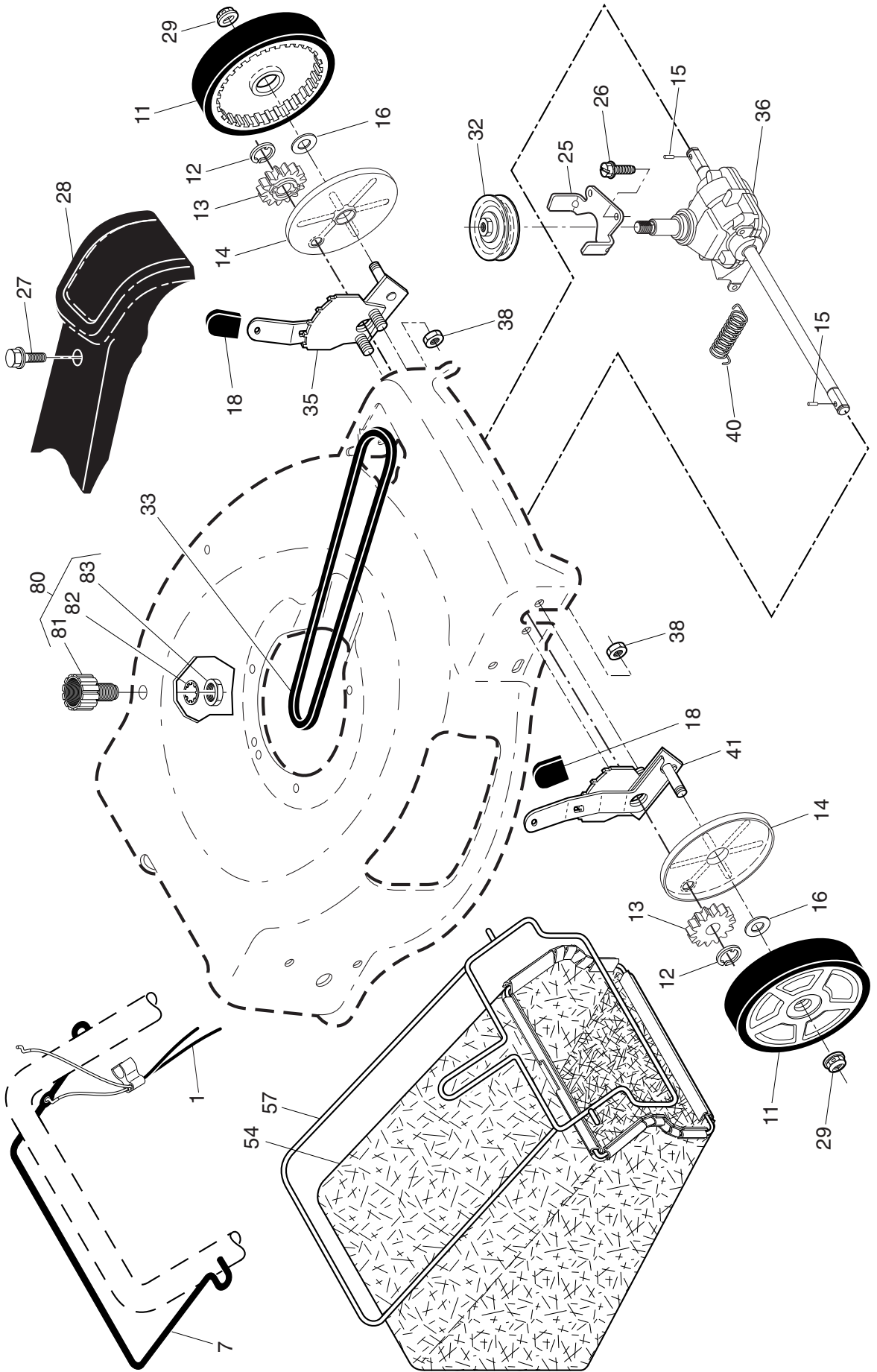


POULAN PRO LAWN MOWER - MODEL NUMBER PR625Y22RHP (MFG. ID. NO. 96142012701)

KEY NO.	PART NO.	DESCRIPTION	KEY NO.	PART NO.	DESCRIPTION	KEY NO.	PART NO.	DESCRIPTION
1	585 86 48-05	Handle, Upper	34	532 43 81-34	Pivot Bracket	57	532 15 53-77	Nut, Hex 3/8-16
2	532 42 09-39	Cable, Engine Zone Control	35	532 43 11-40	Wheel Adjuster, Rear, RH	58	585 90 82-02	Bar, Handle, Lower
3	532 43 00-34	Bracket, Upstop	36	532 17 57-35	Hinge Bracket Assembly	59	532 19 15-74	Handle Bolt
4	532 14 50-06	Guide, Cable	38	532 42 61-29	Discharge Deflector	62	532 43 50-59	Belt Retainer
6	532 19 19-38	Handle Knob	39	585 90 07-02	Handle Bracket, LH	64	- - -	Engine, Briggs & Stratton, Model Number 93J02-0052-F1 (For engine service and replacement parts, call Briggs & Stratton at 1-800-233-3723)
7	532 17 88-48	Screw #10-16 x 5/8	40	585 90 08-02	Handle Bracket, RH			
8	581 80 20-01	Control Bar	41	532 15 04-06	Screw, Dogpoint 3/8-16 x 1-1/8			
9	532 42 10-84	Rear Door Assembly	42	532 19 30-00	Spring, Torsion			
11	532 42 55-75	Hairpin, Door/Handle Pivot	43	532 19 17-30	Nut, Hex, Nylock			
13	532 43 75-16	Plug, Lower Handle Bar	44	532 43 15-58	Kit, Lawn Mower Housing			
17	532 42 73-07	Rear Baffle	45	532 17 56-50	Rod, Hinge	65	532 19 74-80	O-Ring
18	581 91 26-01	T-Knob	46	581 35 24-01	Blade Adapter / Pulley	68	532 43 11-41	Wheel Adjuster, Rear, LH
19	581 90 21-01	Rope Guide	47	532 42 04-63	Blade, 22"	83	532 75 00-97	Screw, Hex Washer Head
20	532 42 91-57	Rear Skirt	48	532 85 10-74	Washer, Hardened	84	532 42 81-24	Fastener, Push
21	532 41 99-49	Spring, Rear Door, LH, Black	49	532 85 02-63	Washer, Helical	85	532 43 45-30	Mounting Bracket, Skirt
22	532 14 18-41	Screw, Panhead, Torx #20	50	532 85 10-84	Screw, Machine, Hex Head 3/8-24 x 1-3/8 Grade 8	96	532 19 79-91	Clip, Cable
24	532 41 99-48	Spring, Rear Door, RH, Grey			Front Baffle	--	532 42 38-49	Bag of Parts (Includes Key Numbers 6 and 59)
25	532 40 91-49	Nut, Hex, Flanged	51	532 43 05-99	Decal, Danger	--	115 58 78-27	Operator's Manual, English
26	532 41 99-45	Screw, Door/Handle Pivot	52	532 40 47-63	Screw, Hex Head	--	115 58 78-31	Operator's Manual, French
27	581 01 03-12	Wheel & Tire Assembly, Rear	53	817 00 05-10	Washer, Flat	--	115 58 78-46	Operator's Manual, Spanish
28	586 21 25-01	Bolt, Carriage 5/16-18 x 5/8	54	532 08 83-48	Nut, Hex, Flanged 1/4-20	--	587 56 78-27	Repair Parts Manual, English / French
31	532 70 10-37	Selector Knob	55	532 19 17-30	Screw, Hex Washer Head #13 x 3/4			
32	532 44 11-92	Latch, Mulcher Door	56	817 41 13-12				
33	532 43 26-42	Mulcher Door						

NOTE: All component dimensions given in U.S. inches. 1 inch = 25.4 mm. **IMPORTANT:** Use only Original Equipment Manufacturer (O.E.M.) replacement parts. Failure to do so could be hazardous, damage your lawn mower and void your warranty.

POULAN PRO LAWN MOWER - MODEL NUMBER PR625Y22RHP (MFG. ID. NO. 96142012701)



POULAN PRO LAWN MOWER - MODEL NUMBER PR625Y22RHP (MFG. ID. NO. 96142012701)

KEY NO.	PART NO.	DESCRIPTION	KEY NO.	PART NO.	DESCRIPTION
1	532 42 49-19	Cable, Drive Control	32	586 98 97-01	Drive Pulley
7	532 43 52-81	Bar, Drive Control	33	532 19 68-53	V-Belt
11	581 00 92-05	Wheel & Tire Assembly, Front	35	581 49 79-04	Wheel Adjuster, Front, LH (Includes Bearing)
12	812 00 00-58	E-Ring	36	532 42 47-41	Gear Case Assembly, Complete
13	532 40 38-49	Pinion	38	532 43 81-30	Locknut, Hex 1/4-20
14	581 84 04-01	Dust Cover	40	532 40 65-58	Spring
15	532 40 48-45	Pawl, Drive	41	581 49 79-03	Wheel Adjuster, Front, RH (Includes Bearing)
16	532 06 77-25	Washer, Flat 3/8	54	580 94 73-09	Grassbag
18	532 70 10-37	Selector Knob	57	585 05 47-02	Frame, Grassbag
25	532 43 17-11	Belt Keeper	80	532 42 11-14	Water Washout Assembly
26	532 16 34-09	Screw, Hi-Lo Thread #12 x 5/8	81	532 41 97-35	Fitting, Hose, Water Washout
27	532 17 52-62	Screw	82	532 41 55-85	Washer, Lock, Internal Tooth
28	580 99 15-13	Drive Cover	83	532 41 55-86	Locknut, Hex, with O-Ring
29	532 40 91-48	Locknut, Hex			

NOTE: All component dimensions given in U.S. inches. 1 inch = 25.4 mm. **IMPORTANT:** Use only Original Equipment Manufacturer (O.E.M.) replacement parts. Failure to do so could be hazardous, damage your lawn mower and void your warranty.