

# **ILLUSTRATED PARTS LIST**

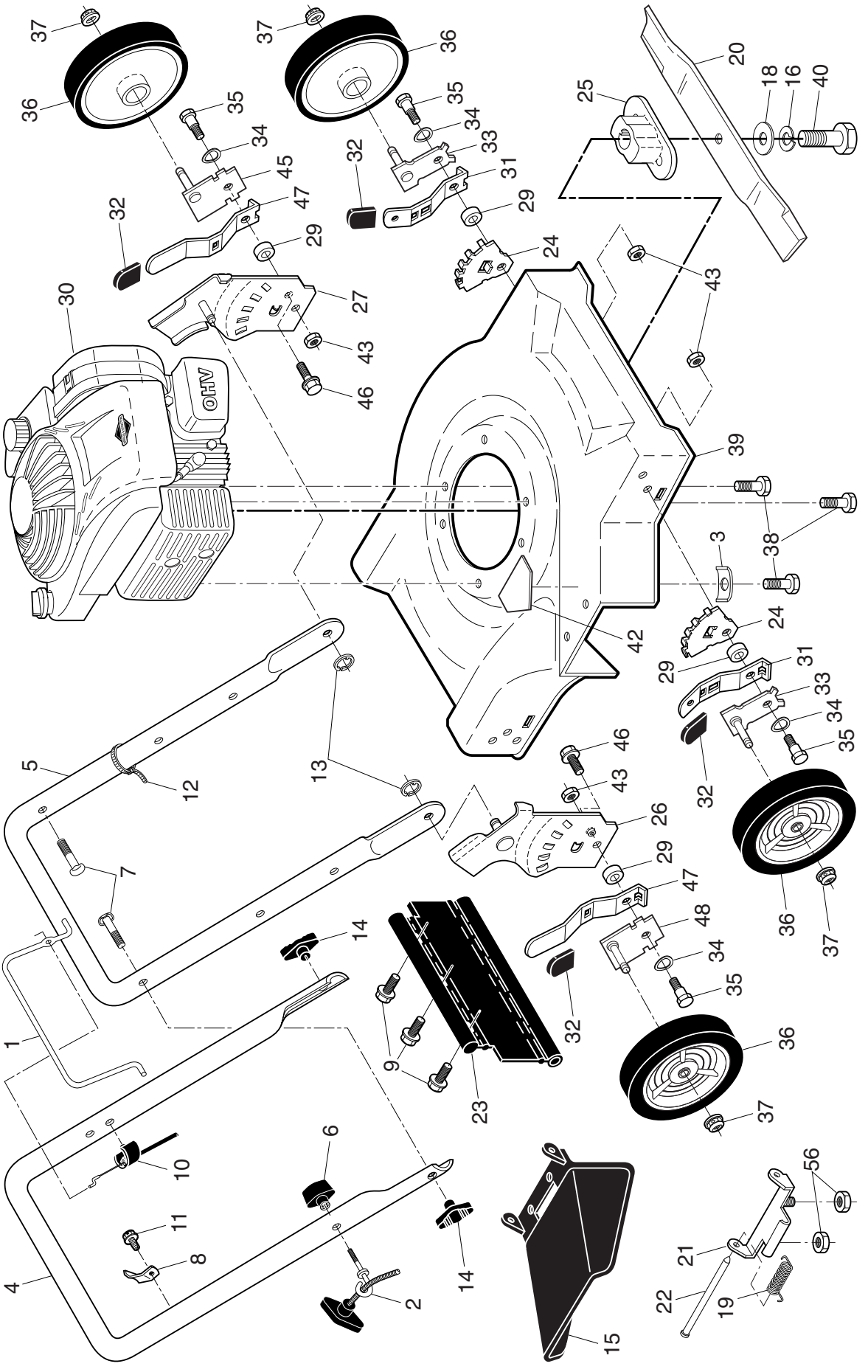
**BRAND: POULAN PRO**

**ROTARY LAWN MOWER**

**MODEL NUMBER: PR450N20S**

**MFG. ID. NUMBER: 96112013002**

**POULAN PRO LAWN MOWER - MODEL NUMBER PR450N20S (MFG. ID. NUMBER 96112013002)**



# POULAN PRO LAWN MOWER - MODEL NUMBER PR450N20S (MFG. ID. NUMBER 96112013002)

KEY NO.	PART NO.	DESCRIPTION	KEY NO.	PART NO.	DESCRIPTION
1	532 44 73-65	Control Bar	29	532 40 16-29	Spacer
2	581 90 21-01	Rope Guide	30	- - -	Engine, B&S, Model Number 8P502-0064-F1 (For engine service and replacement parts, call B&S at 1-800-233-3723)
3	532 12 50-78	Engine Washer	31	532 40 64-28	Selector Spring, Front
4	532 44 82-63	Upper Handle	32	532 08 78-77	Selector Knob
5	532 43 45-14	Lower Handle	33	532 40 78-71	Axle Arm Assembly, Front
6	581 91 26-01	T-Knob	34	532 40 16-30	Washer, Wave
7	532 19 15-74	Handle Bolt 5/16-18 x 1-3/4	35	532 40 16-38	Bolt, Shoulder 5/16-18 x 1-3/8
8	532 43 00-34	Up-Stop Bracket	36	<b>581 02 36-05</b>	Wheel and Tire Assembly
9	532 18 92-41	Screw, Hex Washer Head #10-24 x 1/2	37	532 40 91-48	Locknut, Hex, Flanged 3/8-16
10	532 44 09-34	Engine Zone Control Cable	38	532 15 04-06	Screw, Hex Head, Threaded, Rolled 3/8-16 x 1-1/8
11	532 17 88-48	Screw, Hex Washer Head #10-16 x 5/8	39	<b>581 70 83-97</b>	Lawn Mower Housing
12	532 06 64-26	Wire Tie	40	532 85 10-84	Screw, Hex Head, Grade 8 3/8-24 x 1-3/8
13	<b>532 42 82-88</b>	E-Ring	42	<b>532 18 21-66</b>	Danger Decal
14	532 19 19-38	Knob, Handle	43	<b>532 75 11-53</b>	Locknut, Hex, Flanged 5/16-18
15	532 43 20-40	Discharge Guard	45	<b>532 40 66-90</b>	Axle Arm Assembly, Rear, LH
16	532 85 02-63	Helical Lock Washer 3/8	46	<b>817 60 04-06</b>	Screw, Hex Head, Serrated 1/4-20 x 3/8
18	532 85 10-74	Hardened Washer	47	<b>587 85 78-02</b>	Selector Spring, Rear
19	532 41 18-32	Torsion Spring	48	<b>532 40 66-89</b>	Axle Arm Assembly, Rear, RH
20	532 14 51-06	Blade, 20"	56	873 80 04-00	Locknut, Hex 1/4-20
21	532 08 86-02	Hinge Deflector	--	<b>532 18 21-91</b>	Warning Decal (not shown)
22	532 15 02-15	Hinge Rod	--	115 58 77-27	Operator's Manual, English
23	<b>588 67 22-01</b>	Rear Skirt	--	115 58 77-31	Operator's Manual, French
24	<b>532 41 05-94</b>	Wheel Adjusting Bracket	--	115 58 77-46	Operator's Manual, Spanish
25	581 54 79-01	Blade Adapter			
26	<b>587 33 27-02</b>	Handle Bracket Assembly, RH			
27	<b>587 33 28-02</b>	Handle Bracket Assembly, LH			

**NOTE:** All component dimensions given in U.S. inches. 1 inch = 25.4 mm. **IMPORTANT:** Use only Original Equipment Manufacturer (O.E.M.) replacement parts. Failure to do so could be hazardous, damage your lawn mower and void your warranty.