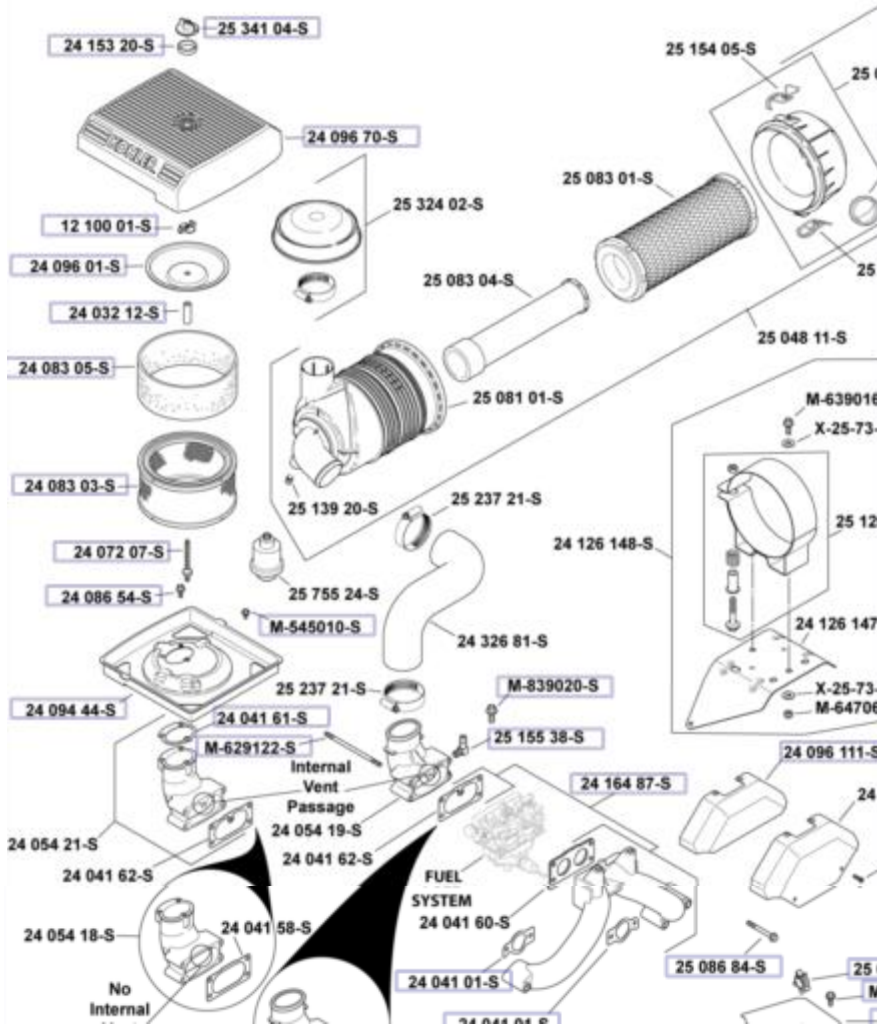


CH750-3005

Idle Speed 1800 RPM/High Speed 3750 RPM - E3

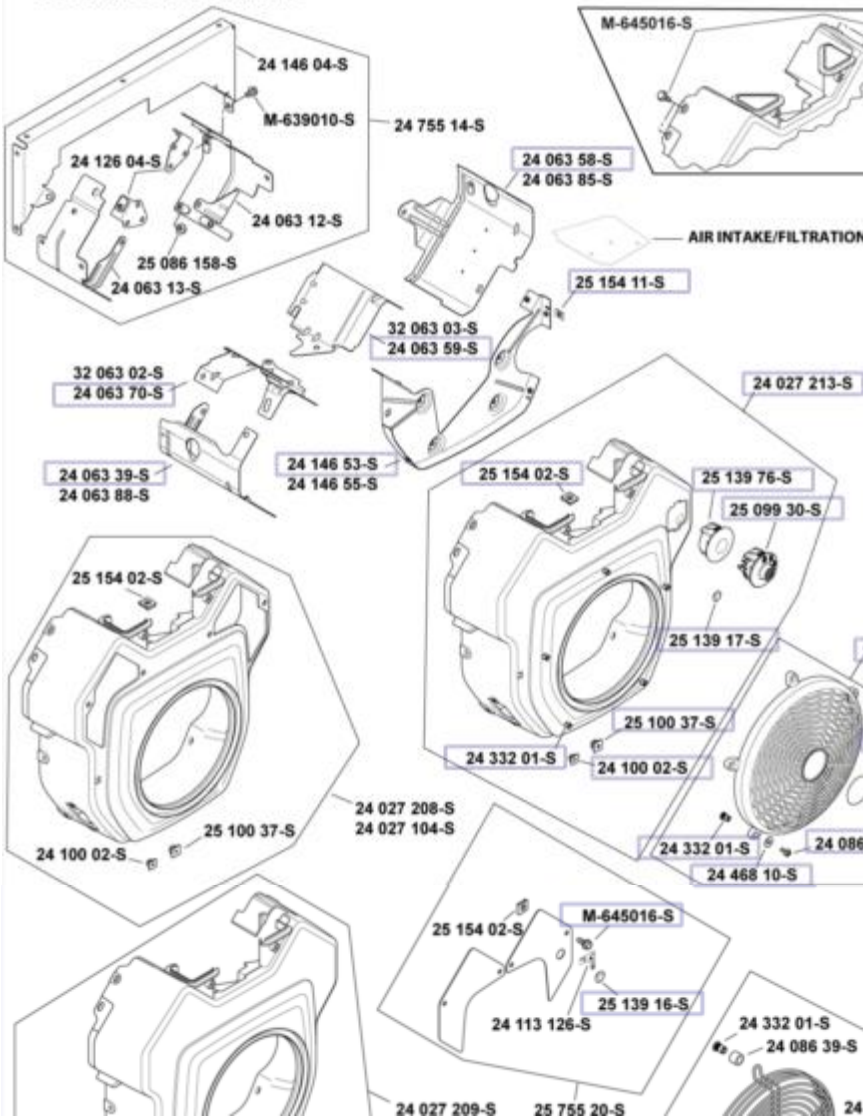
BASIC

AIR INTAKE/FILTRATION



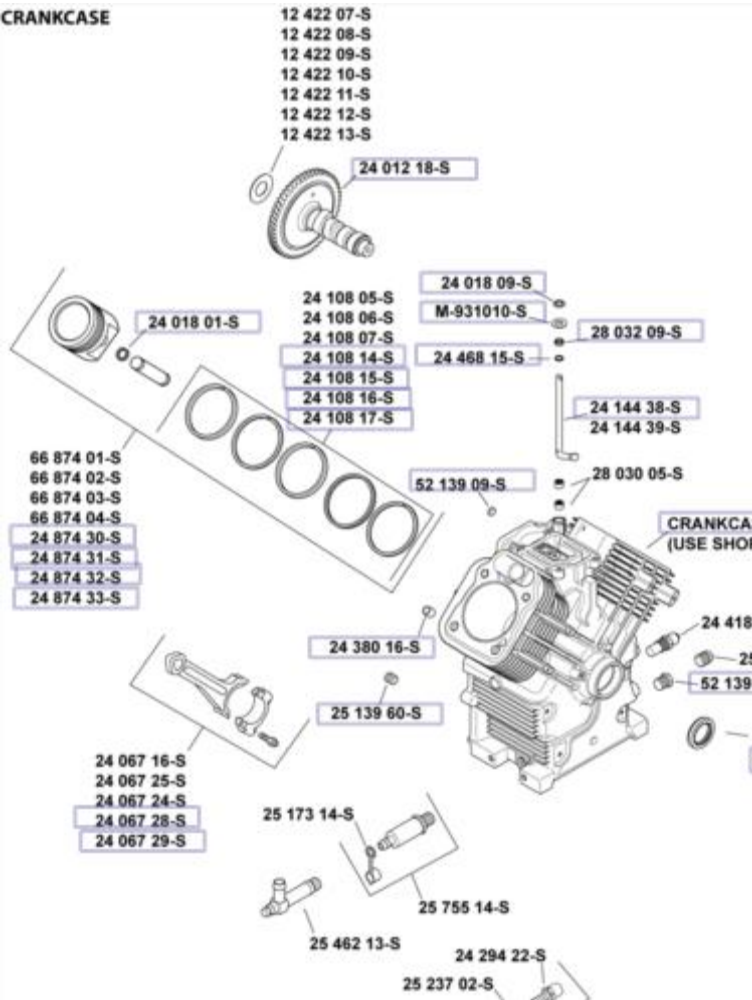
Ref #	Part #	Description	Qty
	24 041 63-S	GASKET, AIR CLEANER ELB... NOT ILLUSTRATED	1
	24 054 40-S	KIT, ELBOW NOT ILLUSTRATED	1
	25 155 38-S	CONNECTOR, HOSE	1
	25 326 28-S	HOSE, EVAPORATIVE NOT ILLUSTRATED	1
	25 431 13-S	SLEEVE, ANTI-ABRASION-U... NOT ILLUSTRATED	1
	M-629122-S	STUD, M8X1.0X122	4
	M-641060-S	NUT, FLG M8X1.0 NOT ILLUSTRATED	4
	24 314 48-S	SHIELD, DEBRIS	1
	25 018 03-S	RETAINER, CLIP	1
	25 154 13-S	CLIP, BAFFLE MOUNTING U... NOT ILLUSTRATED	2
	M-645016-S	SCREW, FLG THD FRM M8X1... NOT ILLUSTRATED	2
	24 041 61-S	GASKET, AIR CLEANER BASE	1
	24 072 07-S	STUD	1
	24 086 54-S	SCREW, FLG M6X1.0X12	2
	24 094 44-S	BASE, AIR CLEANER	1
	24 096 70-S	COVER, AIR CLEANER	1
	24 126 147-S	BRACKET, AIR CLEANER NOT ILLUSTRATED	1
	25 341 04-S	KNOB, COVER	1
	M-545010-S	SCREW, FLG THD FRM M5X... NOT ILLUSTRATED	2
	24 083 03-S	ELEMENT, AIR FILTER (HIGH)	1
	24 083 05-S	PRE-CLEANER (HIGH)	1
	24 153 20-S	O-RING	1
	12 100 01-S	NUT, WING	1
	24 032 12-S	SEAL, BREATHER	1
	24 096 01-S	COVER, INNER AIR CLEANER	1
	24 041 01-S	GASKET, INTAKE MANIFOLD...	2
	24 164 87-S	KIT, INTAKE MANIFOLD	1
	25 086 84-S	SCREW, FLG M8X1.0X55	4
	24 096 111-S	COVER, INTAKE MANIFOLD	1
	M-839020-S	SCREW, FLG M8X1.25X20	2

BLOWER HOUSING & BAFFLES



Ref #	Part #	Description	Qty
	24 027 213-S	KIT, BLOWER HOUSING US...	1
	25 154 02-S	CLIP, MOUNTING-USE 25 15...	2
	25 139 16-S	PLUG, BUTTON 9/16	1
	25 100 37-S	NUT, PLASTIC - BLACK	3
	24 100 02-S	NUT, PLASTIC	2
	24 332 01-S	INSERT, THREADED	5
	24 755 81-S	KIT, FIXED GUARD (includes 6,8-10, 24 455 01-S)	1
	24 113 18-S	DECAL, GRASS SCREEN US...	1
	24 086 35-S	SCREW, LBD SCKT PAN M5...	5
	24 468 10-S	WASHER, FLAT 7/32"	5
	M-545020-S	SCREW, FLG THD FRM M5X... NOT ILLUSTRATED	4
	M-561016-S	SCREW - USE M-545016-S NOT ILLUSTRATED	1
	M-545016-S	SCREW,FLG THD FRM M5X0... NOT ILLUSTRATED	2
	24 146 53-S	PLATE, BACKING (OIL COOL... (includes 21)	1
	24 063 39-S	BAFFLE, VALLEY #2SIDE(KM...	1
	M-645016-S	SCREW,FLG THD FRM M8X1...	6
	24 063 70-S	BAFFLE, VALLEY #2 SIDE-U...	1
	M-545010-S	SCREW, FLG THD FRM M5X... NOT ILLUSTRATED	2
	24 063 59-S	BAFFLE, VALLEY (CH)-USE ...	1
	24 063 58-S	BAFFLE, RIGHT BARREL-US...	1
	25 154 11-S	CLIP, REPAIR (SPEED NUT)	1
	41 037 10-S	NAMEPLATE, SERVICE (NOT ILLUSTRATED)	1
	25 099 30-S	KIT, KEY SWITCH (SNAP-IN)	1
	25 139 17-S	PLUG, BUTTON 1/2	1
	25 139 78-S	PLUG, KEY SWITCH	1
	24 332 01-S	INSERT, THREADED	1

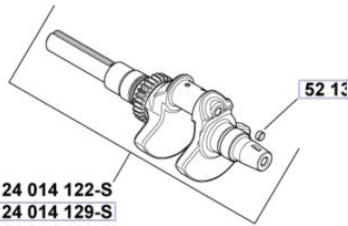
CRANKCASE



Ref #	Part #	Description	Qty
	24 032 19-S	SEAL, OIL (HELIX LIP)	1
		CRANKCASE (USE SHORT BLOCK OR MIN...	1
	24 144 38-S	SHAFT, GOVERNOR CROSS	1
	24 380 16-S	PIN, LOCATING	6
	24 067 28-S	ROD, ASSY CONNECTING (S...	2
	24 067 29-S	ROD ASSY, CONNECTING U...	2
	24 874 30-S	PISTON W/RINGS (STYLE A)... (Before S/N 4216200011)	2
	24 874 31-S	PISTON W/RINGS (STYLE A)... (Before S/N 4216200011)	1
	24 874 32-S	PISTON W/RINGS (STYLE A)... (Before S/N 4216200011)	1
	24 874 33-S	PISTON W/RINGS (STYLE A)... (Before S/N 4216200011)	1
	24 108 14-S	RING SET(STD)STYLE A-1.5m... (Before S/N 4216200011)	1
	24 108 15-S	RING SET(.08)STYLE A-1.5m... (Before S/N 4216200011)	1
	24 108 16-S	RING SET(.25)STYLE A-1.5m... (Before S/N 4216200011)	1
	24 108 17-S	RING SET(.50)STYLE A-1.5m... (Before S/N 4216200011)	1
	25 874 06-S	PISTON W/RINGS (STYLE B)... After S/N 4216200001 & Befor...	2
	25 874 10-S	PISTON W/RINGS (STYLE B)... After S/N 4216200001 & Befor...	2
	25 874 11-S	PISTON W/RINGS (STYLE B)... After S/N 4216200001 & Befor...	2
	25 874 12-S	PISTON W/RINGS (STYLE B)... After S/N 4216200001 & Befor...	2
	25 108 01-S	RING SET(STD)STYLE B-1.2... (After S/N 4216200001)	2
	25 108 02-S	RING SET(.08)STYLE B-1.2m... (After S/N 4216200001)	2
	25 108 03-S	RING SET(.25)STYLE B-1.2m... (After S/N 4216200001)	2
	25 108 04-S	RING SET(.50)STYLE B-1.2m... (After S/N 4216200001)	2
	25 874 14-S	PISTON W/RINGS (STYLE B)... (After S/N 4315600001)	2
	25 874 18-S	PISTON W/RINGS (STYLE B)... (After S/N 4315600001)	2
	25 874 19-S	PISTON W/RINGS (STYLE B)... (After S/N 4315600001)	2
	25 874 20-S	PISTON W/RINGS (STYLE B)... (After S/N 4315600001)	2
	24 018 01-S	RETAINER, PISTON PIN	4
	24 012 18-S	KIT, CAMSHAFT	1
	52 139 09-S	PLUG, CUP	1
	24 018 09-S	RETAINER, RING	1
	M-931010-S	WASHER, FLAT 9 MM	1
	28 032 09-S	SEAL, GOVERNOR CROSS ...	1
	24 468 15-S	WASHER, FLAT 11/32"	1
	25 139 60-S	PLUG, CTSK PIPE 1/8"	1
	52 139 02-S	PLUG, HD PIPE 3/8"	2

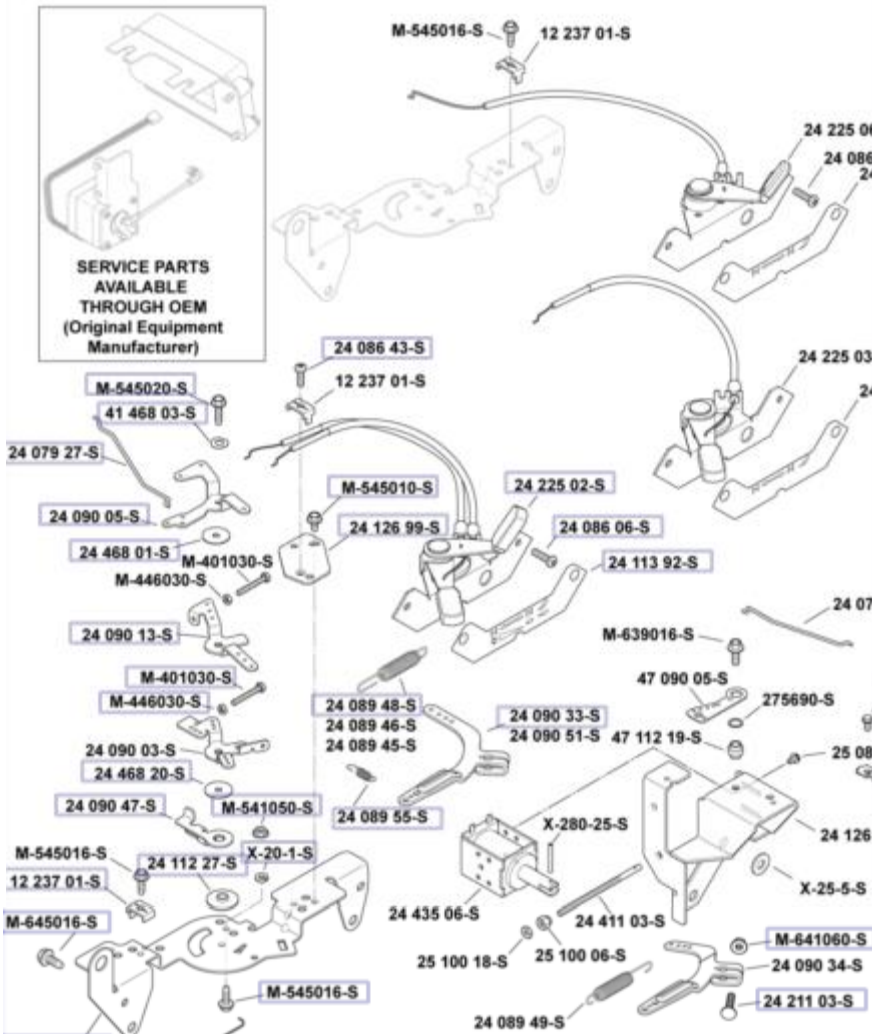
CRANKSHAFT

Ref #	Part #	Description	Qty
	52 139 09-S	PLUG, CUP	1
	24 014 129-S	CRANKSHAFT ASSEMBLY-U... (includes 52 139 09-S)	1



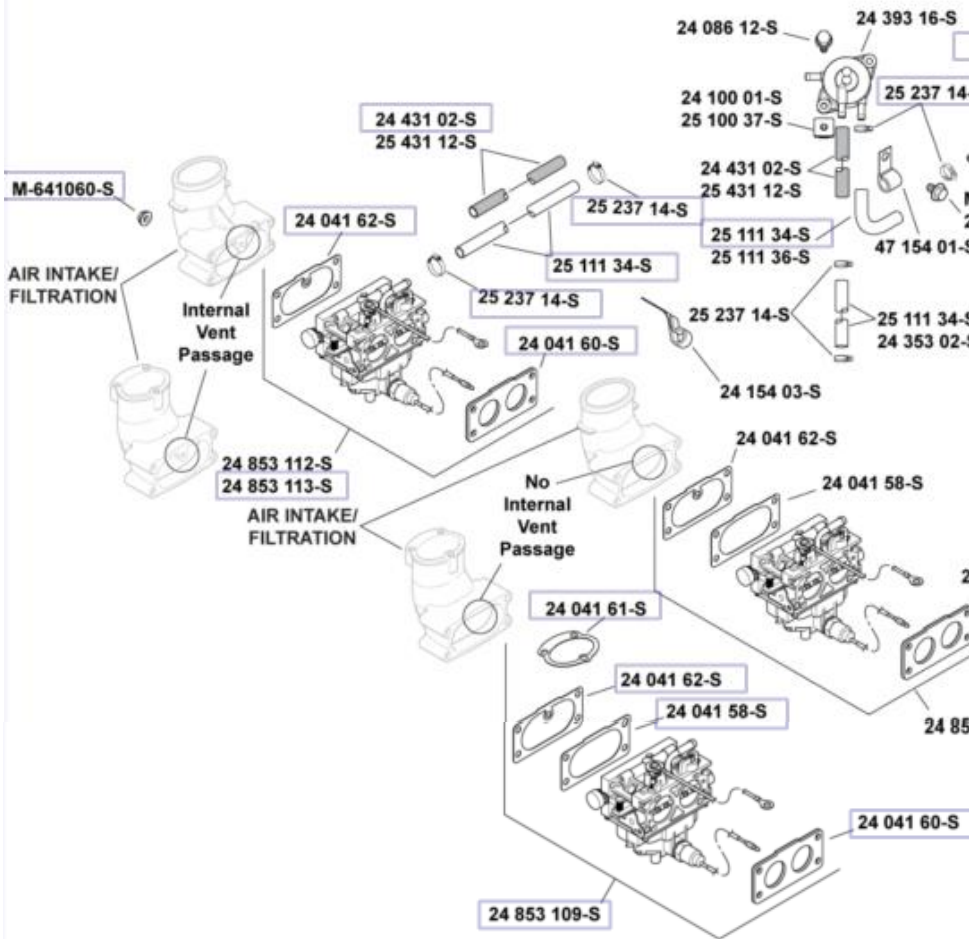
- 24 014 122-S
- 24 014 129-S
- 24 014 130-S
- 24 014 134-S
- 24 014 135-S
- 24 014 144-S
- 24 014 146-S
- 24 014 150-S

ENGINE CONTROLS



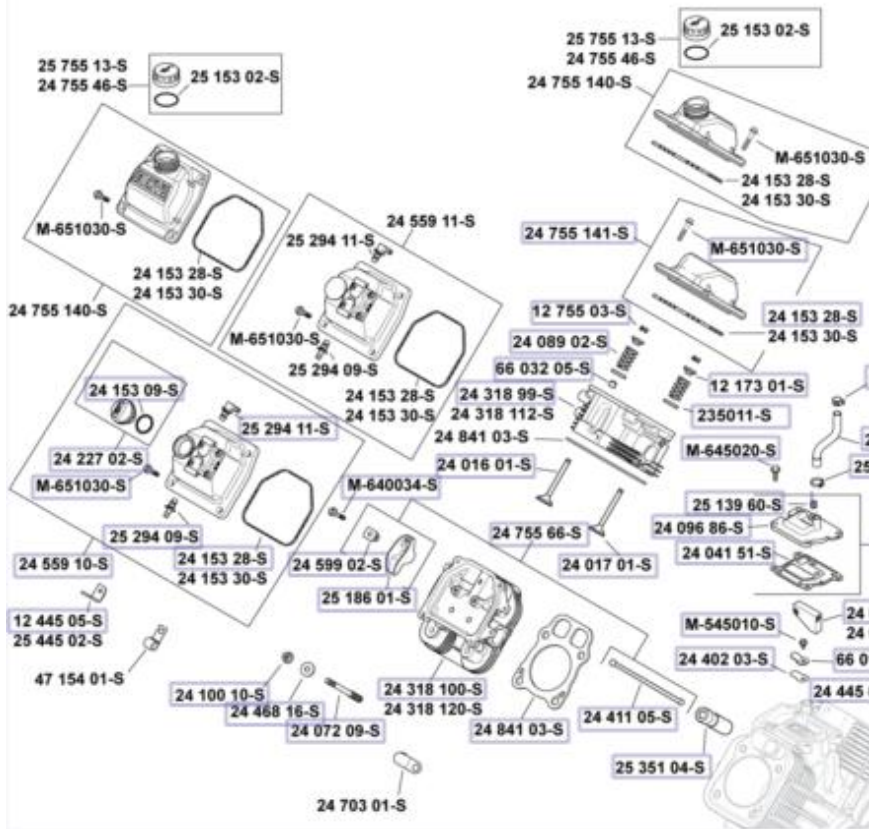
Ref #	Part #	Description	Qty
	M-641060-S	NUT, FLG M8X1.0	1
	24 211 03-S	BOLT, RD HD SQ NECK M8X...	1
	24 089 01-S	SPRING, LINKAGE	1
	25 158 08-S	BUSHING, LINKAGE RETAINI...	1
	24 079 26-S	LINKAGE, THROTTLE	1
	25 158 11-S	BUSHING, THROTTLE LINKA...	1
	24 090 33-S	LEVER, GOVERNOR-USE 24...	1
	M-545016-S	SCREW,FLG THD FRM M5X0...	1
	M-547050-S	NUT, LOCK M5X.8	1
	24 126 56-S	BRACKET, CONTROL-USE 2...	1
	M-645016-S	SCREW,FLG THD FRM M6X1...	4
	12 237 01-S	CLAMP, CABLE	1
	24 112 27-S	SPACER, CONTROL ASSEM...	1
	24 090 47-S	LEVER, THROTTLE ACTUAT...	1
	X-20-1-S	WASHER, SPRING LOCK 1/4"	1
	M-541050-S	NUT, FLG M5X.8	1
	24 468 20-S	WASHER, FLAT 5 MM	1
	M-446030-S	NUT, M4X0.7	1
	M-401030-S	SCREW, CAP M4X.7X30	1
	24 090 13-S	LEVER, THROTTLE CONTROL	1
	24 468 01-S	WASHER, FLAT 5.5 MM	3
	24 079 27-S	LINKAGE, CHOKE	1
	24 090 05-S	LEVER, CHOKE	1
	41 468 03-S	WASHER, SPRING 1/4"	1
	M-545020-S	SCREW, FLG THD FRM M5X...	1
	24 126 99-S	BRACKET, CABLE SUPPORT	1
	M-545010-S	SCREW, FLG THD FRM M5X...	2
	24 086 43-S	SCREW, LBD THD FRM M5x0...	1
	24 225 02-S	CABLE ASSY, CONTROL - (#...	1
	24 086 06-S	SCREW, PHL HD 11-16X3/4"	2
	24 113 92-S	DECAL, CONTROL PANEL	1
	24 089 48-S	SPRING, GOVERNOR (PURP...	1
	24 089 55-S	SPRING, GOVERNED IDLE	1

FUEL SYSTEM

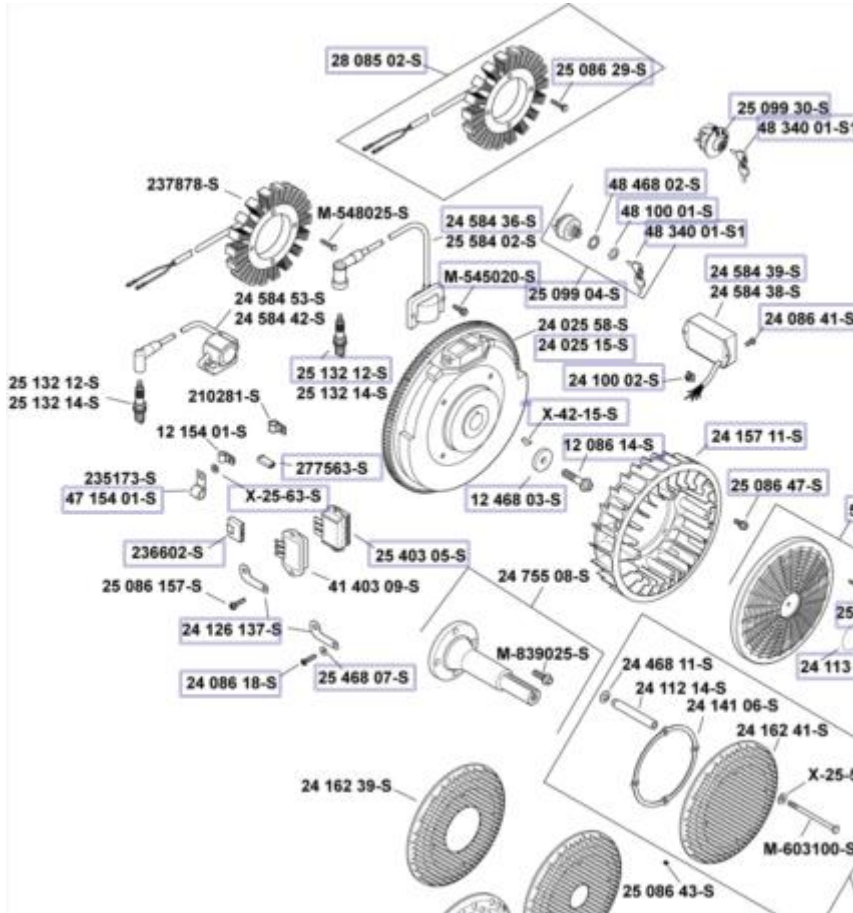


Ref #	Part #	Description	Qty
	24 853 109-S	CARBURETOR KIT-USE 24 8...	1
		(includes 24 041 60-S, 24 041 ...	
	24 041 60-S	GASKET, CARBURETOR - U...	1
	24 041 58-S	GASKET, AIR CLEANER ELB...	1
		(USE ONLY WITH WLBOW W...	
	24 041 62-S	GASKET,AIR CLEANER ELB...	1
		(USE ONLY WITH ELBOW WI...	
	24 041 61-S	GASKET, AIR CLEANER BASE	1
	M-641060-S	NUT, FLG M8X1.0	4
	25 237 14-S	CLAMP, HOSE (KM)-USE 25 ...	4
	25 111 34-S	HOSE,LW PERM.FUEL 24.00...	2
	24 431 02-S	SLEEVE, INSULATING 14"	1
	24 050 10-S	FILTER, FUEL (9-12 MICRON...	1
	24 853 113-S	KIT,CARB CH750 STD AC,22...	1
		(includes 24 041 60-S, 24 041 ...	

HEAD/VALVE/BREATHER

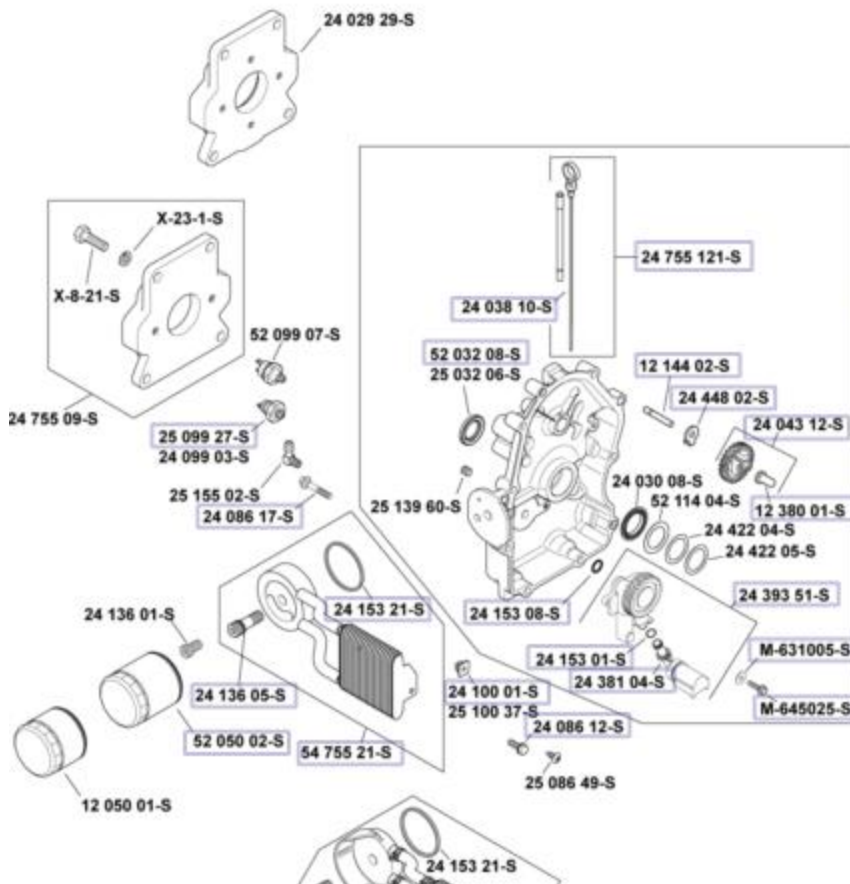


Ref #	Part #	Description	Qty
	25 237 08-S	CLAMP, BAND SPRING HOS...	1
	24 326 94-S	HOSE, BREATHER	1
	25 237 14-S	CLAMP, HOSE (KM)-USE 25 ...	1
	M-645020-S	SCREW,FLG THD FRM M8X1...	4
	24 033 01-S	KIT, BREATHER ASSEMBLY (includes 25 139 60-S, 24 096 ...)	1
	25 139 60-S	PLUG, CTSK PIPE 1/8"	1
	24 096 86-S	COVER, BREATHER-USE 24...	1
	24 041 51-S	GASKET, BREATHER-USE 2...	1
	24 050 01-S	FILTER, BREATHER-USE 24 ...	1
	M-545010-S	SCREW, FLG THD FRM M5X...	1
	66 018 04-S	RETAINER, REED	1
	24 402 03-S	REED, BREATHER	1
	24 445 01-S	STRAP, LIFTING-USE 25 445...	1
	25 351 04-S	LIFTER, HYDRAULIC VALVE-... (includes 25 357 14-S)	4
	24 411 05-S	ROD, PUSH	4
	24 841 03-S	CYL HEAD GASKET KIT-USE...	2
	24 318 100-S	(includes Head Mounting Hard... HEAD ASSY, CYLINDER #2-... (includes 25 072 04-S, M-6450...	1
	25 186 01-S	ARM, ROCKER	4
	24 599 02-S	PIVOT, ROCKER ARM	4
	M-640034-S	SCREW, FLG M6X1.0X34	4
	24 072 09-S	STUD, M8X1.25	8
	24 468 16-S	WASHER, FLAT 8.6 MM	8
	24 100 10-S	NUT, FLG M8X1.25	8
	24 559 10-S	KIT, VALVE COVER-FUEL P... (includes 25 237 14-S [qty 2]...	1
	12 445 05-S	USE 25 445 02-S LIFTING ST...	1
	24 153 28-S	O-RING (YELLOW)-USE 24 1...	2
	25 294 09-S	KIT, STRAIGHT FITTING	1
	M-651030-S	SCREW, FLG M6X1.0X30	8
	24 227 02-S	CAP ASSY, OIL FILL (YELLO... (includes 24 153 09-S)	1
	24 153 09-S	O-RING-USE 24 153 32-S	1
	25 294 11-S	KIT, 90 DEG. FITTING	1 ...
	24 755 66-S	KIT, VALVE TRAIN (includes 24 411 05-S, 25 186 ...	1
	24 017 01-S	VALVE, INTAKE (STD)	2
	24 016 01-S	VALVE, EXHAUST (STD) - U...	2
	24 318 99-S	HEAD, ASSEM CYLINDER #1... (includes 25 072 04-S, M-6450...	1
	66 032 05-S	SEAL, VALVE STEM - (#2503...	2
	235011-S	RETAINER, SPRING	4
	24 089 02-S	SPRING, VALVE	4
	12 173 01-S	RETAINER, VALVE SPRING - ...	4
	12 755 03-S	KIT, RETAINER	4
	24 755 141-S	KIT, VALVE COVER-PLAIN (includes 24 153 28-S [qty 1]...	1
	24 017 02-S	VALVE, INTAKE (.25)	2
	24 016 02-S	VALVE, EXHAUST (.25)	2
	24 755 147-S	KIT, CYLINDER HEAD HARD... (SERVICES 1 HEAD, QUANTI...	2
	25 357 14-S	LUBRICANT, CAMSHAFT NOT ILLUSTRATED	1
	24 041 49-S	GASKET, EXHAUST NOT ILLUSTRATED	1
	24 041 01-S	GASKET, INTAKE MANIFOLD... NOT ILLUSTRATED	1
	25 141 06-S	TOOL, INSTALLATION (SNA... NOT ILLUSTRATED	1
	25 072 04-S	STUD, EXHAUST (KM)-USE 2... NOT ILLUSTRATED	2
	M-645016-S	SCREW,FLG THD FRM M6X1... NOT ILLUSTRATED	1 ...
	M-645020-S	SCREW,FLG THD FRM M8X1... NOT ILLUSTRATED	1 ...



Ref #	Part #	Description	Qty
	28 085 02-S	KIT, 25 AMP STATOR ASSY. (includes 25 086 29-S, 236602-S)	1
	25 086 29-S	SCREW, WSH HD TAP #10-2...	4
	24 584 36-S	MODULE, IGNITION (Before S/N 3633900011)	2
	24 584 53-S	MOD SPARK ADV (DSAI) -US... (After S/N 3633900001)	2
	M-545020-S	SCREW, FLG THD FRM M5X....	4
	X-42-15-S	KEY, 3/16" X 5/8"	1
	12 468 03-S	WASHER, FLAT 13/32"	1
	12 086 14-S	SCREW, FLG M10X1.5X45 - (...)	1
	25 099 04-S	SWITCH ASSY, KEY (KM)-US... (Before S/N 3818800001)(incl...	1
	48 468 02-S	WASHER, INTERNAL TOOTH (Before S/N 3818800001)	1
	48 100 01-S	NUT, KEY SWITCH (Before S/N 3818800001)	1
	48 340 01-S1	KEY, SET -USE 48 340 01-S	1
	24 100 02-S	NUT, PLASTIC	2
	24 584 39-S	MODULE, SPEED ADVANCE ...	1
	24 086 41-S	SCREW, PHL HD #11-16X1/2"	2
	24 157 11-S	FAN USE 24 755 253-S	1
	25 086 47-S	BOLT, SHOULDER	4
	54 755 15-S	KIT, GRASS SCREEN (includes 25 086 117-S, 24 11...	1
	25 086 117-S	SCREW, FLG SEMS M4X.7X25	4
	24 113 18-S	DECAL, GRASS SCREEN US...	1
	25 403 05-S	REG/RECTIFIER (20/25 AMP)...	1
	236602-S	CONNECTOR, BODY (KM)-U...	1
	X-25-63-S	WASHER, FLAT 1/4" (O.D. 1/2")	2
	277563-S	CONNECTOR (1 CONTACT)	1
	25 132 12-S	PLUG, SPARK (PRO SERIES)	2
	24 126 137-S	BRACKET, GROUND STRAP ...	1
	25 468 07-S	WASHER, FLAT 7/32"	2
	24 086 18-S	SCREW, PHL HD #11-16X7/8"	2
	24 025 15-S	FLYWHEEL ASSEMBLY-USE...	1
	47 154 01-S	CLIP, CABLE	1
	25 099 30-S	KIT, KEY SWITCH (SNAP-IN) (After S/N 3818800011)	1
	24 176 112-S	HARNESS, WIRING-USE 24 ... (includes 43) NOT ILLUSTRAT...	1
	24 518 09-S	LEAD, OIL SENTRY NOT ILLUSTRATED	1
	25 518 34-S	LEAD, 20/25 AMP B+ NOT ILLUSTRATED	1
	25 155 06-S	CONNECTOR NOT ILLUSTRATED	1
	25 452 01-S	TERMINAL NOT ILLUSTRATED	2
	25 452 06-S	TERMINAL NOT ILLUSTRATED	2
	25 454 03-S	TIE, WIRE NOT ILLUSTRATED	1

OIL PAN/LUBRICATION

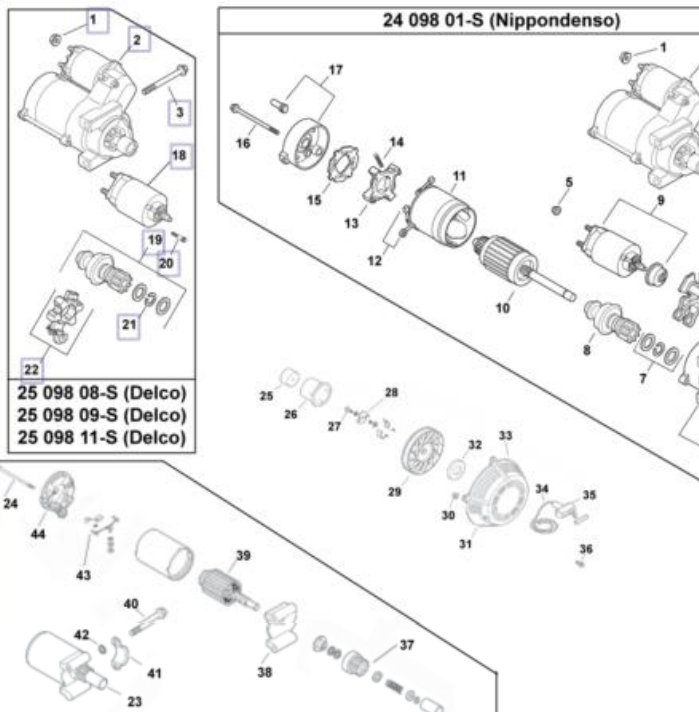


Ref #	Part #	Description	Qty
	66 009 07-S	CLOSURE PLATE ASSEMBL... (includes 24 755 121-S, 24 03...	1
	24 755 121-S	KIT, DIPSTICK/DIPSTICK TU... (includes 24 038 10-S)	1
	24 038 10-S	DIPSTICK	1
	52 032 08-S	SEAL, OIL (KM)-USE 25 032 ...	1
	12 144 02-S	SHAFT, GOVERNOR GEAR	1
	24 448 02-S	TAB, LOCKING	1
	24 043 12-S	KIT, GOVERNOR GEAR W/PIN (includes 12 380 01-S)	1
	12 380 01-S	PIN, GOVERNOR REGULATI...	1
	M-645025-S	SCREW, FLG THD FRM M8X1...	2
	M-631005-S	WASHER, FLAT 6 MM	2
	24 393 51-S	PUMP ASSEMBLY, OIL-USE ... (includes 24 153 01-S, 24 381 ...	1
	24 381 04-S	PICK-UP, OIL	1
	24 153 01-S	O-RING, OIL PICK-UP	1
	24 153 08-S	O-RING	1
	24 100 01-S	NUT, PLASTIC (KM)-USE 25 ...	2
	24 086 12-S	SCREW, TAP M6X1.7X18	2
	54 755 21-S	KIT, OIL COOLER (includes 24 136 05-S, 24 153 ...	1
	24 153 21-S	O-RING, OIL COOLER	1
	24 136 05-S	NIPPLE, OIL FILTER	1
	52 050 02-S	OIL FILTER	1
	24 086 17-S	SCREW, FLG M8X1.25X45	10
	25 099 27-S	SWITCH, OIL PRESSURE	1

STARTING GROUP

CH18, CH20, CH22, CH23, CH25, CH620, CH640, CH670, CH680, CH730, CH740, CH750

Service starter components according to the part number printed on the starter. Starter components are NOT interchangeable.



Ref #	Part #	Description	Qty
1	M-841080-S	NUT, FLG M8X1.25	1
2	25 098 11-S	ELECTRIC STARTER - SOLE...	1
3	M-851080-S	SCREW, FLG M8X1.25X80	2
18	25 435 08-S	KIT, SOLENOID	1
19	25 755 33-S	KIT, STARTER PINION	1
20	25 086 113-S	SCREW, EXTERNAL TORX H...	3
21	25 141 05-S	RING, RETAINING	1
22	25 221 01-S	KIT, BRUSH HOLDER	1

KOHLER ENGINES

KOHLER DE MÉXICO S.A. DE C.V.
NORTE 45 No. 772 INDUSTRIAL VALLEJO
C.P. 02300 MÉXICO, D.F.
Tel.(55) 36 89 13 00 y 55 87 07 11
Fax.(55) 53 68 20 87 y 53 68 46 75

Elaborado por: DMA/Soporte Técnico