

CH395 - COMMAND PRO SINGLE-CYL (CH)

Last update 30/07/2023

Print date 03/08/2023

Spec CH395-3226	Description CH395 - Command PRO Single-Cyl (CH)
-----------------	---

Specification attributes

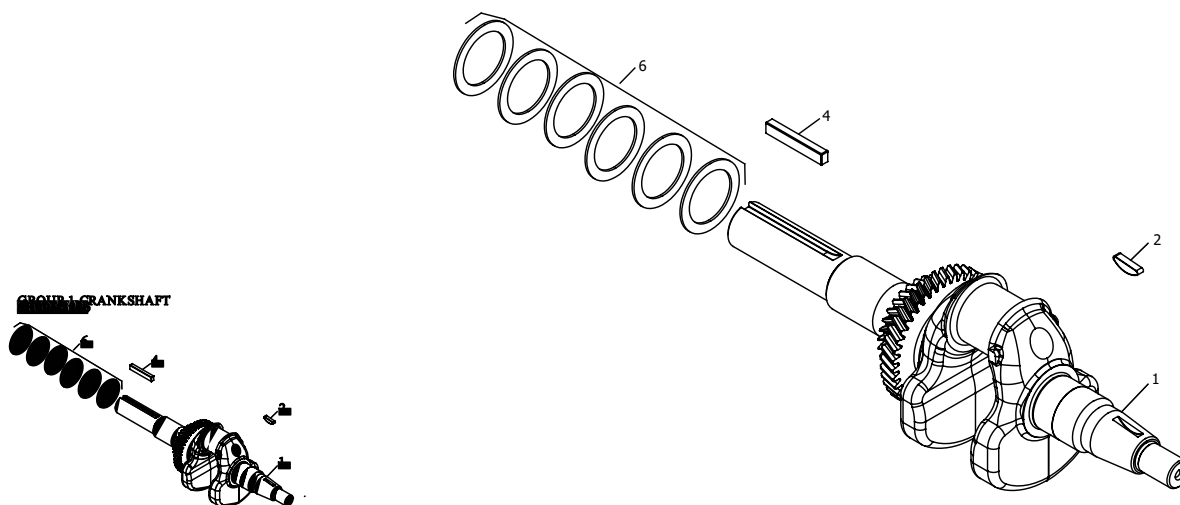
Horse power	9.5	OEM	Basic
Idle speed	RPM-1800	Governor spring hole location	NA
High speed	RPM-3750	Emission code	E12 - China, EU Stage 5
Status	NA		

Group list

Group	Description
01	CrankShaft
02	CrankCase
03	Lubrication
04	CylinderHead/Breather
05	Ignition/Charging
06	Blower Housing
07	Starting
08	Fuel System
09	Engine Controls
10	Air Intake
11	Exhaust
12	Identification
14	Blocks,Gasket Set,Replacement
17	Maintenance-Fast Moving Parts
18	Owners/Service Manual
19	Sensors
20	Sealant,Thread Lock, Lubricate

CrankShaft

GROUP 1-CRANKSHAFT
CH395-3226



ILLUSTRATIONS ARE REPRESENTATIVE - NOT INTENDED TO SHOW ALL DETAILS

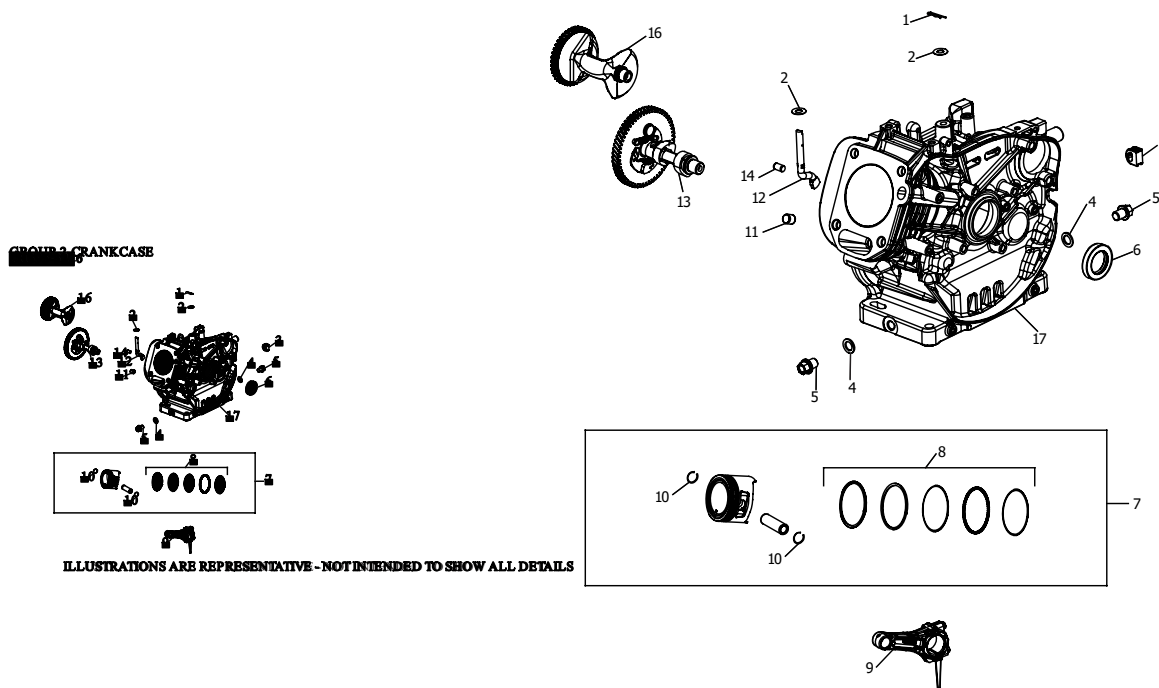
ILLUSTRATIONS ARE REPRESENTATIVE - NOT INTENDED TO SHOW ALL DETAILS

CrankShaft - Group: 01

Pos	Kit	Included in	Part #	Description	Note	QTY	Tech info
1			17 014 74-S	CRANKSHAFT ASSEMBLY		1	
2			14 340 01-S	KEY, FLYWHEEL		1	
4			25 340 06-S	KEY, SQUARE		1	
6			17 755 12-S	KIT, SHIMS		2	

CrankCase

GROUP 2-CRANKCASE
CH395-3226



ILLUSTRATIONS ARE REPRESENTATIVE - NOT INTENDED TO SHOW ALL DETAILS

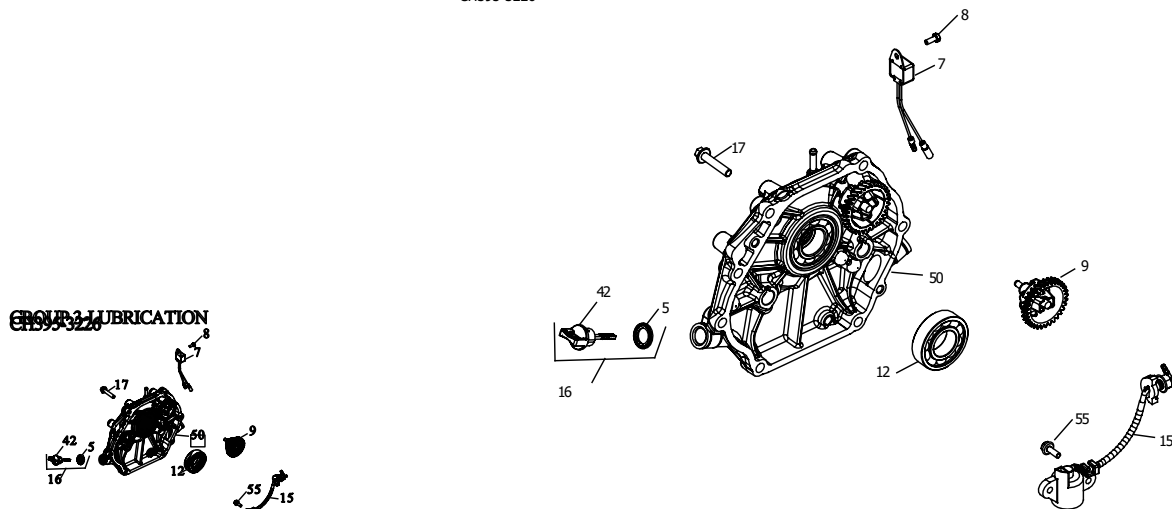
CrankCase - Group: 02

Pos	Kit	Included in	Part #	Description	Note	QTY	Tech info
1			14 154 01-S	CLIP, GOVERNOR SHAFT		1	
2			17 468 36-S	WASHER, FLAT		2	
3			17 313 13-S	GROMMET, CRANKCASE		1	
4			17 468 17-S	WASHER, DRAIN PLUG		2	
5			17 139 05-S	KIT, DRAIN PLUG		2	

7	17 874 14-S	KIT, PISTON AND RINGS		1	
8	17 108 02-S	RING SET- USE 17 874 06-S	Before S/N 4223800011	1	
8	17 108 05-S	RING, SET PISTON (std)	After S/N 4223800001	1	
9	17 067 06-S	ROD, CONNECTING ASSEMBLY		1	
10	14 018 03-S	RETAINER, PISTON PIN		2	
11	17 380 16-S	PIN, DOWEL CYLINDER HEAD		2	
12	17 144 07-S	SHAFT, GOVERNOR CROSS		1	
13	17 010 19-S	CAMSHAFT ASSEMBLY		1	
14	17 380 21-S	PIN, DOWEL		2	
16	17 144 13-S	SHAFT, BALANCE		1	
17	17 561 59-S	CRANKCASE		1	
19	17 032 16-S	SEAL, RADIAL SHAFT		1	

Lubrication

GROUP 3-LUBRICATION
CH395-3226



ILLUSTRATIONS ARE REPRESENTATIVE - NOT INTENDED TO SHOW ALL DETAILS

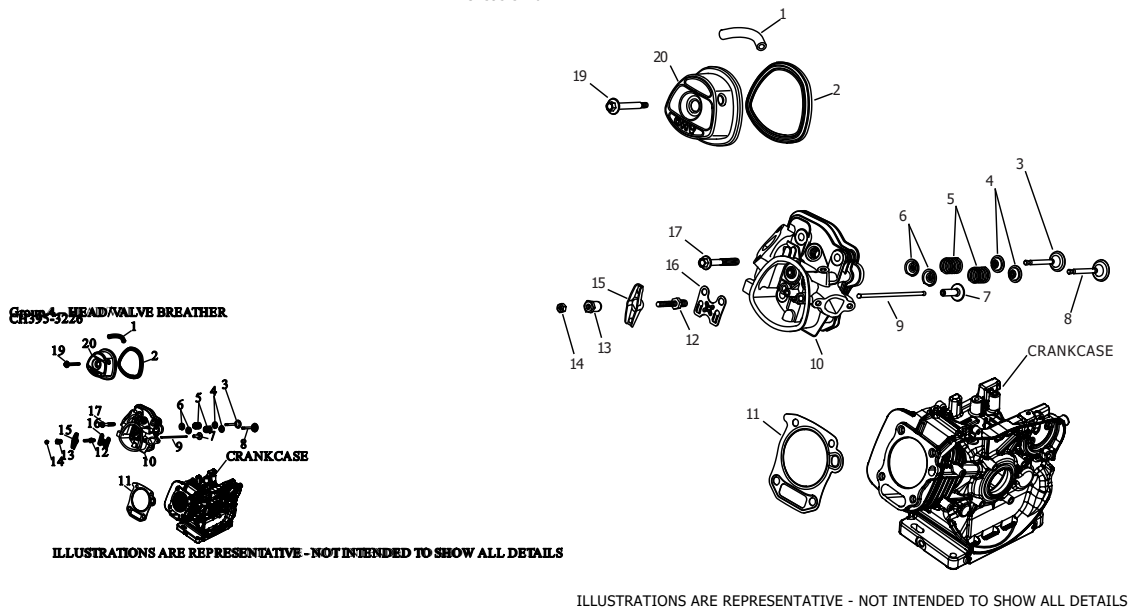
Lubrication - Group: 03

Pos	Kit	Included in	Part #	Description	Note	QTY	Tech info
4			17 032 16-S	SEAL, RADIAL SHAFT		1	
5			17 032 05-S	SEAL, DIPSTICK		1	
7			17 526 04-S	CONTROL, OIL ALERT UNIT		1	
8			25 086 244-S	SCREW, HEX/PHILLIPS M5		4	
9			17 310 05-S	GOVERNOR, ASSEMBLY		1	

12	17 030 33-S	BEARING, CRANKSHAFT	2
15	17 099 05-S	SWITCH, OIL SENSOR ASSEMBLY	1
16	17 038 08-S	DIPSTICK ASSEMBLY	2
17	25 086 230-S	SCREW, CLOSURE PLATE	7
42	17 038 01-S	DIPSTICK - USE 17 038 08-S	1
50	17 009 124-S	PLATE, CLOSURE & BEARING	1
55	25 086 337-S	SCREW, M6 X 16	2

CylinderHead/Breather

Group 4 – HEAD/VALVE BREATHER
CH395-3226



ILLUSTRATIONS ARE REPRESENTATIVE - NOT INTENDED TO SHOW ALL DETAILS

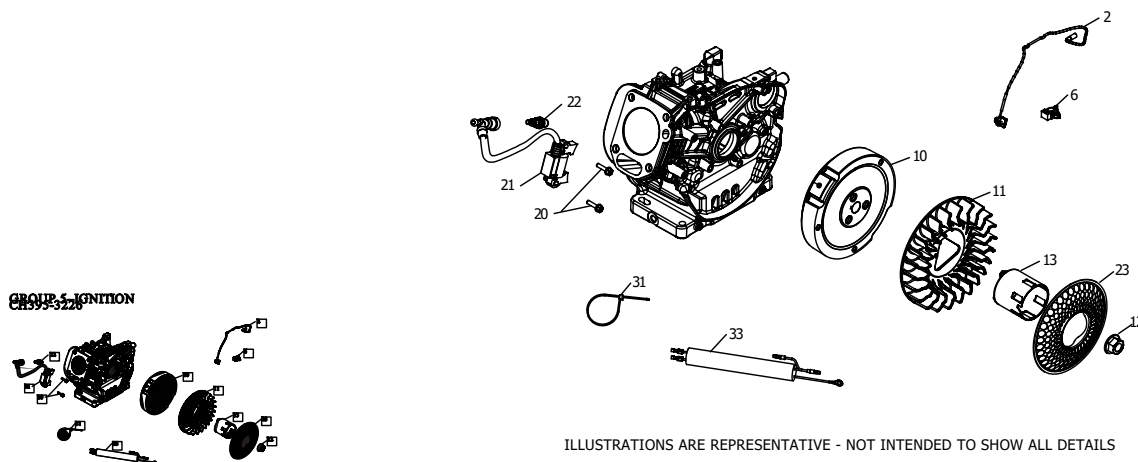
CylinderHead/Breather - Group: 04

Pos	Kit	Included in	Part #	Description	Note	QTY	Tech info
1			17 123 90-S	TUBE, BREATHER		1	
2			17 041 52-S	GASKET, VALVE COVER		1	
3			17 016 03-S	VALVE, EXHAUST		1	
4			17 032 25-S	SEAL, VALVE STEM		2	
5			17 089 52-S	SPRING, VALVE		2	

6	17 018 08-S	RETAINER, VALVE SPRING	2	
7	17 351 03-S	LIFTER, VALVE	2	
8	17 017 06-S	VALVE, INTAKE	1	
9	17 411 06-S	PUSH ROD-(#1741109S)	2	
10	17 318 02-S	KIT, HEAD AND VALVE TRAIN	1	
11	17 841 22-S	KIT, HEAD GASKET	1	
12	14 072 02-S	STUD, ROCKER ARM-USE 14 072 22-S	2	
13	14 599 01-S	PIVOT, ROCKER ARM	2	
14	14 100 01-S	NUT, HEX JAM	2	
15	17 186 05-S	ARM, ROCKER	2	
16	17 146 09-S	PLATE, PUSHROD GUIDE	1	
17	25 086 234-S	SCREW, HEX FLANGE CYLINDER HEAD	4	
19	25 086 310-S	SCREW, VALVE COVER SEAL ASSY	1	
20	17 096 15-S	KIT, VALVE COVER ASSEMBLY	1	

Ignition/Charging

GROUP 5-IGNITION
CH395-3226



ILLUSTRATIONS ARE REPRESENTATIVE - NOT INTENDED TO SHOW ALL DETAILS

ILLUSTRATIONS ARE REPRESENTATIVE - NOT INTENDED TO SHOW ALL DETAILS

Ignition/Charging - Group: 05

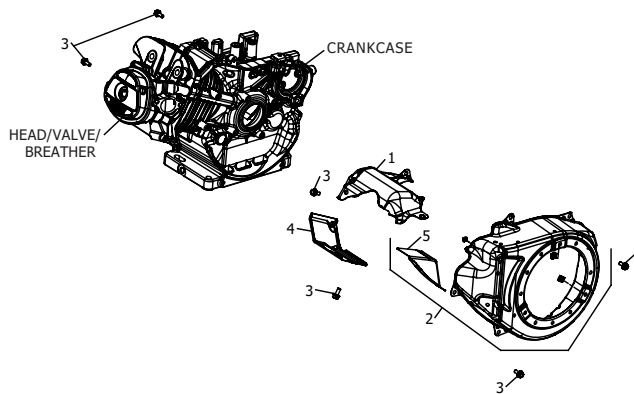
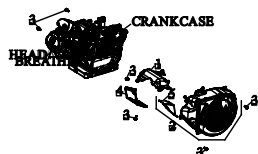
Pos	Kit	Included in	Part #	Description	Note	QTY	Tech info
2			17 518 06-S	LEAD, GROUND TO KILL		1	
6			17 154 09-S	CLIP, WIRE HARNESS		1	
10			17 025 03-S	FLYWHEEL ASSY,CAST IRON (RECOIL)		1	
11			17 157 03-S	FAN, FLYWHEEL		1	
12			17 100 24-S	NUT, FLYWHEEL		1	

13	17 109 07-S	CUP, STARTER DRIVE	1
20	25 086 186-S	SCREW, M6 X 25-(#25086436S)	2
21	17 584 02-S	MODULE, SPARK PLUG ASSY	1
22	25 132 19-S	SPARK PLUG	1
31	25 454 05-S	TIE	1
33	17 518 15-S	LEAD, MICROSWITCH	1

Blower Housing

GROUP 6-BLOWER HOUSING
CH395-3226

GROUP 6-BLOWER HOUSING
CH395-3226



ILLUSTRATIONS ARE REPRESENTATIVE - NOT INTENDED TO SHOW ALL DETAILS

ILLUSTRATIONS ARE REPRESENTATIVE - NOT INTENDED TO SHOW ALL DETAILS

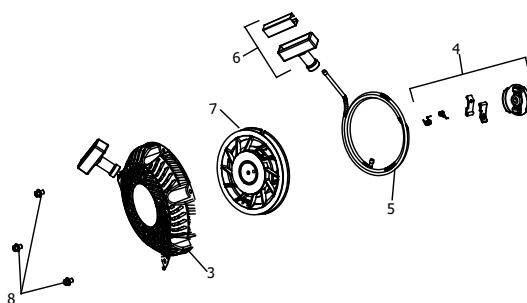
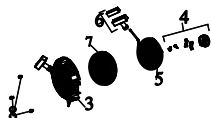
Blower Housing - Group: 06

Pos	Kit	Included in	Part #	Description	Note	QTY	Tech info
1			17 314 11-S	SHIELD, UPPER HEAT		1	
2			17 027 67-S	KIT, BLOWER HOUSING		1	⚠
3			25 086 159-S	SCREW, HEX FLANGE (M6)-USE 25 086 433-S		8	
4			17 314 27-S	SHIELD, CYLINDER HEAD		1	
5			17 314 89-S	SHIELD, OUTSIDE CYLINDER HEAD		1	

Starting

GROUP 7-STARTING
CH395-3226

GROUP 7-STARTING
CH395-3226



ILLUSTRATIONS ARE REPRESENTATIVE - NOT INTENDED TO SHOW ALL DETAILS

ILLUSTRATIONS ARE REPRESENTATIVE - NOT INTENDED TO SHOW ALL DETAILS

Starting - Group: 07

Pos	Kit	Included in	Part #	Description	Note	QTY	Tech info
3			17 165 12-S	RETRACTABLE STARTER ASSEMBLY		1	
4			17 379 03-S	KIT, PAWL REPAIR		1	
5			17 160 02-S	KIT, ROPE		1	
6			17 166 06-S	KIT, HANDLE		1	
7			17 093 03-S	PULLEY, RECOIL		1	

8

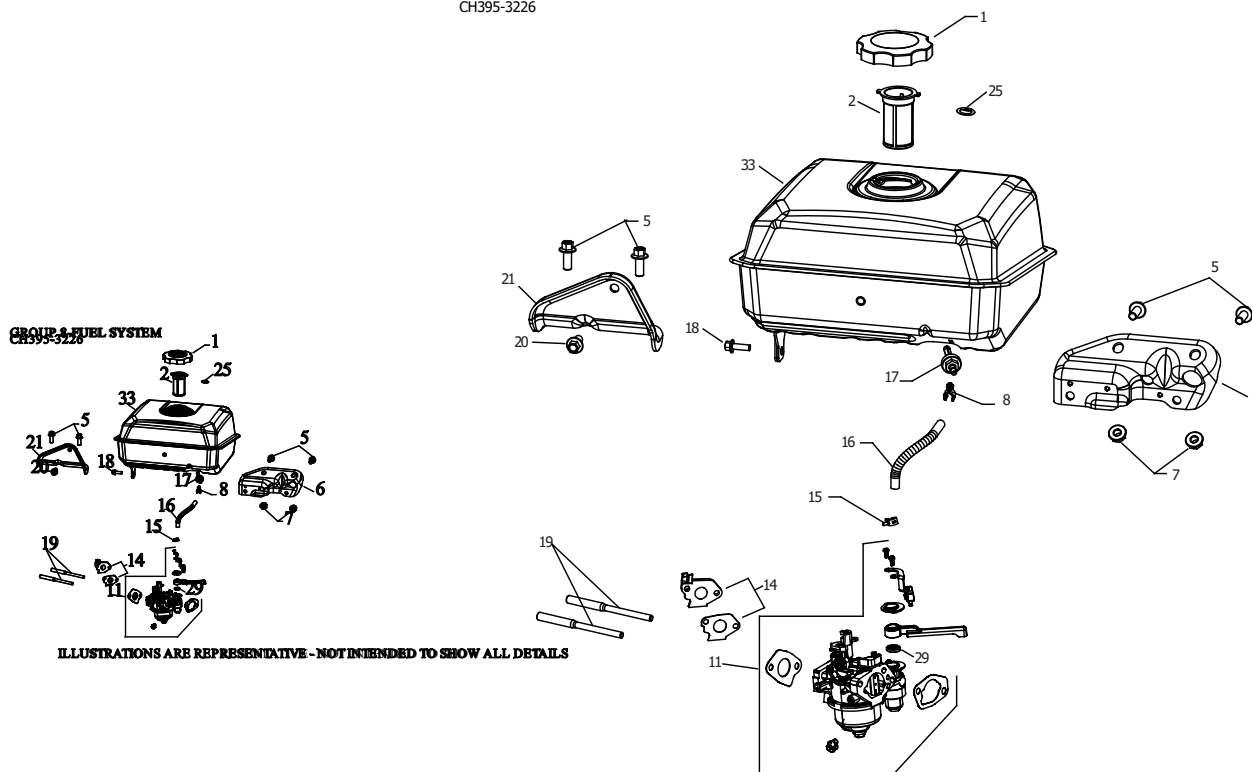
25 086 648-S

SCREW, M6 X 8 HEX FLANGE HEAD

3

Fuel System

GROUP 8-FUEL SYSTEM
CH395-3226



ILLUSTRATIONS ARE REPRESENTATIVE - NOT INTENDED TO SHOW ALL DETAILS

Fuel System - Group: 08

Pos	Kit	Included in	Part #	Description	Note	QTY	Tech info
1			17 173 46-S	CAP, FUEL TANK		1	
2			17 050 20-S	FILTER, FUEL TANK		1	
5			25 086 224-S	SCREW, M8 X 20		4	
6			17 126 245-S	BRACKET, FUEL SUPPORT ASSEMBLY		1	

6	17 294 19-S	FITTING, FUEL ASSY	AFTER S/N 5210300001	1	
7	M-841080-S	NUT, FLG M8X1.25		2	
8	17 154 08-S	CLIP, FUEL HOSE		1	
11	17 853 148-S	KIT, CARBURETOR COMPLETE		1	
14	17 168 03-S	INSULATOR AND GASKET KIT		2	
15	14 237 01-S	CLAMP, FUEL LINE		2	
16	25 111 40-S	LINE, FUEL (10"-CUT TO LENGTH)		1	
17	17 294 05-S	FITTING, FUEL ASSY-(#1729419S)	BEFORE S/N 5210300011	1	
18	25 086 223-S	SCREW, M6 X18		3	
19	17 072 10-S	STUD, CARBURETOR		2	
20	M-851016-S	SCREW, FLG 8X1.25X16		1	
21	17 126 159-S	BRACKET, FUEL SUPPORT		1	
25	17 050 23-S	KIT, FUEL SCREEN		1	
29	17 032 40-S	SEAL, INLET VALVE		1	
33	17 065 87-S	TANK, FUEL		1	
NI	14 455 03-S	TOOL, SPARK PLUG WRENCH ASSY		1	
NI	17 755 10-S	KIT, HIGH ALT (4000-8000 FT)		1	
NI	17 755 25-S	KIT, HIGH ALT (8,000+ FT)		1	

NI

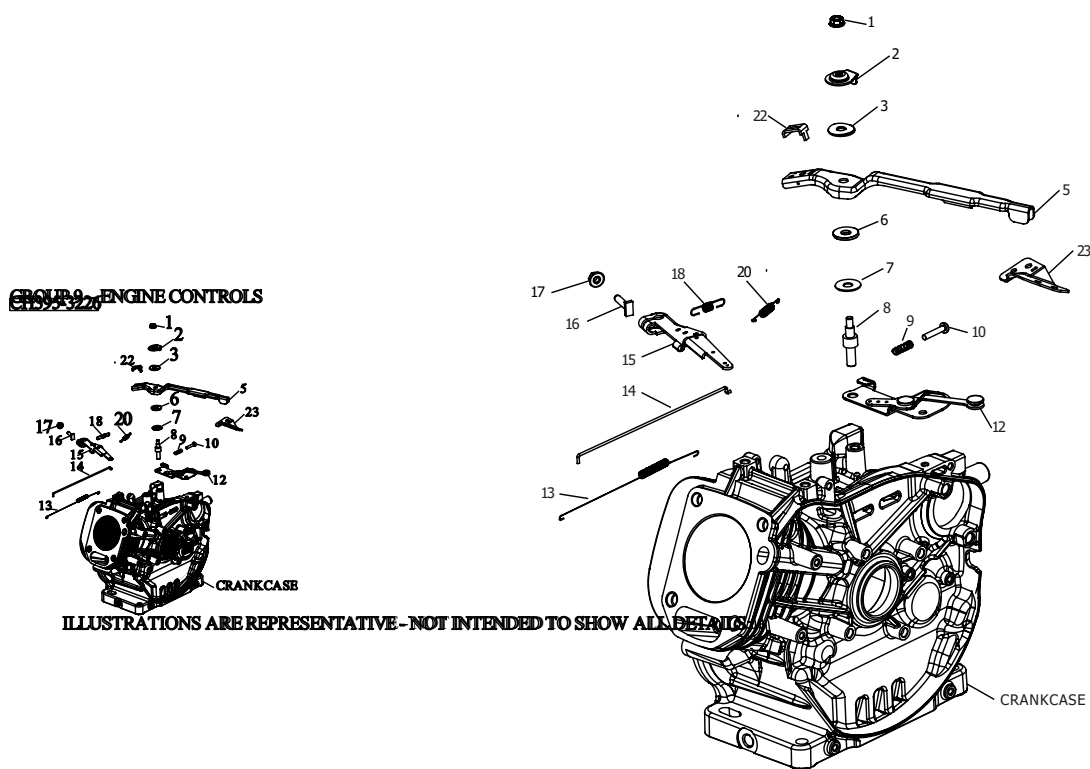
17 757 03-S KIT, CARBURETOR REPAIR

1



Engine Controls

GROUP 9 – ENGINE CONTROLS
CH395-3226



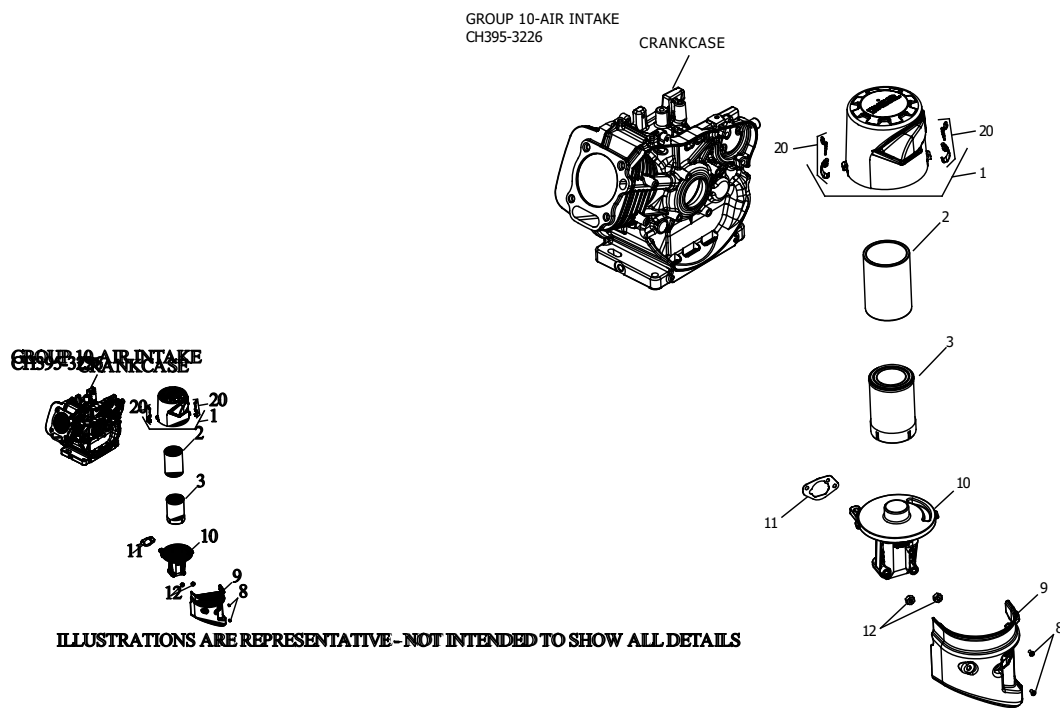
ILLUSTRATIONS ARE REPRESENTATIVE - NOT INTENDED TO SHOW ALL DETAILS

Engine Controls - Group: 09

Pos	Kit	Included in	Part #	Description	Note	QTY	Tech info
1			14 100 09-S	NUT, HEX FLANGE LOCK (M6)		1	
2			17 468 34-S	WASHER, CONTROL LEVER		1	
3			25 468 17-S	WASHER, SPRING		1	
5			17 090 22-S	CONTROL LEVER ASSEMBLY		1	

6	25 468 15-S	WASHER, NYLON CONTROL LEVER		1
7	17 468 19-S	WASHER, FLAT		1
8	17 072 11-S	STUD, CONTROL LEVER		1
9	17 089 36-S	SPRING, COMPRESSION		1
10	25 086 242-S	SCREW, SPEED ADJUSTING		1
12	17 126 49-S	BRACKET, CONTROLS ASSY		1
13	17 089 59-S	SPRING, LINKAGE		1
14	17 079 02-S	LINKAGE, GOVERNOR		1
15	17 090 54-S	KIT, GOVERNOR LEVER		1 
16	25 086 166-S	SCREW, RECTANGLE HEAD (M6)		1
17	14 100 08-S	NUT, HEX FLANGE (M6) - USE 14 100 16-S	AFTER S/N 5128500001	1
18	17 089 11-S	SPRING, GOVERNOR		1
20	17 089 34-S	SPRING, THROTTLE RETURN		1
22	17 237 12-S	CLAMP, CABLE		1
23	17 126 57-S	BRACKET, BOWDEN CABLE ASSY		1

Air Intake



ILLUSTRATIONS ARE REPRESENTATIVE - NOT INTENDED TO SHOW ALL DETAILS

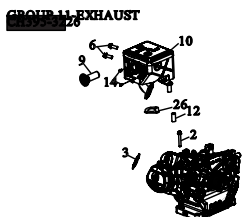
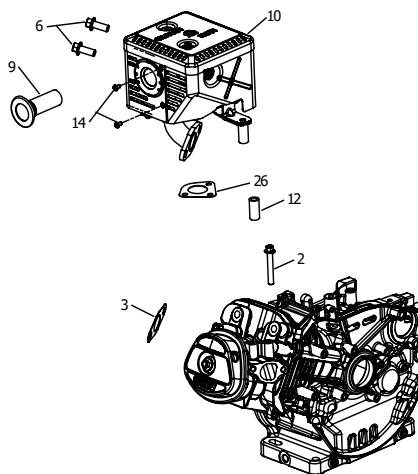
Air Intake - Group: 10

Pos	Kit	Included in	Part #	Description	Note	QTY	Tech info
1			17 096 79-S	COVER, AIR CLEANR ASSEMBLY		1	
2			17 083 15-S	ELEMENT, PRE-CLEANER		1	
3			17 083 32-S	ELEMENT, AIR FILTER		1	
8			25 086 217-S	SCREW,COVR TO BLWR HOUSING	BEFORE S/N 5128500011	2	

9	17 094 85-S	KIT, AIR CLEANER BASE ASSEMBLY	AFTER S/N 5128500001	1	
9	17 096 80-S	COVER, A/C BASE CH395	BEFORE S/N 5128500011	1	
10	17 094 33-S	AIR CLEANER BASE ASSY	BEFORE S/N 5128500011	1	
11	17 041 37-S	GASKET, AIR CLEANER		1	
12	17 100 43-S	NUT, HEX (M6 THREAD, M8 BODY)	BEFORE S/N 5128500011	2	
20	17 344 01-S	KIT, LATCH CLIP		4	

Exhaust

GROUP 11-EXHAUST
CH395-3226



ILLUSTRATIONS ARE REPRESENTATIVE - NOT INTENDED TO SHOW ALL DETAILS

ILLUSTRATIONS ARE REPRESENTATIVE - NOT INTENDED TO SHOW ALL DETAILS

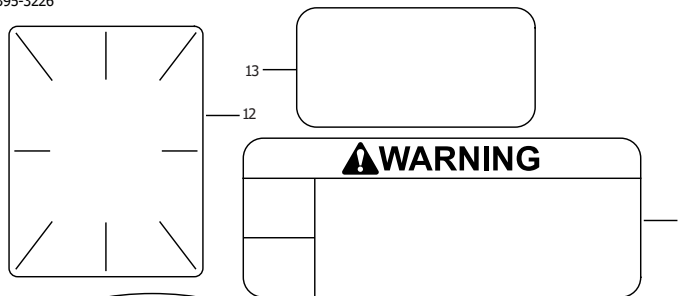
Exhaust - Group: 11

Pos	Kit	Included in	Part #	Description	Note	QTY	Tech info
2			25 086 241-S	SCREW, M8 X 55		1	
3			17 041 29-S	GASKET, MUFFLER		1	
6			25 086 240-S	SCREW, M10 X 25		2	
9			17 533 09-S	ARRESTOR ASSEMBLY, SPARK		1	
10			17 068 76-S	MUFFLER ASSEMBLY W/HEAT SHIELD		1	

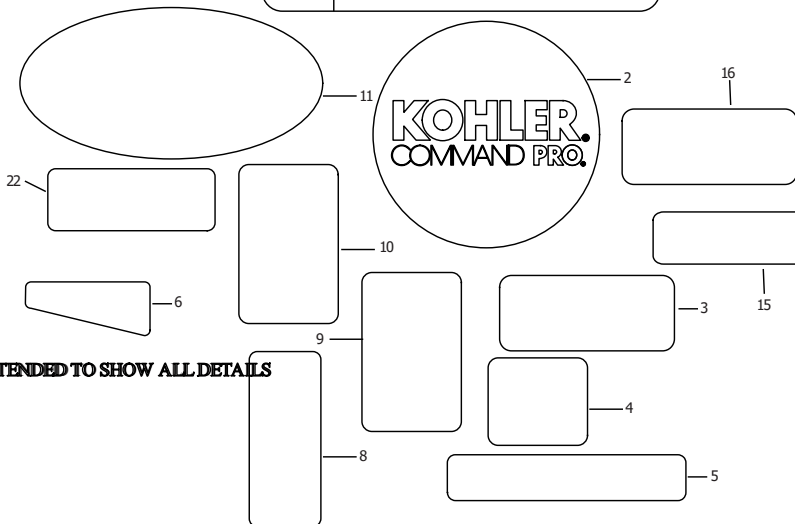
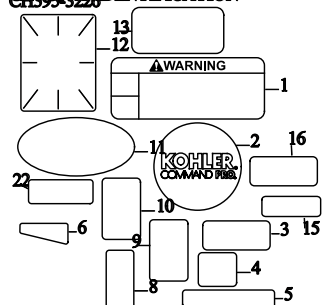
12	17 046 01-S	➔ See pos. POST, MUFFLER BRACKET	1
14	25 086 564-S	SCREW, M5 X 8	4
26	17 041 50-S	GASKET, MUFFLER	1

Identification

GROUP 12-IDENTIFICATION
CH395-3226



GROUP 12-IDENTIFICATION
CH395-3226



ILLUSTRATIONS ARE REPRESENTATIVE - NOT INTENDED TO SHOW ALL DETAILS

ILLUSTRATIONS ARE REPRESENTATIVE - NOT INTENDED TO SHOW ALL DETAILS

Identification - Group: 12

Pos	Kit	Included in	Part #	Description	Note	QTY	Tech info
1			17 113 16-S	DECAL, WARNING		1	
2			17 113 124-S	LABEL, RECOIL 75MM		1	
3			25 113 74-S	LABEL, CANADIAN COMPLIANCE		1	
4			17 113 25-S	DECAL, BASE ARROW		1	
5			25 113 56-S	DECAL, THROTTLE		1	


6	17 113 81-S	DECAL, 9.5 HP/277cc/CH395	1
8	25 113 84-S	DECAL, FUEL/CHOKE - ON/OFF	1
9	17 113 23-S	DECAL, SUN	1
10	17 113 24-S	DECAL, SNOW FLAKE	1
11	17 113 75-S	DECAL, QUAD CLEAN SILVER	1
12	25 113 79-S	LABEL, CLEAR LAMINATION	1
13	25 113 75-S	LABEL, MAINTENANCE (CKY)	1
15	17 113 88-S	DECAL, ENGINE AND FUEL SHUT OFF	1
16	25 113 76-S	DECAL, ETHANOL WARNING	1

Blocks,Gasket Set,Replacement

KOHLER
Engines
GROUP 14
**BLOCKS, GASKET SET,
AND
REPLACEMENT ENGINE**

KOHLER
Engines
GROUP 14
**BLOCKS, GASKET SET,
AND
REPLACEMENT ENGINE**

Blocks,Gasket Set,Replacement - Group: 14


Pos	Kit	Included in	Part #	Description	Note	QTY	Tech info
NI			17 755 43-S	KIT, GASKET SET (CH 395)		1	

Maintenance-Fast Moving Parts

KOHLER
 Engines
 GROUP 17
 MAINTENANCE
 FAST MOVING PARTS

KOHLER
 Engines
 GROUP 17
 MAINTENANCE
 FAST MOVING PARTS

Maintenance-Fast Moving Parts - Group: 17

Pos	Kit	Included in	Part #	Description	Note	QTY	Tech info
NI			17 050 20-S	FILTER, FUEL TANK		1	
NI			17 050 23-S	KIT, FUEL SCREEN		1	
NI			17 083 15-S	ELEMENT, PRE-CLEANER		1	
NI			17 083 32-S	ELEMENT, AIR FILTER		1	
NI			25 132 19-S	SPARK PLUG		1	






NI	25 357 72-S	OIL, QUART, 10W50 KOHLER PRO	1
----	-------------	------------------------------	---











Owners/Service Manual

KOHLER
Engines
GROUP 18
OWNER/SERVICE
MANUALS

KOHLER
Engines
GROUP 18
OWNER/SERVICE
MANUALS

Owners/Service Manual - Group: 18

Pos	Kit	Included in	Part #	Description	Note	QTY	Tech info
NI			17 590 28	OM, CH245-CH440DF AMERICAS/ROW		1	
NI			17 590 30	OM, CH245-CH440DF GLOBAL		1	
NI			17 690 01	SM, CH270TF,CH395TF,CH440TF ENGLISH		1	
NI			17 690 03	SM, CH270TF,CH395TF,CH440TF SPANISH		1	
NI			17 690 04	SM, CH270TF,CH395TF,CH440TF FR CAN		1	

NI	17 690 05	SM, CH270TF,CH395TF,CH440TF ITALIAN	1	
NI	17 690 06	SM, CH270TF,CH395TF,CH440TF CHINESE	1	
NI	17 690 07	SM, CH270TF,CH395TF,CH440TF RUSSIAN	1	
NI	17 690 08	SM, CH270TF,CH395TF,CH440TF GERMAN	1	
NI	17 690 09	SM, CH270TF,CH395TF,CH440TF POLISH	1	
NI	17 690 10	SM, CH270TF,CH395TF,CH440TF TURKISH	1	
NI	17 690 11	SM, CH270TF,CH395TF,CH440TF KOREAN	1	
NI	17 690 12	SM, CH270TF,CH395TF,CH440TF PORTUGUESE	1	
NI	17 690 13	SM, CH270TF,CH395TF,CH440TF INDONESIAN	1	
NI	25 590 44	WARRANTY, COMBINED 2022-2024 MY	1	

Sensors

KOHLER
Engines
GROUP 19
SENSORS

KOHLER
Engines
GROUP 19
SENSORS

Sensors - Group: 19



Pos	Kit	Included in	Part #	Description	Note	QTY	Tech info
NI			17 099 05-S	SWITCH, OIL SENSOR ASSEMBLY		1	


Sealant, Thread Lock, Lubricate

KOHLER
Engines
GROUP 20
**SEALANT,
THREAD LOCK,
AND LUBRICANT**

KOHLER
Engines
GROUP 20
**SEALANT,
THREAD LOCK,
AND LUBRICANT**

Sealant, Thread Lock, Lubricate - Group: 20

Pos	Kit	Included in	Part #	Description	Note	QTY	Tech info
NI			25 357 03-S	QUART OF OIL - SAE30		1	
NI			25 357 06-S	QUART OF OIL - 10W30-USE 25 357 65-S		1	
NI			25 357 12-S	LUBRICANT, GREASE (SPLINE)		1	
NI			25 357 14-S	LUBRICANT, CAMSHAFT		1	
NI			25 357 41-S	20W50 OIL (QUART)-USE 25 357 68-S		1	

NI	25 357 72-S	OIL, QUART, 10W50 KOHLER PRO	1	
NI	25 357 75-S	OIL, 5 QT, 10W50 KOHLER PRO	1	
NI	25 597 05-S	SEALANT(LOCTITE 620)-(#2559711S)	1	
NI	25 597 06-S	SEALANT(LOCTITE 222 RETAIN CMPND 0.5ML)	1	
NI	25 597 07-S	SEALANT(LOCTITE INSTANT GASKET 4 OZ)	1	
NI	52 357 01-S	LUBRICANT, BENDIX STARTR-DISCONTINUED	1	