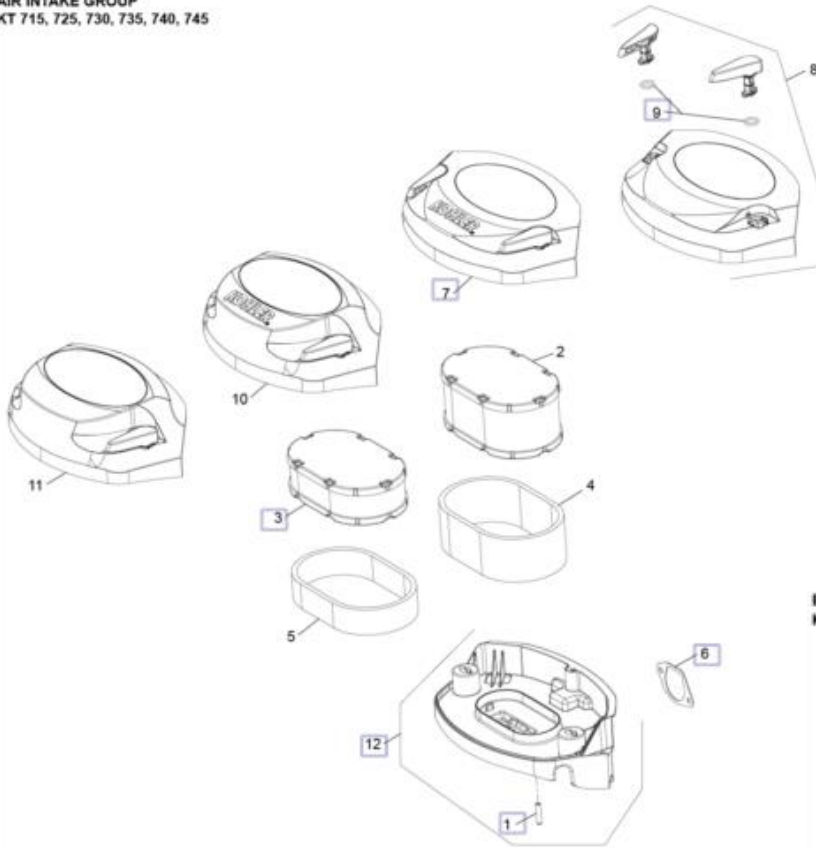


KT745-3013

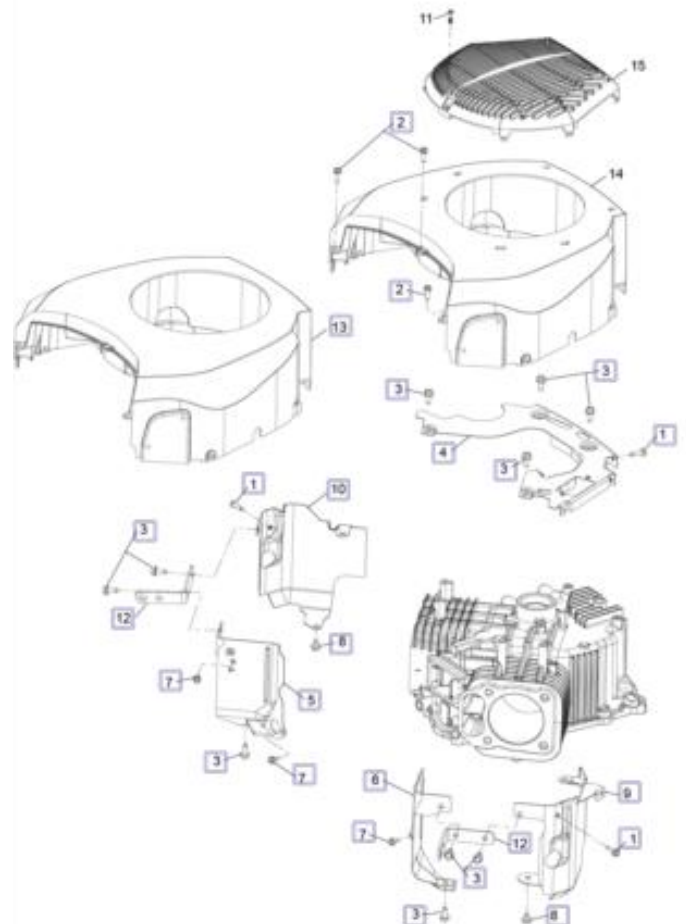
Idle Speed 1600 RPM/High Speed 3500 RPM,  
HOP

**AIR INTAKE GROUP**  
KT 715, 725, 730, 735, 740, 745



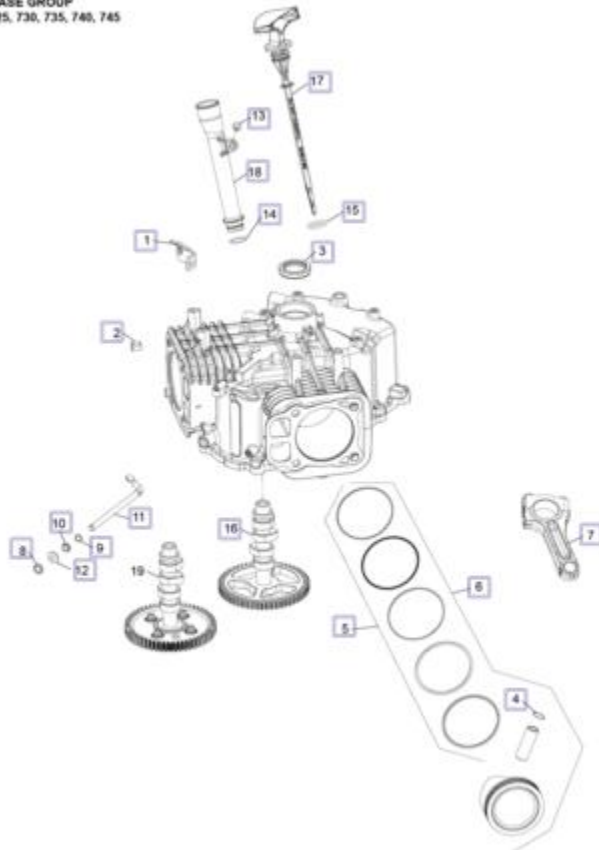
Ref #	Part #	Description	Qty
1	<a href="#">25 173 09-S</a>	CAP, MASKING	1
3	<a href="#">32 083 09-S</a>	ELEMENT, AIR FILTER	1
6	<a href="#">32 041 04-S</a>	GASKET, AIR CLEANER B...	1
7	<a href="#">32 096 20-S</a>	COVER ASSEMBLY, AIR C...	1
9	<a href="#">25 153 15-S</a>	O-RING	2
12	<a href="#">32 094 13-S</a>	BASE ASSEMBLY, AIR CL...	1

**BLOWER HOUSING GROUP**  
KT715,725,730,735,740,745



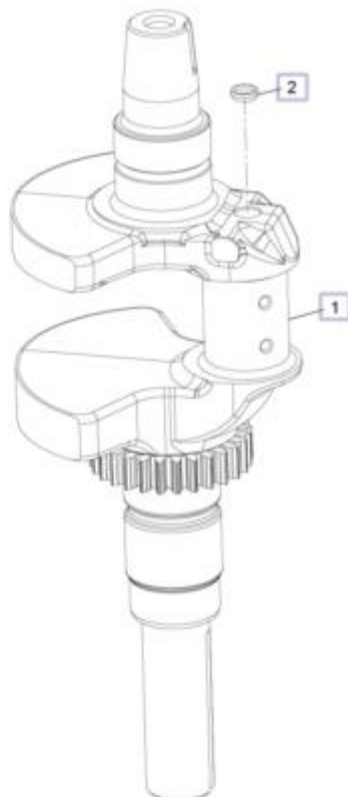
Ref #	Part #	Description	Qty
1	<a href="#">25 086 399-S</a>	SCREW, THREAD FORMI...	6
2	<a href="#">25 086 450-S</a>	SCREW, HI-LOW	3
3	<a href="#">25 086 397-S</a>	SCREW, THREAD FORMI...	8
4	<a href="#">32 146 15-S</a>	PLATE, BACKING	1
5	<a href="#">32 063 19-S</a>	BAFFLE, VALLEY #1	1
6	<a href="#">32 063 20-S</a>	BAFFLE, VALLEY #2	1
7	<a href="#">25 086 400-S</a>	SCREW, THREAD FORMI...	2
8	<a href="#">25 086 406-S</a>	SCREW, THREAD FORMI...	2
9	<a href="#">32 063 17-S</a>	BAFFLE, LEFT BARREL	1
10	<a href="#">32 063 18-S</a>	BAFFLE, RIGHT BARREL	1
12	<a href="#">32 445 01-S</a>	STRAP, LIFTING	2
13	<a href="#">32 027 16-S</a>	HOUSING, BLOWER - USE...	1

CRANKCASE GROUP  
KT715, 725, 730, 735, 740, 745



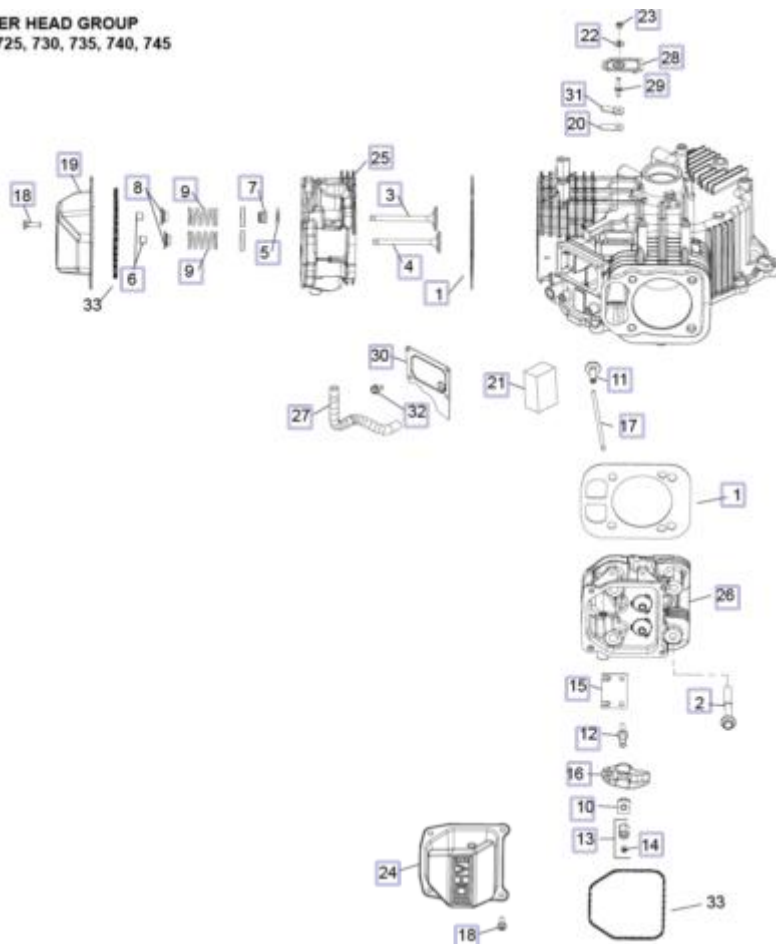
Ref #	Part #	Description	Qty
1	<a href="#">24 126 243-S</a>	BRACKET, OIL FILL TUBE	1
2	<a href="#">24 380 16-S</a>	PIN, LOCATING	6
3	<a href="#">24 032 19-S</a>	SEAL, OIL (HELIX LIP)	1
4	<a href="#">24 018 01-S</a>	RETAINER, PISTON PIN	4
5	<a href="#">25 108 01-S</a>	RING SET(STD)STYLE B-1....	2
5	<a href="#">25 108 02-S</a>	RING SET(.08)STYLE B-1....	2
5	<a href="#">25 108 03-S</a>	RING SET(.25)STYLE B-1....	2
5	<a href="#">25 108 04-S</a>	RING SET(.50)STYLE B-1....	2
6	<a href="#">25 874 14-S</a>	PISTON W/RINGS (STYLE ...	2
6	<a href="#">25 874 18-S</a>	PISTON W/RINGS (STYLE ...	2
6	<a href="#">25 874 19-S</a>	PISTON W/RINGS (STYLE ...	2
6	<a href="#">25 874 20-S</a>	PISTON W/RINGS (STYLE ...	2
7	<a href="#">24 067 28-S</a>	ROD, ASSY CONNECTING...	2
7	<a href="#">24 067 29-S</a>	ROD ASSY, CONNECTING...	2
8	<a href="#">24 018 09-S</a>	RETAINER, RING	1
9	<a href="#">24 468 15-S</a>	WASHER, FLAT 11/32"	1
10	<a href="#">28 032 09-S</a>	SEAL, GOVERNOR CROS...	1
11	<a href="#">24 144 38-S</a>	SHAFT, GOVERNOR CRO...	1
12	<a href="#">M-931010-S</a>	WASHER, FLAT 9 MM	1
13	<a href="#">25 086 398-S</a>	SCREW, THREAD FORMI...	1
14	<a href="#">12 153 07-S</a>	O-RING	1
15	<a href="#">25 153 09-S</a>	O-RING	1
16	<a href="#">32 010 07-S</a>	CAMSHAFT ASSEMBLY	1
17	<a href="#">32 038 12-S</a>	DIPSTICK ASSEMBLY	1
18	<a href="#">32 123 14-S</a>	TUBE ASSEMBLY, OIL FILL	1

CRANKSHAFT GROUP:  
KT710,715,725,730,735,740,745



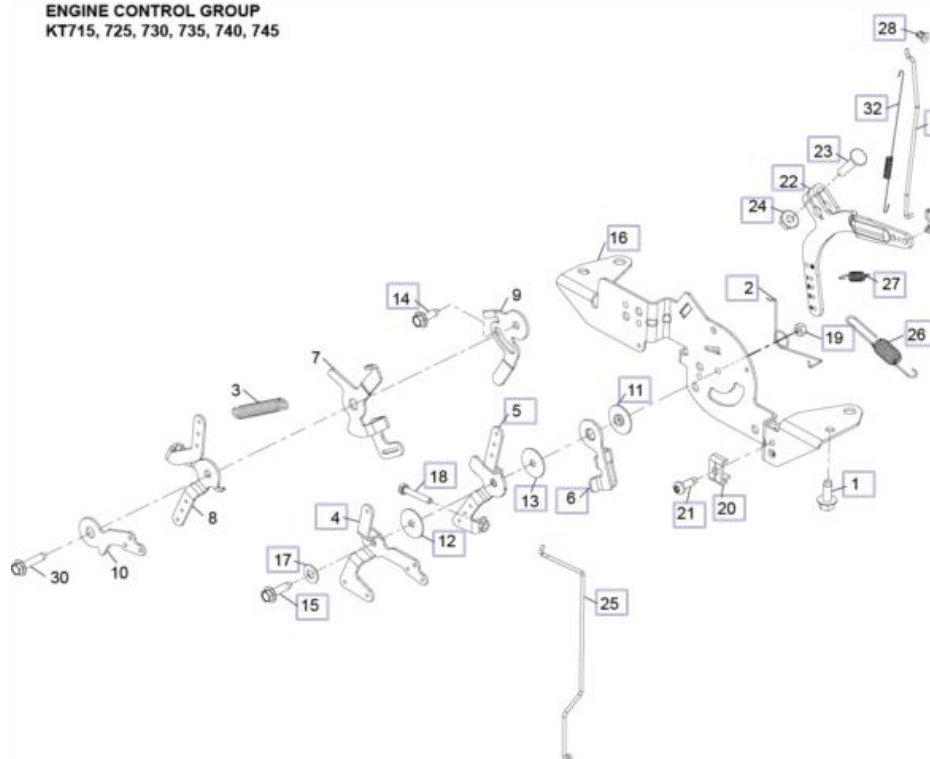
Ref #	Part #	Description	Qty
1	<a href="#">16 014 12-S</a>	CRANKSHAFT ASSY (1.00...	1
2	<a href="#">52 139 09-S</a>	PLUG, CUP	1

**CYLINDER HEAD GROUP**  
KT715, 725, 730, 735, 740, 745



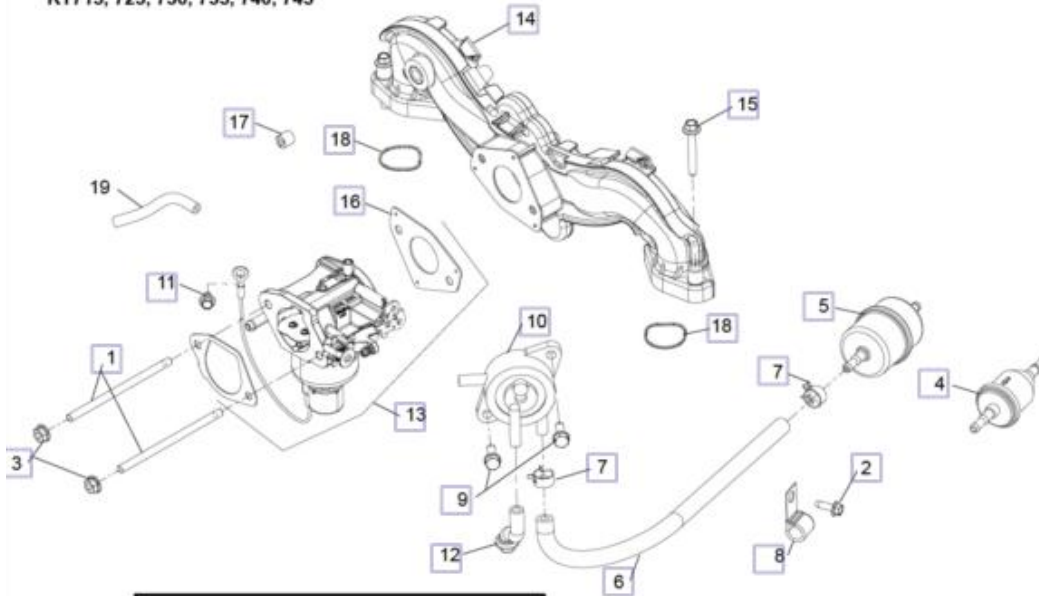
Ref #	Part #	Description	Qty
1	<a href="#">32 841 02-S</a>	KIT, CYLINDER HEAD GA...	2
2	<a href="#">62 086 08-S</a>	SCREW, FLG M10X1.5X90	8
3	<a href="#">32 017 01-S</a>	VALVE, INTAKE	2
4	<a href="#">32 016 01-S</a>	VALVE, EXHAUST	2
5	<a href="#">275067-S</a>	SPACER (.010")	2
6	<a href="#">12 755 03-S</a>	KIT, RETAINER	8
7	<a href="#">25 032 14-S</a>	SEAL, VALVE BAND	2
8	<a href="#">25 173 28-S</a>	CAP, VALVE SPRING	4
9	<a href="#">32 089 05-S</a>	SPRING, VALVE	4
10	<a href="#">25 599 01-S</a>	PIVOT, ROCKER ARM	4
11	<a href="#">32 019 02-S</a>	TAPPET	4
12	<a href="#">32 072 04-S</a>	STUD, ROCKER	4
13	<a href="#">32 100 05-S</a>	HEX NUT ASSEMBLY	4
14	<a href="#">25 086 168-S</a>	SCREW, SET	4
15	<a href="#">32 146 09-S</a>	PLATE, GUIDE	2
16	<a href="#">32 186 03-S</a>	ARM, ROCKER	4
17	<a href="#">32 411 04-S</a>	ROD, PUSH	4
18	<a href="#">25 086 374-S</a>	SCREW, PAN HEAD	8
19	<a href="#">25 096 09-S</a>	COVER, ROCKER STAMP...	1
20	<a href="#">12 402 02-S</a>	REED, BREATHER	1
21	<a href="#">32 050 06-S</a>	FILTER, BREATHER	1
22	<a href="#">32 468 01-S</a>	WASHER, SEALING	1
23	<a href="#">M-547050-S</a>	NUT, LOCK M5X.8	1
24	<a href="#">25 096 11-S</a>	COVER, ROCKER STAMP...	1
25	<a href="#">32 318 21-S</a>	HEAD, ASSEMBLY CYLIN...	1
26	<a href="#">32 318 22-S</a>	HEAD, ASSEMBLY CYLIN...	1
27	<a href="#">25 326 62-S</a>	HOSE, BREATHER	1
28	<a href="#">32 096 16-S</a>	COVER, BREATHER REED	1
29	<a href="#">32 072 05-S</a>	STUD	1
30	<a href="#">16 096 02-S</a>	COVER, BREATHER MEDIA	1
31	<a href="#">66 018 04-S</a>	RETAINER, REED	1
32	<a href="#">25 086 400-S</a>	SCREW, THREAD FORMI...	4

**ENGINE CONTROL GROUP**  
KT715, 725, 730, 735, 740, 745



Ref #	Part #	Description	Qty
1	<a href="#">25 086 397-S</a>	SCREW, THREAD FORMI...	4
2	<a href="#">24 089 03-S</a>	SPRING, CHOKE RETURN	1
4	<a href="#">24 090 05-S</a>	LEVER, CHOKE	1
5	<a href="#">24 090 13-S</a>	LEVER, THROTTLE CONT...	1
6	<a href="#">24 090 47-S</a>	LEVER, THROTTLE ACTU...	1
11	<a href="#">24 112 27-S</a>	SPACER, CONTROL ASSE...	1
12	<a href="#">24 468 01-S</a>	WASHER, FLAT 5.5 MM	1
13	<a href="#">24 468 20-S</a>	WASHER, FLAT 5 MM	1
14	<a href="#">25 086 398-S</a>	SCREW, THREAD FORMI...	1
15	<a href="#">25 086 399-S</a>	SCREW, THREAD FORMI...	1
16	<a href="#">32 126 04-S</a>	BRACKET, CONTROL	1
17	<a href="#">41 468 03-S</a>	WASHER, SPRING 1/4"	1
18	<a href="#">M-403025-S</a>	SCREW, SLT HD CAP M4X...	1
19	<a href="#">M-547050-S</a>	NUT, LOCK M5X.8	1
20	<a href="#">12 237 01-S</a>	CLAMP, CABLE	2
21	<a href="#">25 086 405-S</a>	SCREW, THREAD FORMI...	2
22	<a href="#">24 090 57-S</a>	LEVER, GOVERNOR - (#2...	1
23	<a href="#">24 211 03-S</a>	BOLT, RD HD SQ NECK M...	1
24	<a href="#">M-641060-S</a>	NUT, FLG M6X1.0	1
25	<a href="#">24 079 22-S</a>	LINKAGE, CHOKE	1
26	<a href="#">24 089 18-S</a>	SPRING, GOVERNOR (PU...	1
27	<a href="#">24 089 55-S</a>	SPRING, GOVERNED IDLE	1
28	<a href="#">25 158 08-S</a>	BUSHING, LINKAGE RETA...	1
29	<a href="#">25 158 11-S</a>	BUSHING, THROTTLE LIN...	1
31	<a href="#">32 079 01-S</a>	LINKAGE, THROTTLE	1
32	<a href="#">32 089 07-S</a>	SPRING, LINKAGE	1

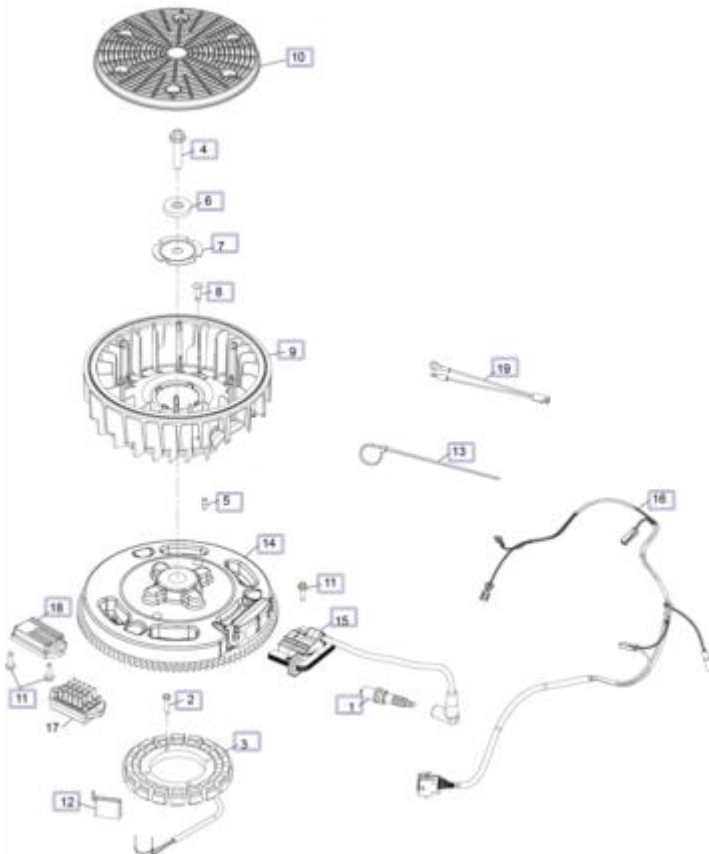
**FUEL SYSTEM GROUP**  
KT715, 725, 730, 735, 740, 745



Ref #	Part #	Description	Qty
1	<a href="#">25 072 25-S</a>	STUD	2
2	<a href="#">25 086 398-S</a>	SCREW, THREAD FORMI...	1
3	<a href="#">M-641060-S</a>	NUT, FLG M6X1.0	2
4	<a href="#">25 050 22-S</a>	FILTER, FUEL 51 MICRON ...	1
5	<a href="#">24 050 13-S</a>	FILTER, FUEL	1
6	<a href="#">25 111 34-S</a>	HOSE, LW PERM. FUEL 24....	1
7	<a href="#">25 237 37-S</a>	CLAMP SPRING HOSE	4
8	<a href="#">47 154 01-S</a>	CLIP, CABLE	1
9	<a href="#">24 086 12-S</a>	SCREW, TAP M6X1.7X18	2
10	<a href="#">24 393 16-S</a>	PUMP, FUEL	1
11	<a href="#">25 086 400-S</a>	SCREW, THREAD FORMI...	1
12	<a href="#">32 326 08-S</a>	HOSE, PULSE PUMP	1
13	<a href="#">16 853 01-S</a>	KEIHIN CARB KIT COMPL...	1
13	<a href="#">32 853 50-S</a>	WALBORO CARB KIT CO... Also order 32 518 01-S (Ju...	1
14	<a href="#">24 164 91-S</a>	KIT, INTAKE MANIFOLD	1
15	<a href="#">M-651040-S</a>	SCREW, FLG M6X1.0X40	4
16	<a href="#">24 041 52-S</a>	GASKET, CARBURETOR	1
17	<a href="#">25 139 60-S</a>	PLUG, CTSK PIPE 1/8"	1
18	<a href="#">24 153 27-S</a>	O-RING, INTAKE PORT	2

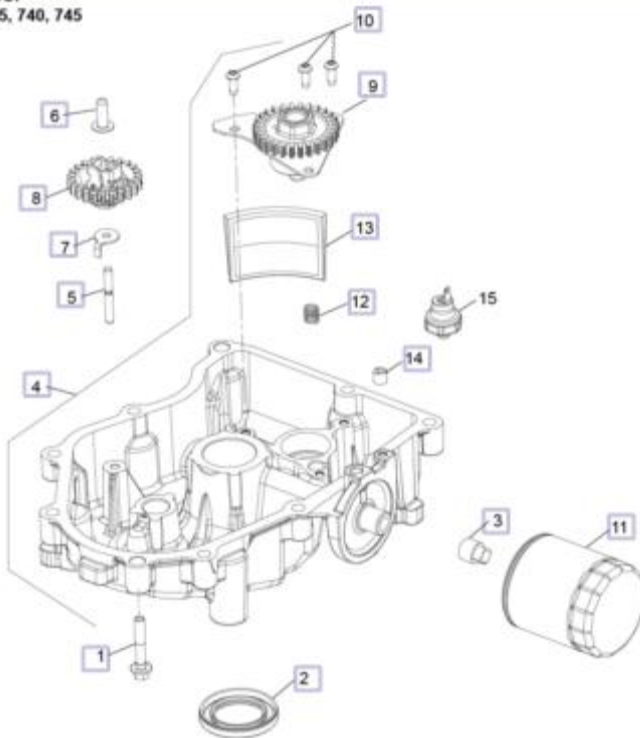
CLICK  IN PARTS LIST  
TO VIEW CARBURETOR  
REPAIR KITS

**IGNITION GROUP**  
KT715, 725, 730, 735, 740, 745



Ref #	Part #	Description	Qty
1	<a href="#">25 132 14-S</a>	SPARK PLUG, RFI	2
2	<a href="#">25 086 402-S</a>	SCREW, THREAD FORMI...	2
3	<a href="#">237878-S</a>	KIT, 15 / 20 AMP STATOR	1
4	<a href="#">25 086 361-S</a>	SCREW, HEX FLANGE	1
5	<a href="#">25 340 04-S</a>	KEY, SQUARE	1
6	<a href="#">25 468 09-S</a>	WASHER, FLAT	1
7	<a href="#">20 146 05-S</a>	PLATE, FAN MOUNTING	1
8	<a href="#">32 018 03-S</a>	RETAINER, FLYWHEEL FAN	2
9	<a href="#">32 157 04-S</a>	FAN	1
10	<a href="#">32 162 03-S</a>	SCREEN, GRASS	1
11	<a href="#">25 086 399-S</a>	SCREW, THREAD FORMI...	4
12	<a href="#">25 155 41-S</a>	CONNECTOR	1
13	<a href="#">25 454 03-S</a>	TIE, WIRE	1
14	<a href="#">32 025 21-S</a>	FLYWHEEL ASSEMBLY	1
15	<a href="#">32 584 07-S</a>	MODULE, MAGNETO DIGI...	2
16	<a href="#">32 176 33-S</a>	HARNES, WIRING ASSE...	1
18	<a href="#">41 403 10-S</a>	REGULATOR/RECTIFIER	1
19	<a href="#">32 518 02-S</a>	LEAD, JUMPER	1

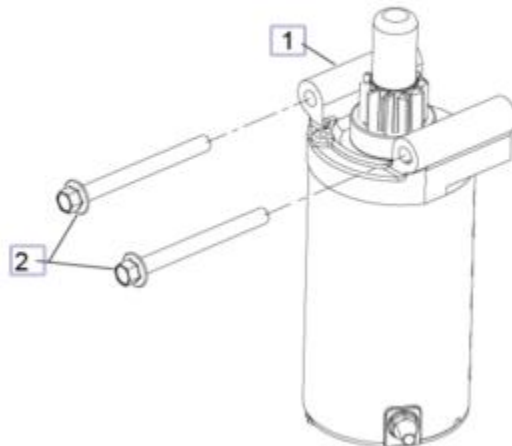
**LUBRICATION GROUP**  
KT715, 725, 730, 735, 740, 745



Ref #	Part #	Description	Qty
1	<a href="#">24 086 17-S</a>	SCREW, FLG M8X1.25X45	10
2	<a href="#">25 032 06-S</a>	SEAL, OIL	1
3	<a href="#">25 139 57-S</a>	PLUG, SQ HD PIPE 3/8"	2
4	<a href="#">32 199 17-S</a>	PAN ASSEMBLY, OIL	1
5	<a href="#">12 144 02-S</a>	SHAFT, GOVERNOR GEAR	1
6	<a href="#">12 380 01-S</a>	PIN, GOVERNOR REGULA...	1
7	<a href="#">24 448 02-S</a>	TAB, LOCKING	1
8	<a href="#">32 310 02-S</a>	KIT, GOVERNOR GEAR	1
9	<a href="#">32 393 18-S</a>	PUMP ASSEMBLY, OIL	1
10	<a href="#">25 086 414-S</a>	SCREW, BUTTON HEAD	3
11	<a href="#">12 050 01-S</a>	OIL FILTER	1
12	<a href="#">32 089 06-S</a>	SPRING, COMPRESSION	1
13	<a href="#">32 162 06-S</a>	SCREEN, OIL	1
14	<a href="#">25 139 60-S</a>	PLUG, CTSK PIPE 1/8"	1

**STARTING GROUP**  
KT715, 725, 730, 735, 740, 745

Ref #	Part #	Description	Qty
1	<a href="#">32 098 04-S</a>	<b>ELECTRIC STARTER-BEN...</b>	<b>1</b>
2	<a href="#">M-851080-S</a>	SCREW, FLG M8X1.25X80	2



**KOHLER**.ENGINES

KOHLER DE MÉXICO S.A. DE C.V.  
NORTE 45 No. 772 INDUSTRIAL VALLEJO  
C.P. 02300 MÉXICO, D.F.  
Tel.(55) 36 89 13 00 y 55 87 07 11  
Fax.(55) 53 68 20 87 y 53 68 46 75

Elaborado por: DMA/Soporte Técnico