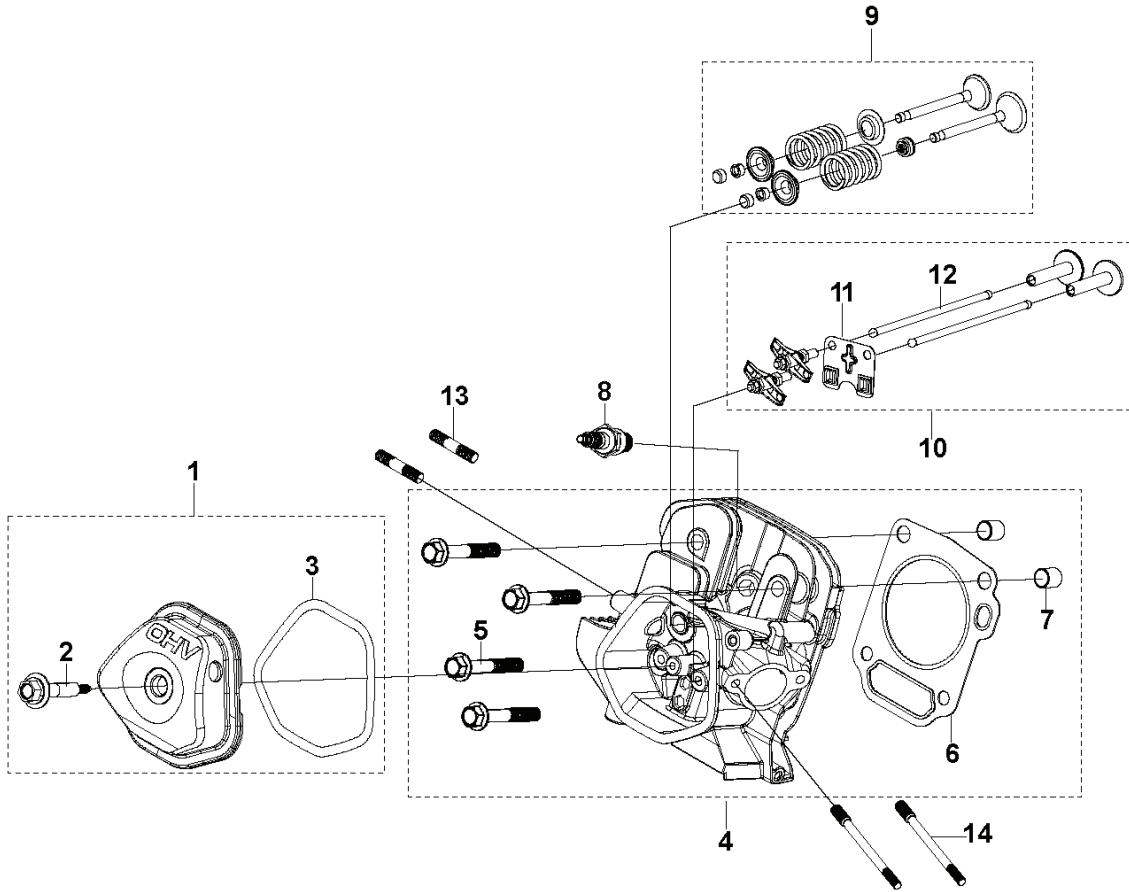


CATÁLOGO DE PIEZAS DE REPUESTO
: HUSQVARNA HH 270MP

Lista de piezas de repuesto

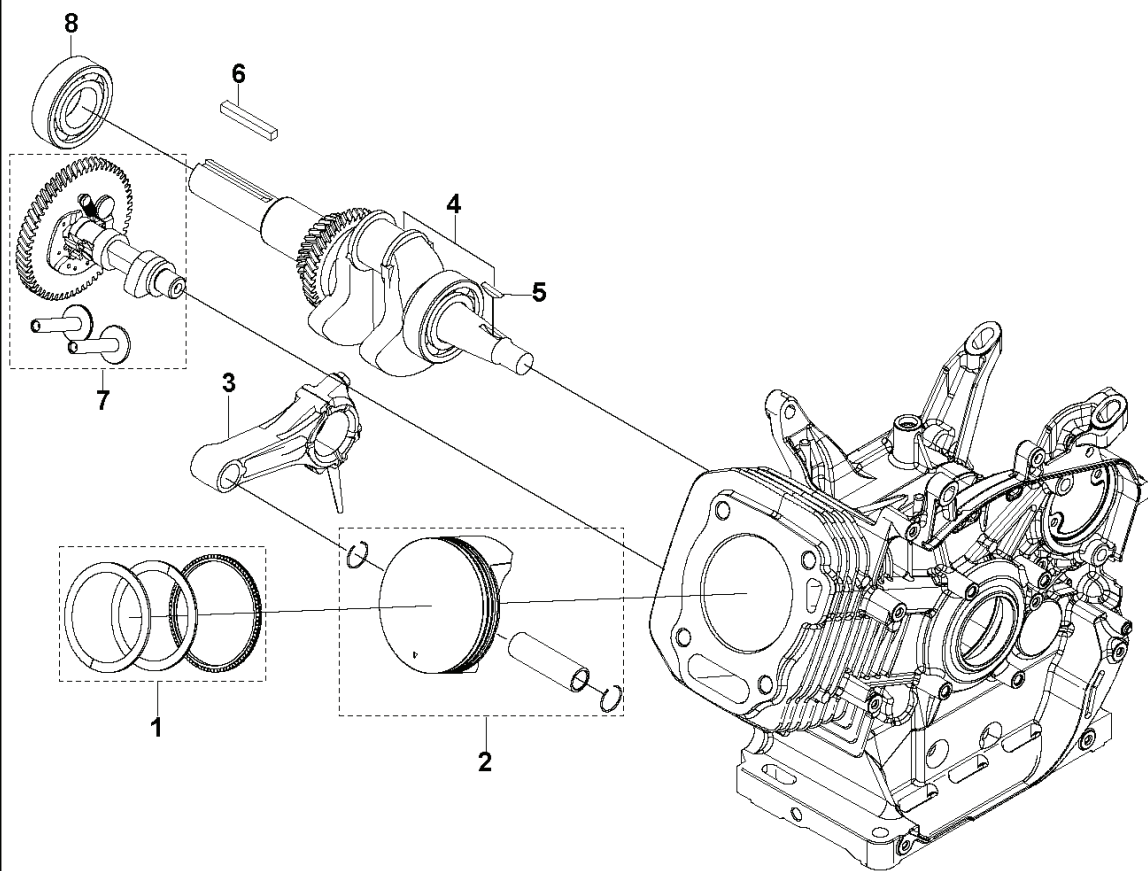
LISTA DE PIEZAS DE REPUESTO

A HH 270MP / HH 270OB
CYLINDER HEAD ASSY



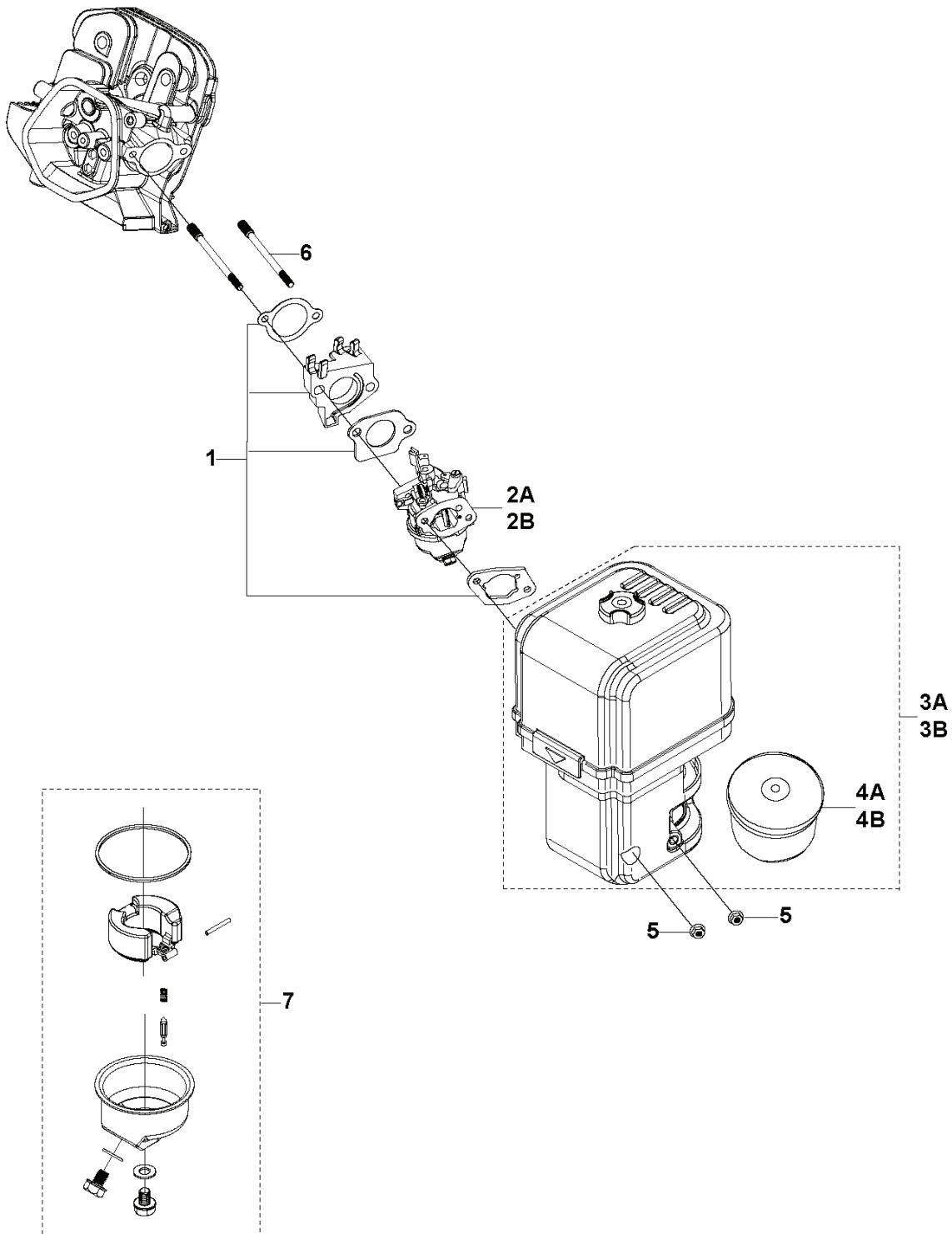
| PXM_REF | PXM_PARTNO | DESCRIPCIÓN | PXM_REMARK | | |
|---------|------------|----------------------|------------------------------|---|--|
| 1 | 599349254 | CUBIERTA DE CILINDRO | CYLINDER HEAD COVER KIT | 1 | |
| 2 | 900000002 | DUMMY PART | PUSH ROD SET | 1 | |
| 3 | 599349255 | JUNTA | CYLINDER HEAD COVER GASKET | 1 | |
| 4 | 599349304 | CYLINDER HEAD KIT | | 1 | |
| 5 | 900000002 | DUMMY PART | PUSH ROD SET | 1 | |
| 6 | 599349305 | JUNTA | CYLINDER HEAD GASKET | 1 | |
| 7 | 599349201 | CLAVIJA | LOCATION PIN - MULTIPACK: 20 | 1 | |
| 8 | 590844201 | BUJÍA | HQT-7 | 1 | |
| 9 | 599349308 | JUEGO DE VÁLVULA | | 1 | |
| 10 | 599349307 | JUEGO DE VÁLVULA | ROCKER ARM KIT | 1 | |
| 11 | 529458601 | PLACA | PUSH ROD GUIDE PLATE | 1 | |
| 12 | 900000002 | DUMMY PART | PUSH ROD SET | 1 | |
| 13 | 599349259 | PASADOR DE HORQUILLA | T110: M8 L=54 - MULTIPACK: 2 | 1 | |
| 14 | 599349306 | PASADOR DE HORQUILLA | MULTIPACK: 2 | 1 | |

B HH 270MP / HH 270OB
PISTON & CRANKSHAFT



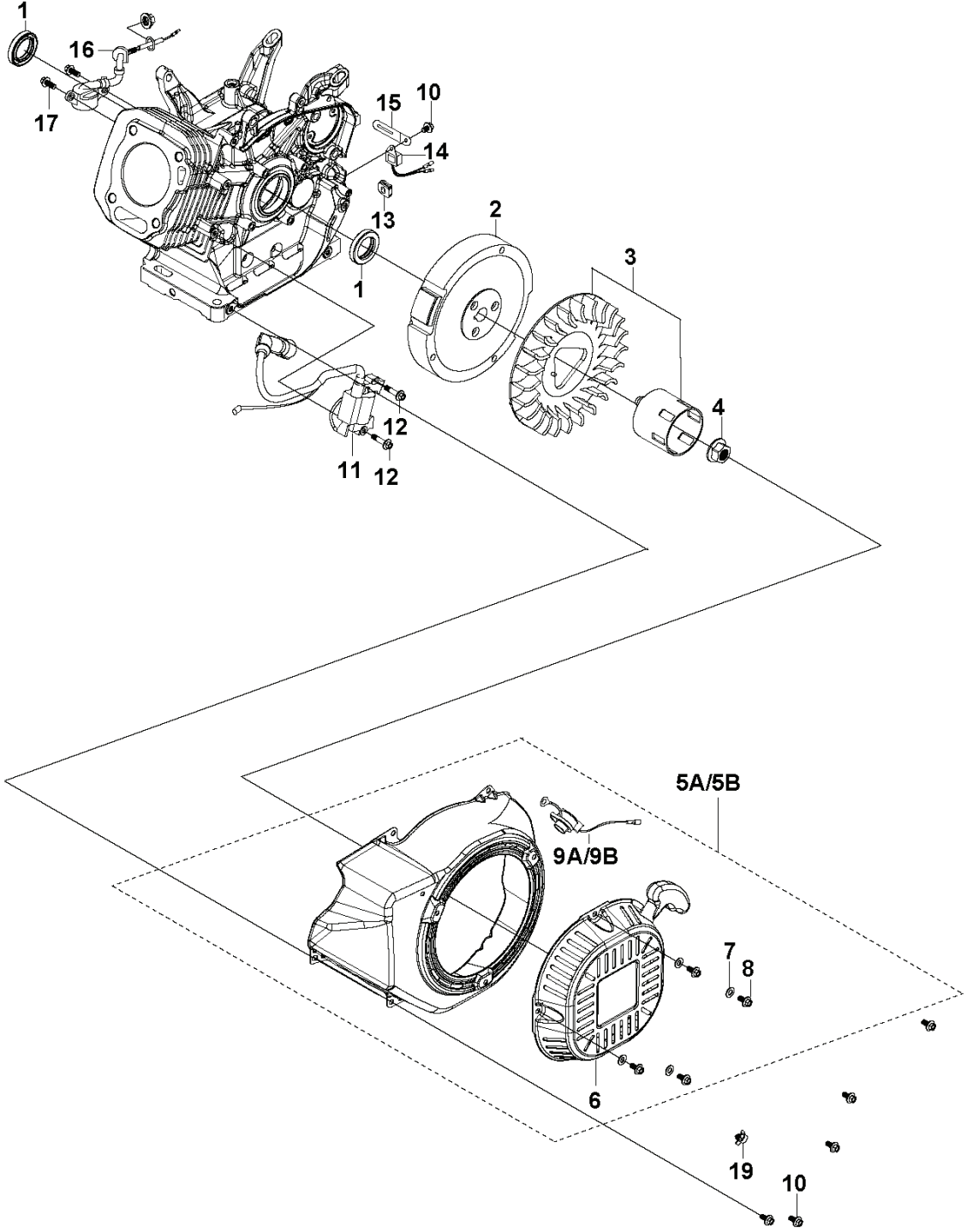
| PXM_REF | PXM_PARTNO | DESCRIPCIÓN | PXM_REMARK | | |
|---------|------------|---------------------|---------------|---|--|
| 1 | 599349312 | SEGMENTO DE PISTÓN | SET | 1 | |
| 2 | 599349313 | PISTÓN COMPLETO | | 1 | |
| 3 | 599349311 | BIELA | | 1 | |
| 4 | 599349310 | CIGÜEÑAL | | 1 | |
| 5 | 900000002 | DUMMY PART | | 1 | |
| 6 | 599349264 | TECLA | MULTIPACK: 10 | 1 | |
| 7 | 599349314 | ÁRBOL DE LEVAS | KIT | 1 | |
| 8 | 599349309 | RODAMIENTO DE BOLAS | | 1 | |

C HH 270MP / HH 270OB
CARBURETTOR & AIR FILTER



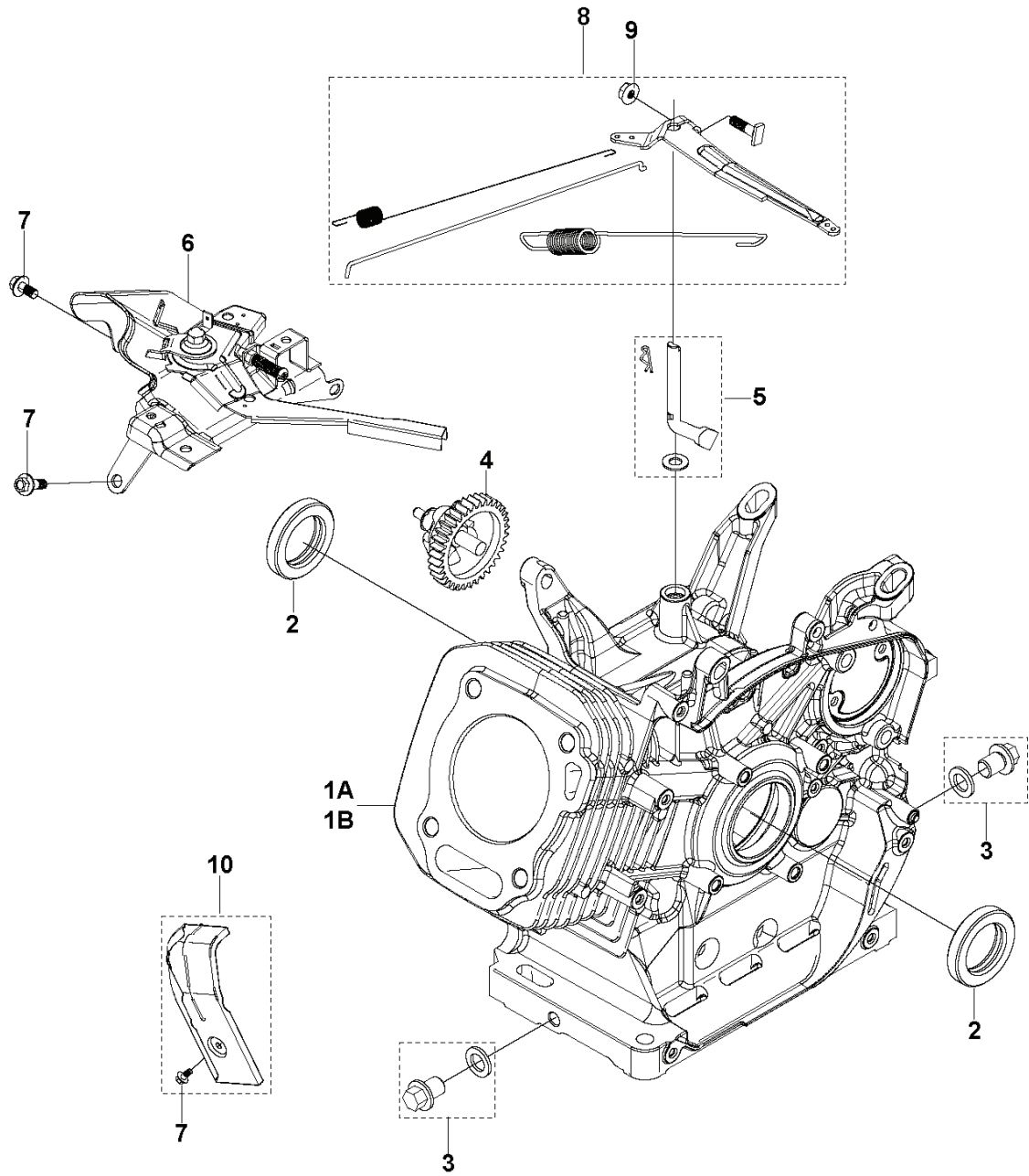
| PXM_REF | PXM_PARTNO | DESCRIPCIÓN | PXM_REMARK | | |
|---------|------------|-------------------------|------------------------------------|---|--|
| 1 | 599349315 | JUEGO DE JUNTAS | CARBURETTOR GASKET KIT | 1 | |
| 2 | 599349316 | CARBURADOR | FOR ENGINE: 970505601 | 1 | |
| 2 | 599349317 | CARBURADOR | FOR ENGINE: 970505701 | 1 | |
| 3 | 599349318 | CONJUNTO FILTRO DE AIRE | FOR ENGINE: 970505601 | 1 | |
| 3 | 599349319 | CONJUNTO FILTRO DE AIRE | FOR ENGINE: 970505701 | 1 | |
| 4 | 599349321 | FILTRO DE AIRE | ELEMENT - FOR ENGINE: 970505701 | 1 | |
| 4 | 599349320 | FILTRO DE AIRE | ELEMENT - FOR ENGINE: 970505601 | | |
| 5 | 599349346 | TUERCA | GB/T 6177.1: M6 | 1 | |
| 6 | 599349306 | PASADOR DE HORQUILLA | MULTIPACK: 2 | 1 | |
| 7 | 529878601 | JUEGO DE REPARACIÓN | CARBURETTOR REPAIR KIT | 1 | |

D HH 270MP / HH 270OB
FLYWHEEL & IGNITION MODULE



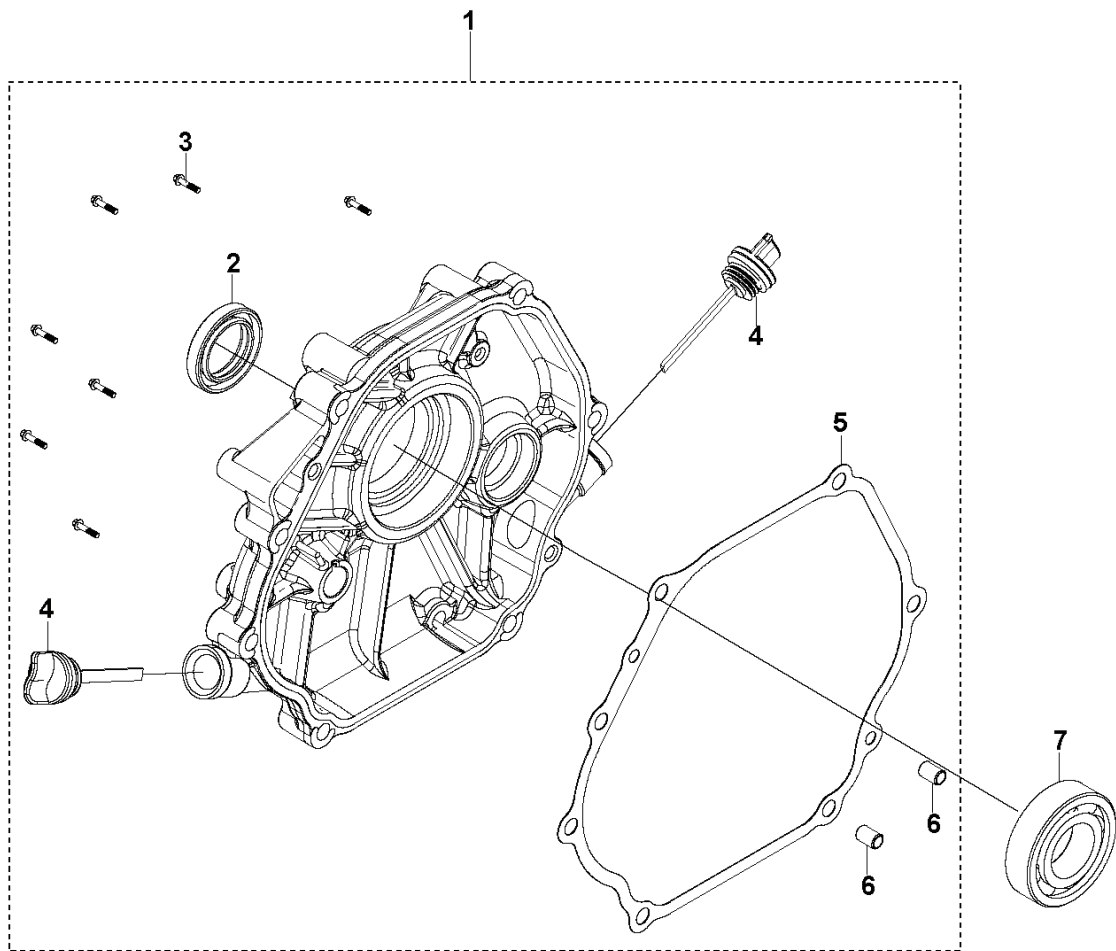
| PXM_REF | PXM_PARTNO | DESCRIPCIÓN | PXM_REMARK | | |
|---------|------------|------------------------------|---|---|--|
| 1 | 599349322 | SELLO | OIL SEAL | 1 | |
| 2 | 599349324 | VOLANTE | | 1 | |
| 3 | 599349325 | IMPULSOR | | 1 | |
| 4 | 599349280 | TUERCA | T110: M16×1.5 | 1 | |
| 5 | 599349327 | MECANISMO DE ARRANQUE COMPL. | FOR ENGINE: 970505601 | 1 | |
| 5 | 599349328 | MECANISMO DE ARRANQUE COMPL. | FOR ENGINE: 970505701 | 1 | |
| 6 | 599349326 | STARTER HANDLE ASSY | | 1 | |
| 7 | 900000002 | DUMMY PART | GB/T 16674.1: M6 L=12 | 1 | |
| 8 | 900000002 | DUMMY PART | GB/T 16674.1: M6 L=12 | 1 | |
| 9 | 599349234 | INTERRUPTOR | STOP SWITCH - FOR ENGINE: 970505701 | 1 | |
| 9 | 599349235 | INTERRUPTOR | STOP SWITCH - FOR ENGINE: 970505601 | 1 | |
| 10 | 900000002 | DUMMY PART | GB/T 16674.1: M6 L=12 | 1 | |
| 11 | 599349323 | BOBINA DE ENCENDIDO | | 1 | |
| 12 | 599349094 | PERNO | GB/T 16674.1: M6 L=25 | 1 | |
| 13 | 900000002 | DUMMY PART | GB/T 16674.1: M6 L=12 | 1 | |
| 14 | 599349219 | SENSOR | OIL LEVEL SENSOR - FOR ENGINE: 970505601 | 1 | |
| 15 | 900000002 | DUMMY PART | GB/T 16674.1: M6 L=12 | 1 | |
| 16 | 599349289 | SENSOR | OIL LEVEL SENSOR - FOR ENGINE: 970505601 | 1 | |
| 17 | 900000002 | DUMMY PART | GB/T 16674.1: M6 L=12 | 1 | |

E HH 270MP / HH 270OB
GOVERNOR



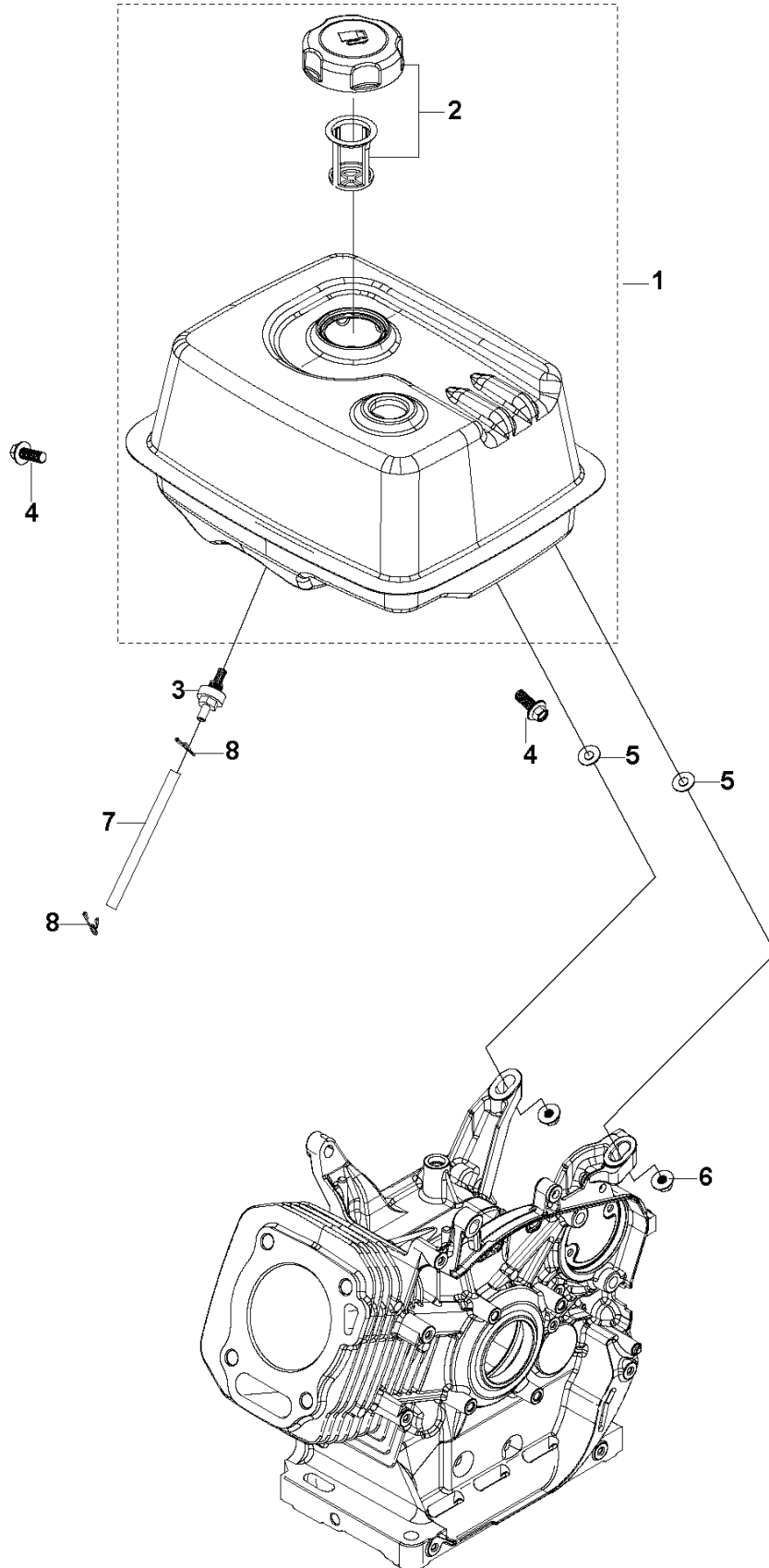
| PXM_REF | PXM_PARTNO | DESCRIPCIÓN | PXM_REMARK | | |
|---------|------------|--------------------------|--------------------------|---|--|
| 1 | 599349334 | CÁRTER | FOR ENGINE: 970505601 | 1 | |
| 1 | 599349335 | CÁRTER | FOR ENGINE: 970505701 | 1 | |
| 2 | 599349322 | SELLO | OIL SEAL | 1 | |
| 3 | 599349293 | TAPÓN DE ACEITE | | 1 | |
| 4 | 599349332 | ENGRANAJE | GOVERNOR GEAR | 1 | |
| 5 | 599349331 | BRAZO | SPEED REGULATING ARM KIT | 1 | |
| 6 | 599349330 | EMPUÑADURA DE ACELERADOR | | 1 | |
| 7 | 900000002 | DUMMY PART | GB/T 16674.1: M6 L=12 | 1 | |
| 8 | 599349329 | CONJUNTO DE MARIPOSA | | 1 | |
| 9 | 599349345 | TUERCA | GB/T 6177.1: M6 | 1 | |
| 10 | 599349333 | DEFLECTOR | AIR DEFLECTOR KIT | 1 | |

F HH 270MP / HH 270OB
CRANKCASE COVER



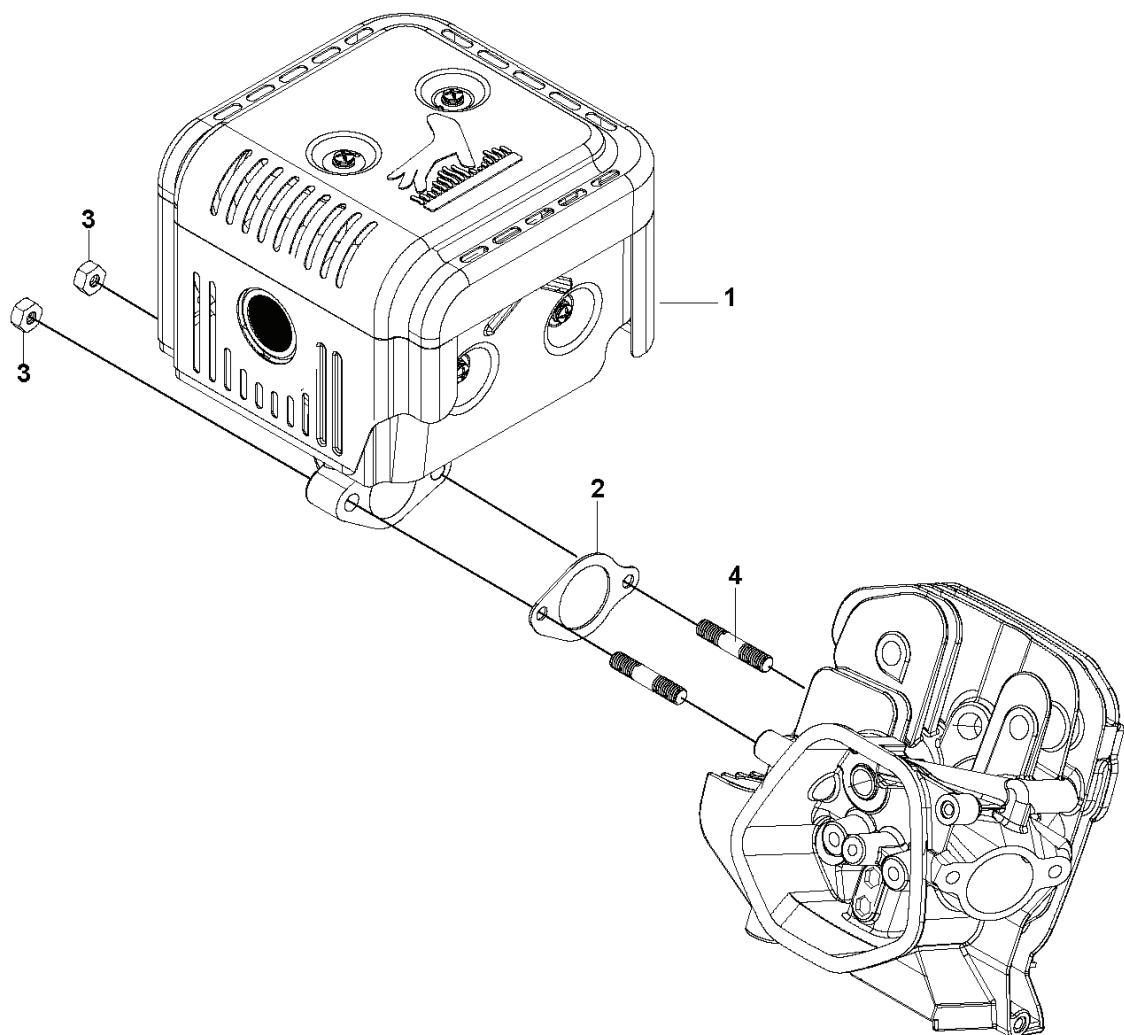
| PXM_REF | PXM_PARTNO | DESCRIPCIÓN | PXM_REMARK | | |
|---------|------------|---------------------------------|---------------------------------|---|--|
| 1 | 599349336 | CONJUNTO DE TAPA | CRANKCASE COVER | 1 | |
| 2 | 599349322 | SELLO | OIL SEAL | 1 | |
| 3 | 900000002 | DUMMY PART | | 1 | |
| 4 | 599349297 | VARILLA PARA EL NIVEL DE ACEITE | | 1 | |
| 5 | 599349337 | JUNTA | CRANKCASE COVER GASKET | 1 | |
| 6 | 599349295 | CLAVIJA | LOCATION PIN - MULTIPACK: 20 | 1 | |
| 7 | 599349309 | RODAMIENTO DE BOLAS | | 1 | |

G HH 270MP / HH 270OB
FUEL TANK



| PXM_REF | PXM_PARTNO | DESCRIPCIÓN | PXM_REMARK | |
|---------|------------|--------------------------------|---------------------------|---|
| 1 | 599349339 | DEPÓSITO DE COMBUSTIBLE COMPL. | | 1 |
| 2 | 599349153 | FUEL CAP | | 1 |
| 3 | 599349157 | FUEL SPOUT | | 1 |
| 4 | 599349301 | PERNO | GB/T 16674.1: M8 L=25 | 1 |
| 5 | 599349358 | JUNTA | MULTIPACK: 10 | 1 |
| 6 | 900000002 | DUMMY PART | | 1 |
| 7 | 599349352 | TUBO | | 1 |
| 8 | 599349357 | MORDAZA | HOSE CLIP - MULTIPACK: 20 | 1 |

H HH 270MP / HH 270OB
EXHAUST



| PXM_REF | PXM_PARTNO | DESCRIPCIÓN | PXM_REMARK | | |
|---------|------------|----------------------|-----------------------------------|---|--|
| 1 | 599349340 | SILENCIADOR | | 1 | |
| 2 | 599349303 | JUNTA | MUFFLER GASKET - MULTIPACK: 10 | 1 | |
| 3 | 599349195 | TUERCA | GB/T 6170: M8 | 1 | |
| 4 | 599349306 | PASADOR DE HORQUILLA | MULTIPACK: 2 | 1 | |