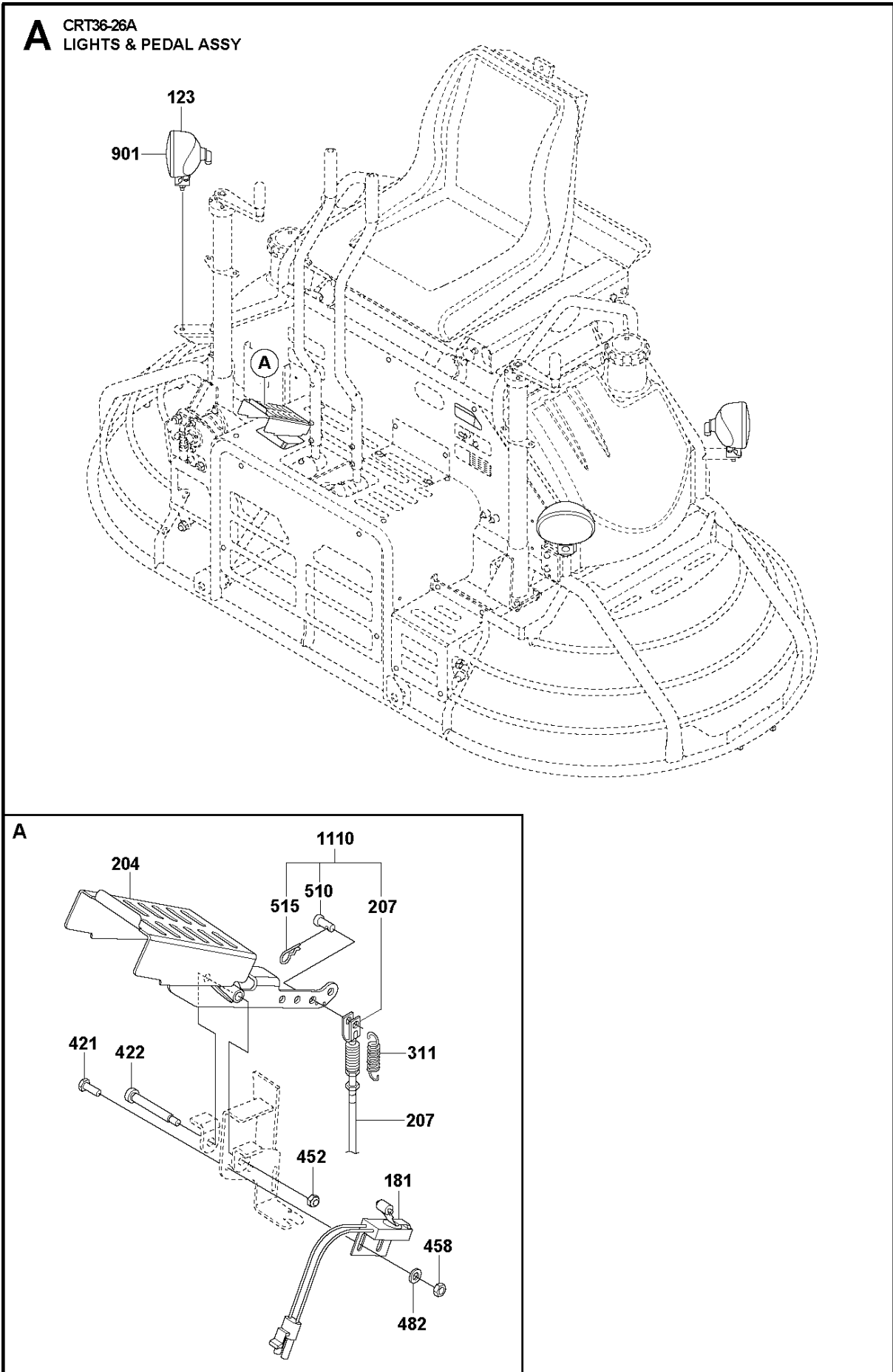




SPARE PARTS LIST

TROWELS

CRT36-26A, 970461401, 2020-02

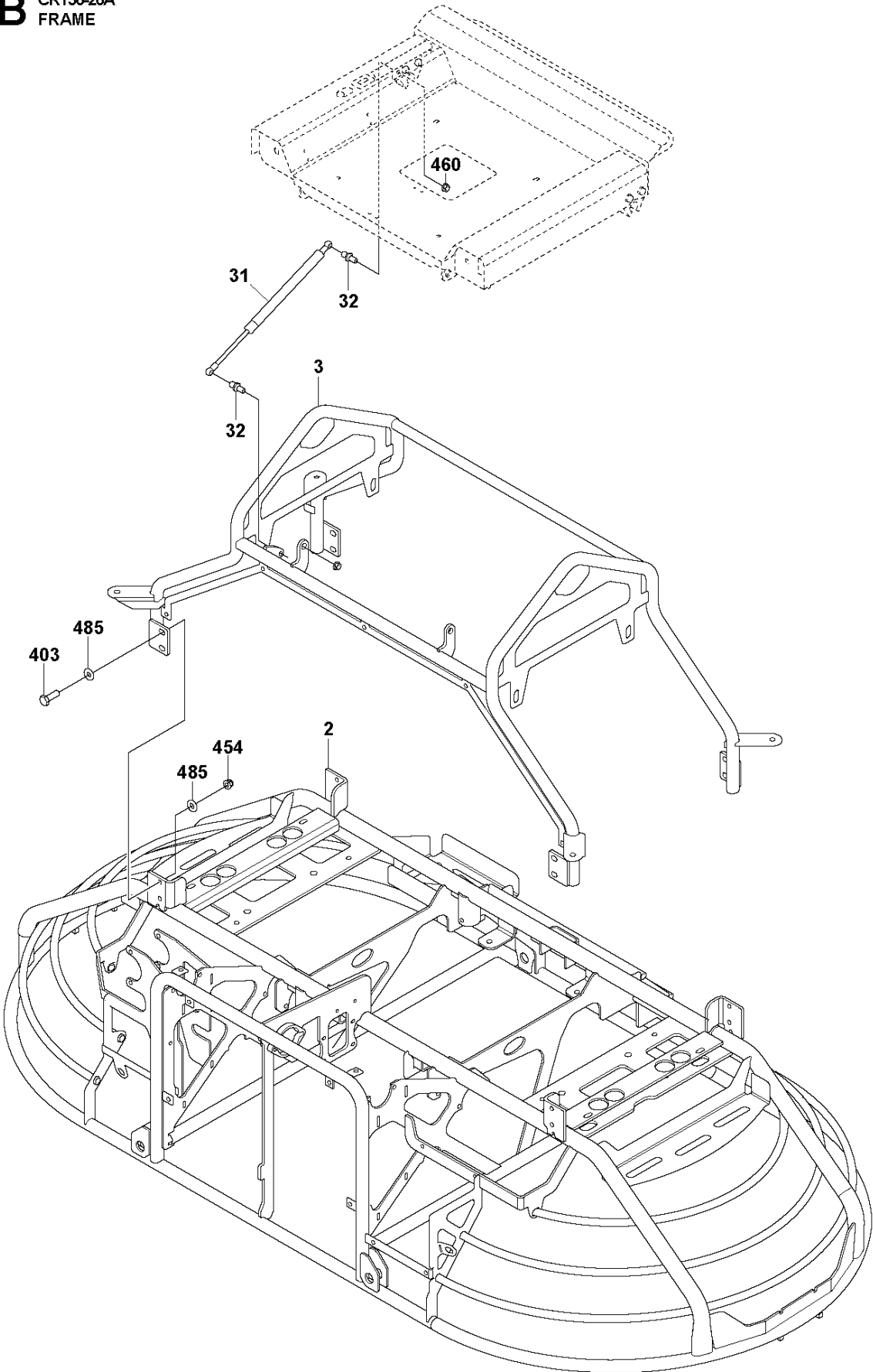


LIGHTS & PEDAL ASSY

CRT36-26A, 970461401, 2020-02

| Ref | Part No | Description | Remark | QTY | KIT |
|------|--------------|----------------|-------------------------------|-----|------|
| 123 | 599 04 10-01 | LIGHT | Complete | 4 | |
| 181 | 598 99 46-01 | SWITCH | | 1 | |
| 204 | 599 03 56-01 | LEVER | | 1 | |
| 207 | 599 04 06-01 | CABLE | | 1 | 1110 |
| 311 | 599 17 19-01 | SPRING | | 1 | |
| 421 | 725 23 29-71 | SCREW EHHM | M5x16, 6Nm/4ft.lbs, DIN933 | 2 | |
| 422 | 599 17 18-01 | SCREW | M6 x 50 | 1 | |
| 452 | 531 20 84-91 | NUT | M6, DIN985 | 1 | |
| 458 | 732 21 14-01 | LOCK NUT | | 2 | |
| 482 | 734 11 46-01 | WASHER | | 2 | |
| 510 | 599 16 52-01 | PIN | Clevis, 1/4 x 1/2" | 1 | 1110 |
| 515 | 599 16 35-01 | PIN | Cotter, 1-3/16 x 0,073 | 1 | 1110 |
| 901 | 599 46 35-01 | BULB | | 4 | |
| 1110 | 599 55 85-01 | THROTTLE CABLE | | 1 | |

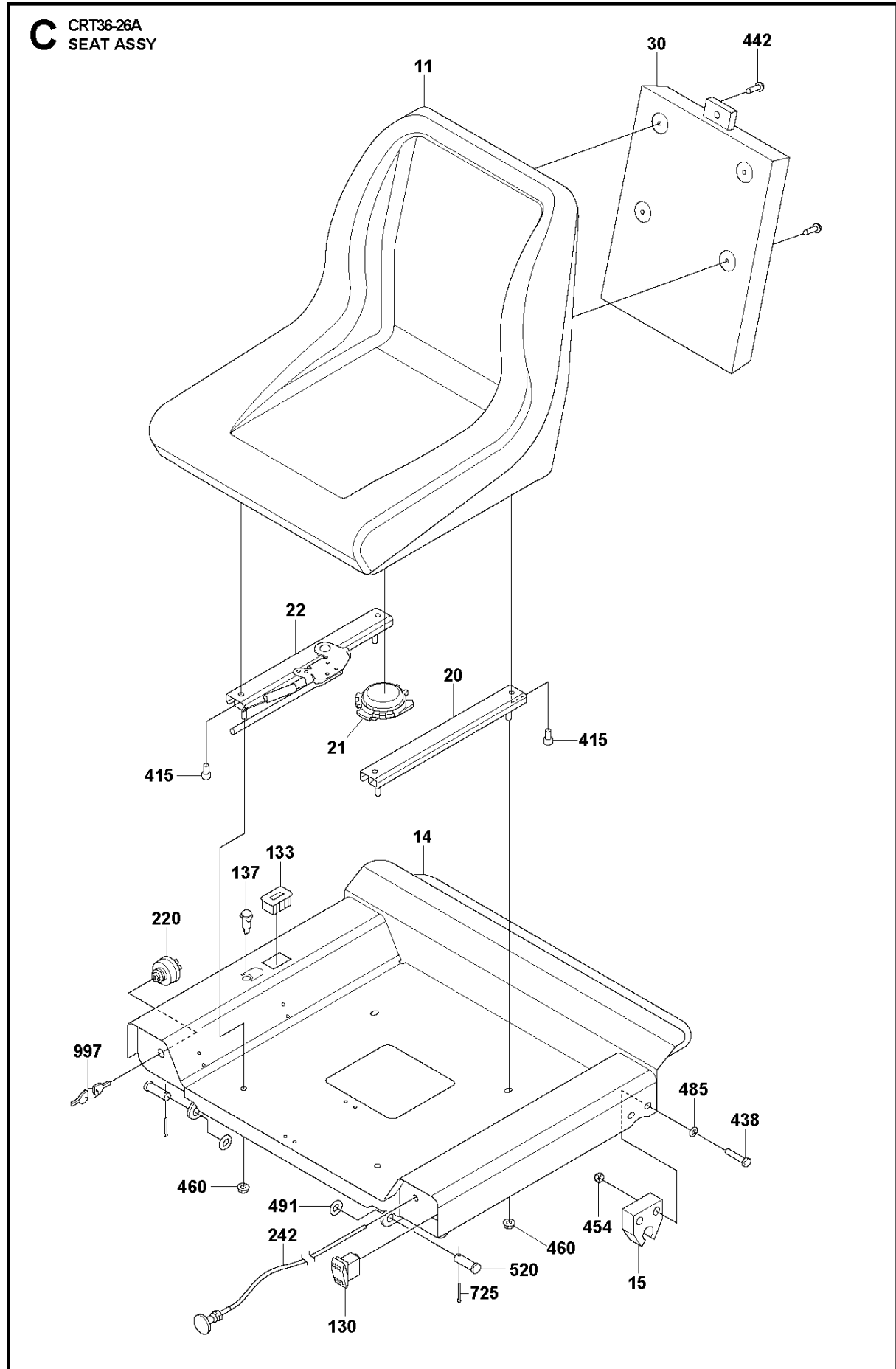
B CRT36-26A
FRAME



FRAME

CRT36-26A, 970461401, 2020-02

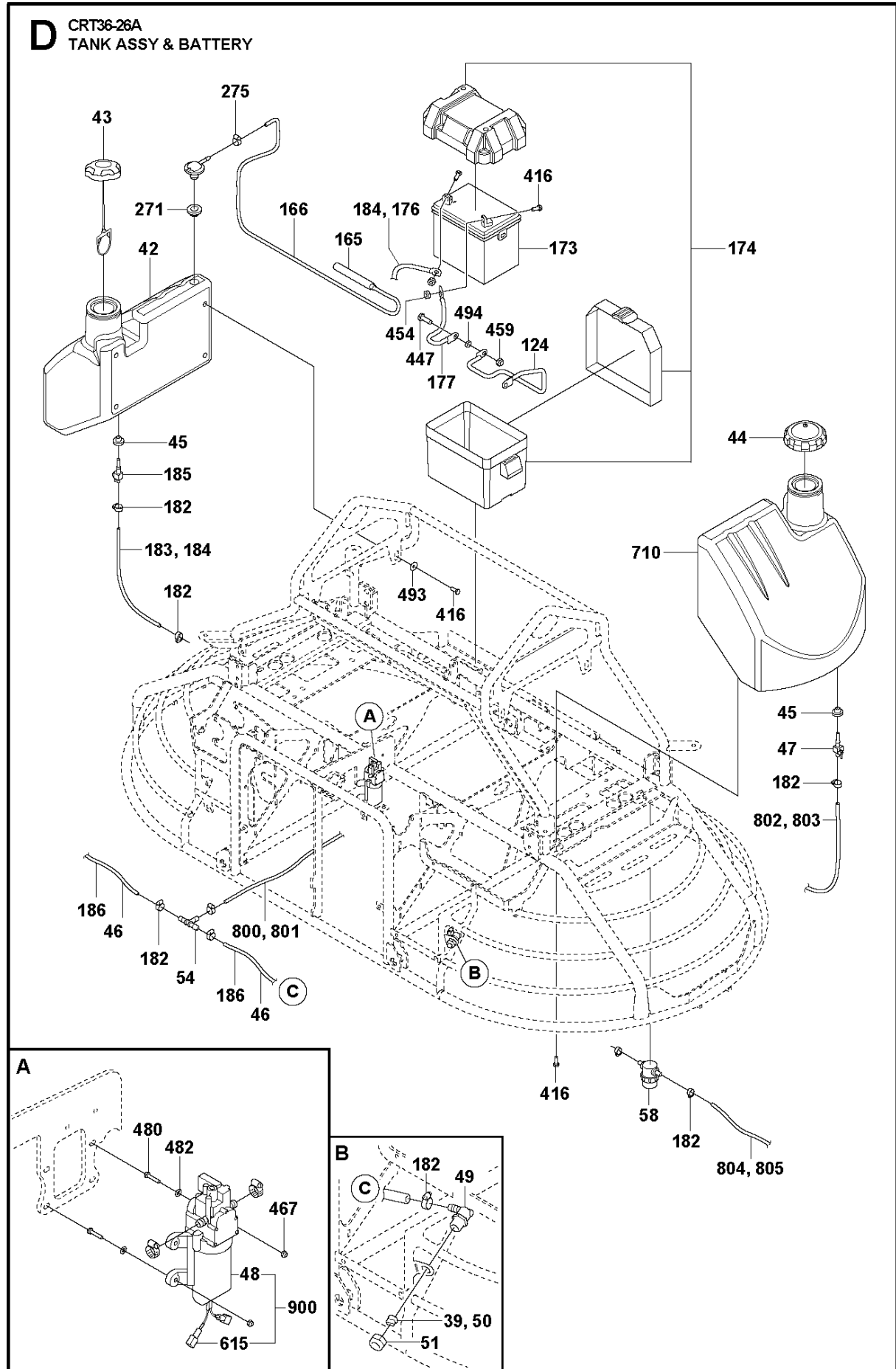
| Ref | Part No | Description | Remark | QTY KIT |
|-----|--------------|-------------|--------|---------|
| 2 | 599 03 11-01 | FRAME | | 1 |
| 3 | 599 03 12-01 | FRAME | Upper | 1 |
| 31 | 599 03 31-01 | CYLINDER | | 1 |
| 32 | 599 16 87-01 | STUD | M8x10 | 1 |
| 403 | 725 24 53-71 | SCREW EHHM | | 8 |
| 485 | 734 11 63-01 | WASHER | | 16 |
| 454 | 522 91 94-01 | LOCK NUT | | 8 |
| 460 | 576 64 57-04 | NUT FLANGE | | 2 |



SEAT ASSY

CRT36-26A, 970461401, 2020-02

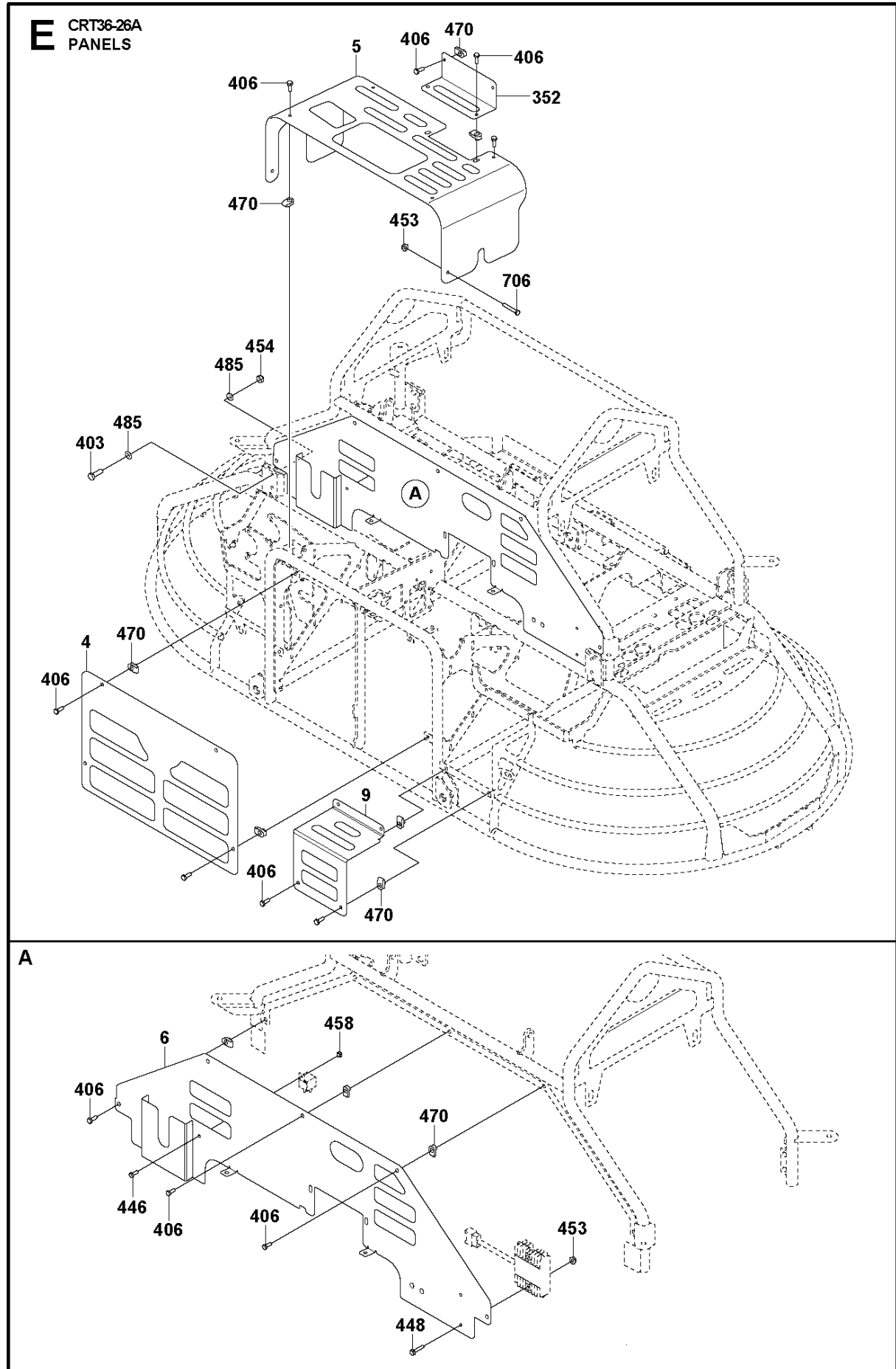
| Ref | Part No | Description | Remark | QTY KIT |
|-----|--------------|-------------|--|---------|
| 11 | 599 10 41-01 | SEAT | | 1 |
| 14 | 599 04 18-01 | PLATE | | 1 |
| 15 | 598 99 08-01 | BRACKET | | 2 |
| 20 | 599 04 09-01 | BRACKET | | 1 |
| 21 | 599 02 69-01 | SWITCH | | 1 |
| 22 | 599 02 64-01 | BRACKET | | 1 |
| 30 | 598 98 85-01 | HOLDER | | 1 |
| 130 | 599 07 08-01 | SWITCH | | 1 |
| 133 | 598 99 43-01 | HOUR METER | | 1 |
| 137 | 599 04 44-01 | LIGHT | Indicator light (red) | 1 |
| 220 | 598 99 73-01 | SWITCH | | 1 |
| 242 | 599 04 46-01 | CABLE | Choke | 1 |
| 415 | 725 54 49-01 | SCREW IHSCM | Cheese head, M8 x 1622Nm/16ft.lbs,ISO4762 | 4 |
| 438 | 725 24 59-51 | SCREW EHHM | M8 x 4025Nm/18ft.lbs, DIN931 | 4 |
| 442 | 599 16 91-01 | SCREW | | 4 |
| 454 | 522 91 94-01 | LOCK NUT | M8, DIN985 | 4 |
| 460 | 576 64 57-04 | NUT FLANGE | M822Nm/16ft.lbs | 5 |
| 485 | 734 11 46-01 | WASHER | | 4 |
| 491 | 734 11 78-01 | WASHER | 12, ISO7090 | 2 |
| 520 | 599 17 33-01 | PIN | 1/2 x 1" | 2 |
| 725 | 599 16 01-01 | PIN | 3,2 x 25, ISO1234 | 2 |
| 997 | 599 16 42-01 | KEY | Key ring | 1 |



TANK ASSY & BATTERY

CRT36-26A, 970461401, 2020-02

| Ref | Part No | Description | Remark | QTY | KIT |
|-----|--------------|----------------|-----------------------|-----|-----|
| 39 | 598 99 88-01 | VALVE | | 2 | |
| 42 | 599 13 13-02 | TANK | | 1 | |
| 43 | 599 07 09-01 | CAP | | 1 | |
| 44 | 599 03 02-01 | CAP | | 1 | |
| 45 | 598 99 04-01 | BUSHING | | 2 | |
| 46 | 599 55 28-04 | WIRE | 17.75" | 2 | |
| 47 | 599 06 17-01 | VALVE | | 1 | |
| 48 | 599 06 16-01 | PUMP | | 1 | 900 |
| 49 | 598 99 39-01 | ELBOW | | 2 | |
| 50 | 598 99 40-01 | JET | | 2 | |
| 51 | 598 99 41-01 | FITTING | | 2 | |
| 54 | 599 16 90-01 | FITTING | Hydraulic T-fitting | 1 | |
| 58 | 599 06 18-01 | SCREEN | | 1 | |
| 124 | 599 03 63-01 | CABLE | Ground, 16" | 1 | |
| 165 | 599 07 11-01 | HOSE | 3/8x1/4" | 1 | |
| 166 | 599 55 08-01 | FUEL HOSE | 59" | 1 | |
| 173 | 599 10 11-01 | BATTERY | | 1 | |
| 174 | 598 99 53-01 | BOX | | 1 | |
| 176 | 599 03 64-01 | CABLE | 36" | 1 | |
| 177 | 598 99 54-01 | CABLE | 13" | 1 | |
| 182 | 599 16 17-01 | CLAMP | 0,21-0,63 | 9 | |
| 183 | 599 55 28-07 | WIRE | 57" | 1 | |
| 184 | 599 55 17-01 | FUEL HOSE | Wire loom, 55" | 1 | |
| 185 | 599 00 05-01 | VALVE | | 1 | |
| 186 | 599 55 28-03 | WIRE | Wire loom, 15.75" | 2 | |
| 271 | 599 06 88-01 | GROMMET | | 1 | |
| 275 | 599 06 87-01 | VENT | | 1 | |
| 416 | 725 24 51-01 | SCREW | M8x20, 25Nm/18ft.lbs | 12 | |
| 447 | 725 24 95-71 | SCREW EHHM | M10x30, 49Nm/36ft.lbs | 1 | |
| 454 | 522 91 94-01 | LOCK NUT | M8, DIN985 | 4 | |
| 459 | 732 21 20-51 | NUT | M10, DIN980 | 1 | |
| 467 | 599 15 98-01 | LOCK NUT | | 4 | |
| 480 | 725 22 95-71 | SCREW EHHM | M4x20, 3Nm/2ft.lbs | 4 | |
| 482 | 734 11 46-01 | WASHER | | 4 | |
| 493 | 734 11 65-41 | WASHER | | 8 | |
| 494 | 599 16 75-01 | LOCKWASHER | M10 | 1 | |
| 615 | 599 06 16-01 | PUMP | | 1 | 900 |
| 710 | 599 13 12-02 | TANK | | 1 | |
| 800 | 599 55 23-01 | HOSE | 11" | 1 | |
| 801 | 599 55 28-02 | WIRE | Wire loom, 9" | 1 | |
| 802 | 599 46 55-02 | HOSE | 3/8 ID x 5" | 1 | |
| 803 | 599 55 28-01 | WIRE | Wire loom, 3.50" | 1 | |
| 804 | 599 55 28-06 | WIRE | 3/8 ID x 33.00" | 1 | |
| 805 | 599 55 28-05 | WIRE | Wire loom, 31" | 1 | |
| 900 | 599 46 31-01 | WATER PUMP KIT | Water pump kit | 1 | |

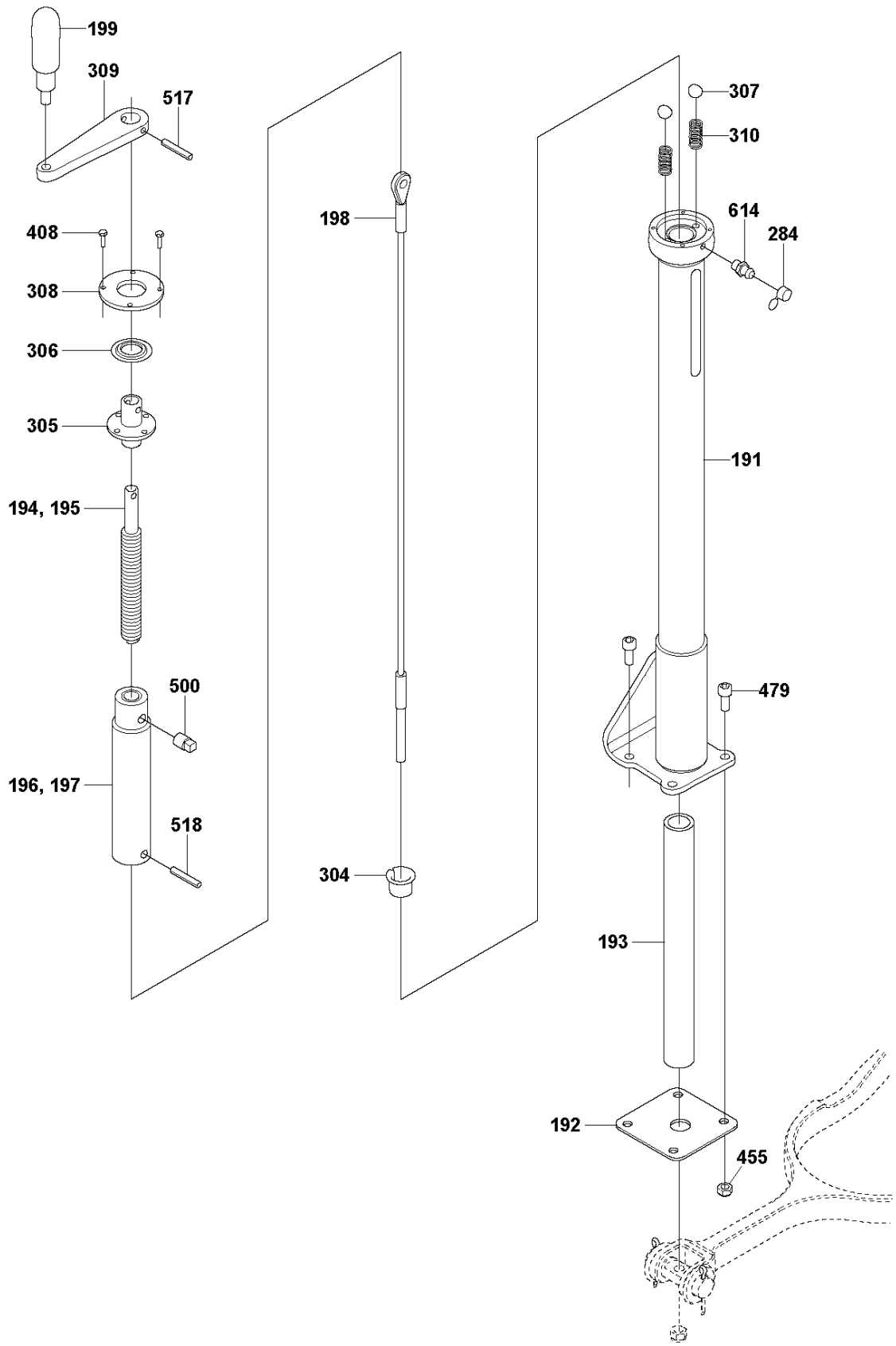


PANELS

CRT36-26A, 970461401, 2020-02

| Ref | Part No | Description | Remark | QTY KIT |
|-----|--------------|-------------|-------------------------------|---------|
| 4 | 599 13 02-02 | PLATE | Front | 1 |
| 5 | 599 03 21-01 | PLATE | Foot, complete, 36" | 1 |
| 6 | 599 13 03-02 | PANEL ASSY | Complete | 1 |
| 9 | 599 03 20-01 | PANEL | Deck | 1 |
| 352 | 599 04 60-01 | PLATE | | 1 |
| 403 | 725 24 53-71 | SCREW EHHM | M8 x 2522Nm/16ft.lbs | 8 |
| 406 | 725 23 68-51 | SCREW | M6 x 1610Nm/7ft.lbs | 21 |
| 446 | 725 23 27-71 | SCREW EHHM | M5 x 126Nm/4ft.lbs, DIN933 | 1 |
| 448 | 725 23 74-51 | SCREW EHHM | M6 x 3010Nm/7ft.lbs | 2 |
| 453 | 593 35 64-01 | NUT | M6 | 4 |
| 454 | 522 91 94-01 | LOCK NUT | M8, DIN985 | 8 |
| 458 | 732 21 14-01 | LOCK NUT | | 1 |
| 470 | 599 16 68-01 | LOCK NUT | M6 | 19 |
| 485 | 734 11 63-01 | WASHER | | 16 |
| 706 | 725 23 80-51 | SCREW EHHM | M6 x 509Nm/7ft.lbs, DIN931 | 2 |

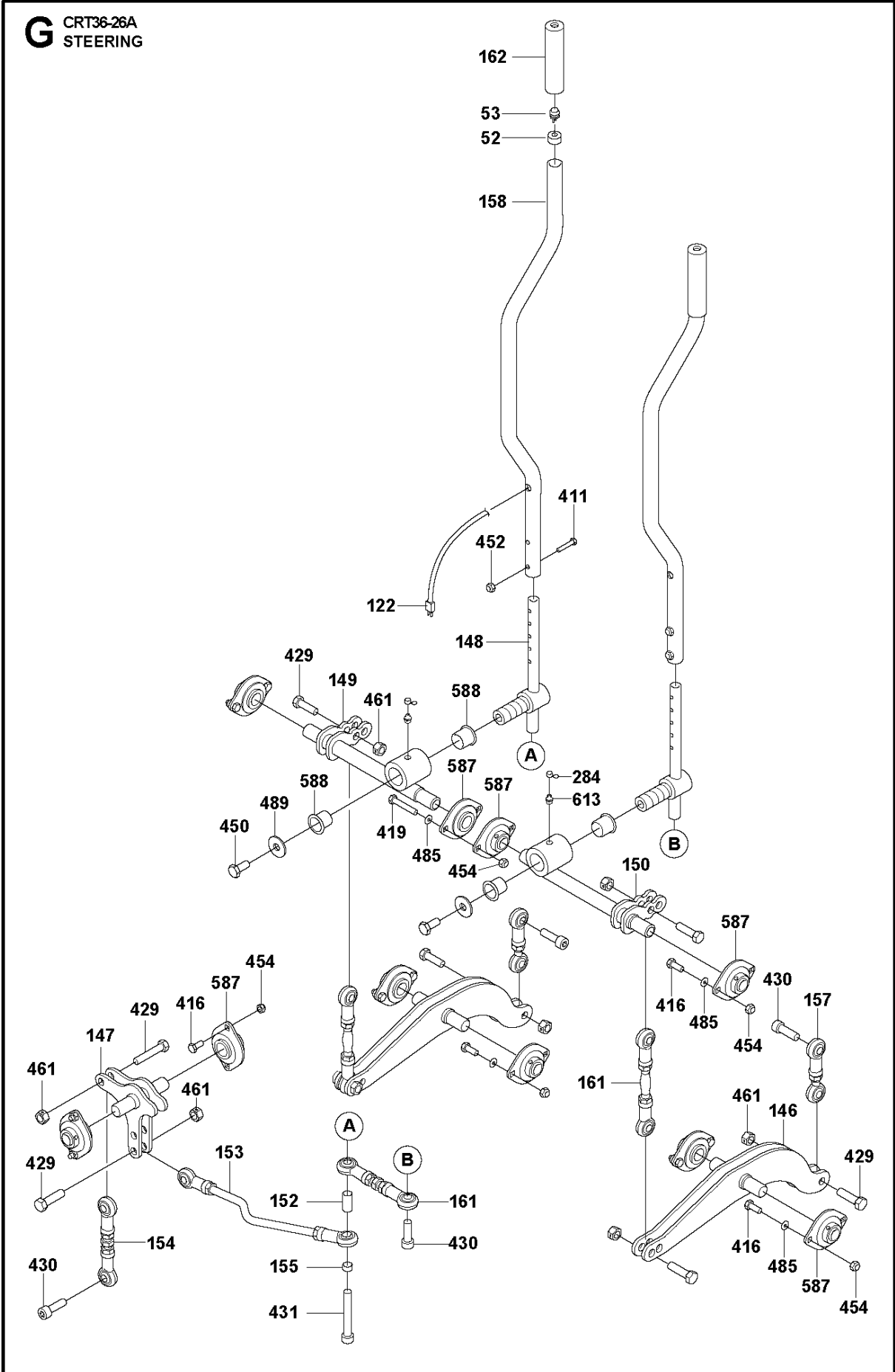
F CRT36-26A
PITCH CONTROL



PITCH CONTROL

CRT36-26A, 970461401, 2020-02

| Ref | Part No | Description | Remark | QTY KIT |
|-----|--------------|-------------|--|---------|
| 191 | 599 00 42-01 | TUBE | | 1 |
| 192 | 599 06 24-01 | PLATE | | 1 |
| 193 | 599 06 25-01 | TUBE | | 1 |
| 194 | 599 16 94-01 | ROD | Right-hand thread | 1 |
| 195 | 599 16 95-01 | ROD | Left-hand thread | 1 |
| 196 | 599 00 46-01 | TUBE | Right-hand thread | 1 |
| 197 | 599 00 47-01 | TUBE | Left-hand thread | 1 |
| 198 | 599 00 48-01 | CABLE | Pitch cable | 1 |
| 199 | 599 00 51-01 | HANDLE | Handle, 24Nm/18ft.lbs | 1 |
| 284 | 599 16 92-01 | CAP | Cap | 1 |
| 304 | 599 00 43-01 | BUSHING | | 1 |
| 305 | 599 00 44-01 | HUB | | 1 |
| 306 | 599 16 93-01 | RING | Nilos ring | 1 |
| 307 | 599 16 96-01 | BALL | | 2 |
| 308 | 599 00 49-01 | PLATE | | 1 |
| 309 | 599 00 50-01 | CRANK | | 1 |
| 310 | 599 00 41-01 | SPRING | | 2 |
| 408 | 599 16 82-01 | SCREW | M4 x 14, ISO4017 8.8 ZPB, 3Nm/2ft.lbs | 4 |
| 455 | 596 04 03-01 | LOCK NUT | 5/16"-24 | 1 |
| 479 | 725 54 51-01 | SCREW IHSCM | M8x20, ISO4762 8.8 ZPB, 22Nm/16ft.lbs | 4 |
| 500 | 599 17 31-01 | PIPE | Pipe plug 1/8" sq.hd. Plated | 1 |
| 517 | 599 16 33-01 | PIN | 1/4" x 1-1/2" | 1 |
| 518 | 599 16 00-01 | PIN | Roll pin 8x36, ISO8752 | 1 |
| 614 | 599 17 66-01 | FITTING | Grease fitting AM6, DIN71412 | 1 |

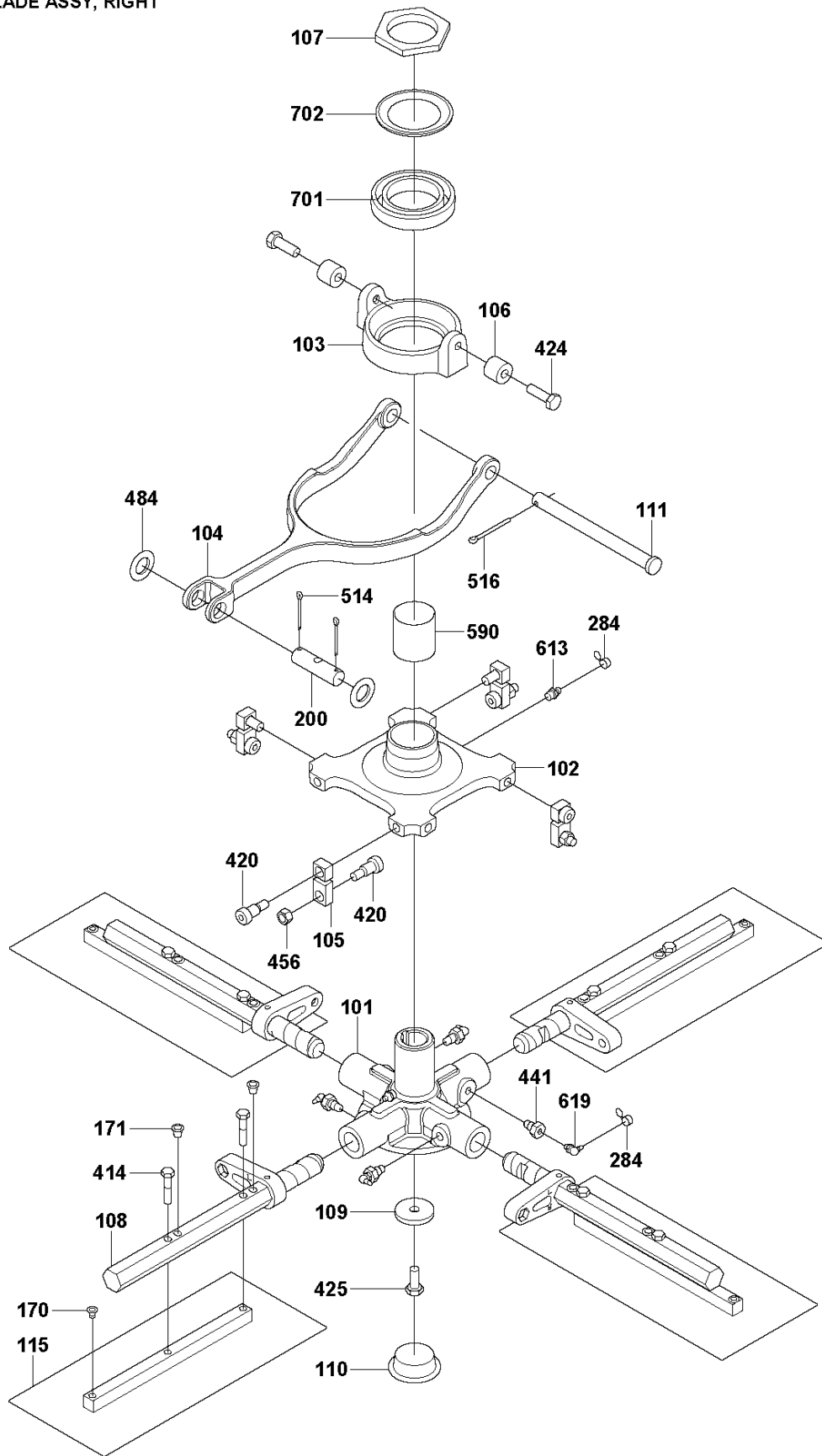


STEERING

CRT36-26A, 970461401, 2020-02

| Ref | Part No | Description | Remark | QTY KIT |
|-----|--------------|-------------|---|---------|
| 52 | 599 00 13-01 | CAP | | 1 |
| 53 | 599 00 12-01 | SWITCH | | 1 |
| 122 | 598 99 97-01 | WIRING | | 1 |
| 146 | 599 03 24-01 | BRACKET | | 2 |
| 147 | 599 00 20-01 | BRACKET | | 1 |
| 148 | 599 00 17-01 | PIVOT | | 2 |
| 149 | 599 03 10-01 | HUB | | 1 |
| 150 | 599 03 09-01 | HUB | | 1 |
| 152 | 598 99 36-01 | TUBE | | 1 |
| 153 | 599 01 63-01 | LINK | | 1 |
| 154 | 599 01 60-01 | LINK | | 2 |
| 155 | 599 04 71-01 | SPACER | | 1 |
| 157 | 599 03 84-01 | LINK | | 2 |
| 158 | 599 03 35-01 | HANDLE | | 2 |
| 161 | 599 01 61-01 | LINK | | 2 |
| 162 | 598 99 96-01 | HANDLE | Handle grip | 2 |
| 284 | 599 16 92-01 | CAP | Cap | 2 |
| 411 | 725 23 76-51 | SCREW EHHM | M6x35 ISO4014 8.8 ZPB, 10Nm/7ft.lbs | 4 |
| 416 | 725 24 51-01 | SCREW | 8x20 hx.hd. 24Nm/18ft.lbs | 16 |
| 419 | 725 24 62-51 | SCREW EHHM | M8x55 ISO4014 8.8 ZPB, 24Nm/18ft.lbs | 2 |
| 429 | 599 17 25-01 | SCREW | 1/2-20 x 1- 3/4in85Nm/63ft.lbs | 8 |
| 430 | 587 42 88-01 | BOLT | 1/2"-20x1-1/2" SOC. HD., 85Nm/63ft.lbs | 4 |
| 431 | 599 17 04-01 | SCREW | 1/2"-20x2-1/2" SOC. HD., 85Nm/63ft.lbs | 1 |
| 450 | 585 23 59-01 | SCREW EHHFM | M12x25 DIN 933 S3, 86Nm/63ft.lbs | 2 |
| 452 | 531 20 84-91 | NUT | M6, ISO10511 | 4 |
| 454 | 522 91 94-01 | LOCK NUT | M8, ISO10511 | 18 |
| 461 | 587 65 39-03 | NUT | 1/2"-20" | 8 |
| 485 | 734 11 63-01 | WASHER | M8, ISO7089, 200HV, ZPB | 18 |
| 489 | 734 11 80-41 | WASHER | M12, ISO7093, ZPB | 2 |
| 587 | 598 99 69-01 | BEARING | 0,875", 10Nm/7ft.lbs | 10 |
| 588 | 598 99 31-01 | BEARING | 1" ID | 4 |
| 613 | 599 16 21-01 | FITTING | Grease fitting AM10, DIN71412 | 2 |

H CRT36-26A
BLADE ASSY, RIGHT

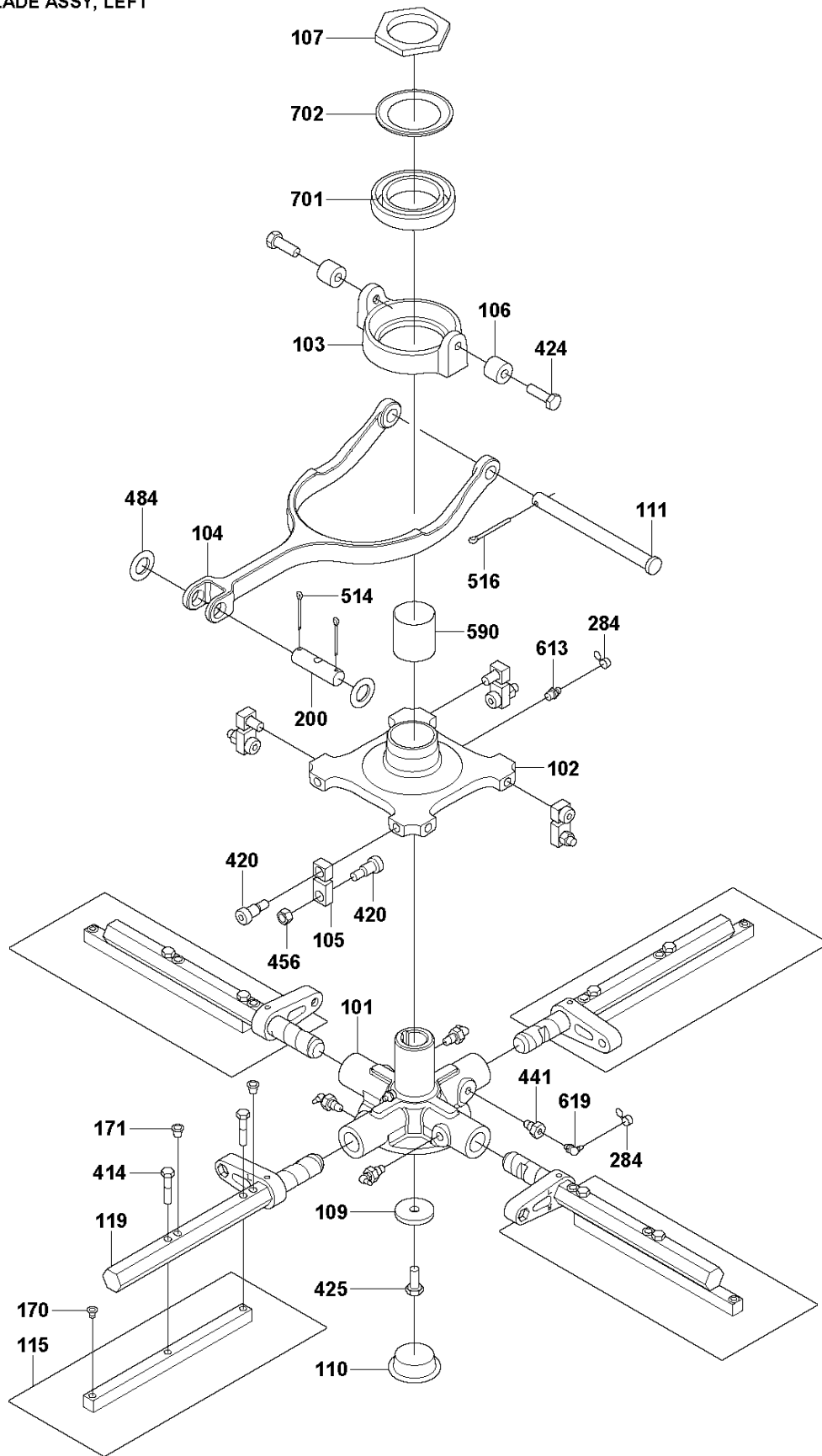


BLADE ASSY, RIGHT

CRT36-26A, 970461401, 2020-02

| Ref | Part No | Description | Remark | QTY KIT |
|-----|--------------|-------------|-----------------------------------|---------|
| 101 | 598 99 12-01 | HUB | | 1 |
| 102 | 598 99 61-01 | RING | | 1 |
| 103 | 598 99 63-01 | HOLDER | | 1 |
| 104 | 598 99 65-01 | YOKE | | 1 |
| 105 | 598 99 11-01 | LINK | | 4 |
| 106 | 598 99 34-01 | TUBE | | 2 |
| 107 | 598 99 66-01 | CAP | 49Nm/36ft.lbs | 1 |
| 108 | 599 00 39-01 | SHAFT | | 4 |
| 109 | 599 16 60-01 | WASHER | | 1 |
| 110 | 598 98 73-01 | PLUG | | 1 |
| 111 | 599 16 66-01 | SHAFT | | 1 |
| 115 | 598 92 95-01 | BLADE SET | Set of 4 pcs, finish, 36" | 1 |
| 170 | 599 16 34-01 | PLUG | Threaded | 4 |
| 171 | 599 06 36-01 | PLUG | | 8 |
| 200 | 598 99 35-01 | MOUNT | | 1 |
| 284 | 599 16 92-01 | CAP | | 5 |
| 414 | 539 97 69-35 | CAPSCREW | 5/16-18 x 1-1/2" 24Nm/18ft.lbs | 8 |
| 420 | 599 16 30-01 | SCREW | 3/8-16 x 1-3/8" 24Nm/18ft.lbs | 8 |
| 424 | 725 24 97-51 | SCREW | M10 x 35 49Nm/36ft.lbs, DIN933 | 2 |
| 425 | 725 24 93-71 | SCREW EHHM | M10 x 25 49Nm/36ft.lbs, DIN933 | 1 |
| 441 | 598 98 69-01 | SCREW | 24Nm/18ft.lbs | 4 |
| 456 | 596 04 02-01 | HEXAGON NUT | | 4 |
| 484 | 542 17 30-35 | WASHER | | 2 |
| 514 | 599 16 49-01 | PIN | 1/8 x 1-1/2" | 2 |
| 516 | 599 16 51-01 | PIN | 3/16 x 2" | 1 |
| 590 | 598 98 72-01 | BEARING | 46 ID | 1 |
| 613 | 599 16 21-01 | FITTING | AM10, DIN71412 | 1 |
| 619 | 599 17 03-01 | GREASE | AM6 | 4 |
| 701 | 598 99 67-01 | BEARING | Ball | 1 |
| 702 | 599 16 61-01 | RING | 6012ZAV | 1 |

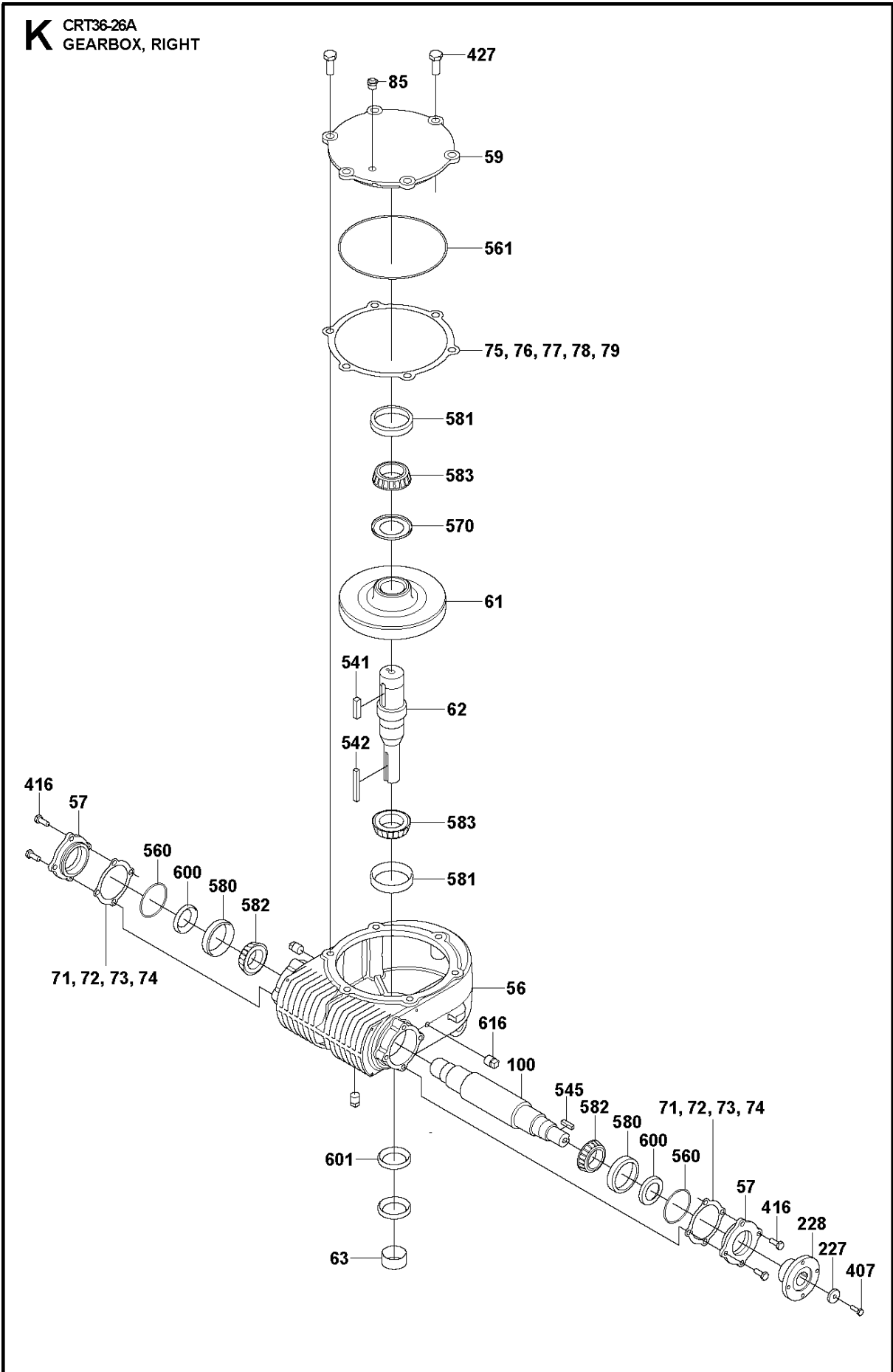
J CRT36-26A
BLADE ASSY, LEFT



BLADE ASSY, LEFT

CRT36-26A, 970461401, 2020-02

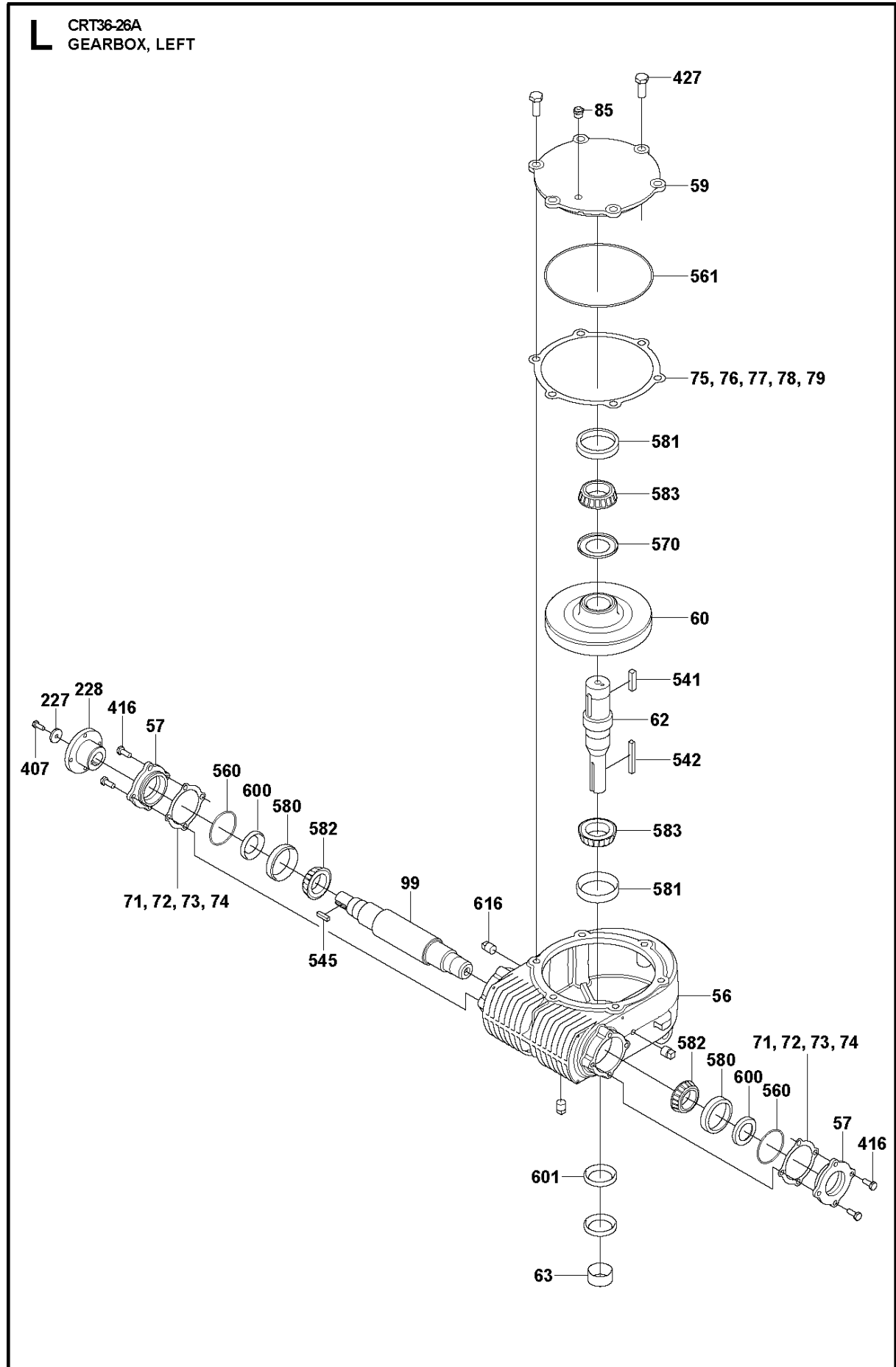
| Ref | Part No | Description | Remark | QTY KIT |
|-----|--------------|-------------|-----------------------------------|---------|
| 101 | 598 99 12-01 | HUB | | 1 |
| 102 | 598 99 61-01 | RING | | 1 |
| 103 | 598 99 63-01 | HOLDER | | 1 |
| 104 | 598 99 65-01 | YOKE | | 1 |
| 105 | 598 99 11-01 | LINK | | 4 |
| 106 | 598 99 34-01 | TUBE | | 2 |
| 107 | 598 99 66-01 | CAP | 49Nm/36ft.lbs | 1 |
| 109 | 599 16 60-01 | WASHER | | 4 |
| 110 | 598 98 73-01 | PLUG | | 1 |
| 111 | 599 16 66-01 | SHAFT | | 1 |
| 115 | 598 92 95-01 | BLADE SET | Set of 4 pcs, finish, 36" | 1 |
| 119 | 599 00 40-01 | SHAFT | Complete | 1 |
| 170 | 599 16 34-01 | PLUG | Threaded | 4 |
| 171 | 599 06 36-01 | PLUG | | 8 |
| 200 | 598 99 35-01 | MOUNT | | 1 |
| 284 | 599 16 92-01 | CAP | | 5 |
| 414 | 539 97 69-35 | CAPSCREW | 5/16-18 x 1-1/2" 24Nm/18ft.lbs | 8 |
| 420 | 599 16 30-01 | SCREW | 3/8-16 x 1-3/8" 24Nm/18ft.lbs | 8 |
| 424 | 725 24 97-51 | SCREW | M10 x 35 49Nm/36ft.lbs, DIN933 | 2 |
| 425 | 725 24 93-71 | SCREW EHHM | M10 x 25 49Nm/36ft.lbs, DIN933 | 1 |
| 441 | 598 98 69-01 | SCREW | 24Nm/18ft.lbs | 4 |
| 456 | 596 04 02-01 | HEXAGON NUT | | 4 |
| 484 | 542 17 30-35 | WASHER | | 2 |
| 514 | 599 16 49-01 | PIN | Cotter, 1/8 x 1-1/2" | 2 |
| 516 | 599 16 51-01 | PIN | Cotter, 3/16 x 2" | 1 |
| 590 | 598 98 72-01 | BEARING | 46 ID | 1 |
| 613 | 599 16 21-01 | FITTING | AM10, DIN71412 | 1 |
| 619 | 599 17 03-01 | GREASE | AM6 | 4 |
| 701 | 598 99 67-01 | BEARING | | 1 |
| 702 | 599 16 61-01 | RING | 6012ZAV | 1 |



GEARBOX, RIGHT

CRT36-26A, 970461401, 2020-02

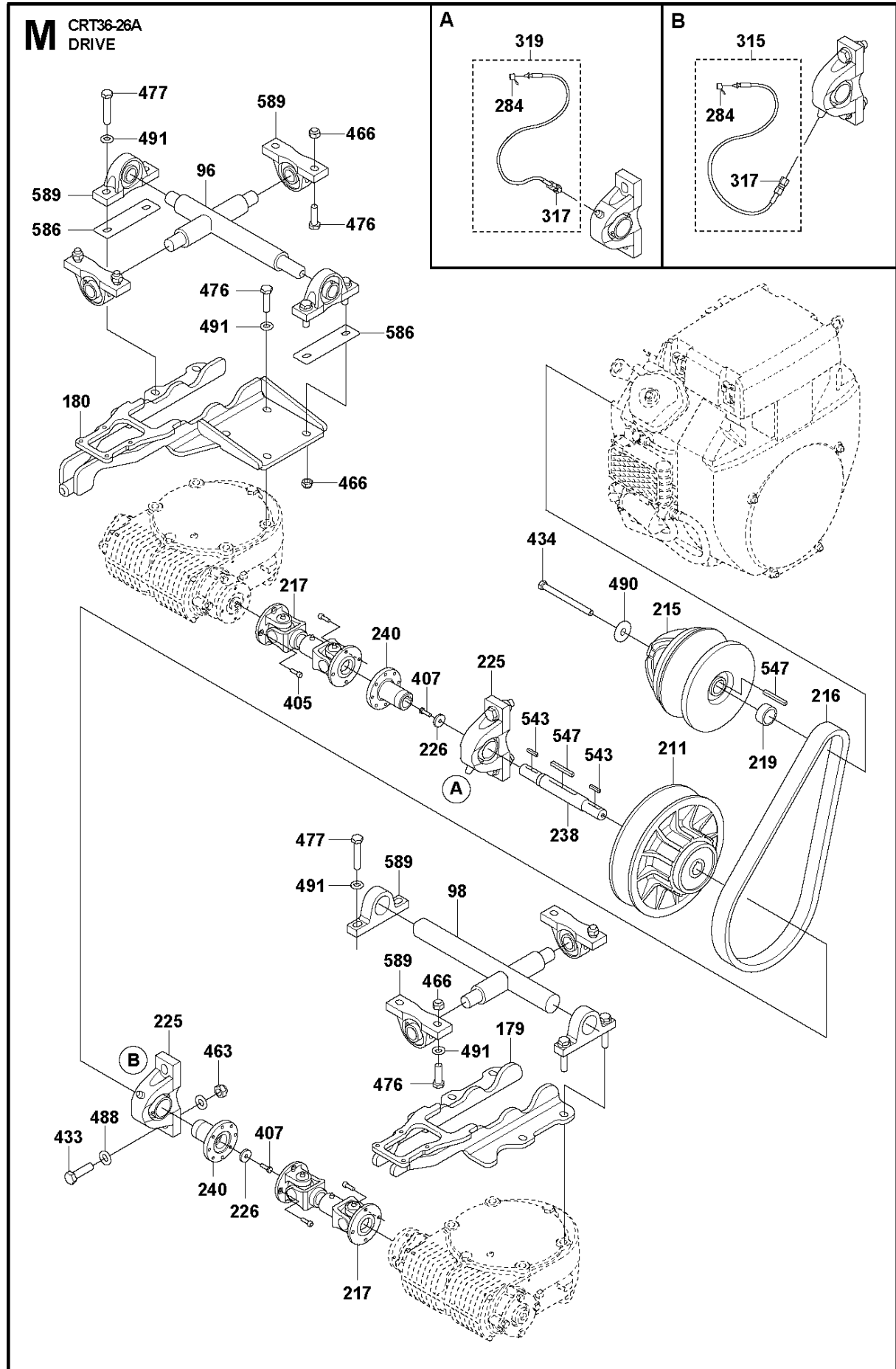
| Ref | Part No | Description | Remark | QTY KIT |
|-----|--------------|-------------|----------------------------------|---------|
| 56 | 598 99 21-01 | GEARBOX | | 1 |
| 57 | 598 99 22-01 | COVER | | 2 |
| 59 | 598 99 15-01 | COVER | | 1 |
| 61 | 598 99 16-01 | GEAR | | 1 |
| 62 | 598 99 82-01 | SHAFT | | 1 |
| 63 | 598 99 77-01 | WASHER | | 1 |
| 71 | 599 01 71-01 | SHIM | 0,007" | 1 |
| 72 | 599 01 72-01 | SHIM | 0,009" | 1 |
| 73 | 599 01 73-01 | SHIM | 0,012" | 2 |
| 74 | 599 01 74-01 | SHIM | 0,022" | 1 |
| 75 | 599 01 65-01 | SHIM | 0,007" | 1 |
| 76 | 599 01 66-01 | SHIM | 0,009" | 1 |
| 77 | 599 01 67-01 | SHIM | 0,012" | 1 |
| 78 | 599 01 68-01 | SHIM | 0,022" | 2 |
| 79 | 599 01 69-01 | SHIM | 0,032" | 2 |
| 85 | 599 17 05-01 | VALVE | | 1 |
| 100 | 598 99 51-01 | WORM GEAR | 4,25" | 1 |
| 227 | 599 16 58-01 | WASHER | 1-1/8 x 0,28 x 0,187 | 1 |
| 228 | 599 12 54-01 | FITTING | | 1 |
| 407 | 725 23 70-71 | SCREW EHHM | M6x20, 10Nm/7ft.lbs, DIN933 | 1 |
| 416 | 725 24 51-01 | SCREW | 24Nm/18ft.lbs | 8 |
| 427 | 598 74 98-01 | SCREW | M12x35, 85Nm/63ft.lbs, DIN933 | 2 |
| 541 | 599 16 48-01 | KEY | 3/8 x 1-1/2" | 1 |
| 542 | 599 16 70-01 | KEY | A8 x 7 x 65 | 1 |
| 545 | 599 16 15-01 | KEY | 1/4 x 1.0" | 1 |
| 560 | 598 99 23-01 | O-RING | 2-3/8 x 3/32" | 2 |
| 561 | 598 99 24-01 | O-RING | 7-1/4 x 1/8" | 1 |
| 570 | 599 16 45-01 | SEAL | 2,78 x 1,625 | 1 |
| 580 | 599 16 47-01 | BEARING | | 2 |
| 581 | 599 16 47-01 | BEARING | | 2 |
| 582 | 598 99 47-01 | BEARING | | 2 |
| 583 | 599 16 56-01 | BEARING | | 2 |
| 600 | 599 04 75-01 | SEAL | 1,313 x 2,066 x 0,31 | 2 |
| 601 | 599 04 76-01 | SEAL | 1,625 x 2,252 x 0,31 | 2 |
| 616 | 599 17 10-01 | PLUG | 3/8in NPTF | 3 |



GEARBOX, LEFT

CRT36-26A, 970461401, 2020-02

| Ref | Part No | Description | Remark | QTY KIT |
|-----|--------------|-------------|----------------------------------|---------|
| 56 | 598 99 21-01 | GEARBOX | | 1 |
| 57 | 598 99 22-01 | COVER | | 2 |
| 59 | 598 99 15-01 | COVER | | 1 |
| 60 | 598 99 16-01 | GEAR | | 1 |
| 62 | 598 99 82-01 | SHAFT | | 1 |
| 63 | 598 99 77-01 | WASHER | | 1 |
| 71 | 599 01 71-01 | SHIM | 0,007" | 1 |
| 72 | 599 01 72-01 | SHIM | 0,009" | 1 |
| 73 | 599 01 73-01 | SHIM | 0,012" | 2 |
| 74 | 599 01 74-01 | SHIM | 0,022" | 1 |
| 75 | 599 01 65-01 | SHIM | 0,007" | 1 |
| 76 | 599 01 66-01 | SHIM | 0,009" | 1 |
| 77 | 599 01 67-01 | SHIM | 0,012" | 1 |
| 78 | 599 01 68-01 | SHIM | 0,022" | 2 |
| 79 | 599 01 69-01 | SHIM | 0,032" | 2 |
| 85 | 599 17 05-01 | VALVE | | 1 |
| 99 | 598 99 51-01 | WORM GEAR | 4,25" | 1 |
| 227 | 599 16 58-01 | WASHER | 1-1/8 x 0,28 x 0,187 | 1 |
| 228 | 599 12 54-01 | FITTING | | 1 |
| 407 | 725 23 70-71 | SCREW EHHM | M6x20, 10Nm/7ft.lbs, DIN933 | 1 |
| 416 | 725 24 51-01 | SCREW | 24Nm/18ft.lbs | 8 |
| 427 | 598 74 98-01 | SCREW | M12x35, 85Nm/63ft.lbs, DIN933 | 2 |
| 541 | 599 16 48-01 | KEY | 3/8 x 1-1/2" | 1 |
| 542 | 599 16 70-01 | KEY | A8 x 7 x 65 | 1 |
| 545 | 599 16 15-01 | KEY | 1/4 x 1.0" | 1 |
| 560 | 598 99 23-01 | O-RING | 2-3/8 x 3/32" | 2 |
| 561 | 598 99 24-01 | O-RING | 7-1/4 x 1/8" | 1 |
| 570 | 599 16 45-01 | SEAL | 2,78 x 1,625 | 1 |
| 580 | 599 16 47-01 | BEARING | | 2 |
| 581 | 599 16 47-01 | BEARING | | 2 |
| 582 | 598 99 47-01 | BEARING | | 2 |
| 583 | 599 16 56-01 | BEARING | | 2 |
| 600 | 599 04 75-01 | SEAL | 1,313 x 2,066 x 0,31 | 2 |
| 601 | 599 04 76-01 | SEAL | 1,625 x 2,252 x 0,31 | 2 |
| 616 | 599 17 10-01 | PLUG | 3/8in NPTF | 3 |

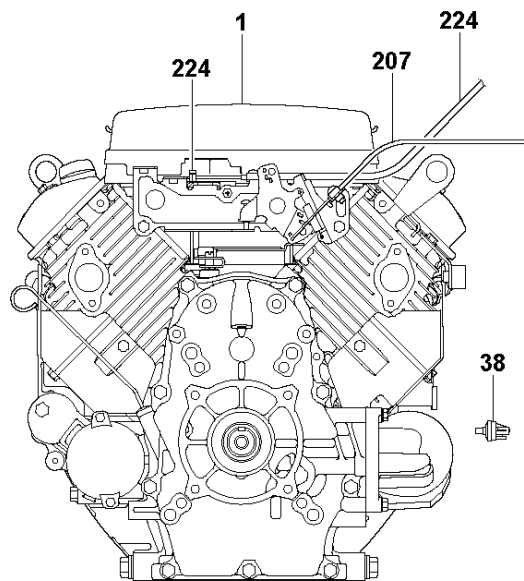
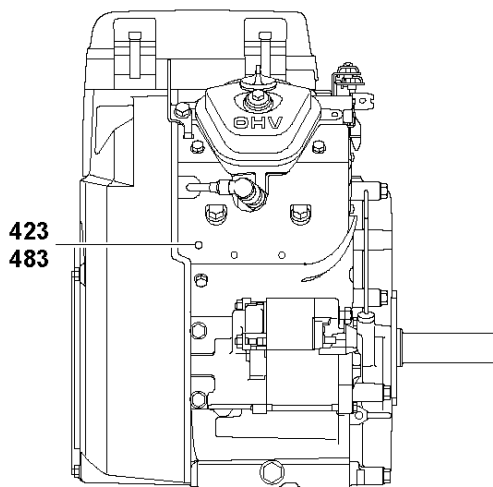
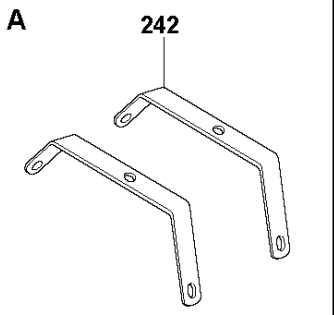
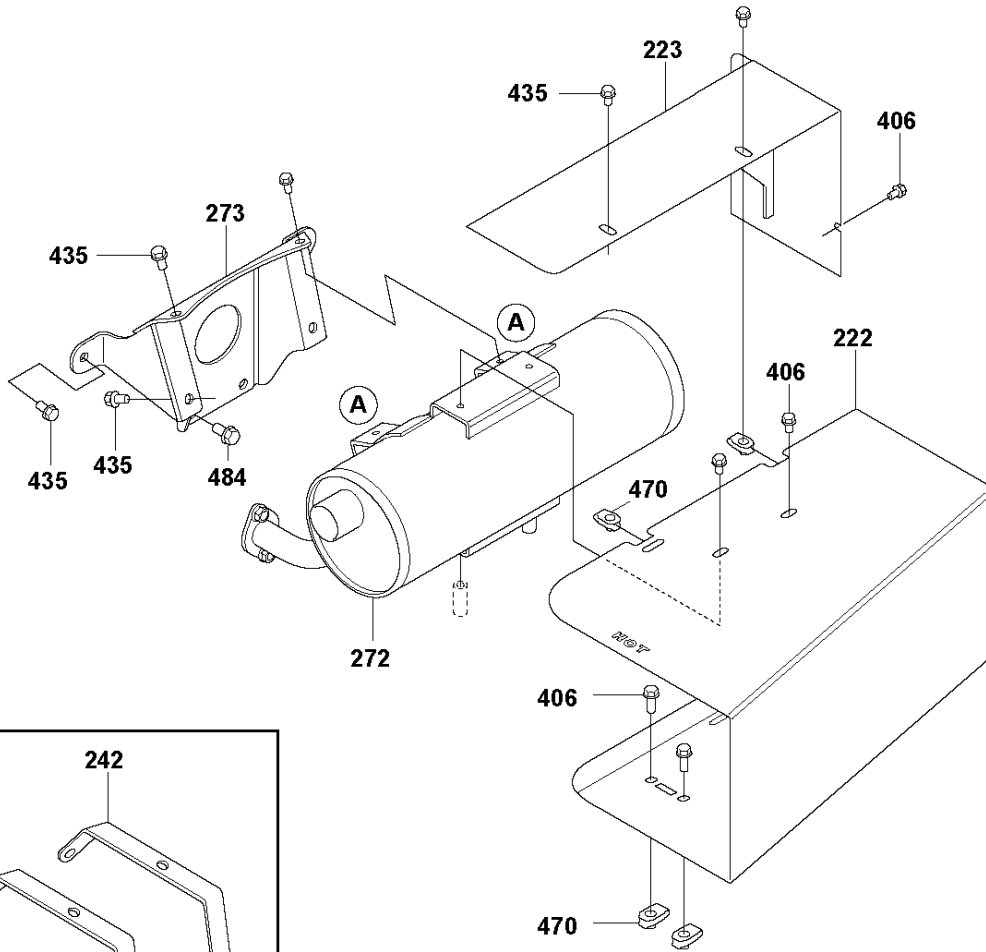


DRIVE

CRT36-26A, 970461401, 2020-02

| Ref | Part No | Description | Remark | QTY | KIT |
|-----|--------------|-------------|--|-----|----------|
| 96 | 599 03 53-01 | LEVER | Right cross | 1 | |
| 98 | 599 03 83-01 | LEVER | Left cross | 1 | |
| 179 | 599 03 52-01 | BRACKET | Gearbox bracket, left | 1 | |
| 180 | 599 03 47-01 | BRACKET | Gearbox bracket, right | 1 | |
| 211 | 599 03 27-01 | CLUTCH | | 1 | |
| 215 | 599 03 28-01 | CLUTCH | | 1 | |
| 216 | 599 03 26-01 | BELT | 13-1/4" | 1 | |
| 217 | 598 99 52-01 | JOINT | | 2 | |
| 219 | 599 02 21-01 | SPACER | | 1 | |
| 225 | 598 99 45-01 | BEARING | | 2 | |
| 226 | 599 16 54-01 | WASHER | 1" x 0,265" x 0,1795" | 2 | |
| 238 | 599 03 98-01 | SHAFT | | 1 | |
| 240 | 598 99 48-01 | FITTING | | 2 | |
| 284 | 599 16 92-01 | CAP | | 6 | 315, 319 |
| 315 | 599 08 33-01 | HOSE | Complete, 24" | 1 | |
| 317 | 599 17 29-01 | FITTING | | 2 | 315, 319 |
| 319 | 599 08 34-01 | HOSE | Complete, 41" | 1 | |
| 405 | 725 53 70-01 | SCREW IHSCM | M6x20, ISO4762, 8.8 ZPB, 9Nm/7ft.lbs | 16 | |
| 407 | 725 23 70-71 | SCREW EHHM | M6x20, ISO4017, 8.8 ZPB, 10Nm/7ft.lbs | 2 | |
| 433 | 597 97 91-01 | SCREW | M14x50, ISO4017, 8.8, ZPB, 135Nm/100ft.lbs | 4 | |
| 434 | 599 16 77-01 | SCREW | 7/16"-20 x 5,5" SAE GR5 | 1 | |
| 463 | 598 55 65-01 | NUT | M14, ISO10511 | 4 | |
| 466 | 502 04 55-01 | NUT | M12, ISO10511 | 10 | |
| 476 | 725 25 41-71 | SCREW EHHM | M12x45, ISO4017, 8.8, ZPB, 10Nm/7ft.lbs | 10 | |
| 477 | 725 25 44-51 | SCREW EHHM | M12x60, ISO4014, 8.8, ZPB, 10Nm/7ft.lbs | 6 | |
| 488 | 599 16 57-01 | WASHER | M14, ISO7089, 200HV, ZPB | 8 | |
| 490 | 599 16 44-01 | WASHER | 0,531 x 1,625 x 0,12 | 1 | |
| 491 | 734 11 78-01 | WASHER | M12, ISO7089 200HV ZPB | 18 | |
| 543 | 599 16 32-01 | KEY | Square key 3/16" x 1" | 2 | |
| 547 | 599 17 24-01 | KEY | Square key 1/4" x 2-1/2" | 2 | |
| 586 | 599 03 99-01 | SHIM | | 2 | |
| 589 | 598 99 32-01 | BEARING | | 6 | |

N CRT36-26A
ENGINE, MUFFLER & HEATSHIELD

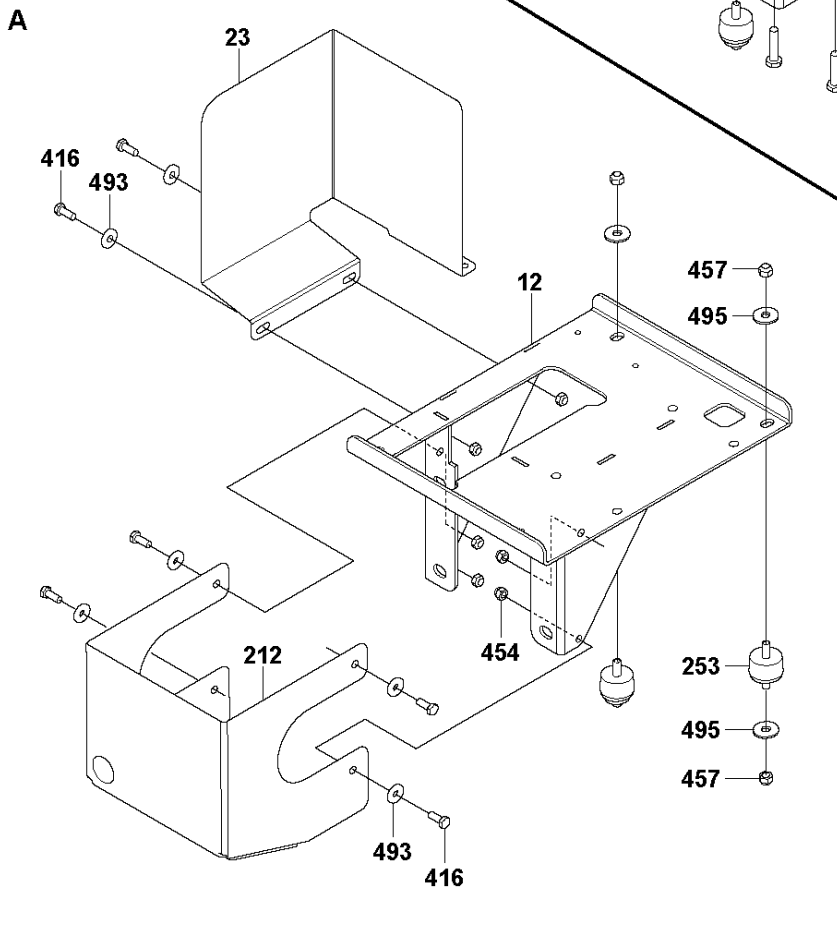
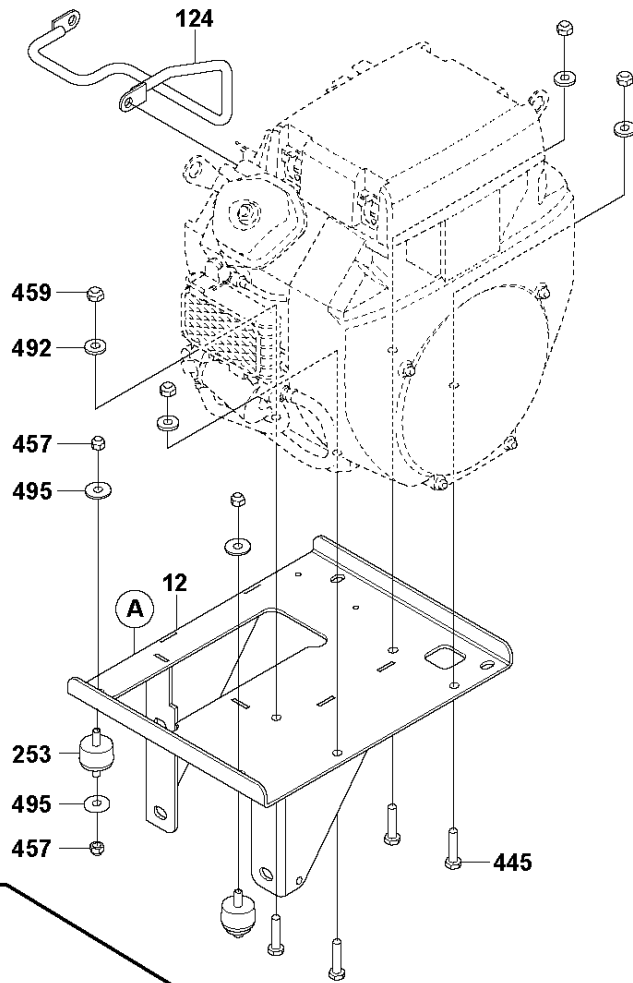


ENGINE, MUFFLER & HEATSHIELD

CRT36-26A, 970461401, 2020-02

| Ref | Part No | Description | Remark | QTY KIT |
|-----|--------------|-------------|-------------------------------|---------|
| 1 | 599 06 96-01 | ENGINE | Complete, Honda | 1 |
| 38 | 599 04 37-01 | SWITCH | | 1 |
| 207 | 599 04 06-01 | CABLE | | 1 |
| 222 | 599 04 42-01 | HEAT SHIELD | | 1 |
| 223 | 599 05 53-01 | HEAT SHIELD | | 1 |
| 224 | 599 05 52-01 | BRACKET | | 2 |
| 242 | 599 05 52-01 | BRACKET | | 2 |
| 272 | 599 06 97-01 | MUFFLER | | 1 |
| 273 | 599 55 07-01 | BRACKET | | 1 |
| 406 | 585 98 06-01 | SCREW EHHFM | M6x16, 9Nm/7ft.lbs | 7 |
| 423 | 596 32 01-01 | BOLT | M6x12, 5Nm/4ft.lbs, DIN933 | 3 |
| 435 | 506 57 01-03 | SCREW EHHFM | M8x16, 22Nm/16ft.lbs | 6 |
| 470 | 599 16 68-01 | LOCK NUT | M6 | 3 |
| 483 | 599 16 02-01 | WASHER | | 1 |
| 484 | 542 17 30-35 | WASHER | B21, Washer | 4 |

P CRT36-26A
ENGINE PLATE



ENGINE PLATE

CRT36-26A, 970461401, 2020-02

| Ref | Part No | Description | Remark | QTY KIT |
|-----|--------------|-------------|----------------------------------|---------|
| 12 | 599 03 15-01 | PLATE | | 1 |
| 23 | 599 03 82-01 | BELT GUARD | | 1 |
| 124 | 599 03 63-01 | CABLE | 16" | 1 |
| 212 | 599 04 00-01 | GUARD | | 1 |
| 253 | 598 99 98-01 | BUMPER | 22Nm/16ft.lbs | 4 |
| 416 | 725 24 51-01 | SCREW | 22Nm/16ft.lbs | 8 |
| 445 | 725 25 00-51 | SCREW EHHM | M10 x 4549Nm/36ft.lbs, DIN931 | 4 |
| 454 | 522 91 94-01 | LOCK NUT | M8, DIN985 | 4 |
| 457 | 539 20 02-82 | NUT | 3/8-16" | 8 |
| 459 | 732 21 20-51 | NUT | M10, DIN980 | 4 |
| 492 | 599 16 10-01 | WASHER | 10,5, DIN7349 | 4 |
| 493 | 734 11 65-41 | WASHER | | 8 |
| 495 | 599 15 99-01 | WASHER | B10,5, DIN9021 | 8 |

Q CRT36-26A
DECALS

230

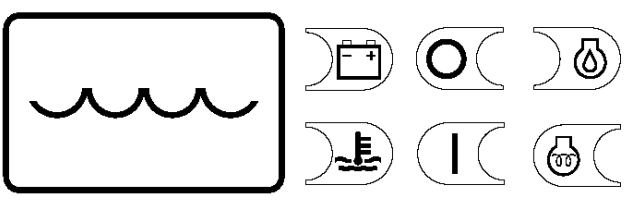
235

252

EXEMPT FROM TANK PERMEATION STANDARDS
UNDER 40 CFR 1054.145

EXENTO DE LAS NORMAS RELATIVO A
PERMEACIÓN DEL TANQUE (40 CFR 1054.145)

EXEMPT DES NORMES DE PERMEATION DU
RESERVOIR (40 CFR 1054.145)



| | |
|----------|-----------|
| ⚠ DANGER | ⚠ PELIGRO |
| ⚠ GEFAHR | ⚠ DANGER |

| | |
|---------------|-----------|
| DIESEL | |
| ⚠ DANGER | ⚠ PELIGRO |
| ⚠ GEFAHR | ⚠ DANGER |

801

CRT36

800



810

Husqvarna®

DECALS

CRT36-26A, 970461401, 2020-02

| Ref | Part No | Description | Remark | QTY KIT |
|-----|--------------|-------------|--------|---------|
| 230 | 599 04 73-01 | LABEL | | 1 |
| 235 | 599 04 31-01 | LABEL | | 1 |
| 252 | 599 10 15-01 | LABEL | | 1 |
| 800 | 599 23 47-01 | DECAL | | 1 |
| 801 | 599 23 46-01 | DECAL | | 1 |
| 810 | 599 23 48-01 | DECAL | | 2 |