

Repair Parts Manual
Manual De Repuestos
LGT54DXL/96043026100

Please read the operator's manual carefully and make sure you understand the instructions before using the machine.

Por favor lea cuidadosamente y comprenda estas instrucciones antes de usar esta maquina.



English/Spanish

115 96 41-49 Rev. 8



HOW TO USE THIS MANUAL

This manual is designed to provide the customer with a means to identify the parts on his/her tractor when ordering repair parts. The illustrations may or may not represent the actual assemblies; therefore, it is not recommended to use this manual as a guide to assemble or disassemble the tractor. Some hardware and parts are drawn larger in order to more readily identify them.

Each tractor has its own model number. The model number for your tractor can be found on the fender under the seat.

Support / Help

If you require assistance or have questions concerning the application, operation, maintenance or parts for your product:

- Visit our website: www.husqvarna.com
- Call Us Toll Free: 1-800-487-5951

When ordering parts, always give the following information:

- Product - "TRACTOR"
- MODEL NUMBER - "LGT54DXL" (96043026100)"
- Part Number
- Part Description

TABLE OF CONTENTS

SCHEMATIC	3
ELECTRICAL.....	4-5
CHASSIS	6-7
DRIVE.....	8-9
ENGINE.....	10-11
STEERING	12-13
MOWER DECK.....	14-15
MOWER LIFT.....	16
SEAT	17
DECALS.....	18

COMO UTILIZAR ESTE MANUAL

Este manual está diseñado para brindarle al comprador un medio para identificar las piezas del tractor para cuando necesite hacer el pedido de un repuesto. Las ilustraciones pueden o no representar los ensambles reales; por lo tanto, no se recomienda utilizar este manual como una guía para ensamblar o desarmar el tractor. Algunos accesorios y piezas están dibujados en tamaños más grandes para identificarlos con mayor facilidad.

Cada tractor tiene su propio número de modelo. El número de modelo del tractor se encuentra en el guardabarros debajo del asiento.

Soporte / Ayuda

Si necesita asistencia o tiene alguna pregunta acerca de la aplicación, operación, mantenimiento o piezas de su producto:

- Visite nuestro sitio web: www.husqvarna.com
- Llámenos de manera gratuita al: 1-800-487-5951

Cuando haga el pedido de una pieza, siempre brinde la siguiente información:

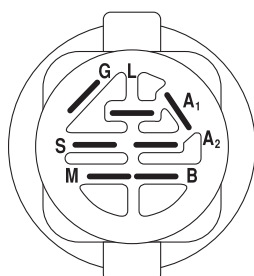
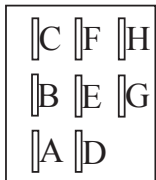
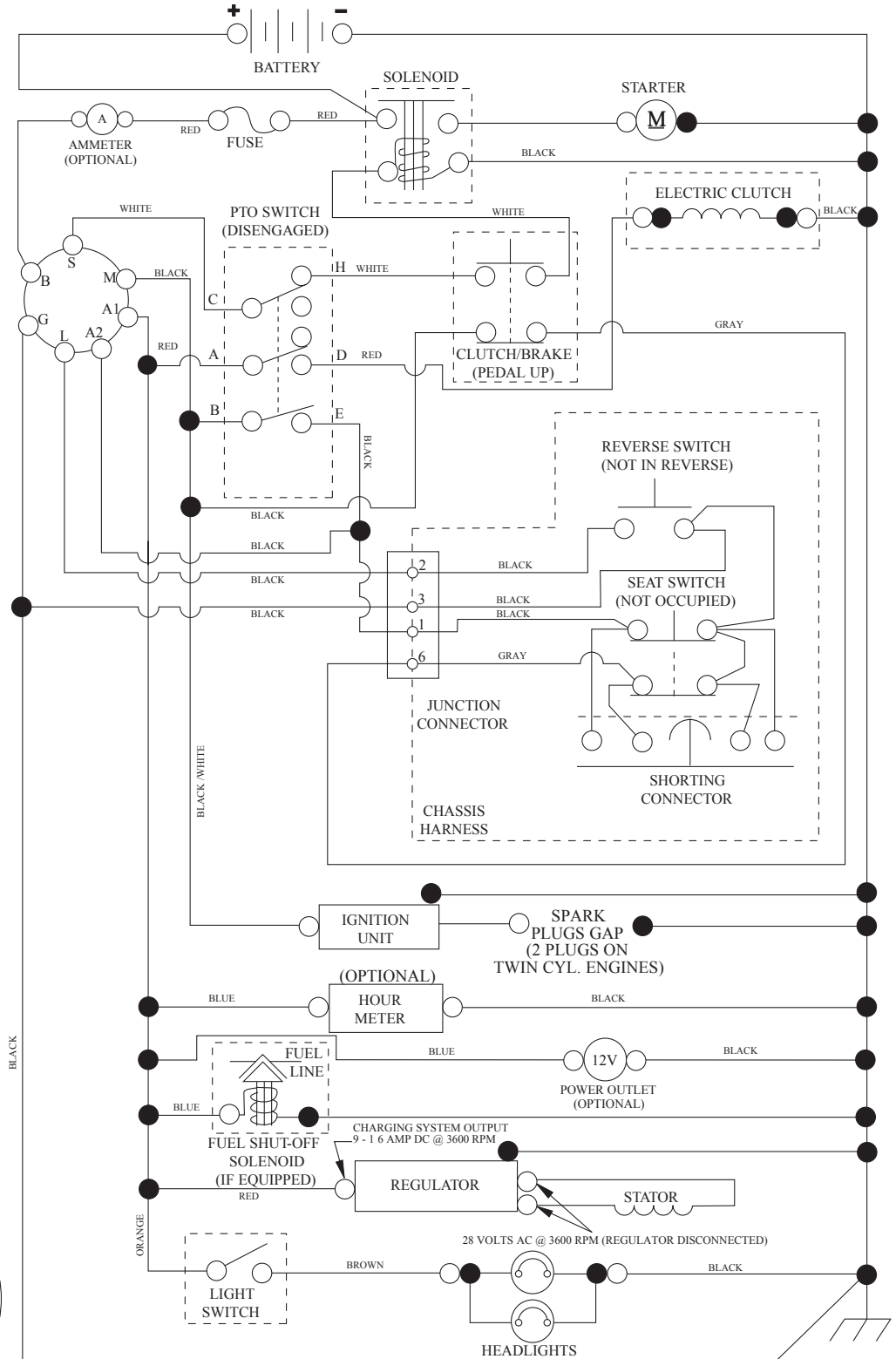
- Producto: "TRACTOR"
- NÚMERO DE MODELO: "LGT54DXL" (96043026100)"
- Número de pieza
- Descripción de la pieza

ÍNDICE

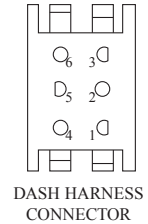
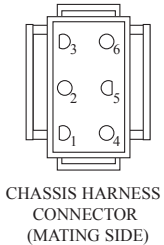
DIAGRAMA.....	19
DIAGRAMA ELÉCTRICO.....	20-21
CHASIS	22-23
TRANSMISIÓN	24-25
MOTOR	26-27
DIRECCIÓN	28-29
PLATAFORMA DE LA CORTADORA DE CÉSPED.....	30-31
ELEVACIÓN DE LA CORTADORA DE CÉSPED.....	32
ASIENTO.....	33
CALCOMANÍAS.....	34

TRACTOR - MODEL NO. LGT54DXL (96043026100), PRODUCT NO. 960 43 02-61 SCHEMATIC

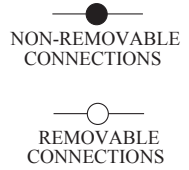
SCH12



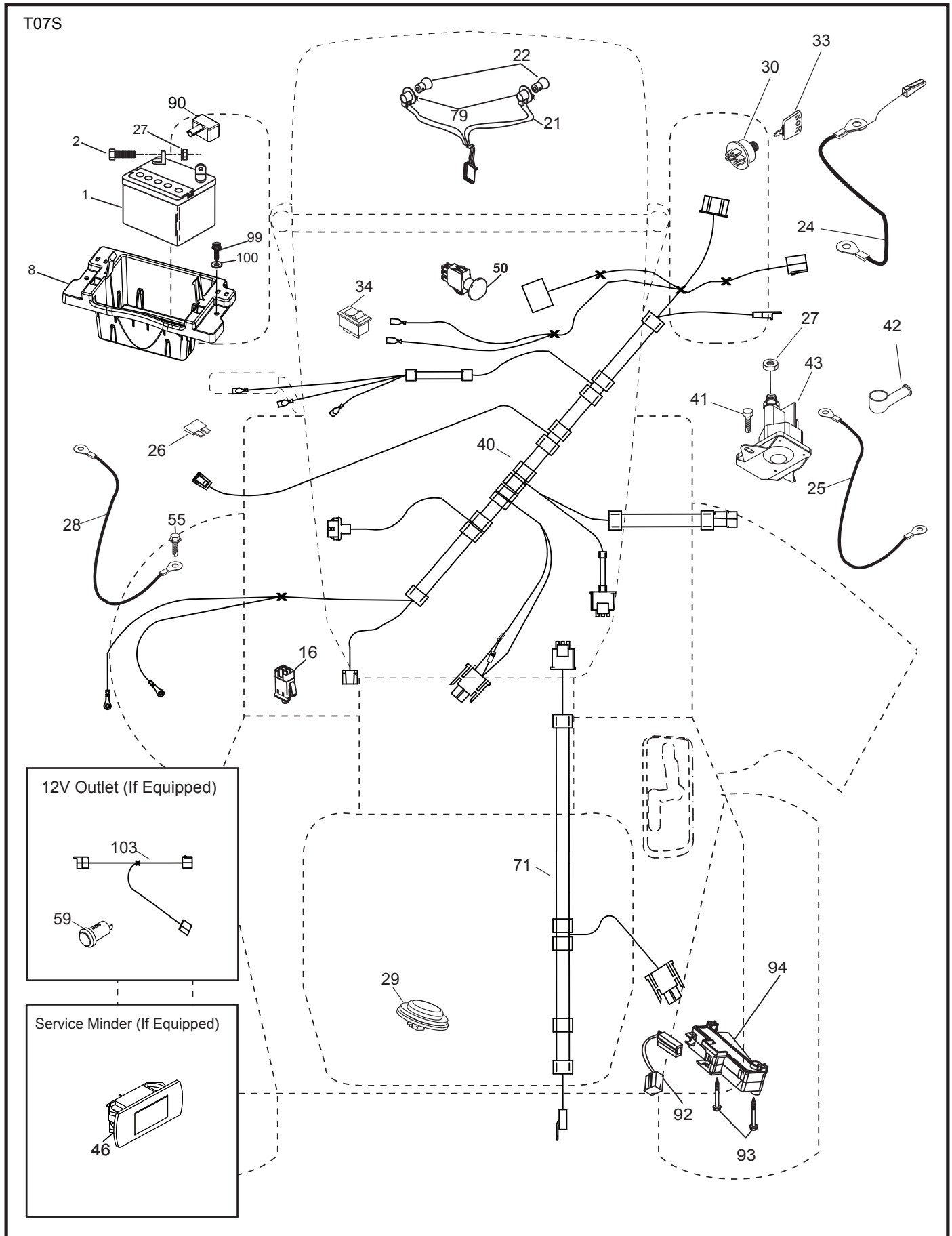
POSITION	CIRCUIT	"MAKE"
OFF	M+G+A1	
RUN/OVERRIDE	B+A1	
RUN	B+A1	L+A2
START	B + S + A1	



WIRING INSULATED CLIPS
NOTE: IF WIRING INSULATED CLIPS WERE REMOVED FOR SERVICING OF UNIT, THEY SHOULD BE RE-INSTALLED TO PROPERLY SECURE YOUR WIRING.



**TRACTOR - MODEL NO. LGT54DXL (96043026100), PRODUCT NO. 960 43 02-61
ELECTRICAL**



**TRACTOR - MODEL NO. LGT54DXL (96043026100), PRODUCT NO. 960 43 02-61
ELECTRICAL**

KEY NO.	PART NO.	DESCRIPTION
1	532 16 34-65	Battery
2	874 76 04-12	Bolt Hex Hd 1/4-20 unc x 3/4
8	587 20 51-01	Battery Box
16	532 17 61-38	Switch Interlock
21	532 40 02-52	Harness Socket Light
22	532 00 41-52	Bulb, Light #1156
24	585 55 56-01	Cable Battery
25	585 55 55-01	Cable Starter
26	532 17 51-58	Fuse
27	873 51 04-00	Nut Keps Hex 1/4-20 unc
28	532 41 65-88	Cable Ground 21" Blk 6 Ga.
29	532 40 15-45	Switch Seat
30	532 19 33-50	Switch Ign
33	532 41 19-35	Key/Chain
34	532 11 07-12	Switch Light/Reset
40	501 13 29-01	Harness Ign. Dash
41	817 72 04-08	Screw Thd Cut 1/4-20 x 1/2
42	532 13 15-63	Cover Terminal Red
43	582 04 28-01	Solenoid
46	586 16 18-01	Gauge Hourmeter
50	582 10 76-04	Switch PTO
55	817 06 05-12	Screw Thdrol 5/16-18 x 3/4
59	532 40 03-03	Outlet 12-Volt
71	532 19 42-76	Harness Ign Chassis
79	532 17 52-42	Socket Asm Bulb
90	532 43 53-95	Cover Terminal Battery
92	532 19 66-15	Harness Pigtail Reverse Switch
93	532 19 25-40	Screw Plastite 10-14 X 2.00
94	532 19 18-34	Module Reverse ROS
99	817 67 04-12	Screw Hexwsh Thdrol 1/4-20 x 3/4
100	819 09 14-16	Washer 9/32 x 7/8 x 16 Ga.
103	532 40 79-62	Harness Pigtail 12 V Outlet

NOTE: All component dimensions given in U.S. inches
1 inch = 25.4 mm

TRACTOR - MODEL NO. LGT54DXL (96043026100), PRODUCT NO. 960 43 02-61 CHASSIS

KEY NO.	PART NO.	DESCRIPTION	KEY NO.	PART NO.	DESCRIPTION
2	580 43 44-01	Drawbar	191	532 43 74-55	Insert Reflect. RH
3	532 44 44-81	Applique Husq.	194	873 90 05-00	Nut Lock Hex Flange 5/16-18
5	579 77 05-01	Dash	196	532 43 97-16	Console Asm. Deck Lift
14	532 44 11-77	Hood	199	532 19 82-59	Plate Deck Lift
15	532 43 97-33	Lens LH	202	532 43 97-28	Vent Side Hood RH
18	587 52 34-01	Grille	203	532 43 97-27	Vent Side Hood LH
25	532 44 33-85	Lens RH	204	532 43 57-14	Vent Asm Hood Top
36	817 06 05-12	Screw 5/16-18 x 3/4	205	532 43 97-30	Trim Hood Side RH
37	532 44 12-08	Fender	206	532 43 97-29	Trim Hood Side LH
58	532 19 43-14	Bracket Fender	207	587 46 48-01	Bezel RH
68	539 99 08-58	Screw Thdrol 5/16-18 x 1/2	208	587 46 45-01	Bezel LH
125	581 68 48-01	Clip Fuel Line	214	532 19 91-45	Clip Retainer
130	532 41 63-58	Screw #10 x 0.750 BOS Thread	217	532 40 91-67	Rod Pivot
137	532 40 75-90	Bumper Dash	221	532 19 89-09	Reflector LH
146	581 85 79-01	Bolt	228	532 19 51-61	Stud Fastener
150	532 43 97-74	Duct Heat Hood	235	532 40 61-29	Spacer Fender
151	532 43 66-70	Bracket Pivot Hood	236	873 93 05-00	Nut Center Lock 5/16-18 unc
152	532 43 98-70	Shield Browning	297	532 43 74-56	Insert Reflect. LH
159	817 00 06-12	Screw 3/8-16 x 3/4	306	873 90 06-00	Nut Lock
161	532 43 99-29	Console Fuel Window	335	532 44 82-04	Cover RH Lower
162	532 14 24-32	Screw Hex Wsh Hi-Lo 1/4 x 1/2	336	532 44 53-09	Cover LH Lower
165	532 19 43-30	Bracket Support Tank	350	532 44 51-43	Clip X-mas Tree
175	590 60 77-02	Crossmember	375	586 90 82-01	Dash Clip-On Bumper
176	532 40 07-76	Screw 10-24 x 5/8 Wshd Qdrx	379	593 20 69-02	Chassis Plate Reinforcement
177	532 19 52-28	Bushing Steering	- -	532 40 09-44	Bumper
180	593 34 63-01	Chassis			
182	586 73 86-02	Dash Lower			
183	874 52 05-20	Bolt 5/16-18 x 1-1/4			
189	817 00 05-12	Screw 5/16-18 x 3/4			

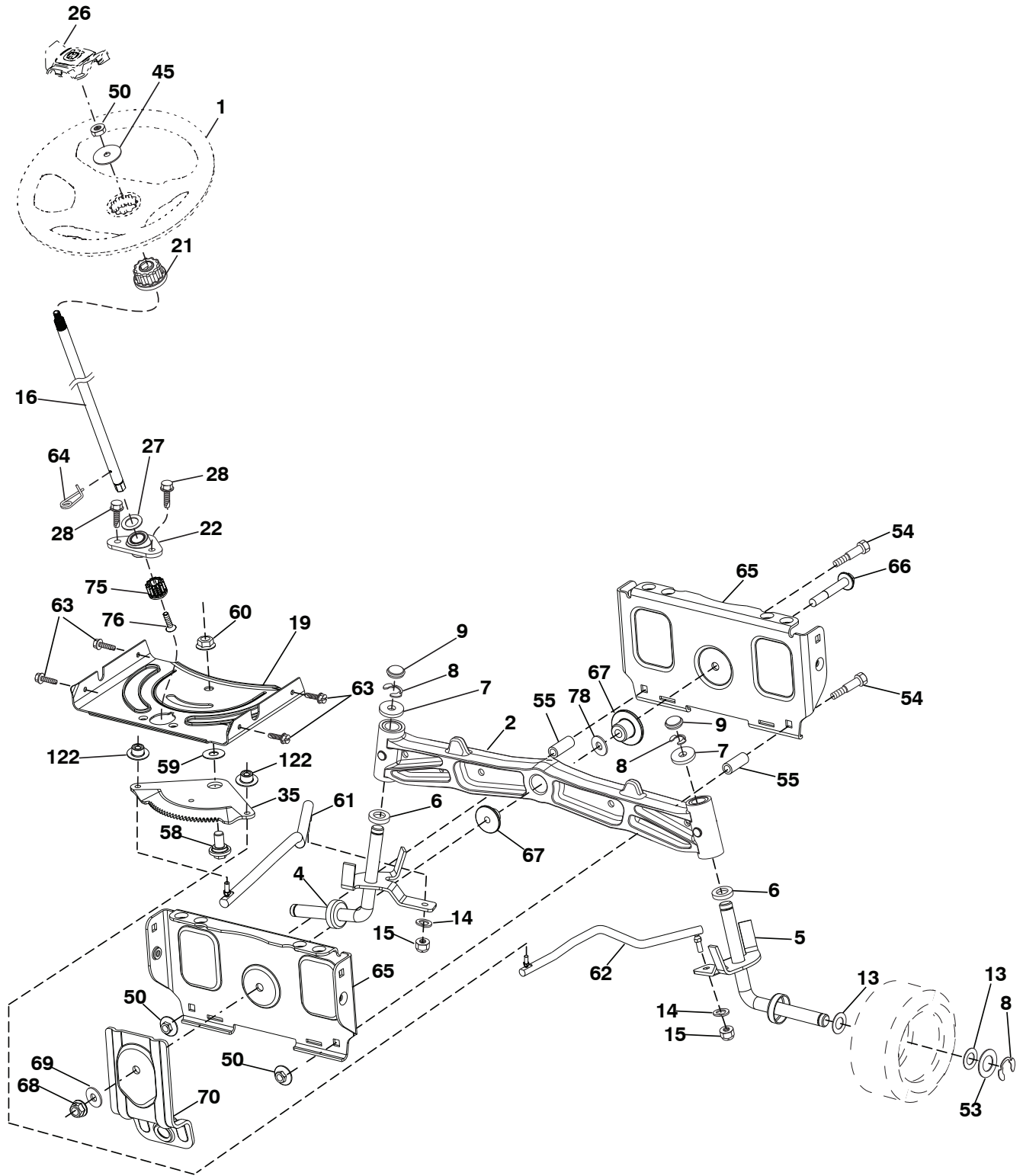
NOTE: All component dimensions given in U.S. inches
1 inch = 25.4 mm

TRACTOR - MODEL NO. LGT54DXL (96043026100), PRODUCT NO. 960 43 02-61 DRIVE

KEY NO.	PART NO.	DESCRIPTION	KEY NO.	PART NO.	DESCRIPTION
1	---	Transaxle, TUFFTORQ K46 AW (448354) (Order parts from trans-axle manufacturer.)	167	532 40 52-57	Latch Brake Parking
2	532 18 62-11	Key	170	532 41 34-30	Keeper Belt Centerspan
7	532 19 98-44	Hub Asm. Wheel Rear 22" TXGT .06	174	532 19 72-89	Nut Push
9	532 14 00-80	Bolt Hub Wheel Rear	175	532 40 62-08	Shaft Asm Shift
15	819 13 13-16	Washer 13/32 x 13/16 x 16 Ga.	176	532 19 62-14	Arm Clevis Rod Shift
17	532 41 36-78	Spring Brake	178	532 19 74-56	Spring Shift
22	532 19 73-29	Rod Shift	183	532 40 04-24	Spacer Split
23	532 14 08-45	Knob	184	587 65 37-01	Handle Parking Brake
29	532 40 38-06	Rod, Brake	185	872 11 06-22	Bolt Rdhd Sqnk 3/8-16 x 2-3/4 Gr. 5
33	812 00 00-01	Ring E	186	532 19 43-21	Spacer Retainer
35	583 86 45-01	Rod Brake Park	187	819 13 32-10	Washer
37	532 18 89-67	Washer Hardened	188	582 21 70-01	Link Clutch Ground Drive, Long
42	532 12 48-72	Cover Foot Pedal	189	532 19 43-17	Bellcrank Ground Drive
49	872 11 06-14	Bolt	190	532 19 43-18	Keeper Bellcrank Ground Drive
50	532 19 43-27	Pulley Idler Flat	196	817 00 06-16	Screw 3/8-16 x 1
51	873 90 06-00	Lock Nut 3/8-16	197	585 65 86-01	Link Clutch Anti-Rotation
52	532 19 43-26	Idler V-Groove	205	532 12 17-48	Washer
56	532 13 09-69	V-Belt Drive	211	532 19 62-12	Bushing Brake Shaft
64	532 19 62-00	Shaft Asm. Pedal Brake Control	220	532 19 89-08	Reflector RH
70	532 43 96-60	Console Asm.	221	532 40 31-87	Retainer Spring Clip Handle
73	874 49 05-60	Bolt Hex Flghd 5/16-18 3.75	225	532 40 33-19	Keeper Belt Trans.
74	532 14 24-32	Screw 1/4 x 1/2	227	817 49 05-12	Screw 5/16-18 x 3/4
99	532 41 57-43	Rod Bypass	231	532 40 72-87	Idler V-Groove 1.688" Offset
116	873 90 05-00	Nut Lock Hex Flange 5/16-18	233	532 40 52-96	Washer Serrated
125	817 00 05-12	Screw 5/16-18 x 3/4	276	874 78 07-16	Bolt 7/16-14 x 1 Gr. 5
153	532 12 47-88	Retainer Spring	279	532 40 62-07	Link Shift
159	876 02 04-12	Pin Cotter 1/8 x 3/4	325	585 99 57-02	Bracket
160	532 16 94-84	Retainer Clip	326	585 99 31-02	Bracket
161	532 10 57-09	Spring Return Clutch	334	585 88 22-02	Bracket
162	580 45 74-01	Spacer Transaxle 1"	336	587 25 96-01	Bolt
166	532 42 91-64	Nut Push			

NOTE: All component dimensions given in U.S. inches
1 inch = 25.4 mm

TRACTOR - MODEL NO. LGT54DXL (96043026100), PRODUCT NO. 960 43 02-61
STEERING ASSEMBLY



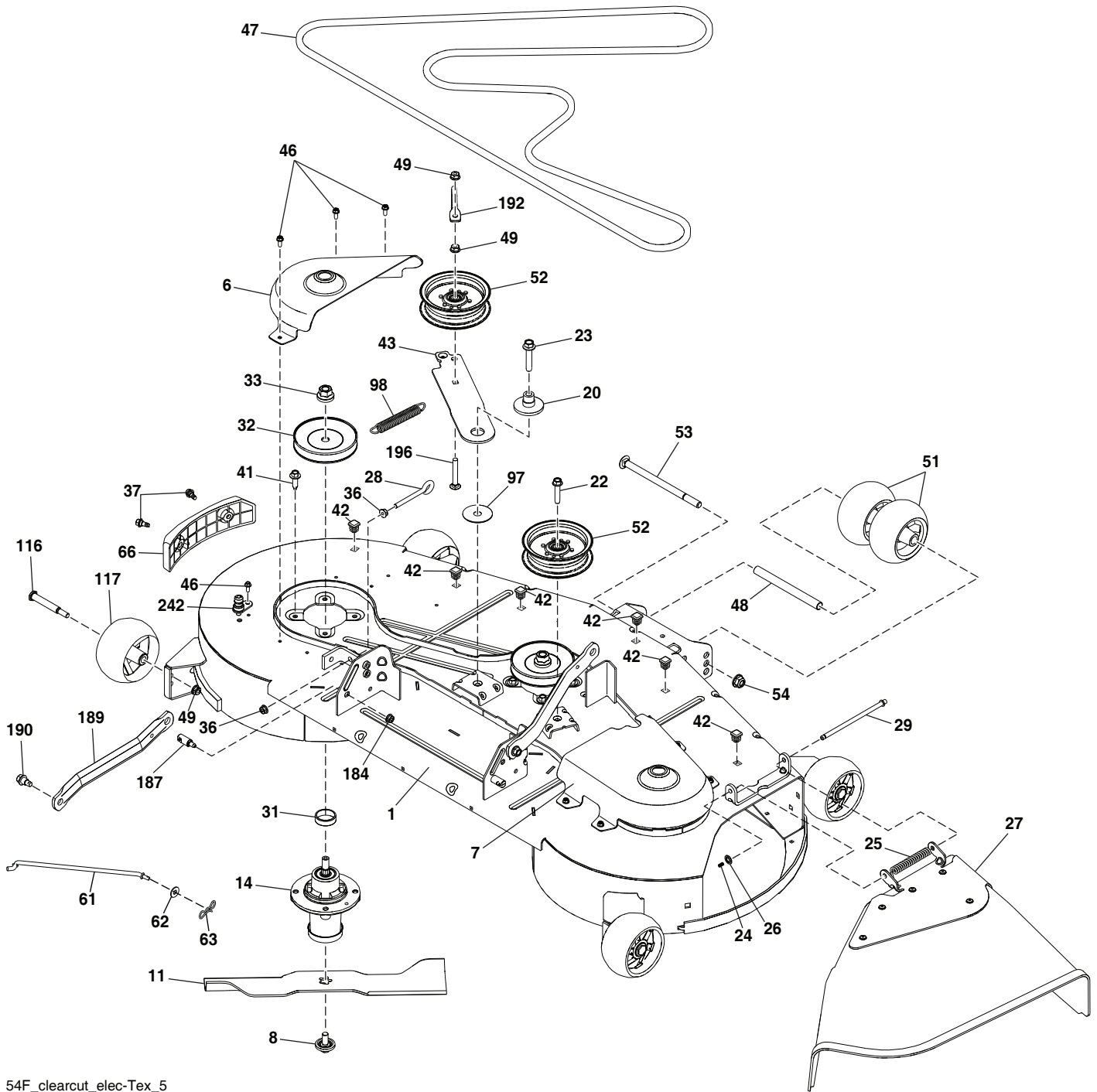
steering-tex_HUSQSR_63

**TRACTOR - MODEL NO. LGT54DXL (96043026100), PRODUCT NO. 960 43 02-61
STEERING ASSEMBLY**

KEY NO.	PART NO.	DESCRIPTION
1	532 43 97-40	Wheel, Steering
2	532 19 59-68	Axle Asm., Front
4	532 40 30-89	Spindle Asm., LH
5	532 40 30-90	Spindle Asm., RH
6	532 12 49-31	Bearing, Race Thrust Harden
7	532 12 17-48	Washer 25/32 x 1-5/8 x 16 Ga.
8	812 00 00-29	Ring, Klip #T5304-75
9	532 12 12-32	Cap, Spindle
13	532 12 17-49	Washer 25/32 x 1-1/4 x 16 Ga.
14	539 99 01-18	Washer, SLW ZD 3/8
15	873 54 06-00	Nut, Crown Lock 3/8-24 unf
16	587 01 60-02	Shaft Steering
19	532 19 47-29	Plate Steering
21	586 84 02-01	Adapter, Wheel Steering
22	585 02 99-01	Steering Support Lower
26	532 43 97-43	Insert, Wheel Steering
27	819 21 16-16	Washer 21/32 x 1 x 16 Ga.
28	817 00 06-12	Screw 3/8-16 x 3/4
35	532 19 47-32	Gear, Sector Plate
45	587 01 64-01	Washer 3/8 ID x 2-3/8 OD 12 Ga.
50	873 90 06-00	Nut Lock Flg. 3/8-16
53	532 18 89-67	Washer Hardened .793 x 1.637 x .060
54	874 76 06-36	Bolt Hex 3/8-16 x 2-1/4
55	532 41 47-36	Spacer Axle Brace
58	532 19 47-47	Bolt Shoulder Sector Pivot CFM
59	532 19 47-48	Washer Thrust Sector Steering
60	873 97 10-00	Nut Flange Lock 5/8-11
61	532 19 47-40	Draglink, LH
62	532 19 47-41	Draglink, RH
63	817 00 05-12	Screw 5/16-18 x 3/4
64	532 19 98-49	Retainer Clip Spring Steering
65	532 19 47-34	Brace Axle Front
66	871 02 07-48	Bolt Hex Fghd 7/16-14 x 3 Serr
67	532 19 47-37	Bushing Front Axle
68	873 90 07-00	Nut Lock Flange 7/16-14 Gr. 5
69	532 19 91-62	Washer 1.5 x .505 x .118
70	585 33 88-01	Bracket Deck Susp. Front
75	580 68 37-01	Pinion Steering Shaft
76	580 68 36-01	Screw Head Socket Flat
78	532 05 70-79	Washer Thrust
122	532 44 49-62	Cap Gear Sector

NOTE: All component dimensions given in U.S. inches
1 inch = 25.4 mm

**TRACTOR - MODEL NO. LGT54DXL (96043026100), PRODUCT NO. 960 43 02-61
MOWER DECK**



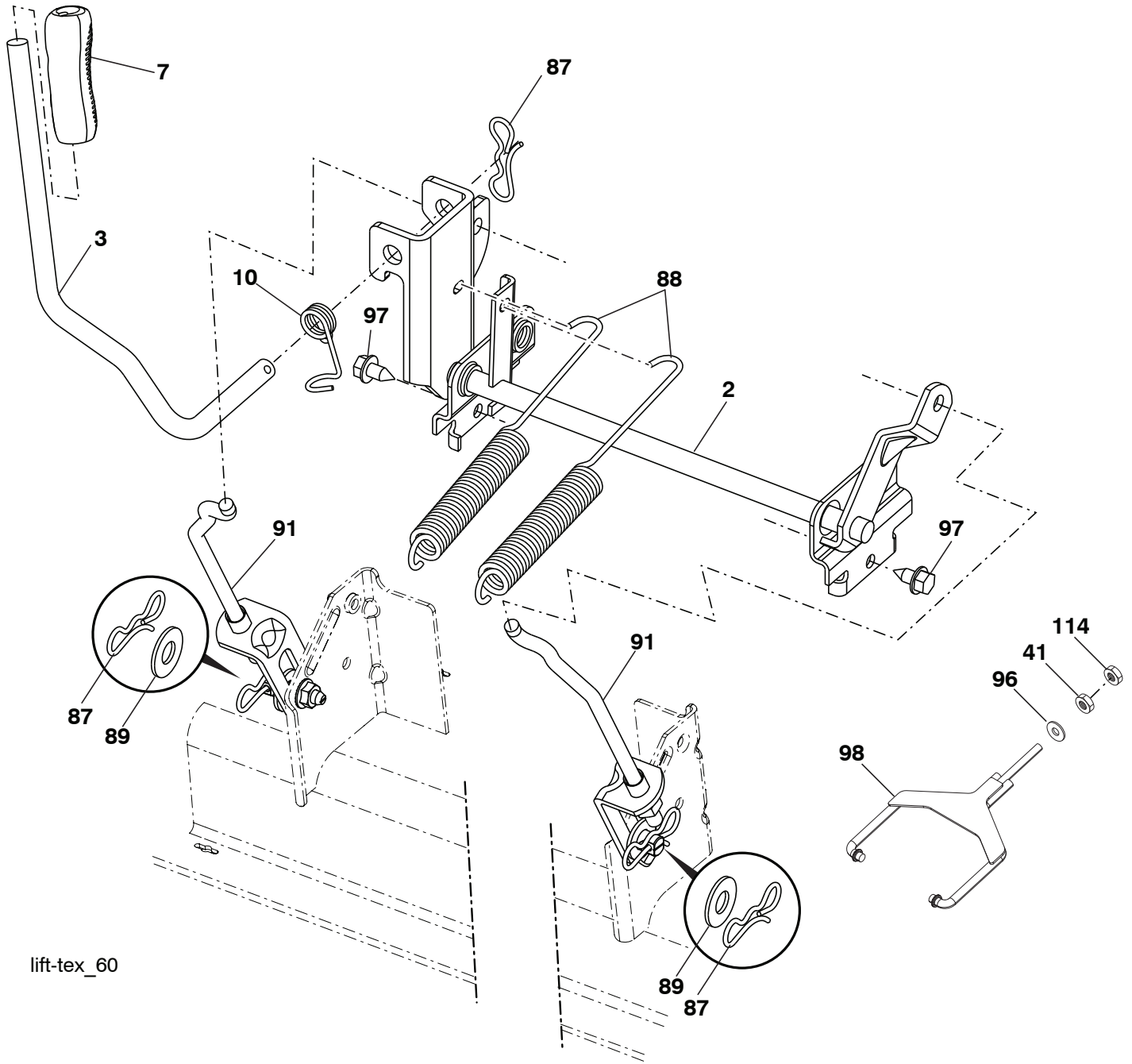
54F_clearcut_elec-Tex_5

**TRACTOR - MODEL NO. LGT54DXL (96043026100), PRODUCT NO. 960 43 02-61
MOWER DECK**

KEY NO.	PART NO.	DESCRIPTION	KEY NO.	PART NO.	DESCRIPTION
1	588 54 90-02	Deck Weldment Mower	52	532 19 73-79	Pulley Idler 4.50
6	590 30 43-03	Cover Mandrel LH	53	872 14 08-64	RHSNB 1/2-13 x 8 Gr. 5 ZD
7	590 30 42-03	Cover Mandrel RH	54	521 99 11-01	Nut 1/2-13 Hex Flg Nyloc ZD
8	532 19 30-03	Bolt/Washer Am 7/16-20	61	532 40 48-51	Rod Anti-Sway
11	582 76 05-08	Blade 54cc	62	819 13 13-12	Washer 13/32 x 13/16 x 12 Ga.
14	53911 21-70	Housing, Mandrel	63	532 19 42-08	Pin Cotter 5/16 Bow Tie Lock
20	532 19 72-36	Spacer Idler Pulley	66	590 73 25-01	Bumper Asm 54cc
22	817 49 06-28	Screw THDROL 3/8-16 x 1-3/4	97	532 17 85-15	Washer Hardened
23	588 43 83-01	Screw 7/16-14 x 2.125 Washer	98	587 35 84-01	Spring Drive
24	532 10 53-04	Cap Sleeve	116	532 19 34-06	Bolt, Shoulder
25	587 35 47-01	Spring, Torsion	117	532 17 48-73	Gauge Wheel
26	532 11 04-52	Nut, Push	184	873 90 05-00	Nut Lock Hex Flange 5/16-18
27	590 63 22-01	Deflector Shield	187	532 19 51-61	Stud Fastener w/"D" Anti-Rotation
28	539 11 55-74	Bolt Eye 5/16 x 3-1/2	189	532 19 51-85	Arm Susp. Mower Rear
29	532 13 14-91	Rod, Hinge	190	532 19 65-39	Bolt Shoulder
31	532 18 76-90	Washer Spacer Mandrel	192	532 19 84-68	Keeper Belt Idler
32	532 15 35-35	Pulley, Mandrel	196	872 14 06-20	Bolt Rdhd 3/8-16 unc x 2-1/2 Gr. 5
33	532 40 02-34	Nut, Flg. Top Lock	242	532 41 55-98	Port Washout
36	539 99 05-85	Nut 5/16-18 Hex	--	532 41 64-05	Coupling Quick Connect
37	532 17 01-65	Bolt Shoulder 5/16-18	--	592 61 89-01	Replacement Mower, Complete
41	584 95 39-01	Bolt Hex Wshr .313 - 18 x 1.19			
42	596 95 22-01	Plug, Hole, Square			
43	582 21 96-02	Arm, Idler			
46	532 13 77-29	Screw, Thdroll. 1/4-20 x 5/8			
47	582 23 63-01	V-Belt, Mower			
48	574 19 65-01	Tube Roller			
49	873 90 06-00	Nut, Lock Flg. 3/8-16 unc			
51	574 16 96-01	Roller Gauge			

NOTE: All component dimensions given in U.S. inches
1 inch = 25.4 mm

**TRACTOR - MODEL NO. LGT54DXL (96043026100), PRODUCT NO. 960 43 02-61
MOWER LIFT**



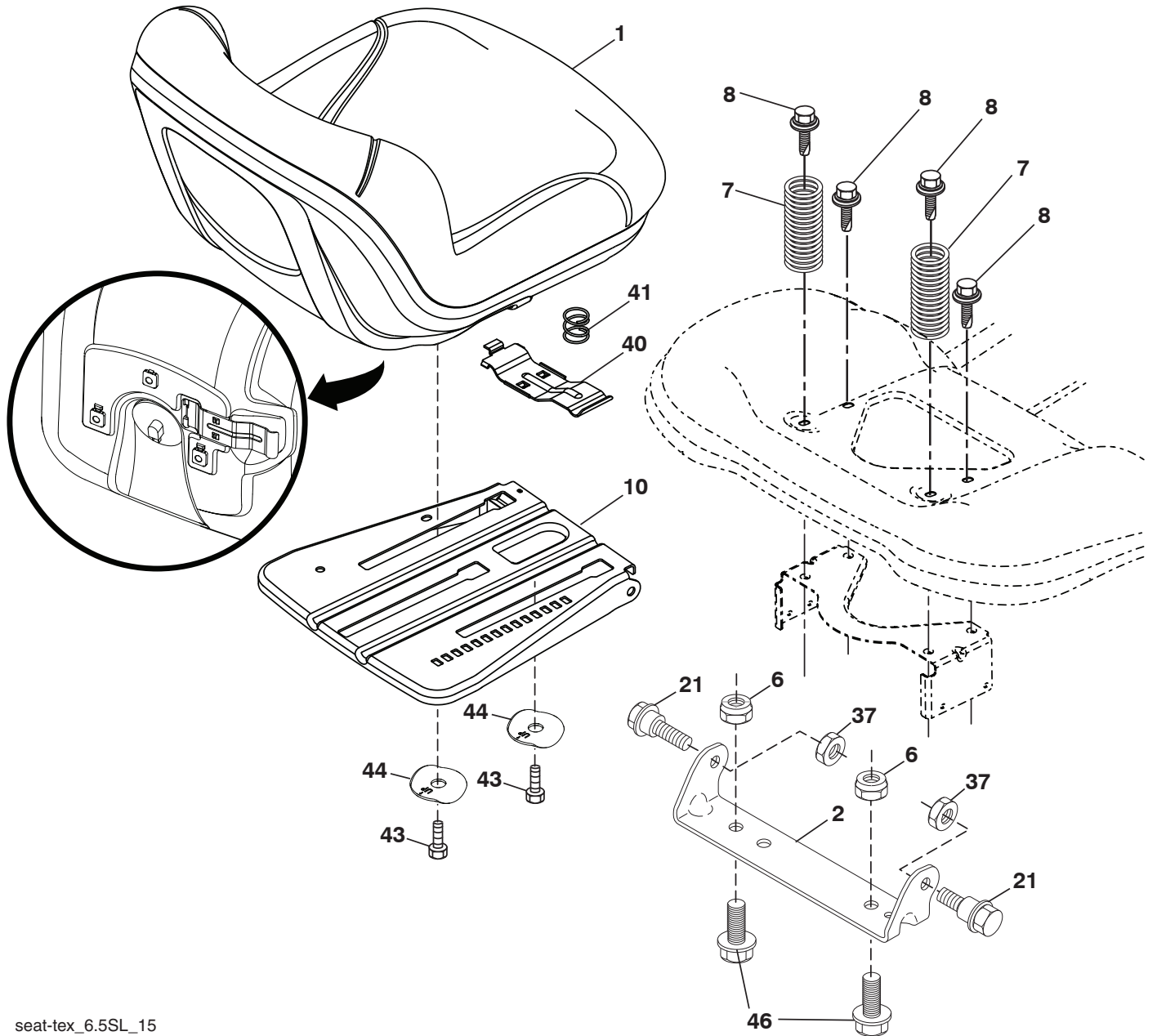
lift-tex_60

KEY NO.	PART NO.	DESCRIPTION
2	532 42 20-27	Shaft Asm., Lift
3	532 19 52-30	Lever Asm., Lift RH
7	580 96 23-01	Grip, Lever
10	532 19 63-14	Spring Torsion
41	532 17 59-94	Nut Lift Link
87	532 19 42-09	Pin Cotter 7/16 Bow Tie Lock
88	532 19 53-04	Spring Lift Assist
89	819 19 19-12	Washer Clear Zinc

KEY NO.	PART NO.	DESCRIPTION
91	532 40 34-07	Link Lift Susp Mower Rear
96	532 19 52-63	Bushing Spherical
97	817 00 06-12	Screw 3/8-16 x .75
98	589 31 87-03	Link Lift Susp. Front Mower
114	873 36 07-00	Nut Jam 7/16-20

NOTE: All component dimensions given in U.S. inches
1 inch = 25.4 mm

**TRACTOR - MODEL NO. LGT54DXL (96043026100), PRODUCT NO. 960 43 02-61
SEAT ASSEMBLY**



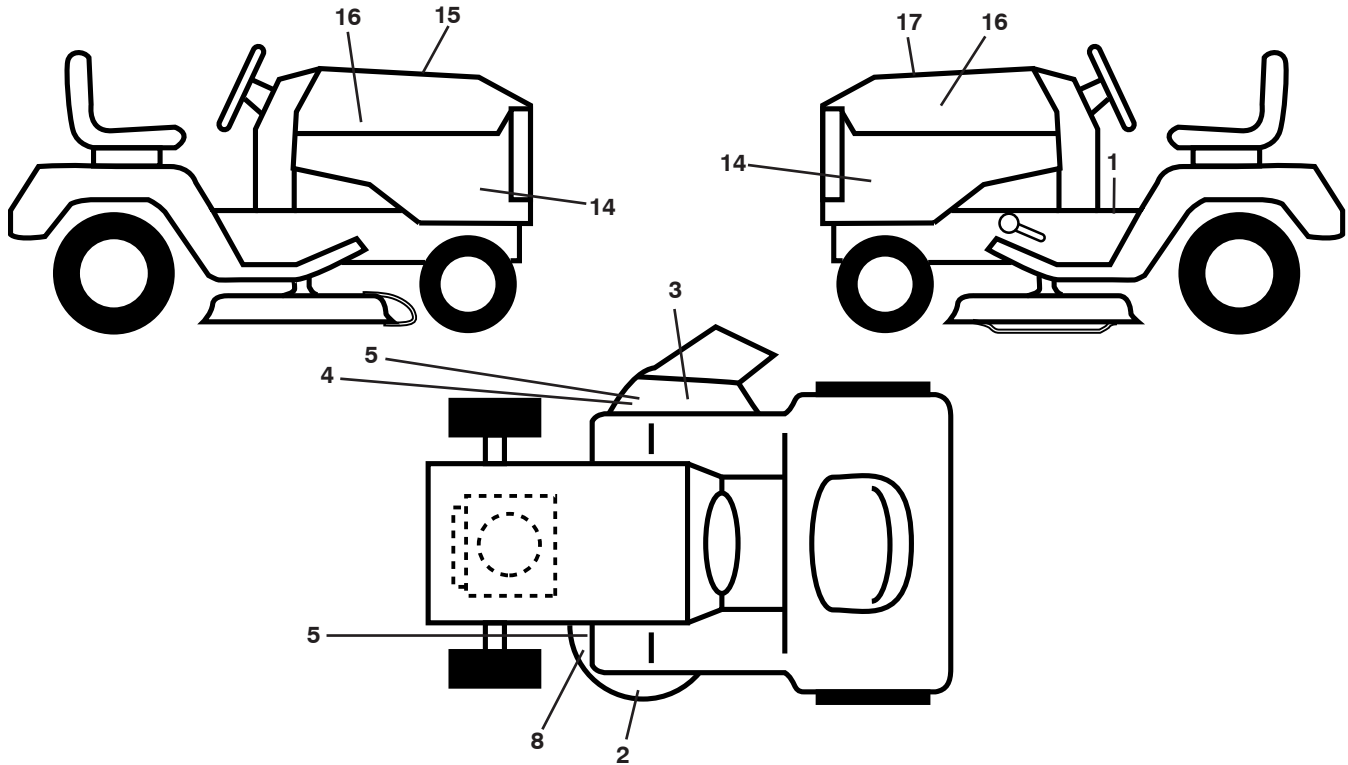
seat-tex_6.5SL_15

KEY NO.	PART NO.	DESCRIPTION
1	532 43 98-22	Seat
2	532 18 01-66	Bracket Pivot Fender
6	873 80 06-00	Nut, Lock w/Ins. 3/8-16 unc
7	589 48 35-01	Spring, Seat Cprsn
8	532 17 18-77	Bolt 5/16-18 unc x 3/4 w/Sems
10	587 23 20-02	Pan, Seat
21	587 90 78-01	Bolt, Shoulder 5/16-18 x 5/8
37	873 80 05-00	Nut, Lock 5/16-18 unc

KEY NO.	PART NO.	DESCRIPTION
40	532 19 76-61	Handle Slide Seat
41	532 19 82-00	Spring Latch Seat
43	874 76 06-12	Bolt 3/8-16 x 3/4
44	501 05 18-01	Washer Winged 3/8 ID 1.5 OD
46	588 09 04-01	Bolt 3/8-16 x 1, 1.25 OD

NOTE: All component dimensions given in U.S. inches
1 inch = 25.4 mm

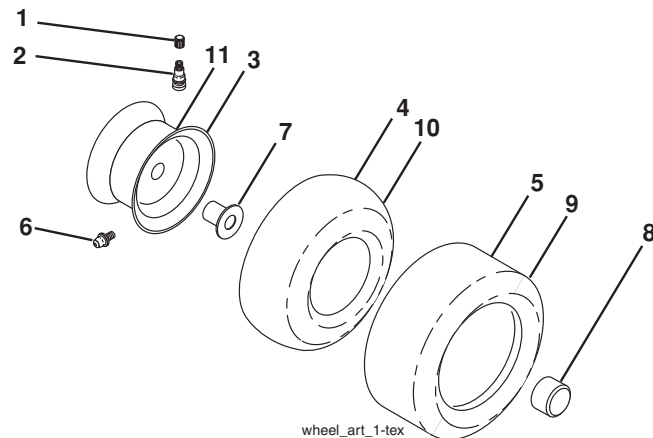
**TRACTOR - MODEL NO. LGT54DXL (96043026100), PRODUCT NO. 960 43 02-61
DECALS**



KEY PART NO.	PART NO.	DESCRIPTION
1	581 57 89-01	Decal, Warning
2	590 88 51-01	Decal, Clear Cut
3	586 97 88-01	Decal, Deflect. Warning
4	591 16 47-01	Decal, Deck Belt Routing
5	589 35 79-01	Decal, Clear Cut No Step
8	592 89 83-01	Decal, Deck Clearcut Warranty
14	593 29 55-01	Decal, Panel Side
15	532 42 38-29	Decal, Warning Customer Resp.
16	581 62 73-01	Decal, Hood Logo
17	593 27 22-01	Decal, Replacement
--	581 72 48-01	Decal, Bypass
--	532 43 98-82	Pad, Footrest, LH

KEY PART NO.	PART NO.	DESCRIPTION
--	532 44 15-42	Pad, Footrest, RH
--	115 96 40-49	Manual, Operator's (English/Spanish)
--	115 96 42-70	Manual, Operator's (Portuguese)
--	115 96 41-49	Manual, Parts (English/Spanish)
--	115 96 43-70	Manual, Parts (Portuguese)
--	587 71 00-26	Quick Start Guide (English/Spanish)

WHEELS AND TIRES

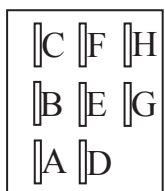
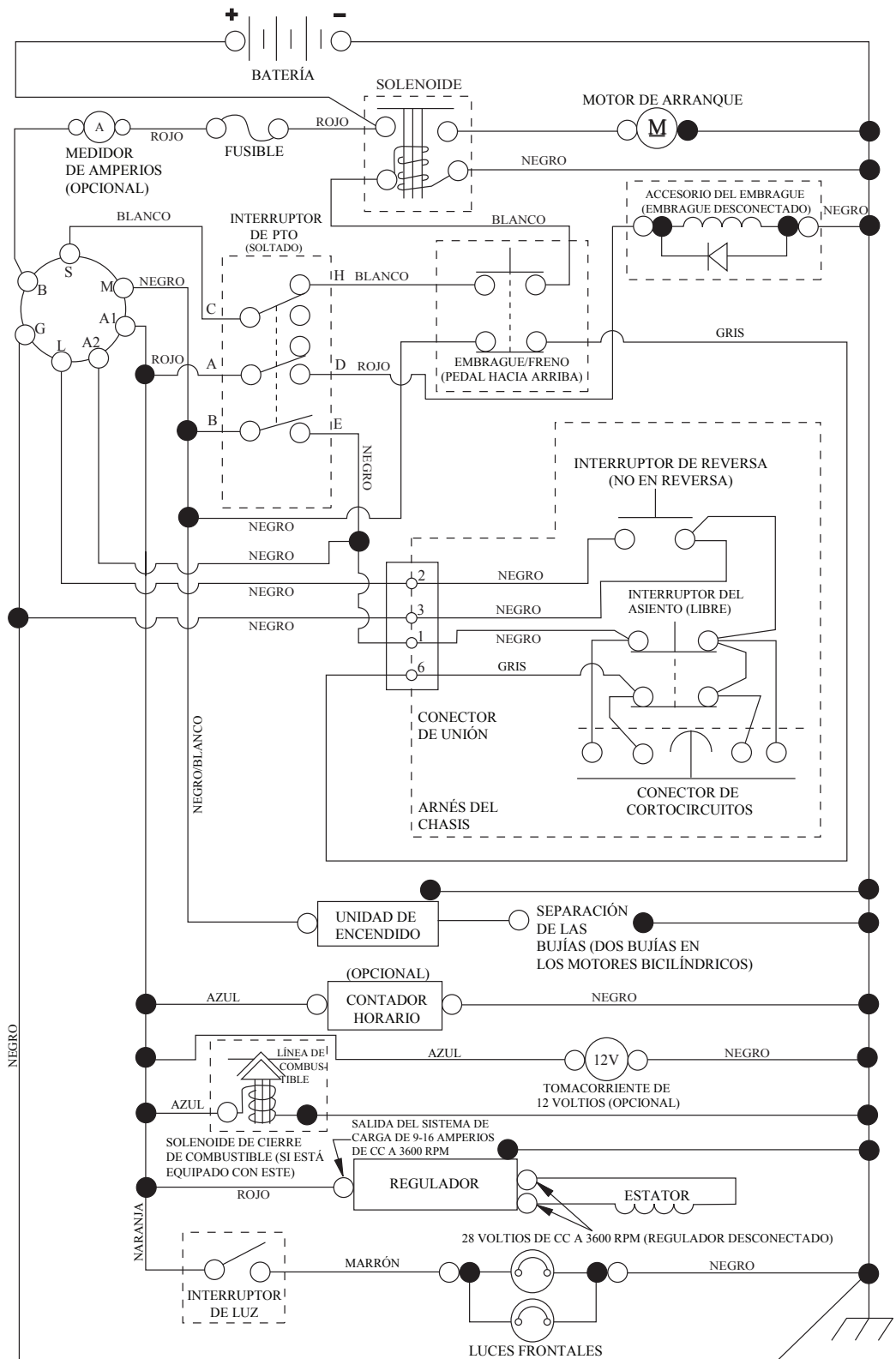


KEY PART NO.	PART NO.	DESCRIPTION
1	532 05 91-92	Cap, Valve, Tire
2	532 06 51-39	Stem, Valve
3	532 18 18-39	Rim Assembly, Front
4	532 00 81-34	Tube, Front (Service Item Only)
5	532 10 62-30	Tire, Front
6	532 12 49-57	Fitting, Grease (Front Wheel Only)
7	532 12 49-59	Bearing, Flange (Front Wheel Only)
8	532 17 50-39	Cap, Axle
9	532 18 47-08	Tire, Rear
10	532 00 71-54	Tube, Rear (Service Item Only)
11	532 40 17-82	Rim Assembly, Rear
--	532 14 43-34	Sealant, Tire (10 oz. Tube)

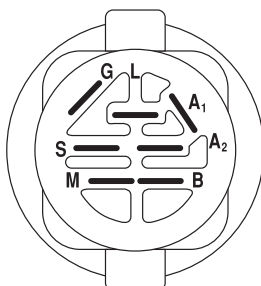
NOTE: All component dimensions given in U.S. inches
1 inch = 25.4 mm

TRACTOR MODELO NO. LGT54DXL (96043026100), PRODUCTO NO. 960 43 02-61 DIAGRAMA

SCH12-s

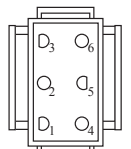


INTERRUPTOR DE PTO (CARA DE ACOPLAMIENTO)

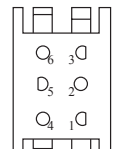


INTERRUPTOR DE ENCENDIDO

POSICIÓN	CIRCUITO «MARCA»
APAGADO	M+G+A1
PONER EN FUNCIONAMIENTO/ANULAR	B+A1
PONER EN FUNCIONAMIENTO	B+A1 L+A2
ARRANCAR	B + S + A1



CONEXIÓN DEL ARNÉS DEL CHASIS (LATERAL QUE COINCIDA)

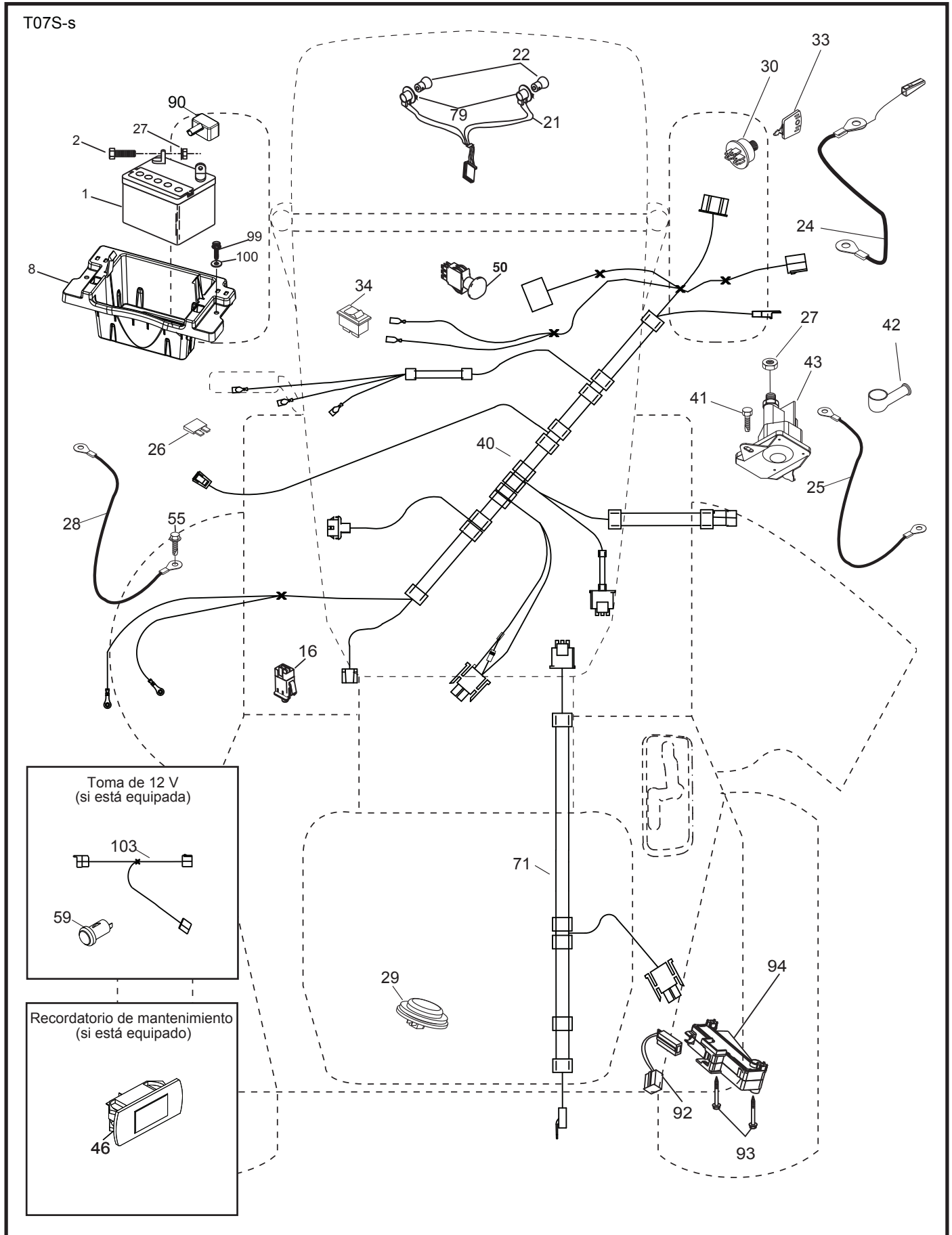


CONEXIÓN PARA EL ARNÉS DEL TABLERO

NOTA SOBRE LAS ABRAZADERAS DE AISLAMIENTO DEL CABLEADO: SI SE QUITAN LAS ABRAZADERAS DE AISLAMIENTO DEL CABLEADO PARA HACER EL MANTENIMIENTO DE LA UNIDAD, SE LAS DEBERÁ INSTALAR NUEVAMENTE PARA PROTEGER EL CABLEADO ADECUADAMENTE.



**TRACTOR MODELO NO. LGT54DXL (96043026100), PRODUCTO NO. 960 43 02-61
DIAGRAMA ELÉCTRICO**

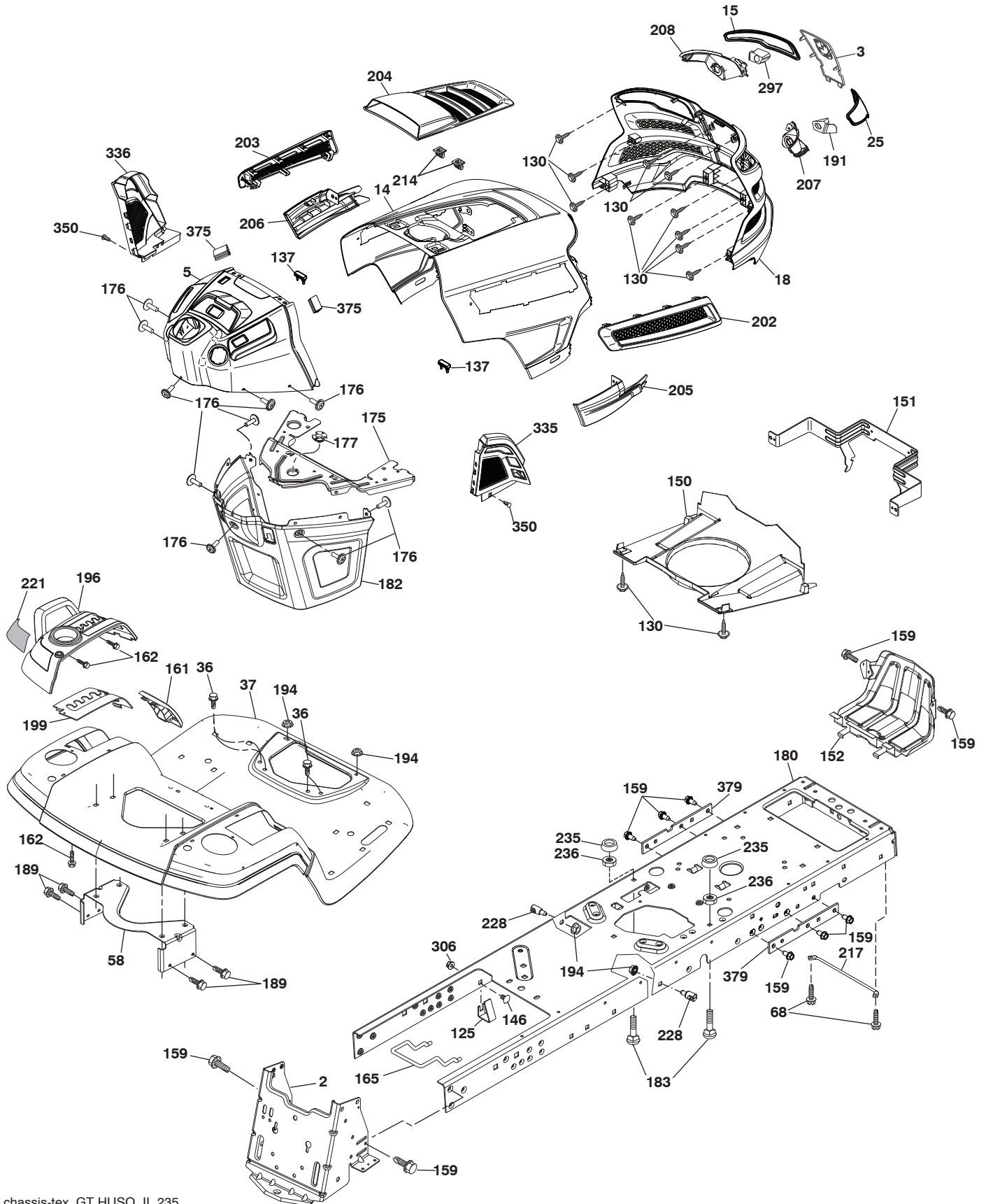


**TRACTOR MODELO NO. LGT54DXL (96043026100), PRODUCTO NO. 960 43 02-61
DIAGRAMA ELÉCTRICO**

CÓDIGO NO.	PIEZA NO.	DESCRIPCIÓN
1	532 16 34-65	Batería
2	874 76 04-12	Perno de cabeza hexagonal de 1/4-20 x 3/4
8	587 20 51-01	Caja de la batería
16	532 17 61-38	Interruptor corta corriente a presión
21	532 40 02-52	Cableado del enchufe para la luz
22	532 00 41-52	Bombilla de luz
24	585 55 56-01	Cable
25	585 55 55-01	Cable
26	532 17 51-58	Fusible
27	873 51 04-00	Tuerca hexagonal Keps de 1/4-20 unc
28	532 41 65-88	Cable a tierra
29	532 40 15-45	Interruptor del asiento
30	532 19 33-50	Interruptor de encendido
33	532 41 19-35	Llave/cadena
34	532 11 07-12	Interruptor de luz/de restauración
40	501 13 29-01	Cableado del tablero de encendido
41	817 72 04-08	Tornillo
42	532 13 15-63	Cubierta de la terminal
43	582 04 28-01	Solenoide
46	586 16 18-01	Indicador SRVCMNDR HRMTR
50	582 10 76-04	Interruptor
55	817 06 05-12	Tornillo de 5/16-18 x 3/4
59	532 40 03-03	Enchufe, 12V
71	532 19 42-76	Cableado de encendido
79	532 17 52-42	Enchufe de cierre por torsión del ensamble de la bombilla
90	532 43 53-95	Tapa de los bornes de la batería
92	532 19 66-15	Cableado de interruptor retroceder
93	532 19 25-40	Tornillo 10-14 x 2.00
94	532 19 18-34	Módulo retroceder ROS
99	817 67 04-12	Tornillo 1/4-20 x 3/4
100	819 09 14-16	Arandela
103	532 40 79-62	Cable 12V

NOTA: Las dimensiones de todos los componentes están expresadas en pulgadas americanas.
1 pulgada = 25,4 mm

**TRACTOR MODELO NO. LGT54DXL (96043026100), PRODUCTO NO. 960 43 02-61
CHASIS**



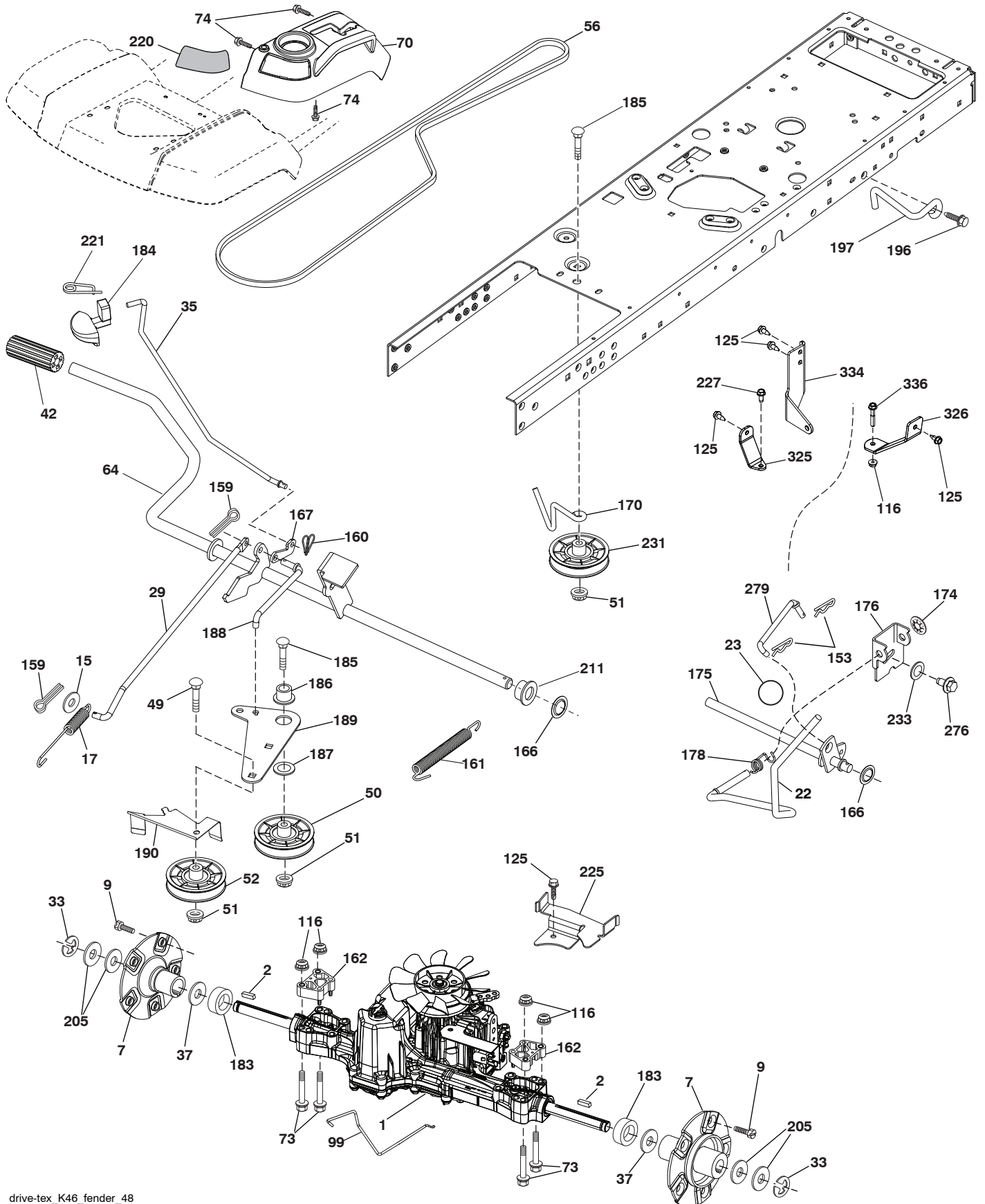
chassis-tex_GT HUSQ_II_235

TRACTOR MODELO NO. LGT54DXL (96043026100), PRODUCTO NO. 960 43 02-61 CHASIS

CÓDIGO No.	PIEZA No.	DESCRIPCIÓN	CÓDIGO No.	PIEZA No.	DESCRIPCIÓN
2	580 43 44-01	Barra de tracción	194	873 90 05-00	Tuerca 5/16-18
3	532 44 44-81	Aplica	196	532 43 97-16	Ensamble de la consola de la plataforma de elevación
5	579 77 05-01	Tablero	199	532 19 82-59	Plataforma de elevación
14	532 44 11-77	Capota	202	532 43 97-28	Salida de Ventilación (LD)
15	532 43 97-33	Lente izquierdo de la parrilla	203	532 43 97-27	Salida de Ventilación (LI)
18	587 52 34-01	Parrilla	204	532 43 57-14	Salida de Ventilación superior
25	532 44 33-85	Lente derecho de la parrilla	205	532 43 97-30	Camisa de Capota (LD)
36	817 06 05-12	Tornillo 5/16-18 x 3/4	206	532 43 97-29	Camisa de Capota (LI)
37	532 44 12-08	Guardabarros	207	587 46 48-01	Bisel derecho
58	532 19 43-14	Soporte	208	587 46 45-01	Bisel izquierdo
68	539 99 08-58	Tornillo 5/16-18 x 1/2	214	532 19 91-45	Cierre
125	581 68 48-01	Soporte	217	532 40 91-67	Varilla giratoria
130	532 41 63-58	Tornillo #10 x 0.750	221	532 19 89-09	Reflector (LI)
137	532 40 75-90	Cubierta Tablero	228	532 19 51-61	Sujetador del travesaño
146	581 85 79-01	Perno	235	532 40 61-29	Separador del guardabarros
150	532 43 97-74	Cubierta térmica del conducto	236	873 93 05-00	Tuerca 5/16-18 unc
151	532 43 66-70	Soporte	297	532 43 74-56	Parrilla reflector (LI)
152	532 43 98-70	Protector contra oscurecimiento	306	873 90 06-00	Tuerca
159	817 00 06-12	Tornillo 3/8-16 x 3/4	335	532 44 82-04	Cubierta (LD)
161	532 43 99-29	Ventana	336	532 44 53-09	Cubierta (LI)
162	532 14 24-32	Tornillo 1/4 x 1/2	350	532 44 51-43	Clip del árbol de navidad
165	532 19 43-30	Soporte	375	586 90 82-01	Cubierta Capota
175	590 60 77-02	Travesaño	379	593 20 69-02	Refuerzo de la placa del chasis
176	532 40 07-76	Tornillo 10-24 x 5/8	--	532 40 09-44	Parachoques
177	532 19 52-28	Buje de soporte del guardabarros de carga			
180	593 34 63-01	Chasis			
182	586 73 86-02	Tablero			
183	874 52 05-20	Perno 5/16-18 x 1-1/4			
189	817 00 05-12	Tornillo 5/16-18 x 3/4			
191	532 43 74-55	Parrilla reflector (LD)			

NOTA: Las dimensiones de todos los componentes están expresadas en pulgadas americanas. 1 pulgada = 25,4 mm

TRACTOR MODELO NO. LGT54DXL (96043026100), PRODUCTO NO. 960 43 02-61
TRANSMISIÓN



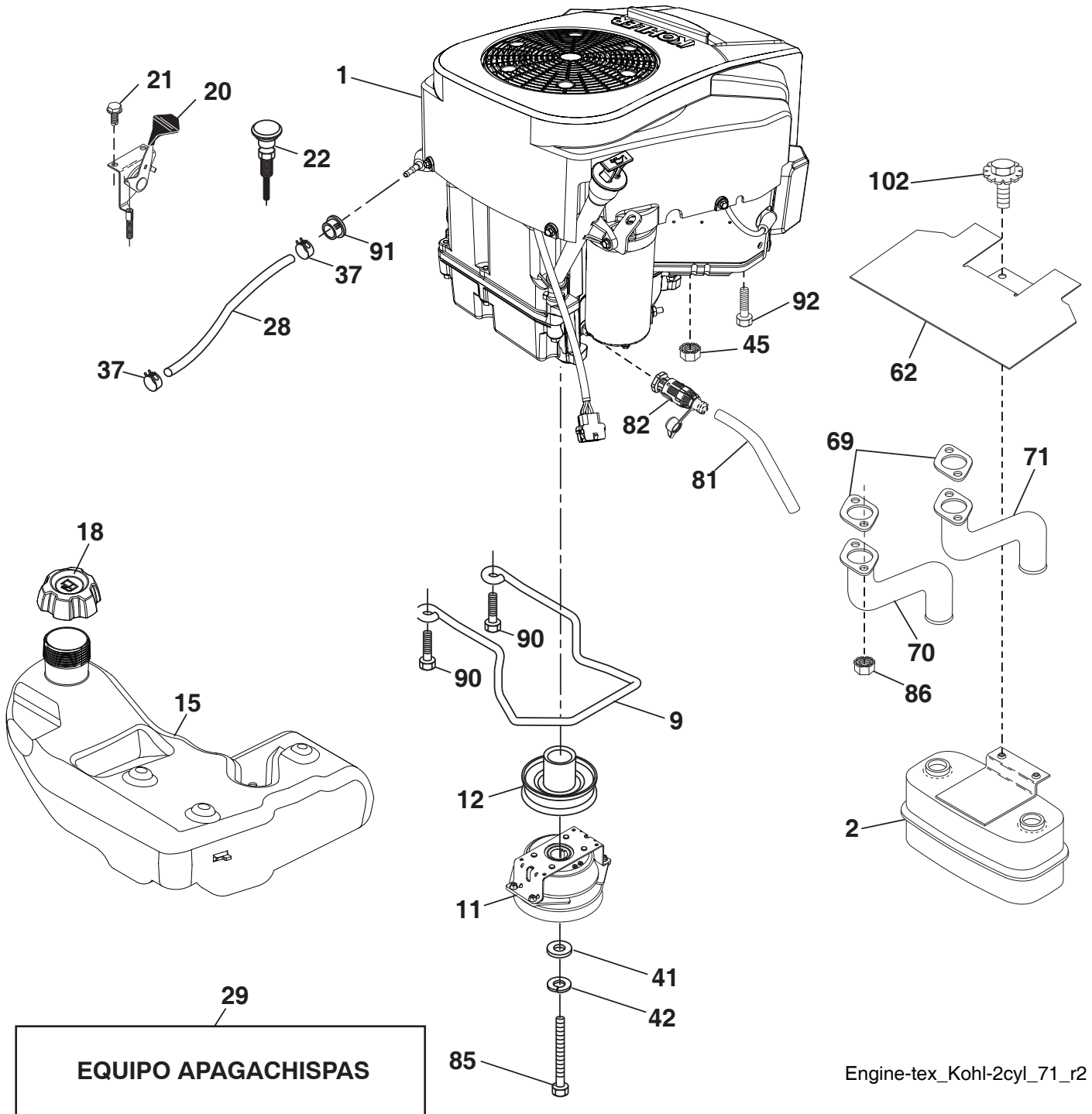
drive-tex_K46_fender_48

**TRACTOR MODELO NO. LGT54DXL (96043026100), PRODUCTO NO. 960 43 02-61
TRANSMISIÓN**

CÓDIGO NO.	PIEZA NO.	DESCRIPCIÓN	CÓDIGO NO.	PIEZA NO.	DESCRIPCIÓN
1	---	Transeje, TUFFTORQ K46 AW (448354) (Haga el pedido de las piezas al fabricante del transeje.)	175	532 40 62-08	Ensamble del eje
			176	532 19 62-14	Brazo
			178	532 19 74-56	Resorte
2	532 18 62-11	Llave	183	532 40 04-24	Separador
7	532 19 98-44	Ensamble del cubo trasero 22" TX GT .06	184	587 65 37-01	Manija del freno de mano
			185	872 11 06-22	Perno 3/8-16 x 2-3/4 Gr. 5
9	532 14 00-80	Perno	186	532 19 43-21	Espaciador de retención
15	819 13 13-16	Arandela 13/32 x 13/16 x calibre 16	187	819 13 32-10	Arandela
17	532 41 36-78	Resorte de freno	188	582 21 70-01	Mecanismo de desplazamiento de la varilla de mando del embrague del largo
22	532 19 73-29	Varilla			
23	532 14 08-45	Perilla			
29	532 40 38-06	Varilla del freno	189	532 19 43-17	Palanca acodada del mecanismo de desplazamiento
33	812 00 00-01	Aro "E"			
35	583 86 45-01	Varilla del freno de mano	190	532 19 43-18	Sujetador de la palanca acodada del mecanismo de desplazamiento
37	532 18 89-67	Arandela			
42	532 12 48-72	Cubierta del pedal	196	817 00 06-16	Tornillo 3/8-16 x 1
49	872 11 06-14	Perno	197	585 65 86-01	Mecanismo de desplazamiento
50	532 19 43-27	Polea loca plana	205	532 12 17-48	Arandela
51	873 90 06-00	Tuerca de presión de 3/8-16	211	532 19 62-12	Buje
52	532 19 43-26	Polea loca con ranura en V con un desplazamiento	220	532 19 89-08	Reflector derecho
			221	532 40 31-87	Abrazadera de retención del resorte de la manija
56	532 13 09-69	Correa trapezoidal de la transmisión			
64	532 19 62-00	Ensamble del eje Control del pedal de freno	225	532 40 33-19	Sujetador de la correa
			227	817 49 05-12	Tornillo 5/16-18 x 3/4
70	532 43 96-60	Ensamble de la consola	231	532 40 72-87	Polea loca con ranura en V con un desplazamiento de 1.688"
73	874 49 05-60	Perno 5/16-18 3.75			
74	532 14 24-32	Tornillo 1/4 x 1/2	233	532 40 52-96	Arandela
99	532 41 57-43	Varilla de desviación	276	874 78 07-16	Perno 7/16-14 x 1 Gr. 5
116	873 90 05-00	Tuerca 5/16-18	279	532 40 62-07	Acoplamiento
125	817 00 05-12	Tornillo 5/16-18 x 3/4	325	585 99 57-02	Soporte
153	532 12 47-88	Retén del resorte	326	585 99 31-02	Soporte
159	876 02 04-12	Pasador de chaveta de 1/8 x 3/4	334	585 88 22-02	Soporte
160	532 16 94-84	Abrazadera de retención	336	587 25 96-01	Perno
161	532 10 57-09	Resorte de retorno del embrague			
162	580 45 74-01	Separador de transeje 1"			
166	532 42 91-64	Tuerca			
167	532 40 52-57	Pestillo del freno de mano			
170	532 41 34-30	Sujetador de la correa central			
174	532 19 72-89	Tuerca			

NOTA: Las dimensiones de todos los componentes están expresadas en pulgadas americanas.
1 pulgada = 25,4 mm

TRACTOR MODELO NO. LGT54DXL (96043026100), PRODUCTO NO. 960 43 02-61
MOTOR



Engine-tex_Kohl-2cyl_71_r2

**TRACTOR MODELO NO. LGT54DXL (96043026100), PRODUCTO NO. 960 43 02-61
MOTOR**

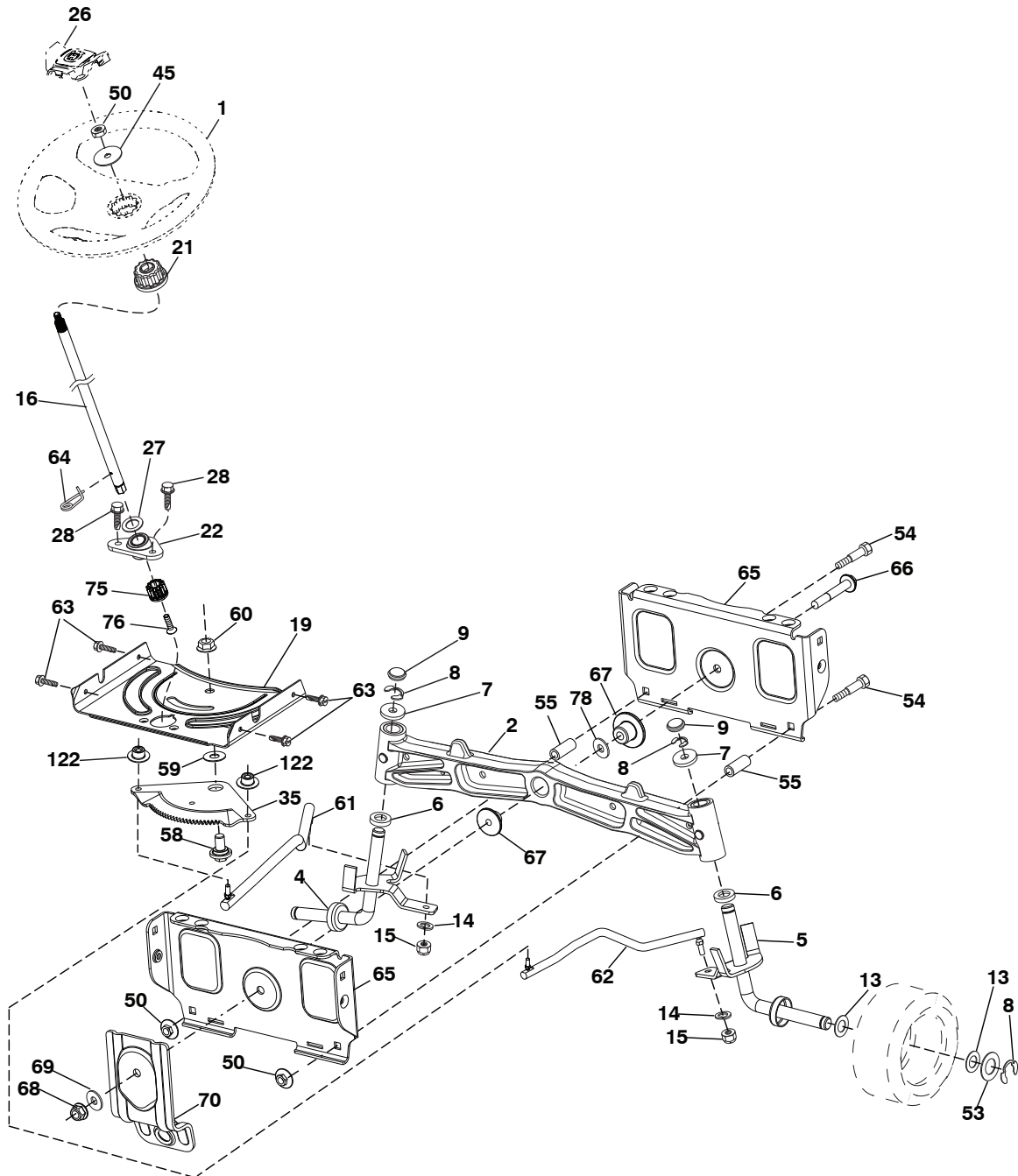
CÓDIGO NO.	PIEZA NO.	DESCRIPCIÓN
1	-----	Motor Kohl modelo No. KT740-3044 (501350401) (Haga el pedido de las piezas al fabricante del motor.)
2	589 81 87-01	Silenciador
9	501 83 26-02	Ensamble del sujetador de la correa del motor
11	587 24 14-01	Embrague de eléctrico
12	532 19 43-43	Polea del motor
15	532 43 80-16	Tanque de Gasolina de 4,0
18	585 12 48-01	Ensamble de la tapa
20	532 18 29-37	Control del regulador
21	532 41 63-58	Tornillo No. 10 x 0,75 con rosca reforzada
22	532 19 15-96	Control del obturador
28	587 04 48-60	Línea de combustible
29	532 13 71-80	Equipo apagachispas
37	532 12 34-87	Abrazadera de la manguera
41	532 12 61-97	Arandela 1-1/2 x 15/32 x .250
42	539 99 02-47	Arandela de presión de 7/16
45	873 51 04-00	Tuerca
62	532 43 40-17	Silenciador con pantalla térmica
69	532 18 60-54	Junta
70	583 95 45-01	Tubo de escape izquierdo
71	583 95 48-01	Tubo de escape derecho
81	532 14 84-56	Tubo de fácil drenaje de aceite
82	532 42 82-87	Aceite drenaje válvula
85	501 60 69-01	Perno de 7/16-20 x 3.0 Gr. 5
86	532 18 43-62	Tuerca brida hexagonal
90	817 00 06-16	Tornillo de 3/8-16 x 1
91	532 18 74-95	Buje
92	817 12 06-16	Tornillo de 3/8-16 x 1
102	817 00 05-12	Tornillo 5/16-18 x 3/4

NOTA: Las dimensiones de todos los componentes están expresadas en pulgadas americanas.
1 pulgada = 25,4 mm

Para las piezas del servicio y de recambio del motor, llame el número gratis para su fabricante del motor enumerado abajo:

Kohler Co. 1-800-544-2444

TRACTOR MODELO NO. LGT54DXL (96043026100), PRODUCTO NO. 960 43 02-61
ENSAMBLE DE LA DIRECCIÓN



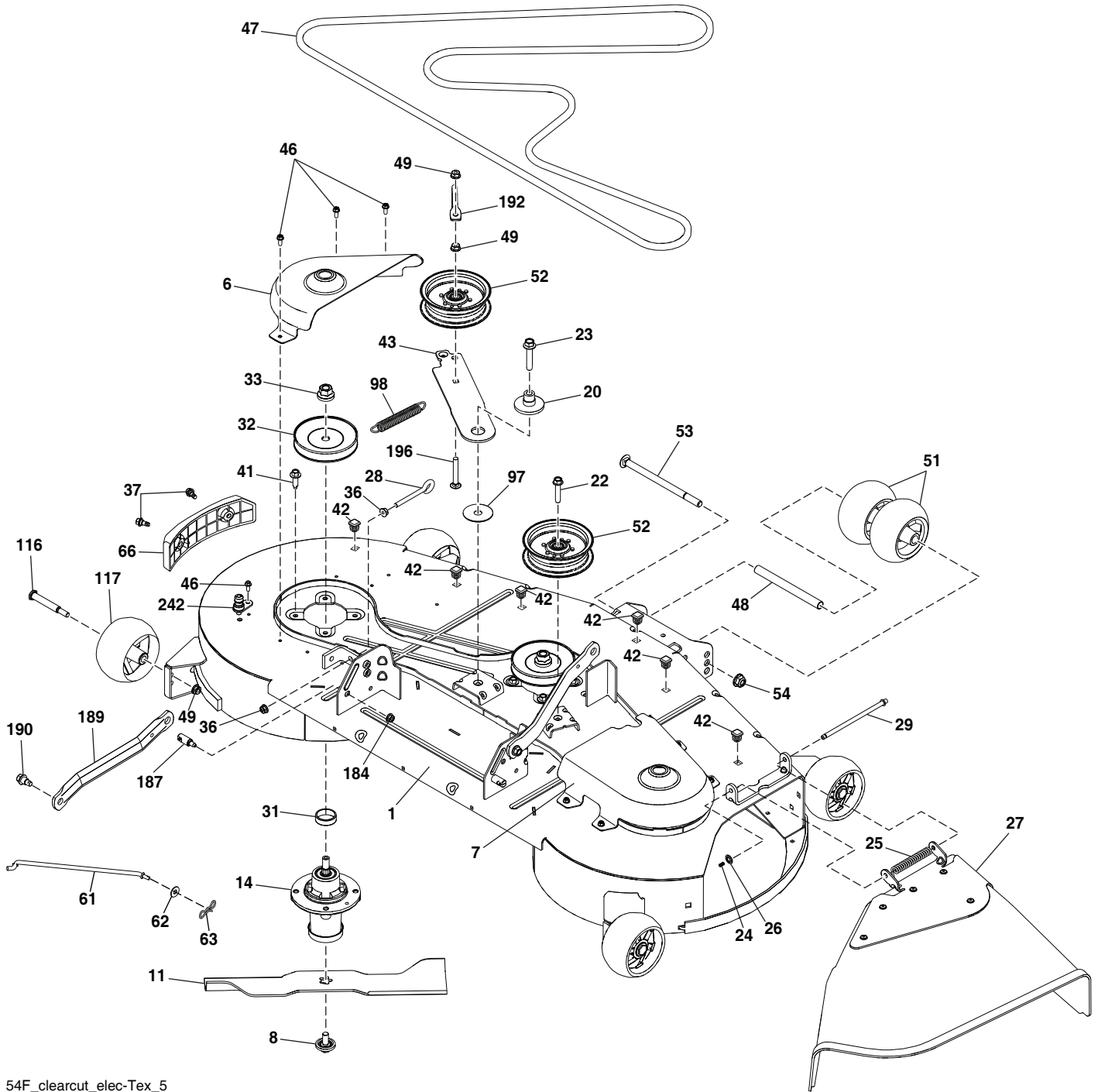
steering-tex_HUSQSR_63

**TRACTOR MODELO NO. LGT54DXL (96043026100), PRODUCTO NO. 960 43 02-61
ENSAMBLE DE LA DIRECCIÓN**

CÓDIGO NO.	PIEZA NO.	DESCRIPCIÓN
1	532 43 97-40	Volante de dirección
2	532 19 59-68	Ensamble del eje delantero
4	532 40 30-89	Ensamble del husillo izquierdo
5	532 40 30-90	Ensamble del husillo derecho
6	532 12 49-31	Pista del rodamiento para reforzar el impulso
7	532 12 17-48	Arandela de 25/32 x 1-5/8 calibre 16
8	812 00 00-29	Abrazadera del aro No. T5304-75
9	532 12 12-32	Tapa del husillo
13	532 12 17-49	Arandela de 25/32 x 1-1/4 calibre 16
14	539 99 01-18	Arandela SLW ZD 3/8
15	873 54 06-00	Tuerca de 3/8-24 unf
16	587 01 60-02	Eje de dirección
19	532 19 47-29	Placa de dirección
21	586 84 02-01	Adaptador del volante de dirección
22	585 02 99-01	Rodamiento
26	532 43 97-43	Inserto del volante de dirección
27	819 21 16-16	Arandela
28	817 00 06-12	Tornillo de 3/8-16 x 3/4
35	532 19 47-32	Engranaje del sector de la placa
45	587 01 64-01	Arandela 3/8 ID 2-3/8 OD calibre 12 PLTD
50	873 90 06-00	Tuerca 3/8-16 unc
53	532 18 89-67	Arandela reforzada de 793 x 1637 x 0,060
54	874 76 06-36	Perno de cabeza hexagonal de 3/8-16 x 2-1/4
55	532 41 47-36	Separador del soporte del eje
58	532 19 47-47	Perno de tope del sector del pivote CFM
59	532 19 47-48	Arandela de empuje del sector de dirección
60	873 97 10-00	Tuerca de 5/8-11
61	532 19 47-40	Barra de acoplamiento izquierda
62	532 19 47-41	Barra de acoplamiento derecha
63	817 00 05-12	Tornillo de 5/16-18 x 3/4
64	532 19 98-49	Abrazadera de retención del resorte de la dirección
65	532 19 47-34	Soporte delantero del eje
66	871 02 07-48	Perno de cabeza hexagonal con brida acanalada de 7/16-14 x 3
67	532 19 47-37	Buje PM del eje delantero
68	873 90 07-00	Tuerca de 7/16-14 grado 5
69	532 19 91-62	Arandela de 1,5 x 0,505 x 0,118
70	585 33 88-01	Soporte de la plataforma delantera
75	580 68 37-01	Piñón
76	580 68 36-01	Tornillo
78	532 05 70-79	Arandela
122	532 44 49-62	Tapas

NOTA: Las dimensiones de todos los componentes están expresadas en pulgadas americanas.
1 pulgada = 25,4 mm

TRACTOR MODELO NO. LGT54DXL (96043026100), PRODUCTO NO. 960 43 02-61
PLATAFORMA DE LA CORTADORA DE CÉSPED



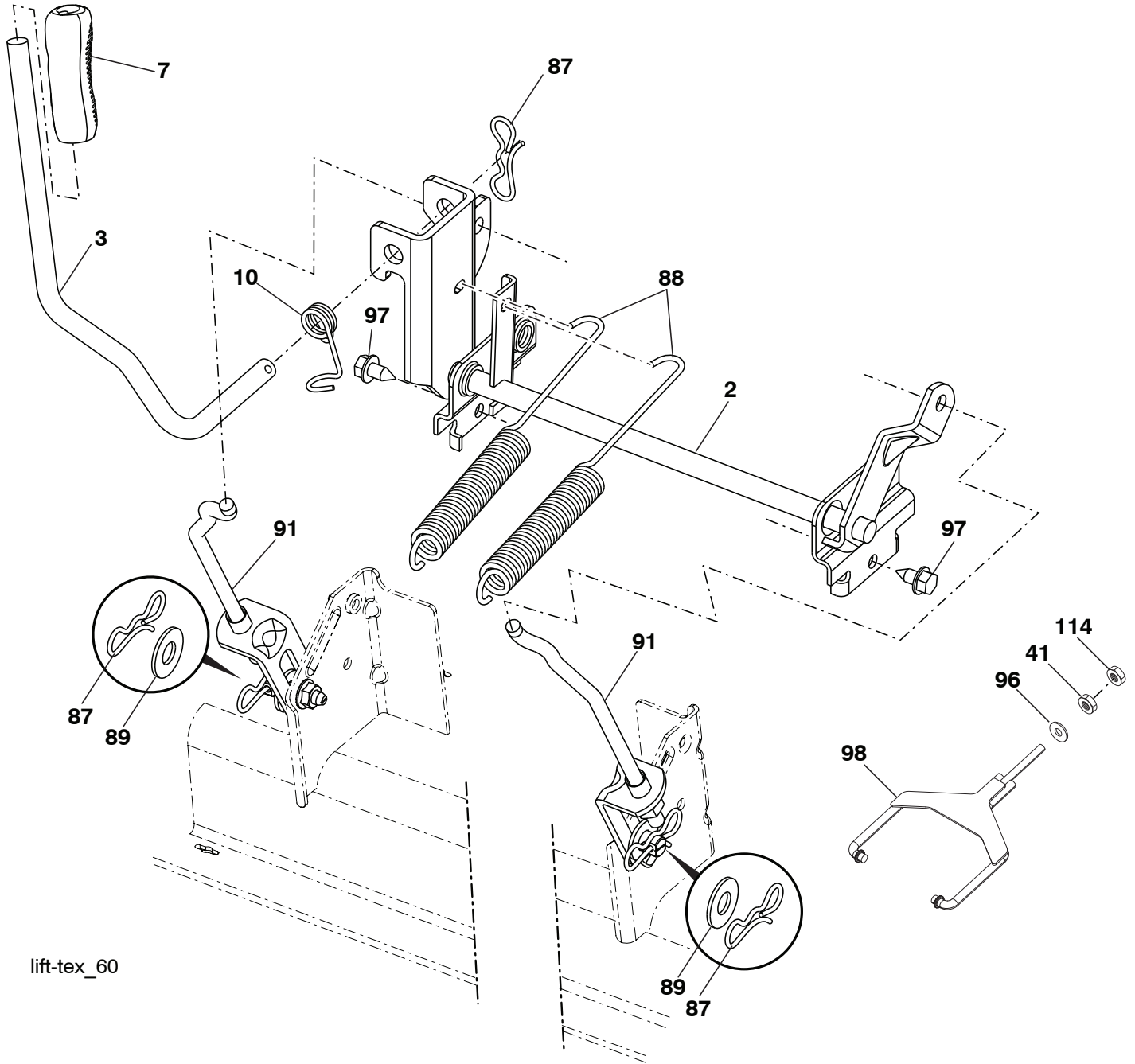
54F_clearcut_elec-TEX_5

**TRACTOR MODELO NO. LGT54DXL (96043026100), PRODUCTO NO. 960 43 02-61
PLATAFORMA DE LA CORTADORA DE CÉSPED**

CÓDIGO NO.	PIEZA NO.	DESCRIPCIÓN	CÓDIGO NO.	PIEZA NO.	DESCRIPCIÓN
1	588 54 90-02	Carcasa de la cortadora de césped	52	532 19 73-79	Polea
6	590 03 43-03	Brazo de la suspensión	53	872 14 08-64	RHSNB 1/2--13 x / Gr. 5 ZD
7	590 30 42-03	Tornillo #10 x 0.750 BOS	54	521 99 11-01	Tuerca 1/2-13 Hex Flg
8	532 19 30-03	Perno/arandela del ensamble de 7/16-20	61	532 40 48-51	Barra contra la inclinación lateral
11	582 76 05-08	Cuchilla de la cortadora	62	819 13 13-12	Arandela 13/32 x 13/16 x calibre 12
14	539 11 21-70	Carcasa del mandril	63	532 19 42-08	Perno de tope
20	532 19 72-36	Polea loca	66	590 73 25-01	Parachoques 54cc
22	817 49 06-28	Tornillo 3/8-16 x 1-3/4	97	532 17 85-15	Arandela
23	588 43 83-01	Tornillo 3/8-16 x 1-3/4 arandela	98	587 35 84-01	Resorte
24	532 10 53-04	Tapa de la manga	116	532 19 34-06	Perno
25	587 35 47-01	Resorte de torsión del deflector	117	532 17 48-73	Calibrador de la rueda
26	532 11 04-52	Tuerca de presión	184	873 90 05-00	Sujetador del travesaño
27	590 63 22-01	Protector del deflector	187	532 19 51-61	Perno del perno prisionero
28	539 11 55-74	Perno 5/16-18	189	532 19 51-85	Tuerca de presión hexagonal con brida
29	532 13 14-91	Varilla de la bisagra	190	532 19 65-39	Perno
31	532 18 76-90	Arandela del separador	192	532 19 84-68	Sujetador
32	532 15 35-35	Polea del mandril	196	872 14 06-20	Perno 3/8-16 unc x 2-1/2 grado 5
33	532 40 02-34	Tuerca de seguridad con brida	242	532 41 55-98	Puerto de lavado de la cubierta
36	539 99 05-85	Tuerca de 5/16-18 Hex	--	532 41 64-05	Acoplador
37	532 17 01-65	Perno 5/16-18	--	592 61 89-01	Reemplazo de la cortadora de césped, completa
41	584 95 39-01	Perno .313 - 18 x 1.19			
42	596 95 22-01	Enchufe cuadrado			
43	582 21 96-02	Resorte de torsión de retención			
46	532 13 77-29	Tornillo			
47	582 23 63-01	Soporte del cable de embrague			
48	574 19 65-01	Rodillo, m			
49	873 90 06-00	Tuerca Flg. 3/8-16 unc			
51	574 16 96-01	Calibradora,			

NOTA: Las dimensiones de todos los componentes están expresadas en pulgadas americanas.
1 pulgada = 25,4 mm

**TRACTOR MODELO NO. LGT54DXL (96043026100), PRODUCTO NO. 960 43 02-61
ELEVACIÓN DE LA CORTADORA DE CÉSPED**



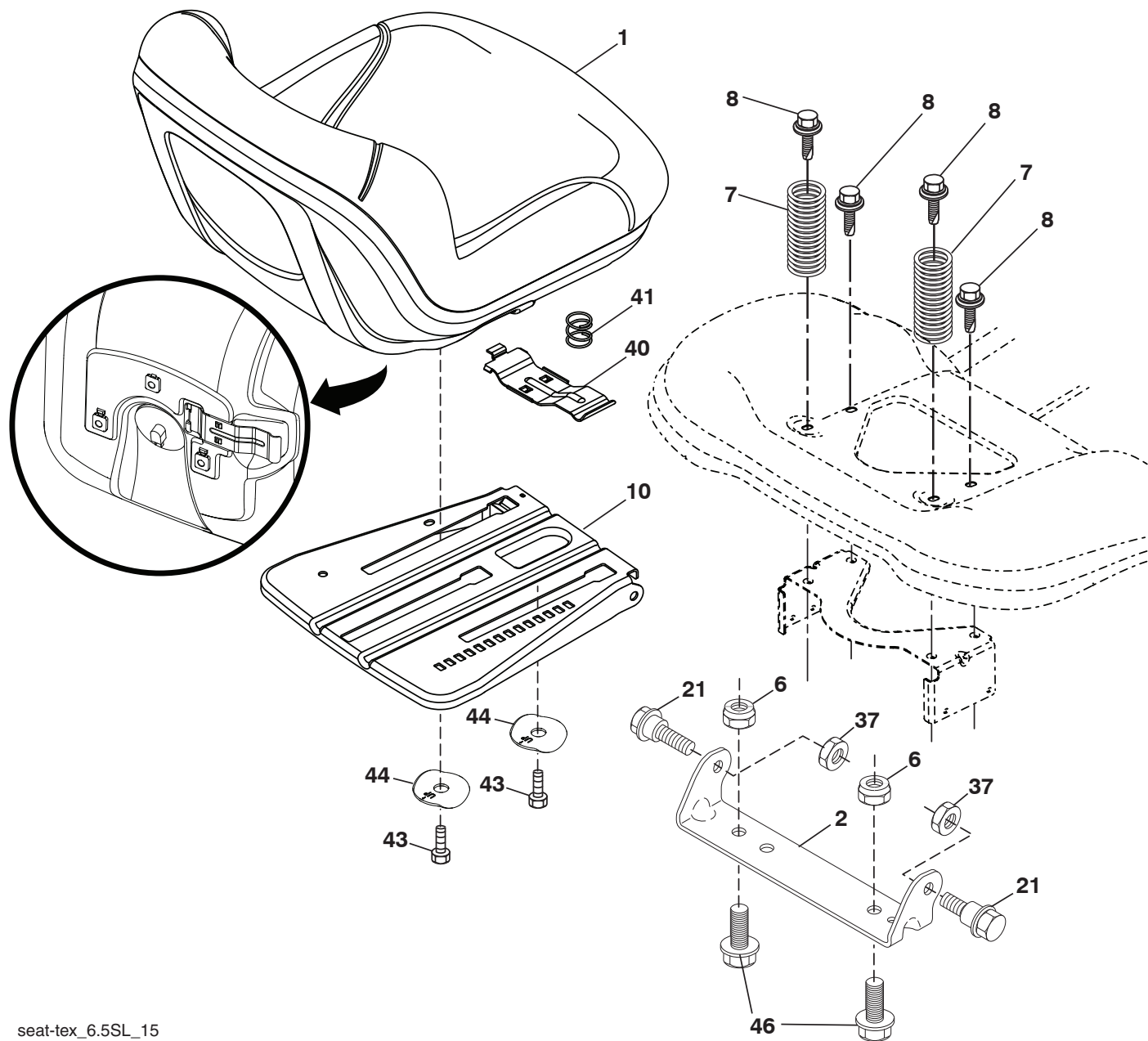
lift-tex_60

CÓDIGO No.	PIEZA No.	DESCRIPCIÓN
2	532 42 20-27	Ensamble del eje de la elevación
3	532 19 52-30	Ensamble de la palanca de elevación derecha
7	580 96 23-01	Mango de la palanca
10	532 19 63-14	Resorte de torsión
41	532 17 59-94	Tuerca
87	532 19 42-09	Pasador de chaveta de 7/16 con bloqueo en forma de mariposa
88	532 19 53-04	Resorte de ayuda de la elevación
89	819 19 19-12	Arandela de zinc transparente
91	532 40 34-07	Soporte

CÓDIGO No.	PIEZA No.	DESCRIPCIÓN
96	532 19 52-63	Buje
97	817 00 06-12	Tornillo 3/8-16 x .75
98	589 31 87-03	Acoplamiento frontal de la elevación de la cortadora de césped
114	873 36 07-00	Tuerca 7/16-20

NOTA: Las dimensiones de todos los componentes están expresadas en pulgadas americanas. 1 pulgada = 25,4 mm

**TRACTOR MODELO NO. LGT54DXL (96043026100), PRODUCTO NO. 960 43 02-61
ENSAMBLE DEL ASIENTO**



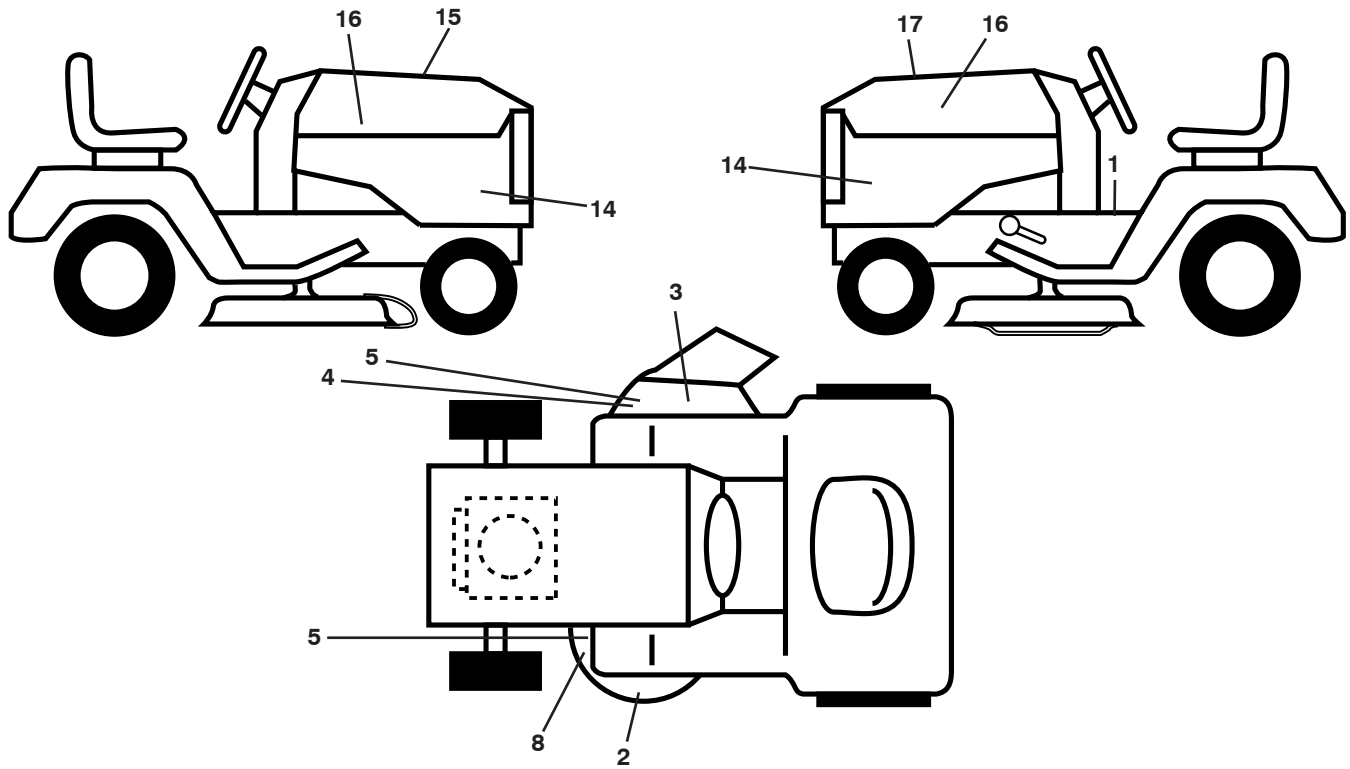
seat-tex_6.5SL_15

CÓDIGO NO.	PIEZA NO.	DESCRIPCIÓN
1	532 43 98-22	Asiento
2	532 18 01-66	Soporte pivotante del guardabarros
6	873 80 06-00	Tuerca de presión c/aislamiento de 3/8-16 unc
7	589 48 35-01	Resorte del asiento
8	532 17 18-77	Perno de 5/16" unc x 3/4"
10	587 23 20-02	Bandeja del asiento
21	587 90 78-01	Perno de tope de 5/16-18 x 5/8
37	873 80 05-00	Tuerca de presión de 5/16-18 unc
40	532 19 76-61	Manija para deslizar el asiento

CÓDIGO NO.	PIEZA NO.	DESCRIPCIÓN
41	532 19 82-00	Resorte para trabar el asiento
43	874 76 06-12	Perno de cabeza hexagonal con aleta de 3/8-16 unc x 3/4
44	501 05 18-01	Arandela 3/8 ID 1.5 OD
46	588 09 04-01	Perno 3/8-16 x 1, 1.25 OD

NOTA: Las dimensiones de todos los componentes están expresadas en pulgadas americanas.
1 pulgada = 25,4 mm

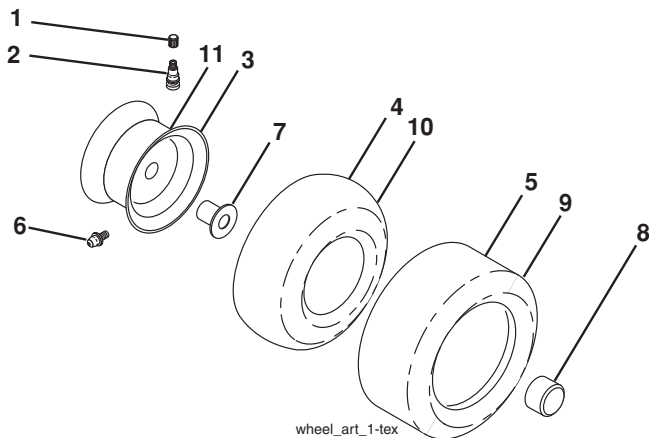
**TRACTOR MODELO NO. LGT54DXL (96043026100), PRODUCTO NO. 960 43 02-61
CALCOMANÍAS**



CÓDIGO NO.	PIEZA NO.	DESCRIPCIÓN
1	581 57 89-01	Calcomanía, Cuidado
2	590 88 51-01	Calcomanía, Sin paso
3	586 97 88-01	Calcomanía, Advertencia
4	591 16 47-01	Calcomanía, Cubierta Correa
5	589 35 79-01	Calcomanía, Sin paso
8	592 89 83-01	Calcomanía, Garantía de franqueo de cubierta
14	593 29 55-01	Calcomanía para el panel lateral
15	532 42 38-29	Calcomanía, Advertencia
16	581 62 73-01	Calcomanía para la capota, logo

CÓDIGO NO.	PIEZA NO.	DESCRIPCIÓN
17	593 27 22-01	Calcomanía de reemplazo
--	581 72 48-01	Calcomanía para la desviación
--	532 43 98-82	Forro del apoyo para los pies izquierdo
--	532 44 15-42	Forro del apoyo para los pies derecho
--	115 96 40-49	Manual del Operario (Inglés/Español)
--	115 96 42-70	Manual del Operario (Portugués)
--	115 96 41-49	Manual de Repuestos (Inglés/Español)
--	115 96 43-70	Manual de Repuestos (Portugués)
--	587 71 00-26	Guía rápida (Inglés/Español)

WHEELS AND TIRES



CÓDIGO NO.	PIEZA NO.	DESCRIPCIÓN
1	532 05 91-92	Tapa de la válvula del neumático
2	532 06 51-39	Vástago de la válvula
3	532 18 18-39	Ensamble de las llantas delanteras
4	532 00 81-34	Cámara delantera
5	532 10 62-30	Neumático delantero
6	532 12 49-57	Accesorio para engrasar (solo para la rueda delantera)
7	532 12 49-59	Rodamiento de la brida (solo para la rueda delantera)
8	532 17 50-39	Tapa del eje (sólo para la rueda delantera)
9	532 18 47-08	Neumático trasero
10	532 00 71-54	Cámara trasera (sólo servicio)
11	532 40 17-82	Ensamble trasero de la llanta
--	532 14 43-34	Sellador para neumáticos (tubo de 10 onzas [283 gr])

NOTA: Las dimensiones de todos los componentes están expresadas en pulgadas americanas.
1 pulgada = 25,4 mm

SERVICE NOTES / AVISO



www.husqvarna.com