

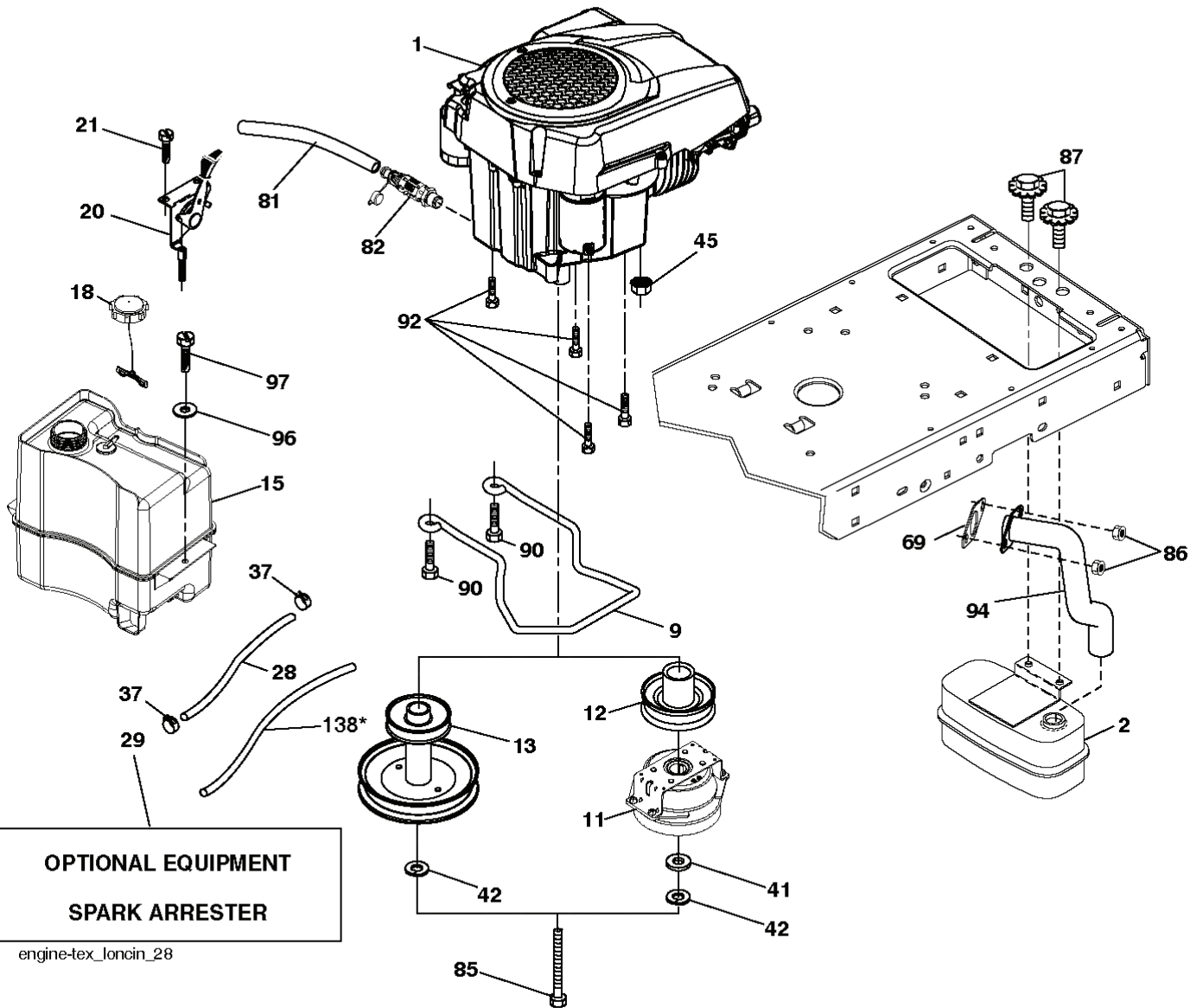
**SPARE PARTS CATALOGUE**  
**: HUSQVARNA TS 142**

Spare Parts List

---

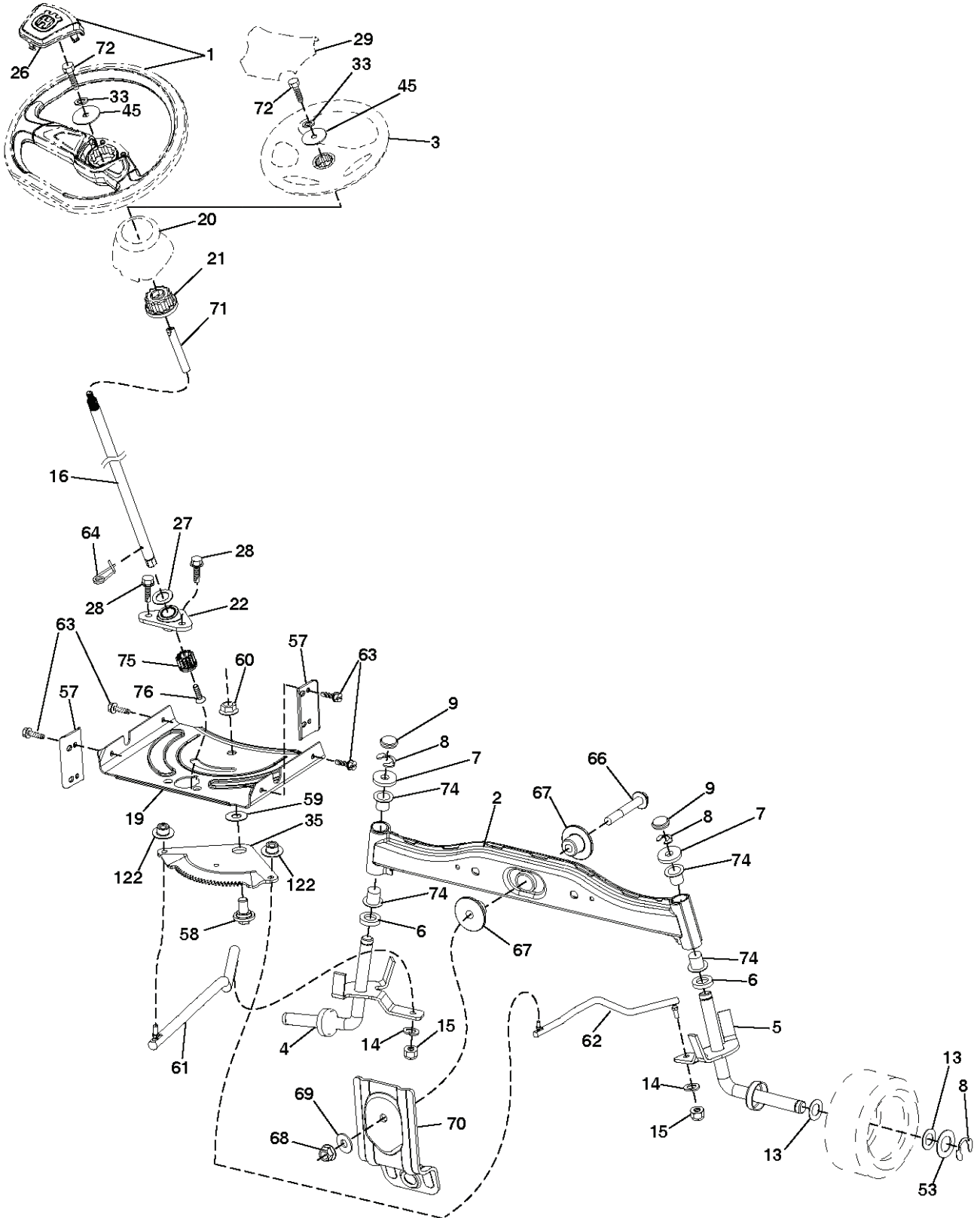
# **SPARE PARTS LIST**

For 96041043000, 96041044000



REF.	PART NO.	DESCRIPTION	REMARK	QTY.	KIT
1	593230101	ENGINE	For 96041043000. HUSQVARNA MODEL NO. HS608 (COMPLETE IPL AVAILABLE SEPARATELY).	1	
1	598693901	ENGINE	For 96041044000. HUSQVARNA MODEL NO. HS608 (COMPLETE IPL AVAILABLE SEPARATELY).	1	
2	590645301	MUFFLER		1	
9	501832602	KEEPER		1	
9	596501502	KEEPER	For 96041043000. 96041044000	1	
11	587241501	CLUTCH	For 96041044000	1	
12	532405097	PULLEY	For 96041044000	1	
13	586478501	PULLEY	For 96041043000	1	
15	597952201	FUEL TANK ASSY	Fits 2.75" filler neck. For 96041044000 & 96041043000. EPA.	1	
15	581289901	TANK	Non-EPA FOR 96041043000. 96041044000	1	
18	532430220	FUEL CAP	Fits 2.75" filler neck	1	
18	529989702	CAP	Fits 2.00" filler neck	1	
20	532183897	CONTROL		1	
21	596321701	SCREW		1	
28	532137040	HOSE		1	
29	532137180	SPARK ARRESTER		1	
37	532123487	HOSE CLAMP		1	
41	532126197	WASHER	For 96041044000	1	
42	596238901	WASHER		1	
45	593356401	NUT	For 96041043000	1	
69	590863601	GASKET		1	
81	532148456	TUBE		1	
82	532428287	PLUG		1	
85	501606501	BOLT	For 96041043000	1	
85	581332804	BOLT	For 96041044000	1	
86	532184362	NUT		1	
87	532171877	BOLT		1	
90	817000616	SCREW		1	
92	817120616	SCREW		1	
94	590864801	TUBE		1	
96	596135301	WASHER		1	
97	817670412	SCREW		1	
138	587044531	HOSE	For 96041044000. Only equipped with unit using EPA TANK.	1	

For 96041036800, 96041036801, 96041036802, 96041036803, 96041042200, 96041043000



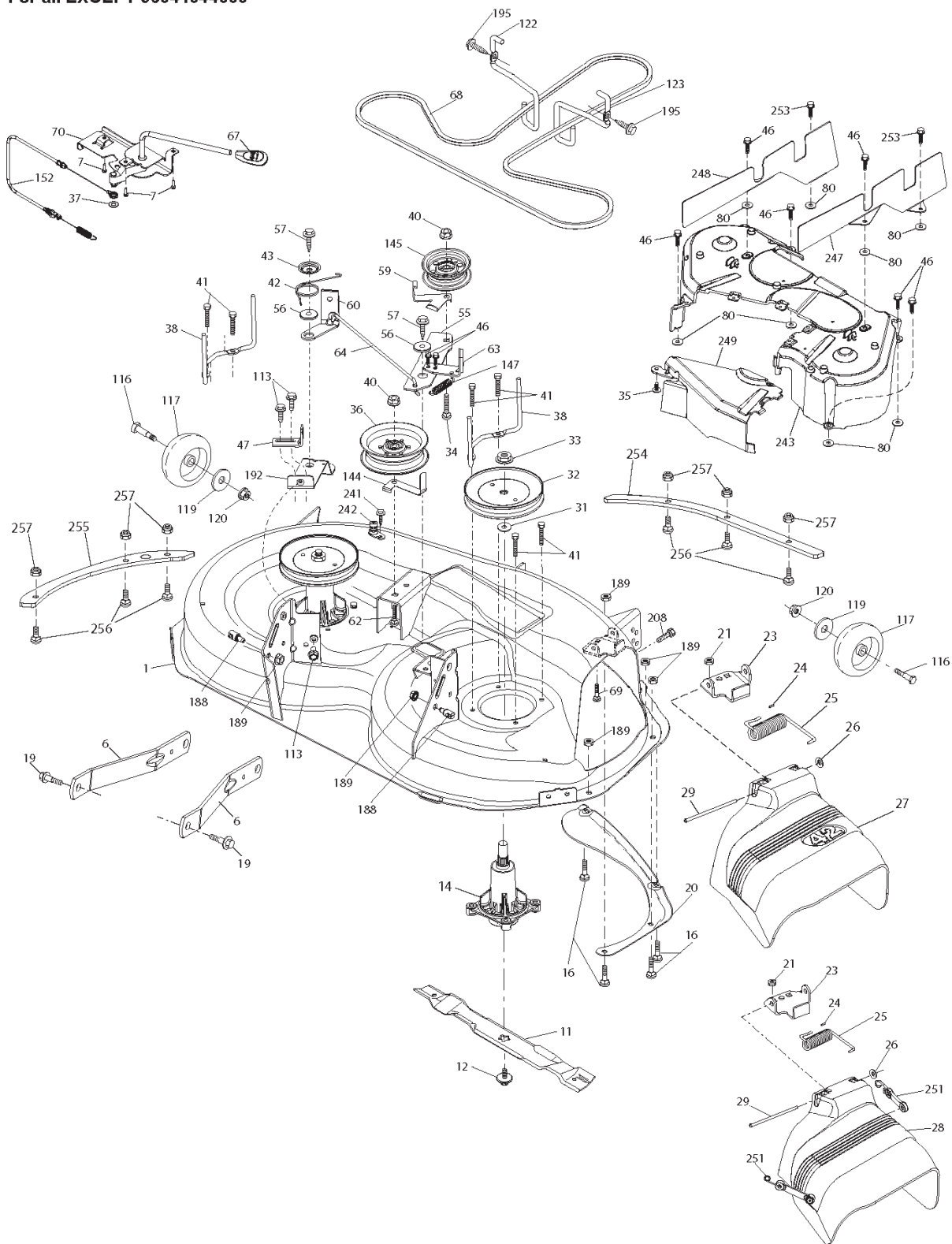
REF.	PART NO.	DESCRIPTION	REMARK	QTY.	KIT
1	597866101	SERVICE KIT	For 96041043000	1	
2	532418168	AXLE		1	
3	532439997	STEERING WHEEL	For 96041036800, 96041036801, 96041036802, 96041036803, 96041042200	1	
4	532403087	SPINDLE		1	
5	532403088	SPINDLE		1	
6	532006266	WASHER		1	
7	532121748	WASHER		1	
8	812000029	RETAINER RING		1	
9	532121232	HUB CAP		1	
13	532121749	WASHER		1	
14	596238701	WASHER		1	
15	873540600	NUT		1	
16	585869202	SHAFT		1	
19	532194729	PLATE		1	
20	532441425	COVER		1	
21	532186737	ADAPTER		1	
22	585029802	BEARING		1	
26	594949101	CAP	For 96041043000	1	
27	596933401	WASHER	For 96041043000	1	
27	819211616	WASHER	For 96041036800, 96041036801, 96041036802, 96041036803, 96041042200	1	
28	817000612	SCREW		1	
29	532439743	HUB CAP	For 96041036800, 96041036801, 96041036802, 96041036803, 96041042200	1	
33	596238801	WASHER		1	
35	532194732	PLATE		1	
45	596040001	WASHER		1	
53	532188967	WASHER		1	
57	532407465	BRACKET		1	
58	532194747	BOLT		1	
59	532194748	WASHER		1	
60	873971000	NUT		1	
61	532194740	LINK	For 96041036800, 96041036801, 96041036802, 96041036803, 96041042200	1	
61	597047802	LINKAGE	For 96041043000	1	
62	532194741	LINK	For 96041036800, 96041036801, 96041036802, 96041036803, 96041042200	1	
62	597047902	LINKAGE	For 96041043000	1	
63	817000512	SCREW		1	
64	532199849	SPRING RETAINER		1	
66	871020748	BOLT		1	
67	532194737	BUSHING		1	
68	873900700	NUT		1	
69	532199162	WASHER		1	
70	585338801	BRACKET		1	
71	532190752	SHAFT		1	
72	596039701	BOLT		1	
74	532003366	BEARING		1	
75	580683701	PINION		1	
76	580683601	SCREW		1	
122	532444962	CAP		1	



REF.	PART NO.	DESCRIPTION	REMARK	QTY.	KIT
1	597866101	SERVICE KIT		1	
2	532195968	SHAFT	For 96043031400. FRONT.	1	
2	532413591	LINK ARM	For 96041044000	1	
4	532403087	SPINDLE		1	
5	532403088	SPINDLE		1	
6	532006266	WASHER		1	
7	532121748	WASHER		1	
8	812000029	RETAINER RING		1	
9	532121232	HUB CAP		1	
13	532121749	WASHER		1	
14	596238701	WASHER		1	
15	873540600	NUT		1	
16	585869202	SHAFT	For 96041044000	1	
16	587016002	SHAFT	For 96043031400	1	
19	532194729	PLATE		1	
20	532441425	COVER	For 96041044000	1	
21	532186737	ADAPTER	For 96041044000	1	
22	585029802	BEARING		1	
23	586840201	ADAPTER	For 96043031400	1	
26	594949101	CAP		1	
27	596933401	WASHER		1	
28	817000612	SCREW		1	
33	596238801	WASHER	For 96041044000	1	
33	539990187	WASHER	For 96041044000	1	
35	532194732	PLATE		1	
45	596040001	WASHER	For 96041044000	1	
46	587016401	WASHER	For 96043031400	1	
50	873900600	NUT	For 96043031400	1	
53	532188967	WASHER		1	
57	532407465	BRACKET		1	
58	532194747	BOLT		1	
59	532194748	WASHER		1	
60	873971000	NUT		1	
61	597070202	LINKAGE	For 96043031400. LH.	1	
61	597047802	LINKAGE	For 96041044000	1	
62	597070302	LINKAGE	For 96043031400. RH.	1	
62	597047902	LINKAGE	For 96041044000	1	
63	817000512	SCREW		1	
64	532199849	SPRING RETAINER		1	
66	871020748	BOLT		1	
67	532194737	BUSHING		1	
68	873900700	NUT		1	
69	532199162	WASHER		1	
70	585338801	BRACKET		1	
71	532190752	SHAFT	For 96041044000	1	
72	596039701	BOLT	For 96041044000	1	
75	580683701	PINION		1	
76	580683601	SCREW		1	
118	532406013	BEARING	For 96041044000	1	
122	532444962	CAP		1	



For all EXCEPT 96041044000

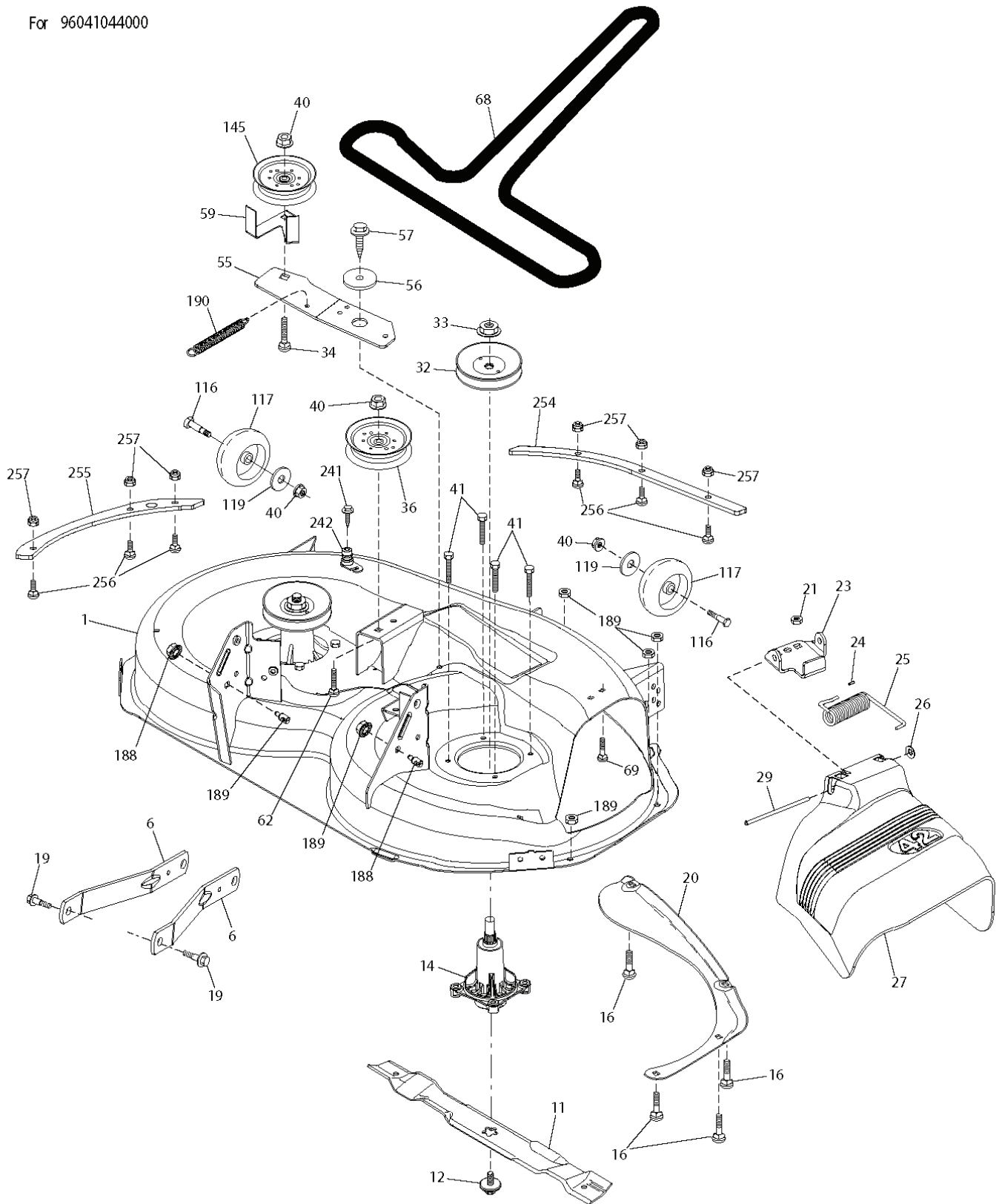


REF.	PART NO.	DESCRIPTION	REMARK	QTY.	KIT
1	532401225	CUTTING DECK	For 96041036801, 96041036802, 96041036803	1	
1	583338301	DECK	For 96041036800	1	
1	532439104	SQUARE WELD NUT	For 96041043000	1	
1	532439658	SQUARE WELD NUT	For 96041042200	1	
1	532447895	REPAIR KIT	For 96043031400	1	
1	588622101	SERVICE TOOLS	For 96041036801, 96041036802	1	
2	532432937	DECK	For 96041043000	1	
3	532447893	CUTTING DECK	For 96043031400	1	
6	532195186	ARM		1	
7	596321701	SCREW		1	
11	532138971	BLADE	FOR BAGGING OR DISCHARGING	1	
12	584309301	SCREW	For 96041036800, 96041036802, 96041036803, 96041042200, 96041043000, 96043031400	1	
12	532193003	SCREW	For 96041036801	1	
14	587819701	MANDREL		1	
15	585323901	BEARING	For 96041036800, 96041036802, 96041036803, 96041042200	1	
16	596039401	BOLT		1	
19	532196539	BOLT		1	
20	532159770	RAIL		1	
20	583911401	BAFFLE		1	
21	596040501	LOCK NUT		1	
23	532192557	HINGE		1	
24	532105304	HUB CAP		1	
25	532197026	TORSION SPRING		1	
26	532110452	NUT		1	
27	532403004	SHIELD	For 96041043000, 96043031400	1	
28	532411485	DEFLECTOR ASSY	For 96041036800, 96041036801, 96041036802, 96041036803, 96041042200	1	
29	595297001	ROD		1	
31	532187690	WASHER	For 96041036801	1	
32	532197473	PULLEY		1	
33	596134801	HEXAGON NUT		1	
34	596136101	BOLT	For 96041043000, 96043031400	1	
34	872110612	BOLT	For 96041036800, 96041036801, 96041036802, 96041036803, 96041042200	1	
35	532133835	CLIP	For 96041036800, 96041036801, 96041036802, 96041036803, 96041042200	1	
36	532197379	PULLEY		1	
37	596565301	WASHER	For 96041043000, 96043031400	1	
37	819131316	WASHER	For 96041036800, 96041036801, 96041036802, 96041036803, 96041042200	1	
38	532432520	KEEPER	For 96041036800, 96041036801, 96041036802	1	
38	589676102	KEEPER	For 96041036803, 96041042200, 96041043000, 96043031400	1	
40	873900600	NUT	For 96041036801, 96041036802, 96041036803, 96041042200, 96041043000, 96043031400	1	
41	584953901	BOLT		1	
42	532198410	SPRING		1	
43	532197256	SPRING		1	

REF.	PART NO.	DESCRIPTION	REMARK	QTY.	KIT
46	532137729	SCREW		1	
47	532197250	BRACKET		1	
55	532437110	ARM		1	
56	532199092	SPACER		1	
57	817000616	SCREW		1	
59	532141043	GUARD		1	
60	532197261	ARM		1	
62	596136301	BOLT		1	
63	532199477	ARM		1	
64	532199918	LINK ASSY		1	
67	532403012	HANDLE		1	
68	532429636	DRIVE BELT		1	
68	598559101	DRIVE BELT		1	
69	596136401	BOLT	For 96041043000. 96043031400	1	
69	872140505	BOLT	For 96041036800. 96041036801. 96041036802. 96041036803. 96041042200	1	
70	532401246	CLUTCH	For 96041036800. 96041036801. 96041036802. 96041036803. 96041042200. 96041043000	1	
70	532199972	CLUTCH ASSY	For 96043031400	1	
80	532423062	NUT	For 96041036800. 96041036801. 96041036802. 96041036803. 96041042200	1	
108	587253301	MANDREL	For 96041036800. 96041036802. 96041036803. 96041042200. Mandrel Assembly (Includes housing, shaft and shaft hardware only pulley not included).	1	
109	532192870	SPINDLE	For 96041036801. Mandrel Assembly (Includes housing, shaft and shaft hardware only pulley not included).	1	
110	587532001	CUTTING DECK	For 96041036800	1	
111	588622101	SERVICE TOOLS	For 96041036801. 96041036802	1	
112	532416405	COUPLING	For 96043031400	1	
113	817000510	BOLT		1	
116	532004898	BOLT	For 96041036801. 96041036802. 96041036803. 96041042200	1	
116	596434402	BOLT	For 96041043000	1	
116	596434404	BOLT	For 96043031400	1	
117	589527301	WHEEL	For 96043031400	1	
117	589527401	WHEEL	For 96041036801. 96041036802. 96041036803. 96041042200. 96041043000. 96041044000	1	
119	596134901	WASHER	For 96041043000. 96043031400	1	
119	819121414	WASHER	For 96041036801. 96041036802. 96041036803. 96041042200	1	
120	873900600	NUT	For 96041036801. 96041036802. 96041036803. 96041042200. 96041043000. 96043031400	1	
122	532197258	BELT GUIDE	LH	1	
123	532197259	BELT GUIDE	RH	1	
144	532199204	BELT GUIDE		1	
145	532193197	PULLEY		1	
147	532401971	SPRING		1	
152	584243501	CABLE		1	
188	593824001	STUD	For 96041043000. 96043031400	1	

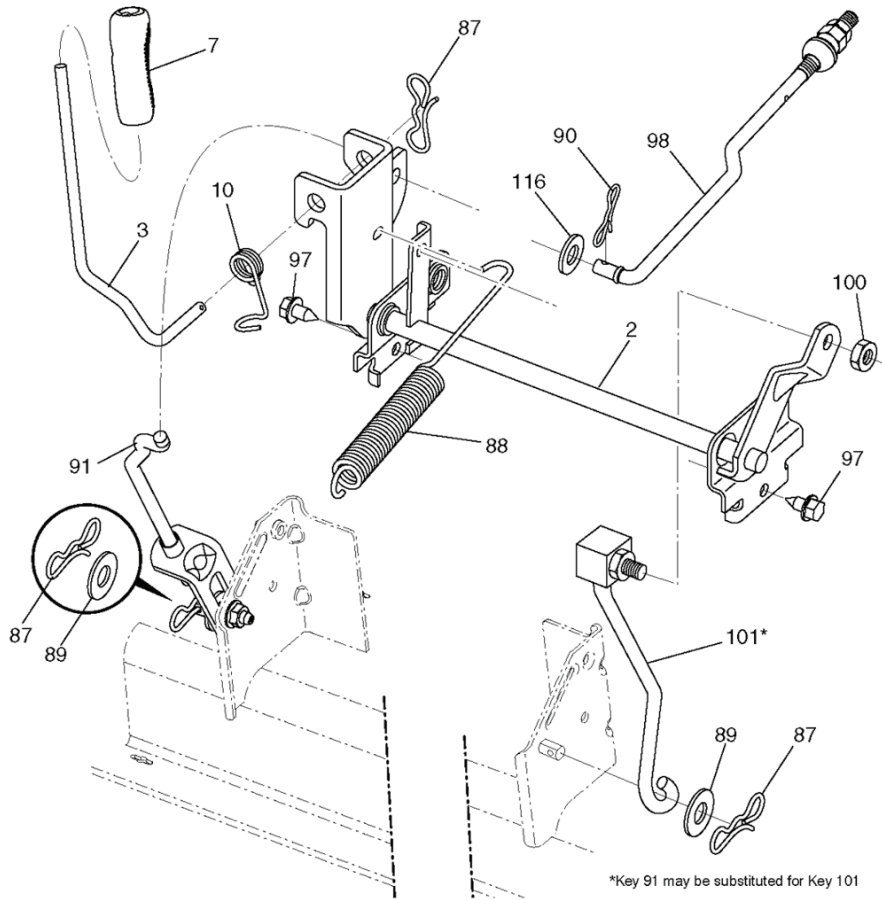
REF.	PART NO.	DESCRIPTION	REMARK	QTY.	KIT
188	532195161	STUD	For 96041036800, 96041036801, 96041036802, 96041036803, 96041042200, 96043031400	1	
189	596135701	LOCK NUT		1	
192	532197260	BRACKET	LH	1	
195	817000612	SCREW		1	
208	817670608	SCREW	For 96041036800, 96041036801, 96041036802, 96041036803, 96041042200	1	
241	532152927	SCREW		1	
241	532137729	SCREW	For serials 103023xxxxxx and up	1	
242	532415598	HOSE COUPLING		1	
243	532432394	COVER	For 96041036800, 96041036801, 96041036802, 96041036803, 96041042200	1	
247	532430261	SHIELD	For 96041036800, 96041036801, 96041036802, 96041036803, 96041042200	1	
248	532430260	SHIELD	For 96041036800, 96041036801, 96041036802, 96041036803, 96041042200	1	
249	532406514	COVER	For 96041036800, 96041036801, 96041036802, 96041036803, 96041042200	1	
251	532436087	ELASTIC STRAP	For 96041036800, 96041036801, 96041036802, 96041036803, 96041042200	1	
253	532427350	SCREW	For 96041036800, 96041036801, 96041036802, 96041036803, 96041042200	1	
254	585316805	REINFORCEMENT PLATE	For 96043031400	1	
255	585317005	REINFORCEMENT PLATE	For 96043031400	1	
256	592807801	BOLT	For 96043031400	1	
257	873900400	NUT	For 96043031400	1	

For 96041044000

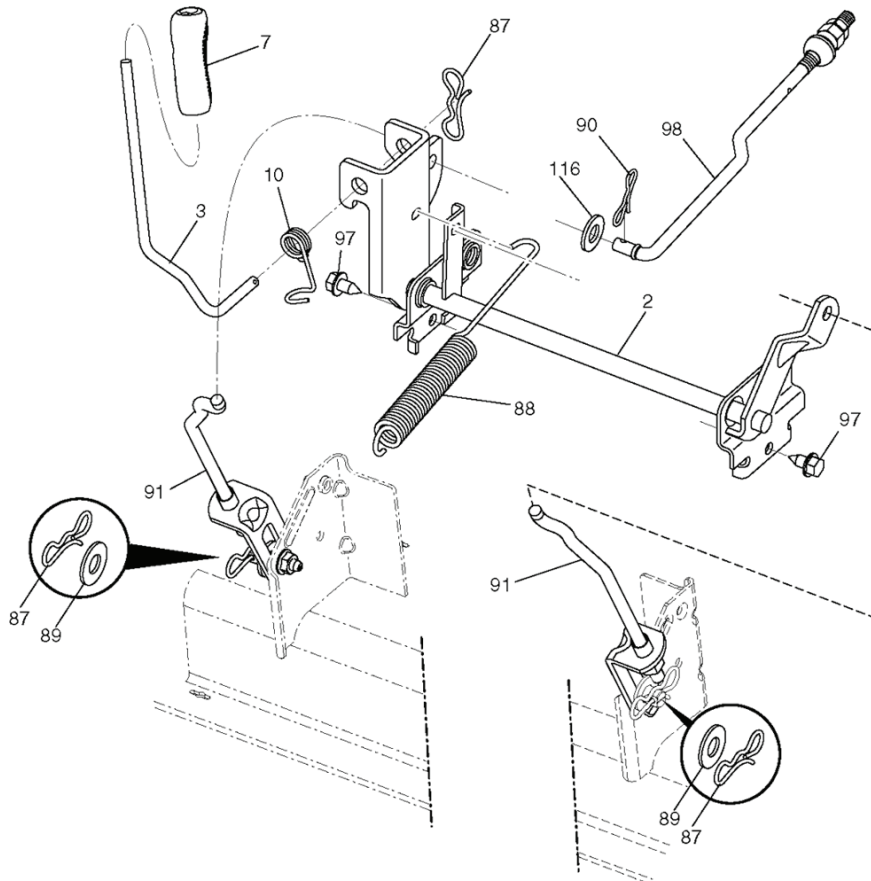


REF.	PART NO.	DESCRIPTION	REMARK	QTY.	KIT
1	583935001	CUTTING DECK		1	
1	589886901	CUTTING DECK KIT		1	
6	532195186	ARM		1	
11	532138971	BLADE		1	
12	584309301	SCREW		1	
14	587819701	MANDREL		1	
16	596039401	BOLT		1	
19	532196539	BOLT		1	
20	532159770	RAIL		1	
21	596040501	LOCK NUT		1	
23	532192557	HINGE		1	
24	532105304	HUB CAP		1	
25	532197026	TORSION SPRING		1	
26	532110452	NUT		1	
27	532403004	SHIELD		1	
29	595297001	ROD		1	
32	532153535	PULLEY		1	
33	596134801	HEXAGON NUT		1	
34	596136101	BOLT		1	
36	532197379	PULLEY		1	
40	873900600	NUT		1	
41	584953901	BOLT		1	
51	532416405	COUPLING		1	
55	532437110	ARM		1	
56	532199092	SPACER		1	
57	817000616	SCREW		1	
59	532141043	GUARD		1	
62	596136301	BOLT		1	
68	532144959	DRIVE BELT		1	
69	596136401	BOLT		1	
116	596434402	BOLT		1	
117	589527401	WHEEL		1	
119	596134901	WASHER		1	
145	532193197	PULLEY		1	
188	593824001	STUD		1	
188	532195161	STUD	subs to 596135701	1	
189	596135701	LOCK NUT		1	
190	532197251	SPRING		1	
241	532152927	SCREW		1	
242	532415598	HOSE COUPLING		1	
254	585316805	REINFORCEMENT PLATE		1	
255	585317005	REINFORCEMENT PLATE		1	
256	592807801	BOLT		1	
257	873900400	NUT		1	

For 96041043000, 96043031400, 96041044000



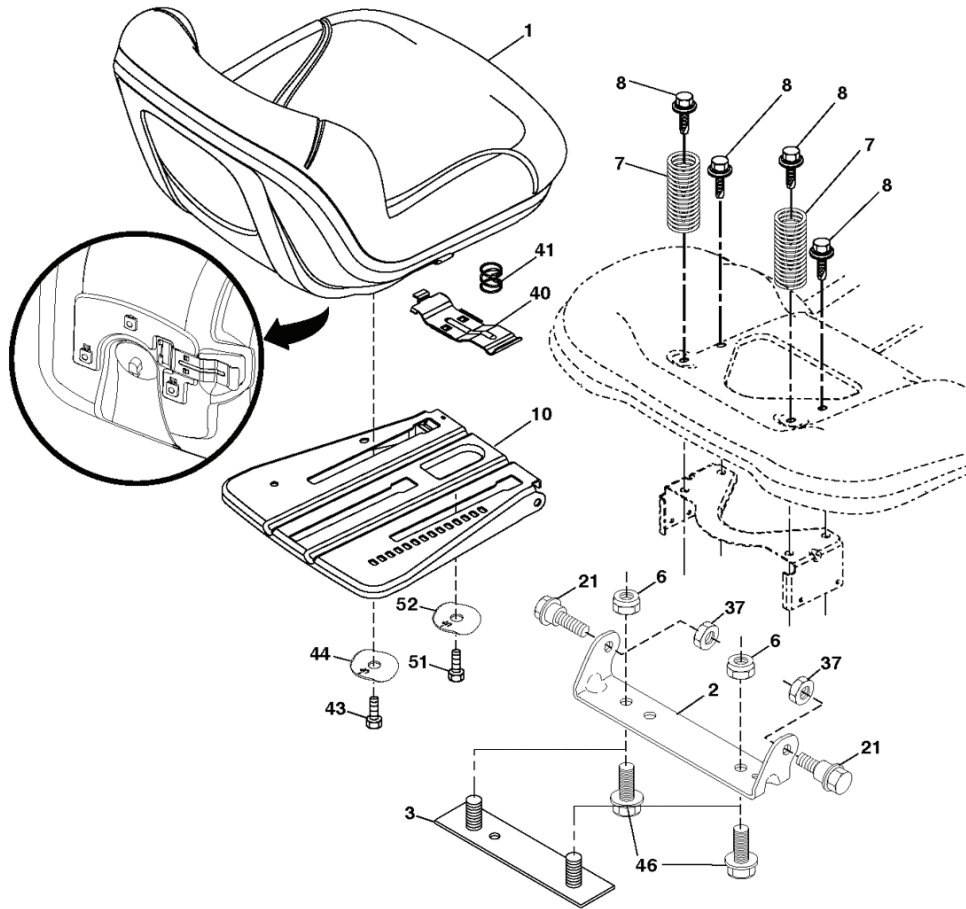
For 96041036800, 96041036801, 96041036802, 96041036803, 96041042200



REF.	PART NO.	DESCRIPTION	REMARK	QTY.	KIT
2	532422027	SHAFT		1	
3	532195231	LEVER	For 96041036800. 96041036801. 96041036802. 96041036803. 96041042200	1	
3	594018001	LEVER	For 96041043000. 96043031400. 96041044000	1	
7	580962301	GRIP		1	
10	532196314	SPRING		1	
87	532194209	SPRING		1	
88	532410710	SPRING		1	
89	819191912	WASHER		1	
90	532194208	PIN		1	
91	589464807	LINK ASSY	For 96041043000. 96041044000	1	
91	589464803	LINK ASSY	For 96041043000. 96041044000. 96043031400	1	
97	817000612	SCREW		1	
98	532195270	LINK	For 96041036800. 96041036801. 96041036802. 96041036803. 96041042200. 96041044000	1	
98	581506903	LINK ASSY	For 96041043000. 96043031400. 96041044000	1	
100	595305901	NUT	For 96041043000. 96043031400. 96041044000	1	
101	532407003	LINK	For 96041043000. 96043031400. 96041044000	1	
116	819151516	WASHER	For 96041036800. 96041036801. 96041036802. 96041036803. 96041044000	1	
116	594976501	WASHER	For 96041042200. 96041043000. 96043031400. 96041044000	1	

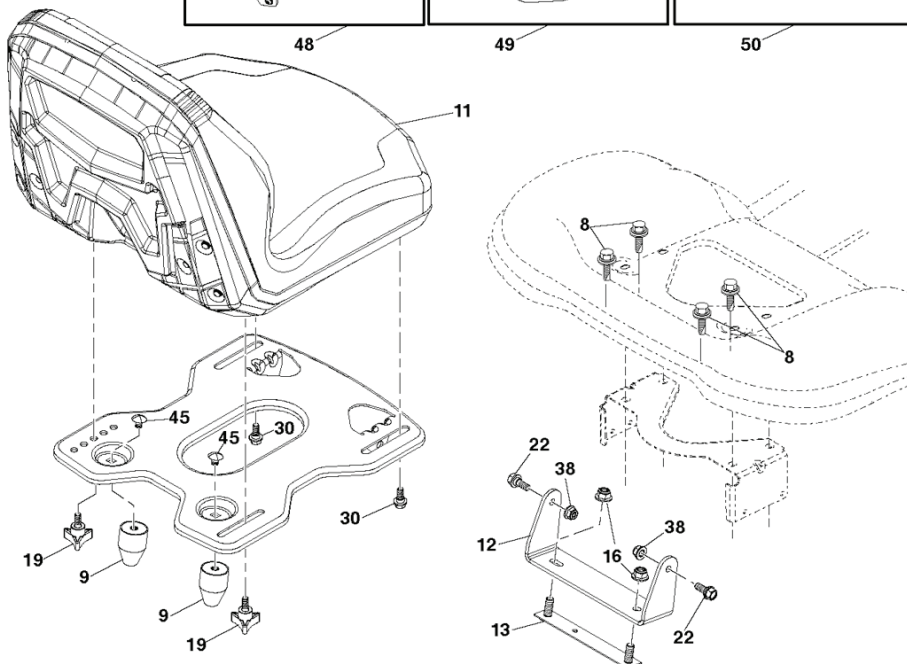
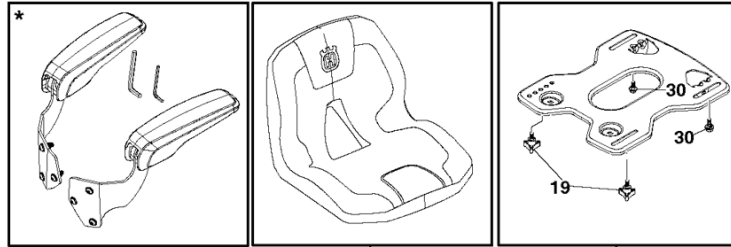


For all EXCEPT 96043031400

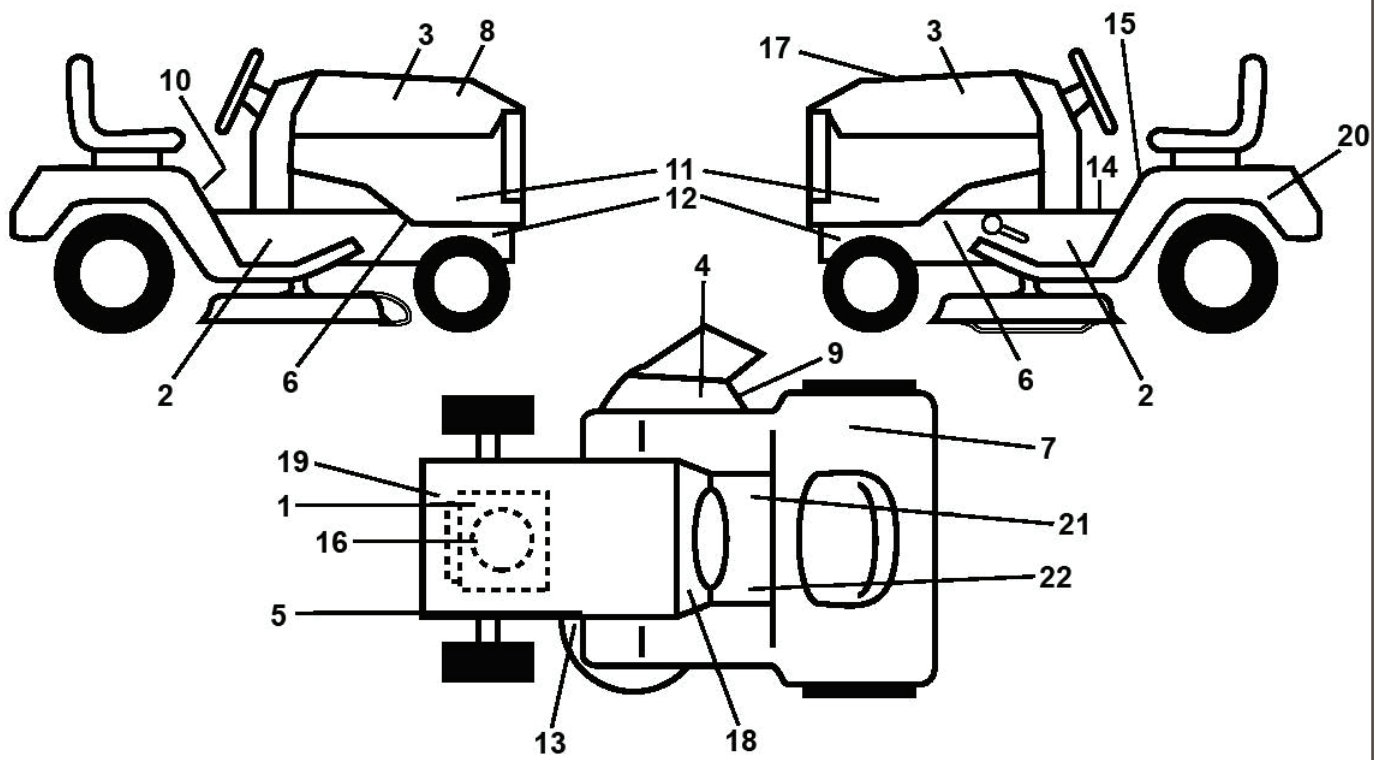


For 96043031400

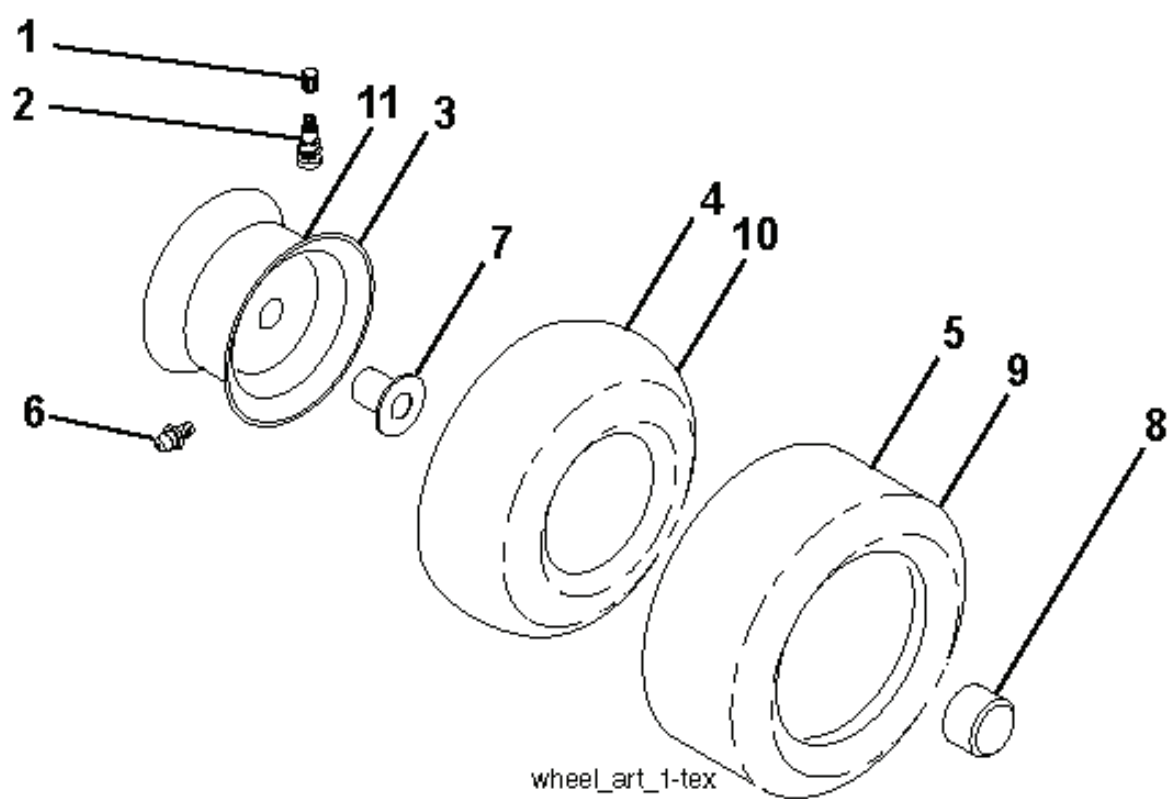
\*OPTIONAL



REF.	PART NO.	DESCRIPTION	REMARK	QTY.	KIT
1	532439822	SEAT	For 96041044000	1	
1	532439819	SEAT	For 96041042200. 96041043000	1	
1	583544801	SEAT	For 96041036800. 96041036801. 96041036802. 96041036803	1	
2	532180166	BRACKET		1	
3	532140675	STRAP	For 96041036801	1	
6	873800600	NUT		1	
7	587613301	SPRING	For 96041036800. 96041036801. 96041036802	1	
7	589483501	SPRING	For 96041036803. 96041042200. 96041043000. 96041044000	1	
8	532171877	BOLT		1	
9	597785101	BUMPER		1	
10	596657402	PLATE		1	
11	597658101	SEAT		1	
12	597329902	BRACKET		1	
13	590777602	BRACKET		1	
16	521996502	NUT		1	
19	597783101	KNOB		1	
21	587907801	BOLT		1	
22	596240701	BOLT		1	
30	597781801	BOLT		1	
37	596040501	LOCK NUT	For 96041036800. 96041036801. 96041036802. 96041036803. 96041042200	1	
37	596583702	NUT	For 96041043000. 96041044000	1	
38	594944401	NUT		1	
40	532197661	HANDLE	For 96041036800. 96041036801. 96041036802. 96041036803. 96041042200. 96041044000	1	
40	595088102	HANDLE	For 96041043000. 96041044000	1	
41	532198200	SPRING		1	
43	874760612	BOLT	For 96041036803. 96041042200. 96041043000. 96041044000	1	
44	583789501	WASHER	For 96041036800. 96041036801. 96041036802	1	
44	501051801	WASHER	For 96041036803. 96041042200. 96041043000. 96041044000	1	
45	597869301	BOLT		1	
46	588090401	BOLT	For 96041036800. 96041036802. 96041036803. 96041042200. 96041043000. 96041044000. 96043031400	1	
48	597658203	SERVICE KIT		1	
49	597959401	COVER		1	
50	598001601	SERVICE KIT		1	
51	874760612	BOLT	For 96041036803. 96041042200. 96041043000. 96041044000	1	
52	501051801	WASHER	For 96041036803. 96041042200. 96041043000. 96041044000	1	

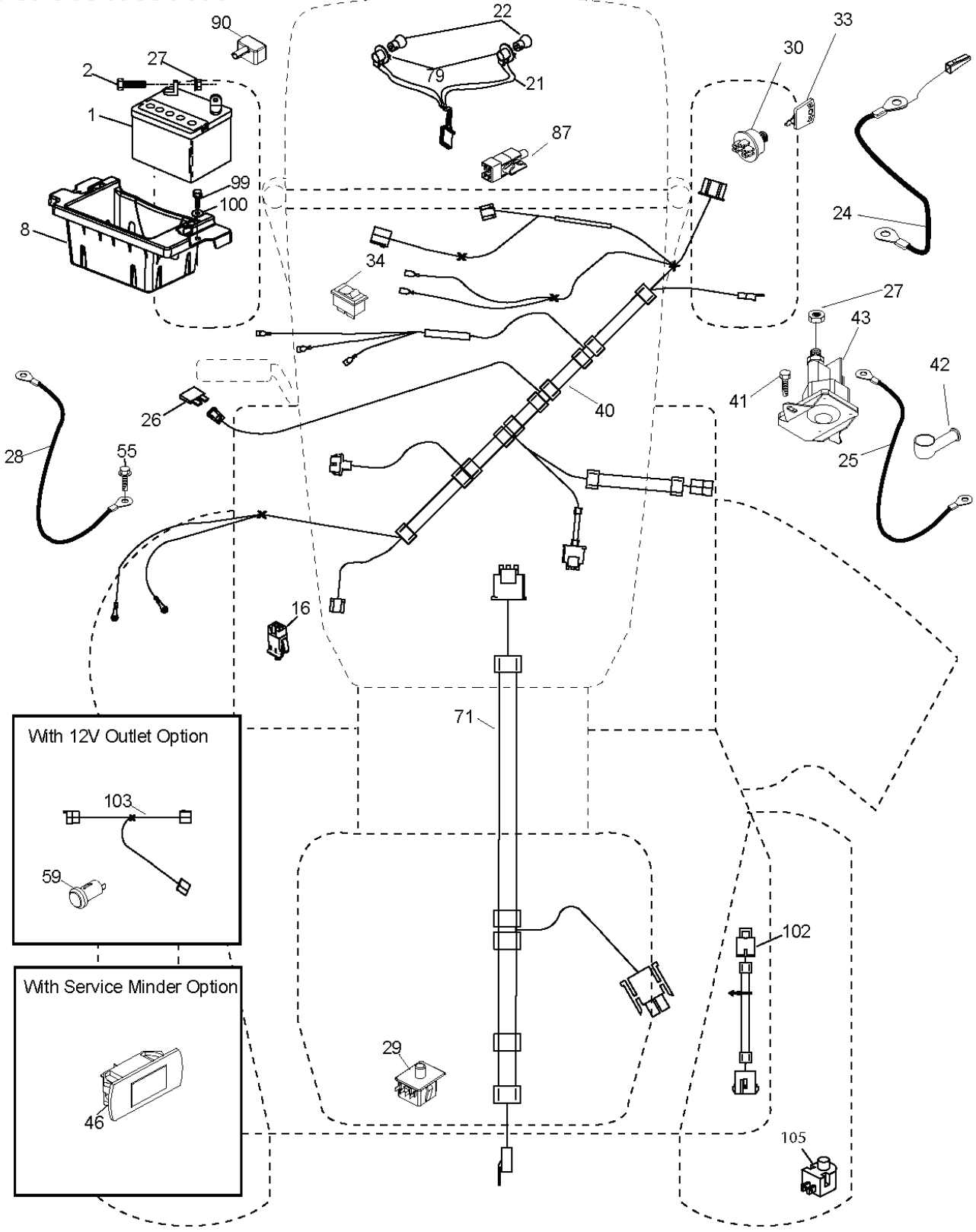


REF.	PART NO.	DESCRIPTION	REMARK	QTY.	KIT
1	581579701	DECAL	For all EXCEPT 96043031400	1	
2	581579801	DECAL	For 96041036800, 96041044000	1	
3	581627301	DECAL	For 96041036800, 96041036801, 96041036802, 96041036803	1	
3	501131401	DECAL	For 96041042200, 96041043000, 96041044000	1	
3	598531101	DECAL	For 96043031400	1	
4	584904602	DECAL		1	
4	584904601	DECAL		1	
5	581580001	DECAL	For 96041044000	1	
6	581579601	DECAL	For all EXCEPT 96043031400	1	
6	581579602	DECAL		1	
7	598587401	DECAL	For 96041044000	1	
8	598711601	DECAL	For 96041044000	1	
9	581579201	DECAL	For all EXCEPT 96043031400	1	
10	586047302	DECAL	For 96041043000	1	
11	587407201	DECAL	For all EXCEPT 96043031400	1	
11	597909001	DECAL	For 96043031400	1	
12	581579801	DECAL	For 96041036800, 96041044000	1	
13	581580001	DECAL	For 96041044000	1	
13	531229001	DECAL	For 96041043000, 96041044900, 96043031400	1	
14	586047302	DECAL	For 96041043000	1	
14	581578101	DECAL	For 96041036800, 96041036801, 96041036802	1	
14	586350601	DECAL	For 96041036803, 96041042200	1	
15	581579001	DECAL	For 96043031400	1	
16	586049801	DECAL	For 96043031400	1	
17	587396001	DECAL	For 96041036800, 96041036801, 96041036802, 96041036803	1	
17	592781001	DECAL	For 96041042200	1	
17	597772501	DECAL	For 96041043000	1	
18	586066201	DECAL	For 96041036800, 96041036801, 96041036802, 96041036803, 96041042200	1	
19	587731201	DECAL	For 96041036800, 96041036801, 96041036802, 96041036803, 96041042200	1	
20	532145005	DECAL	For 96041036800, 96041036801, 96041036802, 96041036803	1	
21	581578001	DECAL	For 96041036800, 96041036801, 96041036802	1	
22	581724001	DECAL	For 96041036800, 96041036801, 96041036802	1	
42	581724601	DECAL	For all EXCEPT 96043031400	1	
43	581724801	DECAL		1	
44	581724802	DECAL		1	
45	532439681	PLATE		1	
46	532439682	PAD		1	



REF.	PART NO.	DESCRIPTION	REMARK	QTY.	KIT
1	532059192	CAP		1	
2	532065139	NIPPLE		1	
3	532138336	WHEEL RIM	Front 6"	1	
4	532059904	HOSE	(Service Item Only)	1	
5	532106222	TIRE	FRONT (15 X 6-6)	1	
6	532000278	NIPPLE	(Front Wheel Only)	1	
7	532009040	BEARING	(Front Wheel Only)	1	
8	532175039	HUB CAP		1	
9	532124635	TIRE	For 96041036800, 96041036801, 96041036802, 96041036803, 96041042200. REAR (18 X 8.5-8).	1	
9	532138468	TIRE	For 96043031400. Rear 20" x 8.0"-8".	1	
9	532420531	TIRE	For 96041043000, 96041044000. REAR (18X9.5-8).	1	
10	532007152	TUBE	(Service Item Only)	1	
11	532138337	RIM SPROCKET	Rear 8"	1	
14	532144334	SEALING FOAM		1	

# For 96043031400



With 12V Outlet Option

103

59

With Service Minder Option

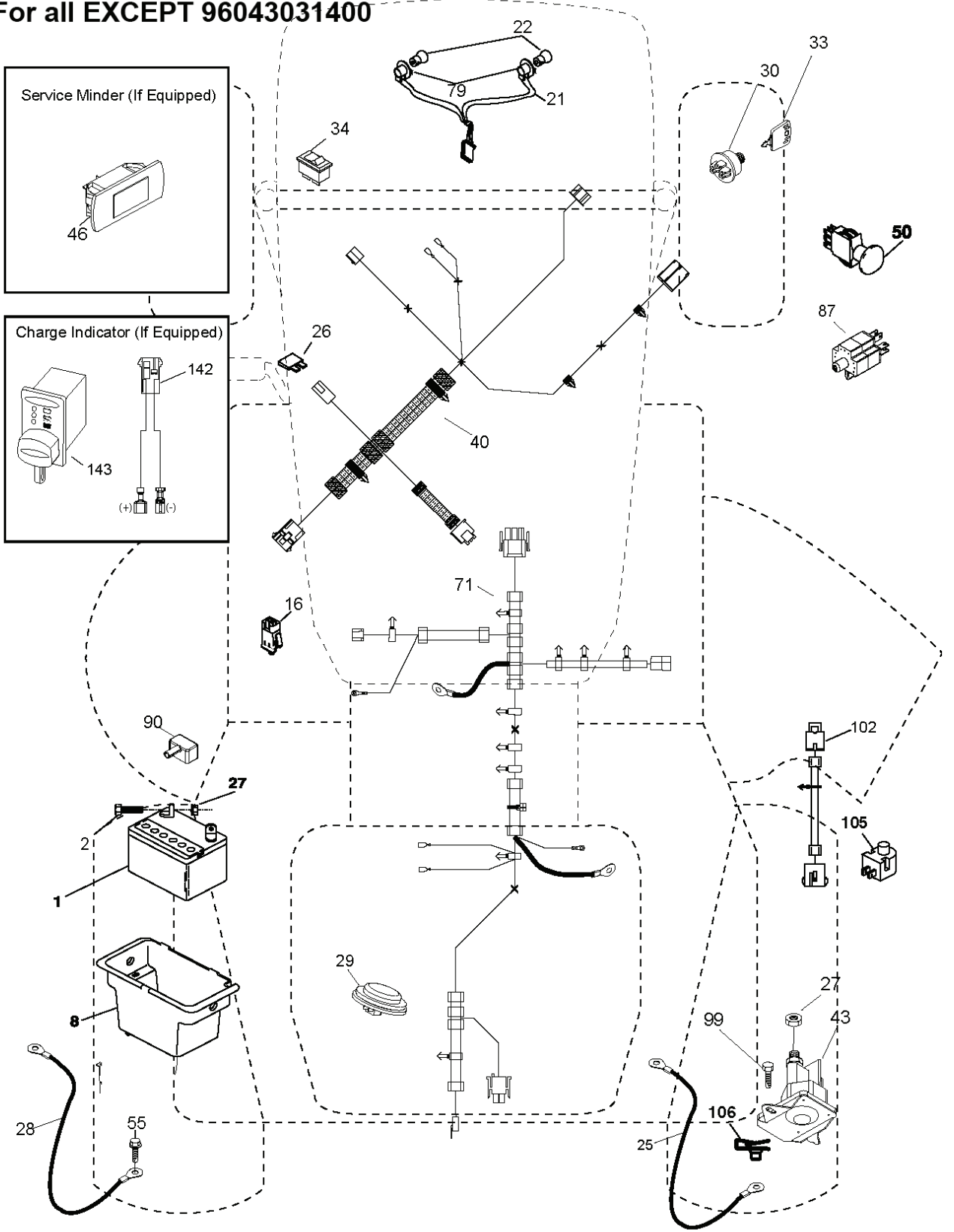
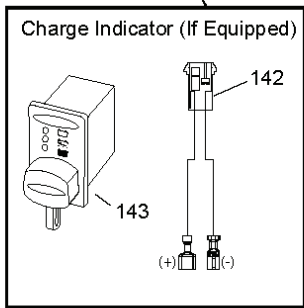
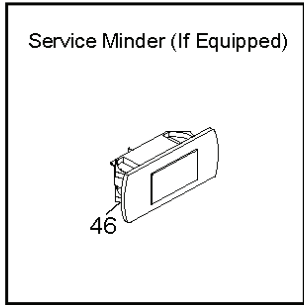
46

---

REF.	PART NO.	DESCRIPTION	REMARK	QTY.	KIT
1	532163465	BATTERY		1	
2	874760412	BOLT		1	
8	587205101	TRAY		1	
16	532176138	MICRO SWITCH		1	
21	532400252	HARNESS		1	
22	532004152	BULB		1	
24	585555601	CABLE		1	
25	585555501	CABLE		1	
26	532175158	FUSE		1	
27	596133601	LOCK NUT		1	
28	532416588	CABLE		1	
29	532192749	SWITCH		1	
30	532193350	IGNITION MODULE		1	
33	532411933	KEY		1	
34	532110712	SWITCH		1	
40	501133001	HARNESS		1	
41	817720408	SCREW		1	
42	532131563	COVER		1	
43	582042802	SOLENOID		1	
46	594919101	HOUR METER		1	
55	817060512	SCREW		1	
71	532194276	CABLE ASSY		1	
79	532175242	TOOL HOLDER		1	
87	532197802	SWITCH		1	
90	532435395	TERMINAL COVER		1	
99	817670412	SCREW		1	
100	596135301	WASHER		1	
102	532404454	CABLE		1	
105	532407568	SWITCH		1	

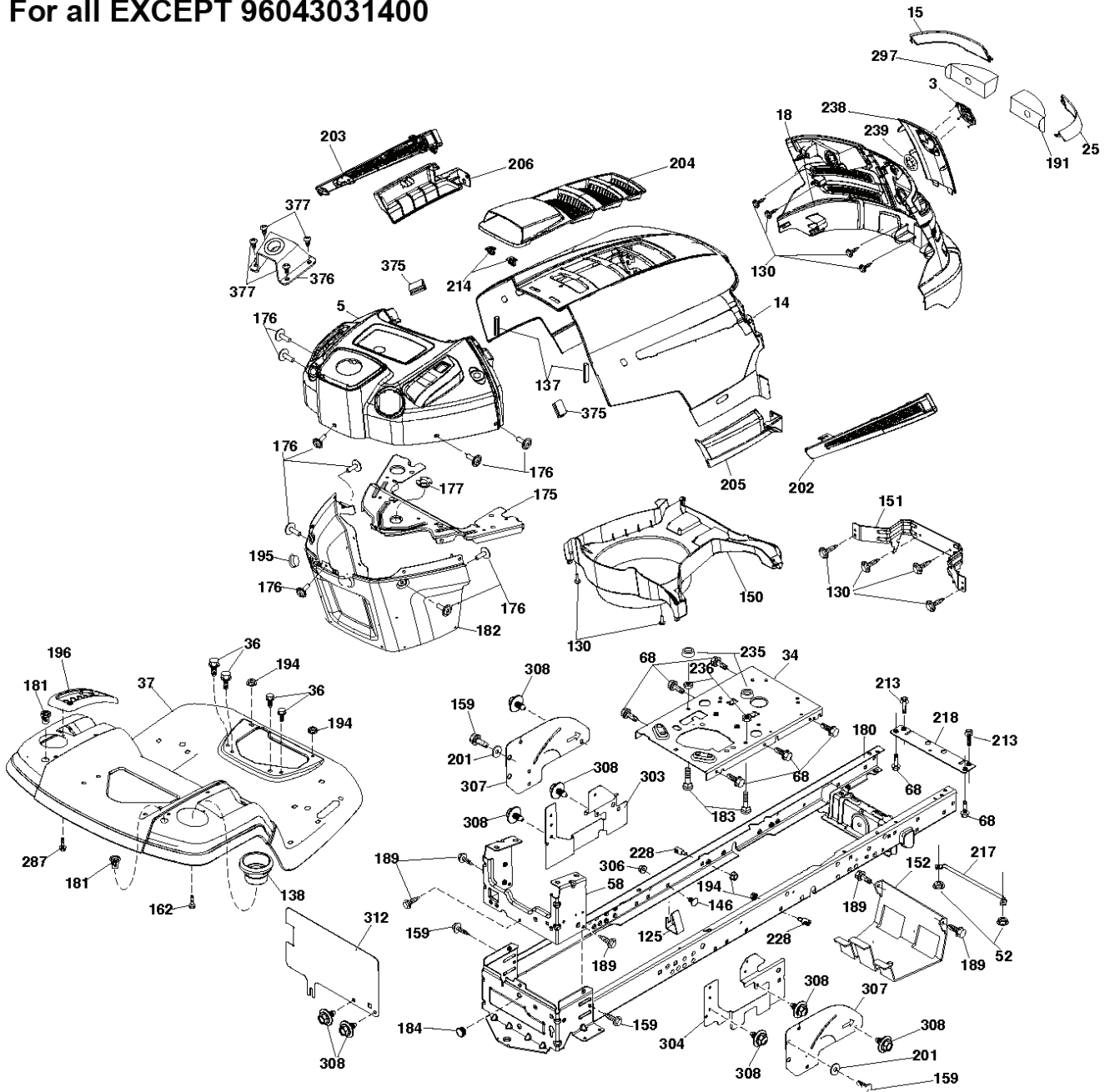


**For all EXCEPT 96043031400**



REF.	PART NO.	DESCRIPTION	REMARK	QTY.	KIT
1	532163465	BATTERY		1	
2	874760412	BOLT		1	
8	532193228	BOX		1	
16	532176138	MICRO SWITCH		1	
21	532400252	HARNESS		1	
22	532004152	BULB		1	
25	581498001	CABLE		1	
26	532175158	FUSE		1	
27	586668901	NUT	For 96041036800, 96041036801, 96041036802, 96041036803, 96041042200	1	
27	596133601	LOCK NUT	For 96041043000, 96041044000	1	
28	532421686	CABLE		1	
29	532401545	SWITCH		1	
30	532193350	IGNITION MODULE		1	
33	532411935	KEY	For 96041036800, 96041036801, 96041036802, 96041036803, 96041042200	1	
33	532411933	KEY	For 96041043000, 96041044000	1	
34	532110712	SWITCH		1	
40	581023101	HARNESS	For 96041042200, 96041043000	1	
40	581023201	HARNESS	For 96041044000	1	
40	585555201	HARNESS	For 96041036800, 96041036801, 96041036802, 96041036803	1	
43	582042801	SOLENOID	For 96041036800, 96041036801, 96041036802, 96041036803, 96041042200	1	
43	582042802	SOLENOID	For 96041043000, 96041044000	1	
46	594919101	HOUR METER	For 96041042200, 96041043000, 96041044000	1	
50	582107602	SWITCH	For 96041044000	1	
55	817060512	SCREW		1	
71	501133701	HARNESS		1	
79	532175242	TOOL HOLDER		1	
87	532197802	SWITCH	For 96041036800, 96041036801, 96041036802, 96041036803, 96041042200, 96041043000	1	
90	532435395	TERMINAL COVER		1	
99	817670412	SCREW		1	
102	532404454	CABLE	For 96041042200, 96041043000, 96041044000	1	
102	581023401	HARNESS	For 96041036800, 96041036801, 96041036802, 96041036803	1	
105	532407568	SWITCH		1	
106	532174814	NUT		1	
142	583857801	HARNESS	For 96041036800, 96041036801, 96041036802, 96041036803	1	
143	532448059	HARNESS	For 96041036800, 96041036801, 96041036802, 96041036803	1	

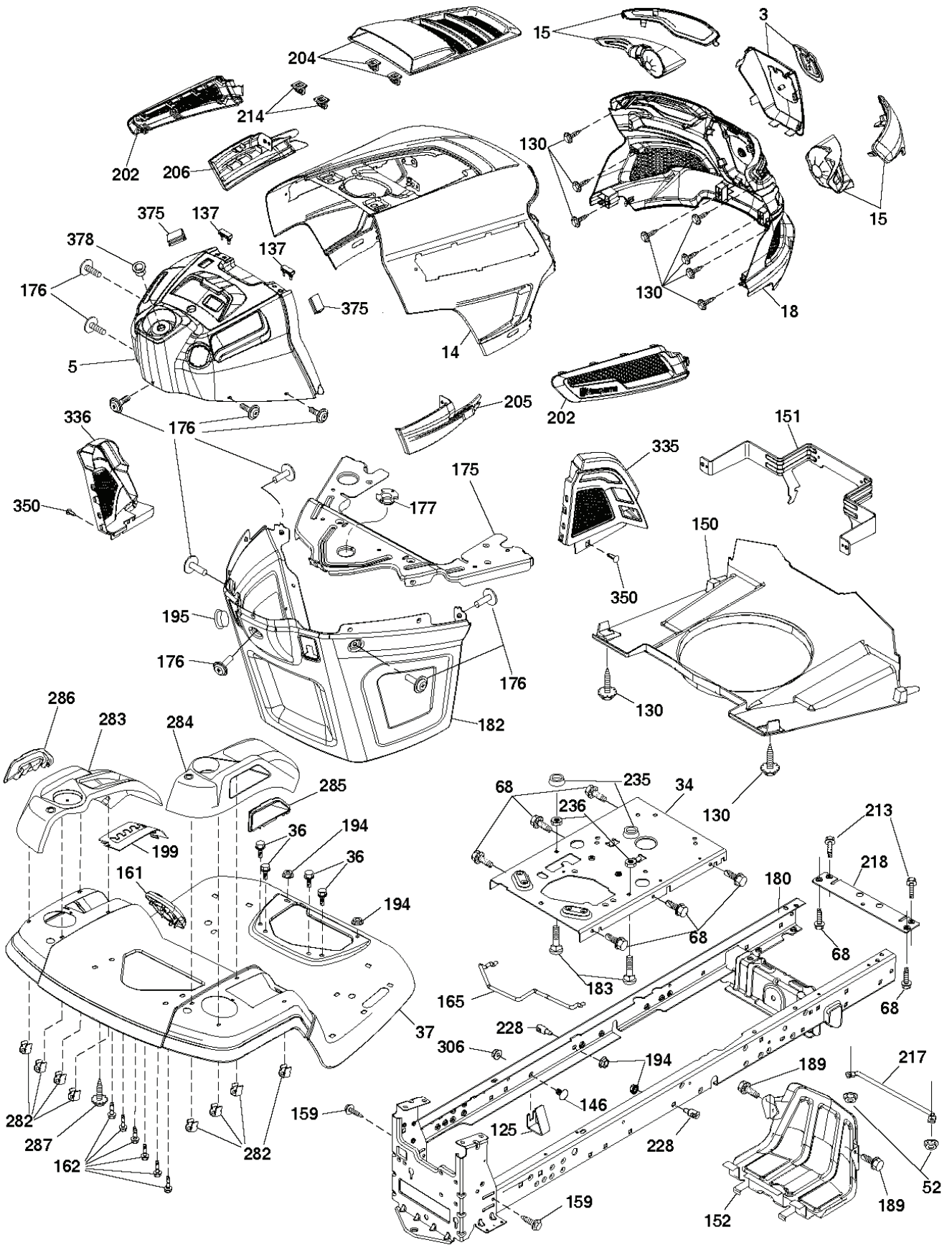
For all EXCEPT 96043031400



REF.	PART NO.	DESCRIPTION	REMARK	QTY.	KIT
3	581056301	LOGOTYPE		1	
5	583536401	DASHBOARD	For 96041044000	1	
5	532438964	DASH	For 96041043000	1	
5	585529805	DASHBOARD	For 96041042200	1	
5	585529806	DASH	For 96041036800, 96041036801, 96041036802, 96041036803	1	
14	532441267	HOOD		1	
15	532441428	LENS		1	
18	532441368	GRILLE	For 96041036800, 96041036801, 96041036802, 96041036803, 96041042200, 96041044000	1	
18	532439421	GRILLE	For 96041043000, 96041044000	1	
25	532441427	LENS		1	
34	580910801	CHASSIS		1	
36	817060512	SCREW		1	
37	532441206	FENDER		1	
52	596040501	LOCK NUT		1	
58	532412280	PLATE		1	
68	596030701	SCREW	For 96041043000, 96041044000	1	
68	539990858	SCREW	For 96041042200	1	
68	817490508	SCREW	For 96041036800, 96041036801, 96041036802, 96041036803	1	
88	597334801	BUMPER ASSY	For 96041044000	1	
125	581684801	CLIP	For 96041042200, 96041043000, 96041044000	1	
130	532416358	SCREW	For 96041036800, 96041036801, 96041036802, 96041036803, 96041042200	1	
130	596321701	SCREW	For 96041043000, 96041044000	1	
137	532407590	BUMPER		1	
138	532439747	TOOL HOLDER		1	
146	581857901	BOLT	For 96041042200, 96041043000, 96041044000	1	
150	532407537	AIR CONDUCTOR	For 96041043000, 96041044000	1	
150	532406662	AIR DUCT	For 96041036800, 96041036801, 96041036802, 96041036803, 96041042200	1	
151	532407807	BRACKET		1	
152	532199535	SHIELD		1	
159	817000612	SCREW		1	
162	596134101	SCREW		1	
175	532199472	PLATE		1	
176	532400776	SCREW		1	
177	532195228	BUSHING		1	
180	532415063	FRAME		1	
181	532404796	BUSHING	For 96041036800	1	
181	532439746	BUSHING	For 96041036801, 96041036802, 96041036803, 96041042200, 96041043000, 96041044000	1	
182	532407176	DASH		1	
183	595305701	SCREW		1	
184	587554101	PLUG	For 96041036800, 96041036801, 96041036802, 96041036803, 96041042200	1	
189	817000512	SCREW		1	
191	532416501	INSERT		1	
194	596135701	LOCK NUT		1	
195	532439976	PLUG	For 96041036800, 96041036801, 96041036802, 96041036803	1	

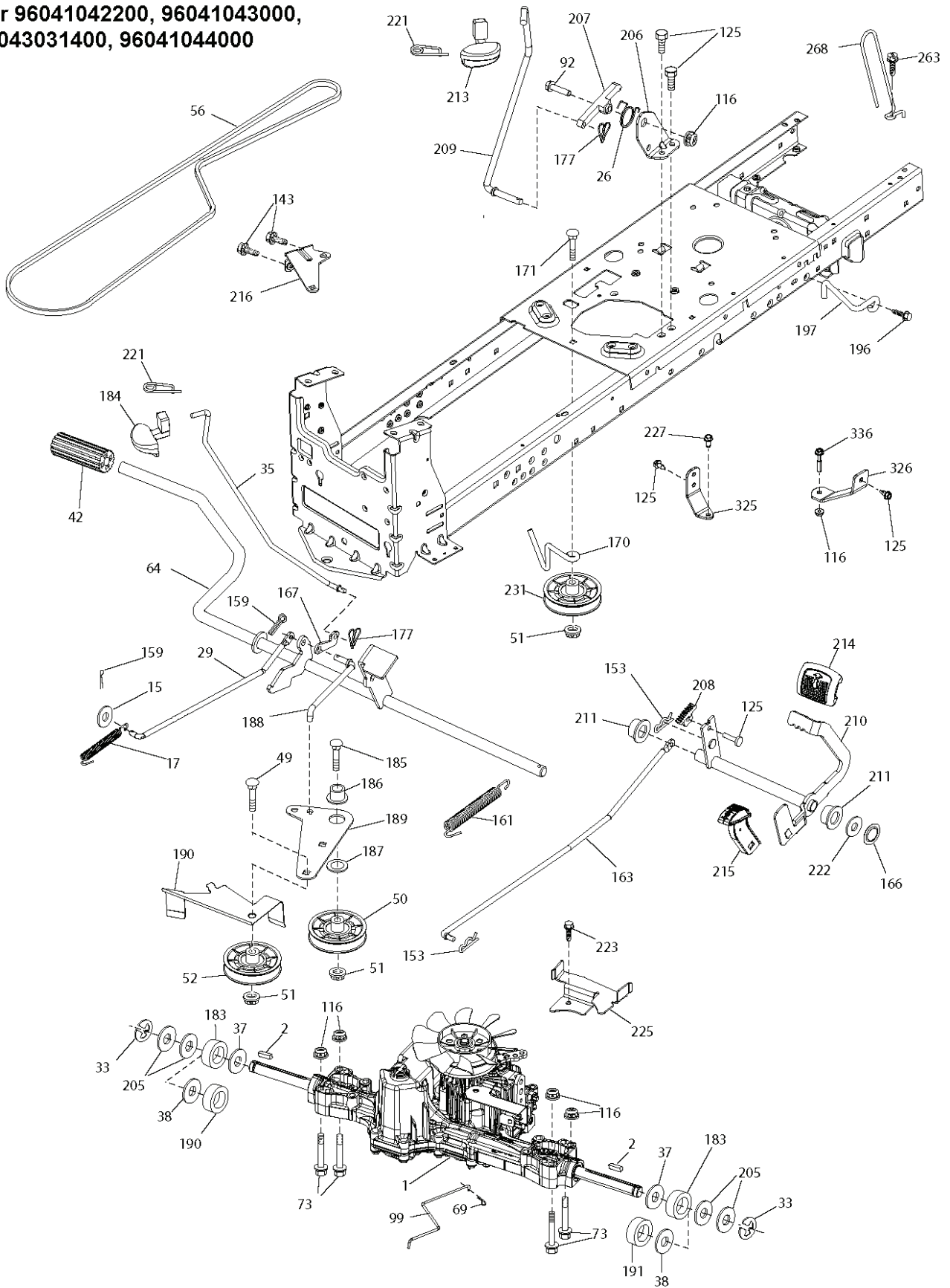
REF.	PART NO.	DESCRIPTION	REMARK	QTY.	KIT
196	532439647	CONSOLE		1	
201	819132016	WASHER	For 96041036800. 96041036801. 96041036802. 96041036803. 96041042200	1	
202	532441342	COVER		1	
203	532441343	COVER		1	
204	532441375	COVER		1	
205	532441344	TRIM		1	
206	532441345	TRIM		1	
213	539976934	SCREW	For 96041036800. 96041036801. 96041036802. 96041036803. 96041042200	1	
213	596030501	SCREW	For 96041043000. 96041044000	1	
214	532199145	CLIP		1	
217	532409167	ROD		1	
218	532196395	PLATE		1	
228	593824001	STUD		1	
235	532406129	SPACER	For 96041036800. 96041036801. 96041036802. 96041036803. 96041042200	1	
235	596564201	SPACER	For 96041043000. 96041044000	1	
236	873930500	NUT		1	
238	532441374	SPARE PARTS		1	
239	532404883	CLIP		1	
287	817600406	SCREW		1	
297	532406665	INSERT		1	
303	587493402	SHIELD	For 96041036800. 96041036801. 96041036802. 96041036803	1	
303	589008102	GUARD	For 96041042200	1	
304	587865102	SHIELD	For 96041036800. 96041036801. 96041036802. 96041036803	1	
304	589009002	GUARD	For 96041042200	1	
306	873900600	NUT	For 96041042200. 96041043000. 96041044000	1	
307	587494601	SHIELD	For 96041036800. 96041036801. 96041036802. 96041036803. 96041042200	1	
308	532171877	BOLT	For 96041036800. 96041036801. 96041036802. 96041036803. 96041042200	1	
312	589006702	COVER	For 96041036800. 96041036801. 96041036802. 96041036803. 96041042200	1	
375	586908201	BUMPER	For 96041036800. 96041036801. 96041036802. 96041036803. 96041042200. 96041044000	1	
376	589458701	MOUNT	For 96041036803. 96041042200. 96041043000. 96041044000	1	
377	589455301	SCREW	For 96041036803. 96041042200. 96041043000. 96041044000	1	

For 96043031400



REF.	PART NO.	DESCRIPTION	REMARK	QTY.	KIT
3	597688201	COVER		1	
5	590748823	DASHBOARD		1	
14	532441177	HOOD		1	
15	597867801	SERVICE KIT	LH	1	
18	597407101	GRILLE		1	
34	580910801	CHASSIS		1	
36	817060512	SCREW		1	
37	532441178	FENDER		1	
52	596040501	LOCK NUT		1	
68	596030701	SCREW		1	
125	581684801	CLIP		1	
130	596321701	SCREW		1	
137	532407590	BUMPER		1	
146	581857901	BOLT		1	
150	532439921	AIR DUCT		1	
151	532436670	BRACKET		1	
152	532439870	SHIELD		1	
159	817000612	SCREW		1	
161	532439781	FUEL		1	
162	596134101	SCREW		1	
165	532196826	BRACKET		1	
175	590607702	CROSS MEMBER		1	
176	532400776	SCREW		1	
177	532195228	BUSHING		1	
180	532195457	CHASSIS		1	
182	532406859	DASH		1	
183	595305701	SCREW		1	
189	817000512	SCREW		1	
194	596135701	LOCK NUT		1	
195	532404137	PLUG		1	
199	532413485	PLATE		1	
202	597867701	SERVICE KIT	RH	1	
204	597408001	VENT		1	
205	532439730	TRIM	RH	1	
206	532439729	TRIM	LH	1	
213	596030501	SCREW		1	
214	532199145	CLIP		1	
217	532409167	ROD		1	
218	532196395	PLATE		1	
228	593824001	STUD	replaces 532195161	1	
228	532195161	STUD		1	
235	596564201	SPACER		1	
236	873930500	NUT		1	
282	532414110	CLIP		1	
283	532439861	CONSOLE		1	
284	532439823	CONSOLE		1	
284	532439861	CONSOLE		1	
285	532416315	CONSOLE		1	
286	532416317	CONSOLE		1	
287	817600406	SCREW		1	
306	873900600	NUT		1	
335	532448204	COVER		1	
336	532445309	COVER		1	
350	532445143	CLIP		1	
375	586908201	BUMPER		1	
378	590849801	BUSHING		1	

For 96041042200, 96041043000,  
96043031400, 96041044000

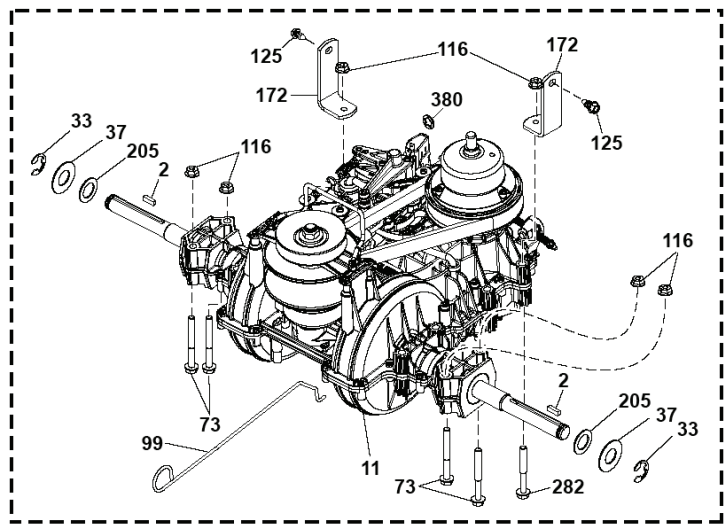
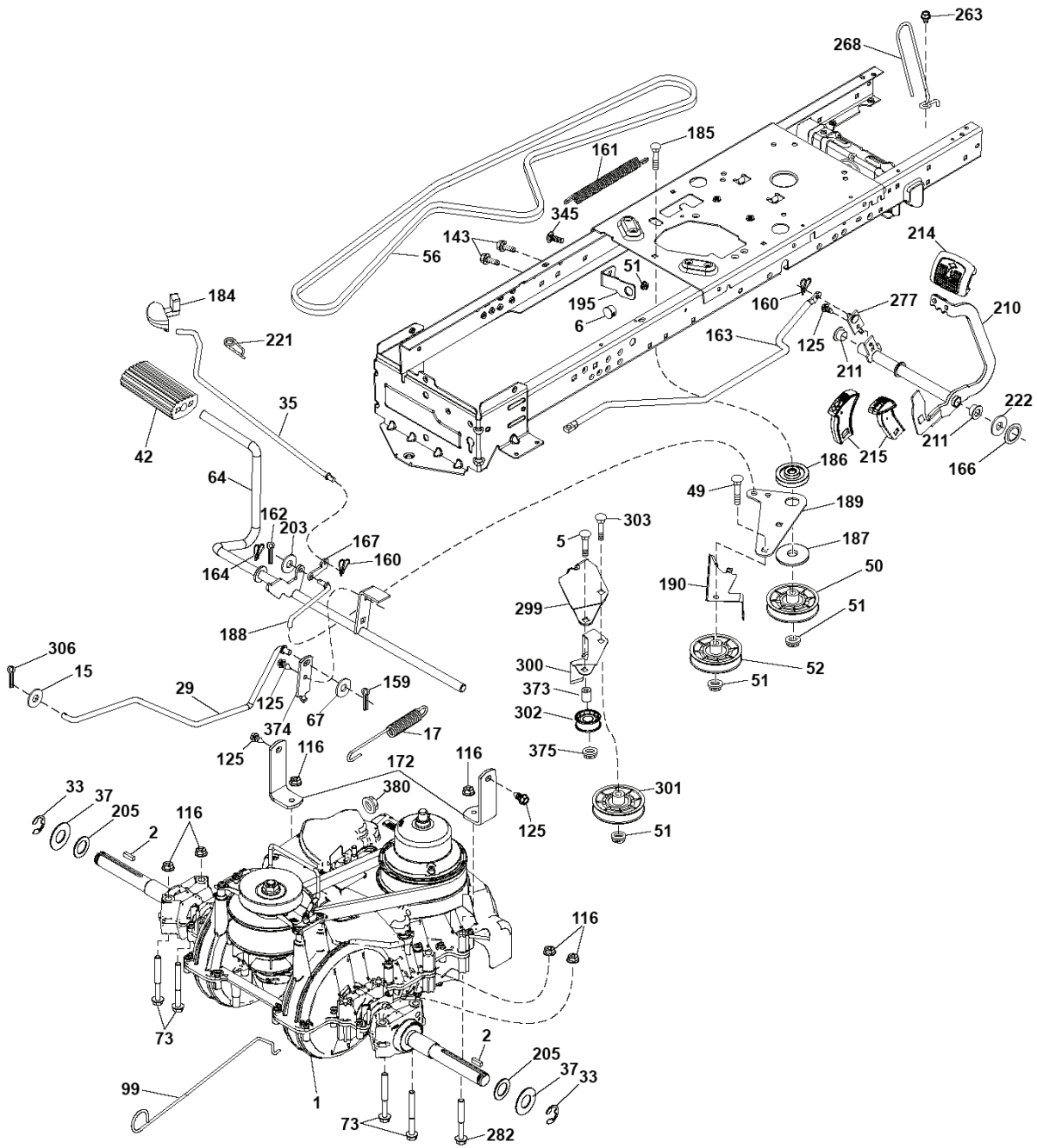




REF.	PART NO.	DESCRIPTION	REMARK	QTY.	KIT
1	900000002	DUMMY PART	TRANSAXLE TUFFTORQ K46 BT (426120)	1	
2	532123583	KEY		1	
15	596565301	WASHER	For 96041042200, 96043031400, 96041043000, 96041044000	1	
15	819131316	WASHER		1	
17	532413678	BRAKE SPRING		1	
26	532199679	SPRING	For 96043031400	1	
29	532403806	ROD		1	
33	812000001	RETAINER RING		1	
35	590605902	ROD	For 96043031400	1	
35	596874801	ROD	For 96041043000, 96041044000	1	
35	532401031	ROD	For 96041042200	1	
37	532188967	WASHER	For 96041042200, 96041044000, 96041043000	1	
38	532188967	WASHER	For 96041042200, 96041044000, 96041043000	1	
42	532008883	PEDAL		1	
49	596136201	BOLT	For 96041043000, 96043031400, 96041044000, 96041042200	1	
49	872110614	BOLT		1	
50	532194327	PULLEY		1	
51	873900600	NUT		1	
52	532194326	PULLEY	For 96043031400	1	
56	592855201	DRIVE BELT		1	
64	532197865	SHAFT		1	
69	532423303	HAIR PIN COTTER		1	
73	596136501	BOLT		1	
92	595305701	SCREW	For 96043031400	1	
99	582404501	ROD		1	
116	596135701	LOCK NUT	For 96041043000, 96043031400, 96041044000	1	
116	873900500	NUT	For 96041042200	1	
125	817000512	SCREW		1	
125	598662601	BOLT	For 96041043000	1	
143	596030701	SCREW	For 96041043000, 96043031400, 96041044000, 96041042200	1	
143	539990858	SCREW		1	
153	532004497	CLIP		1	
159	596029501	PIN		1	
161	532105709	SPRING		1	
163	593861001	ROD		1	
166	532429164	NUT		1	
167	532405257	LATCH		1	
170	532194322	KEEPER	For 96043031400	1	
170	532413430	BELT GUIDE	For 96041042200, 96041043000, 96041044000	1	
171	596136301	BOLT	For 96043031400	1	
171	872110622	BOLT	For 96041042200, 96041043000, 96041044000	1	
177	587225301	PIN	For 96041043000, 96041044000, 96043031400	1	
177	596029401	RETAINER	For 96041042200	1	
183	532137057	SPACER	For 96041042200	1	
184	532411484	CONTROL	For 96041042200, 96041043000, 96041044000	1	
184	587653701	HANDLE	For 96043031400	1	
185	872110622	BOLT	For 96041042200, 96041043000, 96041044000	1	
186	532194321	SPACER		1	
187	596135501	WASHER		1	
188	582217001	LINK		1	
189	532194317	PLATE		1	
190	532194318	BELT GUIDE		1	
191	532137057	SPACER	For 96041042200	1	
196	817000616	SCREW	For 96041044000	1	
197	585658602	BOSS	For 96041044000	1	

REF.	PART NO.	DESCRIPTION	REMARK	QTY.	KIT
205	532121748	WASHER		1	
206	532448596	BRACKET	For 96043031400	1	
207	587031402	LATCH	For 96043031400	1	
208	596564101	GEAR	For 96043031400	1	
209	590527802	ROD	For 96043031400	1	
210	532400980	PEDAL ARM		1	
211	532120183	BEARING		1	
213	532403119	CONTROL	For 96043031400	1	
214	532421263	PAD		1	
215	586606502	PEDAL		1	
216	532196131	BRACKET		1	
221	532403187	SPRING		1	
222	879212010	WASHER		1	
223	598662601	BOLT	For 96041043000	1	
225	532403319	BELT GUIDE		1	
227	596135901	BOLT	For 96041043000, 96043031400, 96041044000	1	
227	817490512	SCREW	For 96041042200	1	
231	532194326	PULLEY	For 96043031400	1	
231	532407287	PULLEY	For 96041042200, 96041043000, 96041044000	1	
263	817000612	SCREW	For 96041042200	1	
268	532182405	CARROS*RPLPAR 532169962622	For 96041042200	1	
325	585668502	BRACKET	For 96043031400	1	
325	586431201	BRACKET	For 96041043000, 96041042200, 96041044000	1	
325	586431202	BRACKET	For 96041043000, 96041042200, 96041044000	1	
326	585670802	BRACKET	For 96043031400	1	
326	586001102	BRACKET	For 96041042200, 96041044000, 96041043000	1	
336	587259602	BOLT		1	

For 96041036800, 96041036801, 96041036802, 96041036803

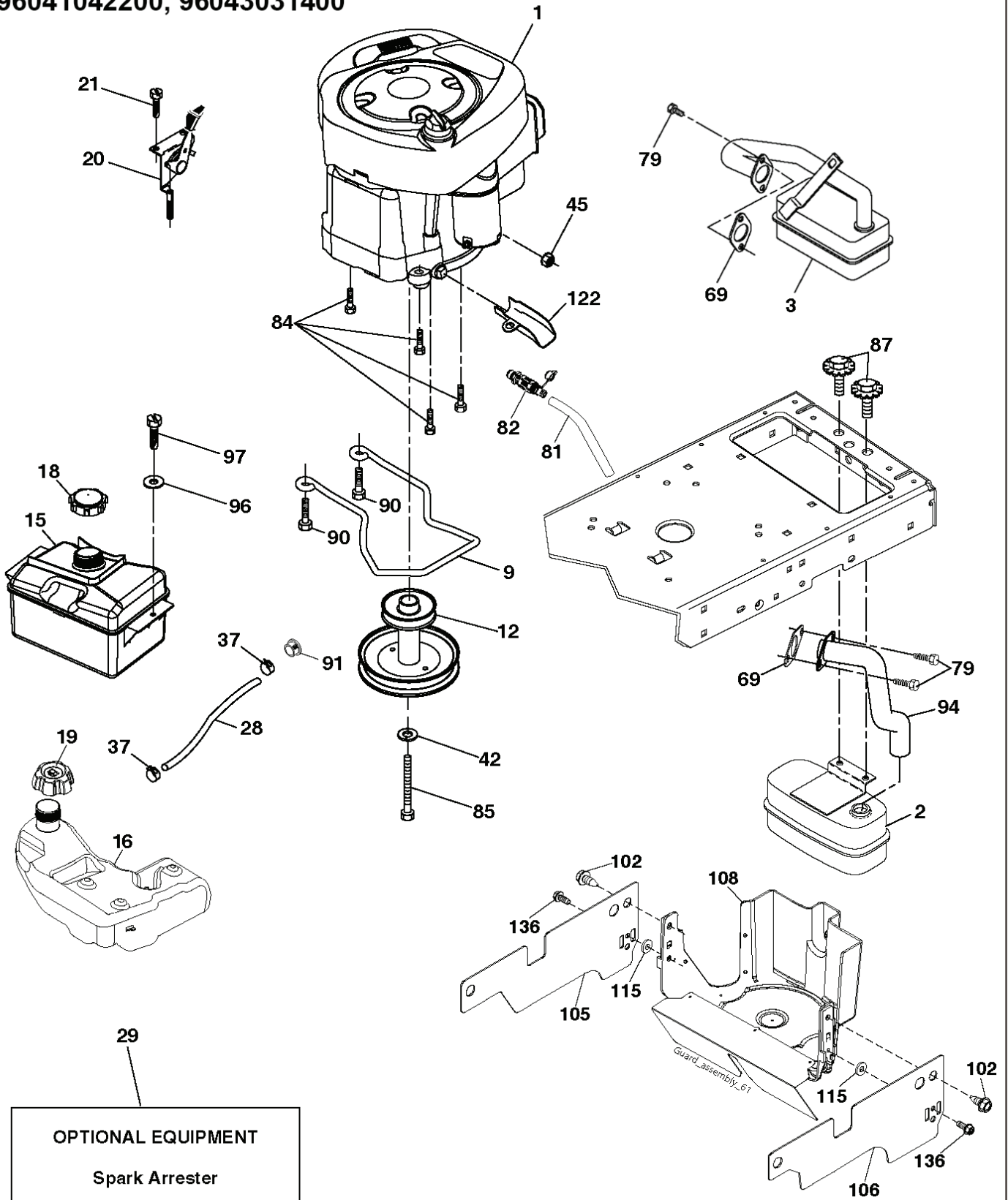


REF.	PART NO.	DESCRIPTION	REMARK	QTY.	KIT
1	900000002	DUMMY PART	For 96041036800, 96041036801. TRANSAXLE. VARIATOR SD PEDAL (580486201).	1	
2	532123583	KEY		1	
5	874760636	BOLT		1	
6	532124028	BUSHING		1	
11	900000002	DUMMY PART	For 96041036800, 96041036801. TRANSAXLE. VARIATOR SD PEDAL (580486201).	1	
15	819131316	WASHER		1	
17	501487101	SPRING		1	
29	584823101	ROD		1	
33	812000001	RETAINER RING		1	
35	532401031	ROD		1	
37	532188967	WASHER		1	
42	532124872	PEDAL RUBBER		1	
49	872110614	BOLT		1	
50	532194327	PULLEY		1	
51	873900600	NUT		1	
52	532194326	PULLEY		1	
56	581603801	DRIVE BELT		1	
64	532448353	SHAFT	For 96041036800, 96041036801, 96041036802	1	
64	589671401	SHAFT	For 96041036803	1	
67	582580101	WASHER		1	
73	595316601	BOLT	For 96041036803	1	
73	596136501	BOLT	For 96041036800, 96041036801, 96041036802	1	
99	532435935	ROD		1	
116	873900500	NUT		1	
125	817000512	SCREW		1	
143	817490508	SCREW		1	
159	876020412	SPLIT PIN	For 96041036802, 96041036803	1	
160	532169484	PIN	For 96041036800, 96041036801	1	
161	532105709	SPRING		1	
162	876020412	SPLIT PIN	For 96041036802, 96041036803	1	
163	583971301	ROD		1	
164	532169484	PIN	For 96041036800, 96041036801	1	
166	532429164	NUT		1	
167	532405257	LATCH		1	
172	583974201	STRAP		1	
184	532411484	CONTROL		1	
185	872110622	BOLT		1	
186	532194321	SPACER		1	
187	819133210	WASHER		1	
188	582217001	LINK		1	
189	532194317	PLATE		1	
190	532194318	BELT GUIDE		1	
195	581504601	BRACKET		1	
203	819111116	WASHER		1	
205	532121748	WASHER		1	
210	532448270	PEDAL	For 96041036800, 96041036802	1	
210	588921001	PEDAL	For 96041036801, 96041036803	1	
211	532120183	BEARING		1	
214	532421263	PAD		1	
215	532448254	PAD	For 96041036800, 96041036801	1	
215	591100101	PEDAL	For 96041036802, 96041036803	1	
221	532403187	SPRING		1	
222	879212010	WASHER		1	
263	817000612	SCREW		1	
268	532182402	PROTECTOR		1	
277	532448500	LINK		1	
282	874490548	BOLT		1	
299	532415683	BRACKET		1	
300	532415681	KEEPER		1	
301	532415680	PULLEY		1	
302	581420501	PULLEY		1	
303	872110618	BOLT		1	

---

REF.	PART NO.	DESCRIPTION	REMARK	QTY.	KIT
306	876020416	SPLIT PIN		1	
345	872110606	BOLT		1	
373	581461801	SPACER		1	
374	581475201	ARM		1	
375	873680600	NUT		1	
380	584287701	NUT	For 96041036800. 96041036801	1	
380	582478601	NUT	For 96041036802. 96041036803	1	

For 96041036800, 96041036801, 96041036802, 96041036803,  
96041042200, 96043031400



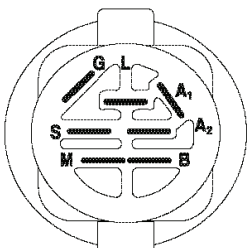
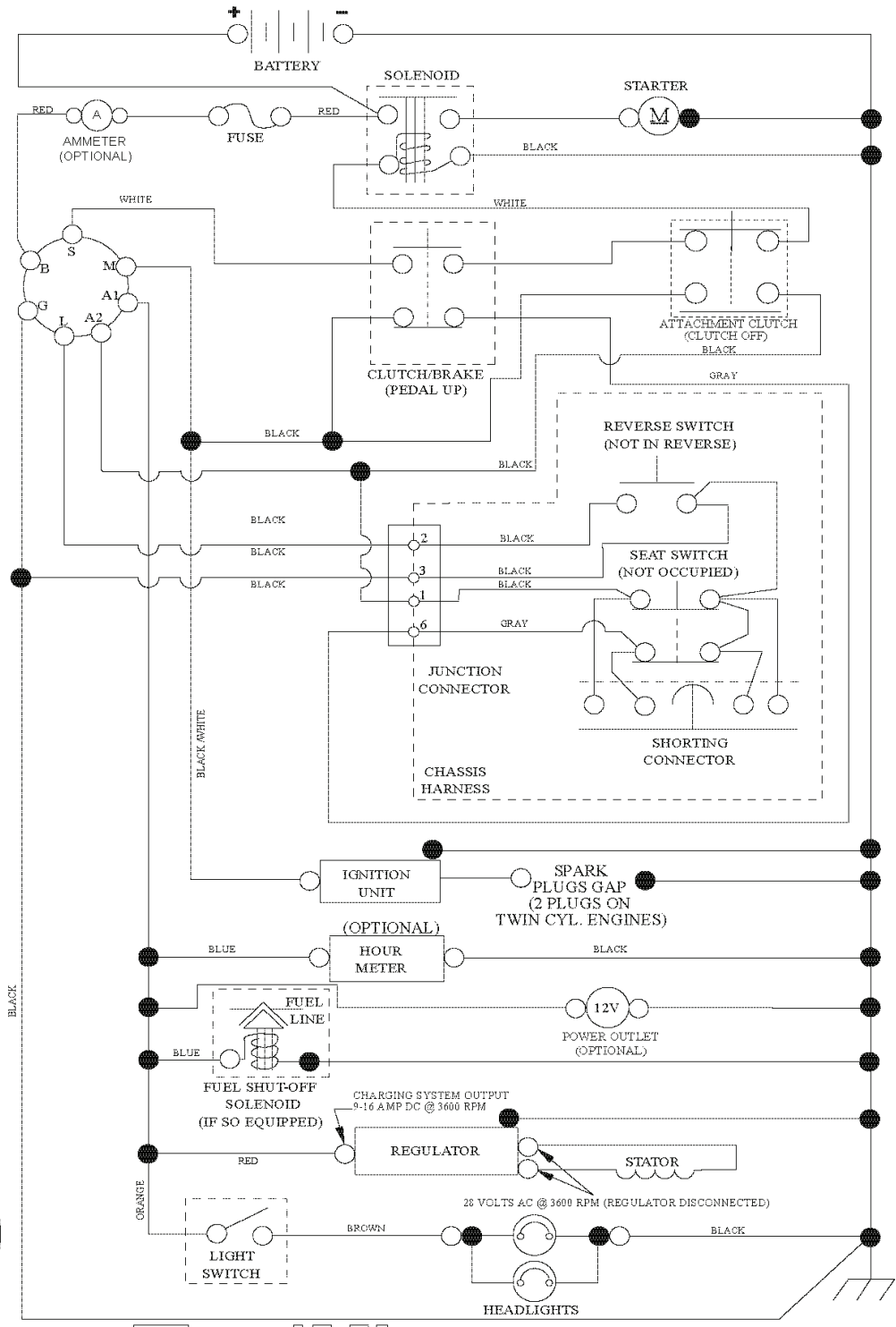
REF.	PART NO.	DESCRIPTION	REMARK	QTY.	KIT
1	900000002	DUMMY PART	For 96041036800, 96041036801, 96041036802, 96041036803. Engine Briggs Model No. 31R577- 0027-B1 (587333501).	1	
2	532188655	MUFFLER	For 96041036802, 96041036803, 96041042200	1	
2	590645301	MUFFLER	For 96043031400	1	
3	532137352	MUFFLER	For 96041036800, 96041036801	1	
9	501832602	KEEPER		1	
9	596501502	KEEPER		1	
12	586478501	PULLEY		1	
15	581289901	TANK	Fits 2.75" filler neck. For 96041036800, 96041036801, 96041036802, 96041036803, 96041042200	1	
16	532438031	FUEL TANK	Fits 2.75" filler neck. For 96043031400	1	
18	581075501	FUEL CAP ASSY	Fits 2.75" filler neck. For 96041036800, 96041036801, 96041036802, 96041036803, 96041042200	1	
18	529989702	CAP	Fits 2.00" filler neck	1	
19	585124801	FUEL CAP ASSY	Fits 2.75" filler neck. For 96043031400	1	
20	587242601	THROTTLE		1	
20	587242604	THROTTLE	For 96043031400	1	
21	596321701	SCREW		1	
28	532401135	LINE	For 96043031400	1	
28	587044820	HOSE	For 96041036800, 96041036801, 96041036802, 96041036803, 96041042200	1	
29	532137180	SPARK ARRESTER		1	
37	532123487	HOSE CLAMP		1	
42	596238901	WASHER		1	
45	586668901	NUT	For 96041036800, 96041036801, 96041036802, 96041036803, 96041042200	1	
45	596133601	LOCK NUT	For 96043031400	1	
69	532165291	GASKET		1	
79	596134201	SCREW		1	
81	532148456	TUBE	For 96043031400	1	
82	532428287	PLUG	For 96043031400	1	
84	817060620	SCREW		1	
85	501606501	BOLT		1	
87	532171877	BOLT	For 96041036802, 96041036803, 96041042200, 96043031400	1	
90	817000616	SCREW		1	
91	532187495	BUSHING	For 96043031400	1	
94	581880901	TUBE	For 96041036802, 96041036803, 96041042200, 96043031400	1	
96	819091416	WASHER	For 96041036800, 96041036801, 96041036802, 96041036803, 96041042200	1	
97	817670412	SCREW	For 96041036800, 96041036801, 96041036802, 96041036803, 96041042200	1	
102	817000512	SCREW	For 96041036800, 96041036801, 96041036802, 96041036803, 96041042200	1	

REF.	PART NO.	DESCRIPTION	REMARK	QTY.	KIT
105	501267202	SAFETY GUARD	For 96041036800, 96041036801, 96041036802, 96041036803, 96041042200	1	
106	501268202	SAFETY GUARD	For 96041036800, 96041036801, 96041036802, 96041036803, 96041042200	1	
108	587179509	COVER	For 96041036800, 96041036801, 96041036802, 96041036803, 96041042200	1	
115	532431761	RETAINER	For 96041036800, 96041036801, 96041036802, 96041036803, 96041042200	1	
122	532421922	EXTENSION PIPE	For 96041036800, 96041036801, 96041036802, 96041036803, 96041042200	1	
136	532421756	SCREW	For 96041036800, 96041036801, 96041036802, 96041036803, 96041042200	1	



SCH10

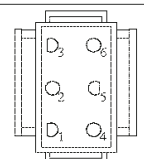
For 960410430



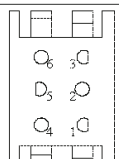
IGNITION SWITCH

POSITION	CIRCUIT	"MAKE"
OFF	M+G+A1	
RUN/OVERRIDE	B+A1	
RUN	B+A1	L+A2
START	B+S+A1	

03107



CHASSIS HARNESS CONNECTOR (MATING SIDE)



DASH HARNESS CONNECTOR (MATING SIDE)

WIRING INSULATED CLIPS  
NOTE: IF WIRING INSULATED CLIPS WERE REMOVED FOR SERVICING OF UNIT, THEY SHOULD BE RE-INSTALLED TO PROPERLY SECURE YOUR WIRING.

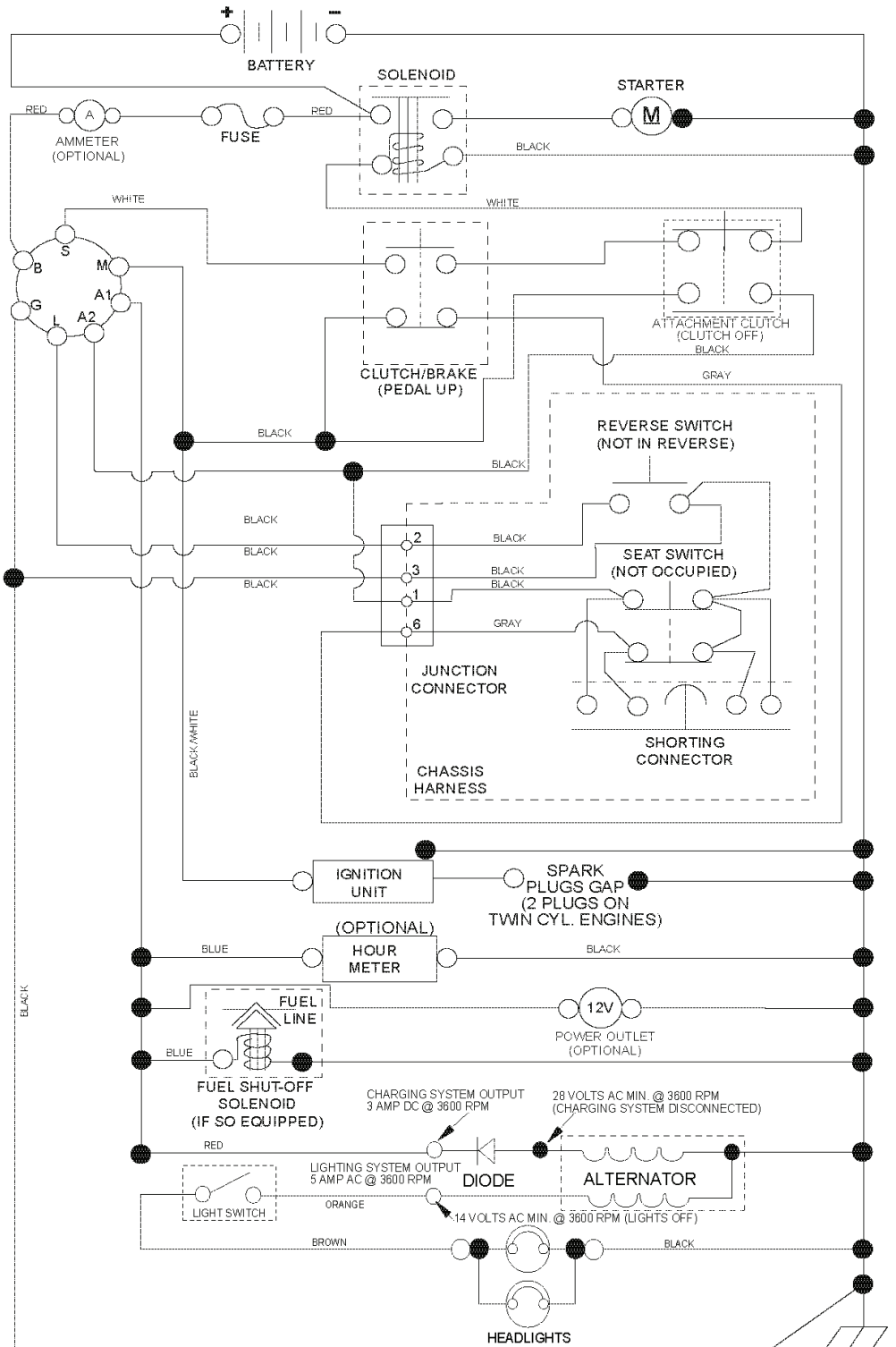
NON-REMOVABLE CONNECTIONS

REMOVABLE CONNECTIONS

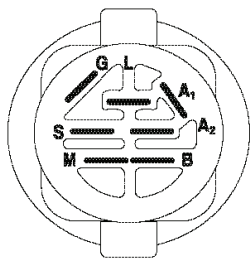
---

REF.	PART NO.	DESCRIPTION	REMARK	QTY.	KIT
1	900000002	DUMMY PART		1	

# For 960430314

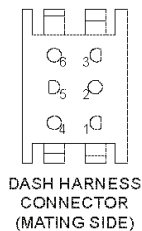
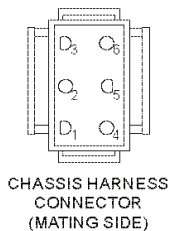


**NOTE**  
YOUR TRACTOR IS EQUIPPED WITH A SPECIAL ALTERNATOR SYSTEM. THE LIGHTS ARE NOT CONNECTED TO THE BATTERY, BUT HAVE THEIR OWN ELECTRICAL SOURCE. BECAUSE OF THIS, THE BRIGHTNESS OF THE LIGHTS WILL CHANGE WITH ENGINE SPEED. AT IDLE THE LIGHTS WILL DIM. AS THE ENGINE IS SPEEDED UP, THE LIGHTS WILL BECOME THEIR BRIGHTEST.



IGNITION SWITCH

POSITION	CIRCUIT	"MAKE"
OFF	M+G+A1	
RUN/OVERRIDE	B+A1	
RUN	B+A1	L+A2
START	B+S+A1	



WRING INSULATED CLIPS  
NOTE: IF WRING INSULATED CLIPS WERE REMOVED FOR SERVICING OF UNIT, THEY SHOULD BE RE-INSTALLED TO PROPERLY SECURE YOUR WRING.

NON-REMOVABLE CONNECTIONS

REMOVABLE CONNECTIONS

---

REF.	PART NO.	DESCRIPTION	REMARK	QTY.	KIT
1	900000002	DUMMY PART		1	